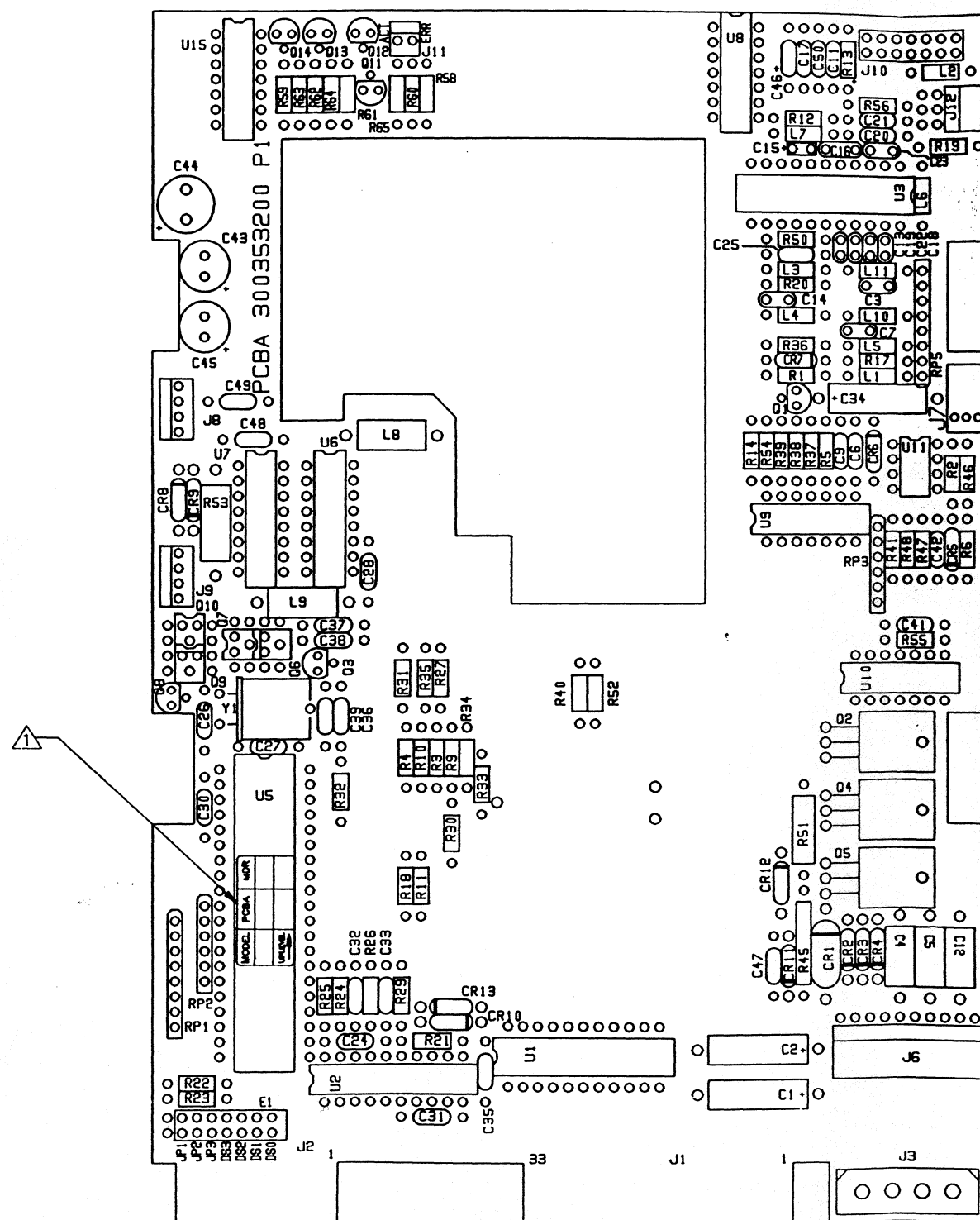


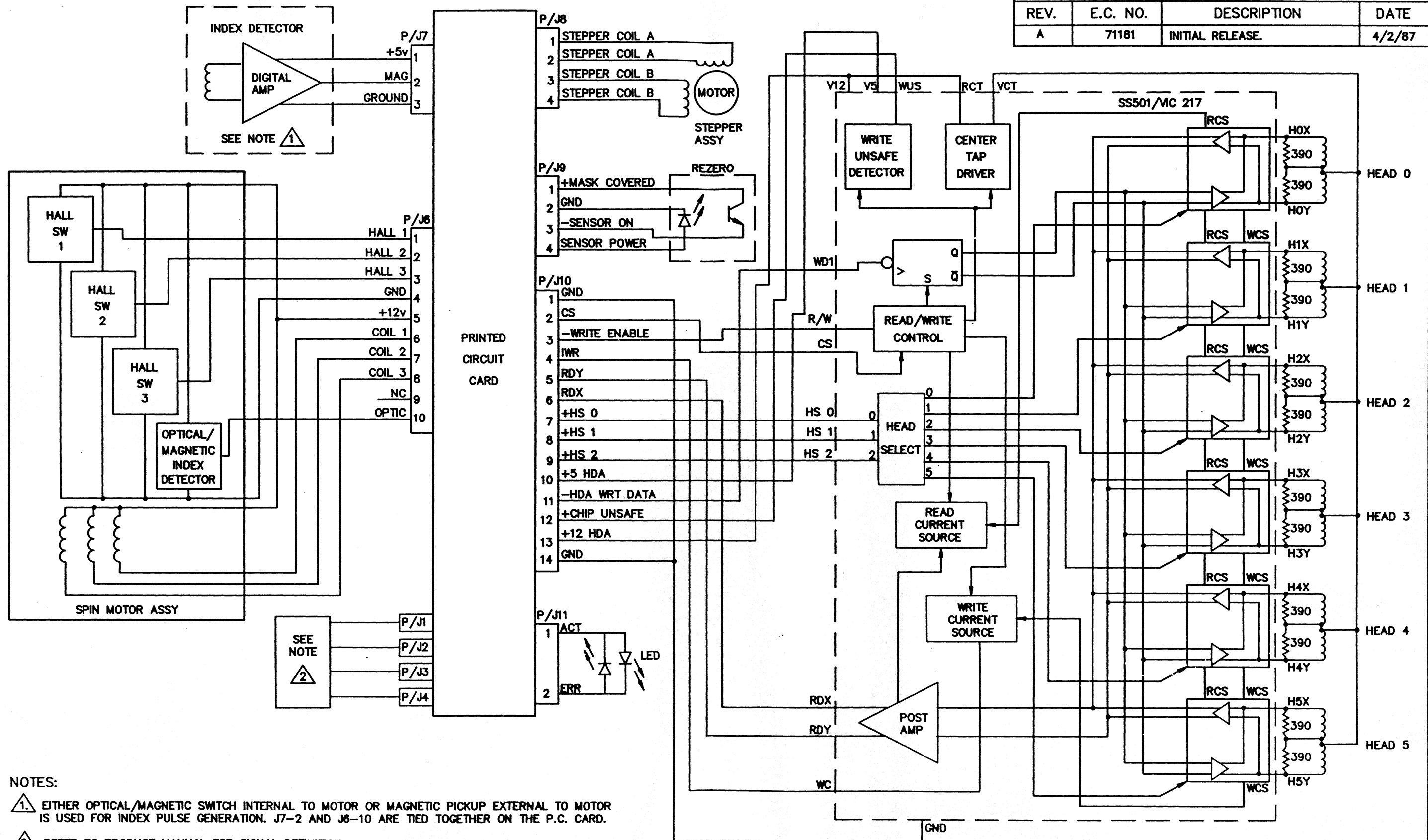
REVISIONS			
REV.	E.C. NO.	DESCRIPTION	DATE
A	71181	INITIAL RELEASE.	4/3/87



△ ATTACH PCBA CONFIGURATION LABEL TO MICROPROCESSOR AT U5. LABEL SHOULD BE CENTERED ON IC PACKAGE AND TEXT SHOULD BE ORIENTED AS SHOWN. PRESS IN FIRMLY.

Figure 10-1  
ASSEMBLY DRAWING

REVISIONS			
REV.	E.C. NO.	DESCRIPTION	DATE
A	71181	INITIAL RELEASE.	4/2/87



NOTES:

1. EITHER OPTICAL/MAGNETIC SWITCH INTERNAL TO MOTOR OR MAGNETIC PICKUP EXTERNAL TO MOTOR IS USED FOR INDEX PULSE GENERATION. J7-2 AND J6-10 ARE TIED TOGETHER ON THE P.C. CARD.

2. REFER TO PRODUCT MANUAL FOR SIGNAL DEFINITION.

Figure 10-2  
HDA SCHEMATIC

