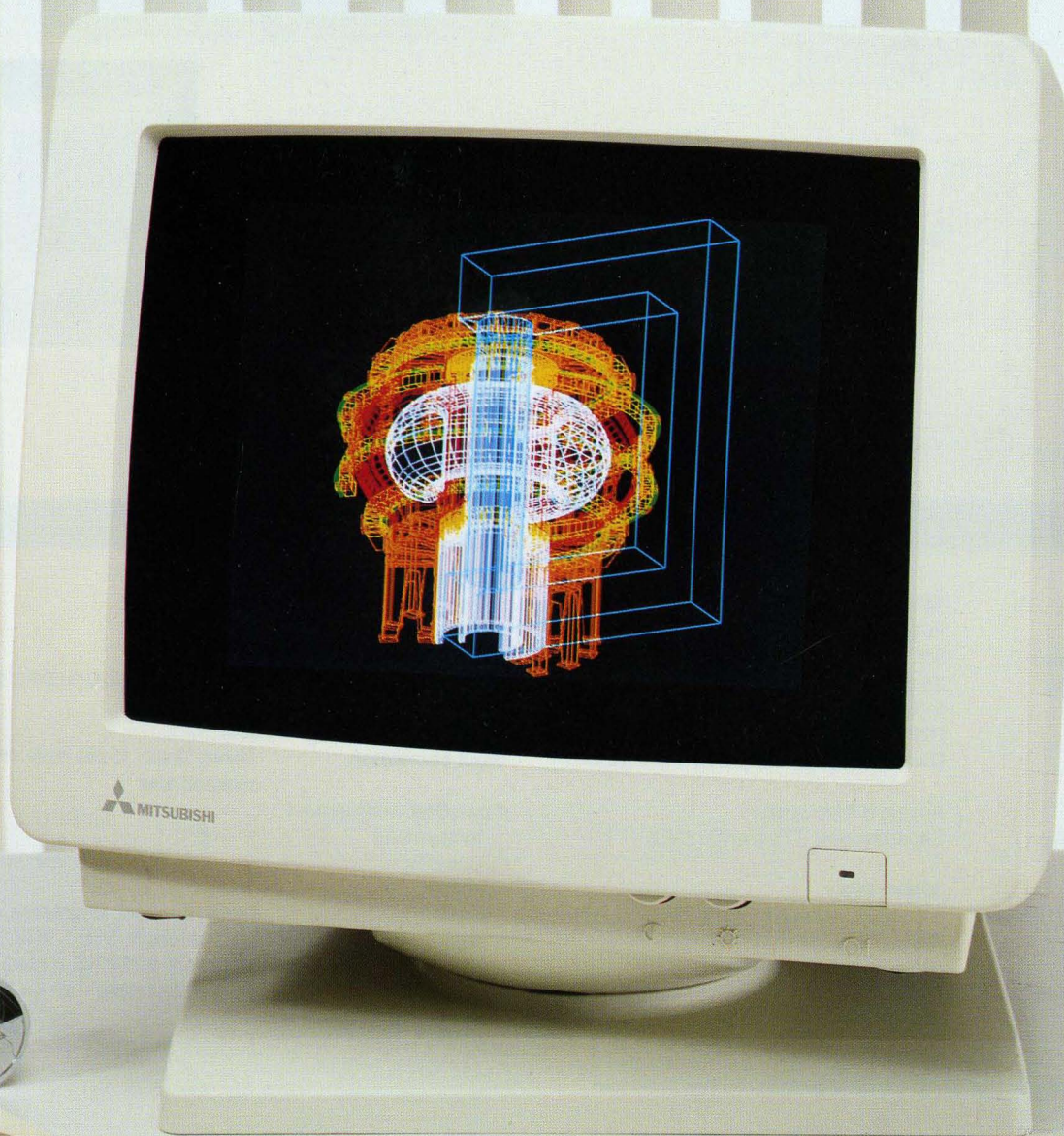


 **MITSUBISHI**
COLOR DISPLAY FOR VGA AND MCGA

XC-1429C/XC-1449C

**FOR HIGH-QUALITY COLOR
GRAPHICS APPLICATIONS**



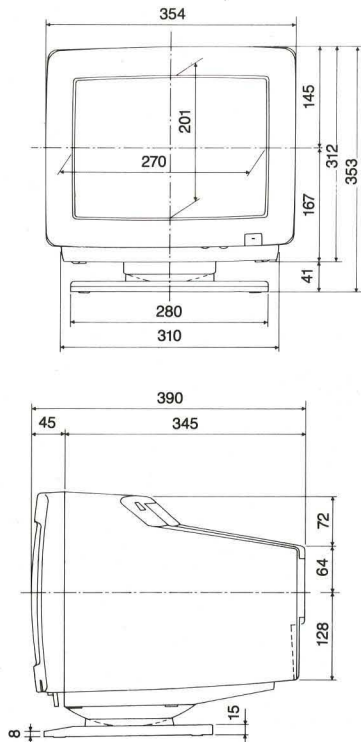
**IBM PS/2 VGA AND MCGA FULLY COMPATIBLE
FULL COLOR
0.28mm DOT PITCH
DIAMOND COATING**

CRT picture is simulated

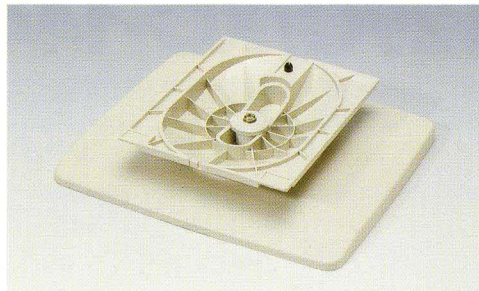
FEATURES

- Compatible with IBM Personal System/2-color displays
- Advanced color capability—display up to 256 colors on screen from a possible palette of 262,144 colors
- Analog, multimode color display with advanced text, graphics and imaging capability
- 14" high-resolution CRT with 0.28mm dot pitch
- XF-type gun for the strictest focusing requirements of high-density displays
- Compact, lightweight chassis

DIMENSIONS (mm)



TILT AND SWIVEL (OPTIONAL)



Model No. XS-0004



SPECIFICATIONS

CRT

Size	14" (13"V)
Gun	In-line
Deflection angle	90°
Neck diameter	29.1mm
Dot pitch	0.28mm
Phosphors	P22
Faceplate	Diamond coated (nonglare), tinted glass

Input signal

RGB video	Analog 0.7Vpp positive
Synchronization	Separate sync. TTL (\pm HD, \pm VD)

Video

Bandwidth	30MHz (typ.)
Resolution (H x V)	640 x 480, 640 x 400, 640 x 350, 720 x 400 pixels
Display size	240 x 180mm

Synchronization

Horizontal	31.5kHz
Vertical	60/70Hz

Convergence

Center	0.3mm (typ.)
Elsewhere	0.5mm (typ.)

Power supply

Voltage	120VAC \pm 10% (220/240VAC \pm 10%)
Frequency	50/60Hz \pm 1Hz
Power consumption	90W

Input connector

Shrink D-sub 15-pin male with 1.5mm shielded wire

Operating environment

Temperature	10 ~ 40°C
Humidity	10 ~ 95% RH without condensation

Controls

Front	Power, Contrast, Brightness
Back	Vertical Height (VH) 1, VH2, VH3, V linear, V centering, V hold

Options

Tilt & Swivel base -10° ~ $+15^{\circ}$ /360°

IBM PS/2 is a registered trademark of International Business Machines Corporation.