

ITEM	REQD.	DWG. NO.	NAME	SIZE
------	-------	----------	------	------

395-0060030

REQD.	SIZE	NEXT ASSEMBLY
I	B	395-0060026
		DAYTON

ITEM	DWG. NO.	DWG NAME	REVISION LEVEL	
			CURRENT DESIGN	ASSOC & CHG NO THIS MACHINE
1	189-1012325	SCHEMATIC - LOGIC MOI-5 ALPHANUMERIC & CONTROL	A	
2	189-1012418	SCHEMATIC - MOI-5 ALPHANUMERIC & CONTROL	A	
3	189-1011010	SCHEMATIC - LOGIC MOI-1 TEN KEY	A	

189-1011289

		K	2ER72596	MAN	12-72
		J	2ER72573	KD	8-74
		H	2ER71594	KD	7-74
		G	2ER72575	MN	12-73
		F	2ER72572	HD	10-73
	399	E	2ER72567	RF	9-73
	399	D	01ER34017	GH	11-72
MODULE CHG. NO.	UNIT CLASS	REV.	RELEASE NO.	DFTS	DATE

NOTES:

SIMILAR PARTS: _____
 CHANGES: (D) ITEM 1 WAS 189-1010601 (E) ITEM 1 WAS 189-1009388, REMOVED ITEMS 4 & 5, CHANGED CLASS FROM MOI & MO2-X-399 TO MOI-1 & MOI-5-399 (F) ITEM 1 WAS 189-1012293 (G) ITEM 1 WAS 189-1009388 (H) ITEM 1 WAS 189-1012325 (I) ITEM 2 WAS 189-1011289. (K) ITEM 1 WAS 189-1010601.

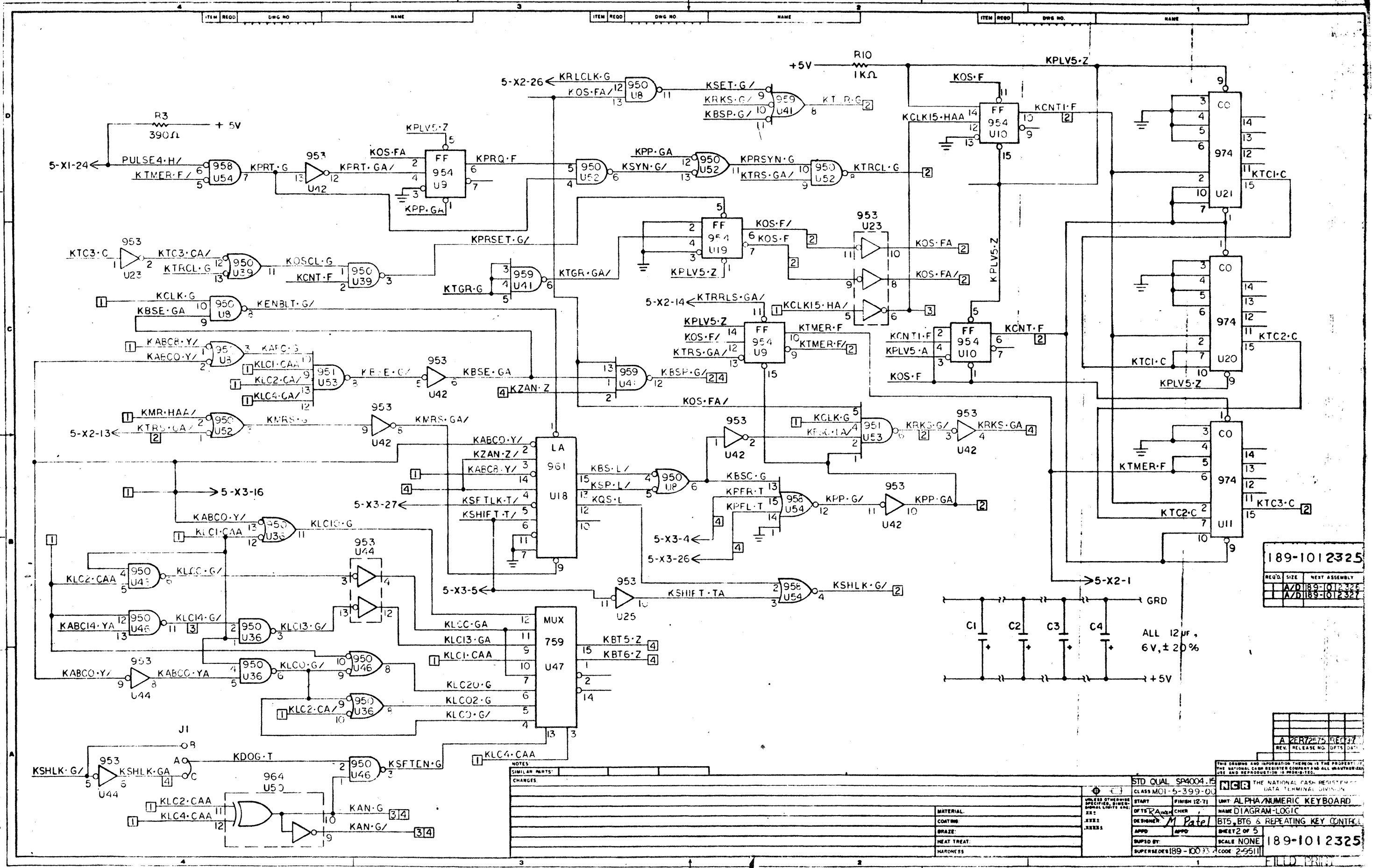
REPLACES DWG SAME NO DATED 10-27-72

THIS DRAWING AND INFORMATION THEREON IS THE PROPERTY OF THE NATIONAL CASH REGISTER COMPANY AND ALL UNAUTHORIZED USE AND REPRODUCTION IS PROHIBITED.

MATERIAL:	
COATING:	
BRAZE:	
HEAT TREAT:	
HARDNESS:	

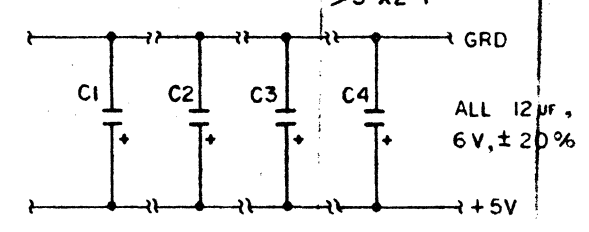
UNLESS OTHERWISE SPECIFIED, DIMENSIONAL LIMITS ARE:
 INCH NOMINAL
 .XX ± .02
 .XXX ± .005

STD. QUALITY SEE SP4004.15		CLASS: MOI-1 & MOI-5-399		THE NATIONAL CASH REGISTER CO. DAYTON, OHIO	
START:	FINISH: 10-27-72	UNIT:	SYSTEM 399 COMPUTER		
DFTS: GH	CHKR:	NAME:	INDEX-FIELD PRINT PACKAGE (KEYBOARD)		
DESIGNER: RC EIFORT		SHEET 1 OF 1	395-0060030		
APPD:	APPD:	SCALE:	FIELD PRINT		
SUPSD. BY:		CODE: 2-9507			
SUPERSEDES:					



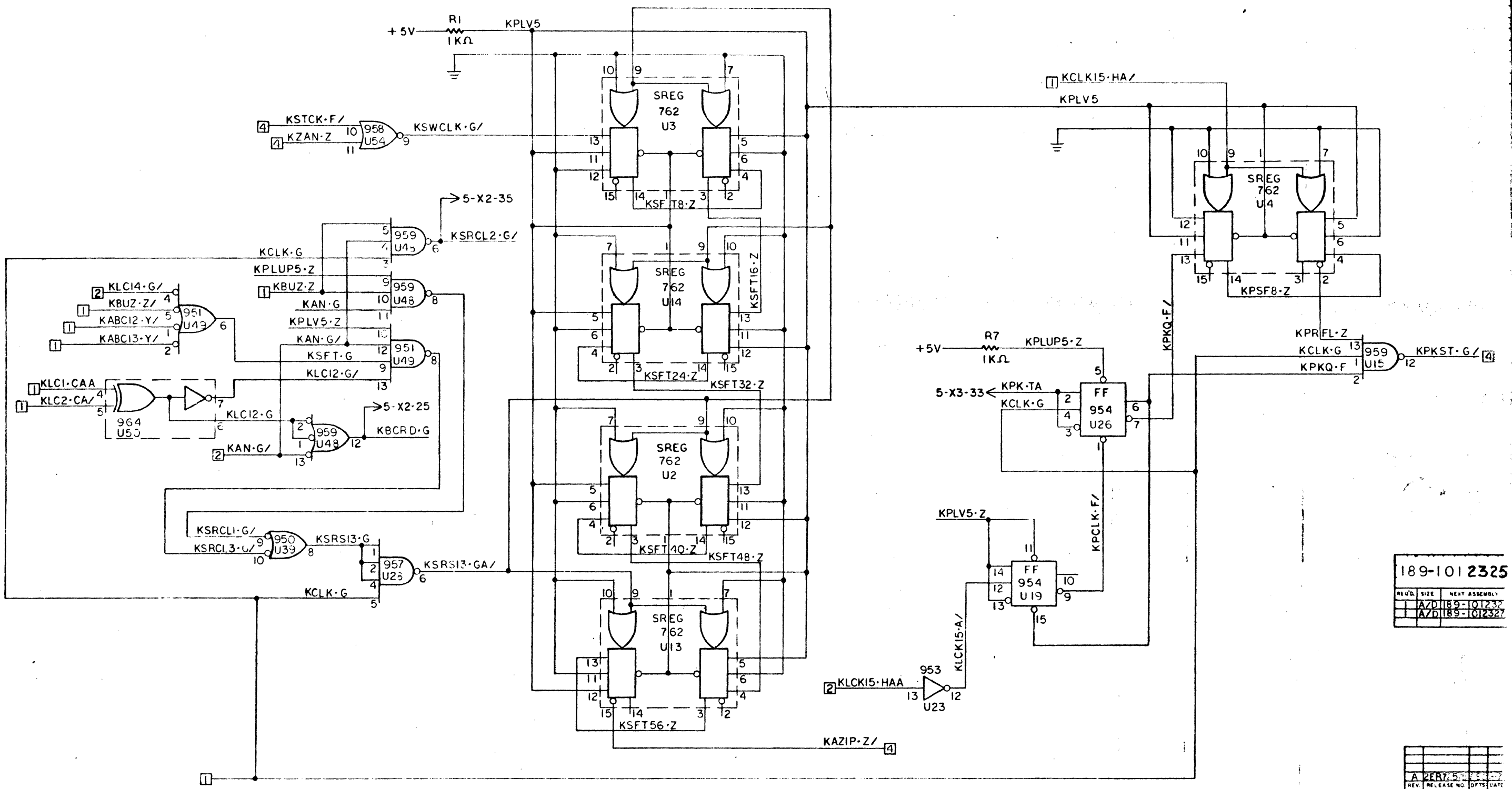
189-1012325

REQD. SIZE	NEXT ASSEMBLY
A/D 189-1012325	
A/D 189-1012325	



NOTES:
SIMILAR PARTS:
CHANGES:

START	FINISH 12-71	UNIT ALPHA NUMERIC KEYBOARD
DESIGNED BY	NAME	NAME DIAGRAM-LOGIC
DESIGNER	M. Patel	BTS, BT6 & REPEATING KEY CONTROL
APPRO	APPRO	SHEET 2 OF 5
SUPD BY:	SCALE NONE	189-1012325
SUPERSEDES 189-10033	CODE 2-9511	



189-1012325

REQD	SIZE	NEXT ASSEMBLY
1	A/D	189-101232
	A/D	189-101232

NOTES:

SIMILAR PARTS:

CHANGES:

START	FINISH 12-71	UNIT ALPHA/NUMERIC KEYBOARD
DESIGNER M. Patel	NAME DIAGRAM-LOGIC	MEMORY & PERIPHERAL CONTROL
APPRO APPD	SHEET 3 OF 5	189-1012325
SUPD BY	SCALE NONE	FIELD PRINT
SUPERSEDES 189-10	CODE 2-9511	

STD QUAL SP4004-15
CLASS MOI-5-399-00

UNLESS OTHERWISE SPECIFIED, DIMENSIONS ARE IN INCHES AND DECIMALS THEREOF.

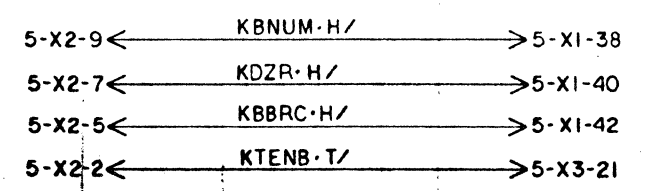
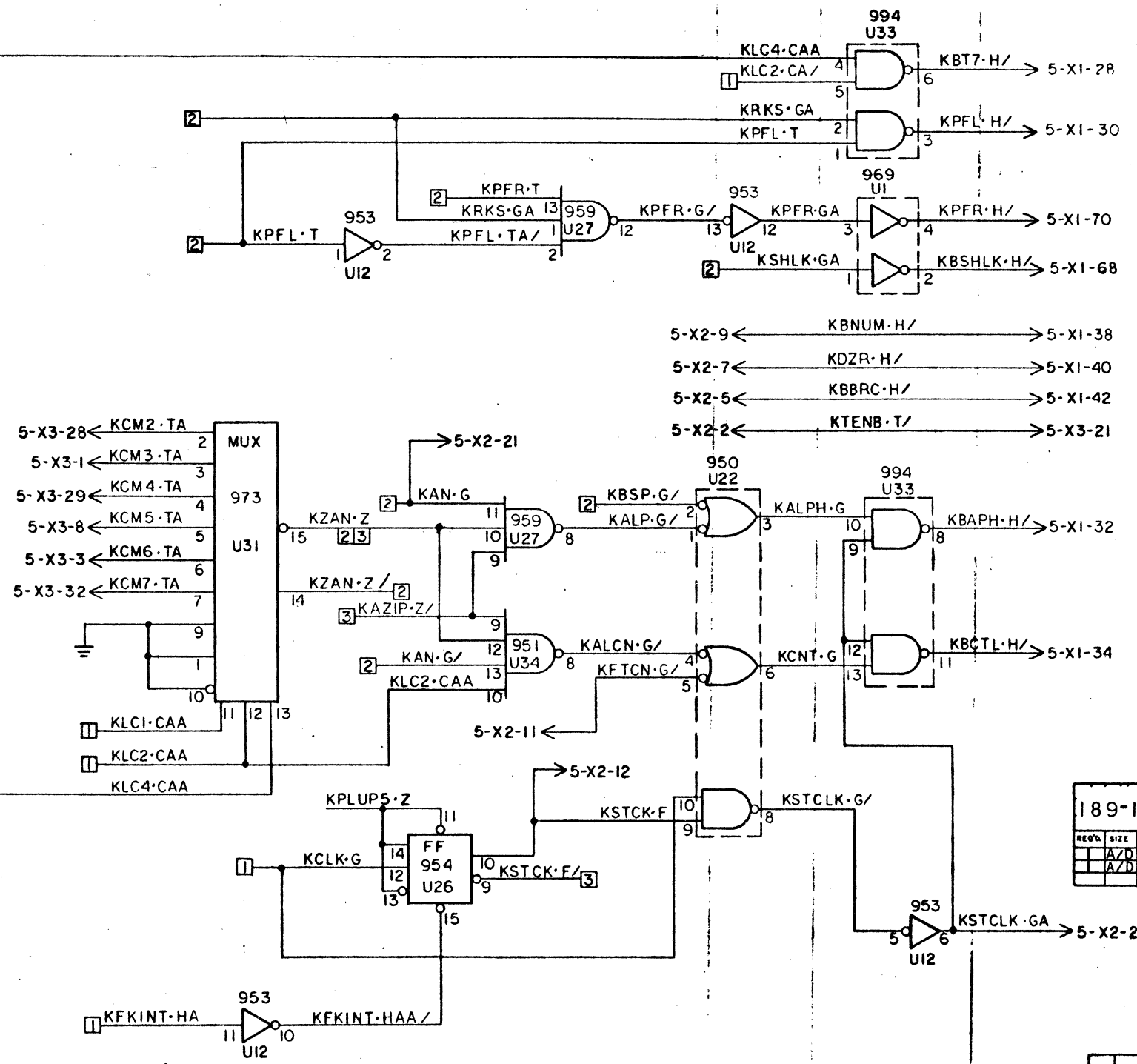
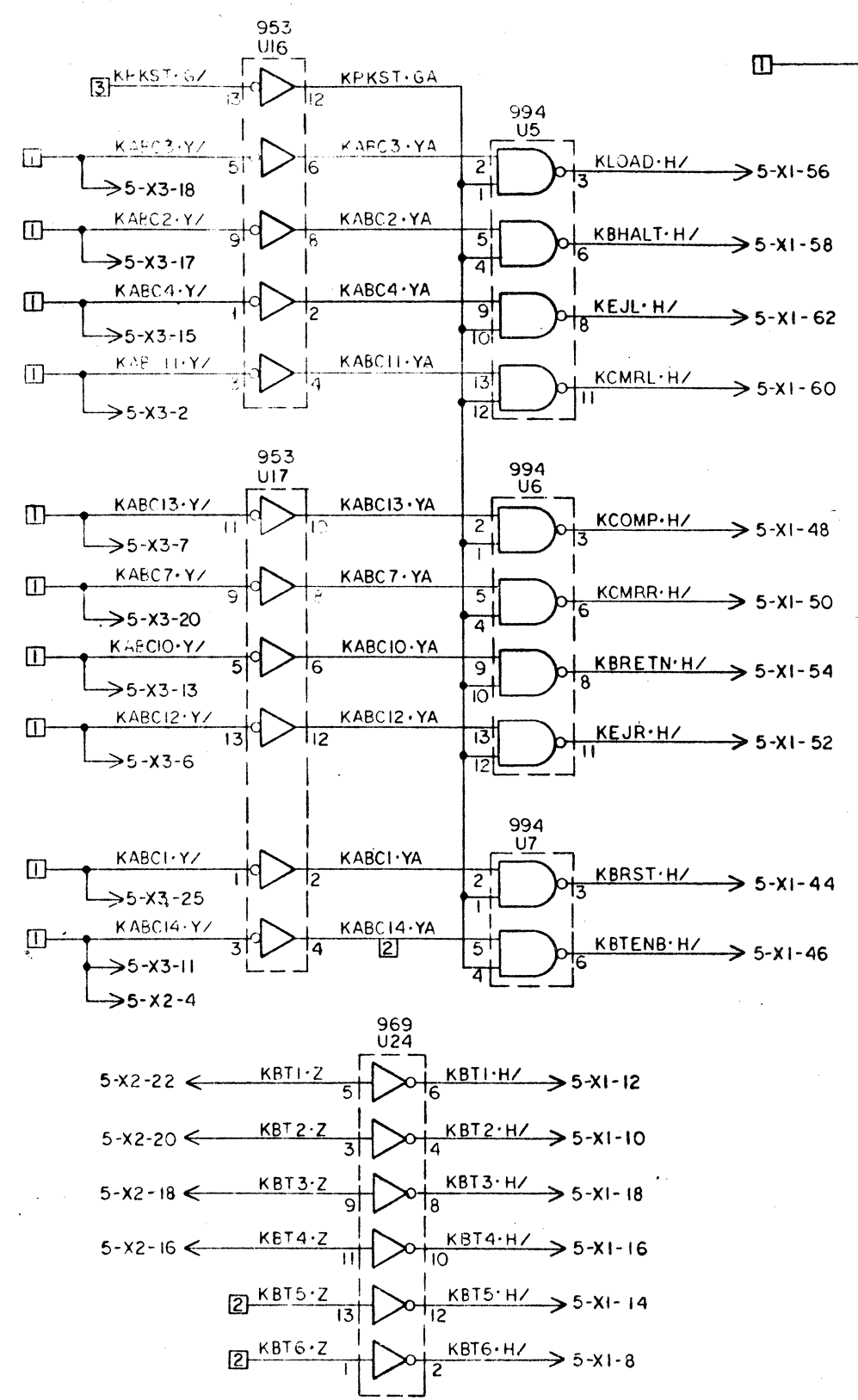
DESIGNER: M. Patel

APPRO: APPD

SUPD BY: []

SUPERSEDES 189-10

CODE 2-9511



189-1012325		
REQ'D	SIZE	NEXT ASSEMBLY
A7D	189-1012325	A7D
1	189-1012327	1

NOTES:

SIMILAR PARTS:

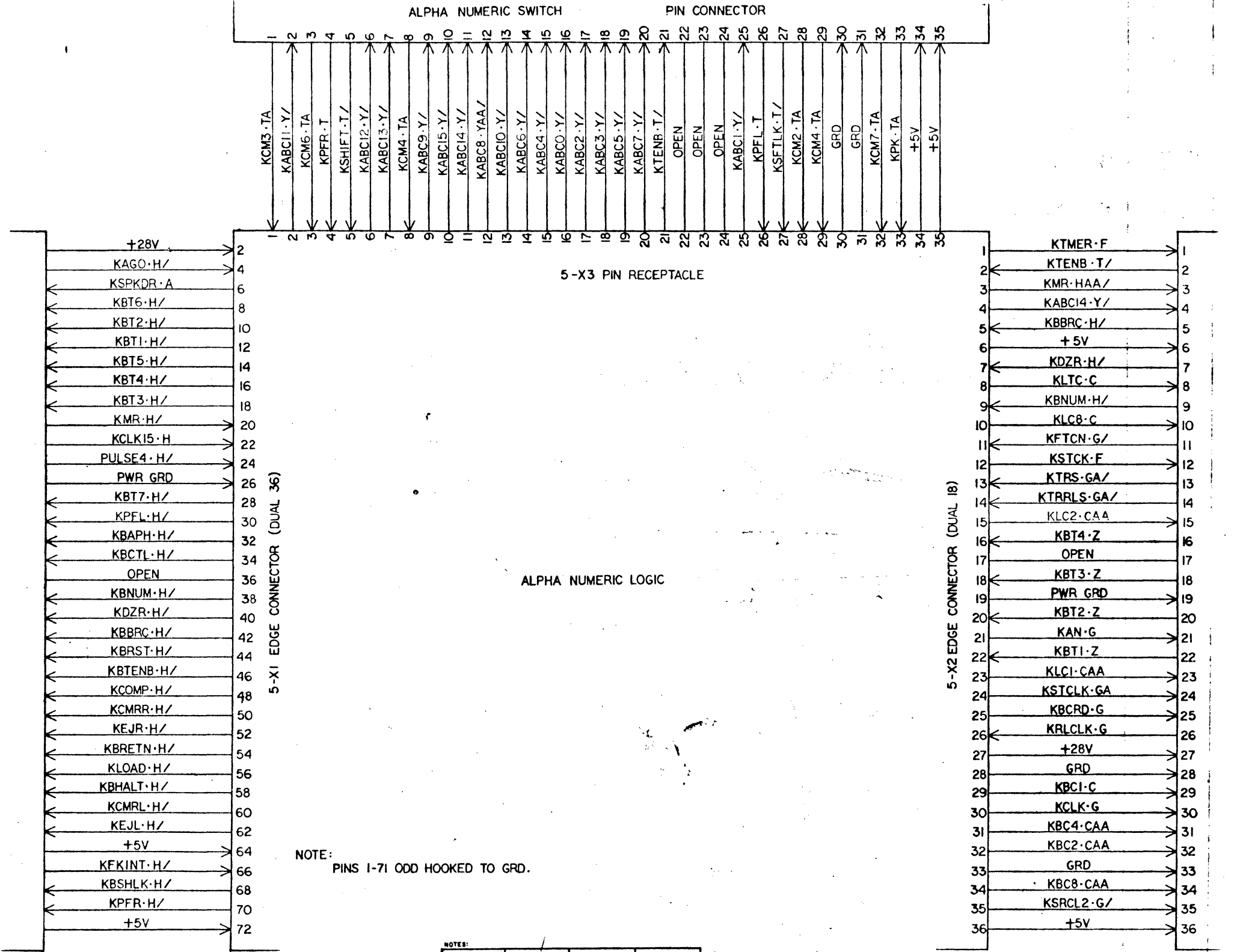
CHANGES:

MATERIAL:	START	FINISH 12-71
COATING:	DESIGNER	UNIT ALPHA/NUMERIC KEYBOARD
BRAZE:	APPROV	NAME DIAGRAM-LOGIC
HEAT TREAT:	SCALE	OUTPUT BUFFER & STROBE CONTROL
REF FINISH:	SCALE NONE	SHEET 4 OF 5
	189-1012325	

FIELD

C-399 SYSTEM

ITEM	REQD	DWG NO.	NAME	ITEM	REQD	DWG NO.	NAME	ITEM	REQD	DWG NO.	NAME
			ALPHA NUMERIC SWITCH				PIN CONNECTOR				



NOTE:
PINS 1-71 ODD HOOKED TO GRD.

10 KEY / FULL KEY

189-1012325		
REV	SIZE	NEXT ASSEMBLY
A	D	189-1012325
A	D	189-1012325

NOTES:

SIMILAR PARTS:

CHANGES:

STD DUAL SP4004 IS	CLASS MOI-5-399-00	UNIT REMOTE KEYBOARD
START	FINISH 12-71	NAME DIAGRAM-LOGIC
DESIGNER M. Patel	CHKR A	DESIGNER M. Patel
APPD	APPD	SHEET 5 OF 5
SUPD BY	SCALE NONE	189-1012325
SUPP NUMBER 189-10	CODE 24011	FIELD NO.

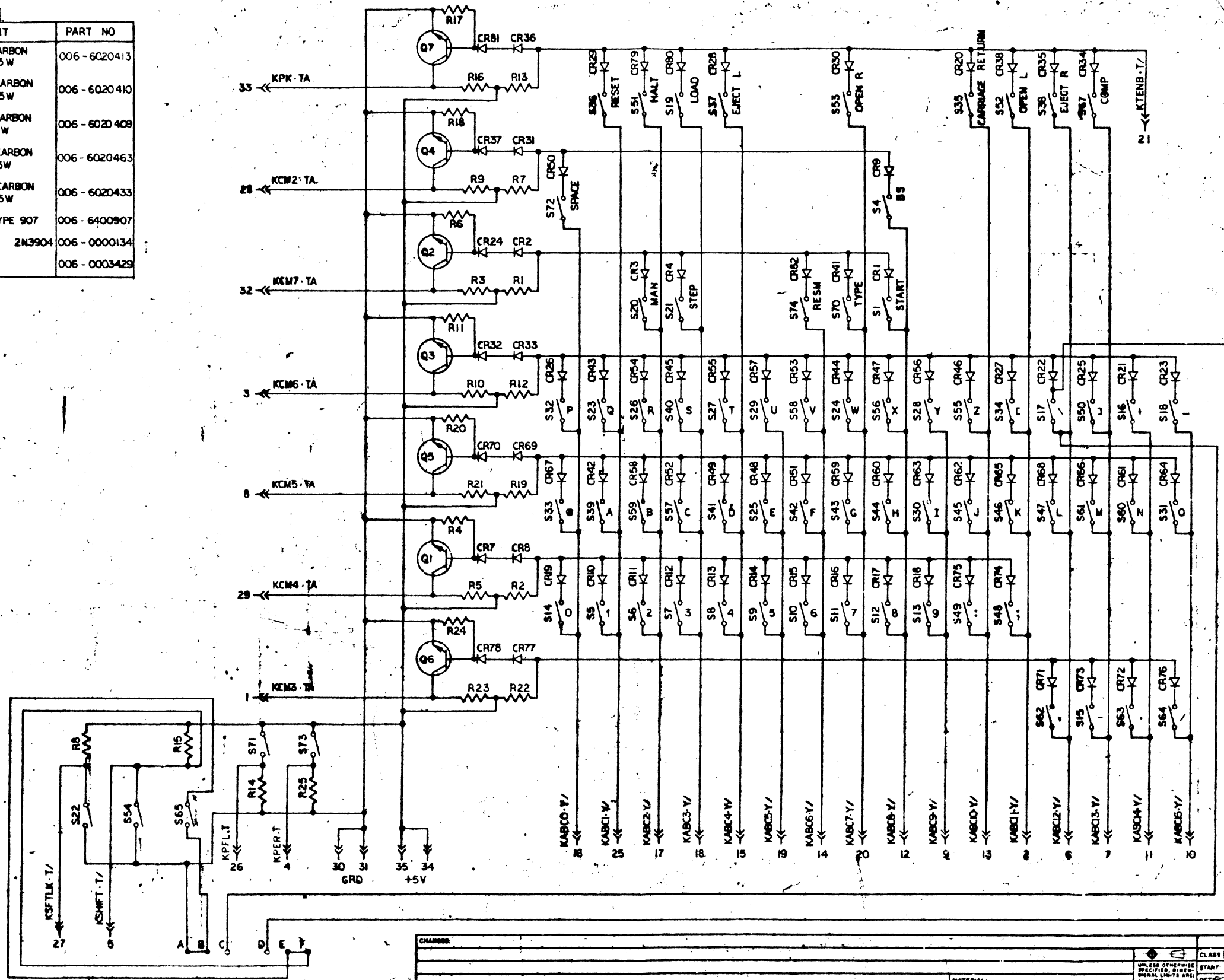
HIGHEST REF DESIGNATOR

R25 CR82 Q7 S74

REF DESIGNATOR NOT USED

CR5,6,19 & 40 S2,3,68,68 & 69

REF	IDENT	PART NO
R1,2,7,12,13,19,22	RESISTOR, CARBON 4.3K Ω , .25W	006-6020413
R3,5,9,10,16,21,23	RESISTOR, CARBON 3.3K Ω , .25W	006-6020410
R4,6,11,17,18,20,24	RESISTOR, CARBON 3K Ω , .25W	006-6020409
R8,15	RESISTOR, CARBON 47K Ω , .25W	006-6020463
R14,25	RESISTOR, CARBON 330 Ω , .25W	006-6020433
CR1-4, CR7-38, CR41-82	DIODE TYPE 907	006-6400907
	TRANSISTOR 2N3904	006-0000134
S1, S4-65, S67, S70-74	SWITCH, REED	006-0003429



2. JUMPER AB & EF FOR MOI-5-399-00

NOTES 1. SWITCH 18 IS UNDER SCORE, SWITCH 15 IS A DASH.

SIMILAR PARTS

CHANGES

NO.	DATE	BY	DESCRIPTION

CLASS MOI-5-399-00	THE NATIONAL CASH REGISTER CO. ITHACA, NEW YORK
START FINISH 11-71	UNIT ALPHANUMERIC KEYBOARD
DESIGNER	NAME SCHEMATIC-SWITCH
APPROV	SCALE NONE
SUPD BY	189-1011289
SUPERSEDES	CODE 2-9034

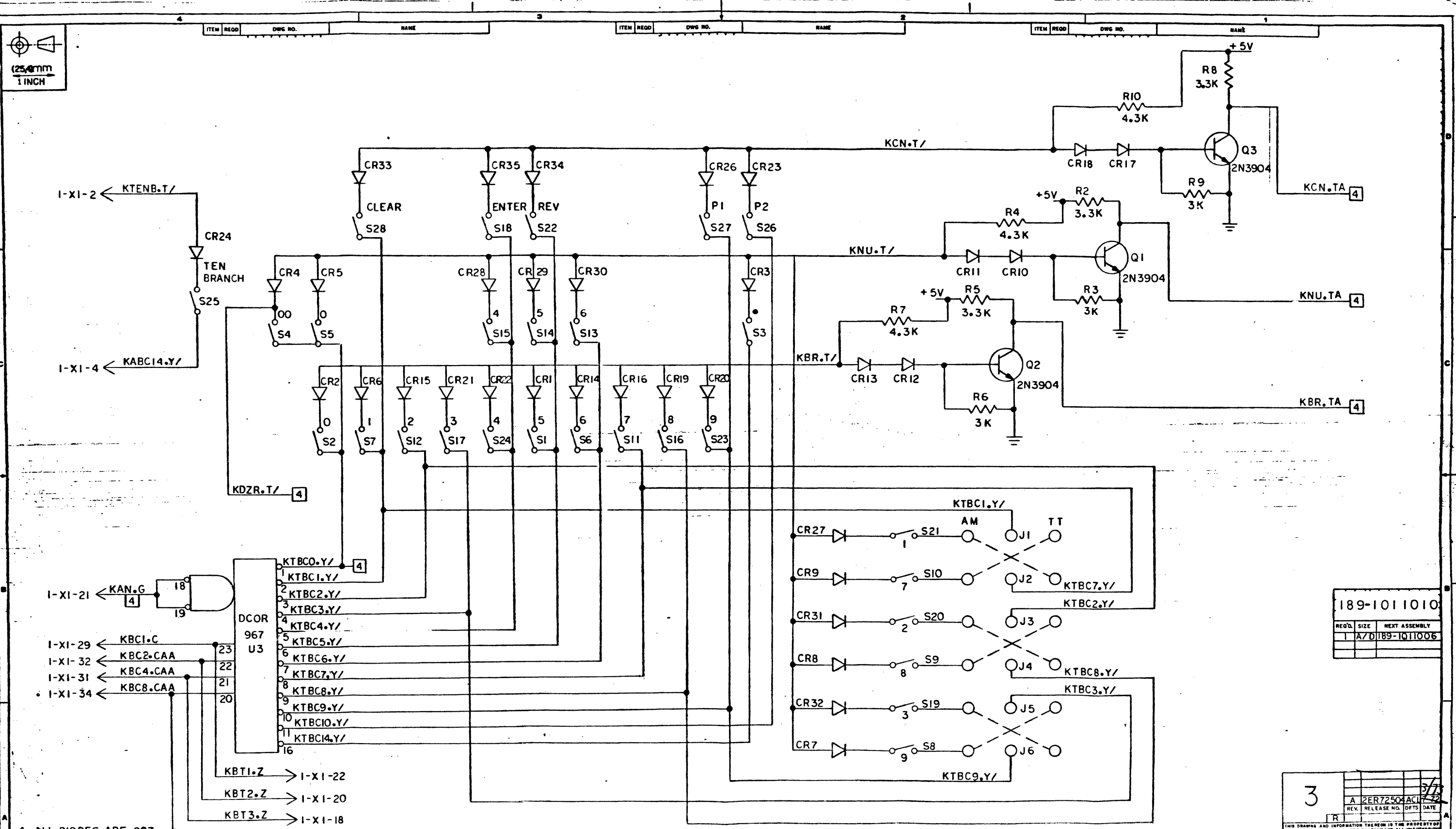
189-1011289

REV	1	189-1011289
-----	---	-------------

A 2ER72510 ACUS

THIS DRAWING AND INFORMATION THEREON IS THE PROPERTY OF THE NATIONAL CASH REGISTER COMPANY AND ALL UNAUTHORIZED USE IN REPRODUCTION IS PROHIBITED.

FIELD PRINT



4. ALL DIODES ARE 9C7
 3. ON THE 24 PIN PACKAGES, 12 PIN IS GRD
 AND PIN 24 IS +5V.
 2 ON ALL 16 PIN PACKAGES, PIN 8 IS GRD AND PIN 16 IS +5V
 1 ON ALL 14 PIN PACKAGES, PIN 7 IS GRD AND PIN 14 IS +5V

NOTES:
 SIMILAR PARTS:

CHANGES:		MATERIAL:	

CLASS: MOI-1-399	START: 1-73	FINISH: 1-73	UNIT: TEN KEY KEYBOARD
DESIGNER: G.WILLIAM	CHKR: G.W.	NAME SCHEMATIC-LOGIC	
APPR: []	APPR: []	SHEET 3 OF 4	
SUPD BY: []	SCALE: []	189-1011010	
SUPERSEDES: 189-100311	CODE: 2-9511		

189-1011010		
REQ'D.	SIZE	NEXT ASSEMBLY
1	A7/D	189-1011006

3	3/73
A 2ER72504AC17-72	
REV.	RELEASE NO. DFTS DATE

