

REV	CHANGE	ER NO.	DFTS	CHECK	APPD	DATE								
A	RELEASED TO PRODUCTION	35-02503												
B	ADDED ITEM 28 TO P/L & F/D; ADDED WIRE LIST & NOTE 3 TO F/D.	35-03687	C.F.	8-9-72 7-28-72	<i>[Signature]</i>	8-9-72								
C	ADDED ITEMS 7 & 30. ITEM 2 WAS 315-0522331. ITEM 29 WAS 007-8953102.	35-07671	PR	4-19-74 WNC 5-9-74	RFS	5-13-74								
<table border="1" style="width:100%; border-collapse: collapse;"> <tr> <td style="width:15%;">M05-01-STD</td> <td style="width:15%;"></td> </tr> <tr> <td>M05-01-399</td> <td></td> </tr> <tr> <td>M05-01-754</td> <td></td> </tr> <tr> <td>MODULE</td> <td></td> </tr> </table>							M05-01-STD		M05-01-399		M05-01-754		MODULE	
M05-01-STD														
M05-01-399														
M05-01-754														
MODULE														
MO	RFC NO.	PLANT LOC	DESCRIPTION	INTERPLANT USAGE (CODE)	REQD	NEXT ASSEMBLY								
					1	315-05224791								
MANUFACTURING OPTION FOR USE ONLY AT PLANT SHOWN					REPLACES DWG 315-0522505									
THIS DRAWING AND INFORMATION THEREON IS THE PROPERTY OF THE NATIONAL CASH REGISTER COMPANY AND ALL UNAUTHORIZED USE AND REPRODUCTION IS PROHIBITED.				NCR DATA PROCESSING DIVISION RANCHO BERNARDO, CALIFORNIA										
CLASS	MODEL	PLANT	CLASS	MODEL	PLANT	CLASS: M05								
M05	02	08	M05	02	21	UNIT: GPMC								
M05	01	35	M05	01	21	NAME: BOARD-PLUGIN, PROCESSOR 1								
DRAWING OF THE ASSEMBLY			CHKR: <i>[Signature]</i> 3-14-72			REV								
SHEET NO. 4			DESIGNER: D.F. RAMEY			C								
REV	A	B	C	APPD: <i>[Signature]</i> 5/10/72										
CODE: 2-9045		COVER SHEET		SHEET 1 OF 4										

ITEM	REQD	SIZE	PART NO.	DESCRIPTION	PARTS LIST CHG. ER NO.	REMARKS
1	1	D	315-0525489	BOARD-PRINTED		
2	1	D	315-0529100	STIFFENER	35-07671	
3	1	B	315-0523289	TAB-IDENTIFICATION		
4	1	D	315-0523124	LABEL-CARD IDENTIFICATION		
5	9	D	315-0520637	BUS BAR		
6	2	D	315-0520639	BUS BAR		
7	1	C	315-0529089	INSULATOR-CARD STIFFENER	35-07671	
8	REF	D	315-0522504	SCHEMATIC-LOGIC		
9	REF	A	007-9999145	PERFORMANCE SPEC		
10	REF	A	007-9506300	ASSEMBLY SPEC		
11	5	A	007-6951204	RIVET-HOLLOW BRASS		
12	1	A	006-6020448	RESISTOR-100Ω, 1/4W, ±5% R6		
13	16	A	006-6020401	RESISTOR-300Ω, 1/4W, ±5% R8,9,10,11,12,13,14,15, 16,17,18,19,20,21,22,23		
14	7	A	006-6020402	RESISTOR-1K, 1/4W, ±5% R1,2,3,4,5,7,24		
15	24	A	007-1158901	CAPACITOR-12UF, 6V, +100%, -20% C9,10,11,12,13,14,15, 16,17,18,19,20,21,22, 23,24,25,26,27,28,29, 30,31,32		
16	13	A	007-1695001	CIRCUIT-TTL, NAND GATE (QUAD 2-INPUT) A5,B1,B5,C5,D2,D5,D8, E2,E5,F5,G5,H1,H5		
17	1	A	007-1695901	CIRCUIT-TTL, NAND GATE (TRIPLE 3-INPUT) C8		
18	1	A	007-1695101	CIRCUIT-TTL, NAND GATE (DUAL 4-INPUT) C2		
NCR			UNIT: GPMC	REV		
NCR			NAME: BOARD-PLUGIN, PROCESSOR 1	315-0524806		C
			NCR PROPRIETARY	PARTS LIST	SHEET 2 OF 4	

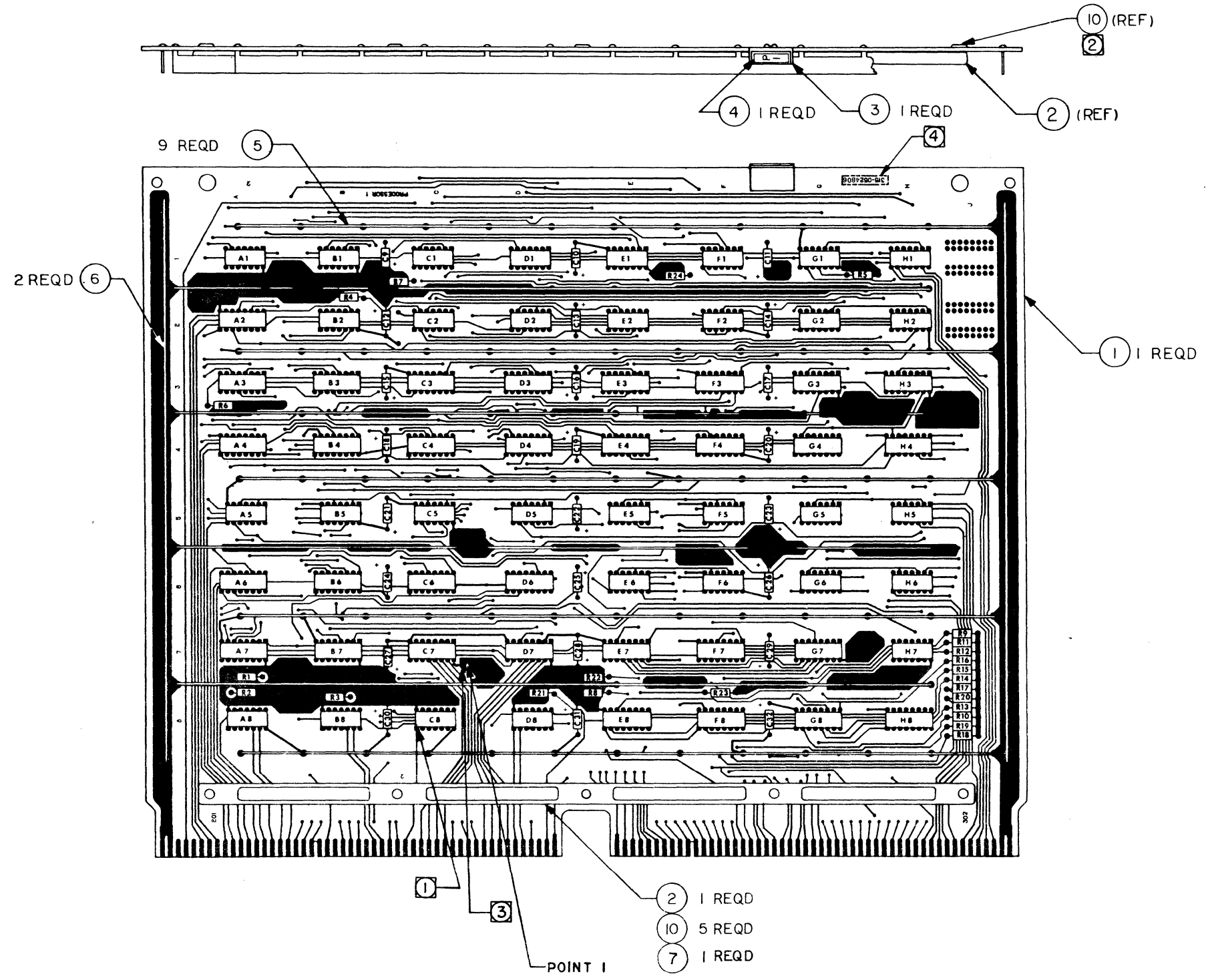
ITEM	REQD	SIZE	PART NO.	DESCRIPTION	PARTS LIST CHG. ER NO.	REMARKS
19	5	A	007-1695701	CIRCUIT-TTL, NAND BUFFER (DUAL 4-INPUT) A1,A8,B8,G2,H7		
20	5	A	007-1695301	CIRCUIT-TTL, HEX INVERTER B2,D1,E1,H2,F2		
21	8	A	007-1695401	CIRCUIT-TTL, FLIP-FLOP (DUAL) E3,E4,F3,F4,G3,G4, H3,H4		
22	10	A	007-1697101	CIRCUIT-TTL, SHIFT REG (4-BIT) A3,A7,B3,B7,C3,C7,D3, D7,E7,F7		
23	2	A	007-1697201	CIRCUIT-TTL, 1 OF 10 DCD A2,H8		
24	1	A	007-1697301	CIRCUIT-TTL, MULTIPLEXER (8-INPUT) G8		
25	1	A	007-1697501	CIRCUIT-TTL, PRIORITY ENC (8-INPUT) G7		
26	10	A	007-1698001	CIRCUIT-TTL, MULTIPLEXER (QUAD 2-INPUT) A4,A6,B4,B6,C4,C6,D4, D6,E8,F8		
27	3	A	007-1696201	CIRCUIT-TTL, NOR GATE (QUAD 2-INPUT) C1,F1,G1		
28	4	A	007-1699401	CIRCUIT-TTL, NAND GATE (QUAD 2-INPUT OC) E6,F6,G6,H6		
29	A/R	A	007-9000001	WIRE-ELECTRICAL, INSULATED W1	35-07671	
30	REF	A	007-9502002	MARKING-GENERAL	35-07671	

NCR	UNIT: GPMC	315-0524806	REV
	NAME: BOARD-PLUGIN, PROCESSOR 1		C
NCR PROPRIETARY		PARTS LIST	SHEET 3 OF 4

(25,4) 1 INCH

3

WIRE LIST					
REF DES	START TERM	END TERM	P/L ITEM	COMP SIDE	SLD SIDE
WI	C7-16	POINT 1	29	X	



- ④ RE-IDENTIFY PER ITEM 30.
- ③ ROUTE JUMPERS (WIRE) COMPONENTS APPROXIMATELY AS SHOWN, PER ITEM 9.
- ② INSTALL FROM THIS SIDE.
- ① ■ INDICATES PIN NUMBER 1.

NOTES (UNLESS OTHERWISE SPECIFIED)

315-0524806

REV	C	SEE SHEET ONE FOR CHANGES
THIS DRAWING AND INFORMATION THEREON IS THE PROPERTY OF THE NATIONAL CYBERNETICS REGISTER COMPANY AND ALL UNAUTHORIZED USE AND REPRODUCTION IS PROHIBITED.		
NCR		DATA PROCESSING DIVISION RANCHO BERNARDO, CALIFORNIA
UNIT:	GPM C	
NAME:	BOARD-PLUG IN PROCESSOR 1	
SHEET	4 OF 4	DWG SIZE
SCALE:	1:1	315-0524806

UNLESS OTHERWISE SPECIFIED, DIMENSIONAL LIMITS ARE:
INCH NOMINAL
.XX ±
.XXX ±

FUNCTION	INPUT PIN	OUTPUT PIN	PAGE/ZONE	REMARKS
CCR01-A	206		6-F3	
CCR02-A	207		6-F3	
CCR03-A	4		6-F4	
CCR08	246		6-G6	
CCR09	247		6-G6	
CCR09-A	40		6-F8	
CL2-B	292		4-G10,5-G8 7-E9,8-E9	
DFM01	60		4-G2	
DFM02	53		4-G3	
DFM03	59		4-G4	
DFM04	253		4-G5	
DFM05	64		4-G6	
DFM06	264		4-G7	
DFM07	273		4-G8	
DFM08	259		4-G9	
DFM09	281		4-E2	
DFM10	276		4-E3	
DFM11	282		4-E4	
DFM12	82		4-E5	
DFM13	294		4-E6	
DFM14	295		4-E7	
DFM15	297		4-E8	
DFM16	296		4-E9	
DTM01		262	4-B1	
DTM02		54	4-B1	
DTM03		261	4-A3	
DTM04		62	4-A3	
DTM05		270	4-A4	
DTM06		68	4-A5	

FUNCTION	INPUT PIN	OUTPUT PIN	PAGE/ZONE	REMARKS
DTM07		271	4-A5	
DTM08		269	4-A6	
DTM09		280	4-A7	
DTM10		79	4-A7	
DTM11		81	4-A8	
DTM12		98	4-A8	
DTM13		92	4-A9	
DTM14		290	4-A10	
DTM15		93	4-A10	
DTM16		91	4-A11	
ETT	85		5-D5	
GA01		229	6-B8	
GA02		18	6-B9	
GA03		217	6-B10	
GE		28	6-B7	
HSC	287		7-E9,8-E9	
IP	65		5-F5,5-F7	
IR		78	5-A4	
J01	214		4-E1,5-F7, 7-F3,8-F3	
J02	13		4-E2,5-F8, 7-F4,8-F4	
J03	212		4-E4,5-F8, 7-F4,8-F4	
J04	12		4-E5,5-F9, 7-F4,8-F4	
J05	222		4-E6,5-F9, 7-F5,8-F5	
J06	24		4-E7,5-F10, 7-F5,8-F5	

FUNCTION	INPUT PIN	OUTPUT PIN	PAGE/ZONE	REMARKS
J07	25		4-E8,5-F10, 7-F6,8-F6	
J08	224		4-E9,5-F11, 7-F6,8-F6	
J09	33		4-D2,5-D7, 7-F7,8-F7	
J10	34		4-C3,5-D8, 7-F7,8-F7	
J11	31		4-C4,5-D8, 7-F7,8-F7	
J12	11		4-C5,5-D9, 7-F7,8-F7	
J13	44		4-C6,5-D9, 7-F8,8-F8	
J14	248		4-C7,5-D10, 7-F8,8-F9	
J15	45		4-C8,5-D10, 7-F9,8-F9	
J16	46		4-C9,5-D11, 7-F9,8-F9	
KCCR09	232		6-F7	
KCCR12	293		6-F5	
KMD01		5	4-C11	
KXFL25		274	6-B6	
KXFL79		299	6-B5	
KXS03	47		6-F6,6-F8	
KXS07	84		5-C5,5-G8	
MC	22		5-E5,5-E7, 7-C8,8-C8	
MCA	3		4-G11,4-E9,	SEE SHEET 2

315-0522504

V-1

				C	35ER04585	JCP	1/14/71	12-4-78	2-11-72
				B	35ER02407	N.G.	1/24/71	1/24/71	
				A	35ER01177				
CLASS	MODEL	PLANT	REV	RELEASE NO.	DFTS	DATE	CHECK	APPD	

CHANGES: (A) RELEASED TO PRODUCTION (B) DELETED CAPACITOR C33 ONSHEET 6 (C) SHEET 6; AT A1-8, SR WAS SL (D) SHEET 7; AT D3-9, SR WAS SL (E) SHEET 8; AT D7-9, SR WAS SL.

THIS DRAWING AND INFORMATION THEREON IS THE PROPERTY OF THE NATIONAL CASH REGISTER COMPANY AND ALL UNAUTHORIZED USE AND REPRODUCTION IS PROHIBITED.		NCR		DATA PROCESSING DIVISION RANCHO BERNARDO, CALIFORNIA	
CLASS: 605	UNIT: GPMC	NAME: SCHEMATIC-LOGIC, PROCESSOR I			
START: 7/15/71	FINISH: 7/21/71	DFTS: J. PETTY			
INTERPLANT USAGE (CODE)	CHKR: P. HUBBARD	DESIGNER: J. BOONE			
REPLACES DWG	APPD: LEITNER	APPD: LEITNER	CODE: -NE	D 315-0522504	

- 2. +5 VOLT PINS 1, 2, 201, 202.
- 1. GROUND PINS 101, 102, 301, 302.

G
F
E
D
C
B
A

FUNCTION	INPUT PIN	OUTPUT PIN	PAGE/ZONE	REMARKS
			4-G9,4-E10	
MCT	99		4-G11,4-E10	
MCX		39	4-C10	
MDR01		255	4-D1	
MDR02		254	4-E1	
MDR03		61	4-E2	
MDR04		260	4-E3	
MDR05		69	4-E5	
MDR06		63	4-E6	
MDR07		70	4-E7	
MDR08		263	4-E8	
MDR09		279	4-C1	
MDR10		75	4-C2	
MDR11		80	4-C3	
MDR12		83	4-C4	
MDR13		95	4-C5	
MDR14		94	4-C6	
MDR15		97	4-C7	
MDR16		96	4-C8	
MDR16		298	4-C8	
MDS	204		4-G9,4-E9	
PINT		72	5-C2	
PTAIN01		278	5-A4	
PTAIN02		77	5-A4	
PTAIN03		284	5-A4	
RDINT00	265		5-D3,5-G5	
RDINT01	266		5-D3,5-G5	
RDINT02	76		5-D3,5-G5	
RDINT03	277		5-D3,5-F5	
RDINT04	55		5-D3,5-G7	
RDINT05	257		5-D3,5-G7	

FUNCTION	INPUT PIN	OUTPUT PIN	PAGE/ZONE	REMARKS
RDINT06	57		5-D3,5-G7	
RDINT07	256		5-D3 5-F7	
RPINT00	272		5-G5	
RPINT01	67		5-G5	
RPINT02	267		5-G5	
RPINT03	66		5-F5	
RPINT04	250		5-G7	
RPINT05	258		5-G7	
RPINT06	58		5-G7	
RPINT07	56		5-F7	
SD01		9	5-D7	
SD02		8	5-D8	
SD03		10	5-D8	
SD04		211	5-D9	
SD05		29	5-D9	
SD06		20	5-D10	
SD07		220	5-D10	
SD08		21	5-D11	

FUNCTION	INPUT PIN	OUTPUT PIN	PAGE/ZONE	REMARKS
SD09		238	5-B7	
SD10		37	5-B8	
SD11		35	5-B8	
SD12		36	5-B9	
SD13		52	5-B9	
SD14		41	5-B10	
SD15		252	5-B10	
SD16		43	5-B11	
SLC		268	6-B2	
SRF01		210	7-B3	
SRF02		7	7-B3	
SRF03		6	7-B3	
SRF04		219	7-B4	

315-0522504

F
E
D
C
B
A

V 2

REV	C	SEE SHEET ONE FOR CHANGES
THIS DRAWING AND INFORMATION THEREON IS THE PROPERTY OF THE NATIONAL CASH REGISTER COMPANY AND ALL UNAUTHORIZED USE AND REPRODUCTION IS PROHIBITED.		
NCR		DATA PROCESSING DIVISION RANCHO BERNARDO, CALIFORNIA
UNIT: GPMC		
NAME: SCHEMATIC-LOGIC, PROCESSOR I		
SHEET 2 OF 8	DWG SIZE	D 315-0522504

FUNCTION	INPUT PIN	OUTPUT PIN	PAGE/ZONE	REMARKS
SRF05		218	7-B5	
SRF06		209	7-B5	
SRF07		19	7-B5	
SRF08		30	7-B5	
SRF09		38	7-B6	
SRF10		231	7-B6	
SRF11		240	7-B7	
SRF12		50	7-B7	
SRF13		51	7-B8	
SRF14		42	7-B8	
SRF15		251	7-B8	
SRF16		213	7-B9	
SRG01		14	8-B3	
SRG02		15	8-B3	
SRG03		16	8-B3	
SRG04		17	8-B4	
SRG05		225	8-B5	
SRG06		26	8-B5	
SRG07		226	8-B5	
SRG08		27	8-B5	
SRG09		234	8-B6	
SRG10		235	8-B6	
SRG11		236	8-B7	
SRG12		237	8-B7	
SRG13		242	8-B8	

FUNCTION	INPUT PIN	OUTPUT PIN	PAGE/ZONE	REMARKS
SRG14		243	8-B8	
SRG15		244	8-B8	
SRG16		245	8-B9	
SSEL00		286	5-A3	
SSEL01		288	5-A3	
SSEL02		89	5-A3	
SSEL03		289	5-A3	
SSEL04		90	5-A3	
SSEL05		86	5-A3	
SSEL06		87	5-A3	
SSEL07		88	5-A3	
XFL 25	73		6-D6	
XFL 79	300		6-D5	
XG05	228		6-E8	
XG06	215		6-E9	
XG07	216		6-E10	
XG08	230		6-D7	
XI070	285		5-F11	
XMD16	241		4-G10	
XMW22	275		4-G11	
XS-N00	291		5-F11	
XS-N06	32		6-G7	
XS-N46	100		6-F5	
XS-N76	49		6-F7,6-F9	
XSR19	283		7-E9	
XSR21	74		8-E9	
XSR29	208		6-F4	

FUNCTION	INPUT PIN	OUTPUT PIN	PAGE/ZONE	REMARKS

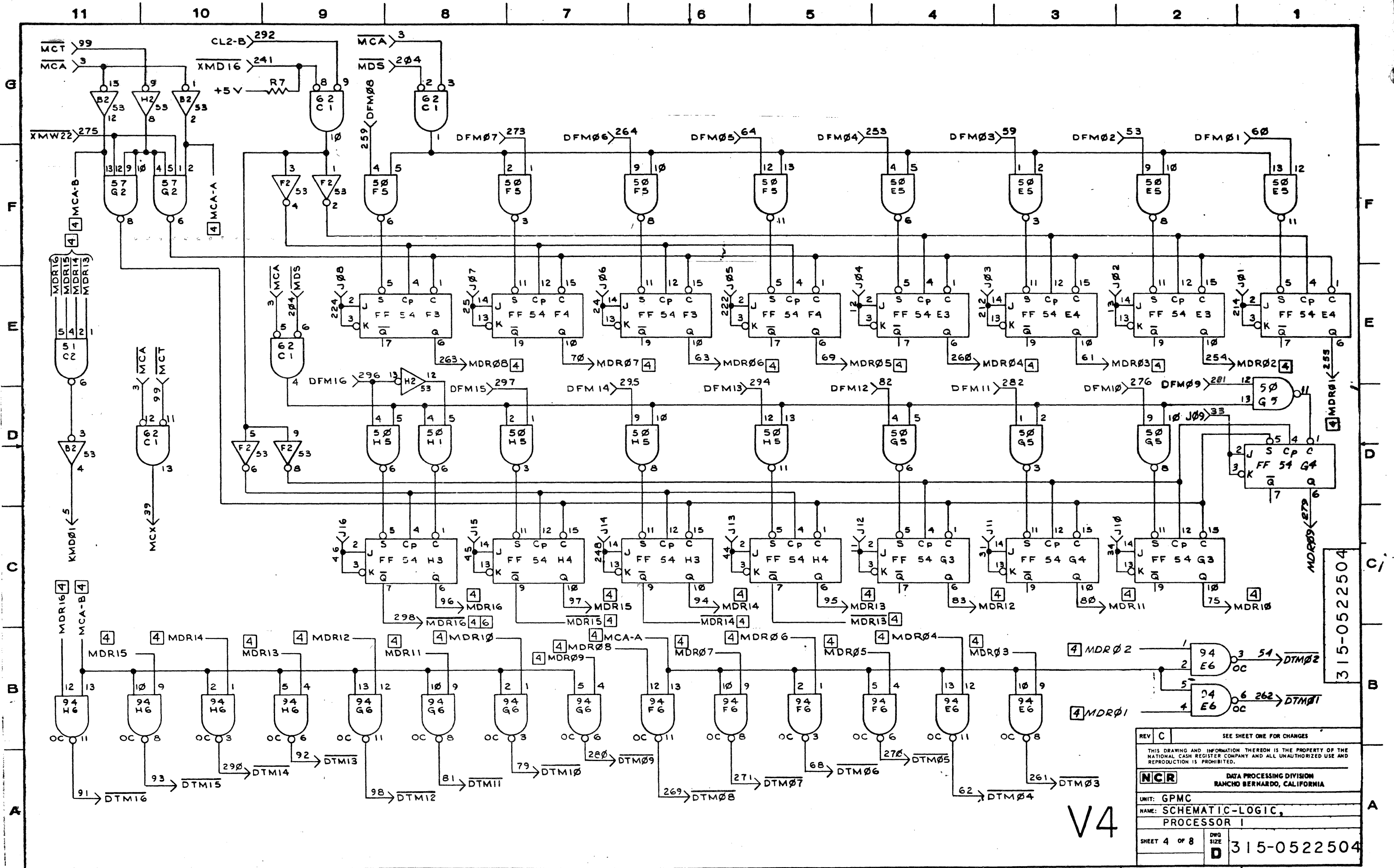
F
E
C
B
A

G
F
E
D
C
B
A

315-0522504

V 3

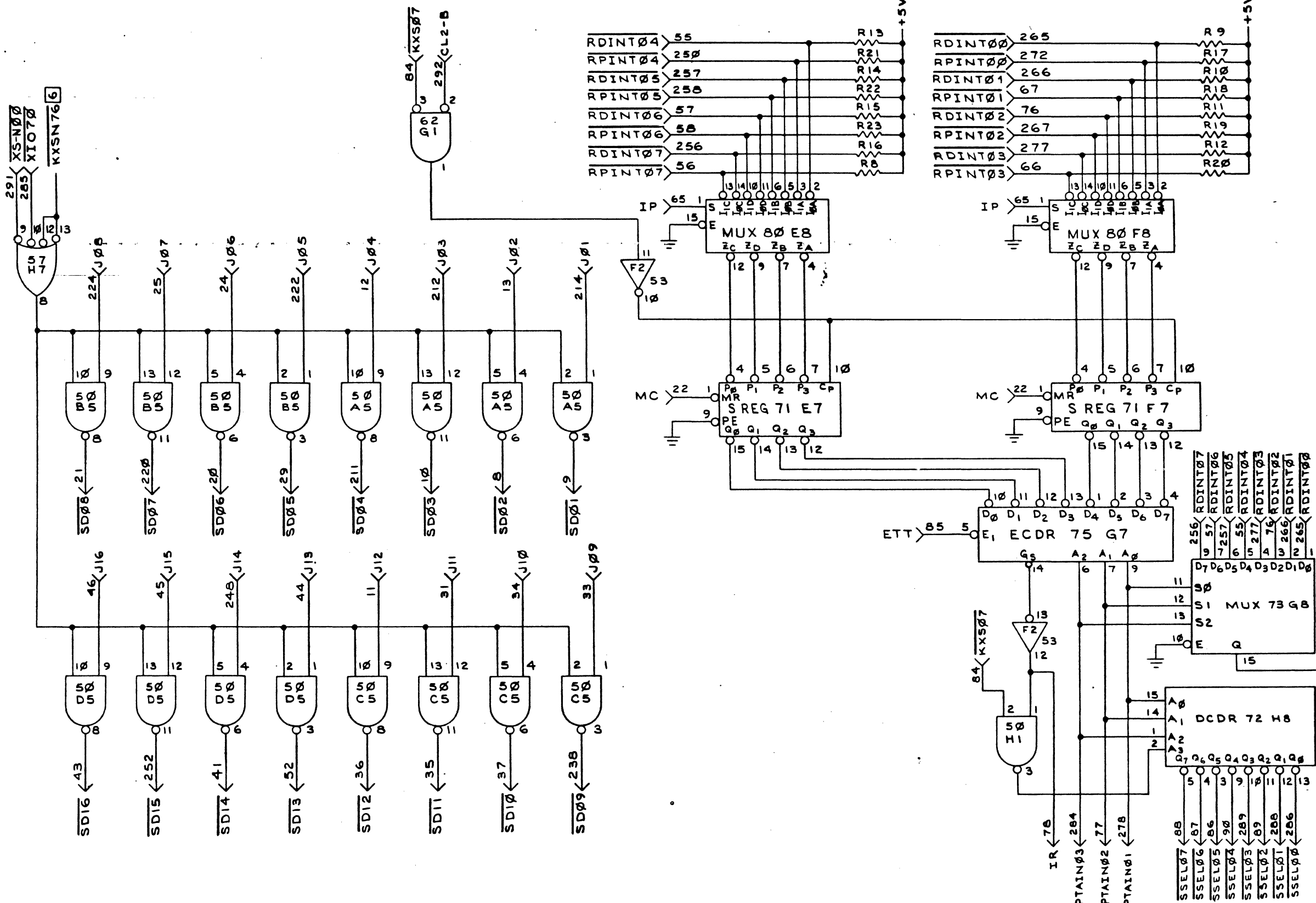
REV	C	SEE SHEET ONE FOR CHANGES
<small>THIS DRAWING AND INFORMATION THEREON IS THE PROPERTY OF THE NATIONAL CASH REGISTER COMPANY AND ALL UNAUTHORIZED USE AND REPRODUCTION IS PROHIBITED.</small>		
NCR		DATA PROCESSING DIVISION RANCHO BERNARDO, CALIFORNIA
UNIT: GPMC		
NAME: SCHEMATIC-LOGIC, PROCESSOR I		
SHEET 3 OF 8	DWG SIZE D	315-0522504



V4

REV C	SEE SHEET ONE FOR CHANGES
THIS DRAWING AND INFORMATION THEREON IS THE PROPERTY OF THE NATIONAL CASH REGISTER COMPANY AND ALL UNAUTHORIZED USE AND REPRODUCTION IS PROHIBITED.	
NCR	
DATA PROCESSING DIVISION RANCHO BERNARDO, CALIFORNIA	
UNIT: GPMC	
NAME: SCHEMATIC-LOGIC, PROCESSOR I	
SHEET 4 OF 8	DWG SIZE D 315-0522504

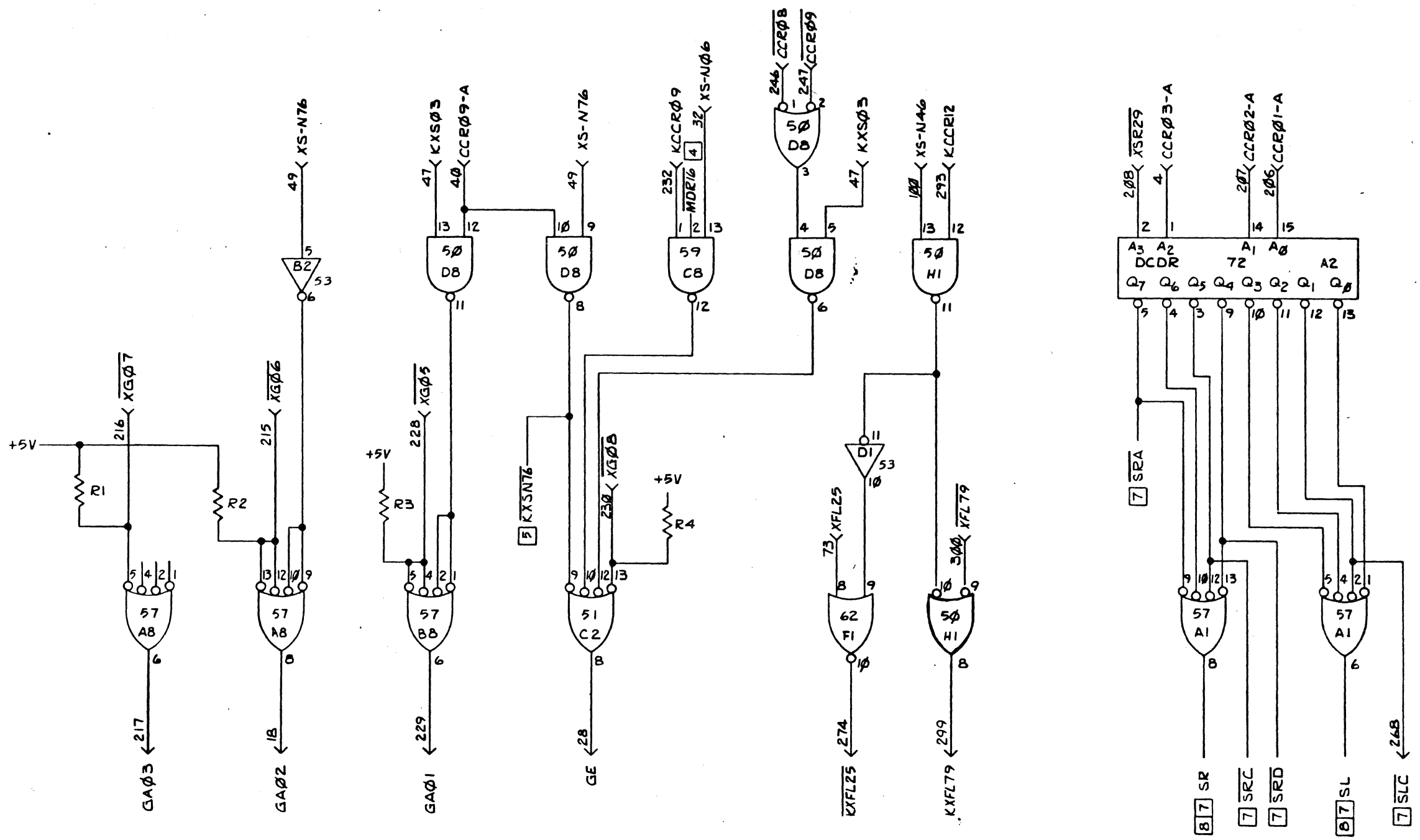
11 10 9 8 7 6 5 4 3 2 1



315-0522504

REV C	SEE SHEET ONE FOR CHANGES
THIS DRAWING AND INFORMATION THEREON IS THE PROPERTY OF THE NATIONAL CASH REGISTER COMPANY AND ALL UNAUTHORIZED USE AND REPRODUCTION IS PROHIBITED.	
NCR	
DATA PROCESSING DIVISION RANCHO BERNARDO, CALIFORNIA	
UNIT: GPMC	
NAME: SCHEMATIC-LOGIC, PROCESSOR I	
SHEET 5 OF 8	DWG SIZE D 315-0522504

V5

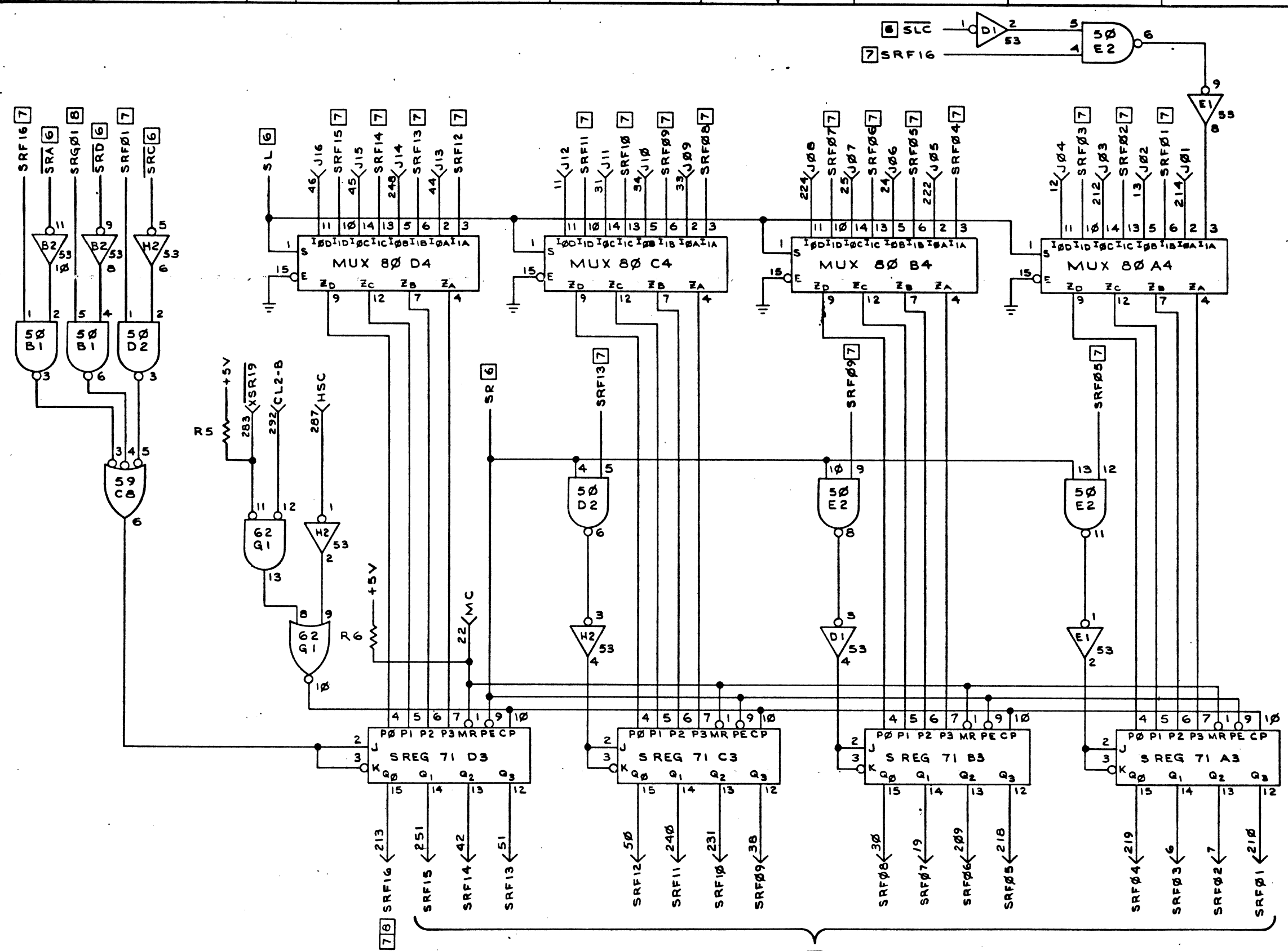


315-0522504

V6

REV	C	SEE SHEET ONE FOR CHANGES
THIS DRAWING AND INFORMATION THEREON IS THE PROPERTY OF THE NATIONAL CASH REGISTER COMPANY AND ALL UNAUTHORIZED USE AND REPRODUCTION IS PROHIBITED.		
NCR DATA PROCESSING DIVISION RANCHO BERNARDO, CALIFORNIA		
UNIT:	GPMC	
NAME:	SCHEMATIC-LOGIC, PROCESSOR I	
SHEET 6 OF 8	DWG SIZE	315-0522504

11 10 9 8 7 6 5 4 3 2 1

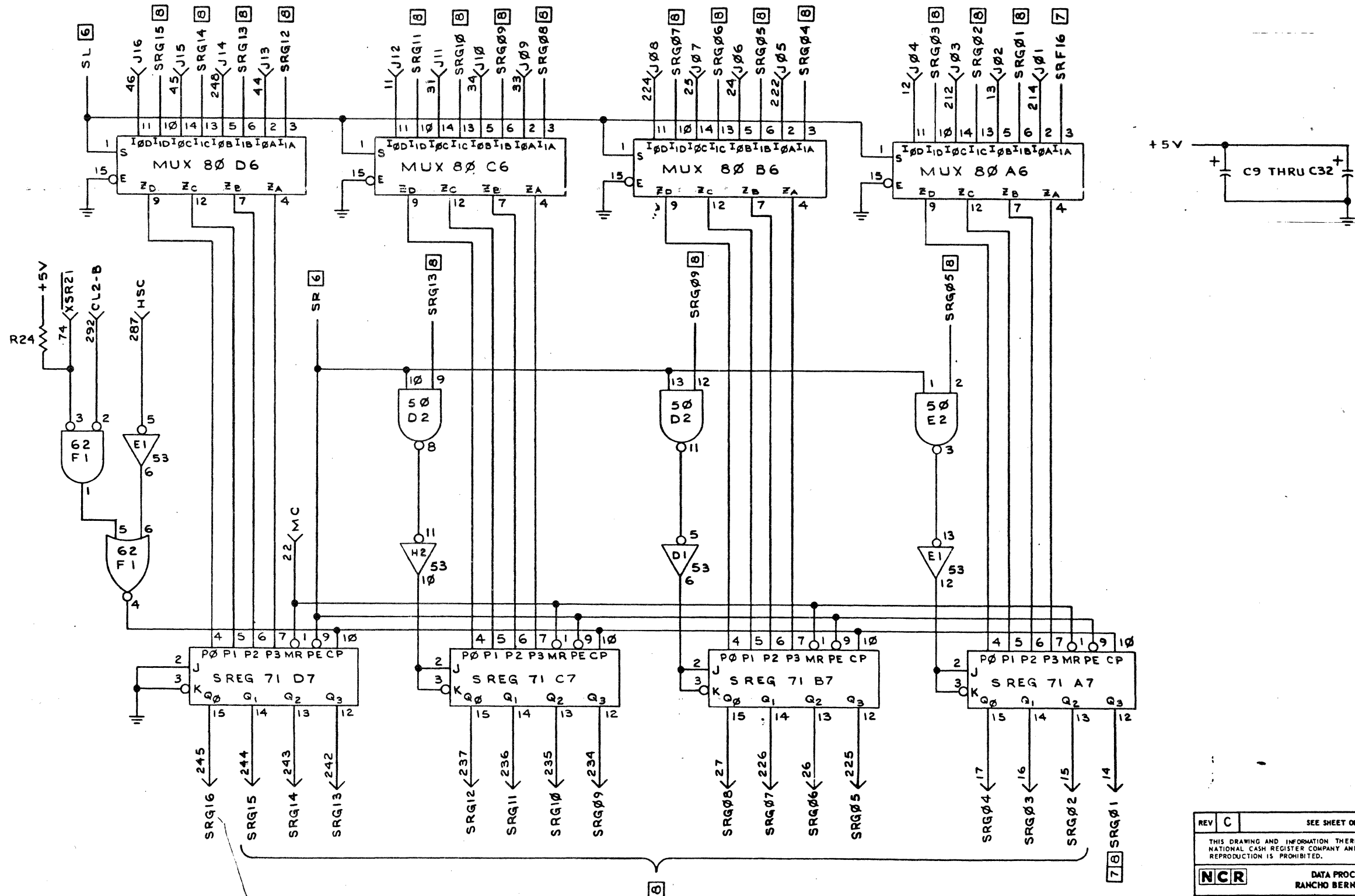


315-0522504

REV C	SEE SHEET ONE FOR CHANGES
THIS DRAWING AND INFORMATION THEREON IS THE PROPERTY OF THE NATIONAL CASH REGISTER COMPANY AND ALL UNAUTHORIZED USE AND REPRODUCTION IS PROHIBITED.	
NCR DATA PROCESSING DIVISION RANCHO BERNARDO, CALIFORNIA	
UNIT: GPMC	
NAME: SCHEMATIC-LOGIC, PROCESSOR I	
SHEET 7 OF 8	DWG SIZE D 315-0522504

V7

10 9 8 7 6 5 4 3 2 1



315-0522504

REV C	SEE SHEET ONE FOR CHANGES
THIS DRAWING AND INFORMATION THEREON IS THE PROPERTY OF THE NATIONAL CASH REGISTER COMPANY AND ALL UNAUTHORIZED USE AND REPRODUCTION IS PROHIBITED.	
NCR DATA PROCESSING DIVISION RANCHO BERNARDO, CALIFORNIA	
UNIT: GPMC	
NAME: SCHEMATIC-LOGIC, PROCESSOR I	
SHEET 8 OF 8	DWG SIZE D 315-0522504

V8