

**PROPRIETARY INFORMATION
FOR USE IN MAINTENANCE
ONLY. NOT TO BE COPIED
OR DISCLOSED!**

			1	2
			PG.	
1	U 41	74LS166	10	
2	U 42	74S374	8	
3	U 43	74S51	3,6-	
4	U 44	74S374	5	
5	U 45	MCM6665-20	20	
6	U 46	SPARE	↑	
7	U 47	MCM6665-20		
8	U 48	SPARE		
9	U 49	MCM6665-20		
10	U 50	SPARE		
11	U 51	MCM6665-20	↓	
12	U 52	SPARE	20	
13	U 53	74S374	7	
14	U 54	SPARE	-	
15	U 55	MCM6665-20	20	
16	U 56	SPARE	↑	
17	U 57	MCM6665-20		
18	U 58	SPARE		
19	U 59	MCM6665-20		
20	U 60	SPARE		
21	U 61	MCM6665-20	↓	
22	U 62	SPARE	20	
23	U 63	74LS166	9	
24	U 64	74S374	7	
25	U 65	74S374	5	
26	U 66	MCM6665-20	20	
27	U 67	SPARE	↑	
28	U 68	MCM6665-20		
29	U 69	SPARE		
30	U 70	MCM6665-20		
31	U 71	SPARE		
32	U 72	MCM6665-20		
33	U 73	SPARE		
34	U 74	MCM6665-20		
35	U 75	SPARE		
36	U 76	MCM6665-20		
37	U 77	SPARE		
38	U 78	MCM6665-20		
39	U 79	SPARE	↓	
40	U 80	MCM6665-20	20	

			PG.						
1	U 81	SPARE	20						
2	U 82	74LS166	9						
3	U 83	74S280	6						
4	U 84	74S74	23						
5	U 85	74S374	4						
6	U 86	MCM6665-20	20						
7	U 87	SPARE	↑						
8	U 88	MCM6665-20							
9	U 89	SPARE							
10	U 90	MCM6665-20							
11	U 91	SPARE							
12	U 92	MCM6665-20	↓						
13	U 93	SPARE	20						
14	U 94	74LS166	10						
15	U 95	74S374	8						
16	U 96	MCM6665-20	20						
17	U 97	SPARE	↑						
18	U 98	MCM6665-20							
19	U 99	SPARE							
20	U 100	MCM6665-20							
21	U 101	SPARE							
22	U 102	MCM6665-20	↓						
23	U 103	SPARE	20						
24	U 104	74S374	4						
25	U 105	MCM6665-20	20						
26	U 106	SPARE	↑						
27	U 107	MCM6665-20							
28	U 108	SPARE							
29	U 109	MCM6665-20							
30	U 110	SPARE							
31	U 111	MCM6665-20	↓						
32	U 112	SPARE	20						
33	U 113	74LS166	10						
34	U 114	74S374	8						
35	U 115	74S374	14						
36	U 116	74S374	14						
37	U 117	MCM6665-20	20						
38	U 118	SPARE	↑						
39	U 119	MCM6665-20	↓						
40	U 120	SPARE	20						

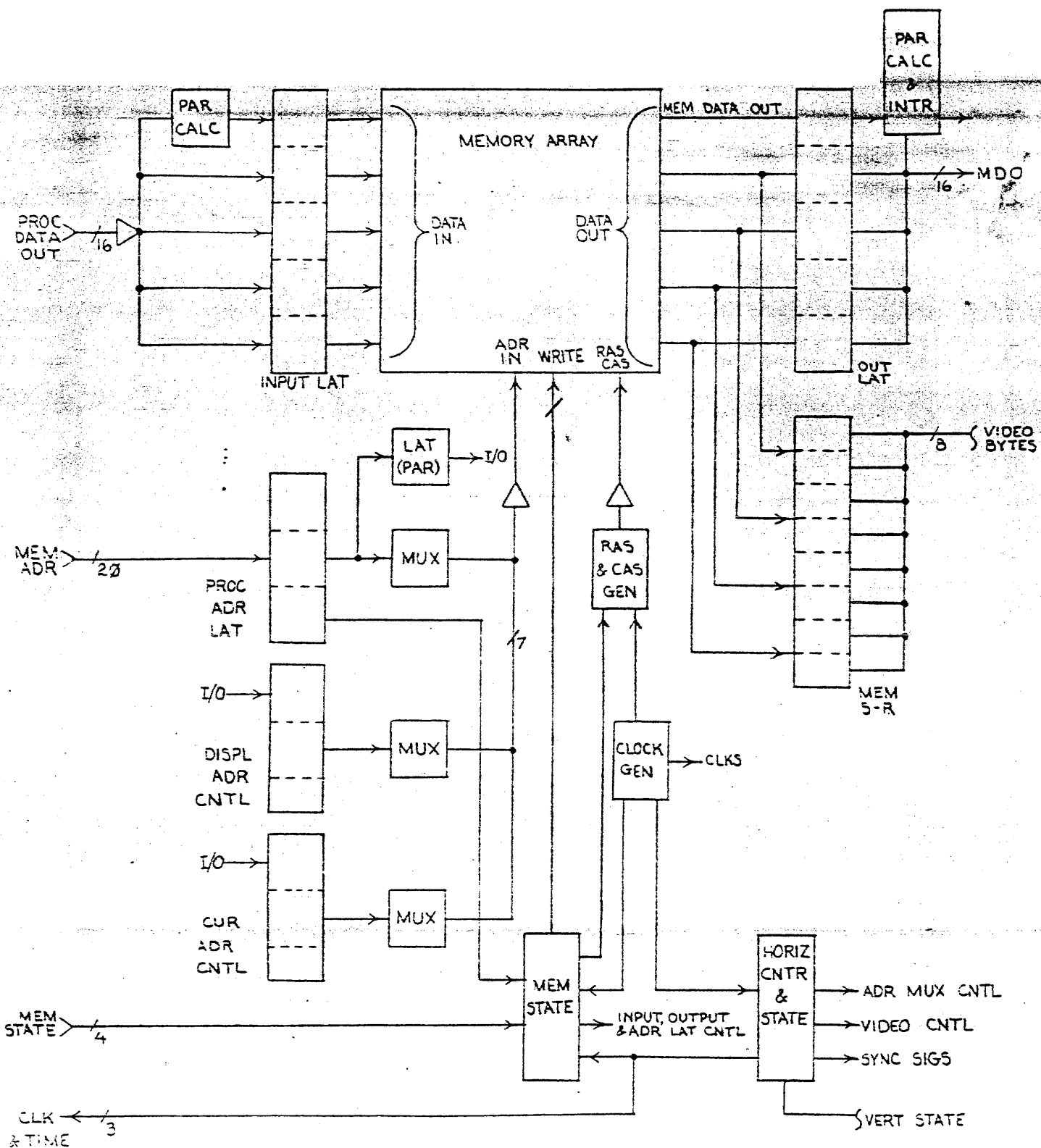
			PG.						
1	U	121	MCM6665-20	20					
2	U	122	SPARE	↑					
3	U	123	MCM6665-20	↓					
4	U	124	SPARE	20					
5	U	125	74S374	7					
6	U	126	74S374	5					
7	U	127	MCM6665-20	20					
8	U	128	SPARE	↑					
9	U	129	MCM6665-20						
10	U	130	SPARE						
11	U	131	MCM6665-20						
12	U	132	SPARE						
13	U	133	MCM6665-20	↓					
14	U	134	SPARE	20					
15	U	135	74LS166	9					
16	U	136	MCM6665-20	20					
17	U	137	SPARE	↑					
18	U	138	MCM6665-20						
19	U	139	SPARE						
20	U	140	MCM6665-20						
21	U	141	SPARE						
22	U	142	MCM6665-20	↓					
23	U	143	SPARE	20					
24	U	144	74S374	7					
25	U	145	74LS374	23					
26	U	146	74S174	14					
27	U	147	74S374	5					
28	U	148	MCM6665-20	20					
29	U	149	SPARE	↑					
30	U	150	MCM6665-20						
31	U	151	SPARE						
32	U	152	MCM6665-20						
33	U	153	SPARE						
34	U	154	MCM6665-20	↓					
35	U	155	SPARE	20					
36	U	156	74LS166	9					
37	U	157	74S280	6					
38	U	158	74S74	3					
39	U	159	MCM6665-20	20					
40	U	160	SPARE	20					

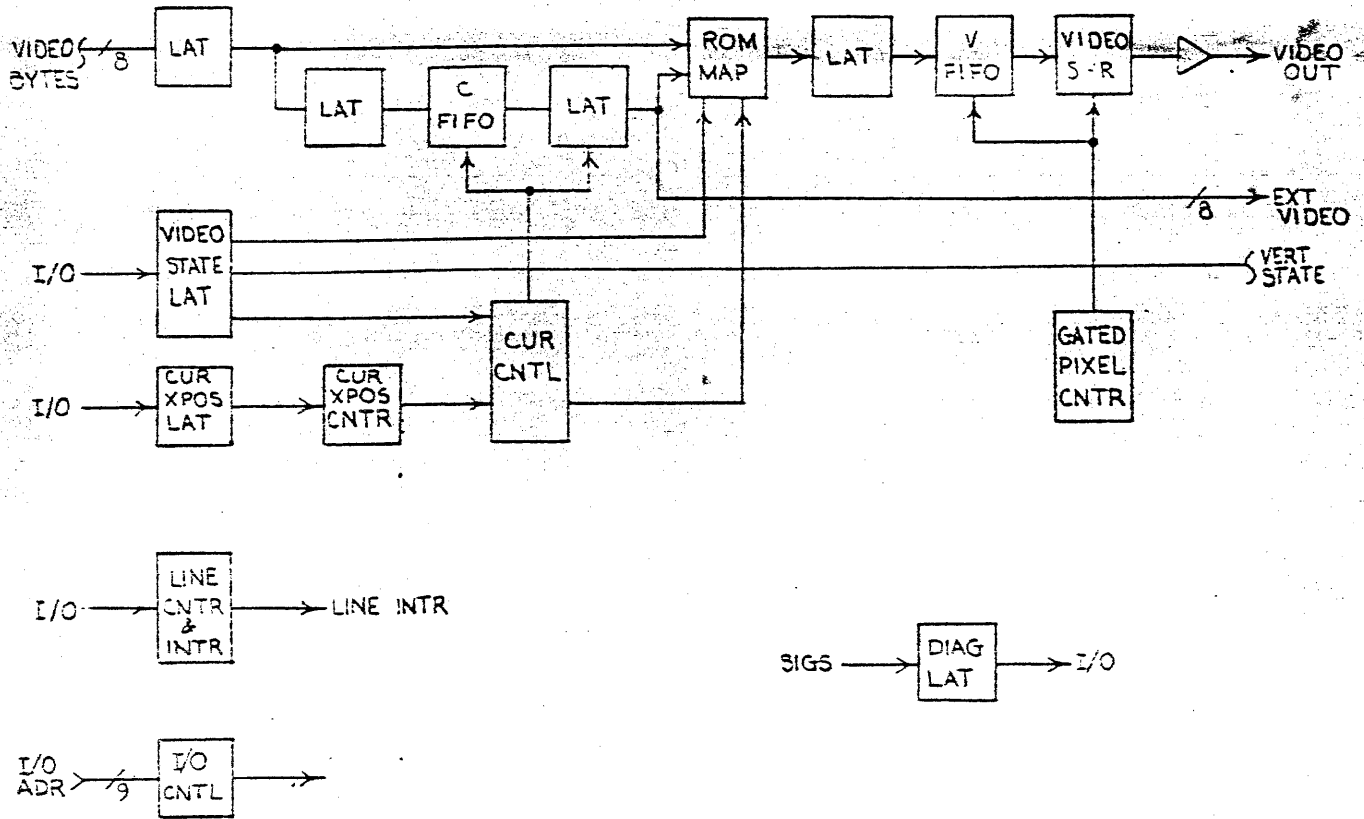
			PG.		
1	U 201	74S258	28		
2	U 202	74S258	28		
3	U 203	74S258	14		
4	U 204	74S258	14		
5	U 205	74S112	24		
6	U 206	74S112	24		
7	U 207	74S112	25		
8	U 208	74S00	4,5		
9	U 209	74LS374	27		
10	U 210	74S00	14	22, 26, 27	
11	U 211	74S37	25		
12	U 212	74LS163	22		
13	U 213	74LS374	22		
14	U 214	74LS374	15		
15	U 215	74LS197	28		
16	U 216	74LS197	28		
17	U 217	74LS393	28		
18	U 218	74S112	24		
19	U 219	74S112	24		
20	U 220	74S112	25		
21	U 221	74S08	25, 27		
22	U 222	HMI-7649-B5546	27		
23	U 223	74S175	27		
24	U 224	74S175	27		
25	U 225	74LS163	22		
26	U 226	74LS174	22		
27	U 227	74LS393	15		
28	U 228	74LS197	15		
29	U 229	74LS197	28		
30	U 230	SPARE	-		
31	U 231	74S112	24		
32	U 232	74S30	24		
33	U 233	74S32	25, 27		
34	U 234	HMI-7649-B5546	27		
35	U 235	74S74	22, 23		
36	U 236	74S10	23, 25		
37	U 237	74LS374	22		
38	U 238	74S197	22		
39	U 239	74S197	22		
40	U 240	74LS240	23		

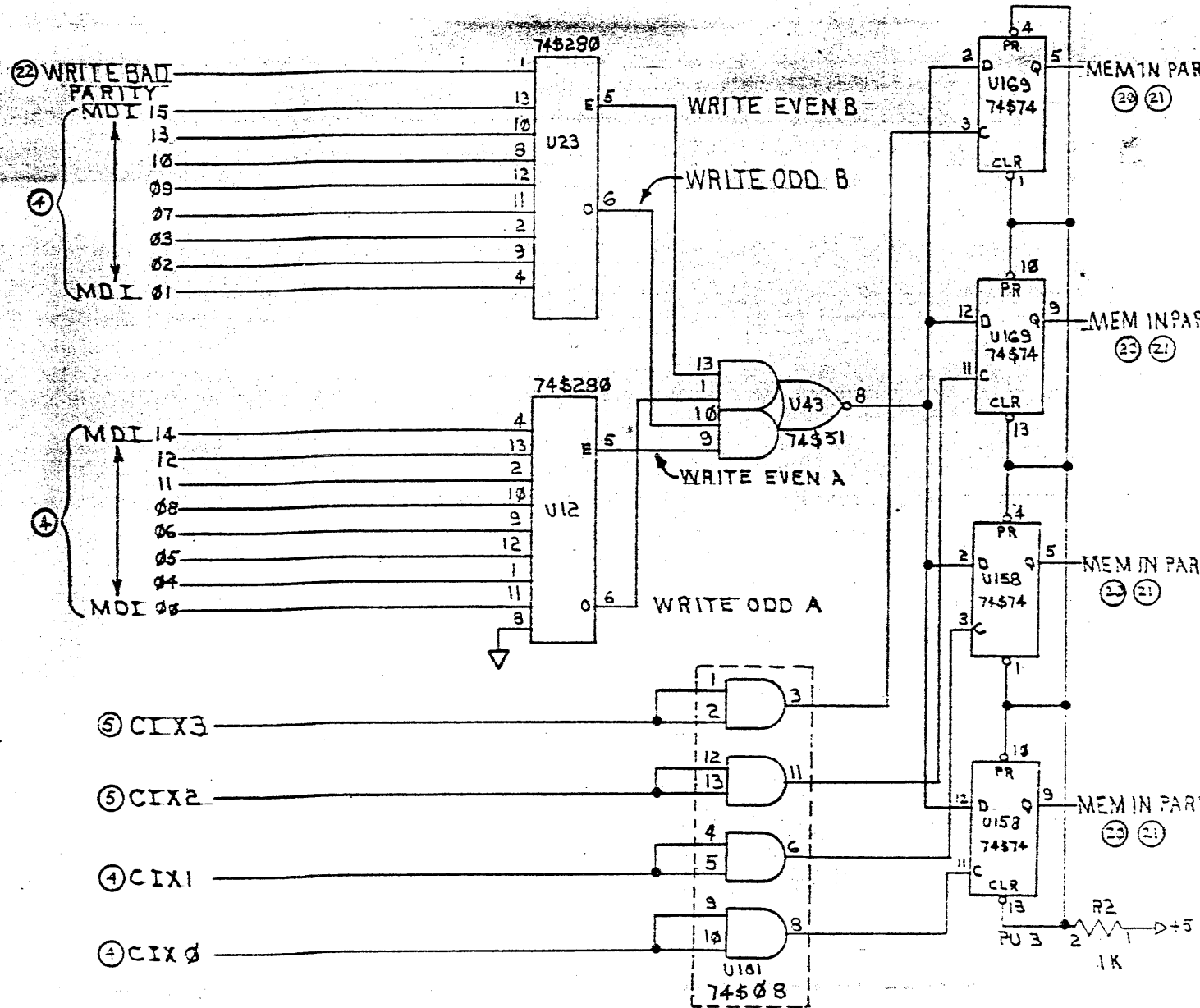
			Pg.						
1	R 1	CB1025	4						
2	R 2	CB1025	3						
3	R 3	CB4705	9						
4	R 4	CB1025	6						
5	R 5	CB1025	14						
6	R 6	784-3-R33	16						
7	R 7	SPARE	-						
8	R 8	784-3-R33	17						
9	R 9	SPARE	-						
10	R 10	784-3-R33	18						
11	R 11	SPARE	-						
12	R 12	784-3-R33	19						
13	R 13	SPARE	-						
14	R 14	784-3-R33	16						
15	R 15	SPARE	-						
16	R 16	784-3-R33	17						
17	R 17	SPARE	-						
18	R 18	784-3-R33	18						
19	R 19	SPARE	-						
20	R 20	784-3-R33	19						
21	R 21	SPARE	-						
22	R 22	784-3-R33	16						
23	R 23	SPARE	-						
24	R 24	784-3-R33	17						
25	R 25	SPARE	-						
26	R 26	784-3-R33	18						
27	R 27	SPARE	-						
28	R 28	784-3-R33	19						
29	R 29	SPARE	-						
30	R 30	CB1025	25						
31	R 31	JAANI	23						
32	R 32	CB1025	24						
33	R 33	CB1025	22						
34	R 34	CB1025	22						
35	R 35	CB1025	28						
36	R 36	CB1025	23						
37	R 37	CB3305	24						
38	R 38	CB1005	24						
39	R 39	CB4675	24						
40	R 40	CB1025	26						

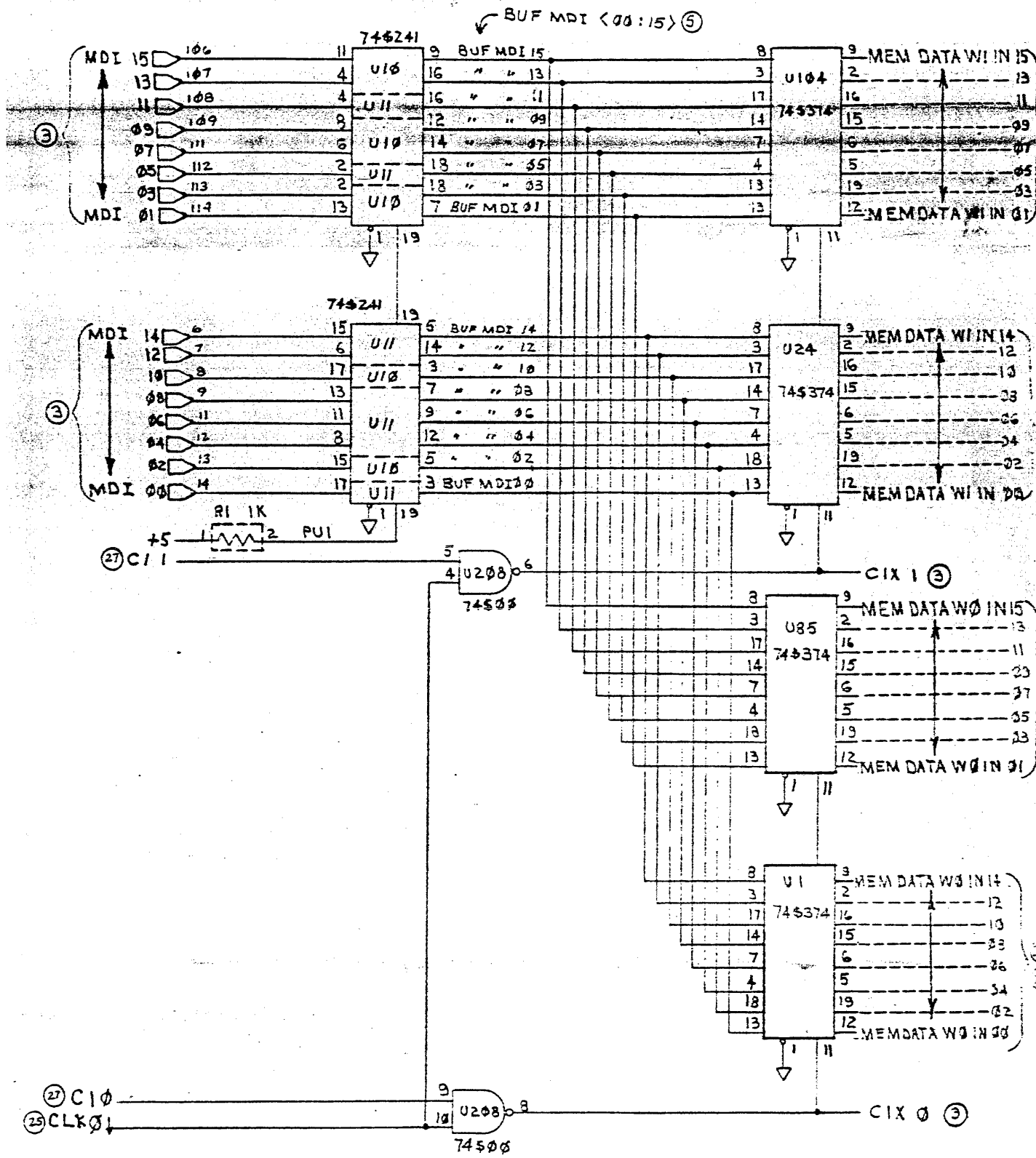
1	R 41	CB1025		12
2	R 42	CB3305		26
3	R 43	CB3305		26
4	R 44	CB1025		26
5	R 45	CB1025		12
6	R 46	CB2215		23
7				
8	D 1	1N4004		24
9	D 2	1N4004		24
10				
11	Q 1	2N3866		24
12				
13	L 1	WEE-1.0μH		24
14	L 2	G317-4		24
15	L 3	WEE-1.0μH		24
16			QTY	LOCATIONS
17		514AG37D	1	U247
18		516AG37D	8	U21, U41, U63, U82, U94, U113, U135, U154
19		518AG37D	3	U274, U275, U276
20		520AG37D	4	U222, U234, U257, U269
21				
22	C 1	202A200225MI		
23	C 2	202A200225MI		
24	C 3	202A200225MI		
25	C 4	202A200225MI		
26	C 5	202A200225MI		
27	C 6	CY15C103M		
28	C 7	CY15C103M		
29	C 8	CY15C103M		
30	C 9	202A200225MI		
31	C 10	202A200225MI		
32	C 11	202A200225MI		
33	C 12	CY15C103M		
34	C 13	CY15C103M		
35	C 14	CY15C103M		
36	C 15	202A200225MI		
37	C 16	CY15C103M		
38	C 17	CY15C103M		
39	C 18	202A200225MI		
40				

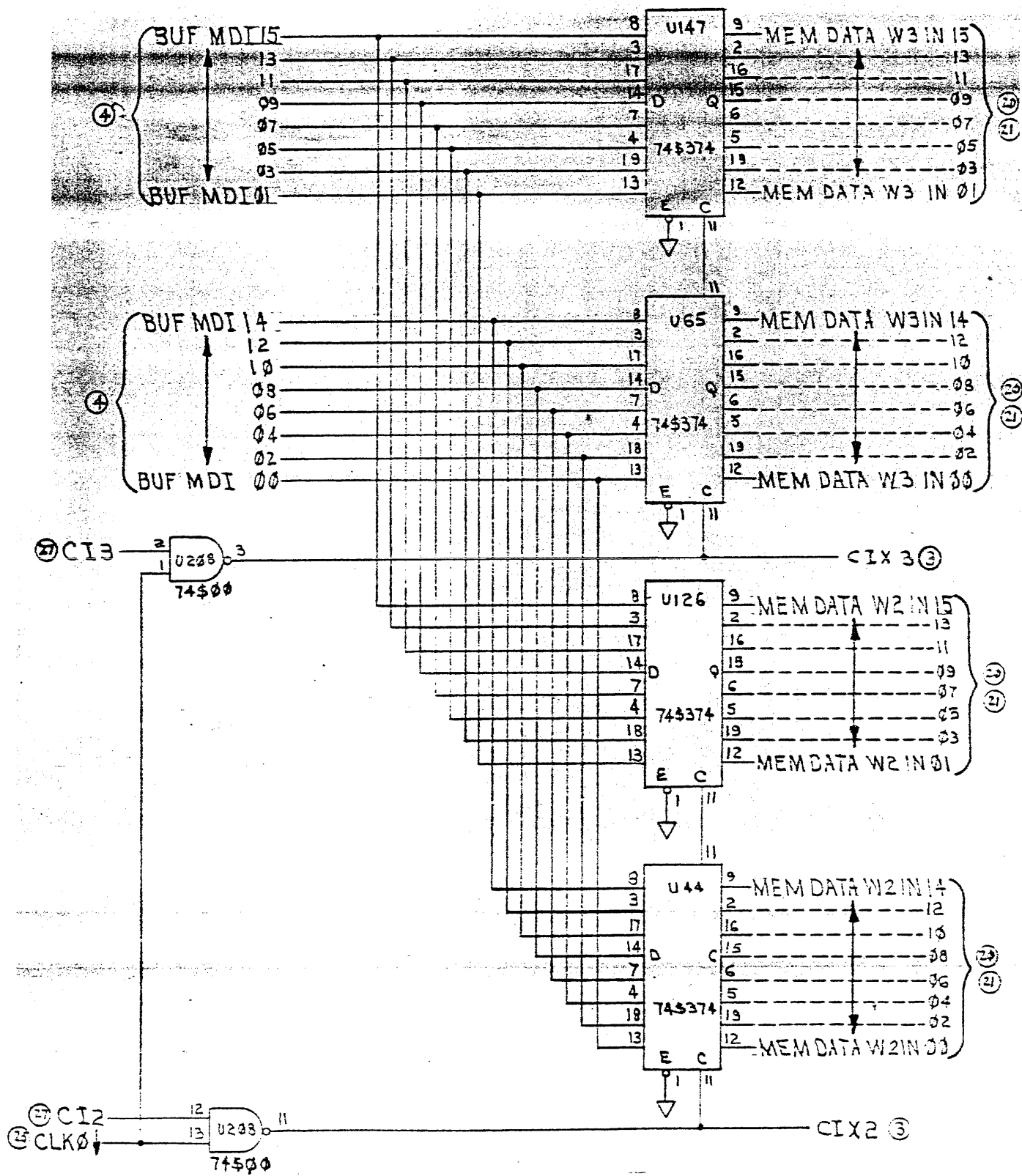
	1	2
1	C 139	202A200225MI
2	C 140	CY15C103M
3	C 141	CY15C103M
4	C 142	202A200225MI
5	C 143	CY15C103M
6	C 144	202A200225MI
7	C 145	CY15C103M
8	C 146	CY15C103M
9	C 147	CY15C103M
10	C 148	CY15C103M
11	C 149	CY15C103M
12	C 150	CY15C103M
13	C 151	CY15C103M
14	C 152	CY15C103M
15	C 153	202A200225MI
16	C 154	CY15C103M
17	C 155	CY15C103M
18	C 156	202A200225MI
19	C 157	CY15C103M
20	C 158	202A200225MI
21	C 159	CY15C103M
22	C 160	202A200225MI
23	C 161	202A200225MI
24	C 162	CY15C103M
25	C 163	202A200225MI
26	C 164	CY15C103M
27	C 165	CY15C103M
28	C 166	DD101
29	C 167	DD102
30	C 168	DD181
31	C 169	CY15C103M
32	C 170	202A200225MI
33	C 171	CY15C103M
34	C 172	DD270
35	C 173	CY15C103M
36	C 174	202A200225MI
37	C 175	CY15C103M
38	C 176	202A200225MI
39	C 177	CY15C103M
40	C 178	202A200225MI

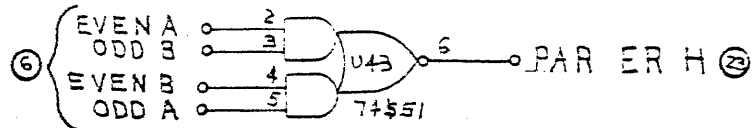
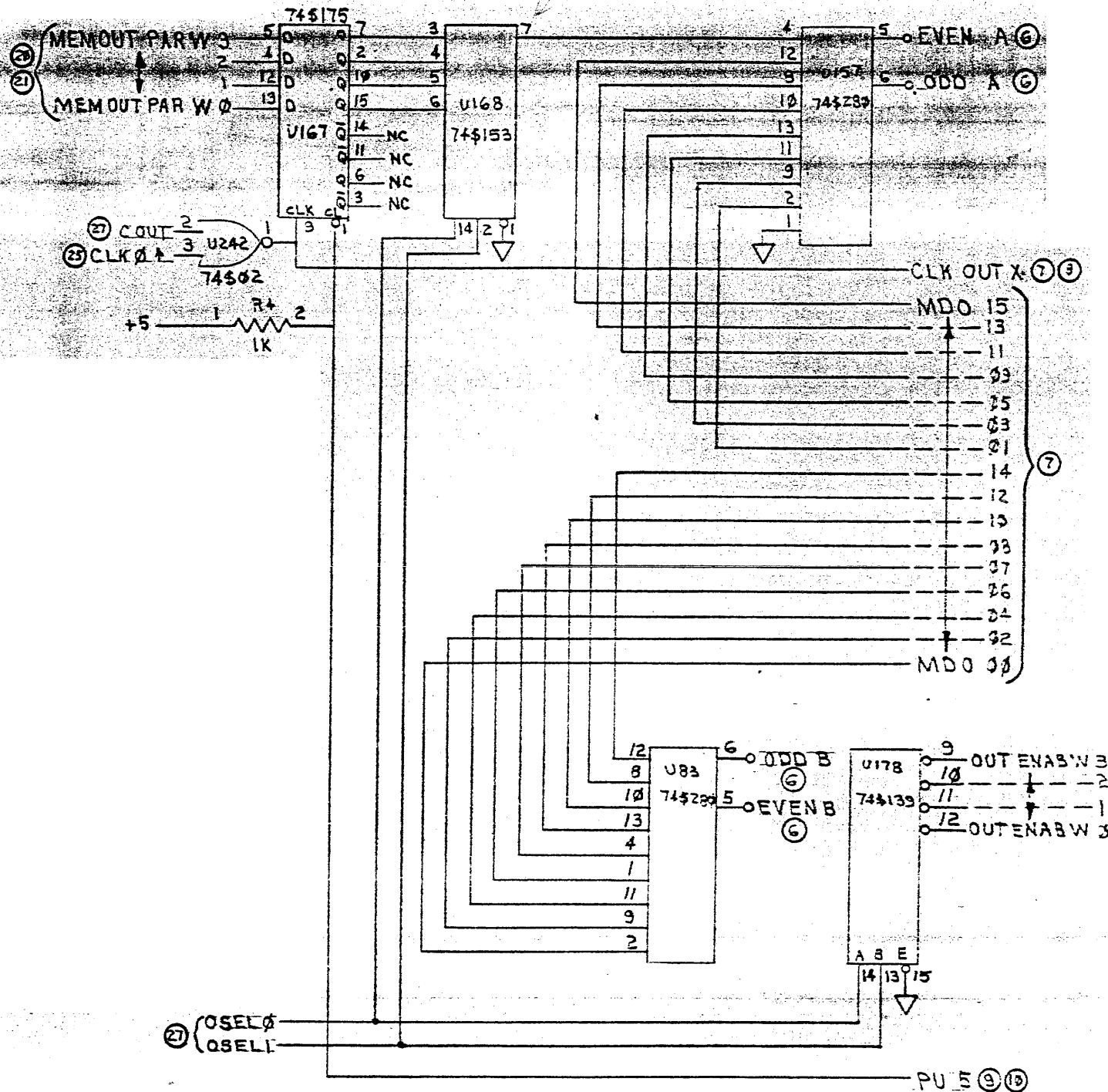


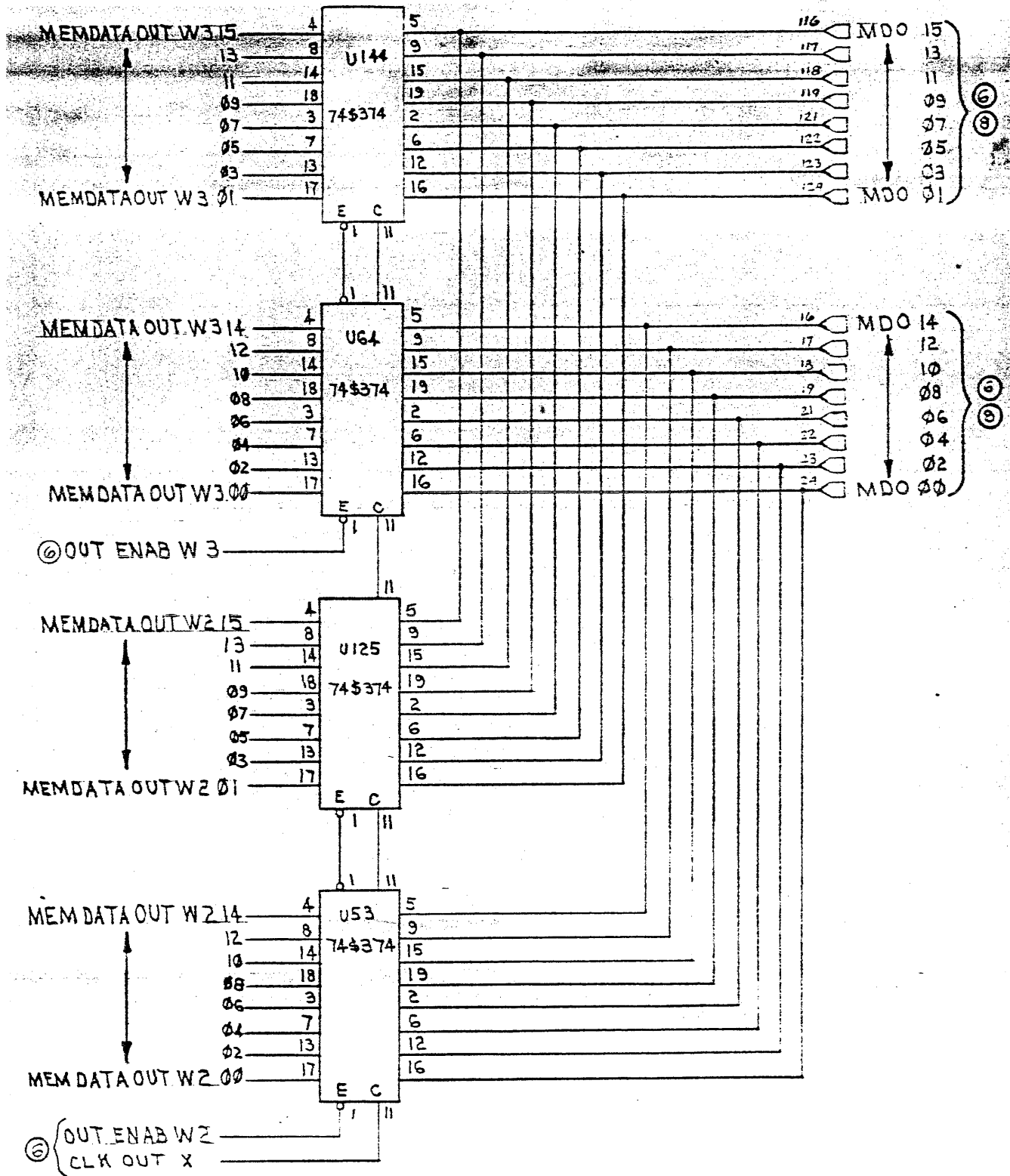


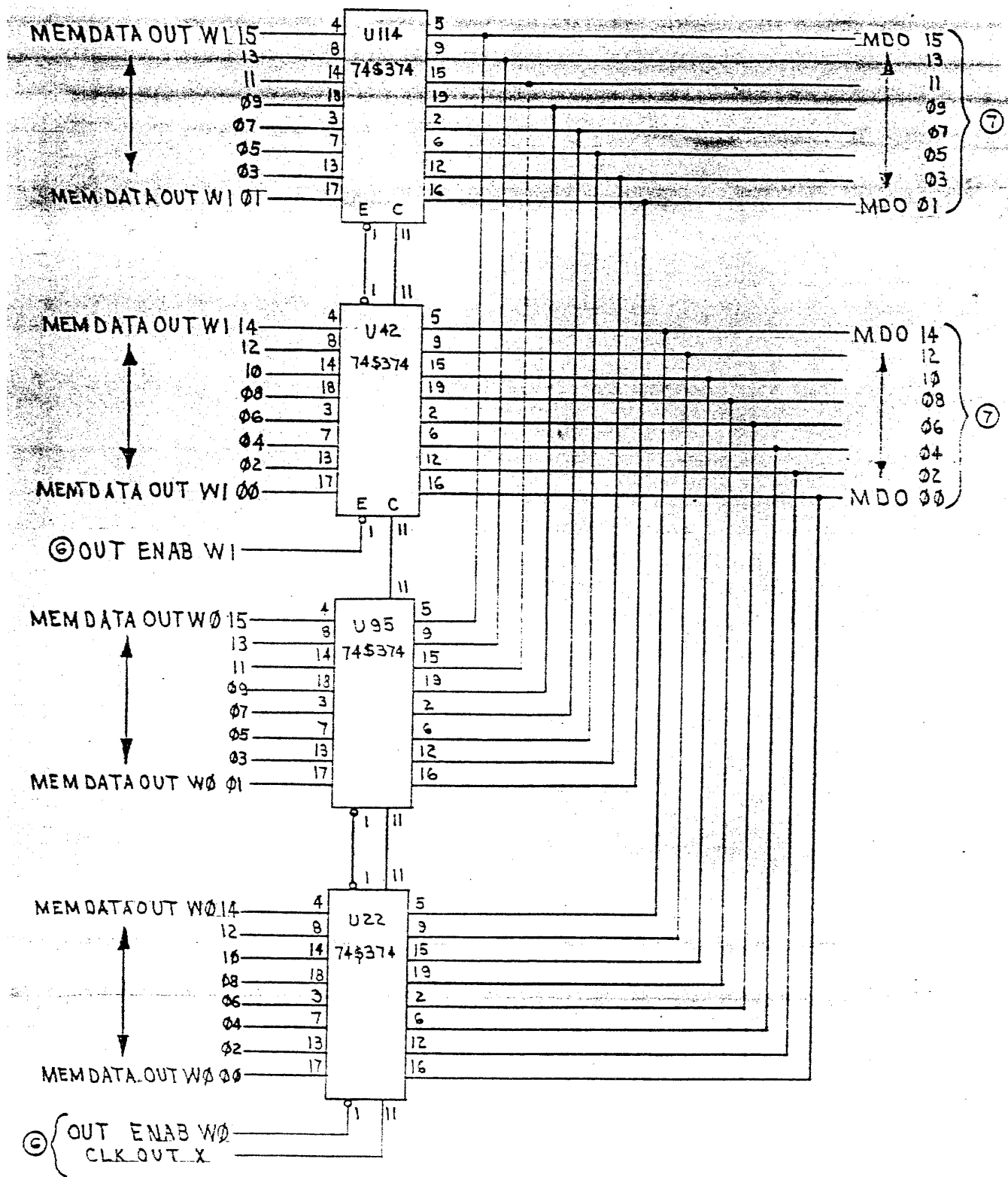


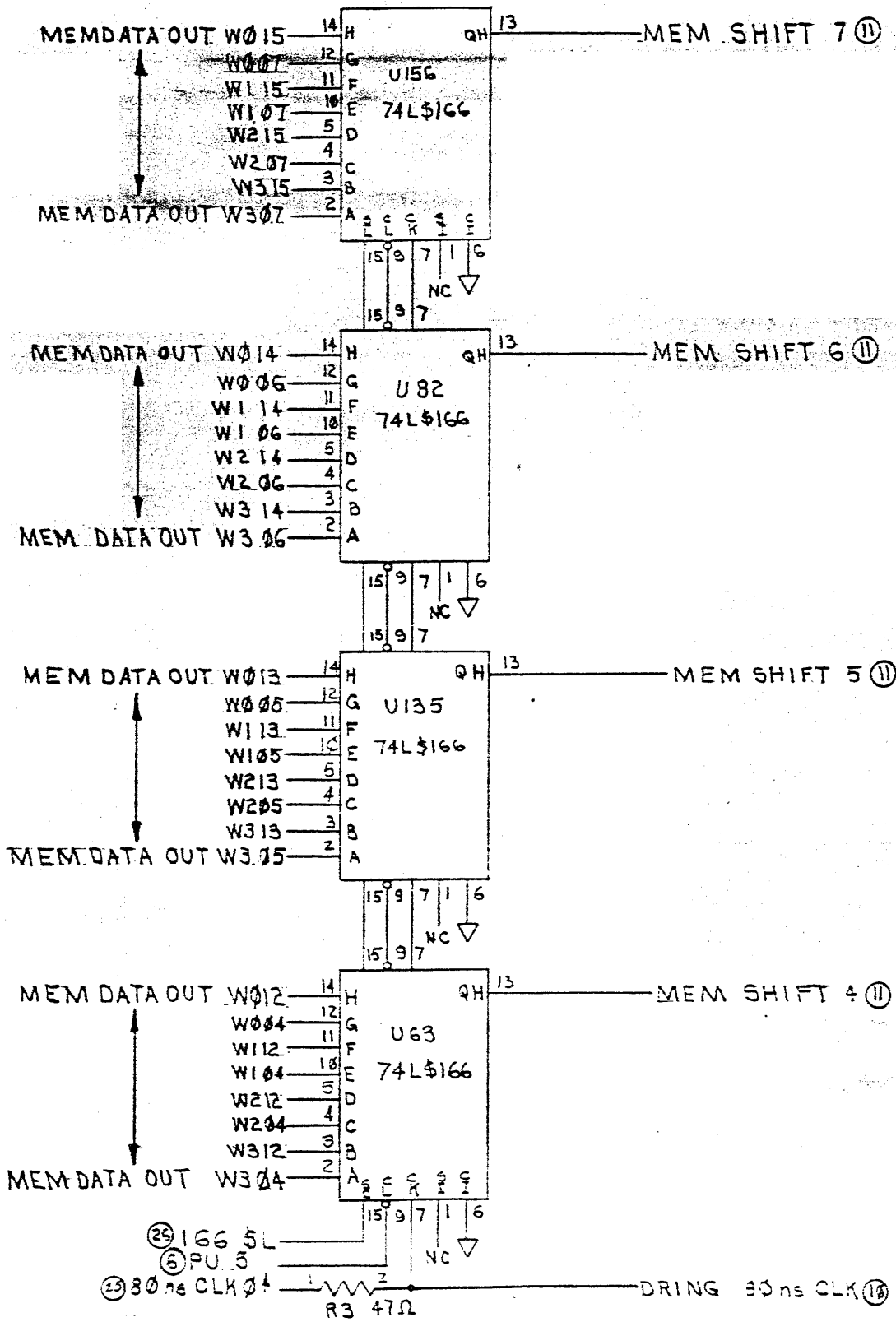


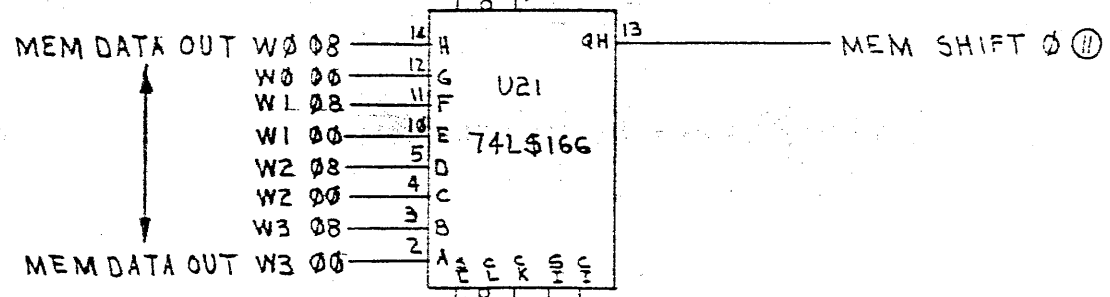
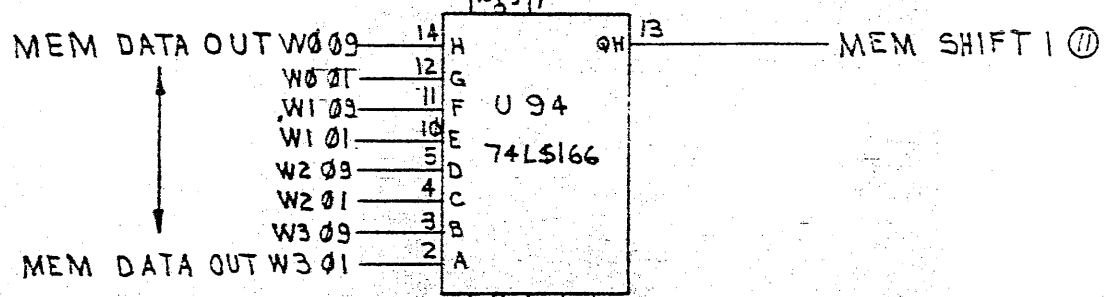
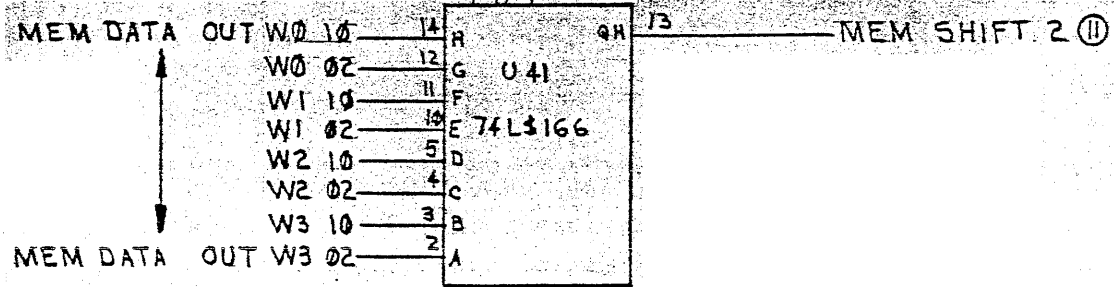
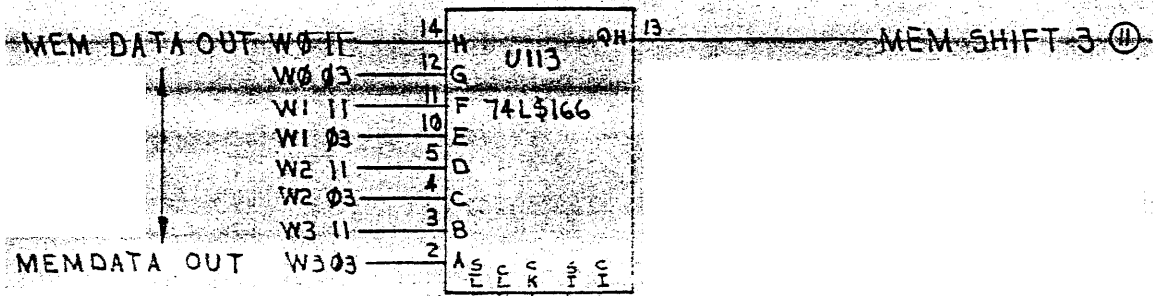




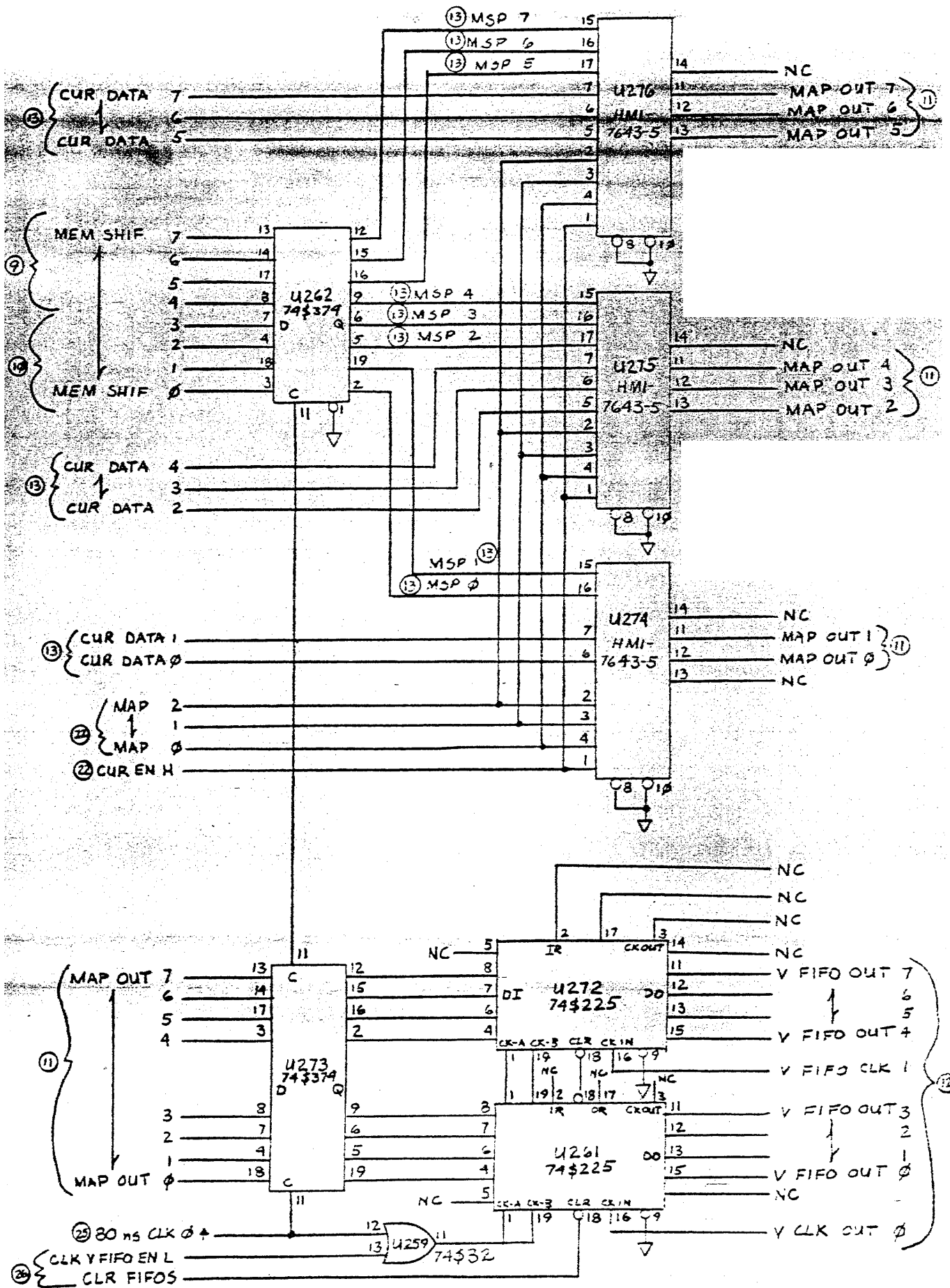


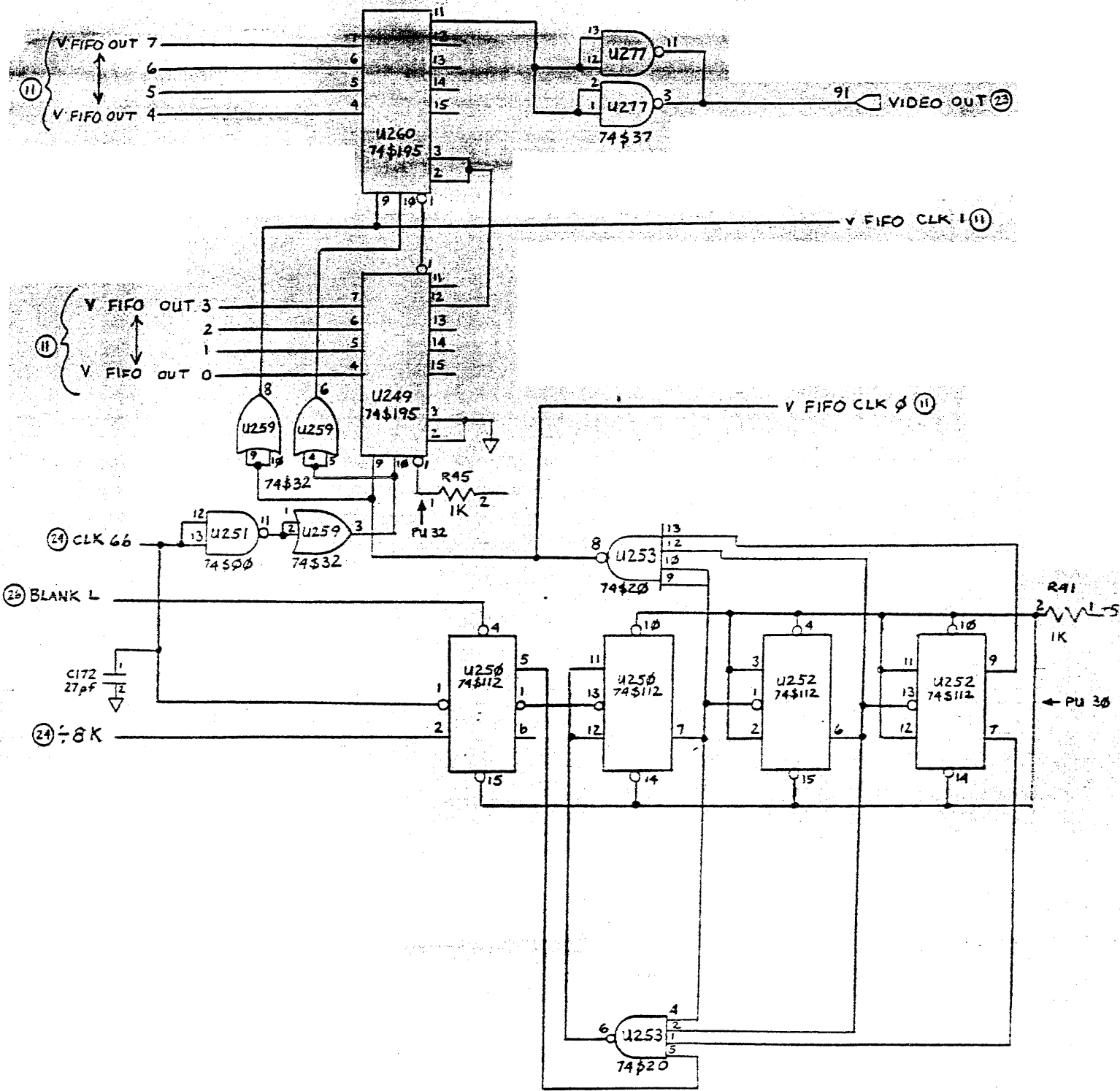


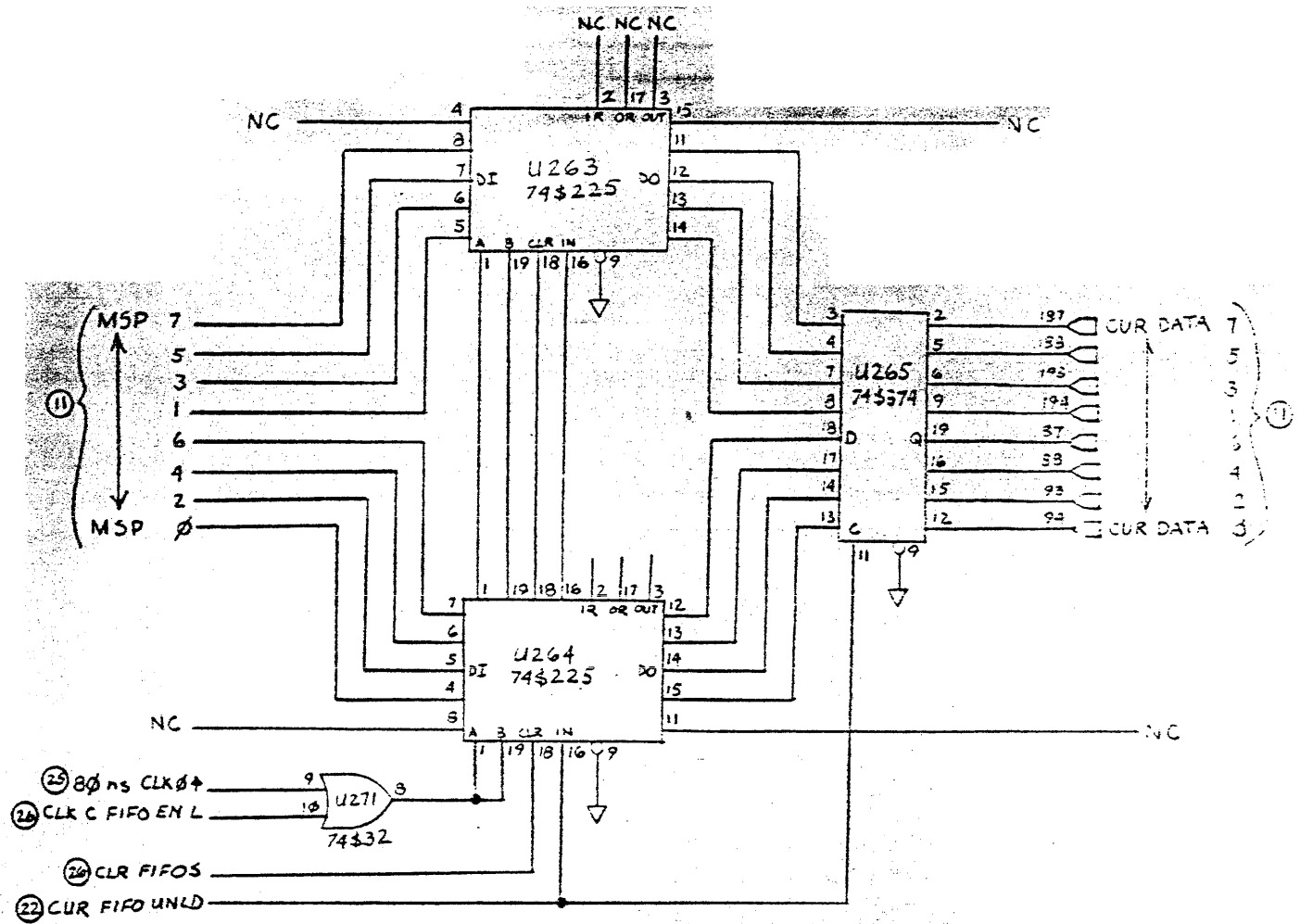


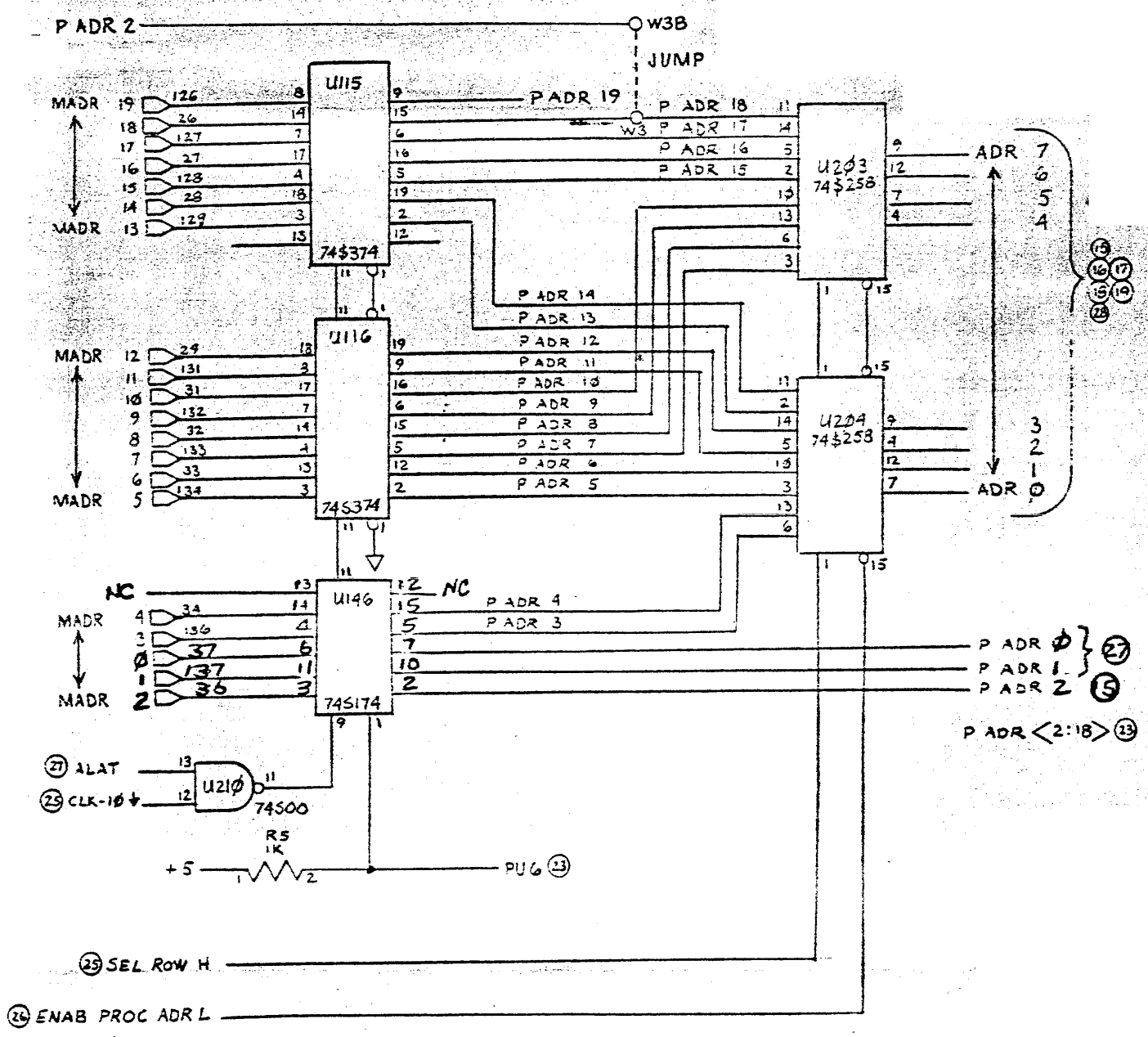


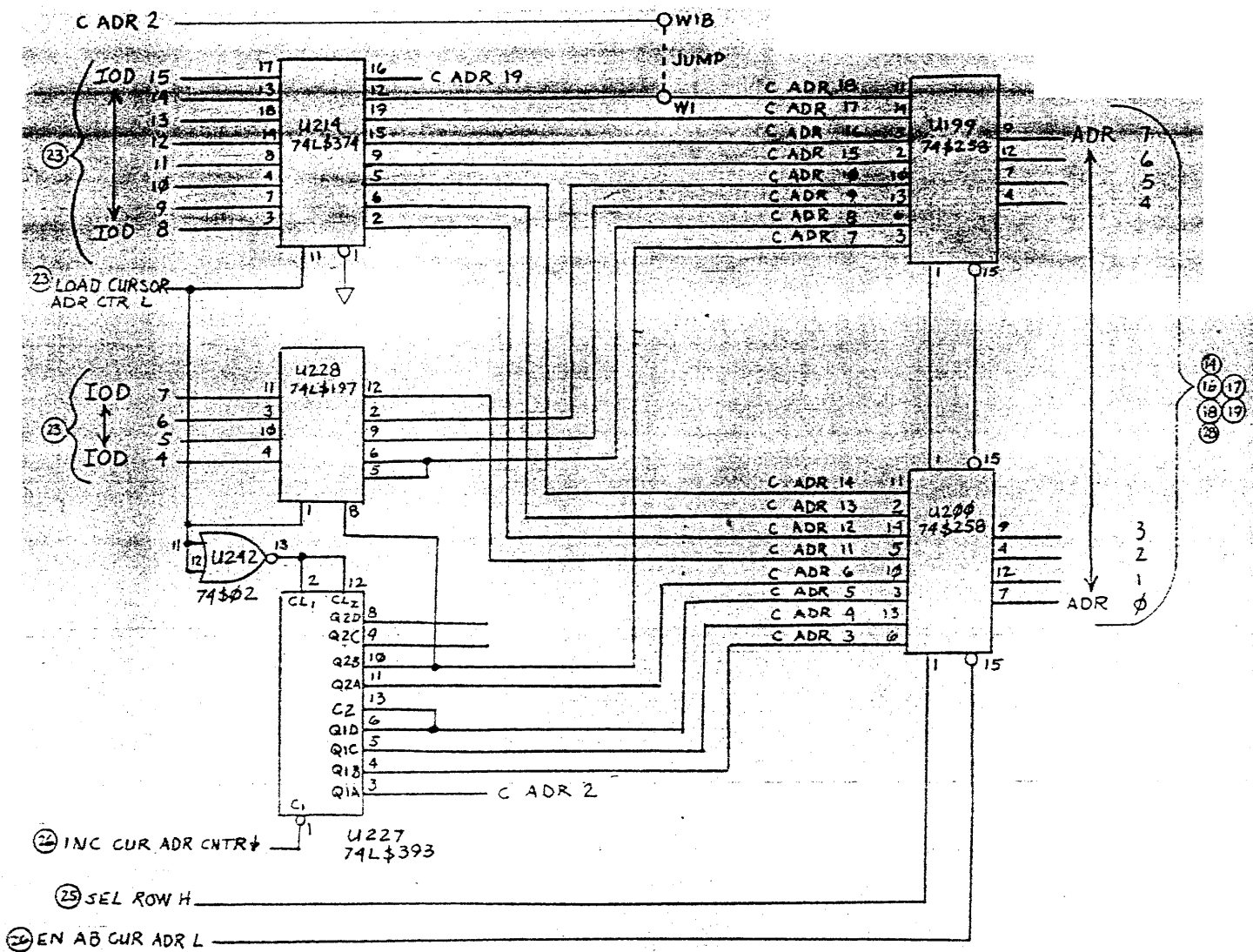
- ② 166 \$ L
- ⑥ PU 3
- ③ DRING 30ns CLX

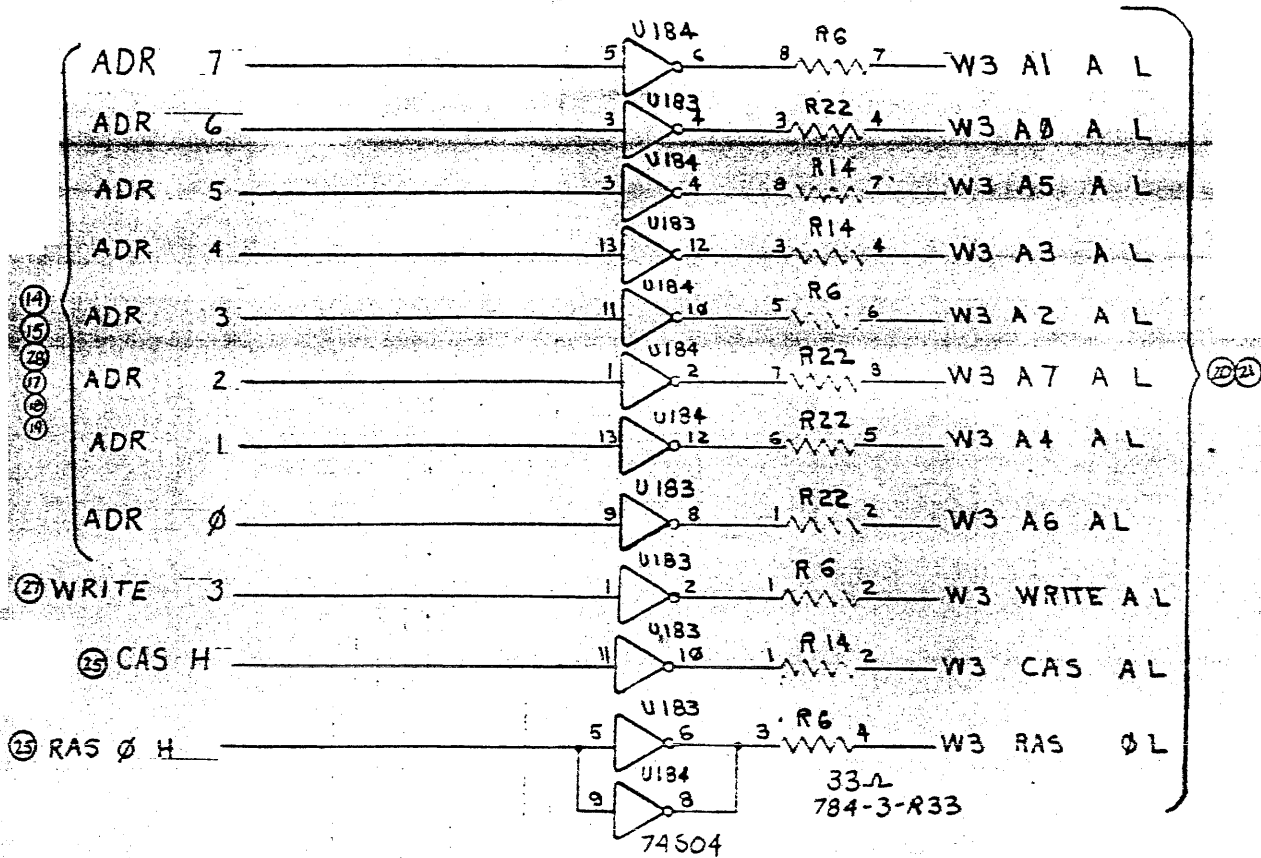


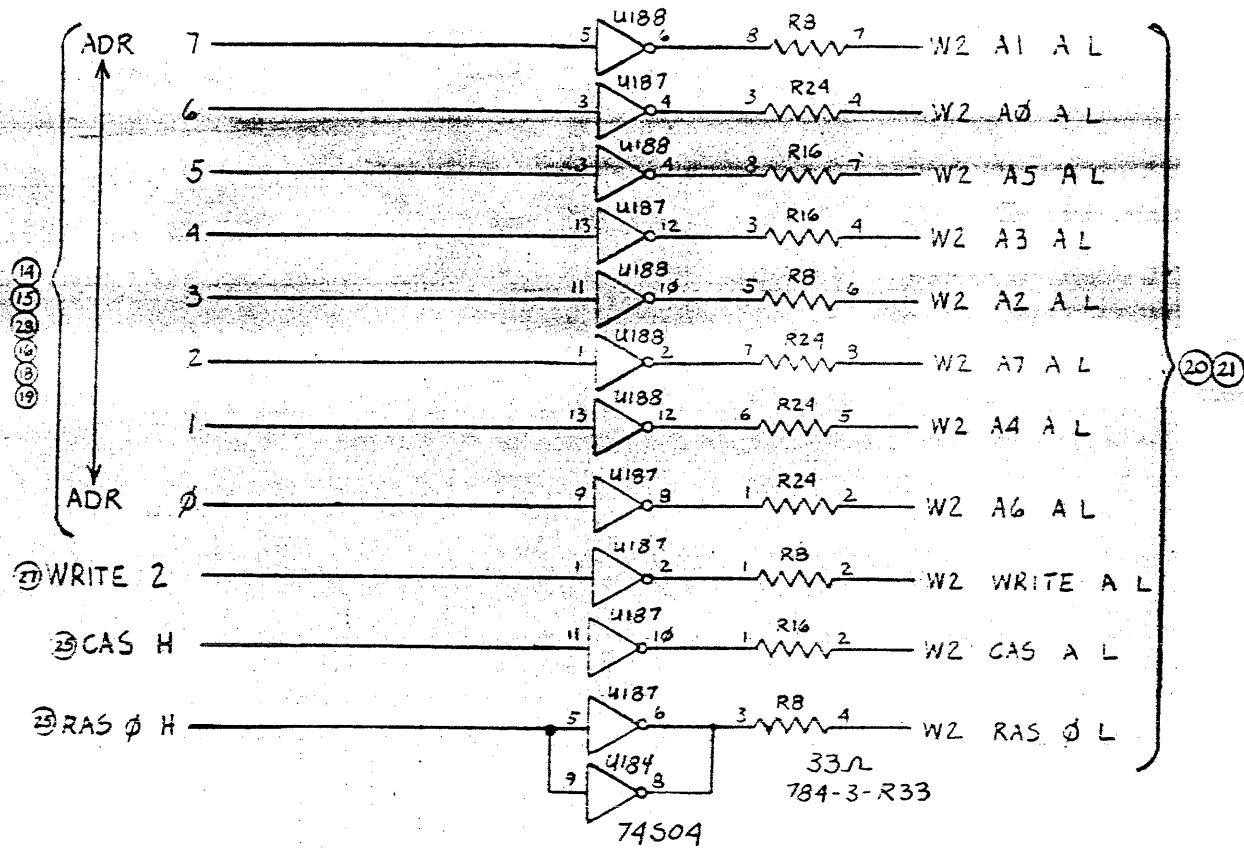


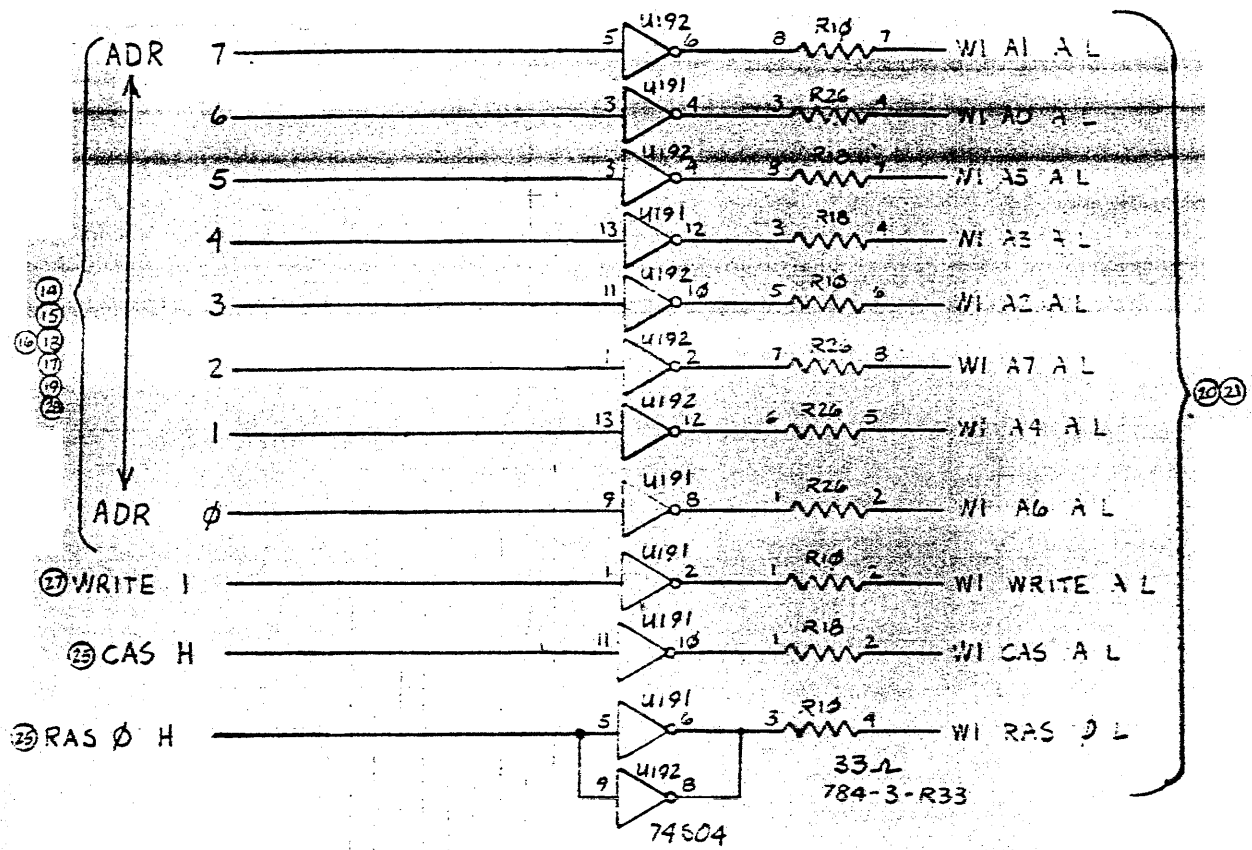


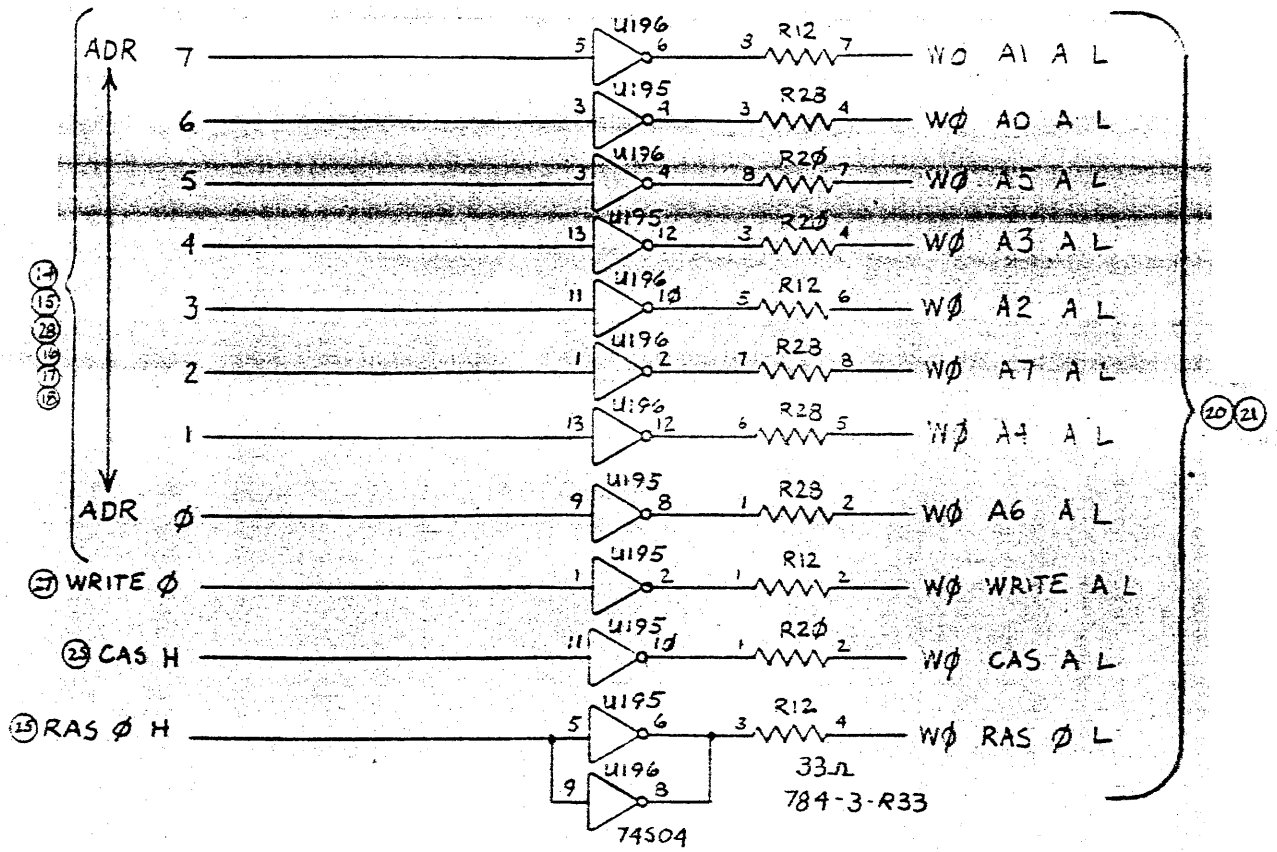




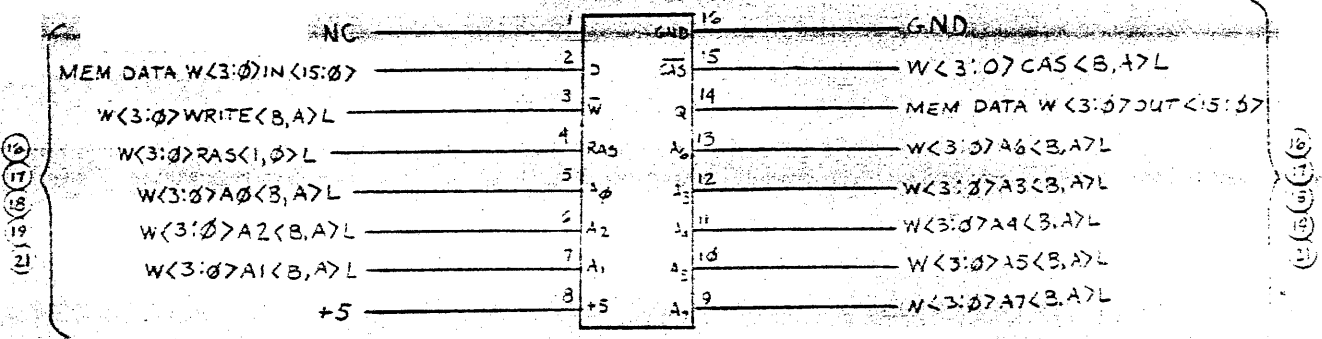




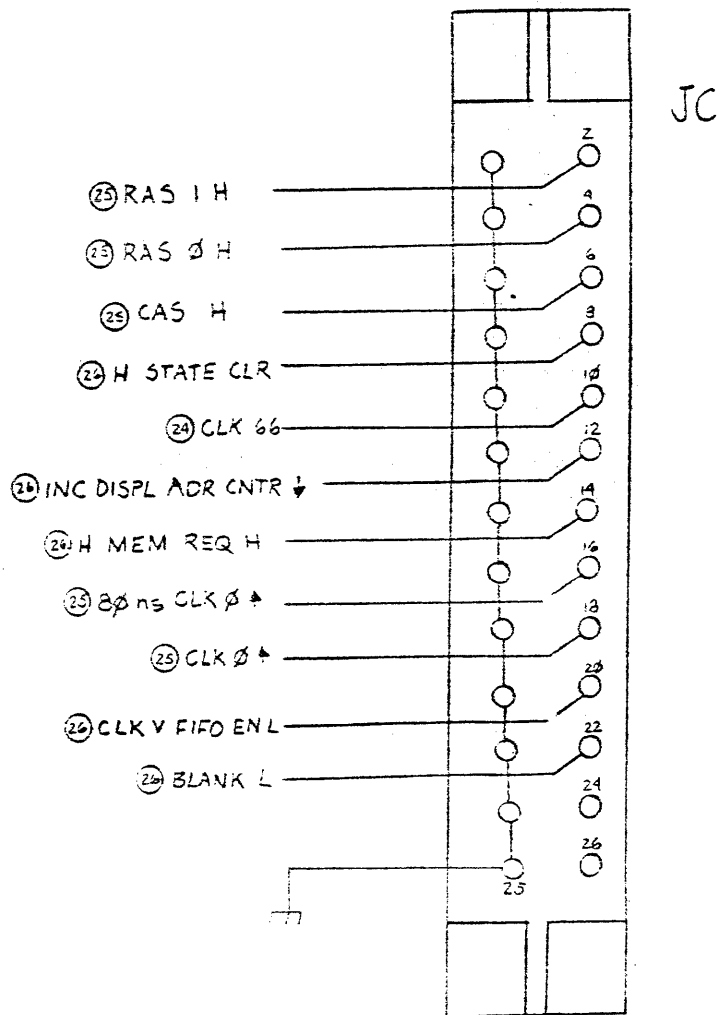


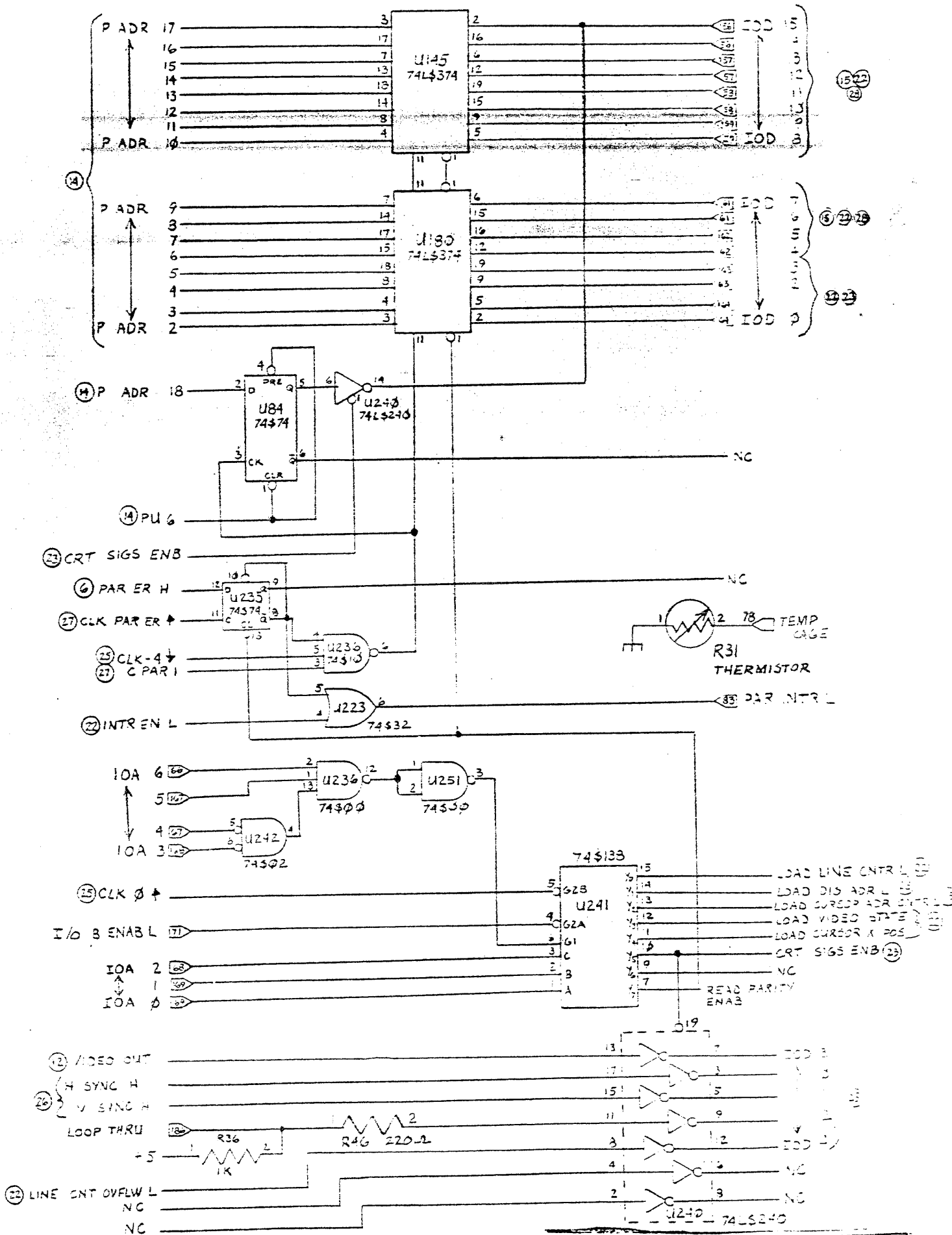


MCM6665-20

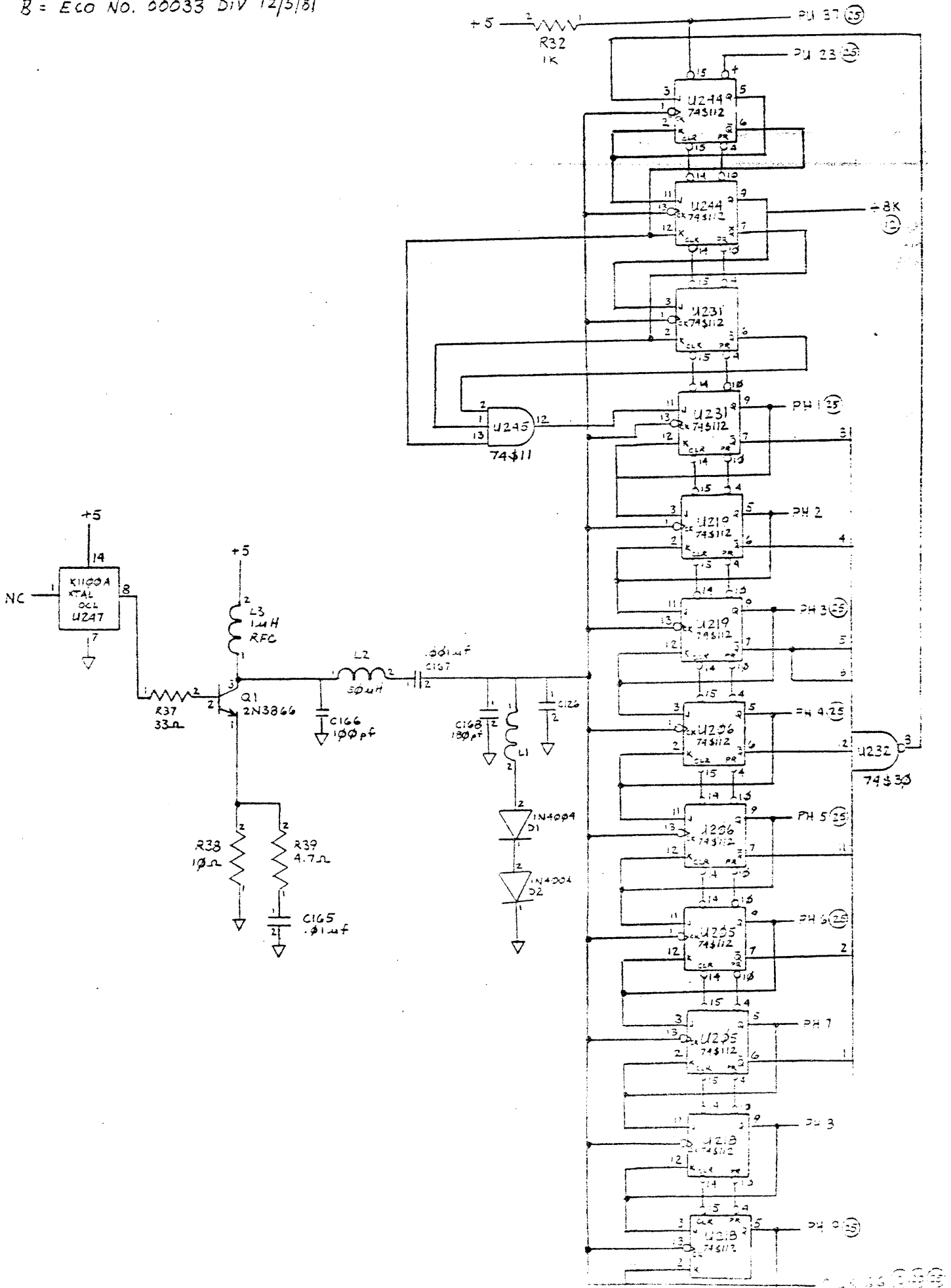


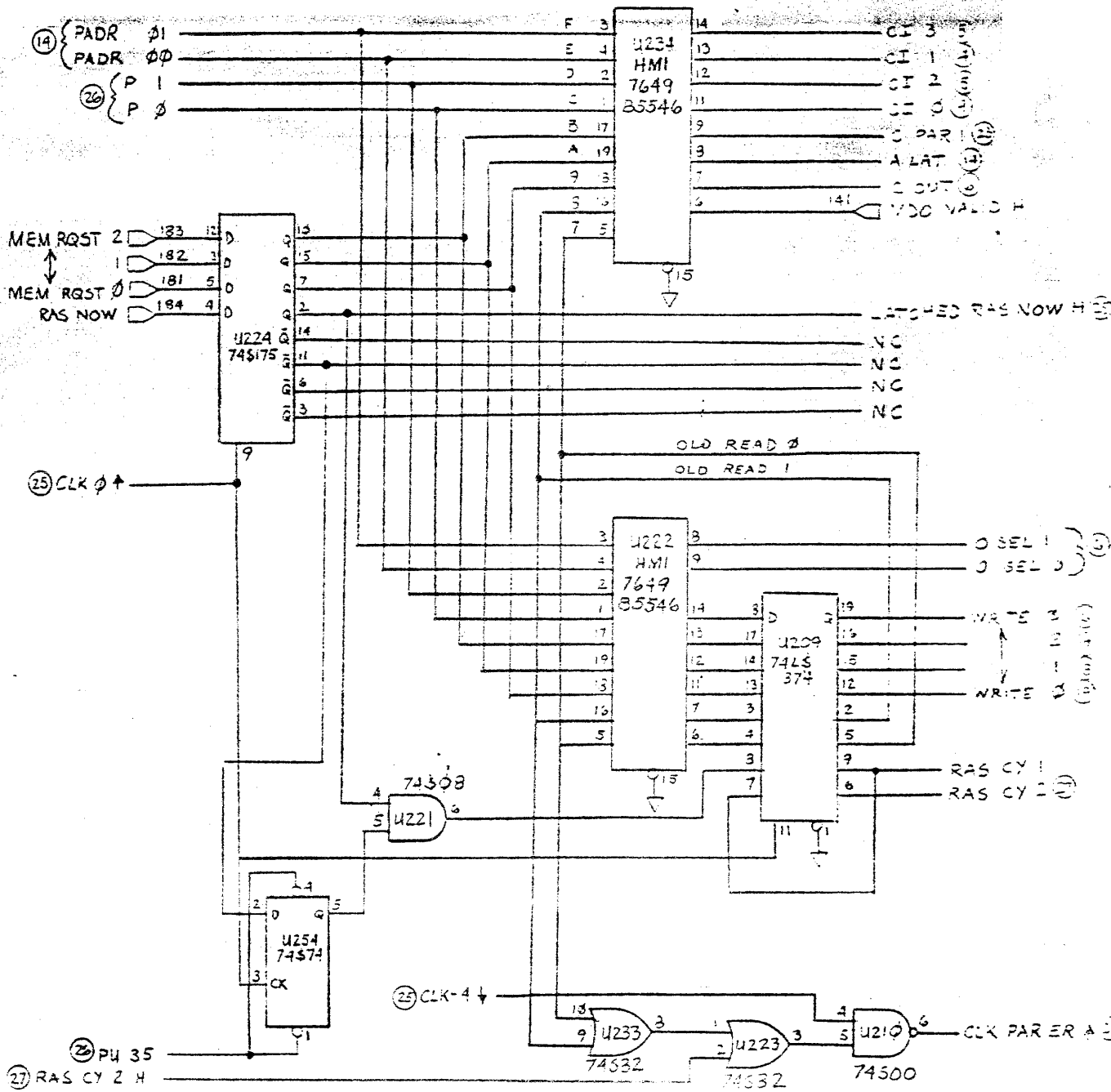
NOTE: I C TYPICAL 136 LOCATIONS ON RAM ARRAY PAGE 21





B = ECO NO. 00033 DIV 12/5/81





Meg

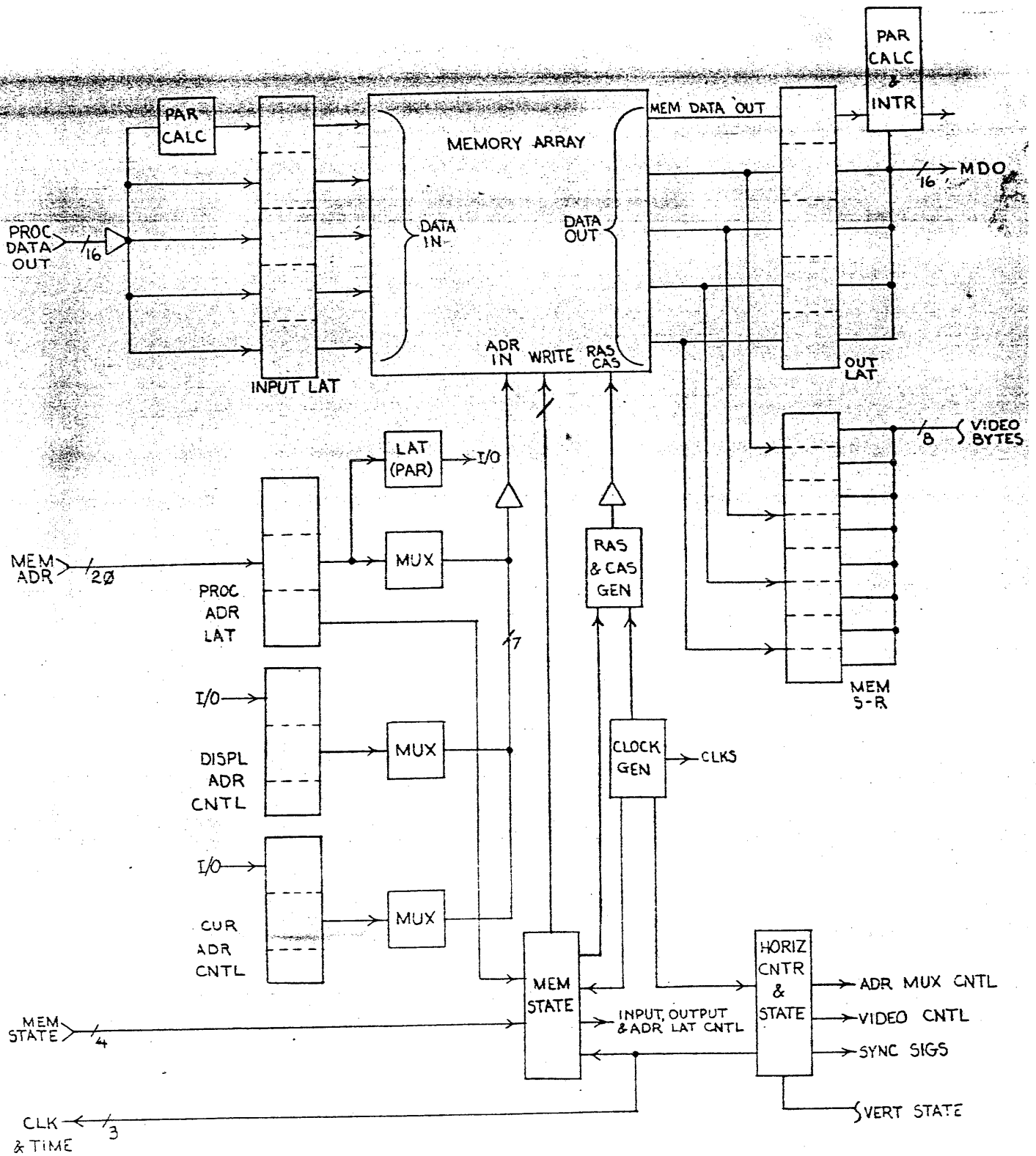
			PG.
1	U 41	74LS166	10
2	U 42	74S374	9
3	U 43	74S51	30
4	U 44	74S374	5
5	U 45	MCM6665-20	20
6	U 46	↑	↑
7	U 47		
8	U 48		
9	U 49		
10	U 50		
11	U 51	↓	↓
12	U 52	MCM6665-20	20
13	U 53	74S374	7
14	U 54	SPARE	-
15	U 55	MCM6665-20	20
16	U 56	↑	↑
17	U 57		
18	U 58		
19	U 59		
20	U 60		
21	U 61	↓	↓
22	U 62	MCM6665-20	20
23	U 63	74LS166	9
24	U 64	74S374	7
25	U 65	74S374	5
26	U 66	MCM6665-20	20
27	U 67	↑	↑
28	U 68		
29	U 69		
30	U 70		
31	U 71		
32	U 72		
33	U 73		
34	U 74		
35	U 75		
36	U 76		
37	U 77		
38	U 78		
39	U 79	↓	↓
40	U 80	MCM6665-20	20

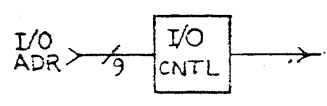
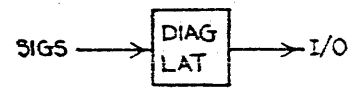
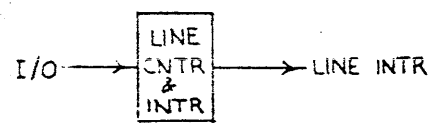
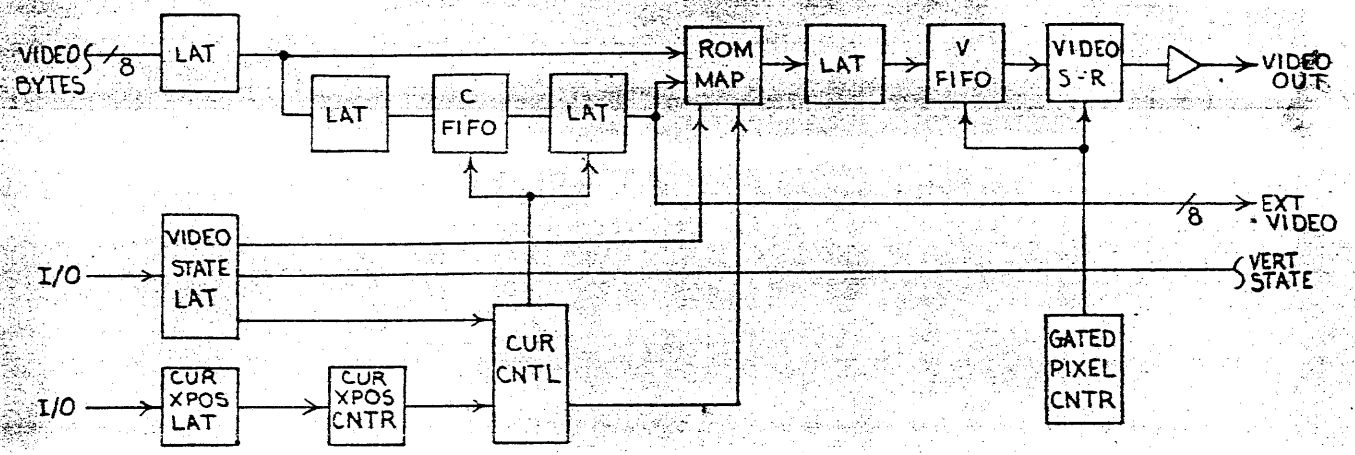
1	U 161	MCM6665-20							20
2	U 162	↑							↑
3	U 163								
4	U 164								
5	U 165	Y							Y
6	U 166	MCM6665-20							20
7	U 167	745175							6
8	U 168	745153							6
9	U 169	74574							3
10	U 170	MCM6665-20							20
11	U 171	↑							↑
12	U 172								
13	U 173								
14	U 174								
15	U 175								
16	U 176	Y							Y
17	U 177	MCM6665-20							20
18	U 178	745139							6, 26
19	U 179	SPARE							-
20	U 180	74LS374							23
21	U 181	74508							3
22	U 182	SPARE							-
23	U 183	74504							16
24	U 184	↑							16
25	U 185								16
26	U 186								16
27	U 187								17
28	U 188								17
29	U 189								17
30	U 190								17
31	U 191								18
32	U 192								18
33	U 193								18
34	U 194								18
35	U 195								19
36	U 196								19
37	U 197	Y							19
38	U 198	74504							19
39	U 199	745258							15
40	U 200	745258							15

1	R 41	CB1025	PC	12
2	R 42	CB3305		26
3	R 43	CB3305		26
4	R 44	CB1025		26
5	R 45	CB1025		12
6	R 46	CB2215		23
7				
8	D 1	1N4004		24
9	D 2	1N4004		24
10				
11	Q 1	2N3866		24
12				
13	L 1	WEE-1.0 uH		24
14	L 2	6317-4		24
15	L 3	WEE-1.0 uH		24
16				
17			QTY	LOCATIONS
18		514AG37D	1	U247
19		516AG37D	8	U21, U41, U63, U82, U94, U113, U135, U156
20		518AG37D	3	U274, U275, U276
21		520AG37D	4	U222, U234, U257, U269
22				
23	C 1	202A200225M1		
24	C 2	↑		
25	C 3	↓		
26	C 4	↓		
27	C 5	202A200225M1		
28	C 6	CY15C103M		
29	C 7	↑		
30	C 8	CY15C103M		
31	C 9	202A200225M1		
32	C 10	↑		
33	C 11	202A200225M1		
34	C 12	CY15C103M		
35	C 13	CY15C103M		
36	C 14	CY15C103M		
37	C 15	202A200225M1		
38	C 16	CY15C103M		
39	C 17	CY15C103M		
40	C 18	202A200225M1		

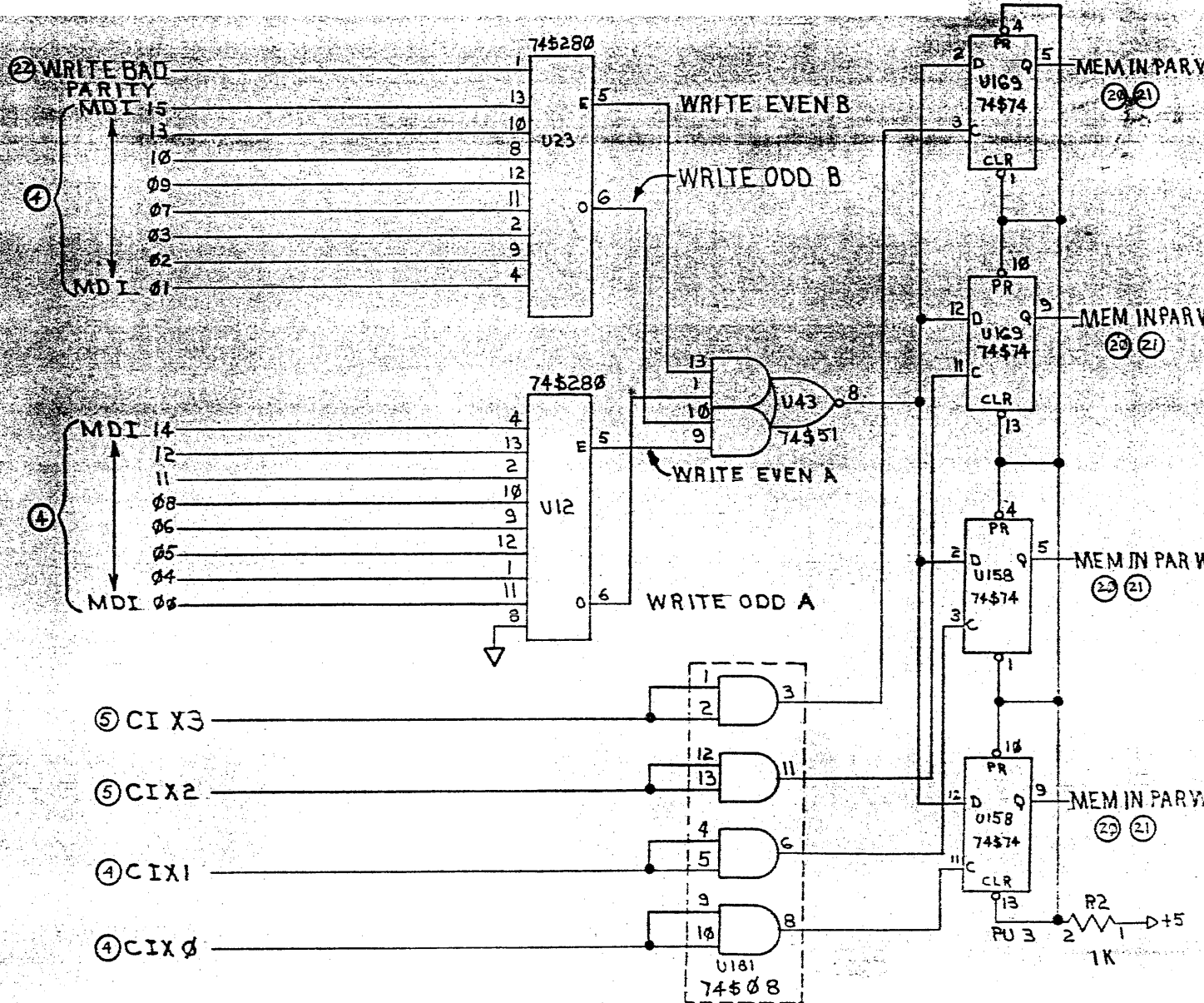
		1	2
1	C 59	CY15C103M	
2	C 60		
3	C 61	CY15C103M	
4	C 62	202A200225M1	
5	C 63	202A200225M	
6	C 64	CY15C103M	
7	C 65	↓	
8	C 66	CY15C103M	
9	C 67	202A200225M1	
10	C 68	CY15C103M	
11	C 69	202A200225M1	
12	C 70	202A200225M1	
13	C 71	CY15C103M	
14	C 72	↓	
15	C 73	CY15C103M	
16	C 74	202A200225M1	
17	C 75	202A200225M1	
18	C 76	CY15C103M	
19	C 77	CY15C103M	
20	C 78	202A200225M1	
21	C 79		
22	C 80		
23	C 81		
24	C 82		
25	C 83		
26	C 84	↓	
27	C 85	202A200225M1	
28	C 86	CY15C103M	
29	C 87	↓	
30	C 88	CY15C103M	
31	C 89	202A200225M1	
32	C 90	CY15C103M	
33	C 91	202A200225M1	
34	C 92	CY15C103M	
35	C 93	↓	
36	C 94	CY15C103M	
37	C 95	202A200225M1	
38	C 96	CY15C103M	
39	C 97	CY15C103M	
40	C 98	202A200225M1	

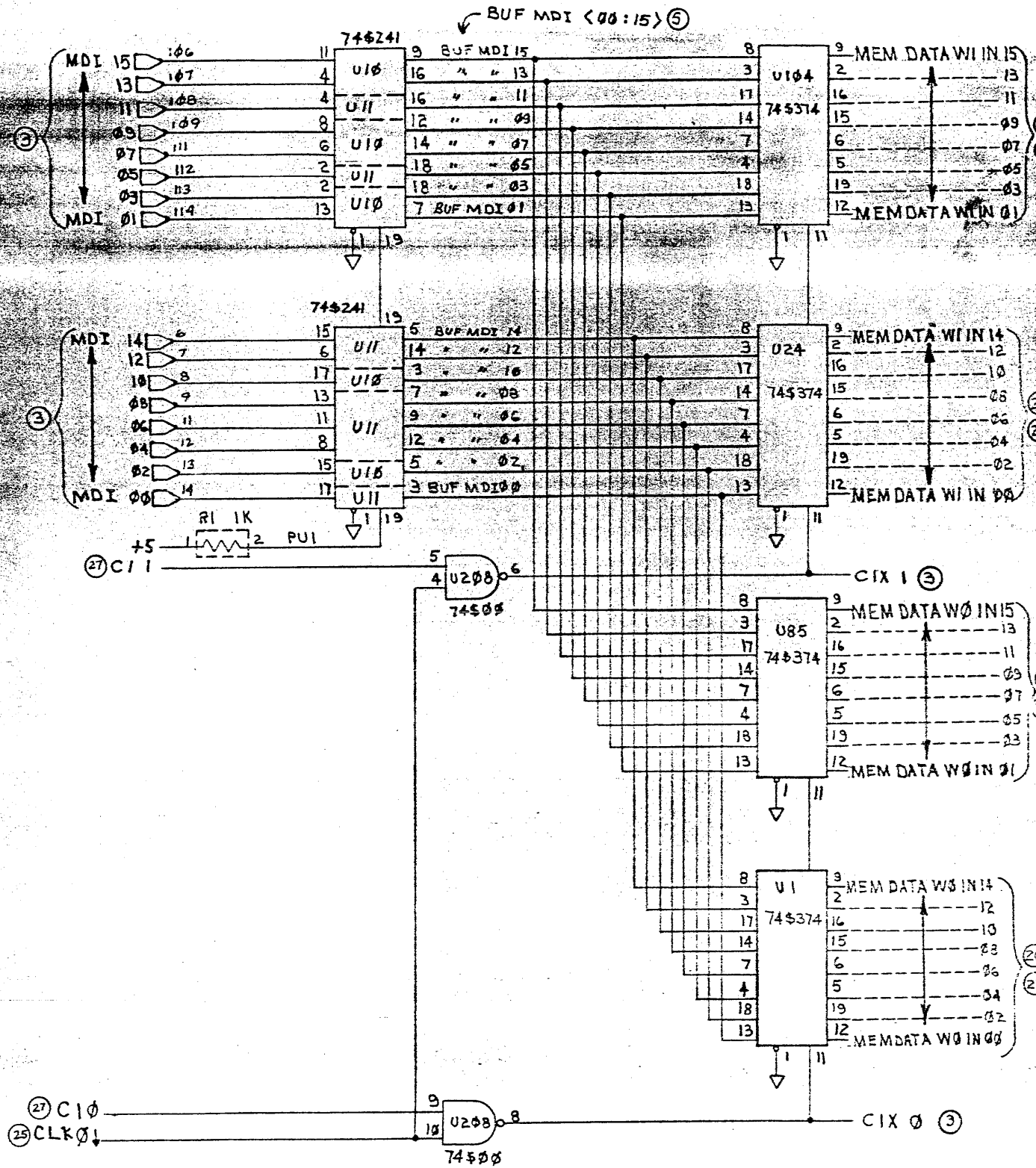
			1	2
1	C 99	202A200225M1		
2	C 100	CY15C103M		
3	C 101	↓		
4	C 102	CY15C103M		
5	C 103	202A200225M1		
6	C 104	CY15C103M		
7	C 105	202A200225M1		
8	C 106	↑		
9	C 107			
10	C 108	↓		
11	C 109	202A200225M1		
12	C 110	CY15C103M		
13	C 111	202A200225M1		
14	C 112	202A200225M1		
15	C 113	CY15C103M		
16	C 114	202A200225M1		
17	C 115	202A200225M1		
18	C 116	CY15C103M		
19	C 117	202A200225M1		
20	C 118	↑		
21	C 119			
22	C 120			
23	C 121			
24	C 122			
25	C 123			
26	C 124	↓		
27	C 125	202A200225M1		
28	C 126	SPARE		
29	C 127	CY15C103M		
30	C 128	↑		
31	C 129			
32	C 130			
33	C 131	↓		
34	C 132	CY15C103M		
35	C 133	202A200225M1		
36	C 134	CY15C103M		
37	C 135	CY15C103M		
38	C 136	202A200225M1		
39	C 137	↓		
40	C 138	202A200225M1		

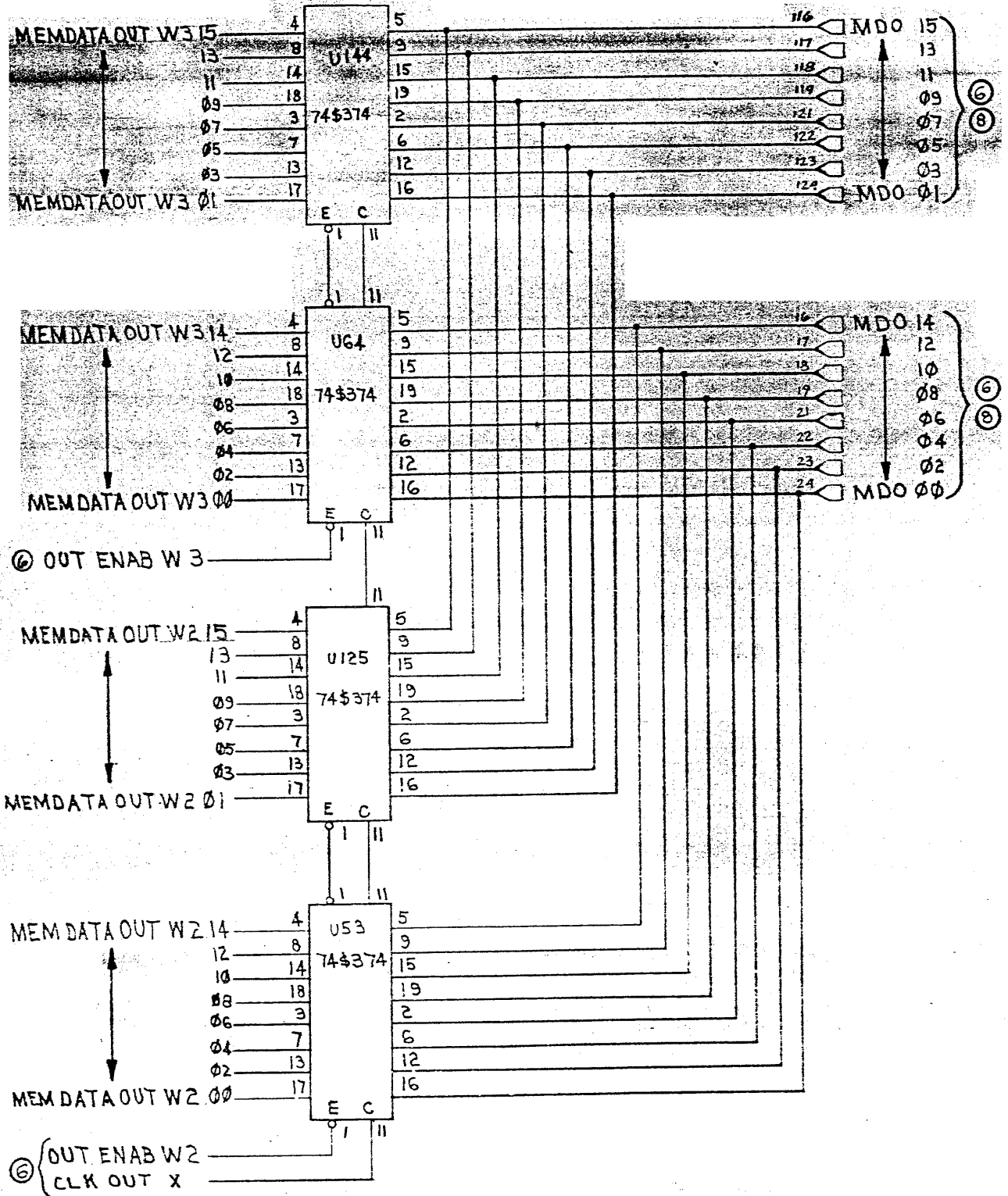


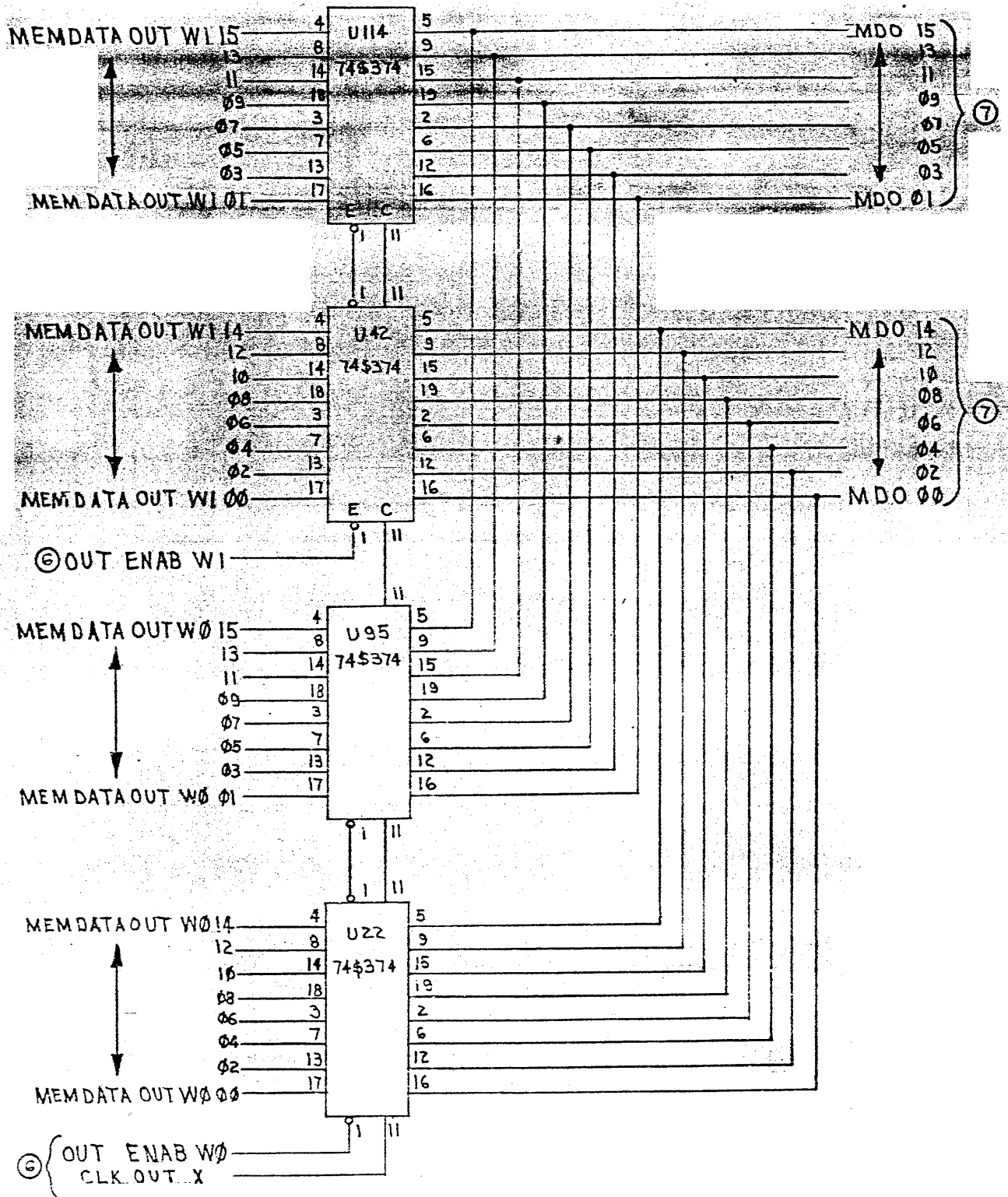


Three Rivers Computer		
MEM	3000000	REG-001
MEM	1000000	REG-002
MEM	2000000	REG-003

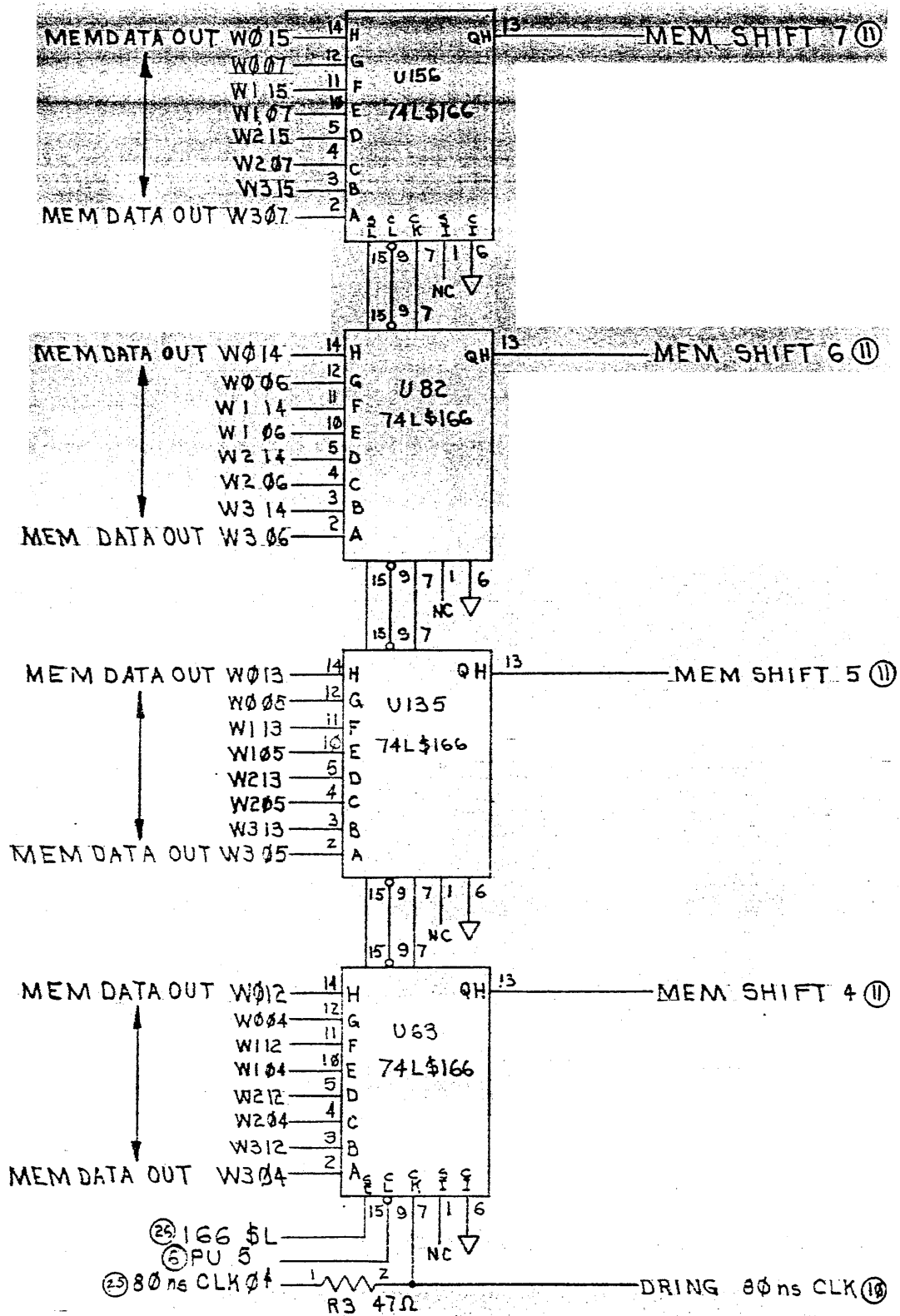


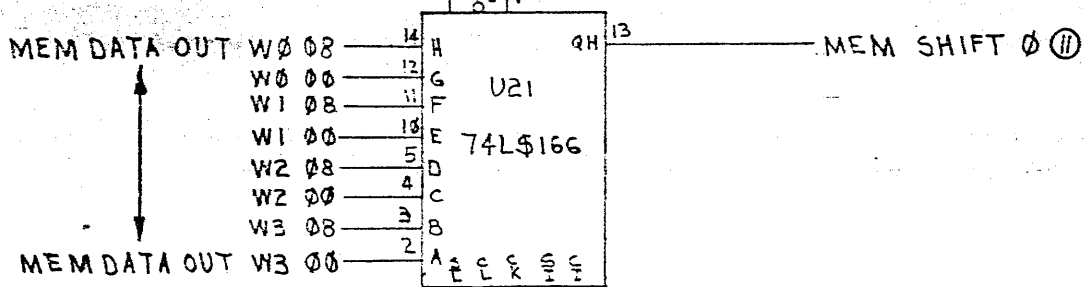
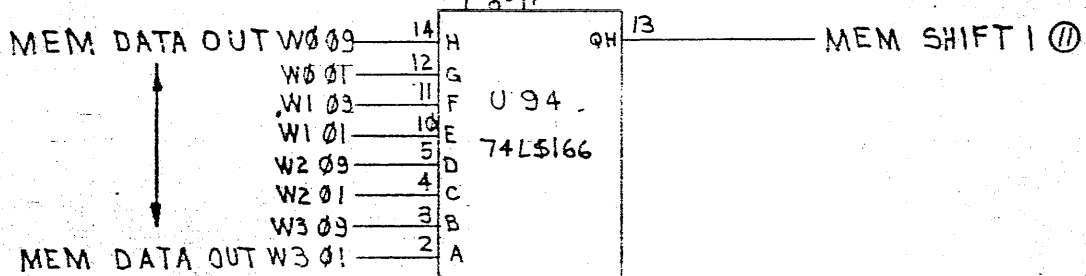
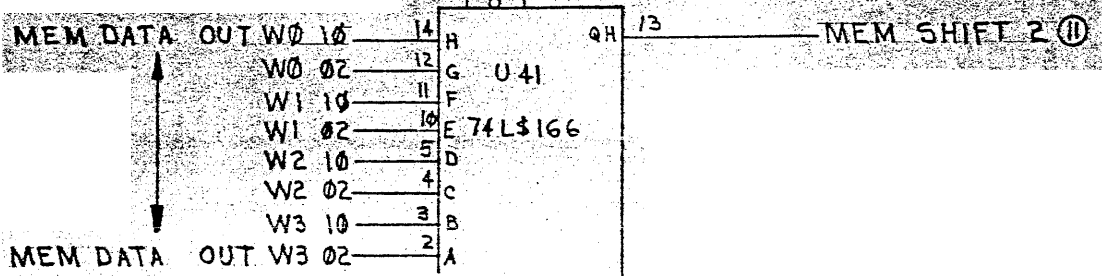
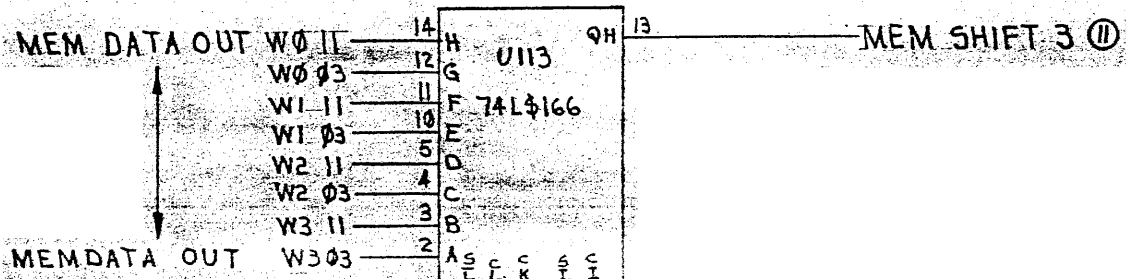




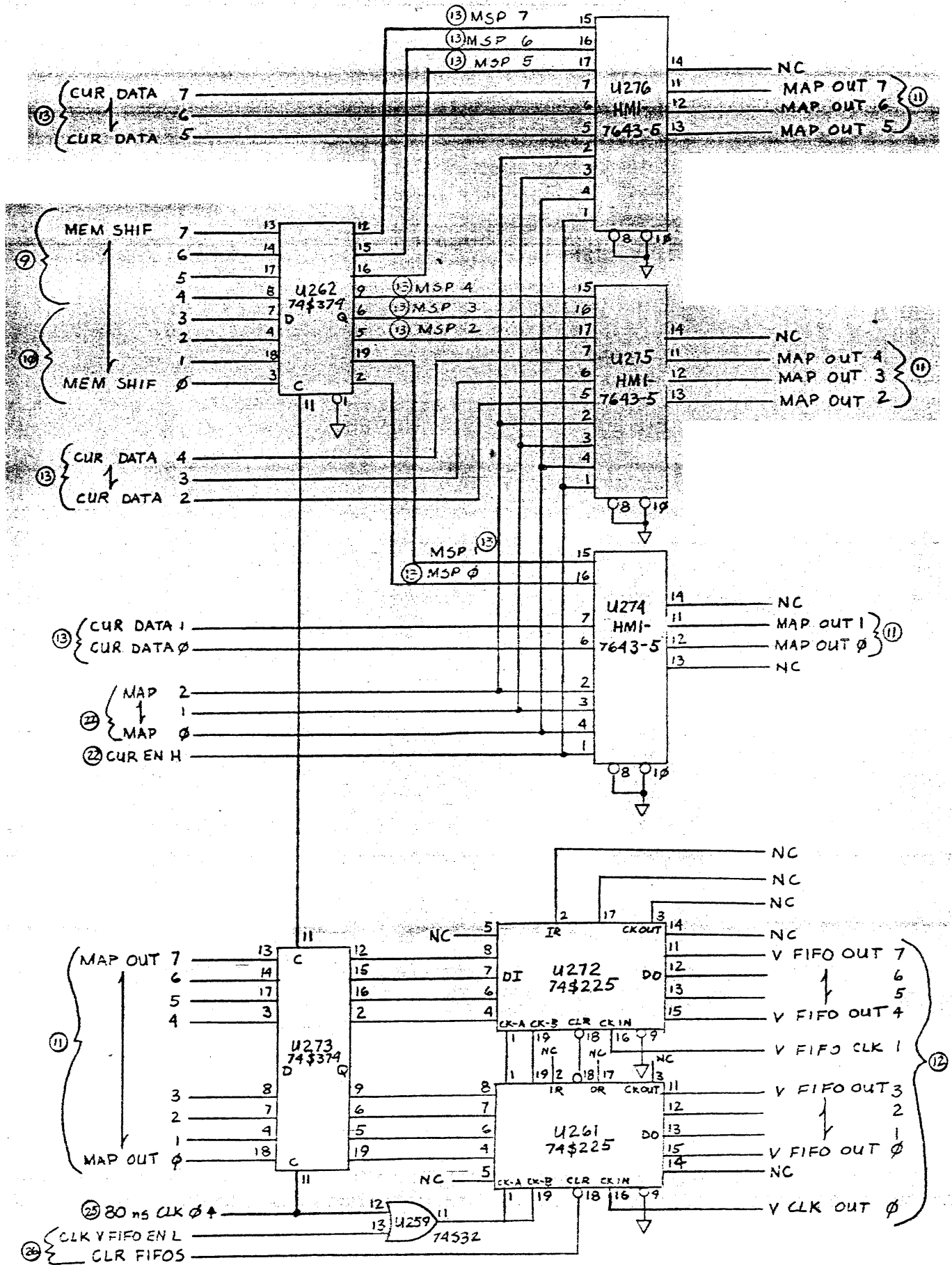


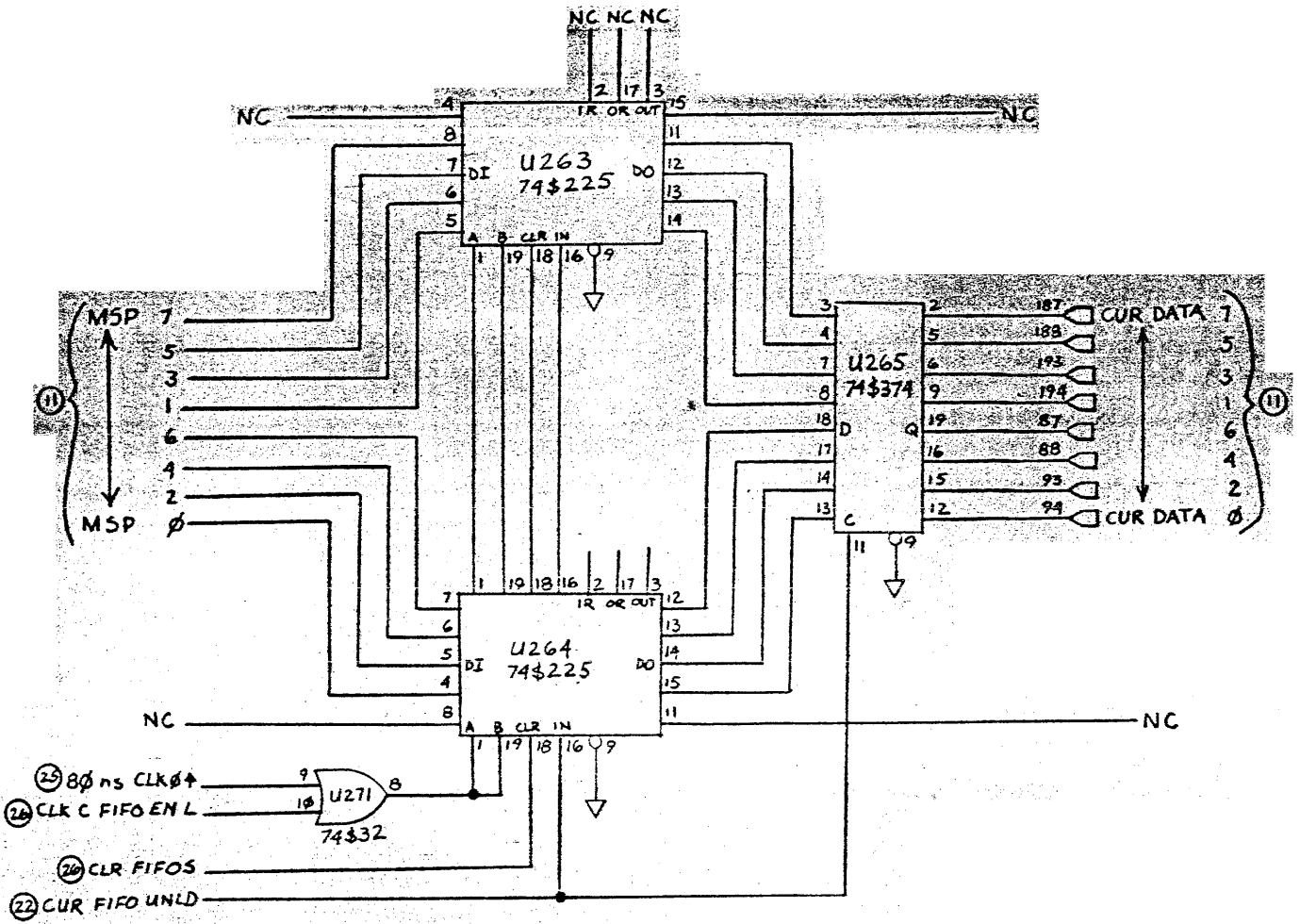
Three Rivers Computer	
DATA OUTPUT	REG-001
T.P.T.	REV. 02179-9-A -- 8-28

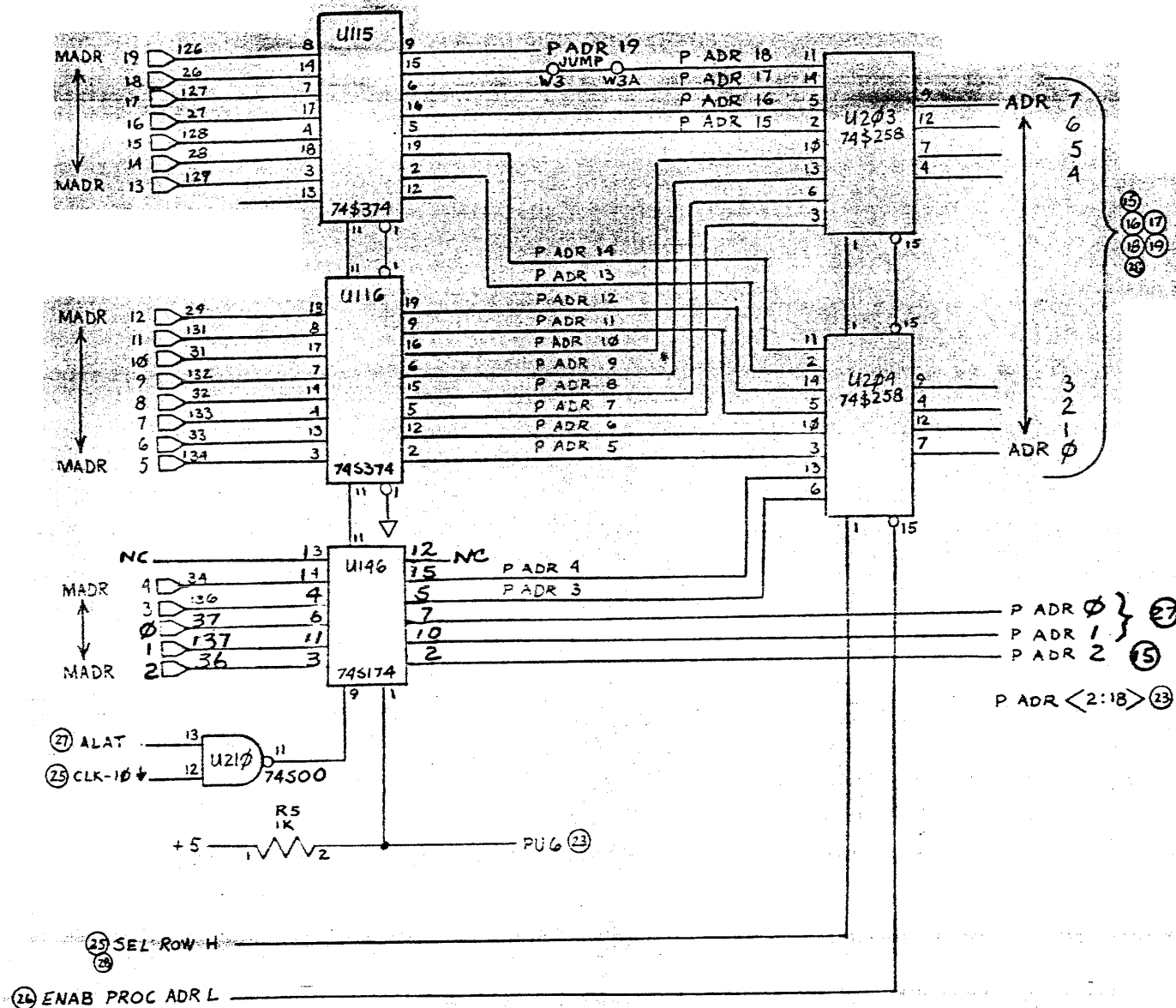


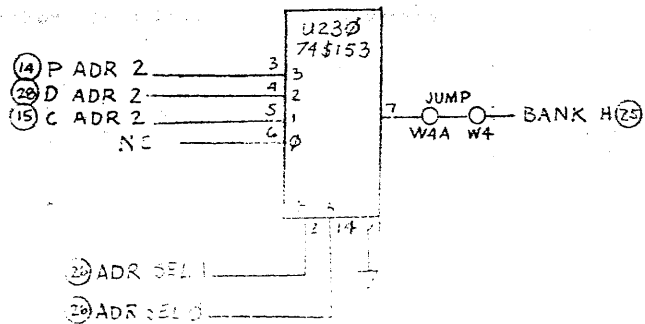
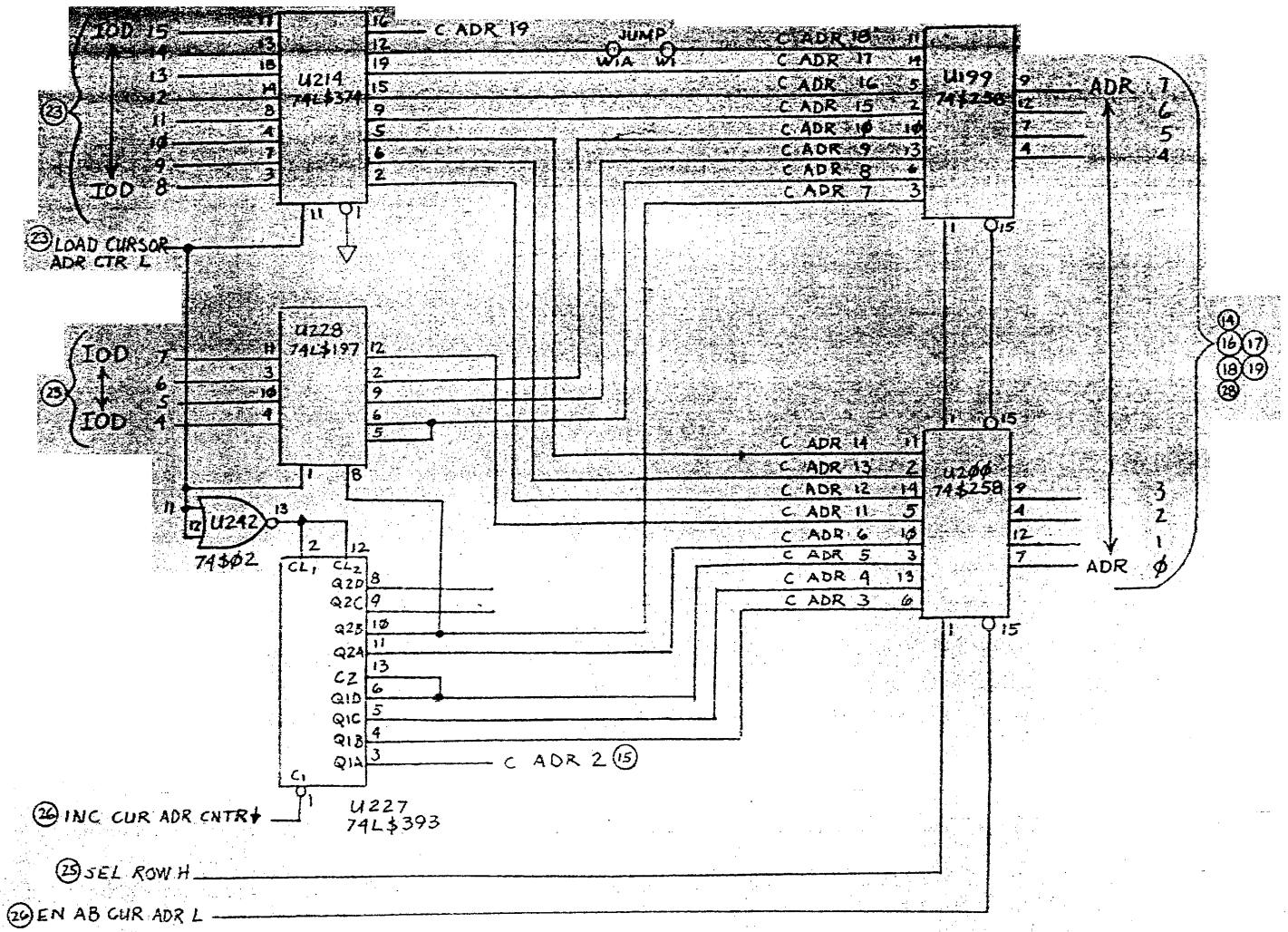


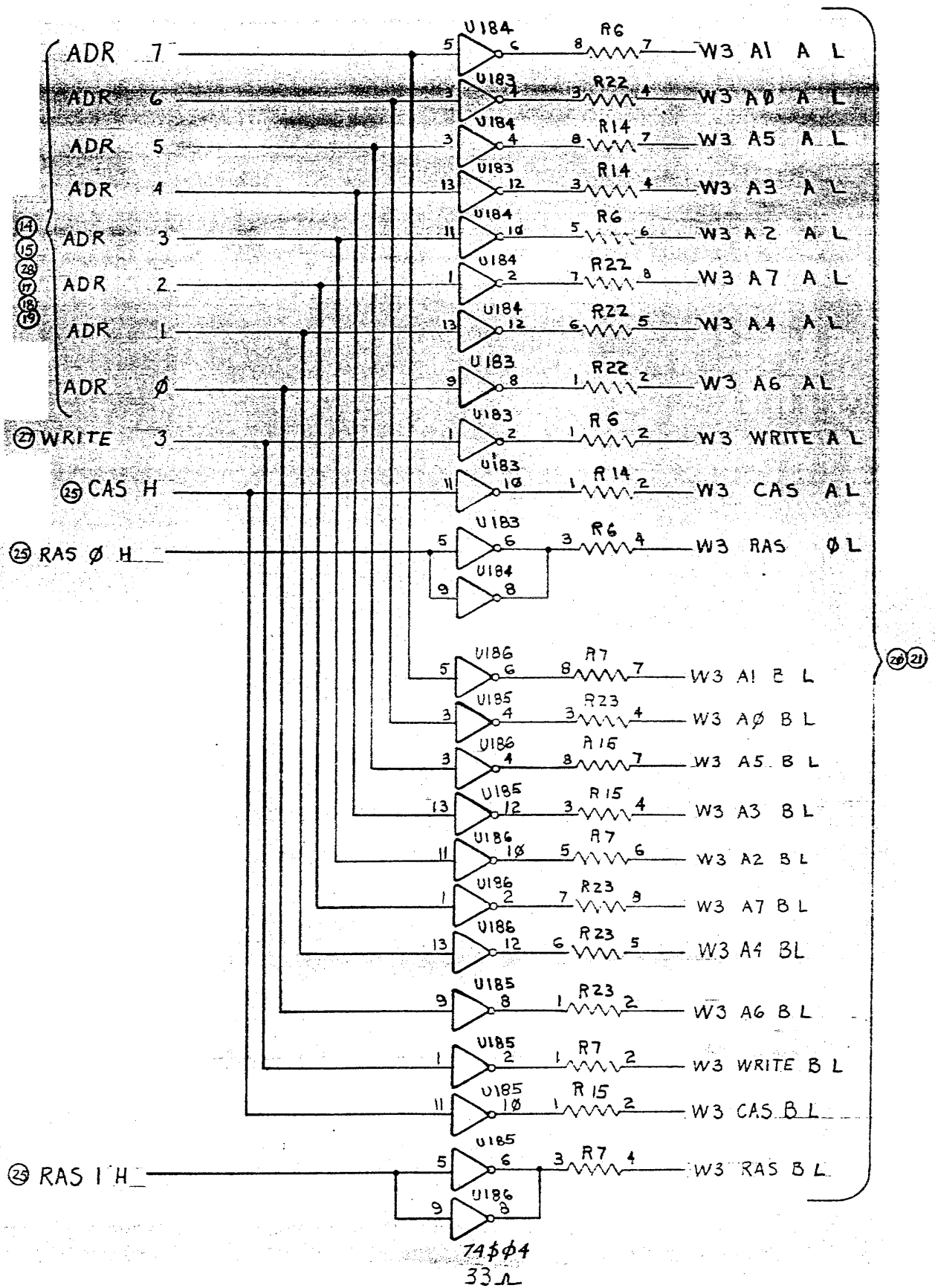
② 166 \$ L
 ⑤ PU 5
 ⑨ DRING 80 ns CLK

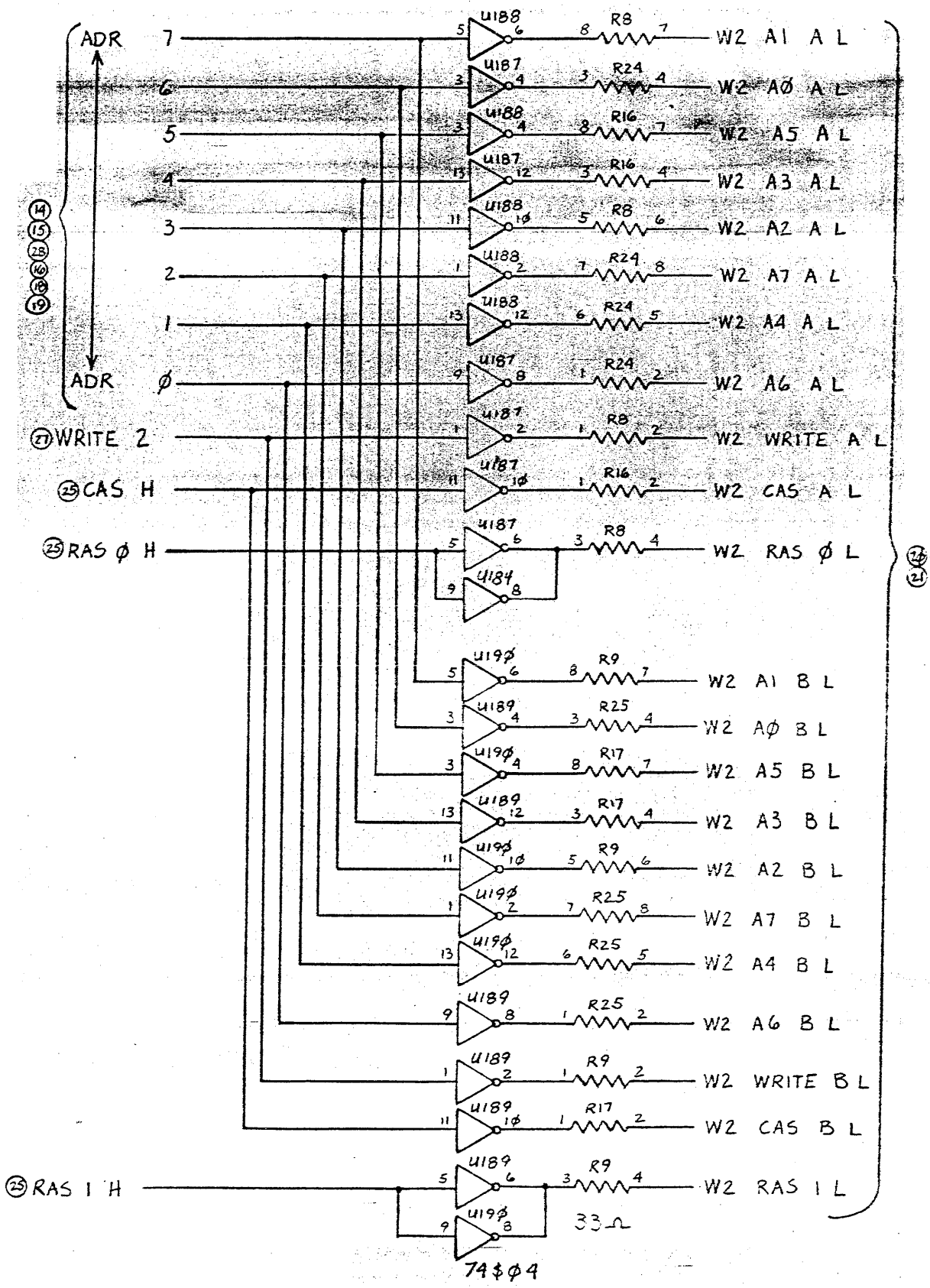


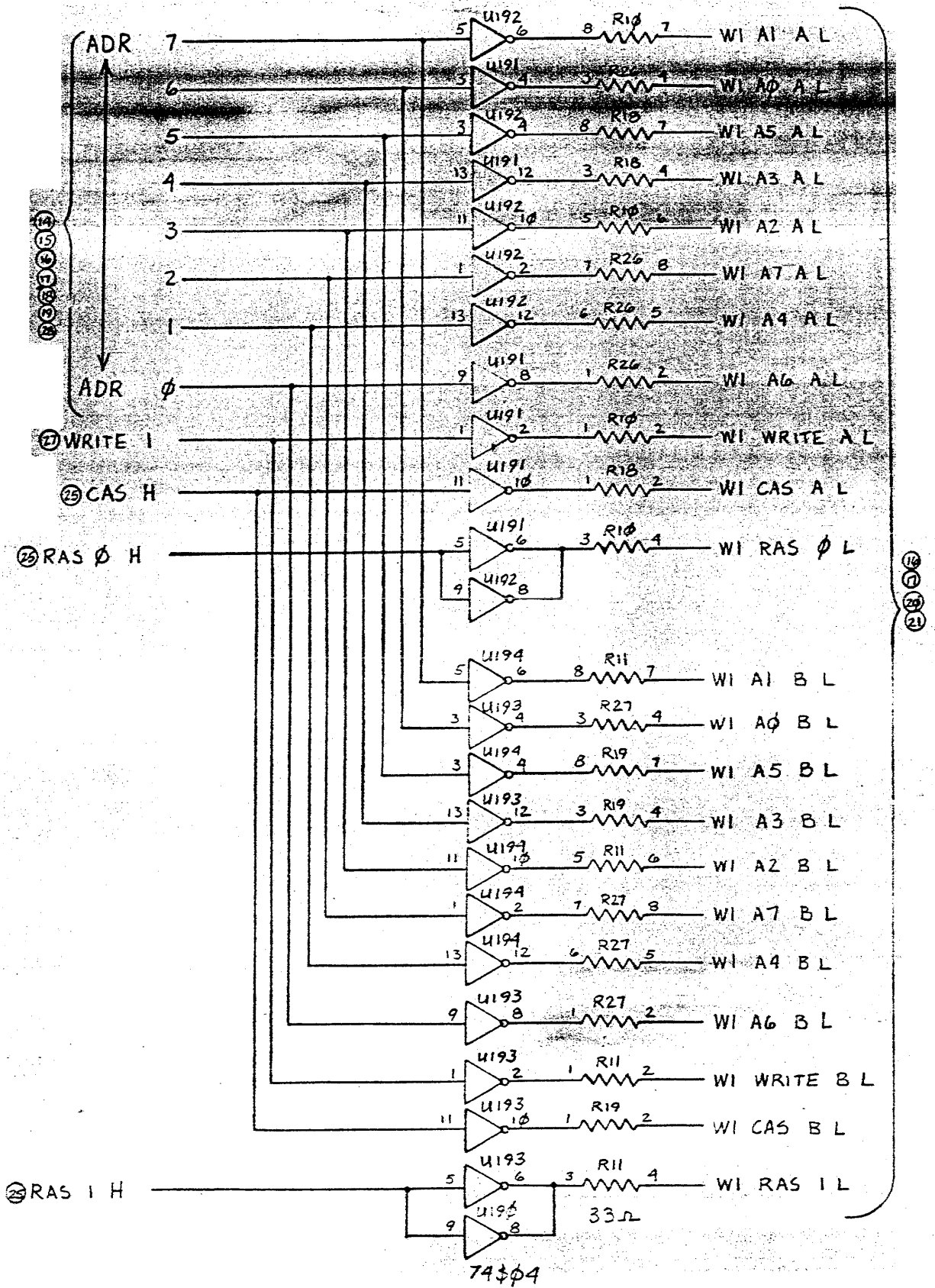


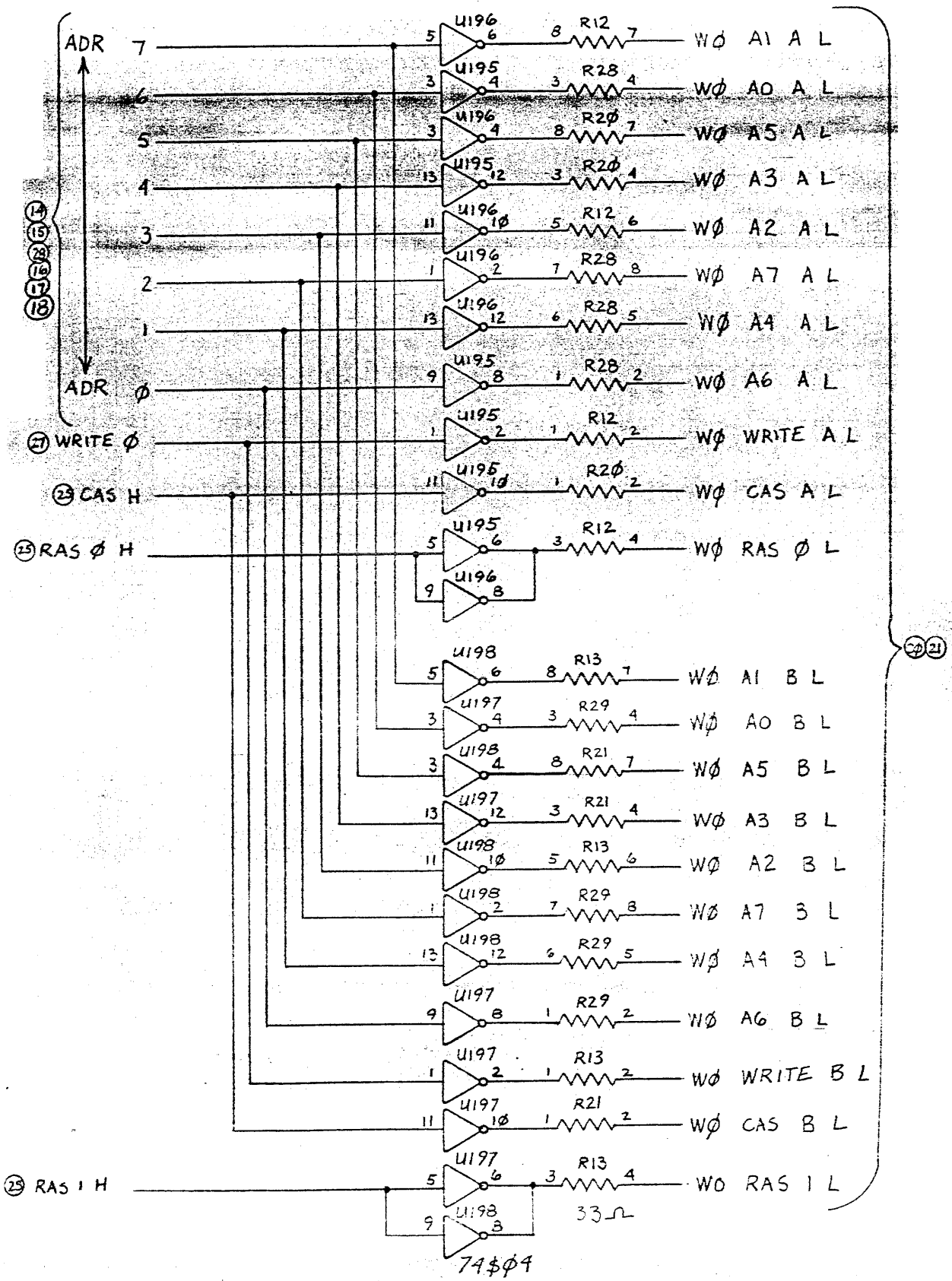












Three Rivers Controller	
MEM DRIVE 1	MEM DRIVE 1
MEM DRIVE 2	MEM DRIVE 2

LTR	DATE	APP'D
-----	------	-------

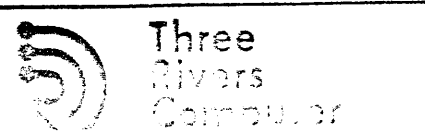
WORD 3	WORD 2	WORD 1	WORD 0
RAS 0 M<3> AL	RAS 0 M<2> AL	RAS 0 M<1> AL	RAS 0 M<0> AL
RAS 1 M<7> BL	RAS 1 M<6> BL	RAS 1 M<5> BL	RAS 1 M<4> BL
U2	U4	U6	U8
U13	U15	U17	U19
U25	U27	U29	U31
U33	U35	U37	U39
U45	U47	U49	U51
U55	U57	U59	U61
U66	U68	U70	U72
U74	U76	U78	U80
U86	U88	U90	U92
U96	U98	U100	U102
U105	U107	U109	U111
U117	U119	U121	U123
U127	U129	U131	U133
U136	U138	U140	U142
U148	U150	U152	U154
U159	U161	U163	U165
U170	U172	U174	U176
			U177

RAS 0 = BANK 0 BANK = M[2]
 RAS 1 = BANK 1

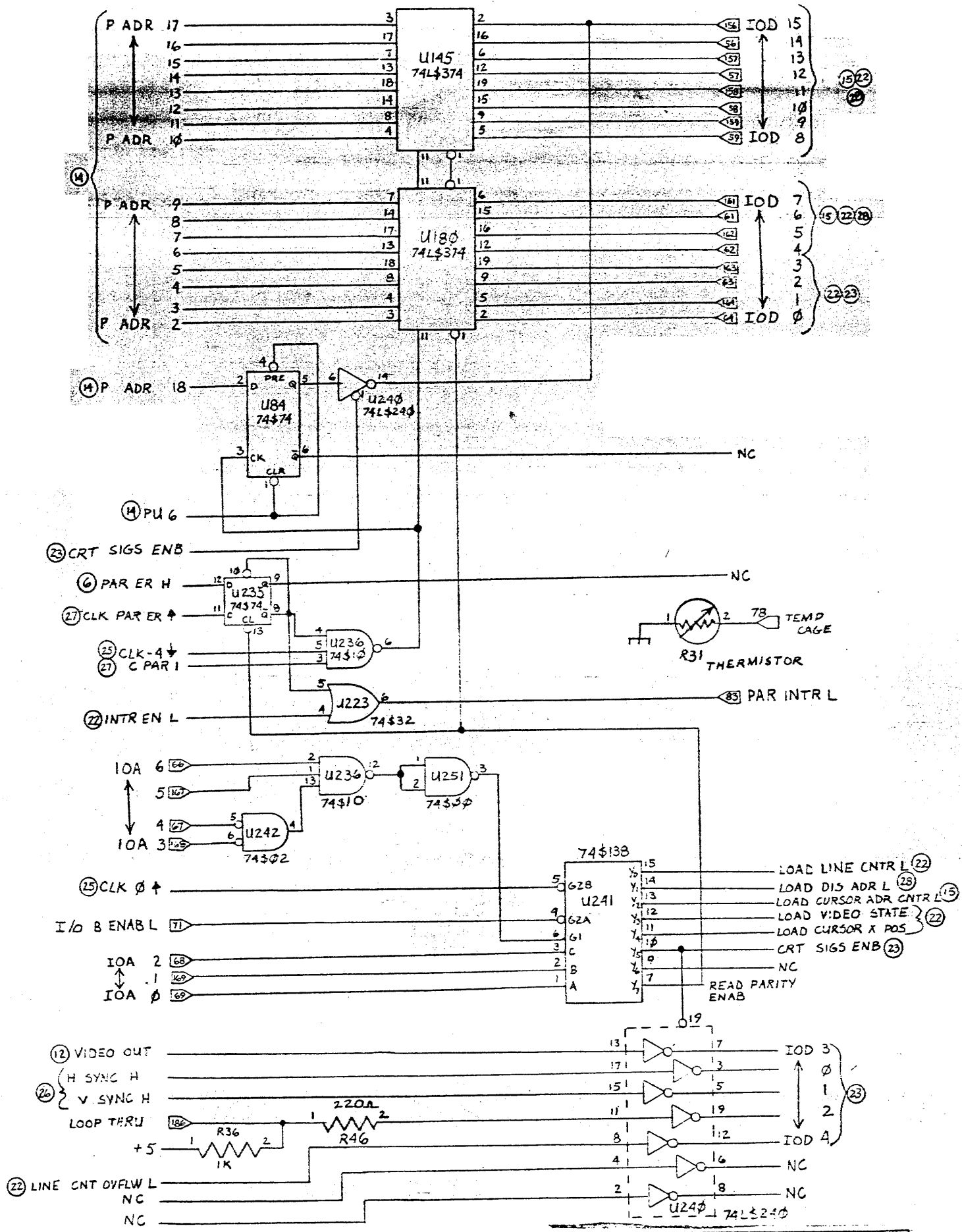
NEXT ASSY MEG-001

THIS DOCUMENT IS NOT TO BE REPRODUCED IN ANY FORM, OR TRANSMITTED IN WHOLE OR IN PART, WITHOUT PRIOR WRITTEN AUTHORIZATION OF Three Rivers Computer.

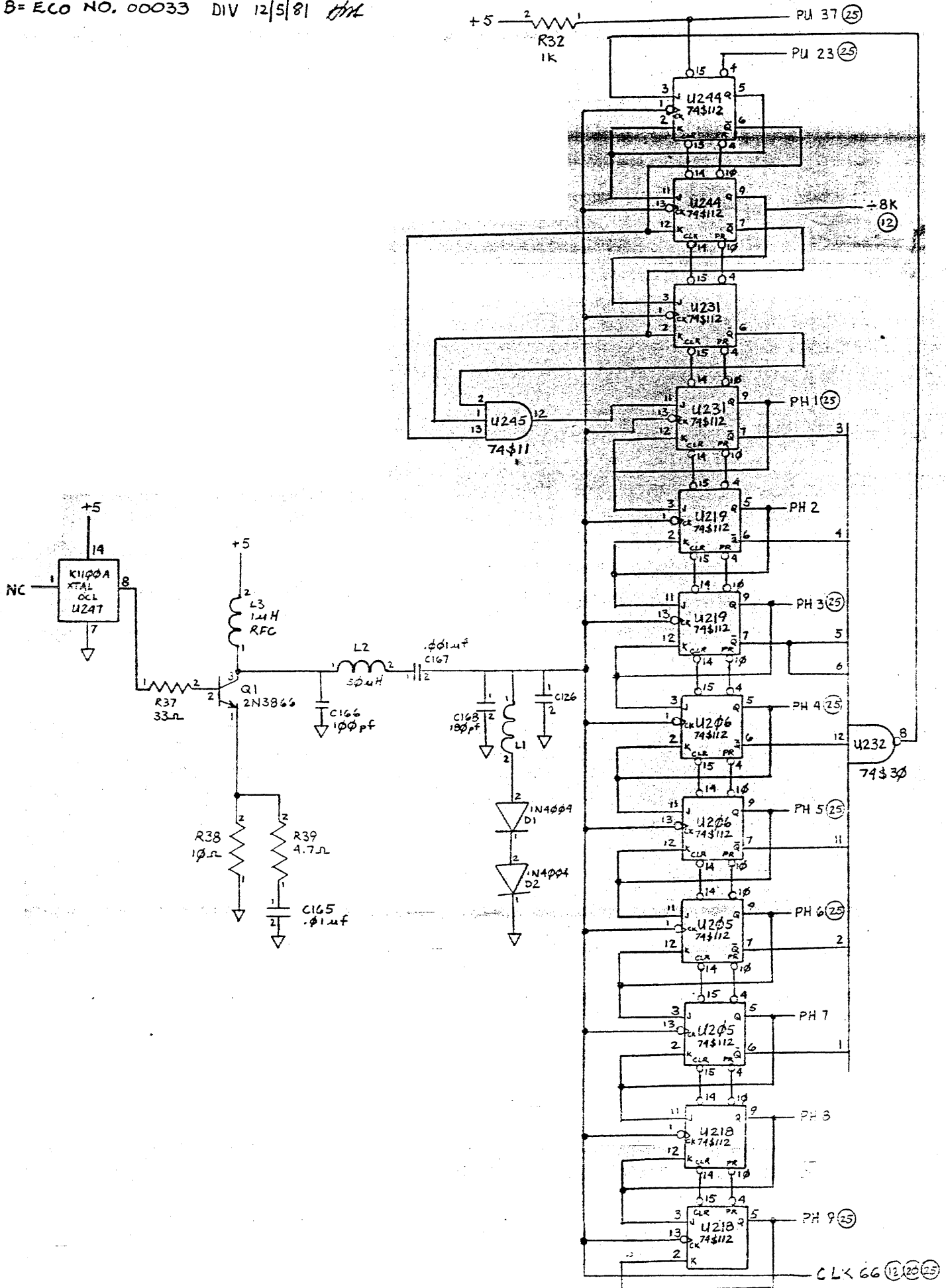
TITLE
MEG RAM ARRAY

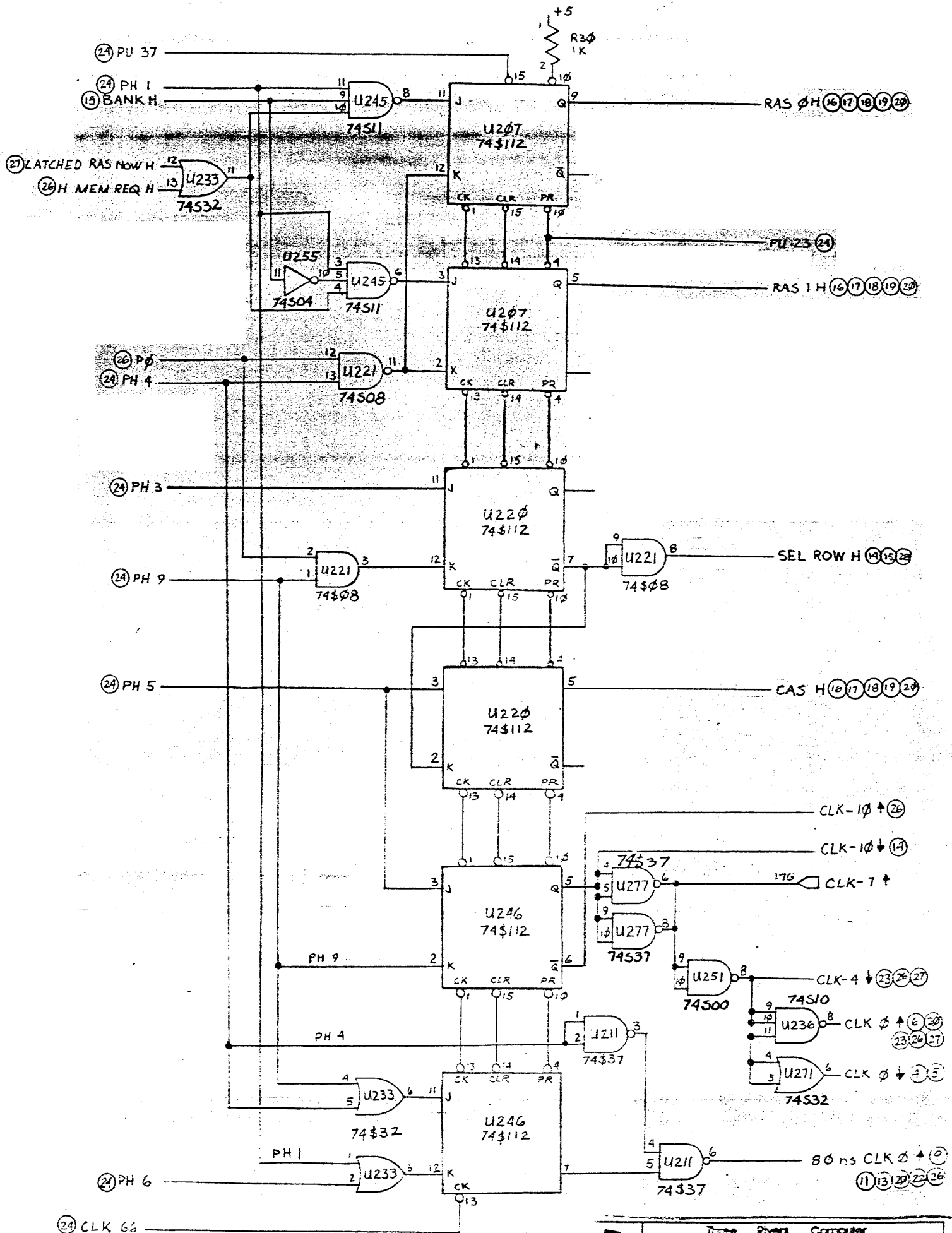


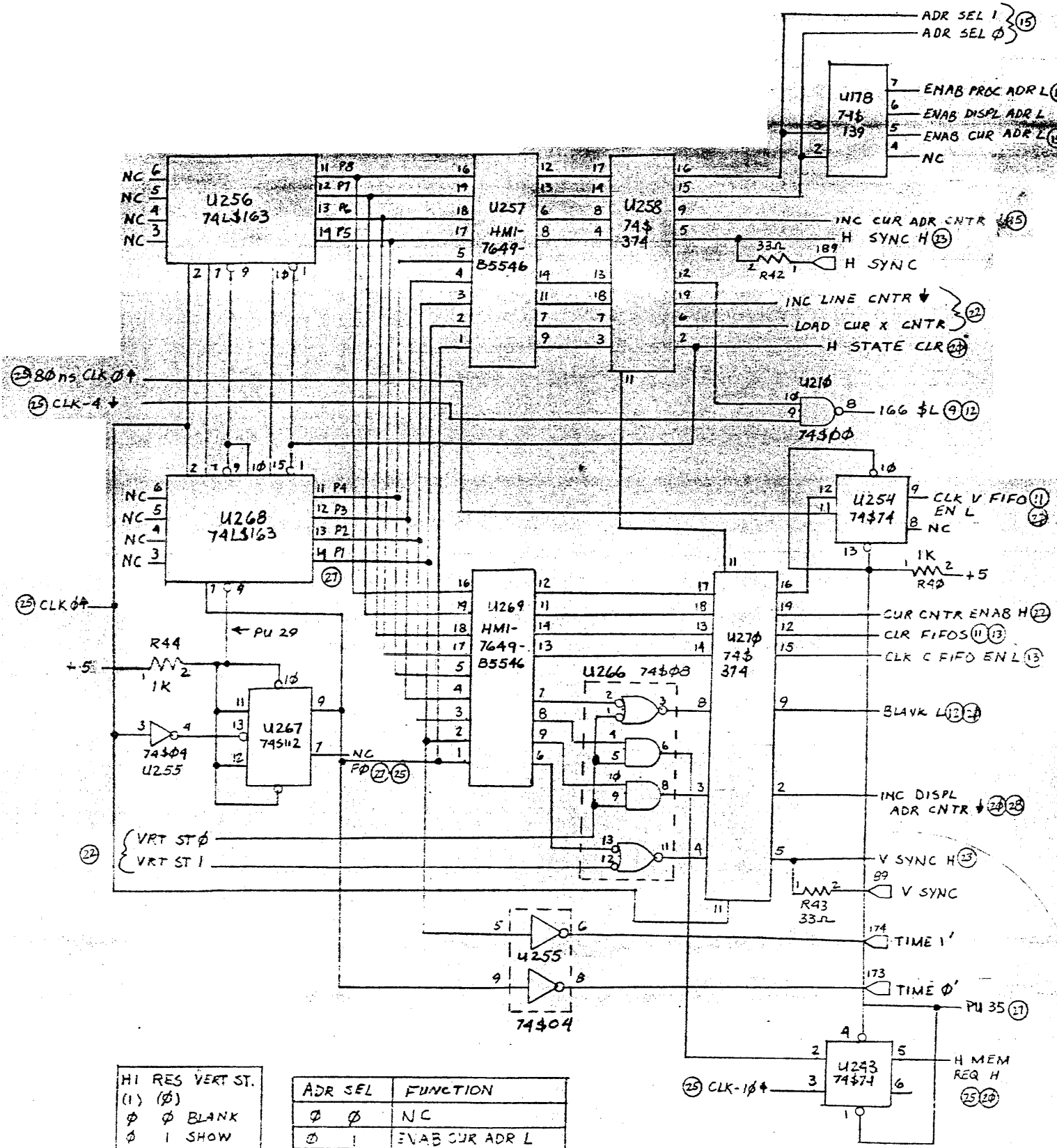
DRAWN	DIV	11-18-81	SIZE	CODE	IDENTIFICATION	VAR	REV
CHECKED			A	SC	00179	21	A



Time	Power	Compl







HI RES	VERT ST.
(1) (φ)	
φ φ	BLANK
φ 1	SHOW
1 φ	YERT
1 1	ILLEGAL

ADR SEL	FUNCTION
φ φ	NC
φ 1	ENAB CUR ADR L
1 φ	ENAB DISPL ADR L
1 1	ENAB PROC ADR L

