

Model 9126
SIGNAL COUPLER for 910/920
Logic Diagrams,
Current & History

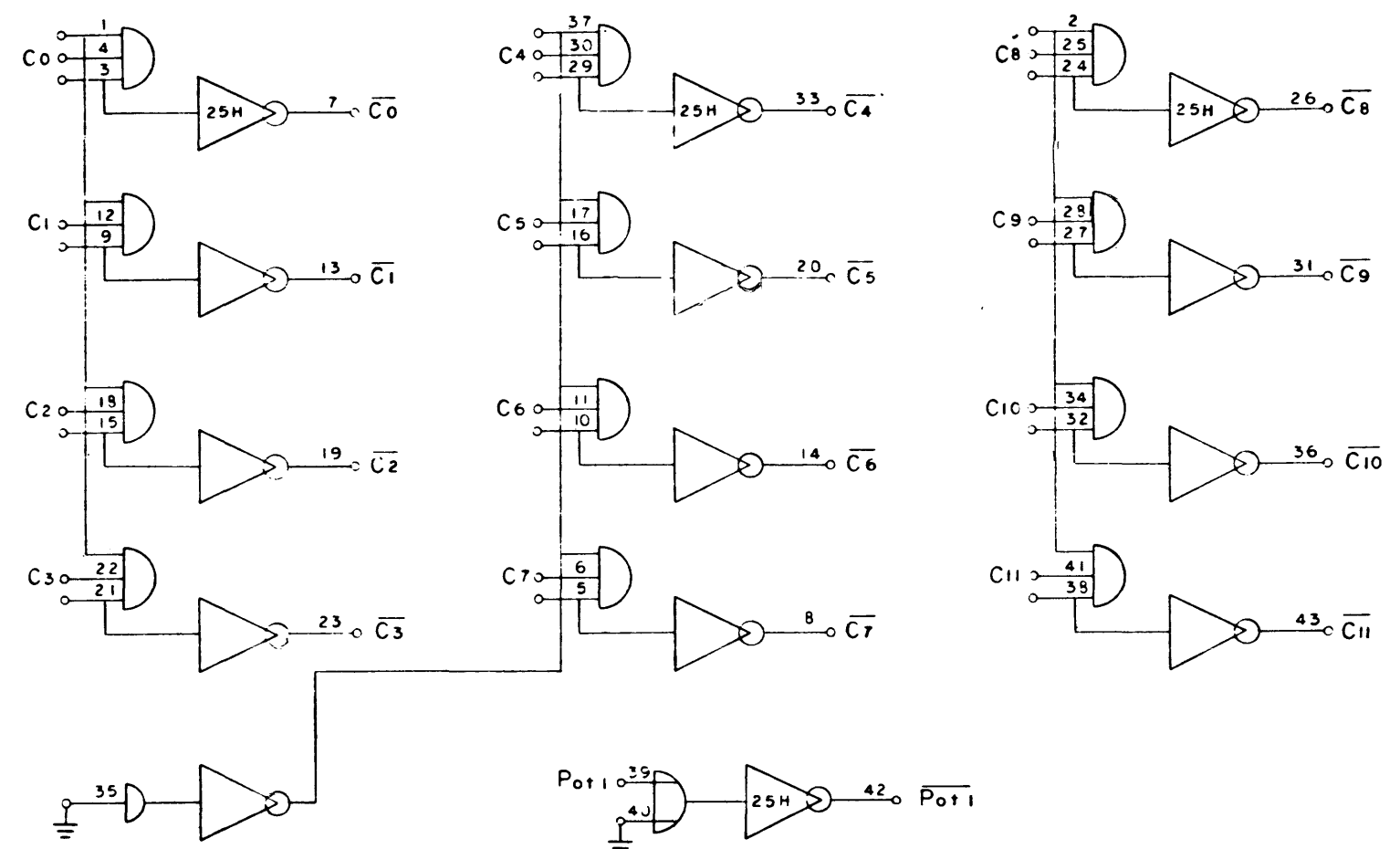
SDS 900545B

April 1965

SDS

SCIENTIFIC DATA SYSTEMS/1649 Seventeenth Street/Santa Monica, California/UP1-0960

REVISIONS			IC 3042	A
REV	DESCRIPTION	CHK	DATE	APPROVED
A	RELEASED TO MFG		3/8/63	[Signature]



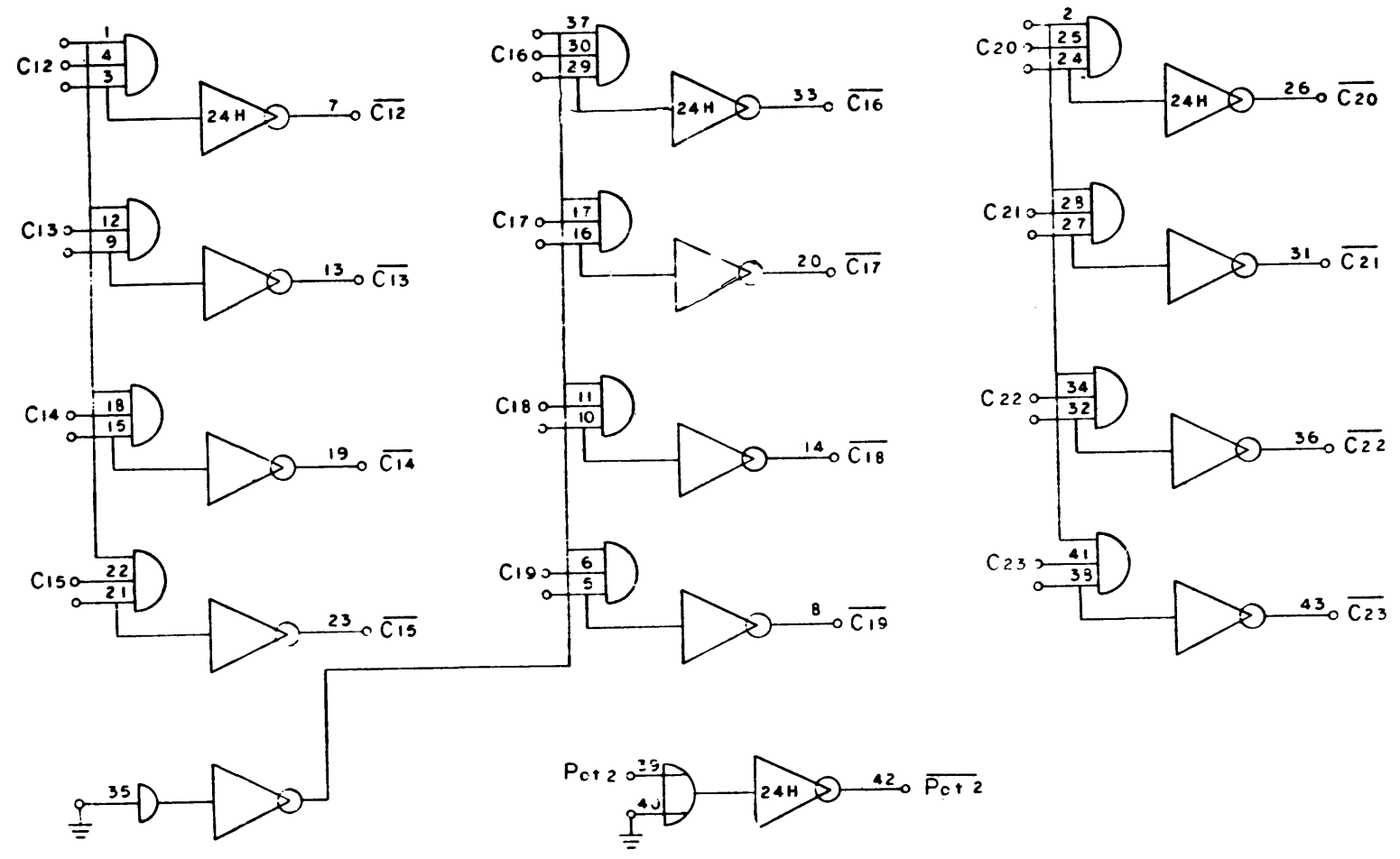
REFERENCE DESIGNATIONS ARE ABBREVIATED. PREFIX THE DESIGNATION WITH UNIT NUMBER OR ASSEMBLY DESIGNATION OR BOTH. (MIL. STD. 16B)

9126
SIGNAL COUPLER
Page 1
A

NO. REQ.	DRAWING NO.	DESCRIPTION	REFERENCE DESIGNATION	ITEM NO.
MATERIAL LIST				
NOTES UNLESS SPECIFIED		CHECK	 <small>1545 FIFTEENTH STREET SANTA MONICA CALIFORNIA</small>	
1 TOLERANCES XX ± 0.00 ANGULAR XX ± 0.00 ± 1/16" 2 BREAK ALL SHARP EDGES @ 10X MAGN. 3 HATCH SURFACES ✓ 4 ALL DIM IN INCHES		DRAWN: [Signature] APPR: [Signature]	TITLE DIAGRAM, LOGIC, SIGNAL COUPLER	
MODEL NO.	9126	SIZE	DWG NO.	A
NEXT ASSY.		SCALE	DO NOT SCALE DRAWING	SHEET

103042 | A |

REVISIONS				IC 3042 A
REV	DESCRIPTION	CHK	DATE	APPROVED
A	RELEASED TO MFG			

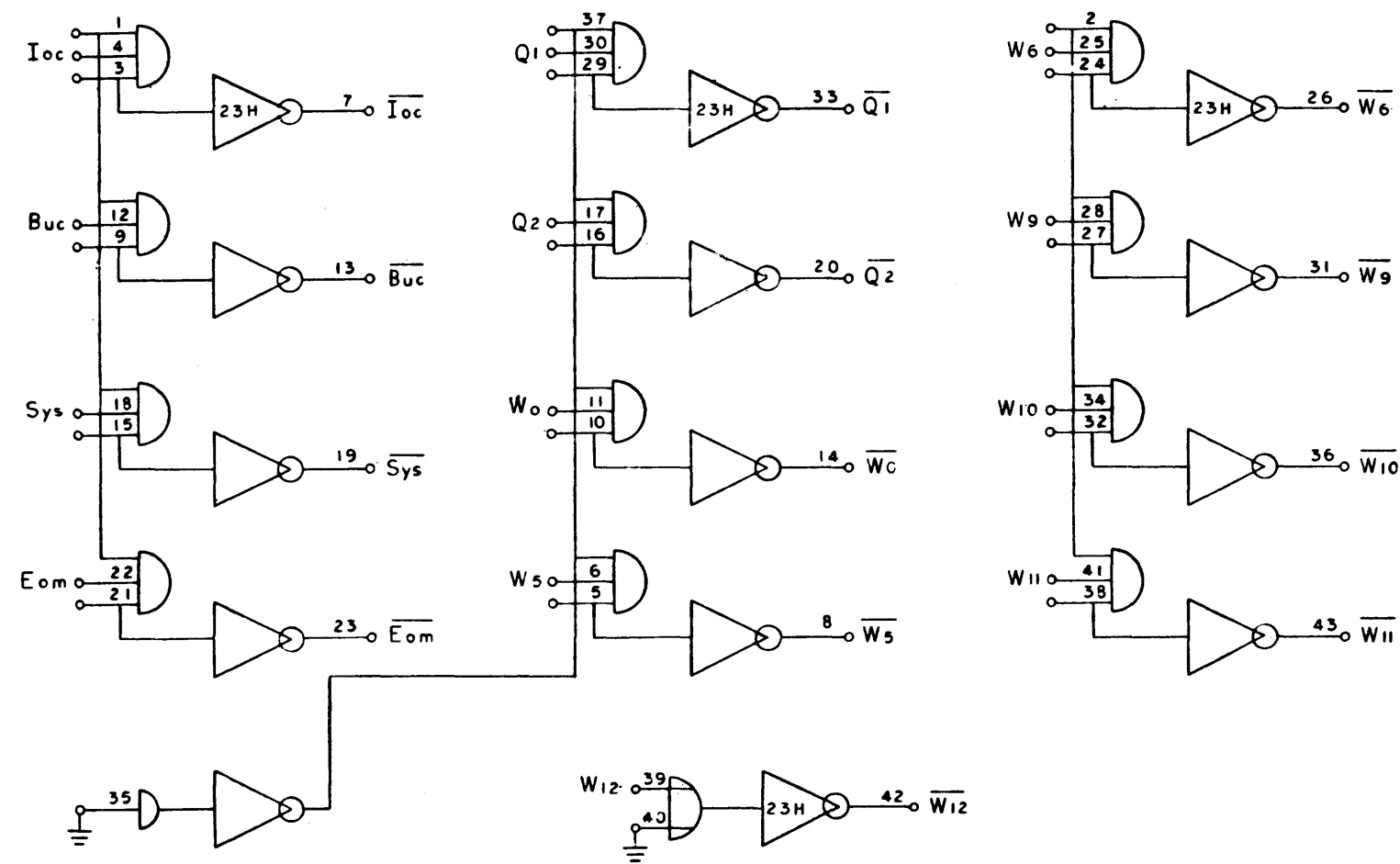


9126
SIGNAL COUPLER
Page 2
A

IC3042 A

NO. REV.	DRAWING NO.	DESCRIPTION	REFERENCE DESIGNATION	ITEM NO.
NOTES UNLESS SPECIFIED				
1. TOLERANCES 25 ± 0.05 25 ± 0.10		2. ANGULAR 2.5°	SDS SCIENTIFIC DATA SYSTEMS 1525 24TH STREET SANTA MONICA, CALIFORNIA	
3. BREAK ALL SHARP EDGES 5/16 APPROX		4. HATCH SURFACES <input checked="" type="checkbox"/>	TITLE DIAGRAM, LOGIC, SIGNAL COUPLER	
MODEL NO. 9126		SIZE D		DWG NO. 103042 A
NEXT ASSY.		SCALE		DO NOT SCALE DRAWING SHEET

REVISIONS				IC 3042 A	
REV	DESCRIPTION	CHK	DATE	APPROVED	
A	RELEASED TO MFG	C.B.	6/6/67	[Signature]	

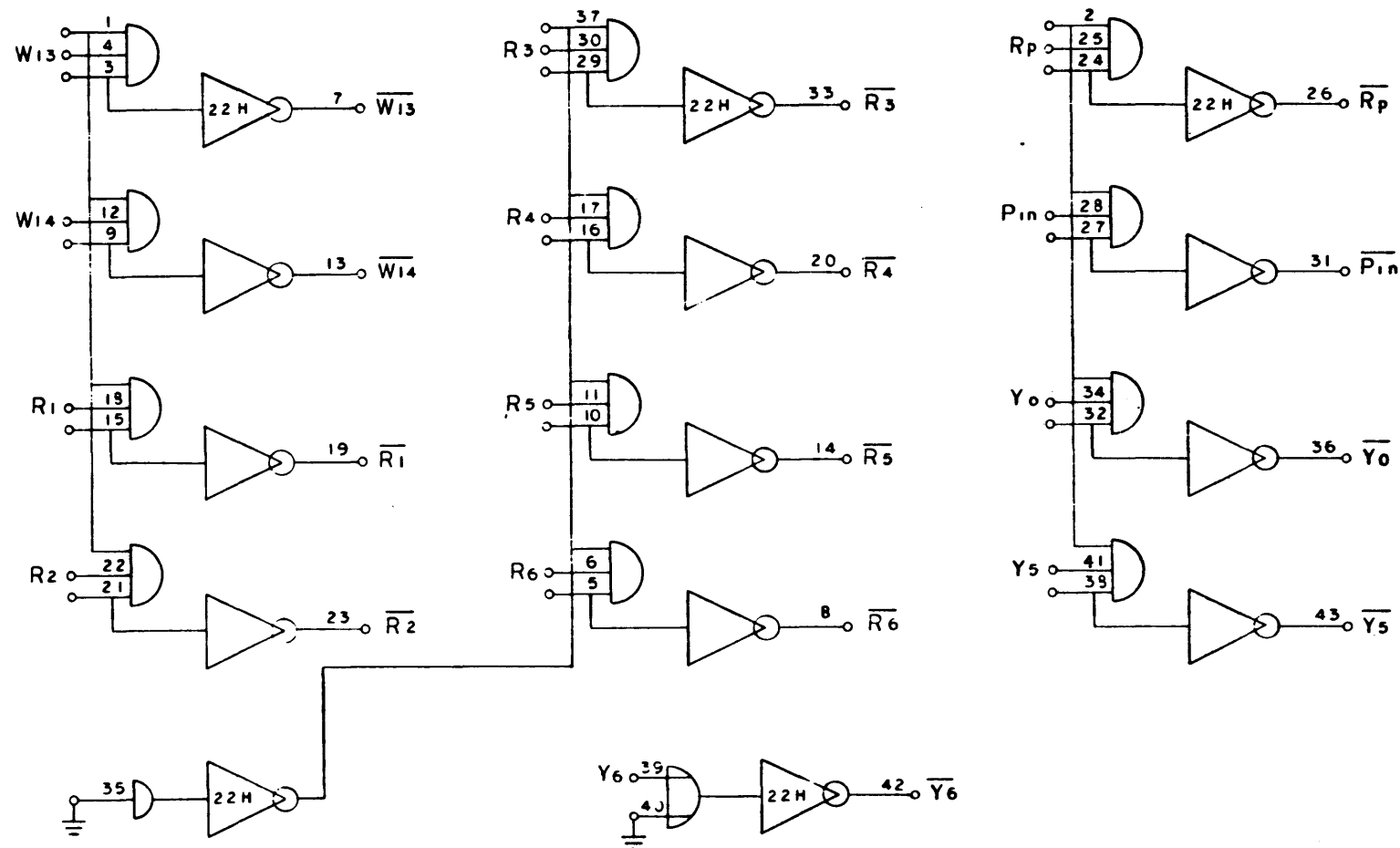


9126
SIGNAL COUPLER
Page 3
A

103042 | A |

NO. REQ.	DRAWING NO.	DESCRIPTION	REFERENCE DESIGNATION	ITEM NO.
NOTES UNLESS SPECIFIED				
1	TOLERANCES	UNLESS SPECIFIED		
	IS 1.000	ANGULAR		
	IS 2.000	2 1/2°		
2	SHARP	ALL SHARP EDGES		
	0.005	0.005		
3	ALL SURFACES	✓		
4	ALL DIMS	IN INCHES		
MATERIAL LIST		SDS SCIENTIFIC DATA SYSTEMS 1940 FIFTEENTH STREET SANTA MONICA CALIFORNIA		
DRAWN: [Signature] CHECK: [Signature] APPR: [Signature]		TITLE DIAGRAM, LOGIC, SIGNAL COUPLER		
MODEL NO. 9126		SIZE D	DWG NO. 103042	SHEET A
NEXT ASSY.		SCALE	DO NOT SCALE DRAWING	SHEET

REVISIONS			
REV	DESCRIPTION	CHR	DATE
A	RELEASED TO MFG	e. Blakely	10/30/62

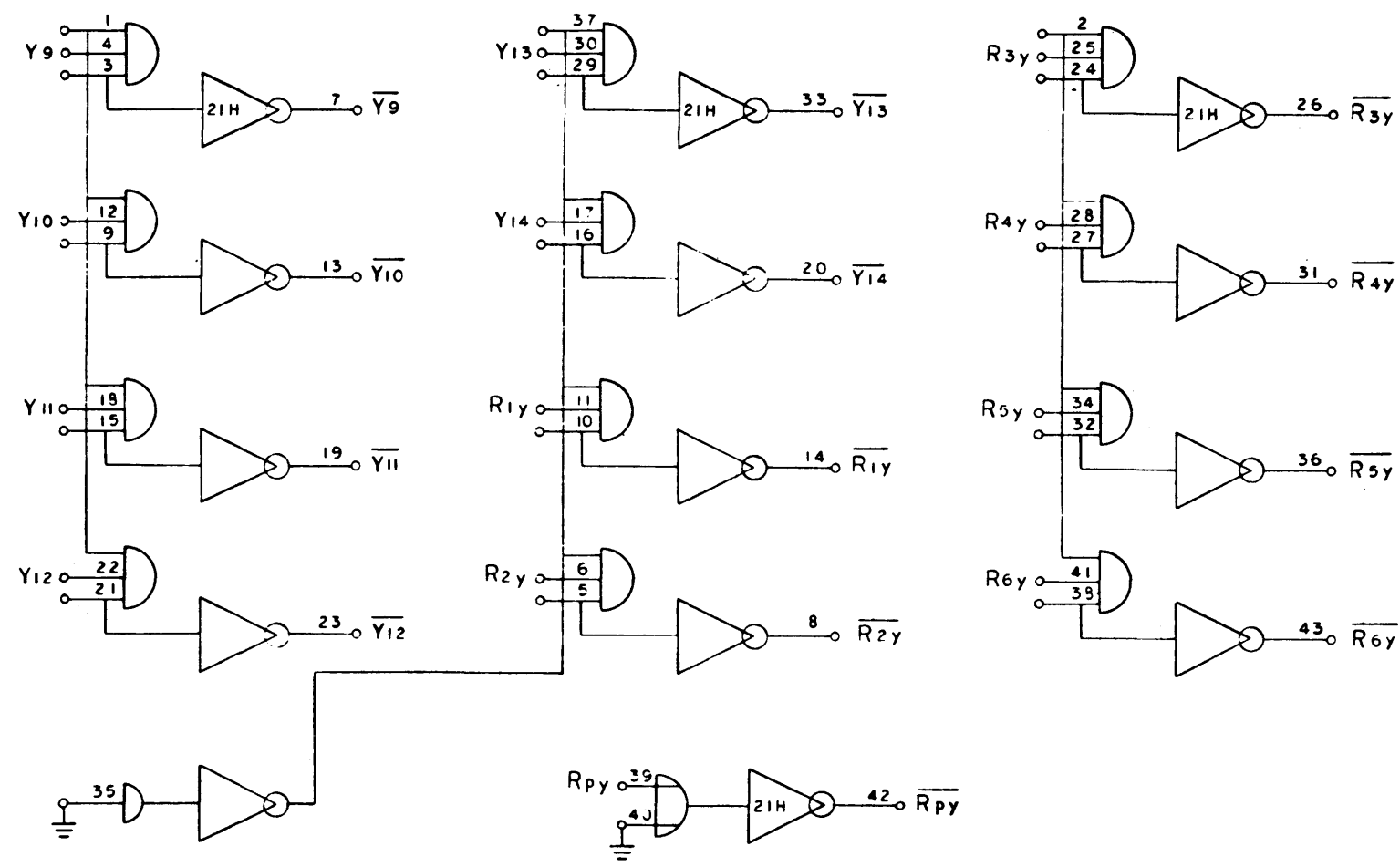


9126
SIGNAL COUPLER
Page 4
A

NO. REV.	DRAWING NO.	DESCRIPTION	REFERENCE DESIGNATION	ITEM NO.
NOTES UNLESS SPECIFIED				
1. TOLERANCES UNLESS SPECIFIED		CHECK	DATE	
2. BREAK ALL SHARP EDGES		APPR		
3. HATCH SURFACES				
4. ALL DIM IN INCHES				
MATERIAL LIST		SDS SCIENTIFIC DATA SYSTEMS 1742 FIFTEENTH STREET SANTA MONICA, CALIFORNIA		
MODEL NO. 9126		TITLE DIAGRAM, LOGIC, SIGNAL COUPLER		
NEXT ASSY		SIZE D	DWG NO. 103042	SHEET A
SCALE		DO NOT SCALE DRAWING		

103042 A

REV		DESCRIPTION		REVISIONS		CHK	DATE	APPROVED
A		RELEASED TO MFG						103042 A

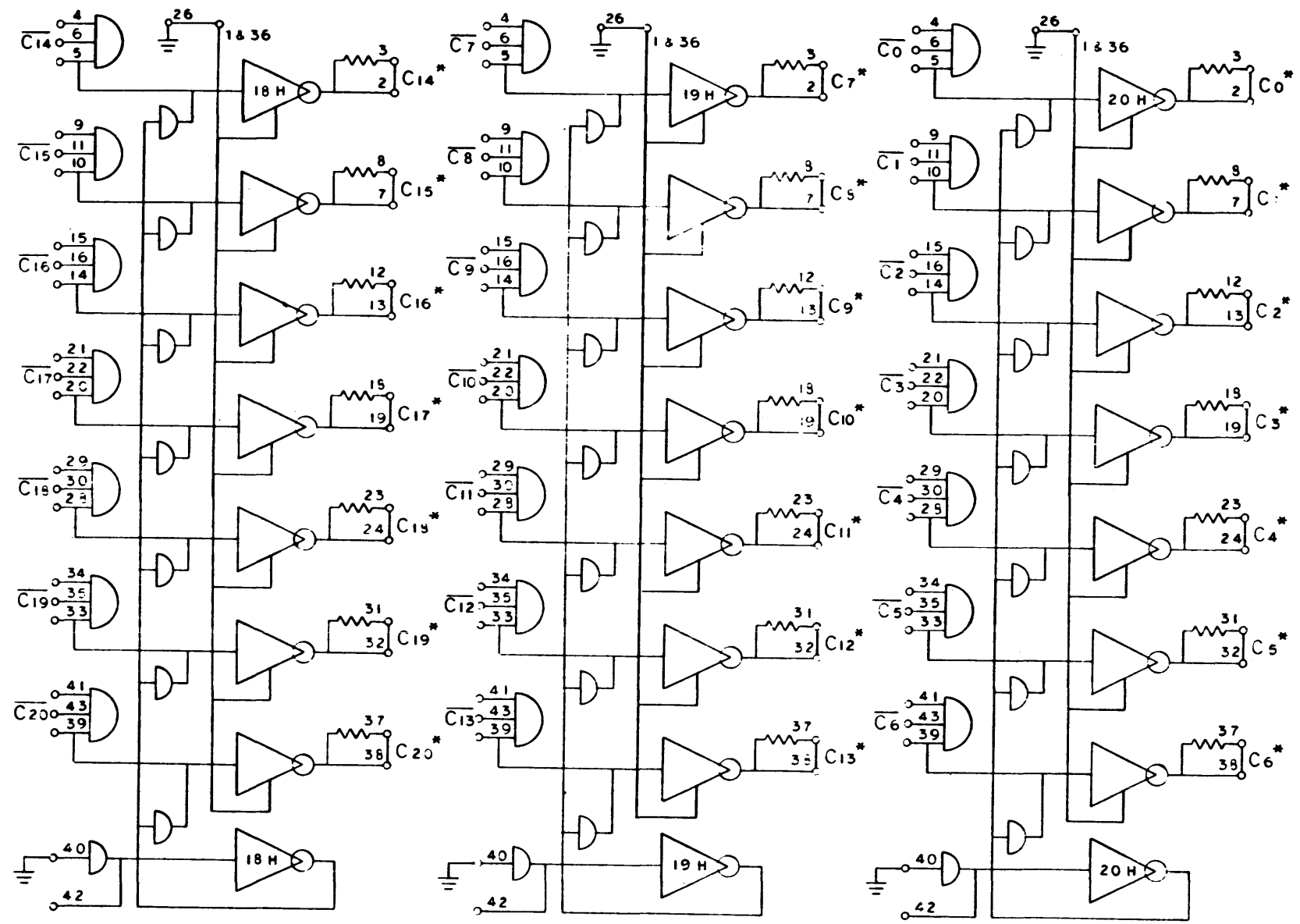


9126
SIGNAL COUPLER
Page 5
A

103042 A

NO	DRAWING NO	DESCRIPTION	REFERENCE DESIGNATION	ITEM NO.
NOTES UNLESS SPECIFIED				
1	TOLERANCES	ANGULAR		
2	UNLESS OTHERWISE SPECIFIED	2.54		
3	DRILL ALL SHARP EDGES	0.10		
4	DRILL ALL SURFACES	0.10		
5	DRILL ALL SURFACES	0.10		
MATERIAL LIST				
SDS SCIENTIFIC DATA SYSTEMS				
1425 FIFTEENTH STREET SANTA MONICA CALIFORNIA				
TITLE				
DIAGRAM, LOGIC, SIGNAL COUPLER				
MODEL NO.	9126	SIZE	DWG NO.	A
NEXT ASSY.		SCALE	103042	
DO NOT SCALE DRAWING SHEET				

REV		DESCRIPTION		CHK	DATE	APPROVED
A		RELEASED TO MFG				<i>C.B. 6/13/53</i>

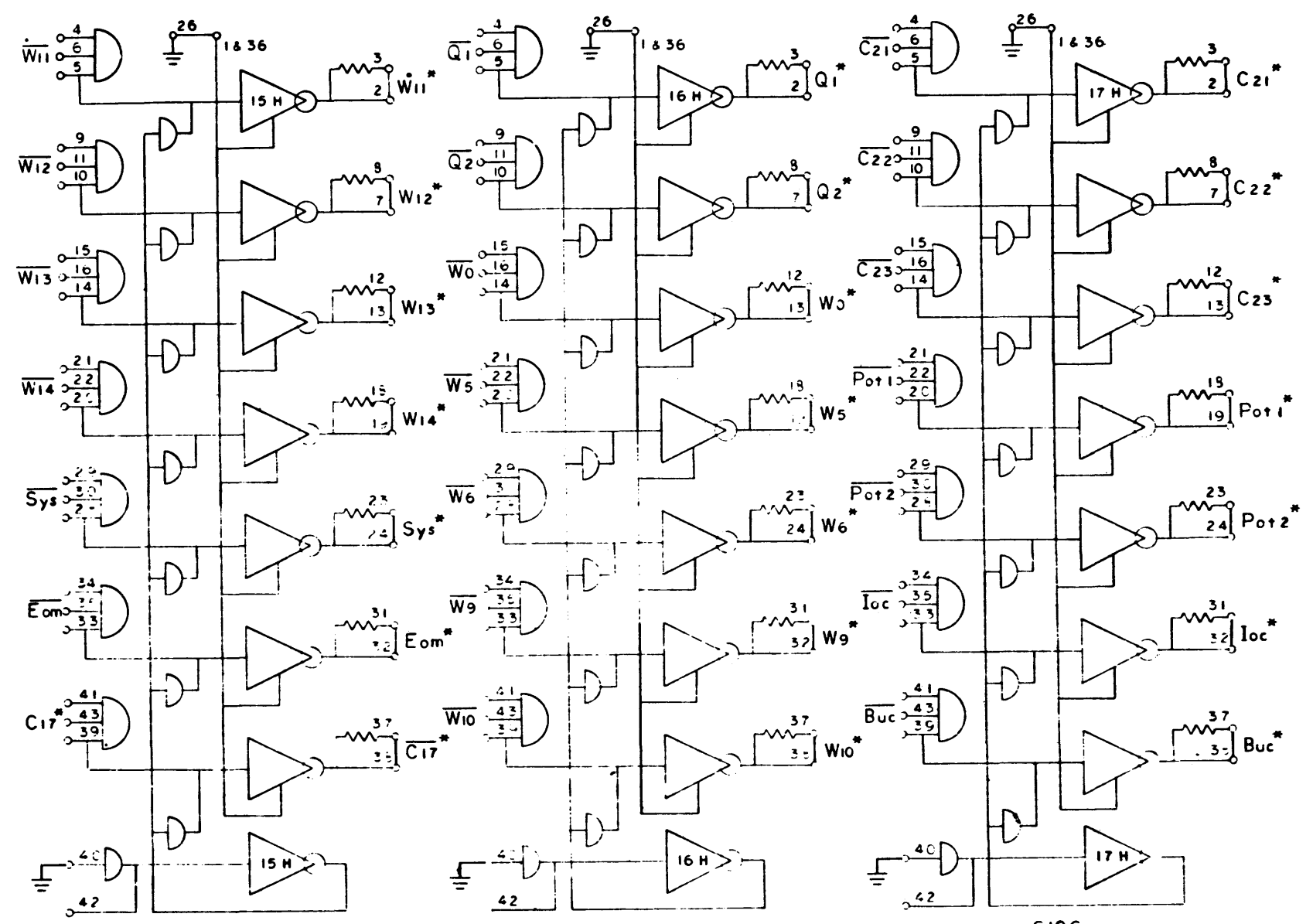


9126
SIGNAL COUPLER
PAGE 6
A

1030-2 | A |

NO. REV.	DRAWING NO.	DESCRIPTION	REFERENCE DESIGNATION	ITEM NO.
MATERIAL LIST				
NOTES UNLESS SPECIFIED		DRAWN <i>J.H.</i>	DATE <i>5/5/53</i>	 1242 FIFTEENTH STREET SANTA MONICA CALIFORNIA
1. TOLERANCES EX. ±.000 ANGULAR EX. ±.0° 2 1/2° 2. BREAK ALL SHARP EDGES 3. HATCH SURFACES ✓ 4. ALL DIM. IN INCHES		CHECK <i>C.J. Green</i>	APPR. <i>[Signature]</i>	
		DIAGRAM, LOGIC, SIGNAL COUPLER		
MODEL NO.	9126	SIZE	DWG NO.	A
NEXT ASSY.		SCALE	DO NOT SCALE DRAWING	SHEET

REV	DESCRIPTION	DATE	APPROVED
A	RELEASED TO MFG	6/16/63	[Signature]

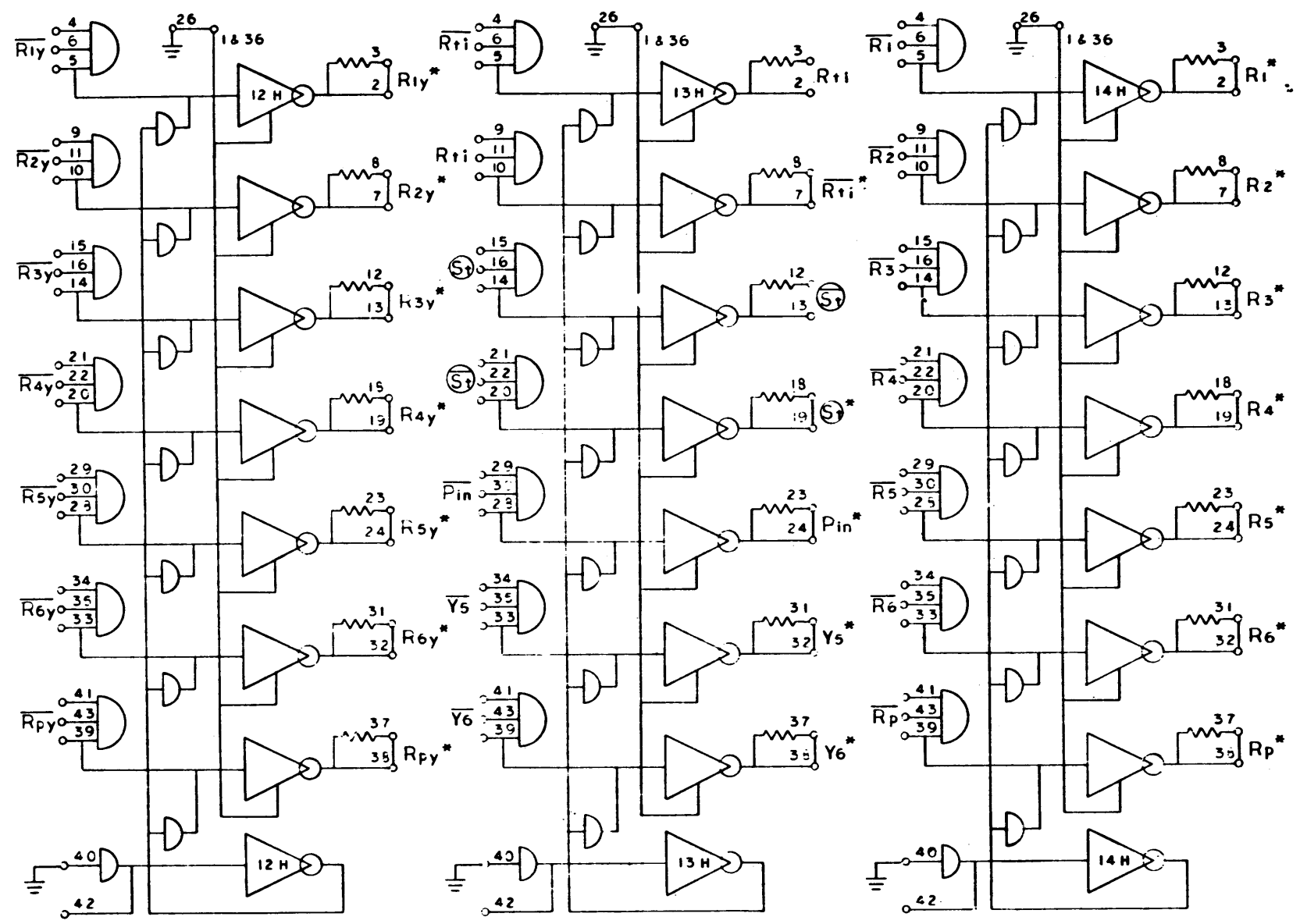


9126
SIGNAL COUPLER
Page 7 A

103042 A

NO. REV.	DRAWING NO.	DESCRIPTION	REFERENCE DESIGNATION	FILE NO.
MATERIAL LIST				
NOTES UNLESS SPECIFIED		DRAWN: [Signature] CHECK: [Signature] APPR: [Signature]	SDS SCIENTIFIC DATA SYSTEMS 1545 PATENTITE STREET SANTA MONICA CALIFORNIA	
1. TOLERANCES UNLESS SPECIFIED: .125" - .500" ANGULAR ± 1° .500" - 2.000" ± .010" 2. BREAK ALL SHARP EDGES AND CORNERS 3. HATCH SURFACES 4. ALL DIM. IN INCHES		DIAGRAM, LOGIC, SIGNAL COUPLER		
MODEL NO.	9126	SIZE	DWG NO.	103042 A
NEXT ASSY.		SCALE	DO NOT SCALE DRAWING	SHEET

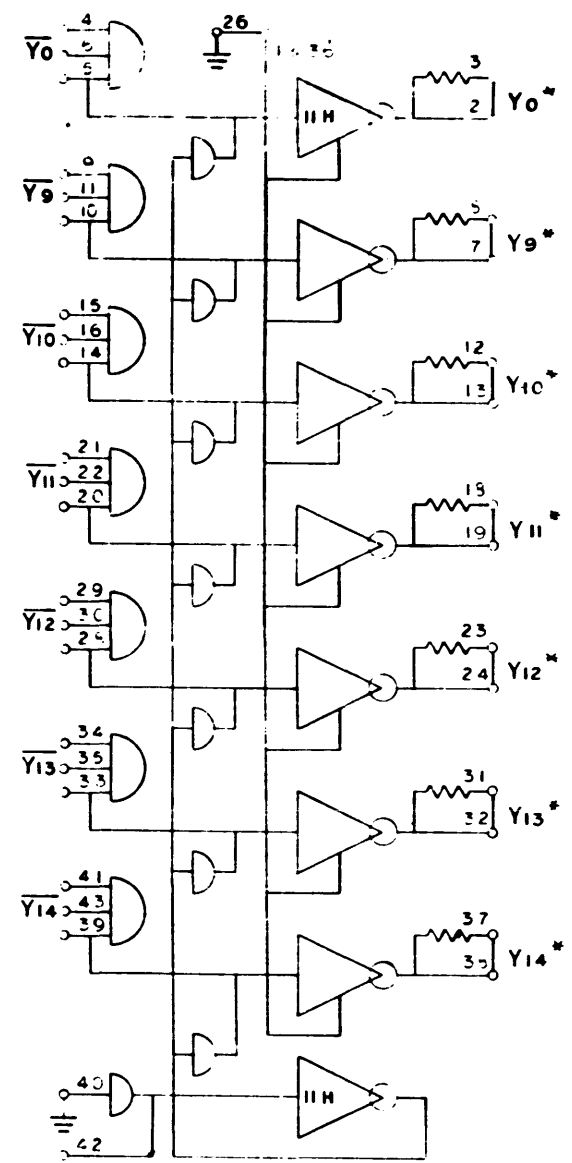
REV		DESCRIPTION		CHE	DATE	APPROVED
A		RELEASED TO MFG		C.B. White	6/1/63	



9126
SIGNAL COUPLER
PAGE 8
A

NO. REC.	DRAWING NO.	DESCRIPTION	REFERENC. DESIGNATION	ITEM NO.
MATERIAL LIST				
NOTES UNLESS SPECIFIED				
* TOLERANCES UNLESS SPECIFIED		DRAWN	5/1/63	SDS SCIENTIFIC DATA SYSTEMS <small>1430 FORTUITOUS STREET SANTA MONICA, CALIFORNIA</small>
* DIMENSIONS UNLESS SPECIFIED		CHECK	6/1/63	
* FINISH UNLESS SPECIFIED		APPR	5/5/63	
* ALL DIM IN INCHES				DIAGRAM, LOGIC, SIGNAL COUPLER
MODEL NO.	9126			D 103042 A
SHEET ASSY.				SCALE: DO NOT SCALE DRAWING SHEET

103042 1A



10	9	8	7	6	5	4	3	2	1
AUX W	AUX W	AUX W	AUX W	MT W	POT	POT	AUX Y	AUX Y	MT Y

9126
SIGNAL COUPLER
Page 9
A

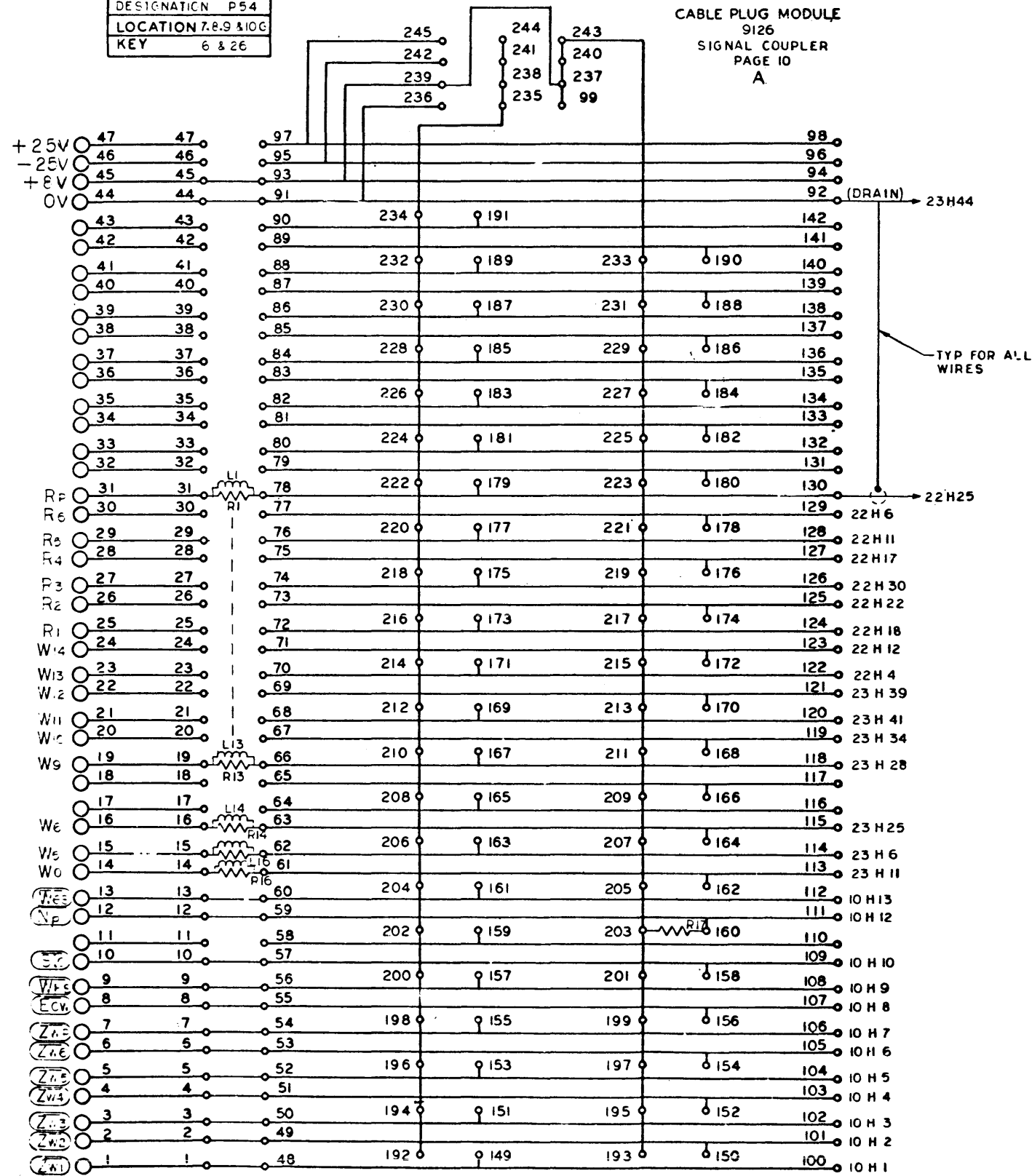
103042 A

NO. REQ.	DRAWING NO.	DESCRIPTION	REFERENCE DESIGNATION	ITEM NO.
NOTES UNLESS SPECIFIED		MATERIAL LIST		
1. TOLERANCES MM 2.000 IN 0.010		DRAWN <i>S.H.</i>	DATE <i>6/1/63</i>	SDS SCIENTIFIC DATA SYSTEMS 1525 FIFTEENTH STREET SANTA MONICA CALIFORNIA
2. BREAK ALL SHARP EDGES 0.10 APPROX		CHECK <i>S.H.</i>	DATE <i>6/1/63</i>	
3. MATCH SURFACES		APPR. <i>S.H.</i>		TITLE DIAGRAM, LOGIC, SIGNAL COUPLER
4. ALL DIM IN INCHES				
MODEL NO.	9126	SIZE	DWG NO.	A
NEXT ASSY.		SCALE	DO NOT SCALE DRAWING	SHEET

REV		DESCRIPTION		CHK	DATE	APPROVED
A.		RELEASED TO MFG		C. J. ...	1/1/63	[Signature]

DESIGNATION P54
 LOCATION 7.8.9 & 10G
 KEY 6 & 26

CABLE PLUG MODULE
 9126
 SIGNAL COUPLER
 PAGE 10
 A



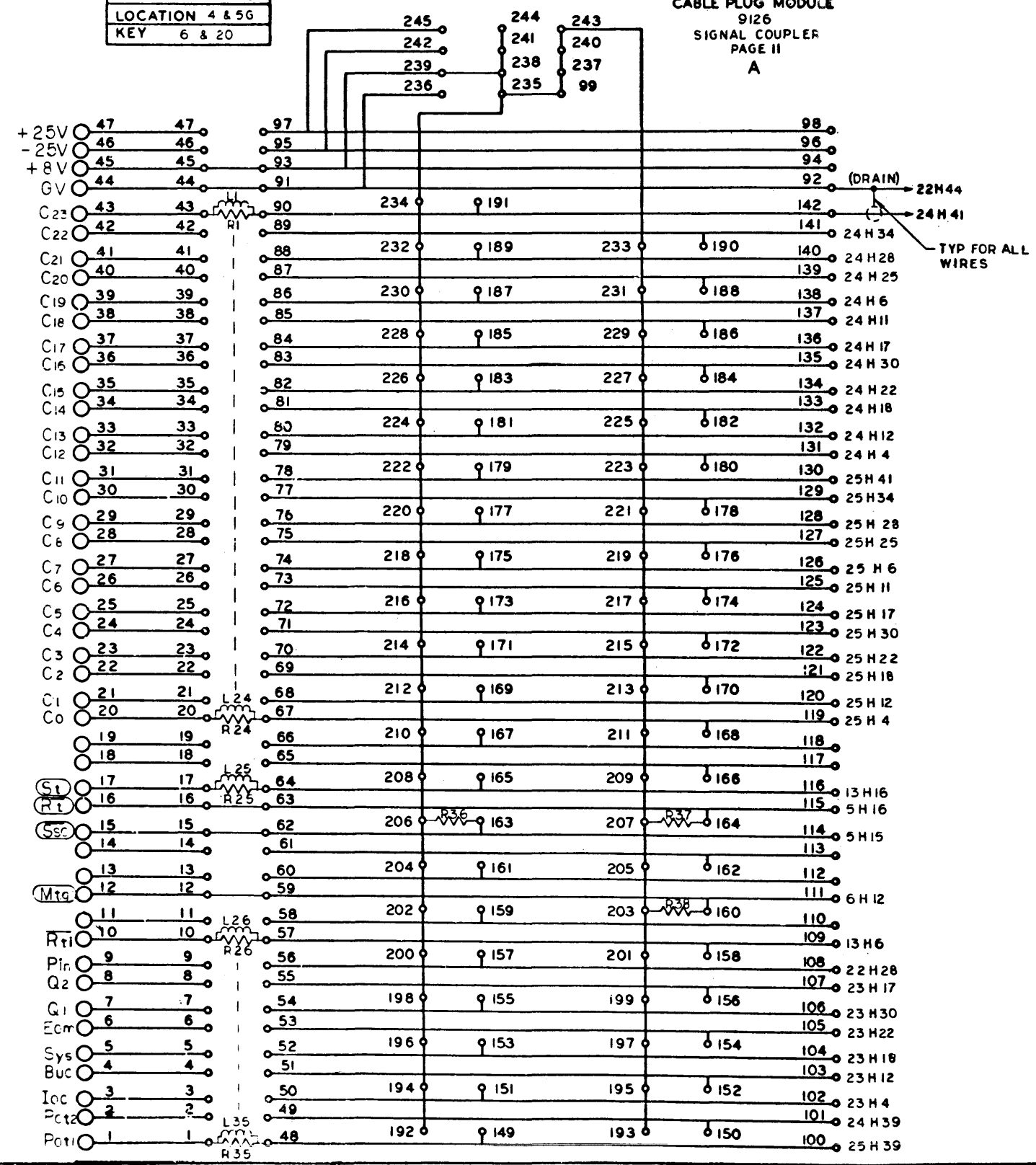
NO. REV.	DRAWING NO.	DESCRIPTION	REFERENCE DESIGNATION	ITEM NO.
MATERIAL LIST				
NOTES UNLESS SPECIFIED		DRAWN C. CASTRO 5-2-63	SDS SCIENTIFIC DATA SYSTEMS 1542 FIFTEENTH STREET, SANTA MONICA, CALIFORNIA	
1. TOLERANCES 2. DIM. 3. BREAK ALL SHARP EDGES 4. MACH. SURFACES 5. ALL DIM. IN INCHES	CHECK [Signature] 1/10/63	APPR [Signature] 1/1/63	TITLE DIAGRAM, LOGIC SIGNAL COUPLER	
MODEL NO. 9126	REV. D	DWG. NO. 103042	SHEET NO. A	
NEXT ASSY.		SCALE	DO NOT SCALE DRAWING SHEET	

100071A

REVISIONS				103042	A
REV	DESCRIPTION	CHK	DATE	APPROVED	
A	RELEASED TO MFG	CJB	6/13/65		

DESIGNATION P55
LOCATION 4 & 5G
KEY 6 & 20

CABLE PLUG MODULE
9126
SIGNAL COUPLER
PAGE II
A

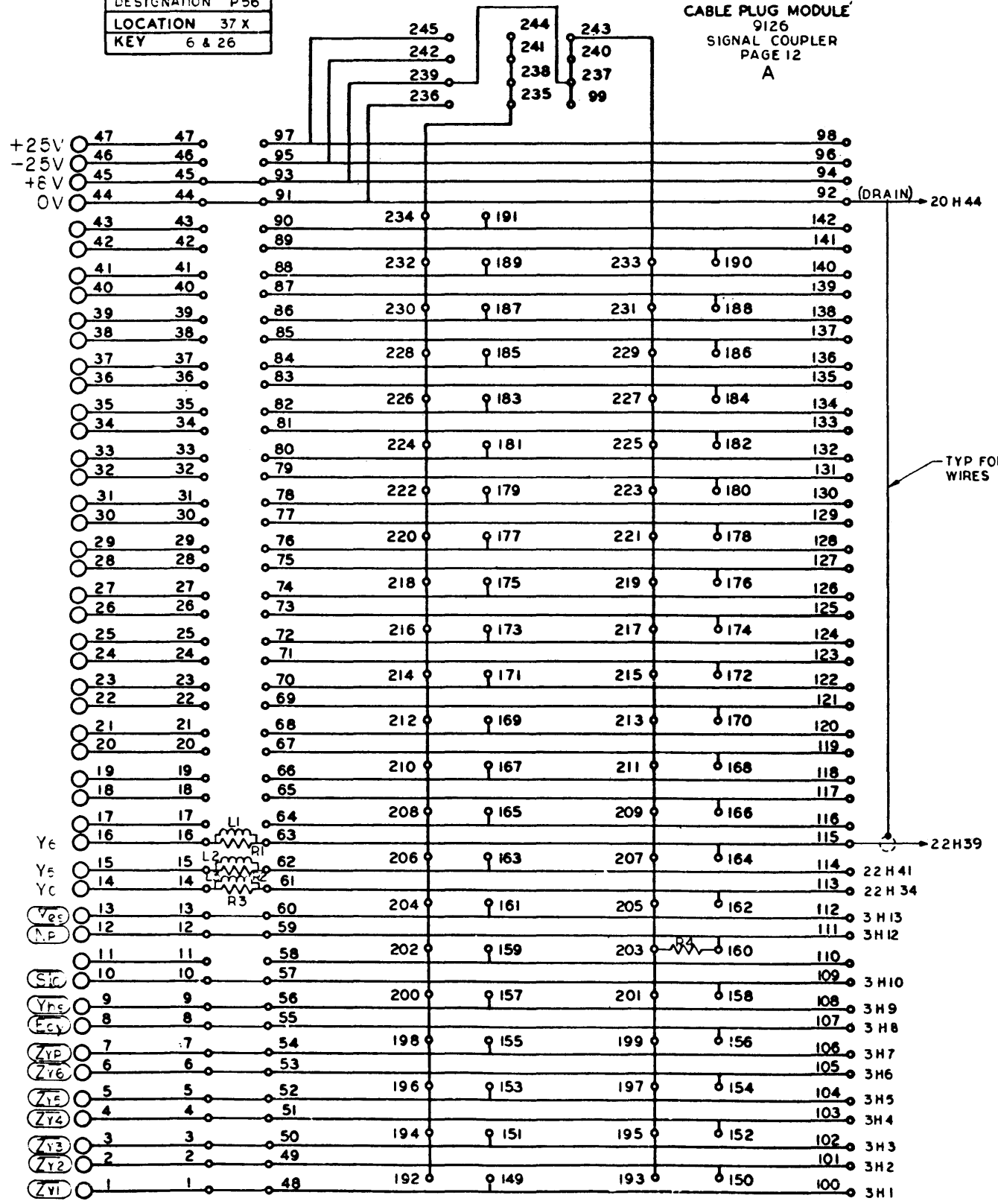


NO	REV	DRAWING NO.	DESCRIPTION	REFERENCE DESIGNATION	ITEM NO.
NOTES UNLESS SPECIFIED					
1. TOLERANCES UNLESS SPECIFIED		DRAWN	G. CASTRO 5-8-65	MATERIAL LIST	
2. DIMENSIONS ARE IN INCHES UNLESS OTHERWISE SPECIFIED		CHECK	C. BANK 6/1/65	SDS SCIENTIFIC DATA SYSTEMS	
3. DIMENSIONS ARE IN MILLIMETERS UNLESS OTHERWISE SPECIFIED		APPR	J. B. BANK 6/1/65	1435 FIFTEENTH STREET, SANTA MONICA, CALIFORNIA	
4. DIMENSIONS ARE IN MILLIMETERS UNLESS OTHERWISE SPECIFIED		TITLE			
5. DIMENSIONS ARE IN MILLIMETERS UNLESS OTHERWISE SPECIFIED		DIAGRAM, LOGIC SIGNAL COUPLER			
6. DIMENSIONS ARE IN MILLIMETERS UNLESS OTHERWISE SPECIFIED		MODEL NO.		SIZE	SHEET NO.
7. DIMENSIONS ARE IN MILLIMETERS UNLESS OTHERWISE SPECIFIED		9126		D	103042
8. DIMENSIONS ARE IN MILLIMETERS UNLESS OTHERWISE SPECIFIED		NEXT ASSY.		SCALE	A
9. DIMENSIONS ARE IN MILLIMETERS UNLESS OTHERWISE SPECIFIED				DO NOT SCALE DRAWING SHEET	

REVISIONS				103042 A
REV	DESCRIPTION	CHK	DATE	APPROVED
A	RELEASED TO MFG	CLB	4/16/63	[Signature]

DESIGNATION P56
 LOCATION 37 X
 KEY 6 & 26

CABLE PLUG MODULE
 9126
 SIGNAL COUPLER
 PAGE 12
 A



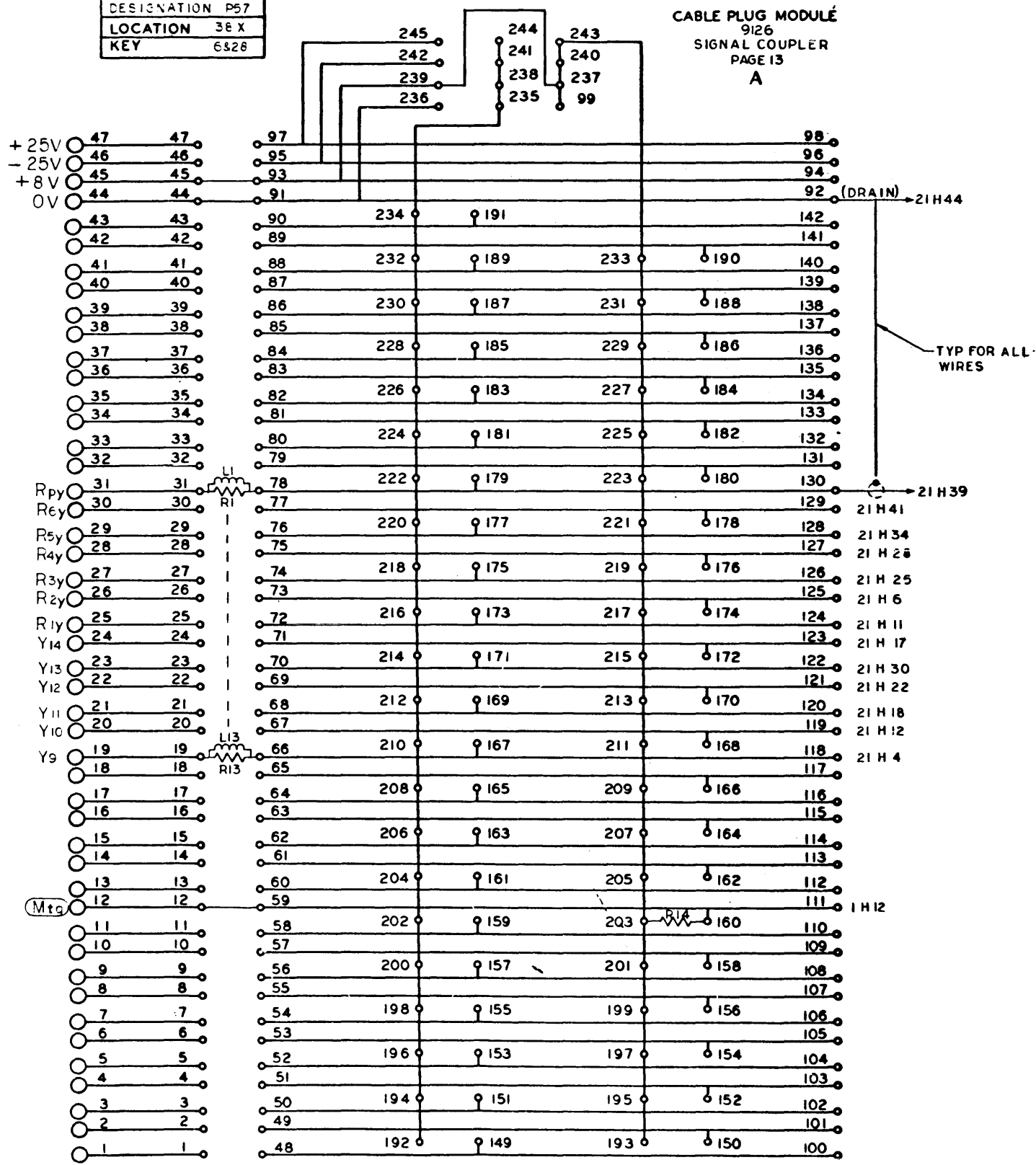
REV	DRAWING NO.	DESCRIPTION	REFERENCE DESIGNATION	REV
MATERIAL LIST				
NOTES UNLESS SPECIFIED		DRAWN	C. CASTRO	5-8-63
1. TOLERANCES UNLESS OTHERWISE SPECIFIED		CHECK	C. B. BARKER	4/16/63
2. BREAK ALL SHARP CORNERS AND APPROX.		APPR	[Signature]	4/16/63
3. HATCH SURFACES		TITLE		
4. ALL DIM. IN INCHES		DIAGRAM, LOGIC SIGNAL COUPLER		
MODEL NO.	9126	REV	D	103042
				A
SCALE		DO NOT SCALE DRAWING SHEET		

103042A1

REVISIONS				103042	A
REV	DESCRIPTION	CHK	DATE	APPROVED	
A	RELEASED TO MFG	CIB	6/18/63	[Signature]	

DESIGNATION P57
LOCATION 3E X
KEY 6328

CABLE PLUG MODULE
9126
SIGNAL COUPLER
PAGE 13
A



103042 A1

REV	DRAWING NO.	DESCRIPTION	REFERENCE DESIGNATION	ITEM NO.
NOTES UNLESS SPECIFIED		MATERIAL LIST		
1. TOLERANCES UNLESS SPECIFIED ARE AS SHOWN	DRAWN C. CASTRO 5-3-63	CHECK C. B. BARK 6/19/63	SDS SCIENTIFIC DATA SYSTEMS 1025 FIFTEENTH STREET SANTA MONICA, CALIFORNIA	
2. BREAK ALL SHARP EDGES 3. HIDE DIMENSIONS 4. ALL DIMENSIONS	APPR. [Signature] 6/18/63	TITLE DIAGRAM, LOGIC SIGNAL COUPLER		
MODEL NO. 9126	SIZE D	DWG NO. 103042	A	
NEXT ASSY	SCALE	DO NOT SCALE DRAWING	SHEET	

REVISIONS				
REV	DESCRIPTION	CHK	DATE	APPROVED
A	RELEASED TO MFG	C/B	6/16/63	[Signature]
B	SEE REVISION E0			[Signature]

MODULE LIST			
ITEM	DESCRIPTION	MODEL	QTY
1	CABLE DRIVER	AX14	10
2	AND INVERTER	IL 12	5

REPLACEMENT PARTS LIST				
ITEM	DESCRIPTION	DESIGNATION	QTY	SUPPLIER CODE (SEE INDEX)
1	RESISTOR, 470Ω ± 2%	(P54) R1 THRU R16 (P55) R1 THRU R35 (P56) R1 THRU R3 (P57) R1 THRU R13	67	16,17
2	RESISTOR, 8.2KΩ ± 2%	(P54) R17 (P55) R36, R37, R38 (P56) R4 (P57) R14	6	16,17
3	INDUCTOR, 220 μf ± 5%	(P54) L1 THRU L16 (P55) L1 THRU L35 (P56) L1 THRU L3 (P57) L1 THRU L13	67	42,90,91
4	CONNECTOR, SOLDER TAIL, 47 CONTACT #7008-47	J(H) THRU J(25H)	25	82

9126
SIGNAL COUPLER
PAGE 15
B

103042 B

NO. REG.	DRAWING NO.	DESCRIPTION	REFERENCE DESIGNATION	ITEM NO.
MATERIAL LIST				
NOTES UNLESS SPECIFIED		DRAWN C. CASTRO 5-23-63	SDS SCIENTIFIC DATA SYSTEMS <small>1545 FIFTEENTH STREET SANTA MONICA CALIFORNIA</small>	
1 TOLERANCES UNLESS SPECIFIED ANGULAR ± 1° HOLE ± 0.010 HOLE ± 0.010 HOLE ± 0.010 HOLE ± 0.010 HOLE ± 0.010		CHECK C. CASTRO 6/16/63		
		APPR. [Signature]	TITLE DIAGRAM, LOGIC SIGNAL COUPLER	
MODEL NO. 9126			SIZE D	DWG NO. 103042 B
NEXT ASSY.			SCALE	DO NOT SCALE DRAWING SHEET 5 OF 16

