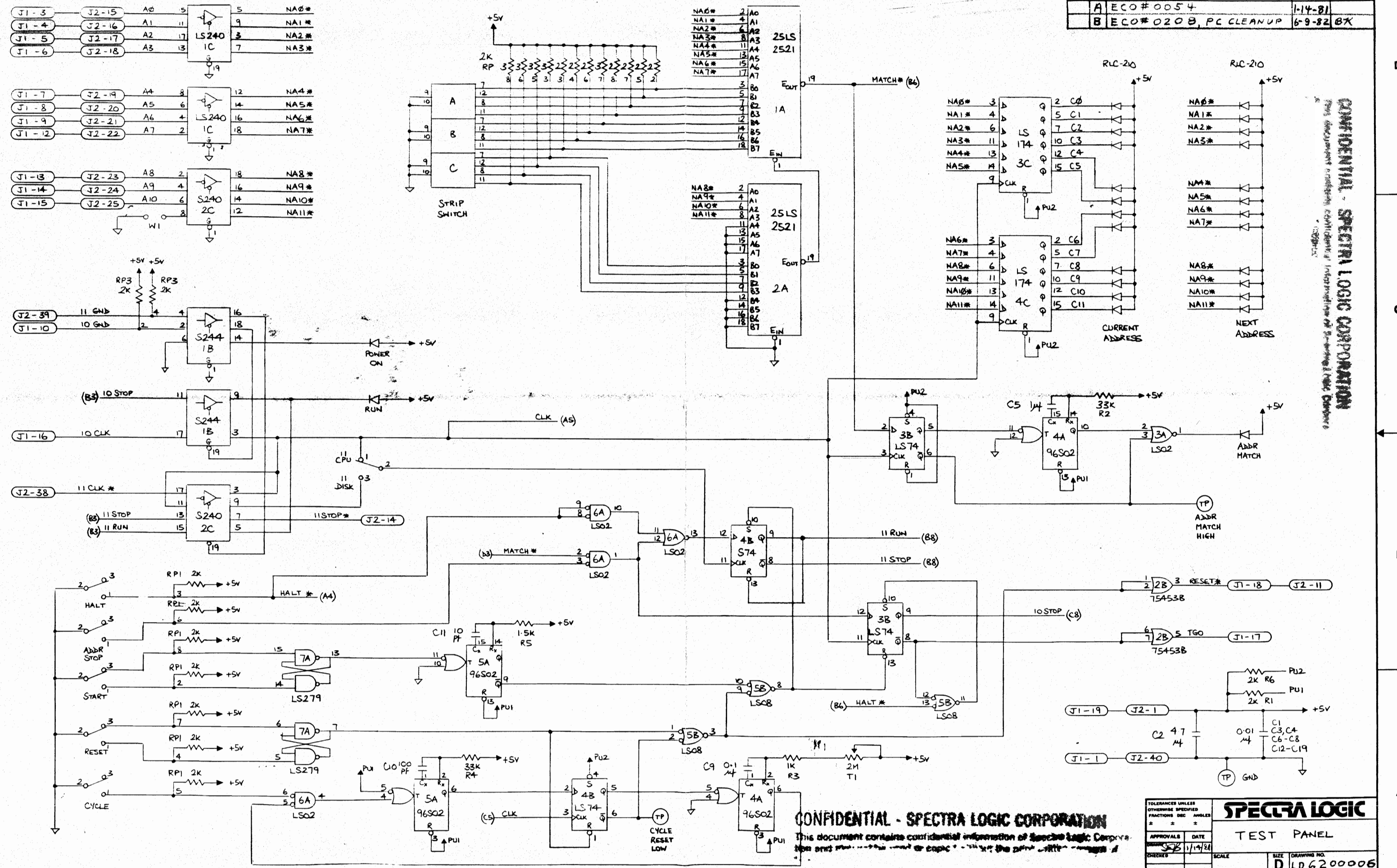


REV		DESCRIPTION	DATE	APPROVED
A	ECO#0054		1-14-81	
B	ECO#0208, PC CLEANUP		6-9-82	BK



CONFIDENTIAL - SPECTRA LOGIC CORPORATION
 This document contains confidential information of Spectra Logic Corporation.
 © 1981 Spectra Logic Corporation

CONFIDENTIAL - SPECTRA LOGIC CORPORATION

This document contains confidential information of Spectra Logic Corporation and should not be distributed outside of the company.

TOLERANCES UNLESS OTHERWISE SPECIFIED FRACTIONS DEC ANGLES		SPECTRA LOGIC	
TEST PANEL			
APPROVALS	DATE	DRAWING NO. D LD6200006	
CHECKED	1/14/81	SCALE	SIZE
		DRAWING NO. D LD6200006	
DO NOT SCALE DRAWING SHEET 1 OF 1			