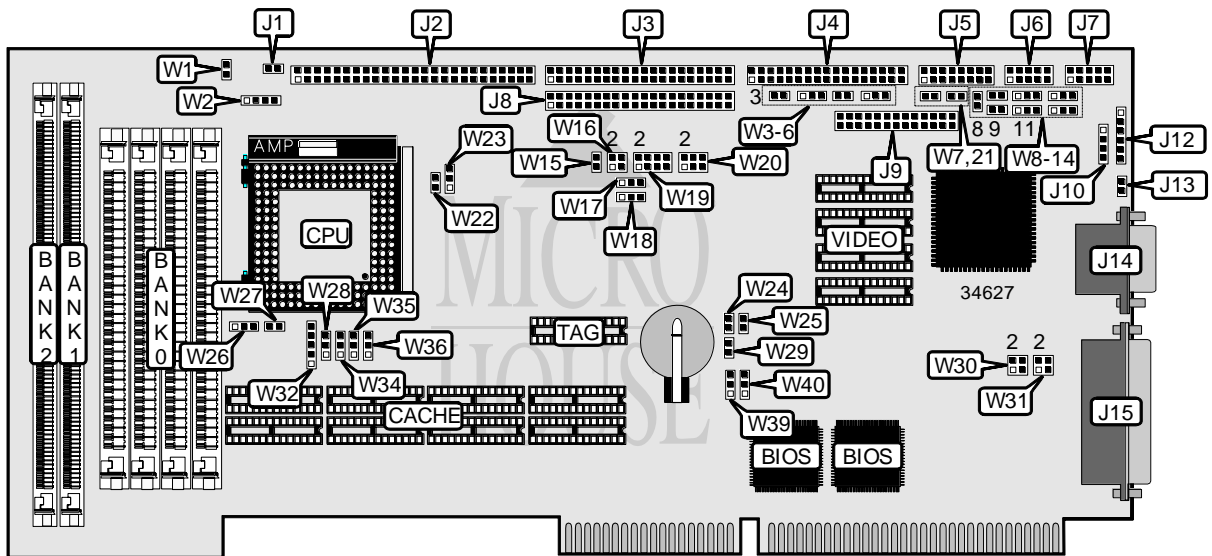


# TEKNOR INDUSTRIAL COMPUTERS, INC.

## TEK 735

<b>Processor</b>	80486DX/80486DX2/SL80486DX2/AM486DX4/80486DX4/AM486DX5
<b>Processor Speed</b>	25/33/40/50(internal)/50/66(internal)/75(internal)/100(internal)/133(internal)MHz
<b>Chip Set</b>	Unidentified
<b>Video Chip Set</b>	Cirrus Logic
<b>Maximum Onboard Memory</b>	64MB
<b>Maximum Video Memory</b>	2MB
<b>Cache</b>	128/256/512KB
<b>BIOS</b>	Award
<b>Dimensions</b>	339mm x 122mm
<b>I/O Options</b>	Floppy drive interface, IDE interfaces (2), SCSI interface, parallel port, PS/2 mouse interface, serial ports (2), VGA feature connector, VGA port
<b>NPU Options</b>	None



CONNECTIONS			
Purpose	Location	Purpose	Location
CPU fan power	J1	IDE interface 2	J8
SCSI interface	J2	VGA feature connector	J9
IDE interface 1	J3	PS/2 mouse interface	J10
Floppy drive interface	J4	Power connector	J12
Keyboard, speaker, reset, LED	J5	VGA port	J14
Serial port 1	J6	Parallel port	J15
Serial port 2	J7		

Continued on next page...

TEKNOR INDUSTRIAL COMPUTERS, INC.  
TEK 735

... continued from previous page

USER CONFIGURABLE SETTINGS		
Function	Label	Position
í BIOS boot select normal boot	J13	Open
BIOS boot select emergency boot	J13	Closed
í IOCHRDY signal to IDE interface disabled	W15	Open
IOCHRDY signal to IDE interface enabled	W15	Closed
í SCSI IRQ select IRQ11	W18	Pins 2 & 3 closed
SCSI IRQ select IRQ10	W18	Pins 1 & 2 closed
í Serial download mode disabled	W19/pins 1 & 2	Open
Serial download mode enabled	W19/pins 1 & 2	Closed
í VT100 mode disabled	W19/pins 3 & 4	Open
VT100 mode enabled	W19/pins 3 & 4	Closed
í TEKNOR extension enabled	W19/pins 5 & 6	Open
TEKNOR extension disabled	W19/pins 5 & 6	Closed
í On board video enabled	W19/pins 7 & 8	Open
On board video disabled	W19/pins 7 & 8	Closed
í VGA high speed write select 1 wait state	W21	Closed
VGA high speed write select 0 wait states	W21	Open
í SCSI I/O port select 340	W22	Open
SCSI I/O port select 140	W22	Closed
í Watchdog timer enabled	W24	Closed
Watchdog timer disabled	W24	Open
í AT clock generation select >33MHz	W25	Open
AT clock generation select <33MHz	W25	Closed
í Factory configured - do not alter	W26	Unidentified
í Power fail monitoring disabled	W29	Open
Power fail monitoring enabled	W29	Closed
í Power failure detection source external power fail (pin 6 on J12)	W39	Pins 1 & 2 closed
Power failure detection source internal/external battery <3v	W39	Pins 2 & 3 closed
Battery type select internal	W40	Pins 1 & 2 closed
Battery type select external	W40	Pins 2 & 3 closed

SIMM CONFIGURATION	
Size	Bank 0
1MB	(4) 256K x 9
4MB	(4) 1M x 9
16MB	(4) 4M x 9

Continued on next page. . .

TEKNOR INDUSTRIAL COMPUTERS, INC.  
TEK 735

... continued from previous page

SIMM CONFIGURATION		
Size	Bank 1	Bank 2
1MB	(1) 256K x 36	None
2MB	(1) 256K x 36	(1) 256K x 36
3MB	(1) 512K x 36	(1) 256K x 36
4MB	(1) 1M x 36	None
4MB	(1) 512K x 36	(1) 512K x 36
5MB	(1) 1M x 36	(1) 256K x 36
6MB	(1) 1M x 36	(1) 512K x 36
8MB	(1) 2M x 36	None
8MB	(1) 1M x 36	(1) 1M x 36
9MB	(1) 2M x 36	(1) 256K x 36
10MB	(1) 2M x 36	(1) 512K x 36
12MB	(1) 2M x 36	(1) 1M x 36

SIMM CONFIGURATION (CON'T)		
Size	Bank 1	Bank 2
16MB	(1) 4M x 36	None
16MB	(1) 2M x 36	(1) 2M x 36
17MB	(1) 4M x 36	(1) 256K x 36
18MB	(1) 4M x 36	(1) 512K x 36
20MB	(1) 4M x 36	(1) 1M x 36
24MB	(1) 4M x 36	(1) 2M x 36
32MB	(1) 8M x 36	None
32MB	(1) 4M x 36	(1) 4M x 36
33MB	(1) 8M x 36	(1) 256K x 36
34MB	(1) 8M x 36	(1) 512K x 36
36MB	(1) 8M x 36	(1) 1M x 36
40MB	(1) 8M x 36	(1) 2M x 36
48MB	(1) 8M x 36	(1) 4M x 36
64MB	(1) 8M x 36	(1) 8M x 36

Note: Memory installed in Banks 1 & 2 is interchangeable.

CACHE CONFIGURATION			
Size	Bank 0	Bank 1	TAG
128KB	(4) 32K x 8	None	Unidentified
256KB	(4) 32K x 8	(4) 32K x 8	Unidentified
512KB	(4) 64K x 8	(4) 64K x 8	Unidentified

VIDEO MEMORY CONFIGURATION
Note: Board accepts 1MB/2MB video memory. The configuration is unidentified.

Continued on next page...

TEKNOR INDUSTRIAL COMPUTERS, INC.  
TEK 735

... continued from previous page

CPU SPEED SELECTION	
Speed	W20
25MHz	Pins 3 & 4 closed
33MHz	Pins 1 & 2 closed
40MHz	Open
50iMHz	Pins 3 & 4 closed
50MHz	Pins 1 & 2, 3 & 4, 5 & 6 closed
66iMHz	Pins 1 & 2 closed
75iMHz	Pins 3 & 4 closed
100iMHz	Pins 1 & 2 closed
133MHz	Pins 1 & 2 closed

CPU TYPE SELECTION			
Type	W2	W27	W28
80486DX	Open	Open	Open
80486DX2	Open	Open	Open
SL80486DX2	Open	Open	Pins 2 & 3 closed
AM486DX4 (2x)	Pins 1 & 2 closed	Open	Open
AM486DX4 (3x)	Open	Open	2 & 3
80486DX4 (2x)	Pins 1 & 2 closed	Open	Open
80486DX4 (3x)	Open	Open	2 & 3
AM486DX5	Pins 1 & 2 closed	Open	Open

CPU TYPE SELECTION				
Type	W32	W34	W35	W36
80486DX	1 & 2, 3 & 4	Open	1 & 2	Open
80486DX2	1 & 2, 3 & 4	Open	1 & 2	Open
SL80486DX2	1 & 2, 3 & 4	2 & 3	1 & 2	1 & 2
AM486DX4 (2x)	1 & 2, 3 & 4	Open	2 & 3	Open
AM486DX4 (3x)	1 & 2, 3 & 4	2 & 3	2 & 3	1 & 2
80486DX4 (2x)	1 & 2, 3 & 4	Open	2 & 3	Open
80486DX4 (3x)	1 & 2, 3 & 4	2 & 3	2 & 3	1 & 2
AM486DX5	1 & 2, 3 & 4	Open	2 & 3	Open

Note: Pins designated should be in the closed position.

CPU VOLTAGE SELECTION	
Voltage	W1
3.3v	Open
5v	Closed

Continued on next page. . .

TEKNOR INDUSTRIAL COMPUTERS, INC.  
TEK 735

... continued from previous page

BUS SPEED SELECTION	
Speed	W7
í <= 33MHz	Open
>33 MHz	Closed

DMA CHANNEL SELECTION		
Channel	W17	W23
í None	Open	Open
0	Pins 1 & 2 closed	Pins 2 & 3 closed
5	Pins 2 & 3 closed	Pins 1 & 2 closed

SERIAL PORT 2 LOOPBACK SELECTION		
Setting	W9	W10
í Normal	Open	Open
Loopback	Closed	Closed

SERIAL PORT 2 SELECTION					
Setting	W8	W11	W12	W13	W14
í RS-232	Open	1 & 2	1 & 2	1 & 2	1 & 2
RS-485	Closed	2 & 3	2 & 3	2 & 3	2 & 3

Note: Pins designated should be in the closed position.

FLOPPY DRIVE EDOUT SELECTION	
Setting	W30
í Left to software	Open
Ground to pin 17 on J4, EDOUT to pin 29 on J4	Pins 1 & 3, 2 & 4 closed
Ground to pin 29 on J4, EDOUT to pin 17 on J4	Pins 1 & 2, 3 & 4 closed

FLOPPY DRIVE HDOUT SELECTION	
Setting	W31
í Left to software	Open
Ground to pin 27 on J4, HDOUT to pin 33 on J4	Pins 1 & 3, 2 & 4 closed
Ground to pin 33 on J4, HDOUT to pin 27 on J4	Pins 1 & 2, 3 & 4 closed

BASE I/O SELECTION	
Address	W16
í 190H	Pins 1 & 2, 3 & 4 closed
290H	Pins 1 & 2 closed
390H	Pins 3 & 4 closed
390H	Open

Continued on next page. . .

TEKNOR INDUSTRIAL COMPUTERS, INC.  
TEK 735

... continued from previous page

VGA CONTROLLER SELECTION				
Setting	W3	W4	W5	W6
Enabled	Closed	Pins 1 & 2 closed	Closed	Pins 1 & 2 closed
Disabled	Open	Pins 2 & 3 closed	Open	Pins 2 & 3 closed