

I.C. TABLE						I.C. TABLE					
TYPE	REF. DESIGNATION	+5V	+5*	+12V	SPARE	TYPE	REF. DESIGNATION	+5V	+5*	+12V	SPARE
74LS00	L4			7	N.A.	LM393N	L43				
74LS03	U9			7	N.A.	75107	U23	7		13	
74LS04	U10			7	U10-12						
7406	U3, U28, U31			7	U28-2,4 U31-2,4						
74LS14	U5, U19, U3			7	U3-2,4 U37-8,10						
7438	U11, J30			7	U30-6						
74LS74	U8, U3, U42, U22			7	U5-9 U22-9						
74574	U32			7	N.A.						
74586	U15			7	N.A.						
74LS123	U25, U16			8	N.A.						
74S188	U7			8	N.A.						
8051	U6			20	N.A.						
FPLA	U12			20	N.A.						
75452	U21, U29			4	N.A.						
76LS31	U41			8	U41-7,9,15						
76LS32	U35			8	U35-3,5,13						
10124	U39	16	8	9	U39-7,10						
1408-B	U13			3	N.A.						
4558	U1			8	4						
CA3096	U46			16							
CA3046	U34										
CA3083	U44			5							
CA4020	U14			8	N.A.						

I.C. TABLE						I.C. TABLE					
TYPE	REF. DESIGNATION	+5V	+5*	+12V	SPARE	TYPE	REF. DESIGNATION	+5V	+5*	+12V	SPARE
LM393N	L43					75107	U23	7		13	

REV	DESCRIPTION	DATE	APPROVED
A	INITIAL RELEASE	3-15-83	DDP
B	REVISED	3-21-83	DDP
C	REVISED. SEE CHANGE SHEET	3/28/83	DDP
D	REVISED	4/1/83	DDP
E	REVISED	5/4/83	DDP
F	REVISED. SEE CHANGE SHEET	7/2/83	DDP
G	REVISED. SEE CHANGE SHEET	4/4/83	DDP
H	NOT USED		
I	REVISED. PER ECN 0019	7/26/83	DDP
K	SEE ECN 032	9/9/83	DDP
L	SEE ECN 071	9/16/83	DDP
M	SEE ECN 235	7/28/83	DDP
N	SEE ECN 339	4/11/84	DDP
P	SEE ECN 362	7/1/84	DDP
R	SEE ECN 377	7/12/84	DDP
S	SEE ECN 374	9/16/84	DDP

D

C

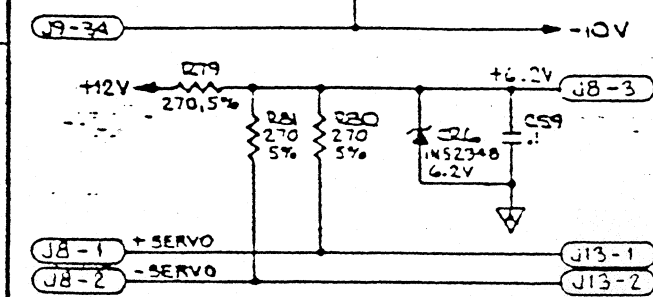
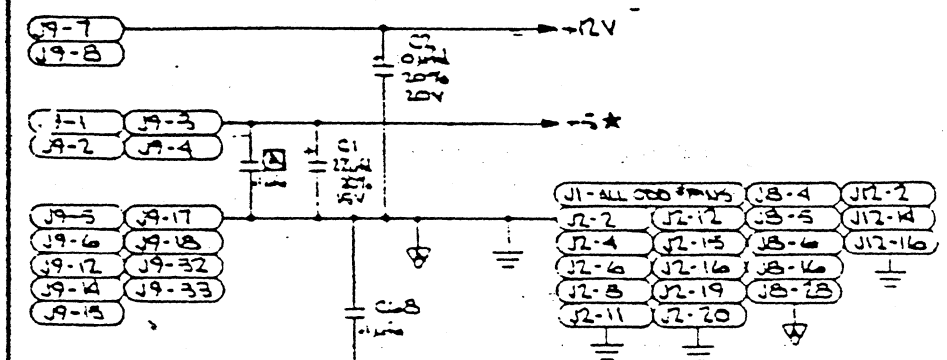
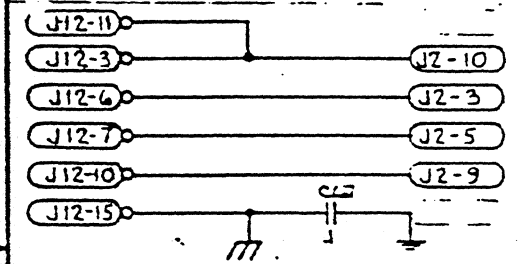
B

A

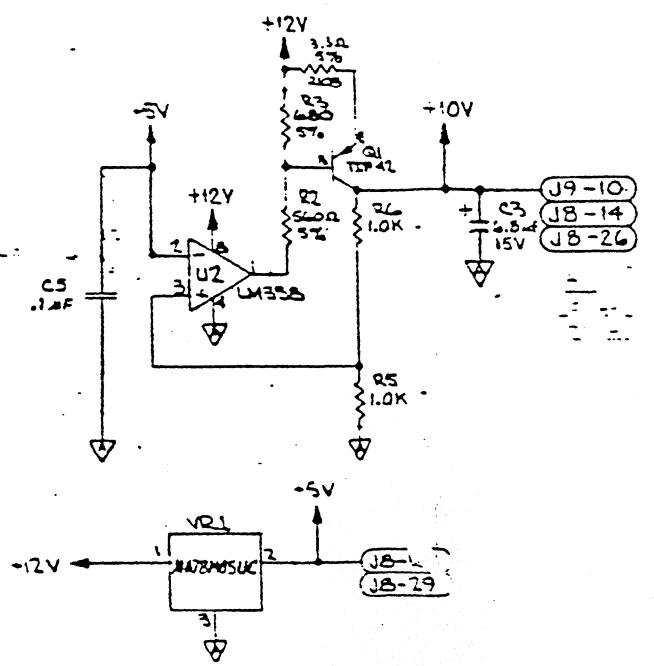
D

C

B

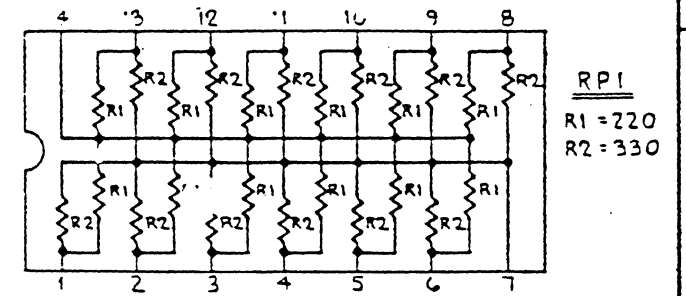


POWER DISTRIBUTION



ON BOARD VOLTAGE REGULATORS

CAUTION: C7, C9, C11-C17, C22, C23, C27, C28, C46, C47, C55, C57, C58, C64, C65, C69, C70

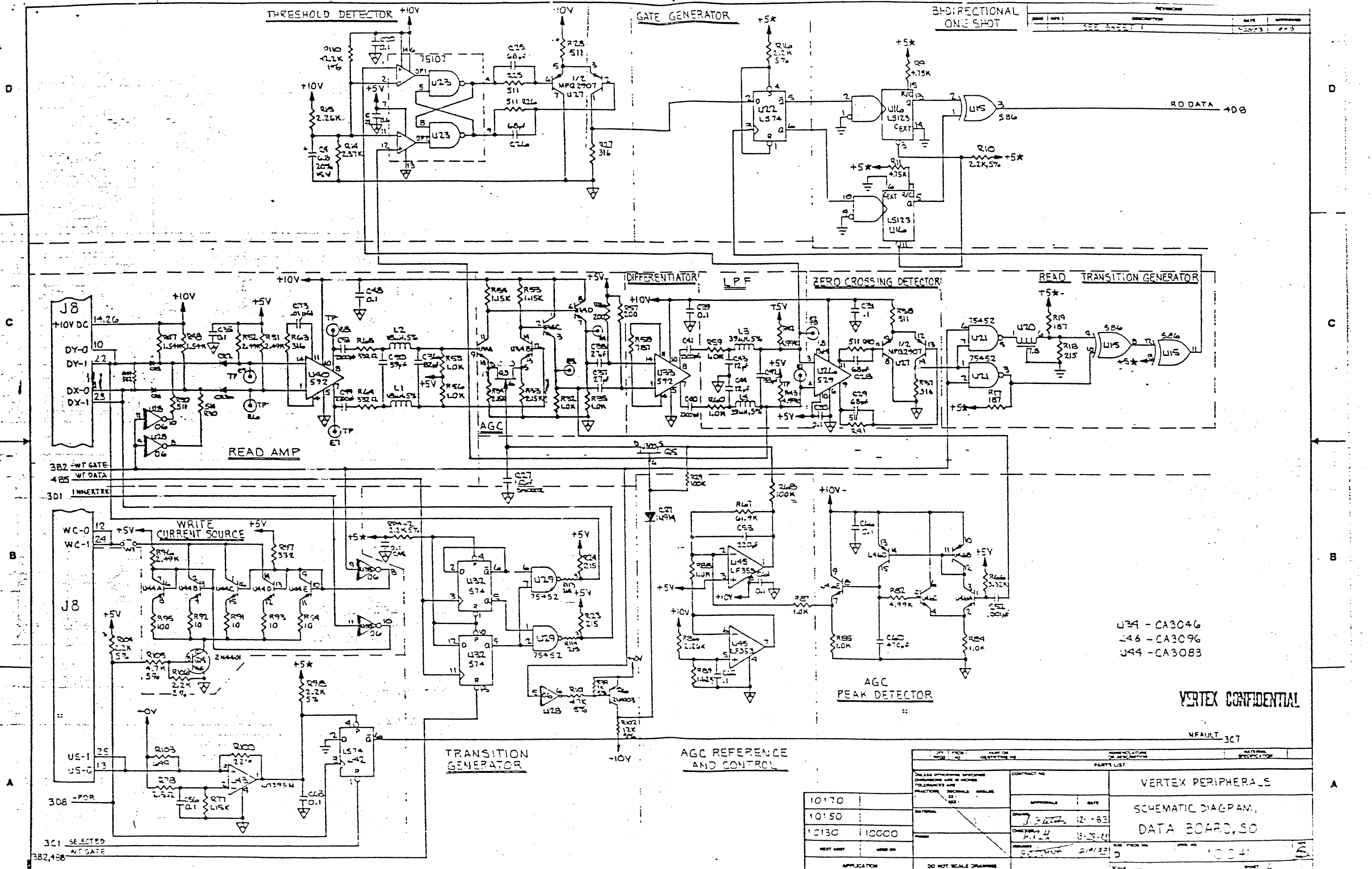


RPI
R1 = 220
R2 = 330

- 7. ALL μ F CAPACITORS ARE $\pm 20\%$ 25V.
 - 6. ALL 5% RESISTORS ARE $\frac{1}{4}$ W.
 - 5. ALL DIODES ARE 1N914.
 - 4. ALL RESISTOR VALUES ARE IN OHMS, $\frac{1}{4}$ W, 1%.
 - 3. ALL CAPACITOR VALUES ARE IN MICROFARADS, 5%, 50 VOLT.
 - 2. SYMBOLS FOR ± 5 VOLTS: +5V (ANALOG); +5* (DIGITAL).
 - 1. SYMBOLS FOR GROUND: \equiv FRAME GND; ∇ ANALOG GND; \perp DIGITAL GND
- NOTES: UNLESS OTHERWISE SPECIFIED.

VERTEX CONFIDENTIAL

REV	DATE	DESCRIPTION	BY	CHKD	APPROVED
1	1-25-83	SCHEMATIC DIAGRAM, DATA BOARD, 50			
2	2-9-83				
3	3-15-83				
4	4-1-83				
5	5-4-83				
6	7-2-83				
7	7-26-83				
8	9-9-83				
9	9-16-83				
10	7-28-83				
11	4-11-84				
12	7-1-84				
13	7-12-84				
14	9-16-84				



REV	DESCRIPTION	DATE	APPROVED
1	SEE SHEET 1	12/23/83	J. J. [Signature]

- U24 - CA3046
- U46 - CA3096
- U44 - CA3083

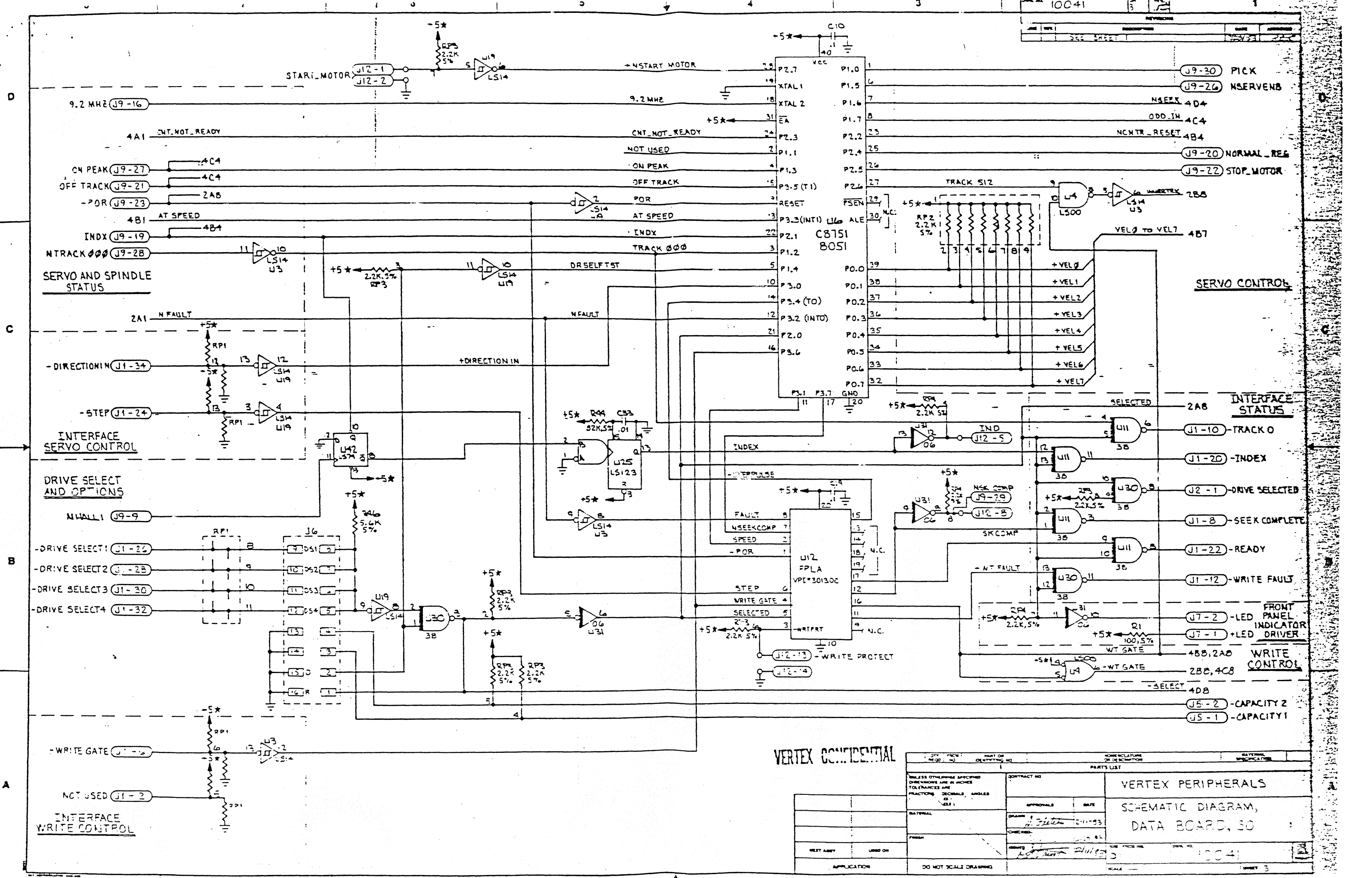
VERTEX CONFIDENTIAL

NFAULT 3C7

PARTS LIST		CONTRACT NO.		MATERIAL STOCKING	
10170					
10150					
10130	10000				
308 -POR					
301 SELECTED					
382,458					
APPLICATION		DO NOT SCALE DRAWING		SCALE	

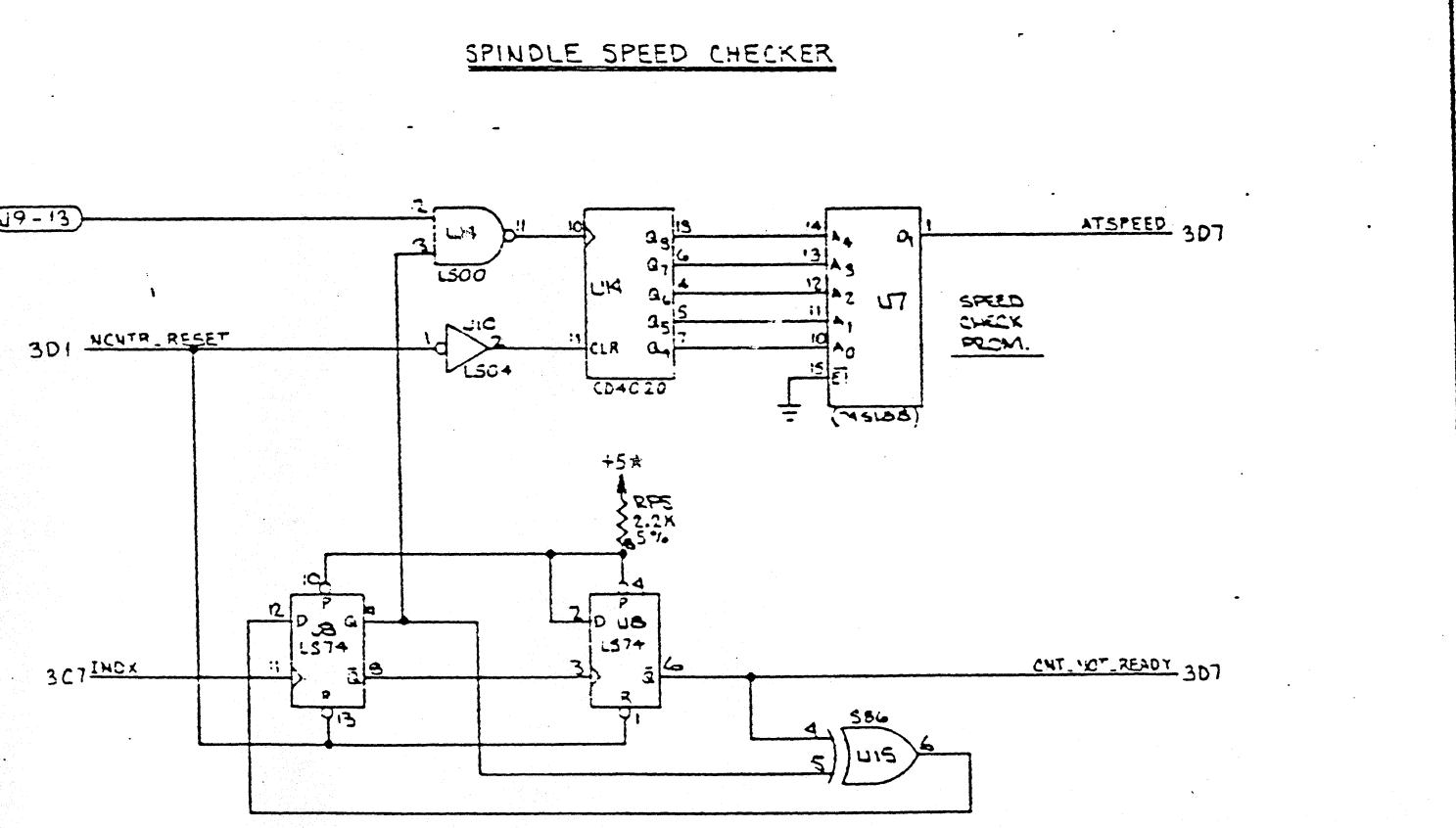
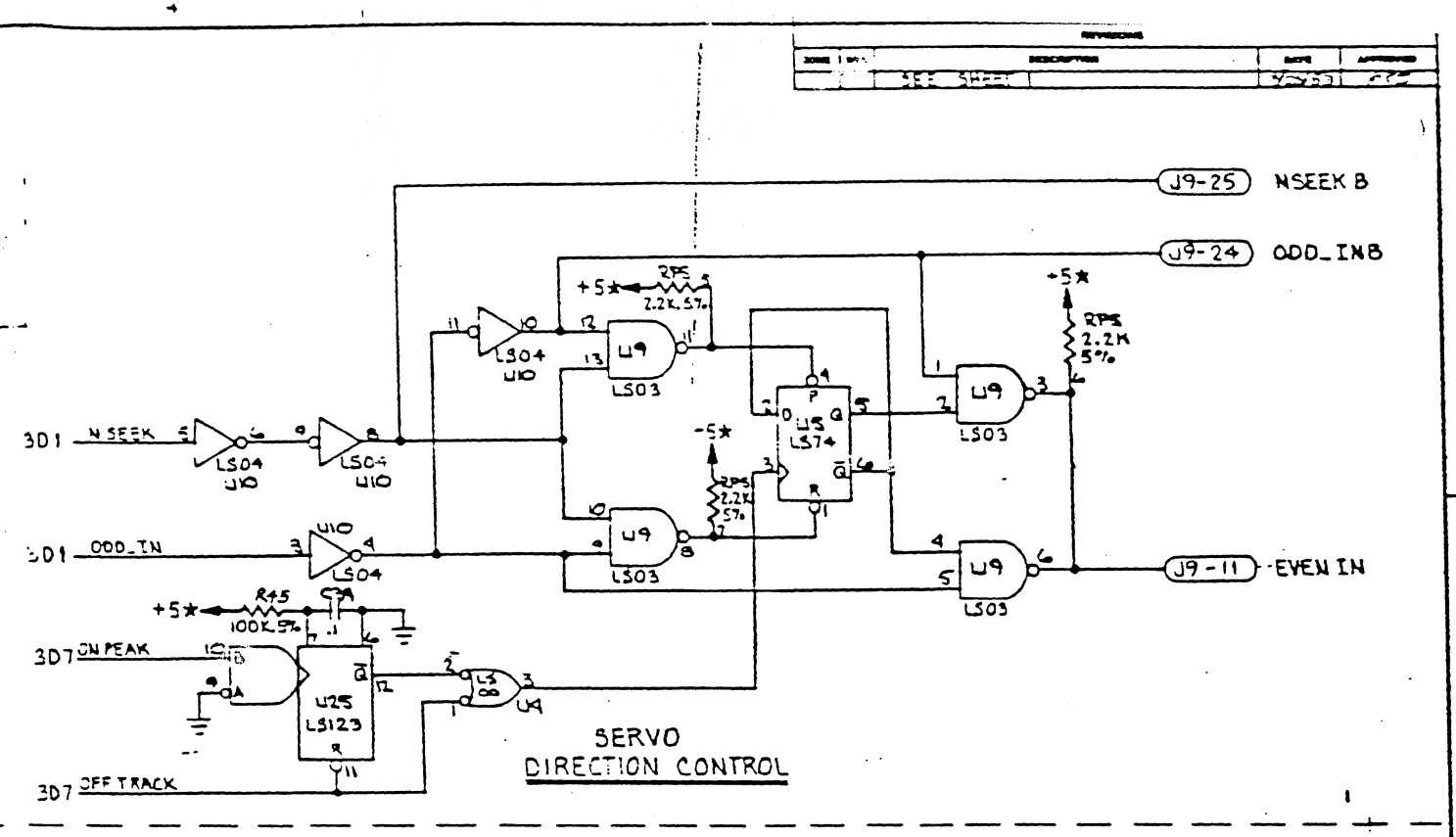
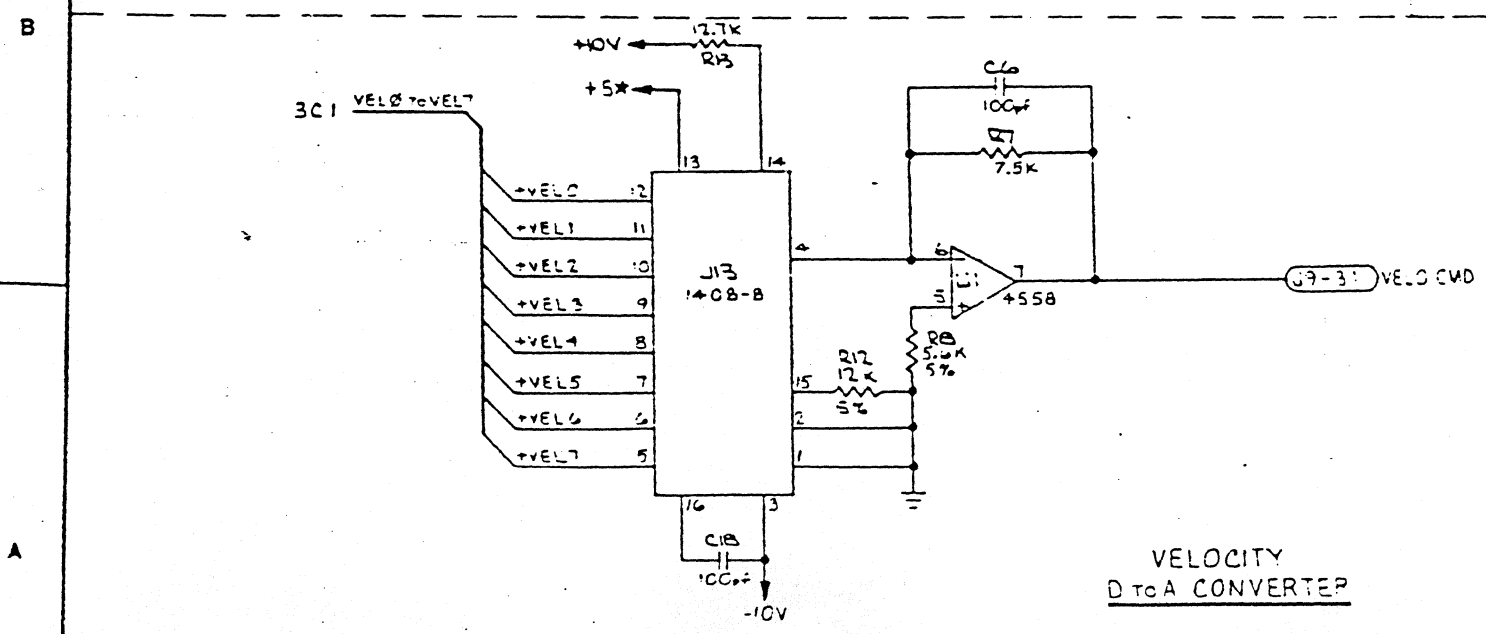
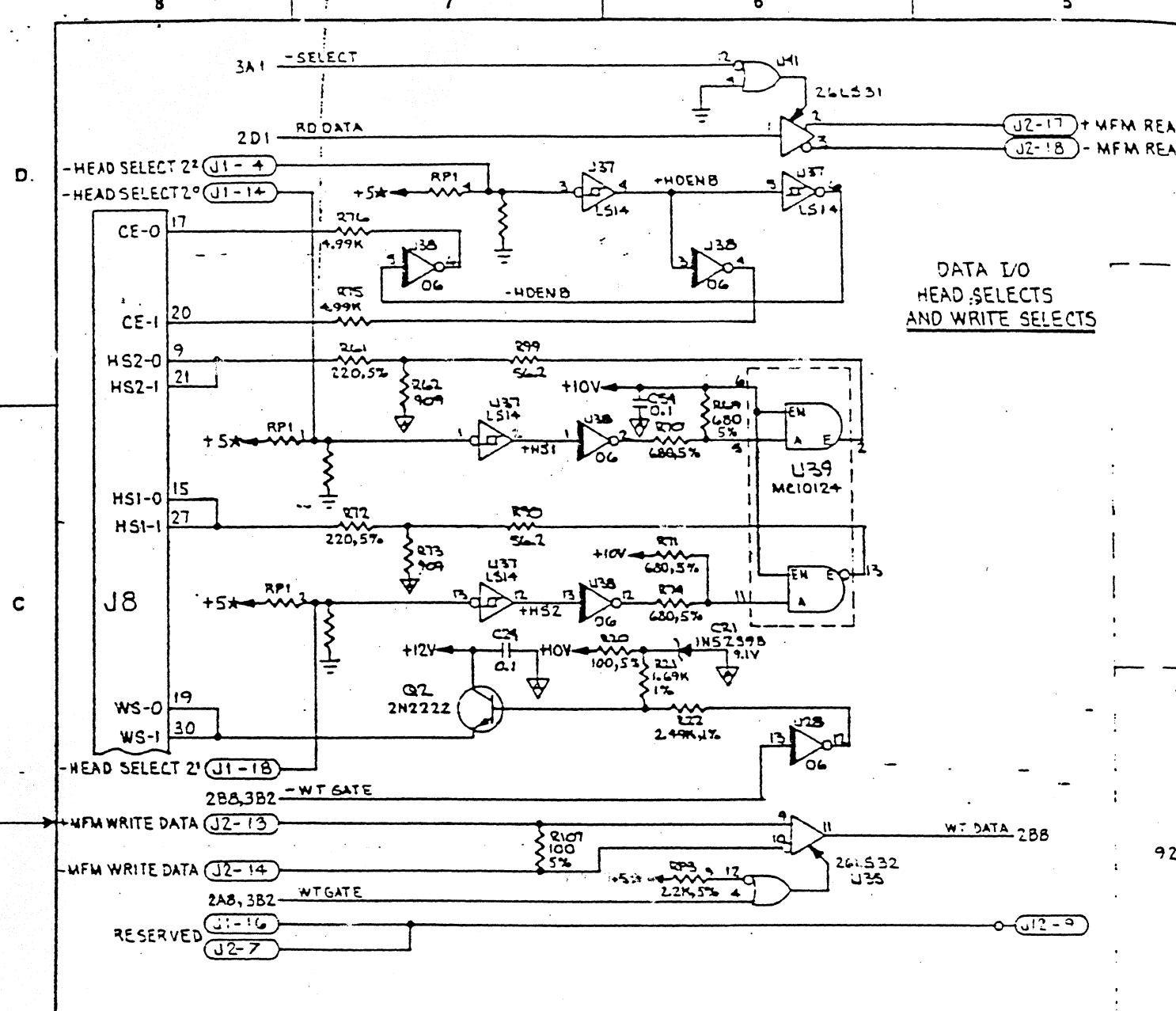
VERTEX PERIPHERALS
SCHEMATIC DIAGRAM,
DATA BOARD, SO

A



VERTEX CONFIDENTIAL

PARTS LIST		CONTRACT NO.		NOMENCLATURE OR DESCRIPTION		MATERIAL SPECIFICATION	
UNLESS OTHERWISE SPECIFIED DIMENSIONS ARE IN INCHES FRACTIONS DECIMALS ANGLES (IN-DEG.)							
MATERIAL				APPROVALS		DATE	
FINISH				DRAWN		2/11/83	
NEXT ASSEMBLY				CHECKED		2/11/83	
USED ON				DESIGNED		2/11/83	
APPLICATION				DO NOT SCALE DRAWING		SCALE	
VERTEX PERIPHERALS						SCHEMATIC DIAGRAM, DATA BOARD, 30	
10041						SHEET 3	



VERTEX CONFIDENTIAL

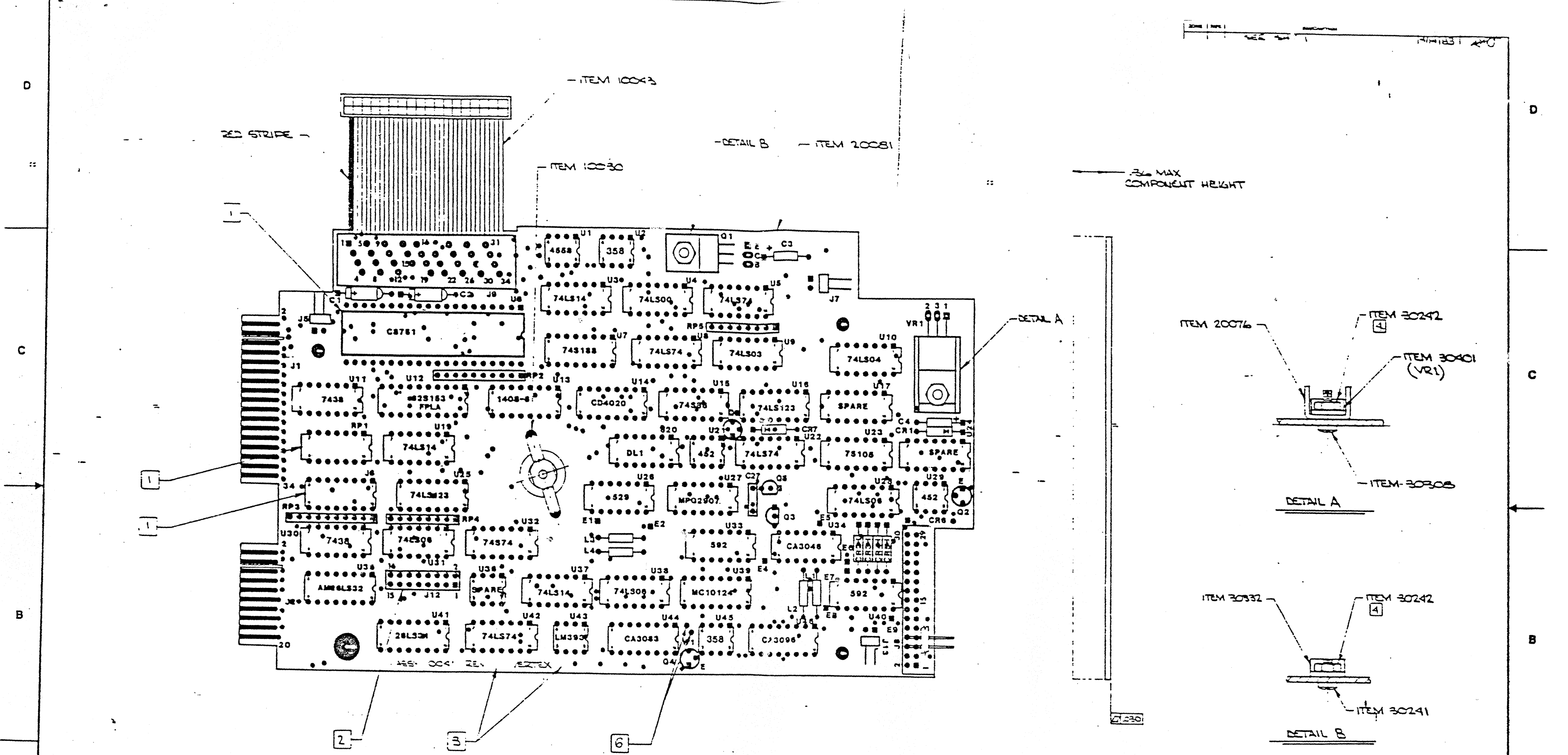
DATE	DESCRIPTION	DATE	APPROVED
2-7-83	112	2-7-83	[Signature]
2-8-83	112	2-8-83	[Signature]
2-10-83	112	2-10-83	[Signature]

CONTRACT NO.	DATE	SCALE
112	2-7-83	100%

VERTEX PERIPHERALS

Schematic Diagram, DATA BOARD, 50

DO NOT SCALE DRAWING



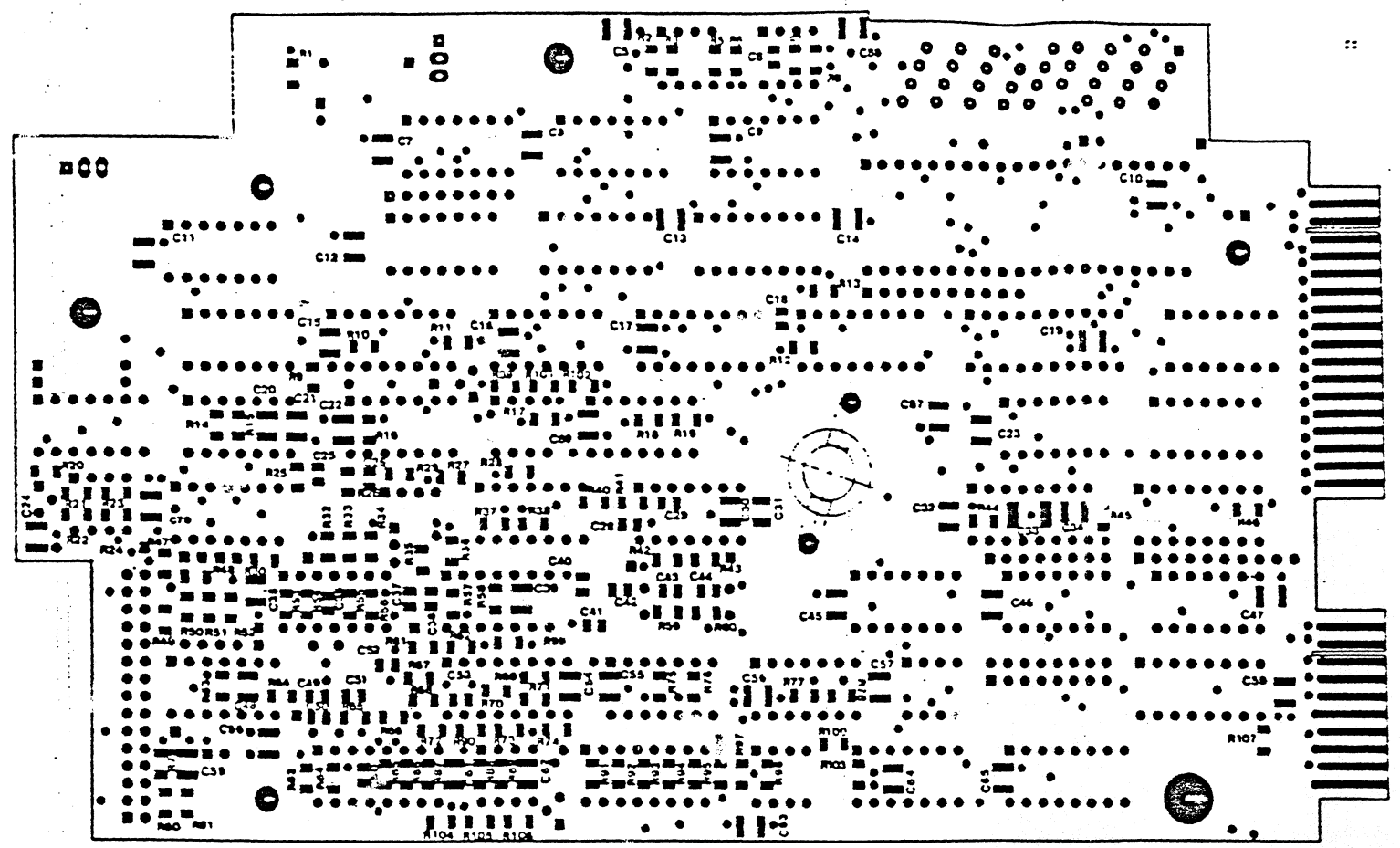
NOTES:

- 1 SOCKET
- 2 J12 IS NOT STUFFED, HOLES NOT TO BE SOLDERED.
- 3 MARK MAX. NO., REV LETTER AND SERIAL NO. IN PERMANENT INK, APPROX. WHERE SHOWN.
- 4 TORQUE TO 4 IN-LBS.
- 5 USE FAB DWG 20081 REV C.
- 6 A RE-WRAP THESE PINS AFTER FINAL TEST IS COMPLETE
- 7 REWORK PER REWORK INSTRUCTIONS (P/U 40025).

VERTEX CONFIDENTIAL

PART OR IDENTIFYING NO.		QUANTITY		REVISIONS		DATE		APPROVALS	
10170									
10150									
10130	10000								
REWORK	USED ON								
APPLICATION		DO NOT SCALE DRAWING		SCALE NONE		SHEET 5		PARTS LIST	
UNLESS OTHERWISE SPECIFIED DIMENSIONS ARE IN INCHES TOLERANCES ARE FRACTIONS DECIMALS ANGLES IN DIA.				CONTRACT NO.		VERTEX PERIPHERALS			
MATERIAL				DRAWN		PCB ASSEMBLY, DATA, S.C.			
FINISH				CHECKED		10041			
NEXT ASSEMBLY				DATE		11/14/82			
DATE				DATE		11/14/82			

DATE	APPROVED
4/14/83	RM



— 0.50 MAX HEIGHT FOR COMPONENTS AND LEADS. (EXCEPT ITEM 30308, SCREW)

VERTEX CONFIDENTIAL

QTY	PCB	PART OR	DESCRIPTION	INTERNAL
REQD	NO	IDENTIFYING	OR	EXTENSION
PARTS LIST				
UNLESS OTHERWISE SPECIFIED DIMENSIONS ARE IN INCHES TOLERANCES ARE: FRACTIONS DECIMALS ANGLES		CONTRACT NO.		VERTEX PERIPHERALS
10170		APPROVALS	DATE	PCB ASSEMBLY, DATA, S.C.
10150		DATE	4/14/83	
10130	10000	CHECKED	4/14/83	
NEXT ASSY	USED ON	DESIGNED	DATE	SCALE: 1/4" = 1"
APPLICATION	DO NOT SCALE DRAWING			10041 S