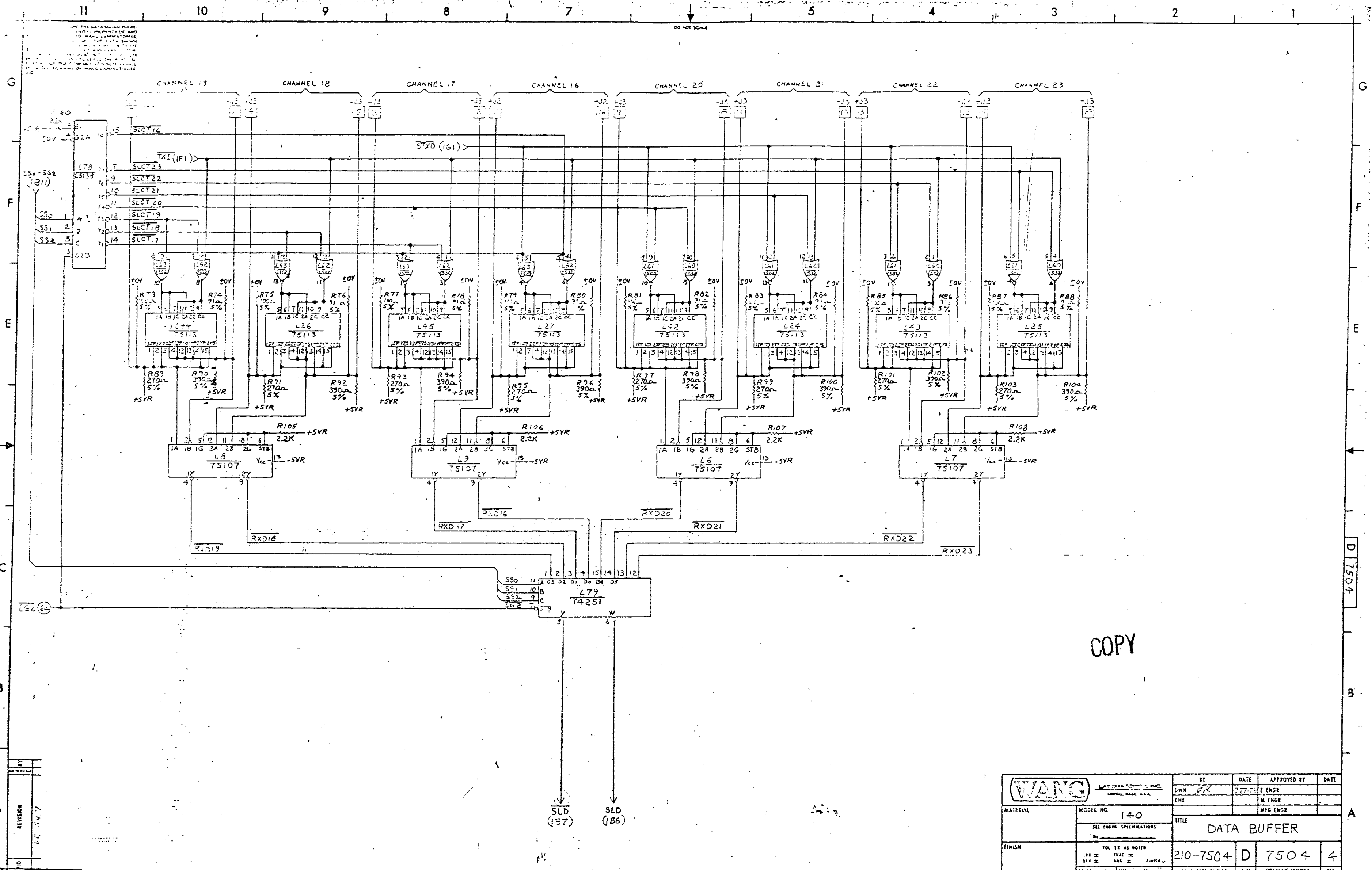


COPY

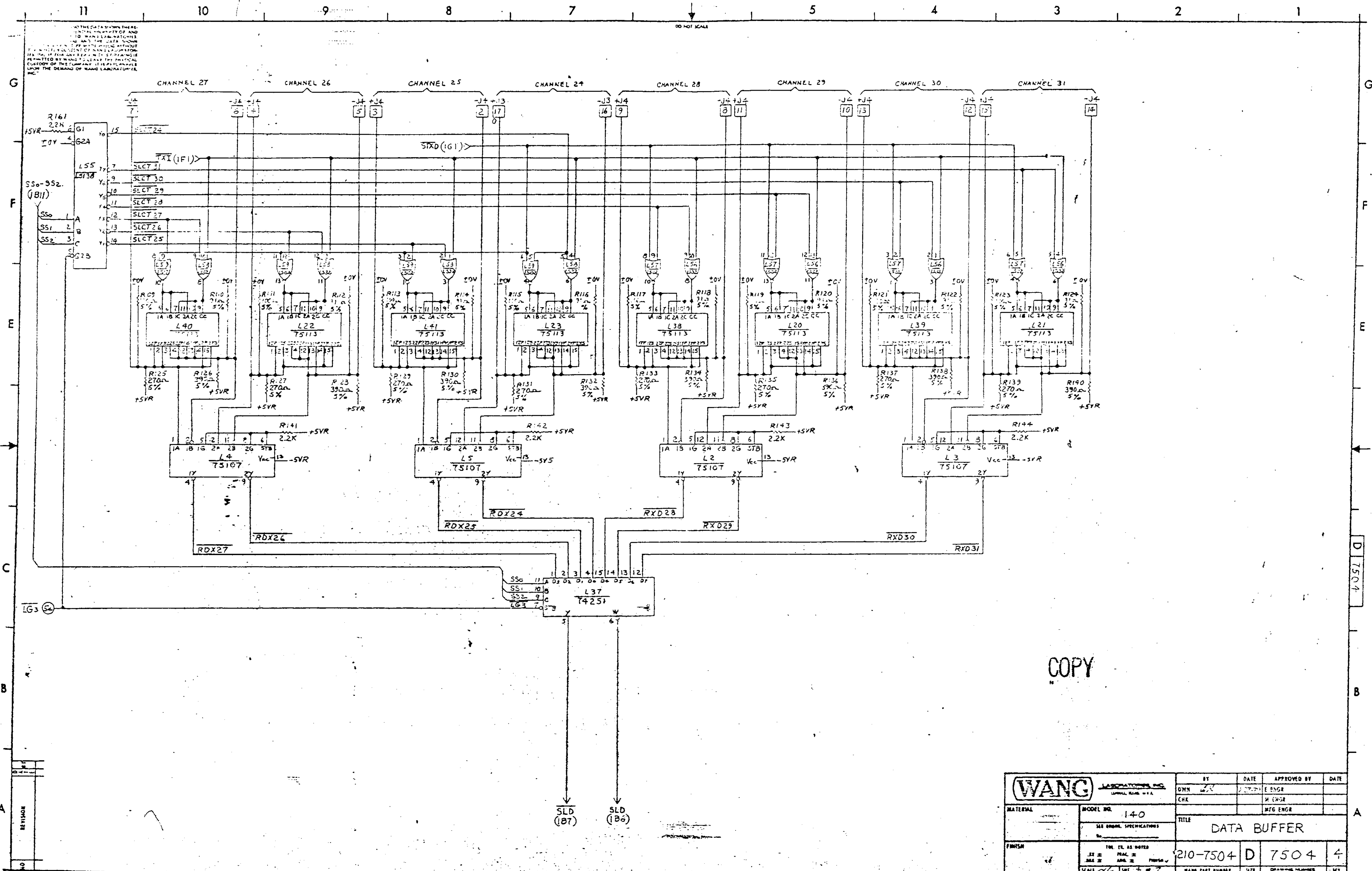
| | | | | | |
|--|--|------------------------|---------|-------------|------|
| WANG LABORATORIES INC. CONCORD, MASS. U.S.A. | | BY | DATE | APPROVED BY | DATE |
| | | DWM | 1-27-71 | E ENGR | |
| MODEL NO. 140 SEE ENGR. SPECIFICATIONS | | CHE | | M ENGR | |
| | | | | MFG ENGR | |
| TITLE | | DATA BUFFER | | | |
| PART NO. | | 210-7504 D | | 7504 4 | |
| SCALE | | 1/16" = 1" (1/8" = 1") | | | |
| DRAWING NUMBER | | 7504 | | | |



COPY

| NO. | REVISION |
|-----|----------|
| 1 | CC 11/7 |

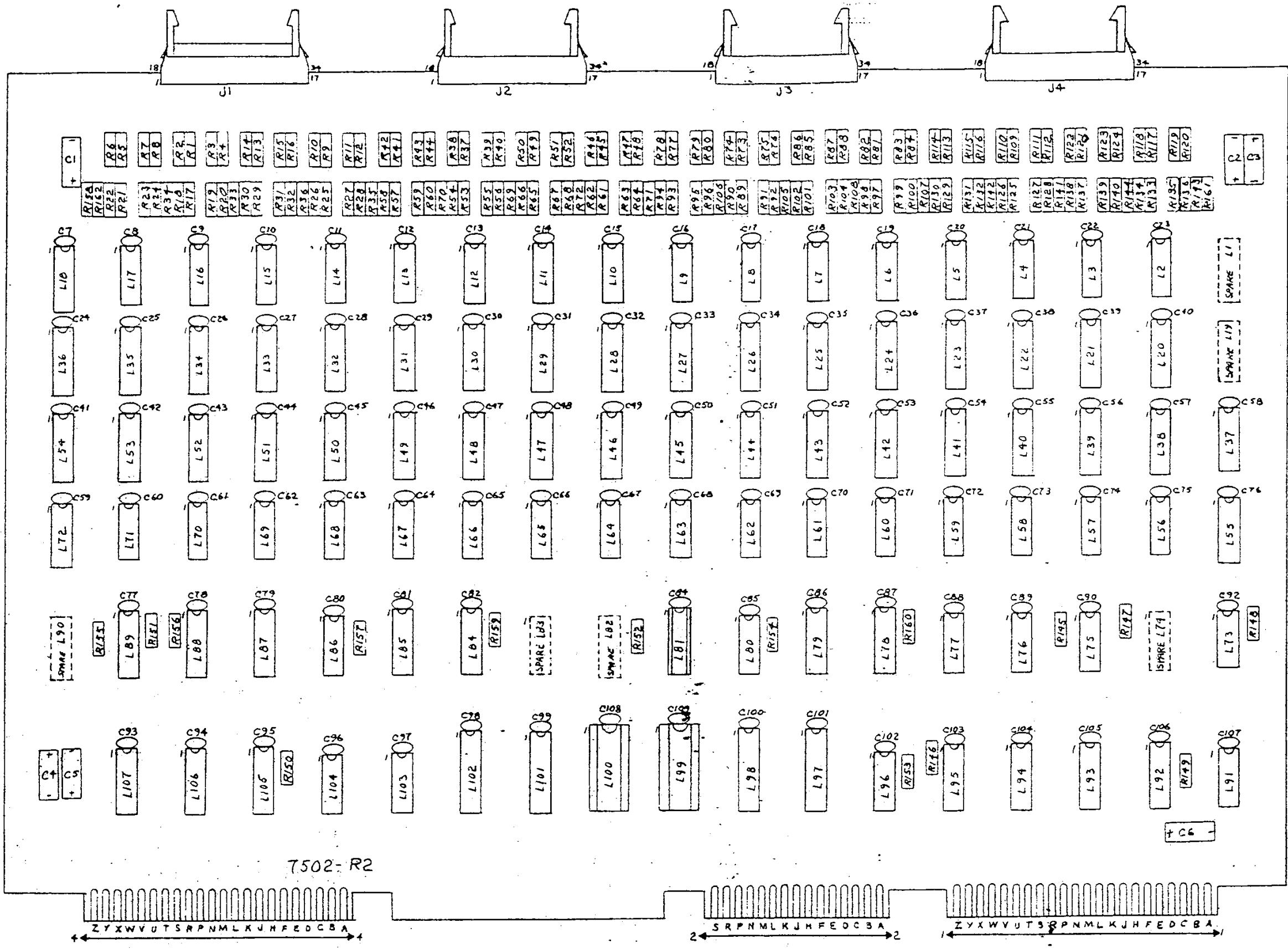
| | | | | |
|-------------------------------|--|--------------|-------------|------|
| WANG | | DATE | APPROVED BY | DATE |
| MODEL NO. 140 | | DATE 2-27-73 | E ENGR | |
| SEE DIMENSIONS SPECIFICATIONS | | | M ENGR | |
| TITLE | | | MFG ENGR | |
| 210-7504 | | D | 7504 | 4 |
| SCALE | | UNIT | OF | |



| | | | | | |
|---|--|----------------------|---------|-------------|----------------|
| WANG LABORATORIES INC. LITTLE ROCK, ARK. U.S.A. | | BY | DATE | APPROVED BY | DATE |
| MODEL NO. 140 | | OWN | 2/27/71 | E ENGR | |
| MATERIAL | | CHK | | M ENGR | |
| MFG ENGR | | TITLE DATA BUFFER | | | |
| FINISH | | TOE (E. AS NOTED) | | 210-7504 D | 7504 4 |
| SCALE 1/8" = 1" | | MFG PART NUMBER | | SIZE | DRAWING NUMBER |

THIS DRAWING AND THE DATA SHOWN THEREON ARE THE CONFIDENTIAL PROPERTY OF, AND ARE PROPRIETARY TO, WANG LABORATORIES, INC. THIS DRAWING AND THE DATA SHOWN THEREON MAY NOT BE MADE PUBLIC WITHOUT THE WRITTEN CONSENT OF WANG LABORATORIES, INC. IF FOR ANY REASON THIS DRAWING IS FURNISHED BY WANG TO LEAVE THE PHYSICAL CUSTODY OF THE COMPANY, IT IS RETURNABLE UPON THE DEMAND OF WANG LABORATORIES, INC.

DO NOT SCALE



COMPONENT LAYOUT

COPY

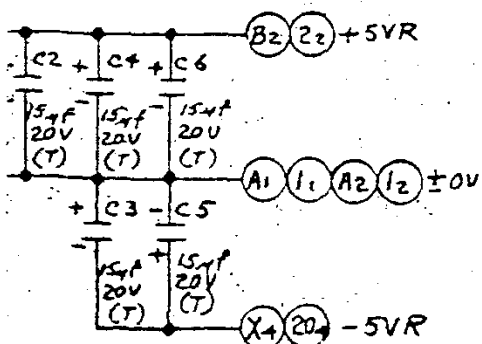
| NO. | REVISION |
|-----|----------|
| | |
| | |

| | | | | | |
|--|--|--------------------|---------------|---------------------|-------|
| WANG LABORATORIES, INC. LOWELL, MASS. U.S.A. | | BY: DWN | DATE: 7-27-79 | APPROVED BY: E ENGR | DATE: |
| MATERIAL: | | CHK: | | M ENGR: | |
| MODEL NO. 140 | | TITLE: DATA BUFFER | | | |
| FINISH: | | 210-7504 D | | 7504 | 4 |
| SCALE: 1/8" = 1" | | SHEET 6 OF 7 | | WANG PART NUMBER: | SIZE: |

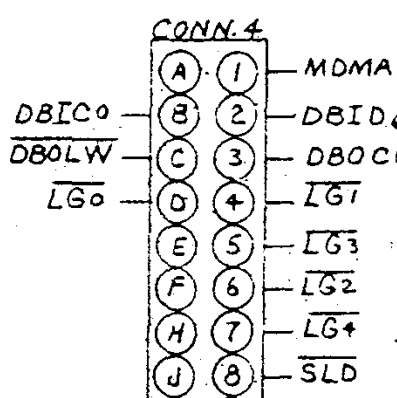
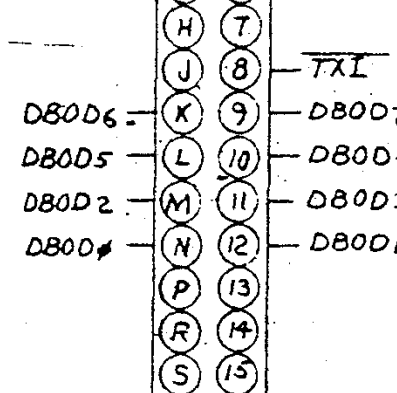
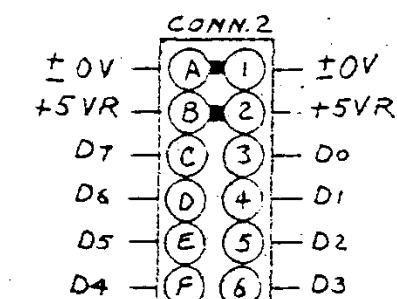
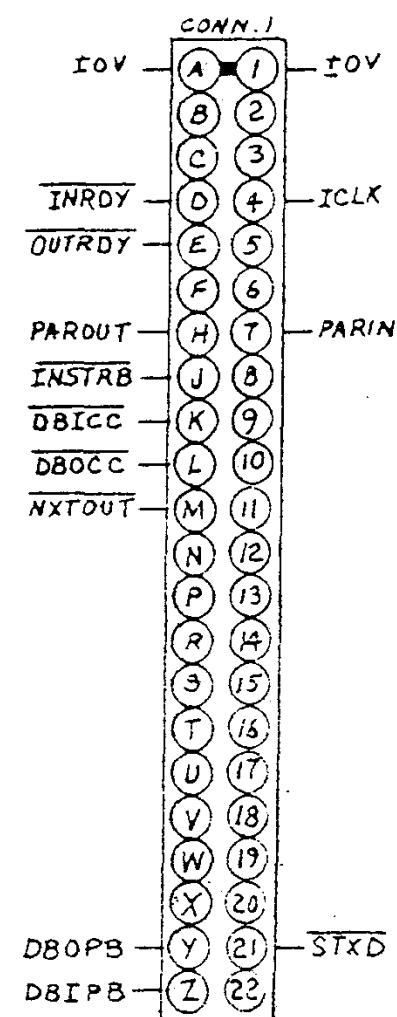
DO NOT SCALE

| LOCATION | W.L. PART NO. | TYPE |
|----------------------|---------------|---------|
| L2-17 | 376-0146 | 75107 |
| 3,37,54,73,85 | 376-0272 | 74251 |
| 0-35,38-53 | 376-0256 | 75113 |
| 6,55,72,78,84 | 376-0294 | 74LS138 |
| 6,58,60,62,64,68,70 | 376-0211 | 74LS32 |
| 17,59,61,63,65,69,71 | 376-0208 | 74LS02 |
| 3,76,96 | 376-0202 | 74574 |
| 75,86 | 376-0197 | 74504 |
| 77 | 376-0225 | 74LS11 |
| 81 | 377-0363 | 2102-A2 |
| 17,105 | 376-0082 | 74157 |
| 8,89,106,107 | 376-0233 | 74LS161 |
| 91 | 376-0010 | 7404 |
| 12,104,80 | 376-0155 | 74LS74 |
| 13 | 376-0247 | 74S174 |
| 14 | 376-0228 | 74500 |
| 15 | 376-0184 | 74S51 |
| 17,98,101,102 | 376-0286 | 74LS374 |
| 19,100 | 377-0364 | 2101A-2 |
| 03 | 376-0324 | 74125 |
| 19,74,82,83,90 | SPARES | |

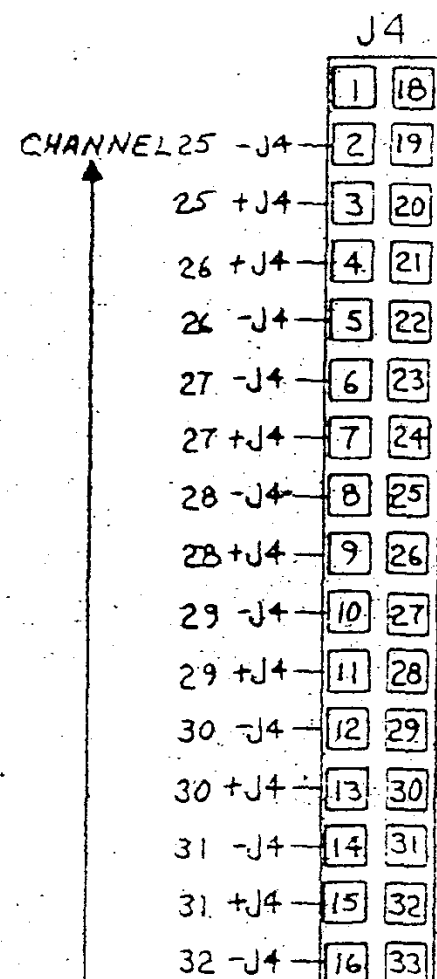
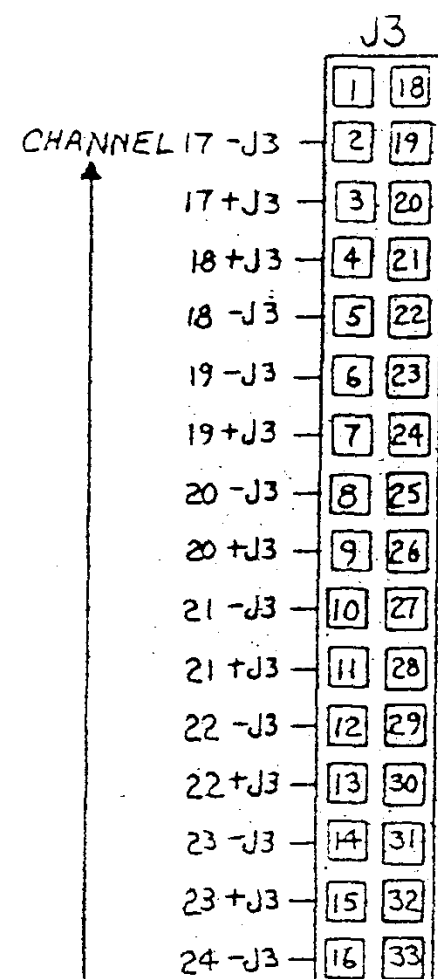
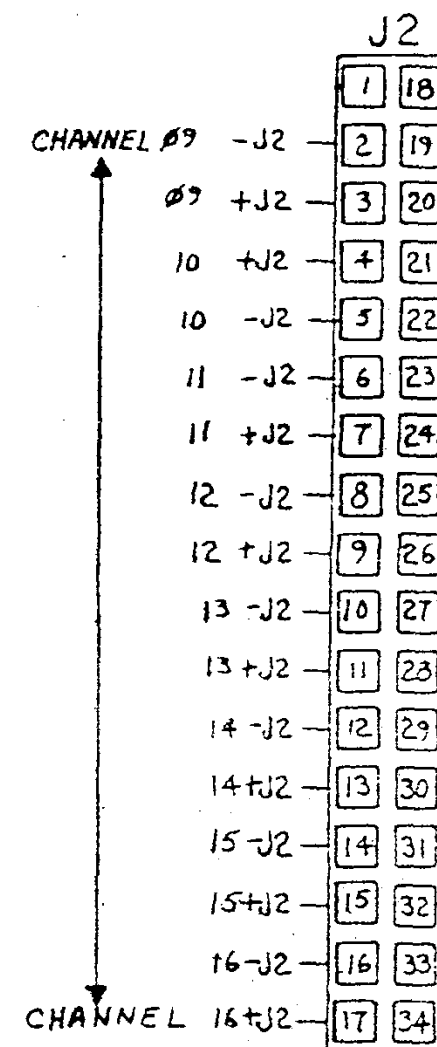
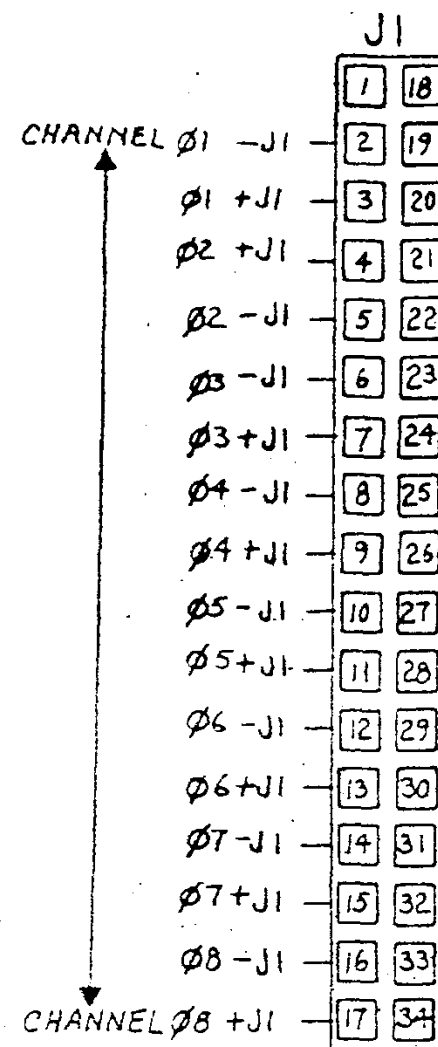
| LOCATION | TYPE | SPARES |
|----------|-------|--------|
| L75 | 74504 | 1 |
| L86 | 74504 | 4 |
| L91 | 7404 | 2 |
| L94 | 74500 | 3 |



| MNEMONIC | COORDINATE |
|-------------|------------|
| D0-D7 | 5B2 |
| DBICC | 5C11 |
| DBICO | 5A7 |
| DBID0-DBID7 | 5E1 |
| DBOCC | 5C11 |
| DBOCO | 5A8 |
| DBOD0-DBOD7 | 5A5 |
| DBOLW | 5A9 |
| DBOPB | 5A3 |
| DPIPB | 5F1 |
| ICLK | 5G11 |
| INRDY | 5F1 |
| INSTRB | 5F11 |
| LG0 | 1F11 |
| LG1 | 2C11 |
| LG2 | 3C11 |
| LG3 | 4C11 |
| LG+ | 1B11 |
| MMWRS | 5G1 |
| MDMARS | 5G3 |
| MR | 5D11 |
| NXTOUT | 5E11 |
| OUTRDY | 5A10 |
| PARIN | 5G4 |
| PAROUT | 5C1 |
| RFMME | 5G4 |
| SLCT00 | 1A11 |
| SLCT32 | 1A10 |
| SLD | 1A7 |
| SS0-SS2 | 1F11 |
| STXD | 1G7 |
| TXI | 1G10 |
| WTMME | 5C1 |



INTERNAL TERMINAL DESIGNATIONS, VIEW FROM THE BOTTOM (WIRING) SIDE OF CONNECTOR



D 7504