

WANG

PROFESSIONAL COMPUTER SCHEMATICS

COMPANY PROPRIETARY STATEMENT

This document is the property of Wang Laboratories, Inc. All information contained herein is considered Company Proprietary, and its use is restricted solely to assisting you in servicing Wang products. Neither this document nor its contents may be disclosed, copied, revealed, or used in whole or in part for any other purpose without the prior written permission of Wang Laboratories, Inc. This document must be returned upon request of Wang Laboratories, Inc.

PREFACE

This document contains schematics for the Wang Professional Computer. It is used in conjunction with the Wang Professional Computer Standard Maintenance Manual (document no. 741-1190) and is organized in accordance with the approved STD outline established at the Field/Home Office Publications meeting conducted on September 14th and 15th, 1982. The scope of these manuals reflect the type of maintenance philosophy selected for this product (swap unit, printed circuit assembly, chip level or any combination thereof).

The purpose of the Standard Maintenance Manual and this Schematics Manual is to provide the Wang-trained Customer Engineer (CE) with instructions to operate, troubleshoot and repair the Wang Professional Computer. This manual will be updated on a regular schedule.

First Edition (October 1984)

The material in this document may only be used for the purpose stated in the Preface above. Updates and/or changes to this document will be published as Publications Update Bulletins (PUB's) or subsequent editions.

© Copyright WANG Labs., Inc. 1982, 1983, 1984

CUSTOMER ENGINEERING

PUBLICATION UPDATE BULLETIN

DATE: 11/06/84

This PUB: 741-1241-1 (Professional Computer Schematic Manual Update)

Class Code: 8101

Base Document: 741-1241

Previous Notice(s):None

REASON FOR CHANGE:

This PUB contains schematics pertaining to the IBM Monochrome Emulator Option Board (PC-PM101).

INSTRUCTIONS:

Remove pages and insert attached pages as follows:

	REMOVE	INSERT
1.	iii/Blank	iii/Blank
2.		QQ1/QQ2 - QQ11/Blank
3.		
4.		
5.		
6.		
7.		
8.		
9.		
10.		

This page is to be used as a permanent record of revisions; place it directly following the title page.

WANG

LABORATORIES, INC

ONE INDUSTRIAL AVENUE, LOWELL, MASSACHUSETTS 01851. TEL (617) 459 5000. TWX 710 343-6769. TELEX 94-7421

PRINTED IN U.S.A.

Proprietary Notice

This document is the property of Wang Laboratories, Inc. Information contained herein is considered company proprietary information and its use is restricted solely to the purpose of assisting you in servicing Wang products. Reproduction of all or any part of this document is prohibited without the prior consent of Wang Laboratories.

© Copyright Wang Labs, Inc. 1984

PUBLICATION UPDATE BULLETIN

DATE: 01/22/85

This PUB: 741-1241-2 Professional Computer Schematics Manual

Class Code: 8101

Base Document: 741-1241

Previous Notice(s):741-1241-1

REASON FOR CHANGE:

This PUB contains schematics for the Single Board Local Communication option PC-PM141.

INSTRUCTIONS:

Remove pages and insert attached pages as follows:

	REMOVE	INSERT
1.	Title Page/ii	Title Page/ii
2.	iii/Blank	iii/Blank
3.		RR1/2 - RR7/Blank
4.		
5.		
6.		
7.		
8.		
9.		
10.		

This page is to be used as a permanent record of revisions; place it directly following the title page.

WANG

LABORATORIES, INC

ONE INDUSTRIAL AVENUE LOWELL MASSACHUSETTS 01851 TEL (617) 459 5000 TWX 710 343-6769. TELEX 94 7421

PRINTED IN U.S.A.

COMPANY PROPRIETARY STATEMENT

This document is the property of Wang Laboratories, Inc. All information contained herein is considered Company Proprietary, and its use is restricted solely to assisting you in servicing Wang products. Neither this document nor its contents may be disclosed, copied, revealed, or used in whole or in part for any other purpose without the prior written permission of Wang Laboratories, Inc. This document must be returned upon request of Wang Laboratories, Inc.

CUSTOMER ENGINEERING

PUBLICATION UPDATE BULLETIN

DATE: 08/23/85

This PUB: **741-1241-3**

Class Code: 8101

Base Document: 741-1241

Previous Notice(s):741-1241-1, 741-1241-2

REASON FOR CHANGE:

This PUB includes schematics for the Winchester Controller-2 (9025), Combination Medium Resolution/Graphics Controller (9543), and Prefetch Monitor (9722).

INSTRUCTIONS:

Remove pages and insert attached pages as follows:

	REMOVE	INSERT
1.	iii/Blank	iii/Blank
2.		SS1/SS2 - SS7/Blank
3.		TT1/TT2 - TT7/TT8
4.		UU1/UU2 - UU5/Blank
5.		
6.		
7.		
8.		
9.		
10.		

This page constitutes a permanent record of revisions; place it directly following title page.



LABORATORIES INC

ONE INDUSTRIAL AVENUE LOWELL MASSACHUSETTS 01851 TEL (617) 459 5000 TWX 710 343 6769 TELEX 94 7421

741-1241-3

COMPANY CONFIDENTIAL

PRINTED IN U.S.A.

COMPANY PROPRIETARY STATEMENT

This document is the property of Wang Laboratories, Inc. All information contained herein is considered Company Proprietary, and its use is restricted solely to assisting you in servicing Wang products. Neither this document nor its contents may be disclosed, copied, revealed, or used in whole or in part for any other purpose without the prior written permission of Wang Laboratories, Inc. This document must be returned upon request of Wang Laboratories, Inc.

PUBLICATION UPDATE BULLETIN

TITLE: Professional Computer Schematic Manual

DATE: 04/25/85

This PUB affects: 741-1241
742-1241

CLASS CODE: 8101

Previous Notices: 741-1241-1, 741-1241-2, 741-1241-3

REASON FOR CHANGE:

This PUB contains schematics pertaining to the PC-TMX Telephone Message Exchange Option

INSTRUCTIONS:

Remove and insert attached pages and/or microfiche as follows:

	REMOVE PAGES	INSERT PAGES
1.	iii/Blank	iii/Blank
2.	Nothing	VV1 Through VV7
3.	Nothing	WW1 Through WW3
4.		
5.		
6.		
7.		
8.		
9.		
10.		

	REMOVE FICHE	INSERT FICHE
1.	1	1
2.	6	6
3.		
4.		

This page constitutes a permanent record of revisions; place it directly following title page.



LABORATORIES INC

ONE INDUSTRIAL AVENUE LOWELL MASSACHUSETTS 01851 TEL (617) 459 5000 TWX 710 343 6769 TELEX 94 7421

COMPANY PROPRIETARY STATEMENT

This document is the property of Wang Laboratories, Inc. All information contained herein is considered Company Proprietary, and its use is restricted solely to assisting you in servicing Wang products. Neither this document nor its contents may be disclosed, copied, revealed, or used in whole or in part for any other purpose without the prior written permission of Wang Laboratories, Inc. This document must be returned upon request of Wang Laboratories, Inc.

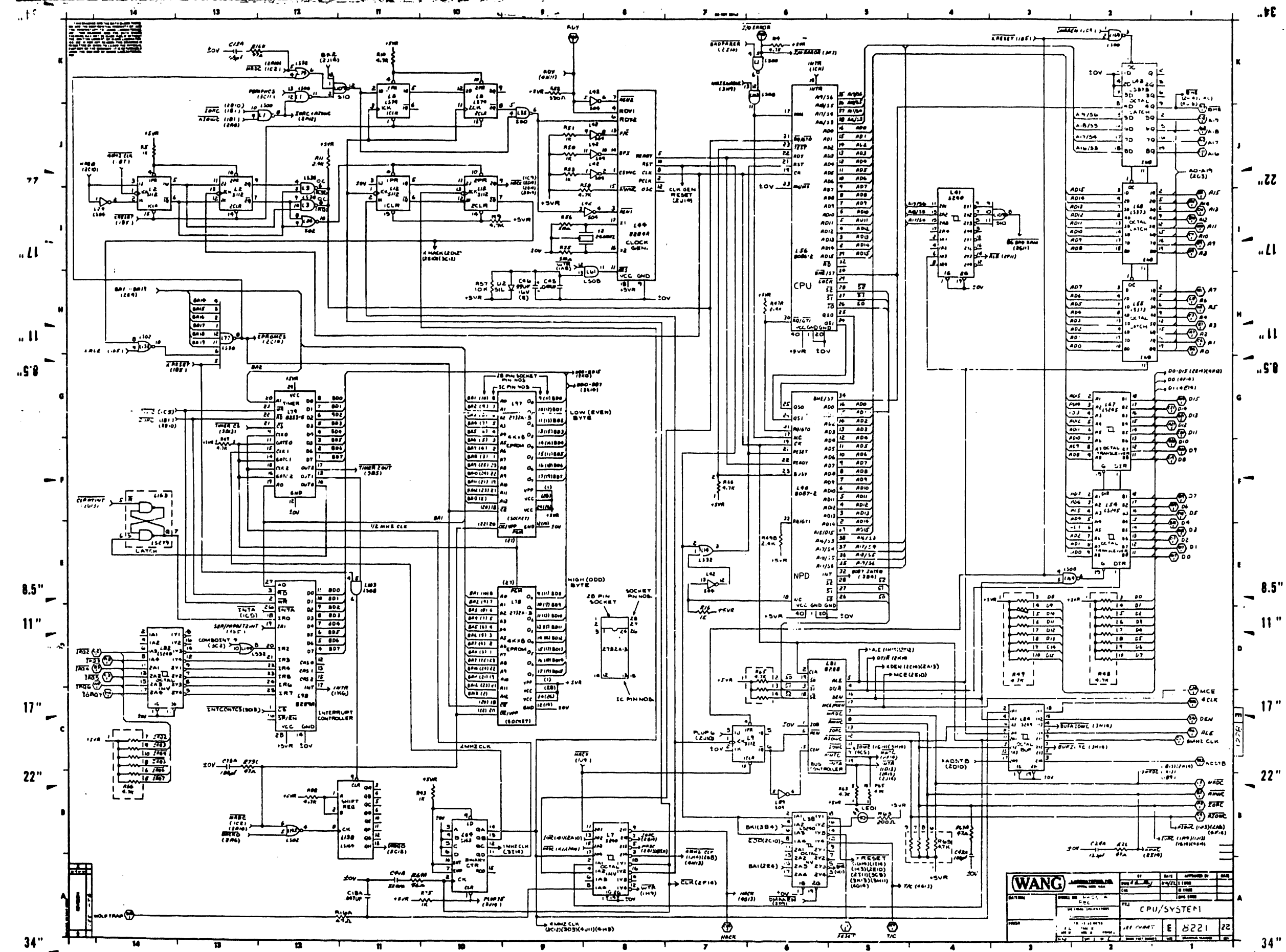
© Copyright 1986, Wang Laboratories, Inc.

COMPANY CONFIDENTIAL

TABLE OF CONTENTS

<u>DRAWING</u>	<u>TITLE</u>	<u>REV</u>	<u>PAGE</u>
8221	CPU/System Board		22
8222	Low Resolution Controller		18
8225	10 Mbyte Winchester Controller		13
8232	Remote Telecommunications Controller		15
8233	Medium Resolution Graphics Generator		7
8237	Motherboard (5-slot)		4
8242	Expanded Memory Board		4
8243	Medium Resolution Character Generator		6
8244	Monitor Board		12
8245	Local Communications Datalink Board		6
8246	Local Communications CPU Board		5
8248	Z80 Option Board		2
8251	Multiport Communications Controller		5
8252	Remote TC Controller X.21		3
8257	Motherboard Expanded Chassis		2
8289	Local Interconnect Card		6
8290	Text/Image Controller		11
8291	Scanner/Printer Controller		8
8292	Local Interconnect Repeater Card		3
8332	PC Wangnet Interconnect		0
8343	Medium Resolution Character Generator		11
8344	Monitor Board		7
8394	Half Page Monitor Board		5
9221	CPU/System Board		7
9222	Low Resolution Controller		9
9225	10 Mbyte Winchester Controller		6
9232	Remote Telecommunications Controller		2
9233	Medium Resolution Graphics Generator		2
9237	Motherboard		2
9242	Expanded Memory Board		3
9246	Local Communications CPU Board		4
9248	Z80 Option Board		2
9252	Remote TC Controller X.21		2
9256	WPC78-2 Emulation Board		0
9257	Motherboard Expanded Chassis		1
9322	Low Resolution Color Monitor Controller		1
9521	256K CPU/System Board		2
725-2786	Low-Profile Keyboard		2
9433	IBM Monochrome Emulator		1
8310	Single Board Local Communications Option		0
9025	Winchester Controller-2		3
9543	Combination Medium Res/Graphics Controller		2
9722	Prefetch Monitor		0
8487	Programmable Signal Processor (PSP)		4
8615	Voice Attachment Unit (VA-302)		0

The schematics contained in this manual are the latest revisions available at the time of printing.



WANG		REV	DATE	APPROVED BY	CHK
DATE	DESIGNED BY	CHK	DATE	DATE	DATE
CPU/SYSTEM 1		REV	DATE	APPROVED BY	CHK
DATE	DESIGNED BY	CHK	DATE	DATE	DATE
E 8221		REV	DATE	APPROVED BY	CHK
DATE	DESIGNED BY	CHK	DATE	DATE	DATE

34"

77"

11"

17"

22"

8.5"

11"

17"

22"

34"

34"

22"

17"

11"

8.5"

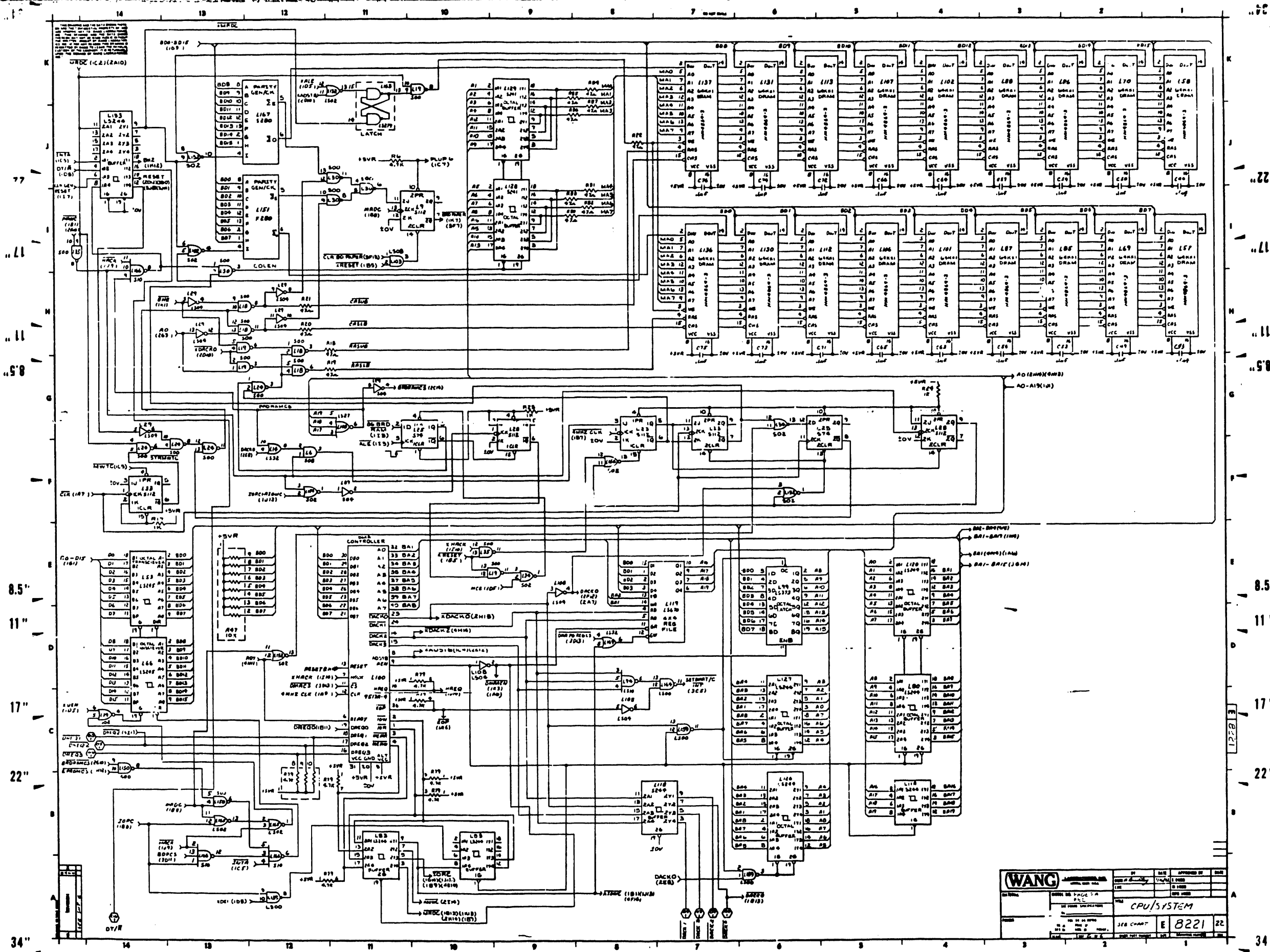
11"

17"

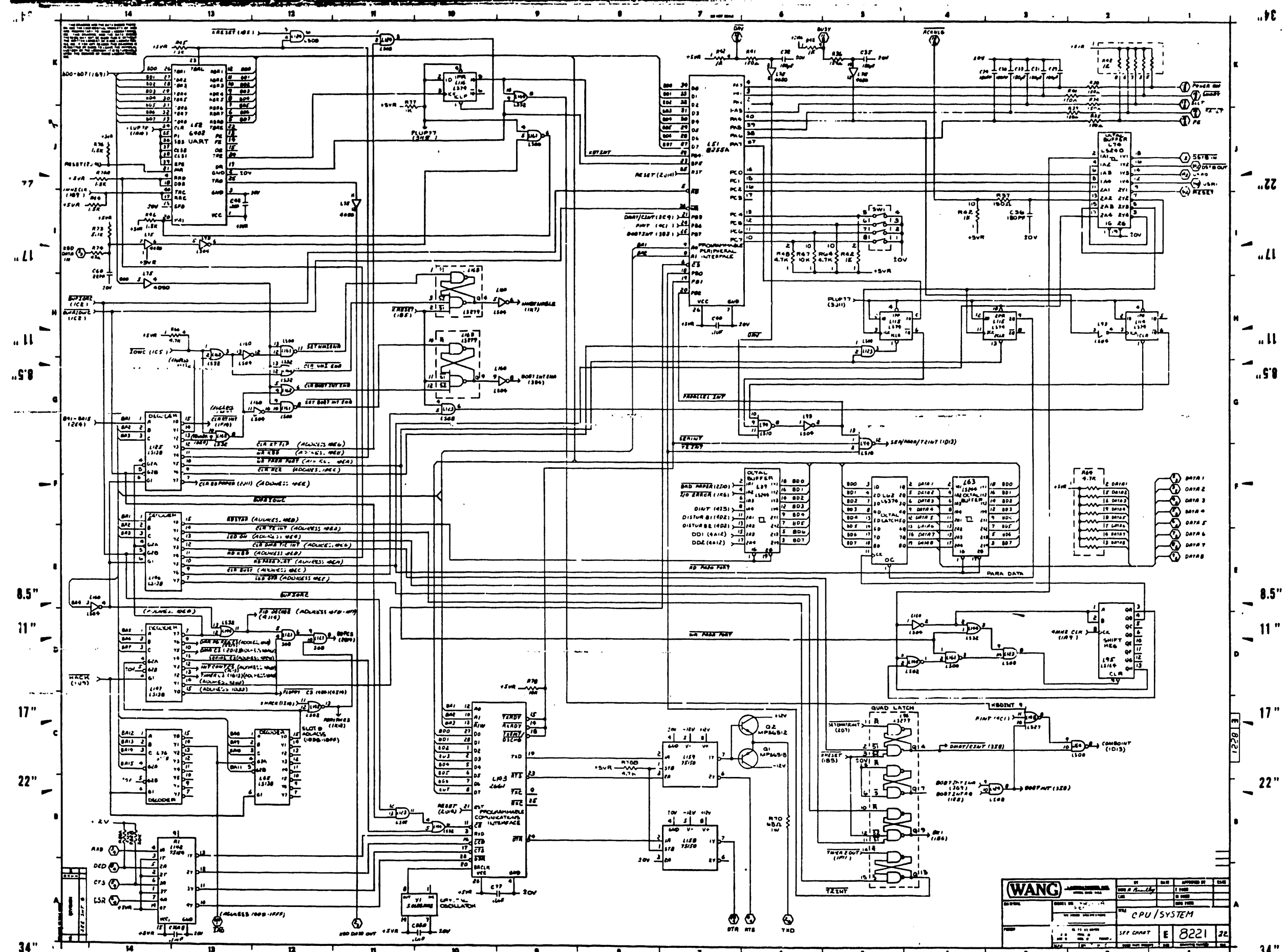
22"

34"

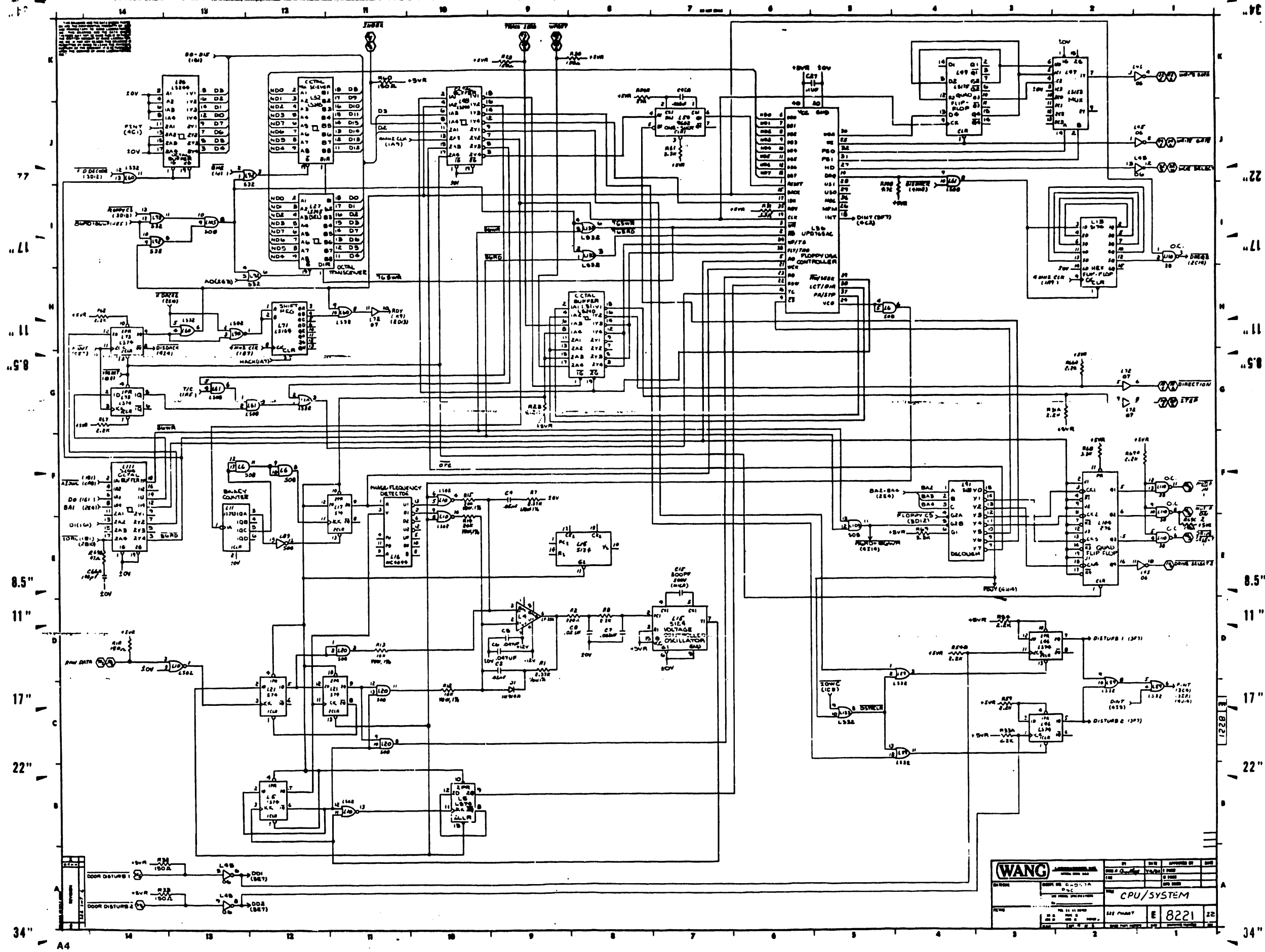
A1



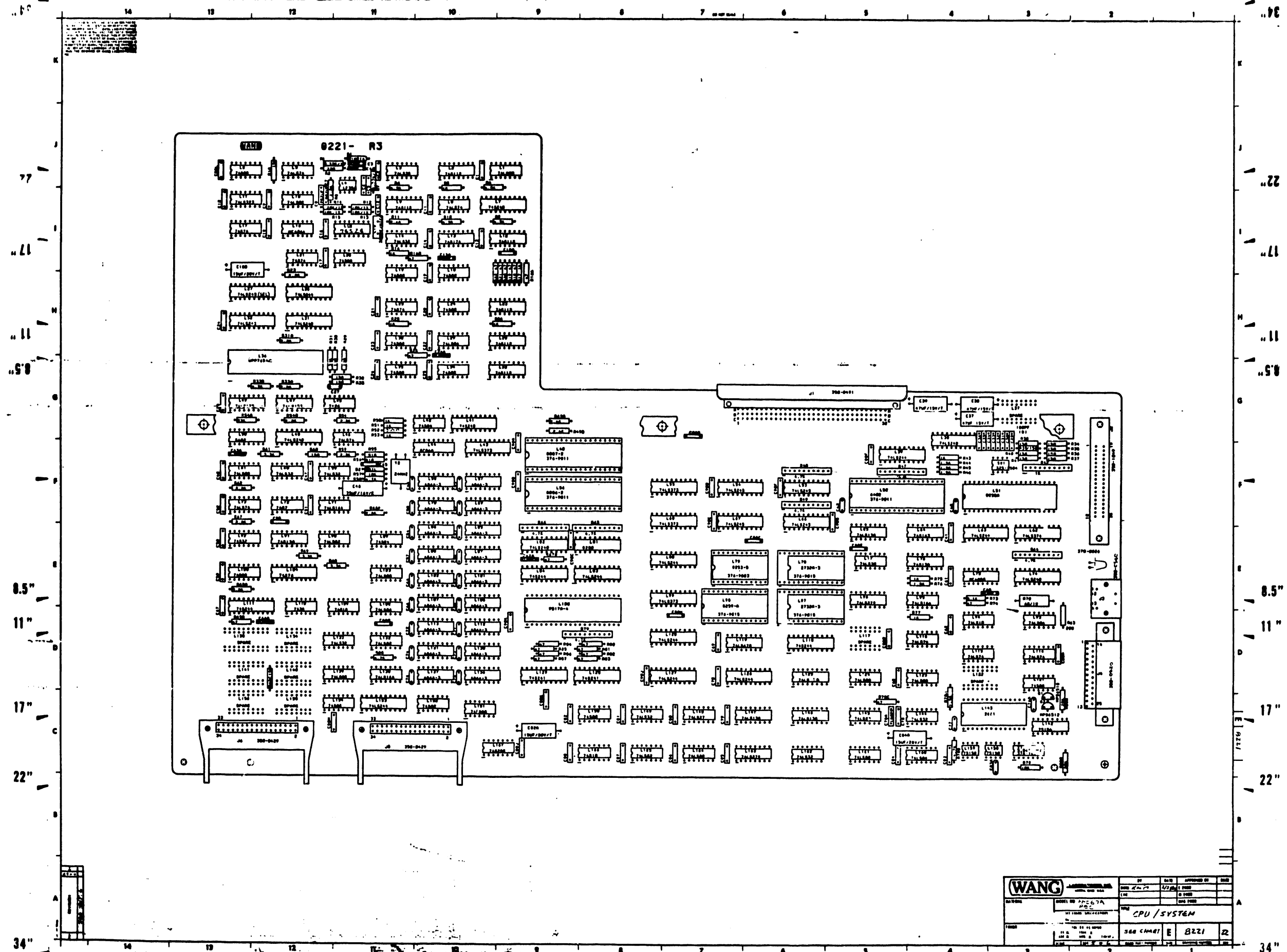
WANG		DATE	APPROVED BY
DESIGNED BY	DATE	DATE	DATE
CHECKED BY	DATE	DATE	DATE
CPU/SYSTEM			
NO. OF SHEETS	368 SHEETS	E	8221 22
NO. OF PAGES	368 PAGES		



WANG		DATE	BY	CHKD
CPU SYSTEM		REV	APP'D BY	DATE
SERIAL NO. 8221		REV	APP'D BY	DATE
E 8221		REV	APP'D BY	DATE



WANG		DATE	DESIGNED BY
NO. 11 0000	221 PHOENIX	DATE	DESIGNED BY
CPU/SYSTEM		DATE	DESIGNED BY
E 8221		DATE	DESIGNED BY



0221-R3

WANG		BY	DATE	APPROVED BY	DATE
MODEL NO. 0221-R3		DATE	12/28/68	DATE	
CPU / SYSTEM		DATE		DATE	
NO. OF PAGES		SEE CHART	E	BZZI	22

REVISIONS
1. REVISED PER...
2. REVISED PER...
3. REVISED PER...
4. REVISED PER...
5. REVISED PER...
6. REVISED PER...
7. REVISED PER...
8. REVISED PER...
9. REVISED PER...
10. REVISED PER...
11. REVISED PER...
12. REVISED PER...
13. REVISED PER...
14. REVISED PER...
15. REVISED PER...
16. REVISED PER...
17. REVISED PER...
18. REVISED PER...
19. REVISED PER...
20. REVISED PER...
21. REVISED PER...
22. REVISED PER...
23. REVISED PER...
24. REVISED PER...
25. REVISED PER...
26. REVISED PER...
27. REVISED PER...
28. REVISED PER...
29. REVISED PER...
30. REVISED PER...
31. REVISED PER...
32. REVISED PER...
33. REVISED PER...
34. REVISED PER...
35. REVISED PER...
36. REVISED PER...
37. REVISED PER...
38. REVISED PER...
39. REVISED PER...
40. REVISED PER...
41. REVISED PER...
42. REVISED PER...
43. REVISED PER...
44. REVISED PER...
45. REVISED PER...
46. REVISED PER...
47. REVISED PER...
48. REVISED PER...
49. REVISED PER...
50. REVISED PER...
51. REVISED PER...
52. REVISED PER...
53. REVISED PER...
54. REVISED PER...
55. REVISED PER...
56. REVISED PER...
57. REVISED PER...
58. REVISED PER...
59. REVISED PER...
60. REVISED PER...
61. REVISED PER...
62. REVISED PER...
63. REVISED PER...
64. REVISED PER...
65. REVISED PER...
66. REVISED PER...
67. REVISED PER...
68. REVISED PER...
69. REVISED PER...
70. REVISED PER...
71. REVISED PER...
72. REVISED PER...
73. REVISED PER...
74. REVISED PER...
75. REVISED PER...
76. REVISED PER...
77. REVISED PER...
78. REVISED PER...
79. REVISED PER...
80. REVISED PER...
81. REVISED PER...
82. REVISED PER...
83. REVISED PER...
84. REVISED PER...
85. REVISED PER...
86. REVISED PER...
87. REVISED PER...
88. REVISED PER...
89. REVISED PER...
90. REVISED PER...
91. REVISED PER...
92. REVISED PER...
93. REVISED PER...
94. REVISED PER...
95. REVISED PER...
96. REVISED PER...
97. REVISED PER...
98. REVISED PER...
99. REVISED PER...
100. REVISED PER...

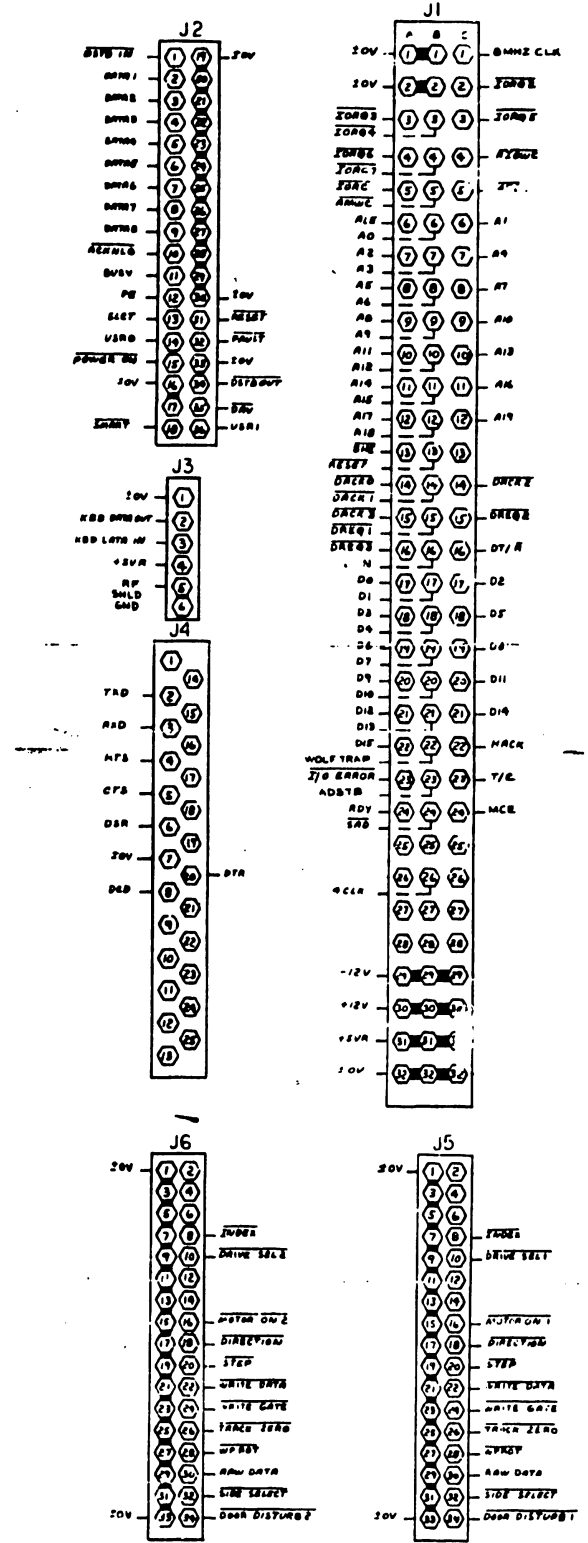
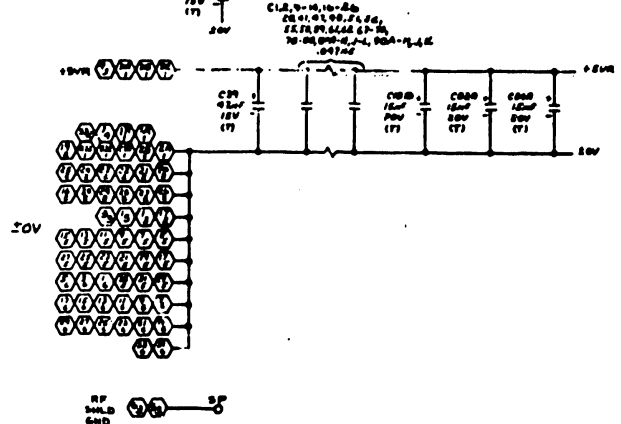
Table with columns: P.C. LOCATION, TYPE, P.I. PART NO. Lists various components and their locations.

Table with columns: COMPONENT, VALUE, P.I. PART NO. Lists component values and part numbers.

Table with columns: P.C. TYPE, LOCATION, SPARES. Lists PC types, locations, and spare counts.

Table with columns: MECHANICS, PART NO., DESCRIPTION. Lists mechanical parts and descriptions.

Table with columns: HARDWARE, PART NO., DESCRIPTION. Lists hardware components and descriptions.

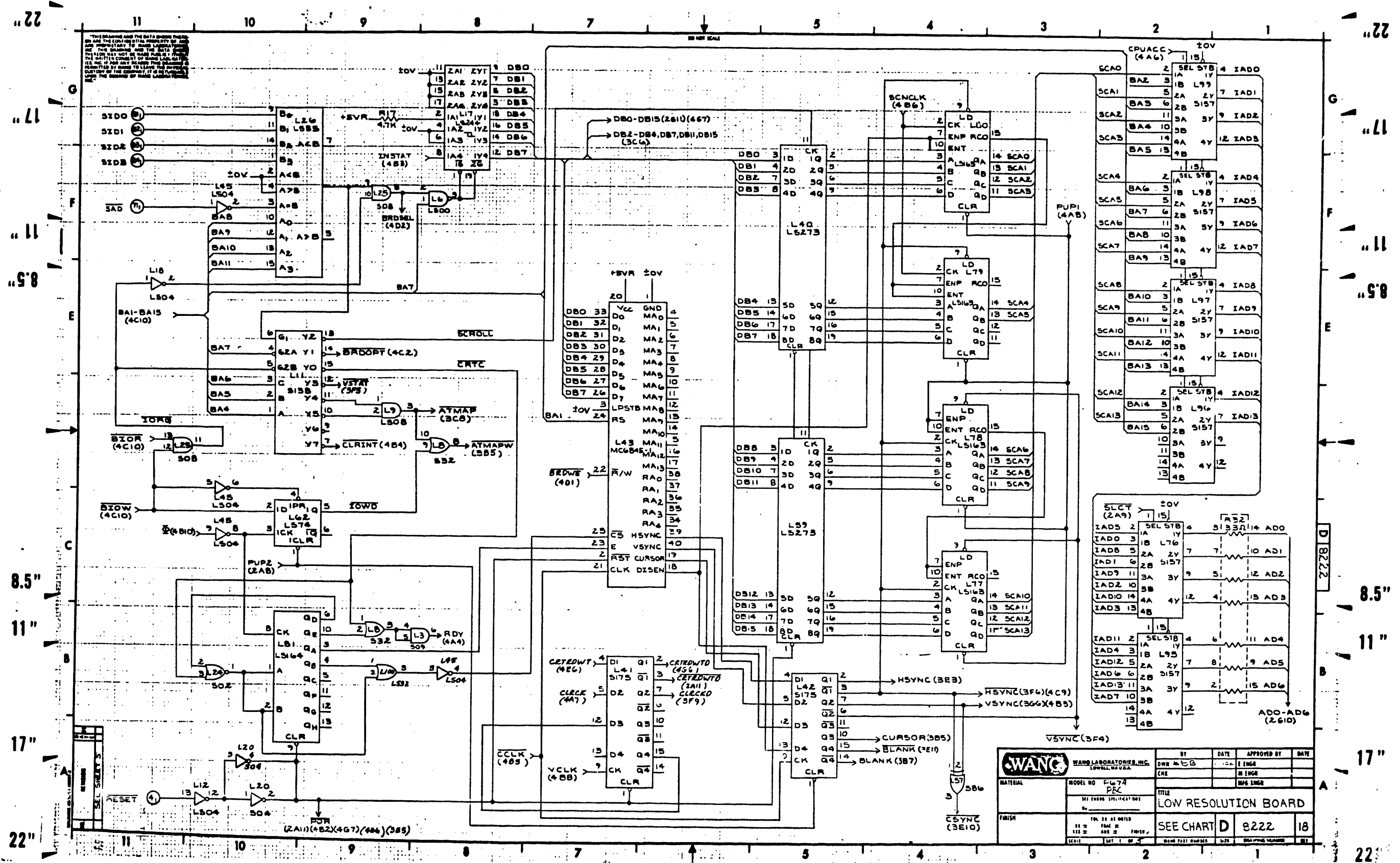


NOTES:
1. ALL MEASUREMENTS...
2. 74LS245 - L27 IS A SELECTED PART.

WALSLEY SYSTEMS INC. form with fields for title (C.P.U. SYSTEM), part number (E 8221), and other administrative information.

77
17
11
58
8.5
11
17
22
34

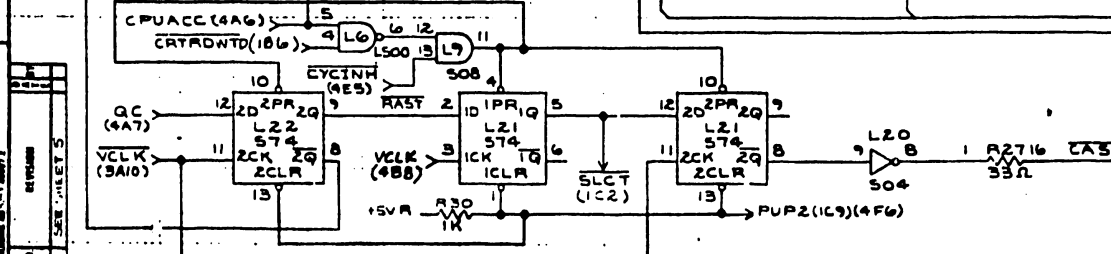
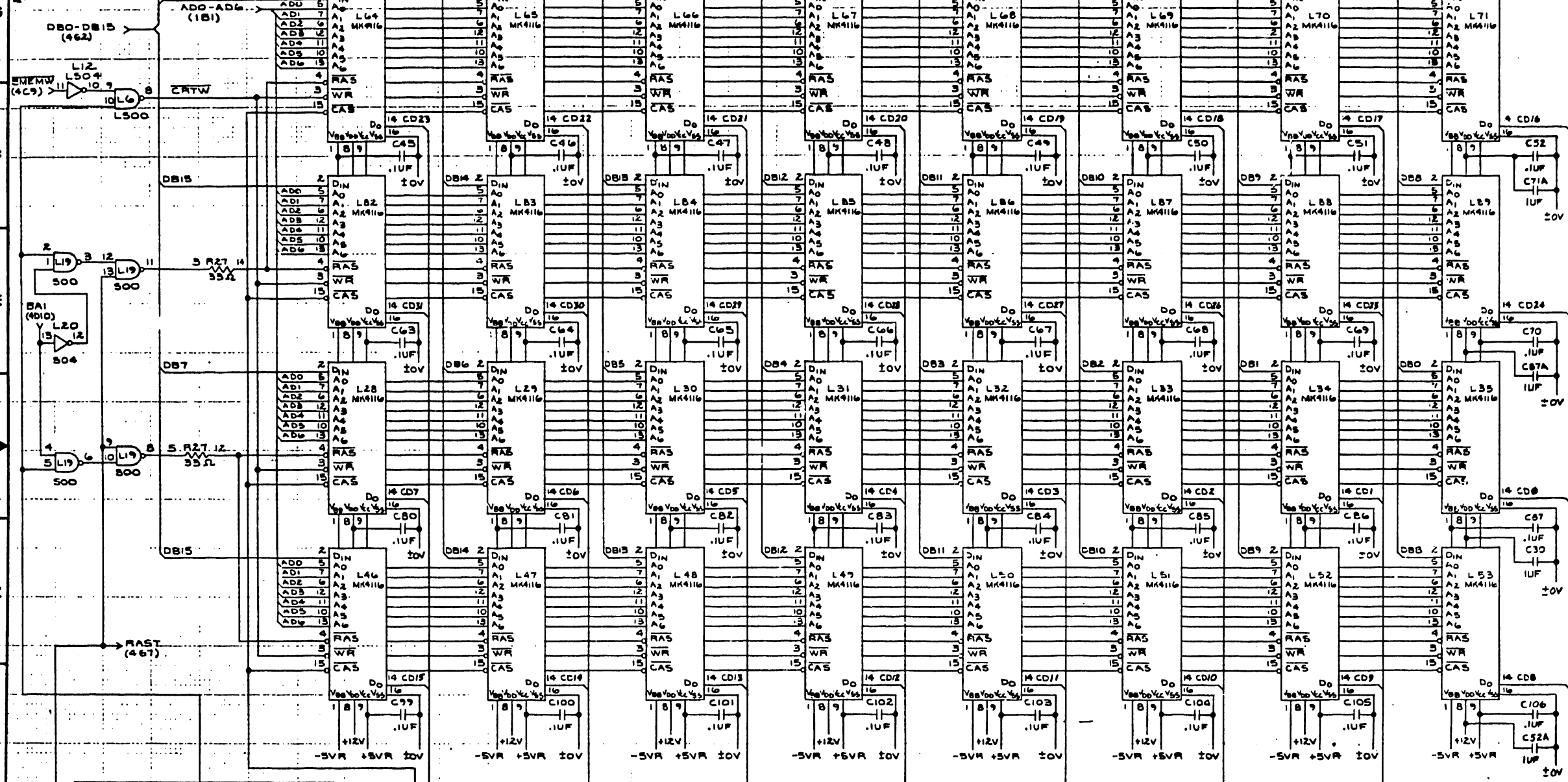
22
17
11
58
8.5
11
17
22
34



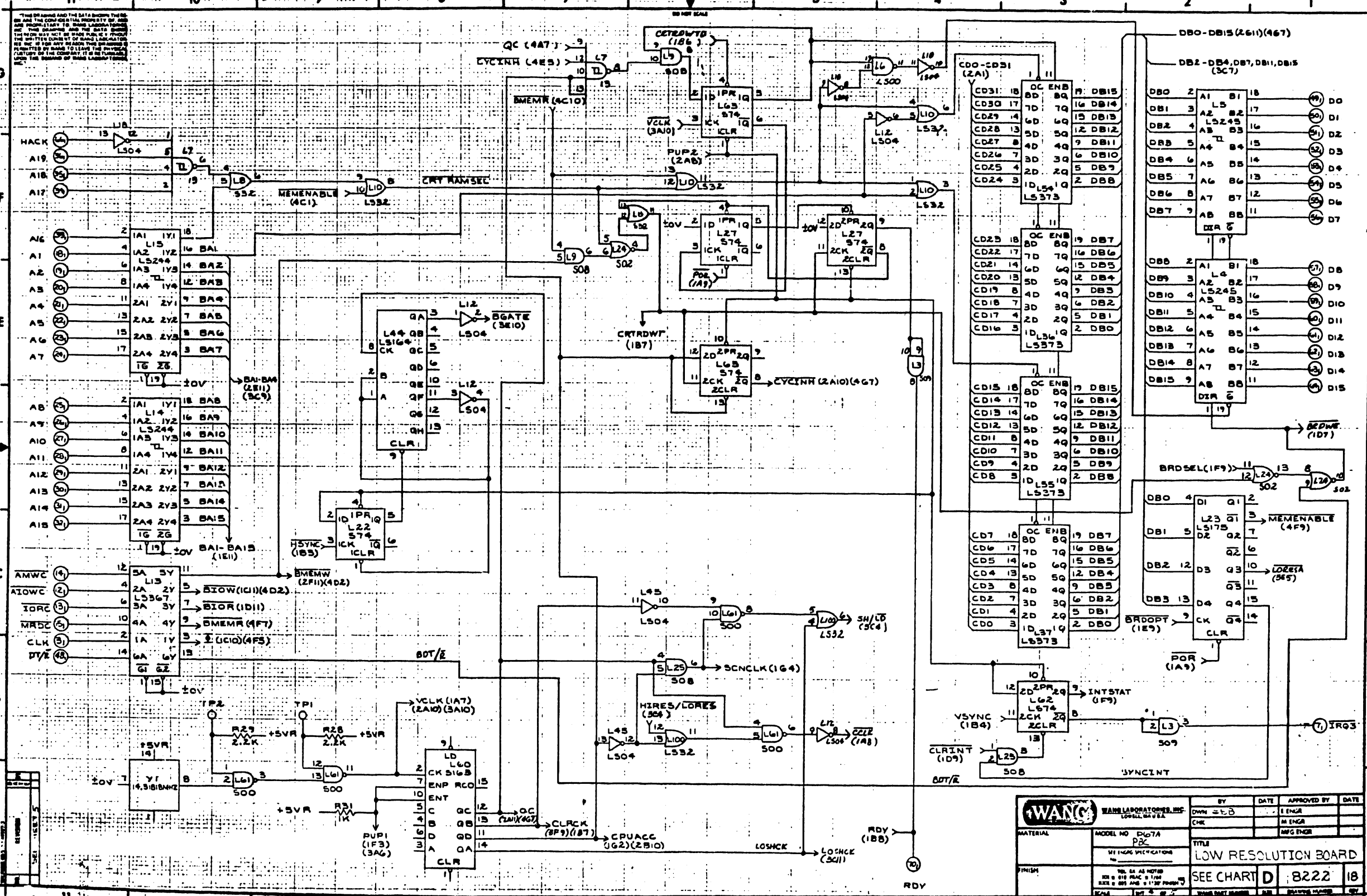
THE BOARD HAS THE DATA BUS...
 AND THE CONTROL SIGNALS...
 THE BOARD IS DESIGNED TO...
 ALL IC'S ARE FROM...
 THE BOARD IS DESIGNED TO...
 ALL IC'S ARE FROM...
 THE BOARD IS DESIGNED TO...
 ALL IC'S ARE FROM...

SWANG WANG LABORATORIES, INC. LOWELL, MASS.		BY	DATE	APPROVED BY	DATE
MATERIAL	MODEL NO. P-674 PCB	DWN	ENG	ENG	
SEE ENGINE SPECIFICATION		CHK	ENG	ENG	
TITLE LOW RESOLUTION BOARD					
FINISH					
SEE CHART D 8222		18			

THIS DRAWING AND THE DATA THEREON ARE THE CONFIDENTIAL PROPERTY OF AND ARE LOANED TO YOU BY WANG LABORATORIES, INC. YOU ARE NOT TO REPRODUCE OR DISSEMINATE THE DATA HEREON TO ANY OTHER PERSON OR ENTITY WITHOUT THE WRITTEN CONSENT OF WANG LABORATORIES, INC. IF YOU ARE A CONTRACTOR, YOU ARE HEREBY NOTIFIED BY WANG LABORATORIES, INC. THAT YOU ARE TO MAINTAIN THE CONFIDENTIALITY OF THE DATA HEREON AND THE DESIGN OF SUCH HARDWARE.



WANG WANG LABORATORIES, INC. LOW RESOLUTION BOARD		BY	DATE	APPROVED BY	DATE
MODEL NO P67A PAC		DWH	5-8	INGE	
SERIAL NO. 11110000000000000000		ONE		INGE	
FINISH		TYPE LOW RESOLUTION BOARD			
SEE CHART D 8222		SEE CHART D 8222			
DRAWING NUMBER		DRAWING NUMBER			



THIS BOARD AND THE DATA THEREON ARE THE CONFIDENTIAL PROPERTY OF WANG AND SHOULD BE KEPT AS SUCH. THE INFORMATION CONTAINED HEREIN IS UNCLASSIFIED AND THE DATA THEREON IS UNCLASSIFIED. THE INFORMATION CONTAINED HEREIN IS UNCLASSIFIED EXCEPT WHERE SHOWN OTHERWISE BY A CONTROLLED DOCUMENTATION SYMBOL. THE INFORMATION CONTAINED HEREIN IS UNCLASSIFIED EXCEPT WHERE SHOWN OTHERWISE BY A CONTROLLED DOCUMENTATION SYMBOL. THE INFORMATION CONTAINED HEREIN IS UNCLASSIFIED EXCEPT WHERE SHOWN OTHERWISE BY A CONTROLLED DOCUMENTATION SYMBOL.

WANG WANG LABORATORIES, INC. LOWELL, MASS. U.S.A.		BY: DWN: S-B	DATE: _____	APPROVED BY: _____	DATE: _____
MATERIAL: _____	MODEL NO: D107A PCB	CHEK: _____	IN ENGR: _____	MFG ENGR: _____	
FINISH: _____	SEE CHART D 8222 18	TITLE: LOW RESOLUTION BOARD			
TEL: 603 895 4100 FAX: 603 895 4100 1000 WASHINGTON ST., LOWELL, MASS. 01851		DATE: 10/2/81 DRAWN: DWN: S-B CHECKED: _____ IN ENGR: _____ MFG ENGR: _____			

THE DRAWING AND THE DATA HEREON THEREON ARE THE PROPERTY OF WANG LABORATORIES, INC. AND ARE TO BE KEPT IN CONFIDENTIALITY. THESE DRAWINGS AND THE DATA HEREON ARE TO BE KEPT IN CONFIDENTIALITY AND NOT TO BE REPRODUCED OR TRANSMITTED IN ANY FORM OR BY ANY MEANS, ELECTRONIC OR MECHANICAL, INCLUDING PHOTOCOPYING, RECORDING, OR BY ANY INFORMATION STORAGE AND RETRIEVAL SYSTEM. THE DRAWING AND THE DATA HEREON ARE TO BE KEPT IN CONFIDENTIALITY AND NOT TO BE REPRODUCED OR TRANSMITTED IN ANY FORM OR BY ANY MEANS, ELECTRONIC OR MECHANICAL, INCLUDING PHOTOCOPYING, RECORDING, OR BY ANY INFORMATION STORAGE AND RETRIEVAL SYSTEM.

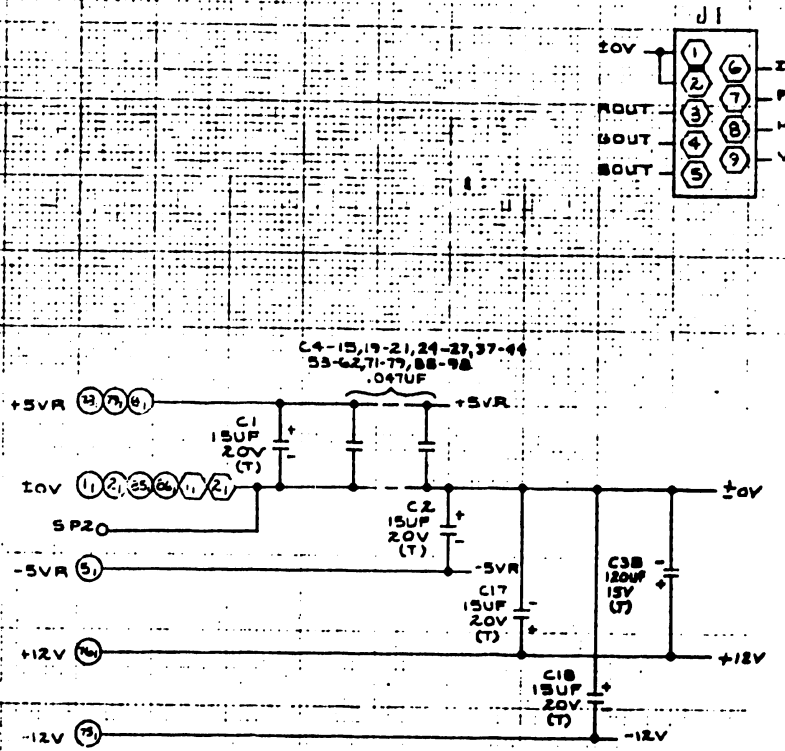
I.C. LOCATION	TYPE	W.L. PART NO.
L1	LM1889	SEE CHART
L2	LM1886	SEE CHART
L3	74509	376-0595
L4,5	74LS245	376-0285
L6	74LS00	376-0207
L7	7415	376-0355
L10,100	74LS32	376-0211
L54,56,74,75	SPARES	
L11	745138	376-0298
L12,18,45	74LS04	376-0180
L13,100A	74LS367	376-0192
L14,15,17	74LS244	376-0288
L16	74367	376-0176
L17,61	74500	376-0228
L20	74504	376-0197
L21,22,27,63	74574	376-0202
L9,25	74508	376-0200
L23	74LS175	376-0160
L24	74502	376-0199
L26	74LS85	376-0218
L62,93	74LS74	376-0155
L28-35,46-53,64-71,82-89	NK4116	397-0345
L36,37,54,55	74LS373	376-0310
L38,41,42	745175	376-0270
L8	74532	376-0205
L39	745189	376-0349
L40,59	74LS273	376-0302
L43	MC1495-1731D	SEE CHART
L44,81	74LS164	376-0236
L57	74586	376-0271
L60	745163	376-0235
L72,73,90,91	74LS166	376-0575
L76,92,94-99	745157	376-0217
L77-80	74LS163	376-0574
L1	18 PIN SOCKET	376-9014
L2	20 PIN SOCKET	376-9020
L43	40 PIN SOCKET	376-9011

COMPONENT	TYPE	W.L. PART NO.
R1,171	4.7K 5% 1/4W	330-3048
R3	10K 5% 1/4W	330-4011
R4	2K 5% 1/4W	330-3021
R6A	22K 5% 1/4W	330-1023
R6	1.8K 5% 1/4W	330-3019
R7	820Ω 5% 1/4W	330-2083
R30,31	1K 5% 1/4W	330-3011
R5, R7A, R17A	2.4K 5% 1/4W	330-3025
R27,32	33Ω DIP	333-0835
R28,29	2.2K 5% 1/4W	330-3023
C1,2,17,18	15UF 20V (T)	300-4022
C3,30,52A,71A,87A	1UF (H.F.)	300-1931
C4-15,19-21,24-27,37-44,53-62,71-73,88-98	.047UF 50V	300-1966
C16	220UF 15V (T)	300-4045
C45-52,63-70,80-87,99-106,3,3A,29	1UF (H.F.)	300-1930
C38	120UF 15V (T)	300-4031
D2	1N914A	380-1012
Q1	74PS6514	375-1062
J1	9 PIN CONN	350-0716
Y1	14.31818MHZ	321-1008
(Y1)	INSULATOR	376-9009
	EJECTOR	465-1250
	LABEL, CONNECTOR	615-2196
	LABEL, CONNECTOR	615-2197
	LABEL, R.F. SHIELD	615-2208

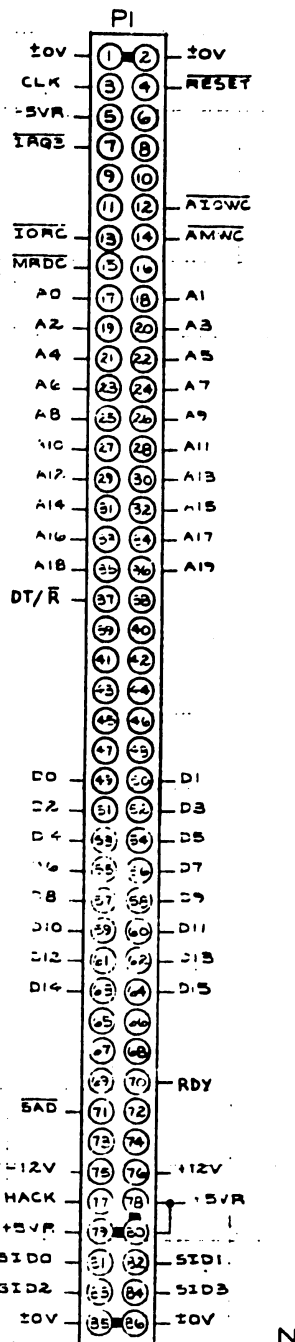
MNEMONICS	COORD
AO-AJ3	4F11
AYWE	4C11
AMWC	4C11
DT/R	4B11
BOUT	3E1
CLK	4B11
DO-D15	4E1
GOUT	3E1
HACK	3F11
H DRIVE	3E1
IRDC	4C11
IRQ3	4B1
MRDC	4C11
PWR OUT	3G1
RDY	4A4
RESET	1A11
ROUT	3E1
SAD	1F11
SIDO-S1D3	1E11
SYNC OUT	3F1
V DRIVE	3F1

TYPE	I.C. LOC.	SPARES
74509	L3	3
74LS32	L100	1
74LS04	L18	2
74508	L25	1

NOTE: ALL RESISTORS ARE 5% 1/4W UNLESS OTHERWISE SPECIFIED.



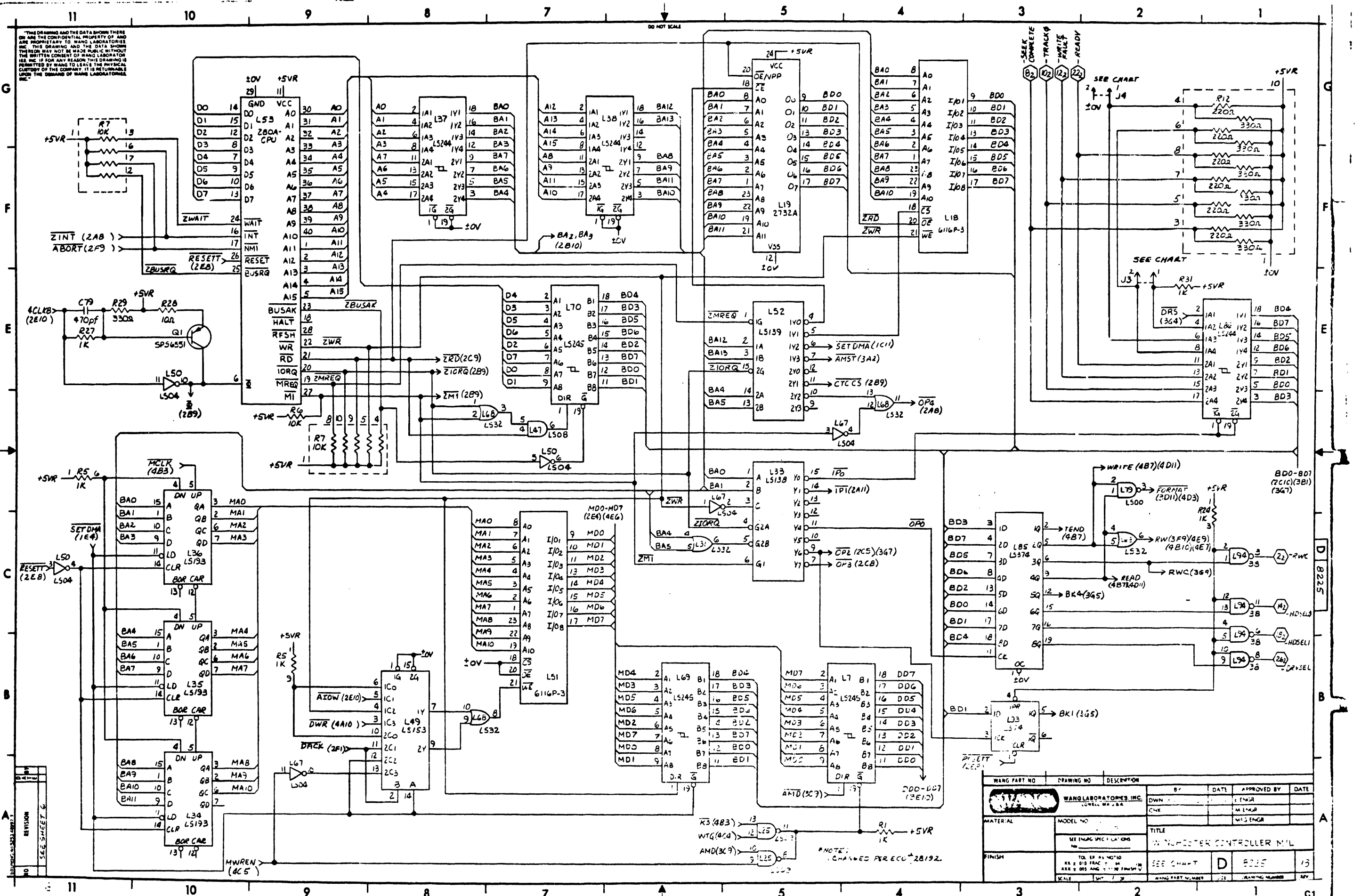
210-239+377 OR 378				
Z10	Z09	L1	L2	L43
B222-A	B222	376-0575	376-0572	397-0473



REV	DATE	BY	DESCRIPTION
1	1/22/72	WJC	INITIAL DESIGN
2	2/1/72	WJC	REVISED PER ECO # 1
3	2/1/72	WJC	REVISED PER ECO # 2
4	2/1/72	WJC	REVISED PER ECO # 3
5	2/1/72	WJC	REVISED PER ECO # 4
6	2/1/72	WJC	REVISED PER ECO # 5
7	2/1/72	WJC	REVISED PER ECO # 6
8	2/1/72	WJC	REVISED PER ECO # 7
9	2/1/72	WJC	REVISED PER ECO # 8
10	2/1/72	WJC	REVISED PER ECO # 9
11	2/1/72	WJC	REVISED PER ECO # 10
12	2/1/72	WJC	REVISED PER ECO # 11
13	2/1/72	WJC	REVISED PER ECO # 12
14	2/1/72	WJC	REVISED PER ECO # 13
15	2/1/72	WJC	REVISED PER ECO # 14
16	2/1/72	WJC	REVISED PER ECO # 15
17	2/1/72	WJC	REVISED PER ECO # 16
18	2/1/72	WJC	REVISED PER ECO # 17
19	2/1/72	WJC	REVISED PER ECO # 18
20	2/1/72	WJC	REVISED PER ECO # 19
21	2/1/72	WJC	REVISED PER ECO # 20
22	2/1/72	WJC	REVISED PER ECO # 21
23	2/1/72	WJC	REVISED PER ECO # 22
24	2/1/72	WJC	REVISED PER ECO # 23
25	2/1/72	WJC	REVISED PER ECO # 24
26	2/1/72	WJC	REVISED PER ECO # 25
27	2/1/72	WJC	REVISED PER ECO # 26
28	2/1/72	WJC	REVISED PER ECO # 27
29	2/1/72	WJC	REVISED PER ECO # 28
30	2/1/72	WJC	REVISED PER ECO # 29
31	2/1/72	WJC	REVISED PER ECO # 30
32	2/1/72	WJC	REVISED PER ECO # 31
33	2/1/72	WJC	REVISED PER ECO # 32
34	2/1/72	WJC	REVISED PER ECO # 33
35	2/1/72	WJC	REVISED PER ECO # 34
36	2/1/72	WJC	REVISED PER ECO # 35
37	2/1/72	WJC	REVISED PER ECO # 36
38	2/1/72	WJC	REVISED PER ECO # 37
39	2/1/72	WJC	REVISED PER ECO # 38
40	2/1/72	WJC	REVISED PER ECO # 39
41	2/1/72	WJC	REVISED PER ECO # 40
42	2/1/72	WJC	REVISED PER ECO # 41
43	2/1/72	WJC	REVISED PER ECO # 42
44	2/1/72	WJC	REVISED PER ECO # 43
45	2/1/72	WJC	REVISED PER ECO # 44
46	2/1/72	WJC	REVISED PER ECO # 45
47	2/1/72	WJC	REVISED PER ECO # 46
48	2/1/72	WJC	REVISED PER ECO # 47
49	2/1/72	WJC	REVISED PER ECO # 48
50	2/1/72	WJC	REVISED PER ECO # 49
51	2/1/72	WJC	REVISED PER ECO # 50
52	2/1/72	WJC	REVISED PER ECO # 51
53	2/1/72	WJC	REVISED PER ECO # 52
54	2/1/72	WJC	REVISED PER ECO # 53
55	2/1/72	WJC	REVISED PER ECO # 54
56	2/1/72	WJC	REVISED PER ECO # 55
57	2/1/72	WJC	REVISED PER ECO # 56
58	2/1/72	WJC	REVISED PER ECO # 57
59	2/1/72	WJC	REVISED PER ECO # 58
60	2/1/72	WJC	REVISED PER ECO # 59
61	2/1/72	WJC	REVISED PER ECO # 60
62	2/1/72	WJC	REVISED PER ECO # 61
63	2/1/72	WJC	REVISED PER ECO # 62
64	2/1/72	WJC	REVISED PER ECO # 63
65	2/1/72	WJC	REVISED PER ECO # 64
66	2/1/72	WJC	REVISED PER ECO # 65
67	2/1/72	WJC	REVISED PER ECO # 66
68	2/1/72	WJC	REVISED PER ECO # 67
69	2/1/72	WJC	REVISED PER ECO # 68
70	2/1/72	WJC	REVISED PER ECO # 69
71	2/1/72	WJC	REVISED PER ECO # 70
72	2/1/72	WJC	REVISED PER ECO # 71
73	2/1/72	WJC	REVISED PER ECO # 72
74	2/1/72	WJC	REVISED PER ECO # 73
75	2/1/72	WJC	REVISED PER ECO # 74
76	2/1/72	WJC	REVISED PER ECO # 75
77	2/1/72	WJC	REVISED PER ECO # 76
78	2/1/72	WJC	REVISED PER ECO # 77
79	2/1/72	WJC	REVISED PER ECO # 78
80	2/1/72	WJC	REVISED PER ECO # 79
81	2/1/72	WJC	REVISED PER ECO # 80
82	2/1/72	WJC	REVISED PER ECO # 81
83	2/1/72	WJC	REVISED PER ECO # 82
84	2/1/72	WJC	REVISED PER ECO # 83
85	2/1/72	WJC	REVISED PER ECO # 84
86	2/1/72	WJC	REVISED PER ECO # 85
87	2/1/72	WJC	REVISED PER ECO # 86
88	2/1/72	WJC	REVISED PER ECO # 87
89	2/1/72	WJC	REVISED PER ECO # 88
90	2/1/72	WJC	REVISED PER ECO # 89
91	2/1/72	WJC	REVISED PER ECO # 90
92	2/1/72	WJC	REVISED PER ECO # 91
93	2/1/72	WJC	REVISED PER ECO # 92
94	2/1/72	WJC	REVISED PER ECO # 93
95	2/1/72	WJC	REVISED PER ECO # 94
96	2/1/72	WJC	REVISED PER ECO # 95
97	2/1/72	WJC	REVISED PER ECO # 96
98	2/1/72	WJC	REVISED PER ECO # 97
99	2/1/72	WJC	REVISED PER ECO # 98
100	2/1/72	WJC	REVISED PER ECO # 99

WANG LABORATORIES, INC. MODEL NO. 107A PCB. SEE CHART D 8222 18

THIS DRAWING AND THE DATA SHOWN THEREON ARE THE CONFIDENTIAL PROPERTY OF AND ARE PROPRIETARY TO WANG LABORATORIES, INC. THIS DRAWING AND THE DATA SHOWN THEREON MAY NOT BE MADE PUBLIC WITHOUT THE WRITTEN CONSENT OF WANG LABORATORIES, INC. IF FOR ANY REASON THIS DRAWING IS PERMITTED BY WANG TO LEAVE THE PHYSICAL CUSTODY OF THE COMPANY, IT IS RETURNABLE UPON THE DEMAND OF WANG LABORATORIES, INC.



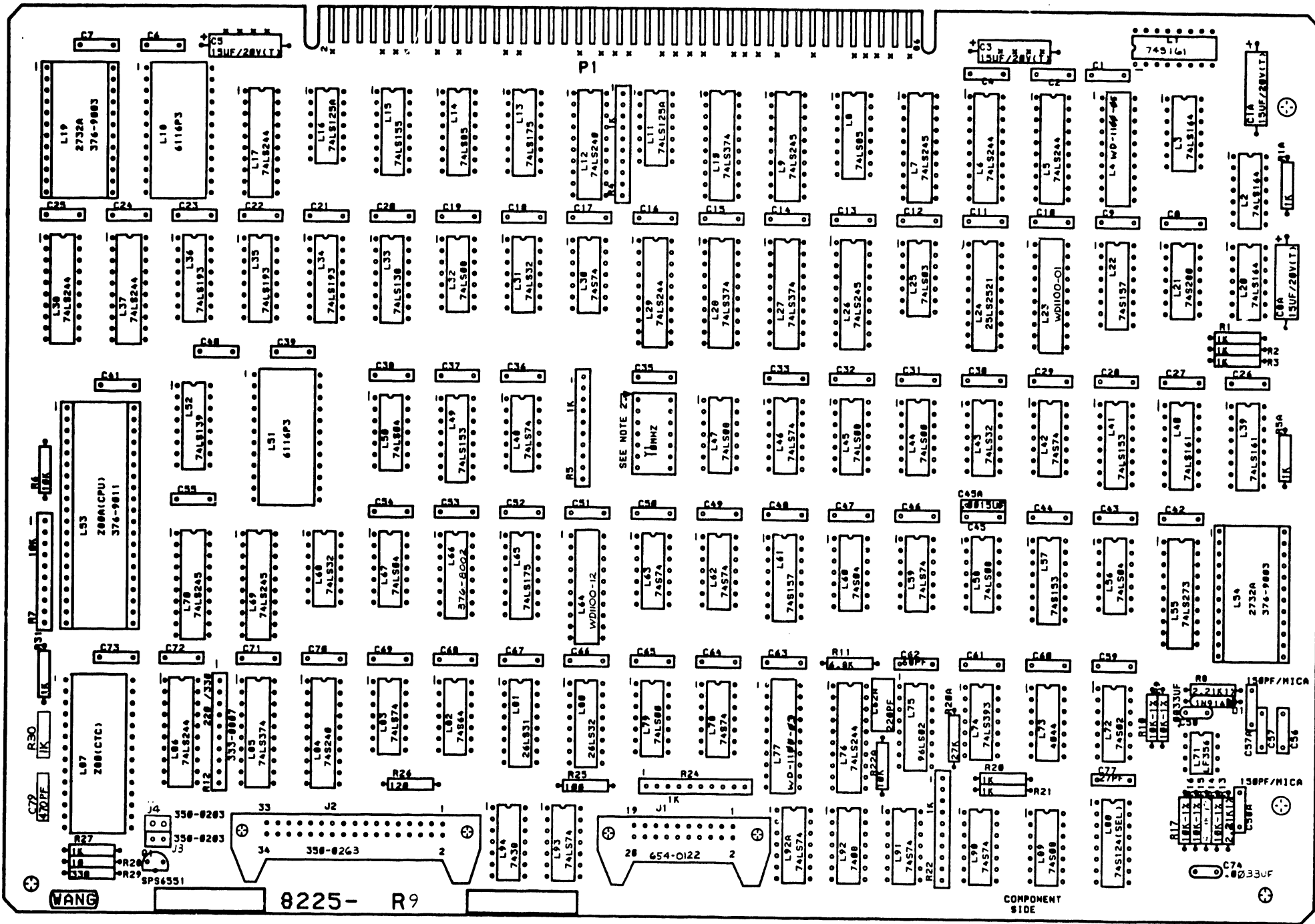
WANG PART NO	DRAWING NO	DESCRIPTION	BY	DATE	APPROVED BY	DATE
			DOWN		ENGWR	
			CHK		MENGR	
					WIS ENGR	
MATERIAL	MODEL NO	TITLE				
	SEE INSTRUCTIONS	WINCHESTER CONTROLLER M.I.L.				
FINISH	TOL. EX. BY NCT-10	SEE CHART	D	8025	13	
	ARR. & DIS. ANG. & FINISH					
	SCALE					

*NOTE: CHANGED PER ECU 2819Z.

NO	REVISION	SEE SHEET

THE DRAWING AND THE DATA SHOWN THERE ON ARE THE CONFIDENTIAL PROPERTY OF AND ARE PROPRIETARY TO WANG LABORATORIES, INC. THIS DRAWING AND THE DATA SHOWN THEREIN MAY NOT BE MADE PUBLIC WITHOUT THE WRITTEN CONSENT OF WANG LABORATORIES, INC. IF FOR ANY REASON THIS DRAWING IS PERMITTED BY WANG TO LEAVE THE PHYSICAL CUSTODY OF THE COMPANY, IT IS RETURNABLE UPON THE DEMAND OF WANG LABORATORIES, INC.

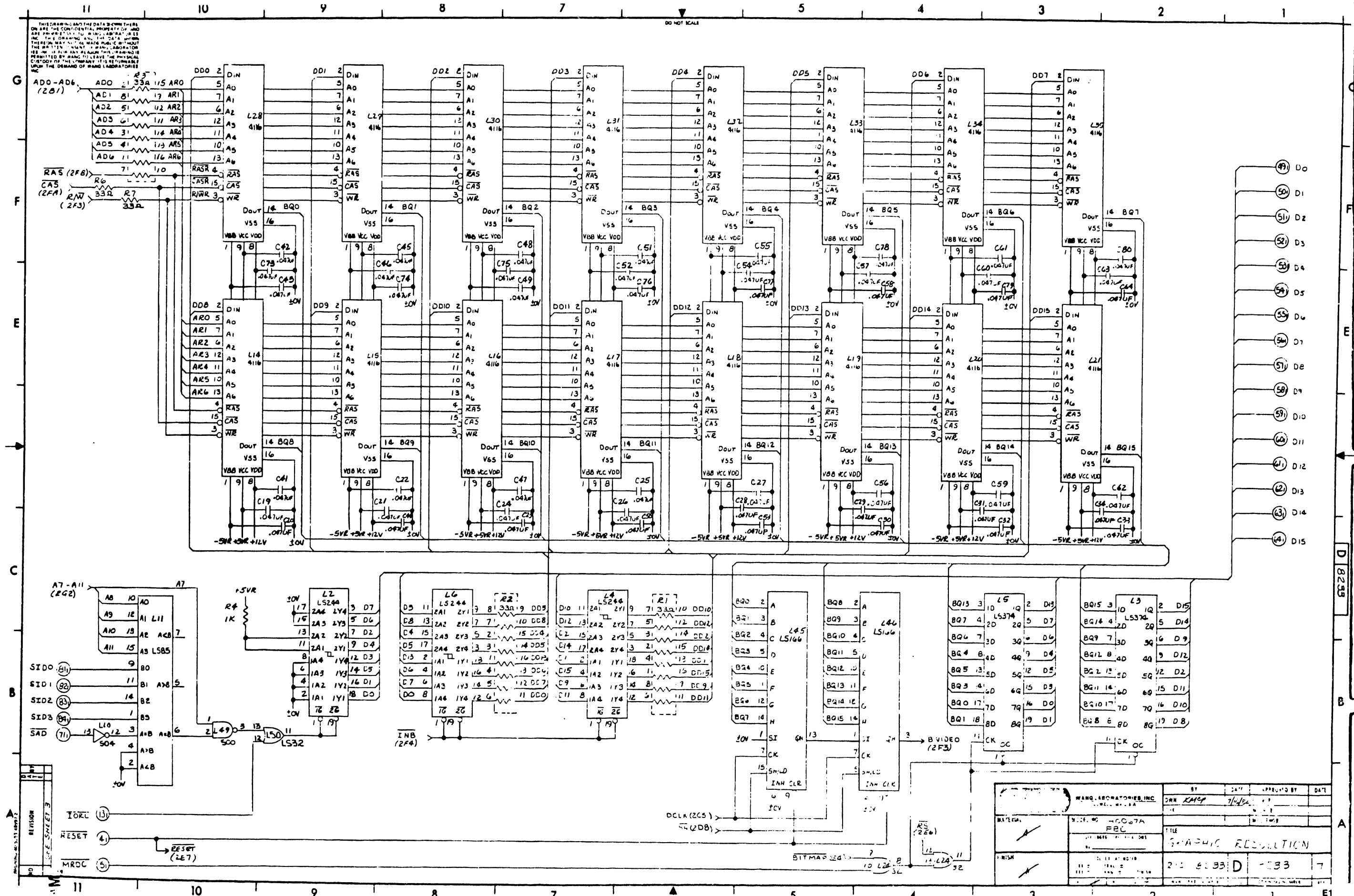
DO NOT SCALE



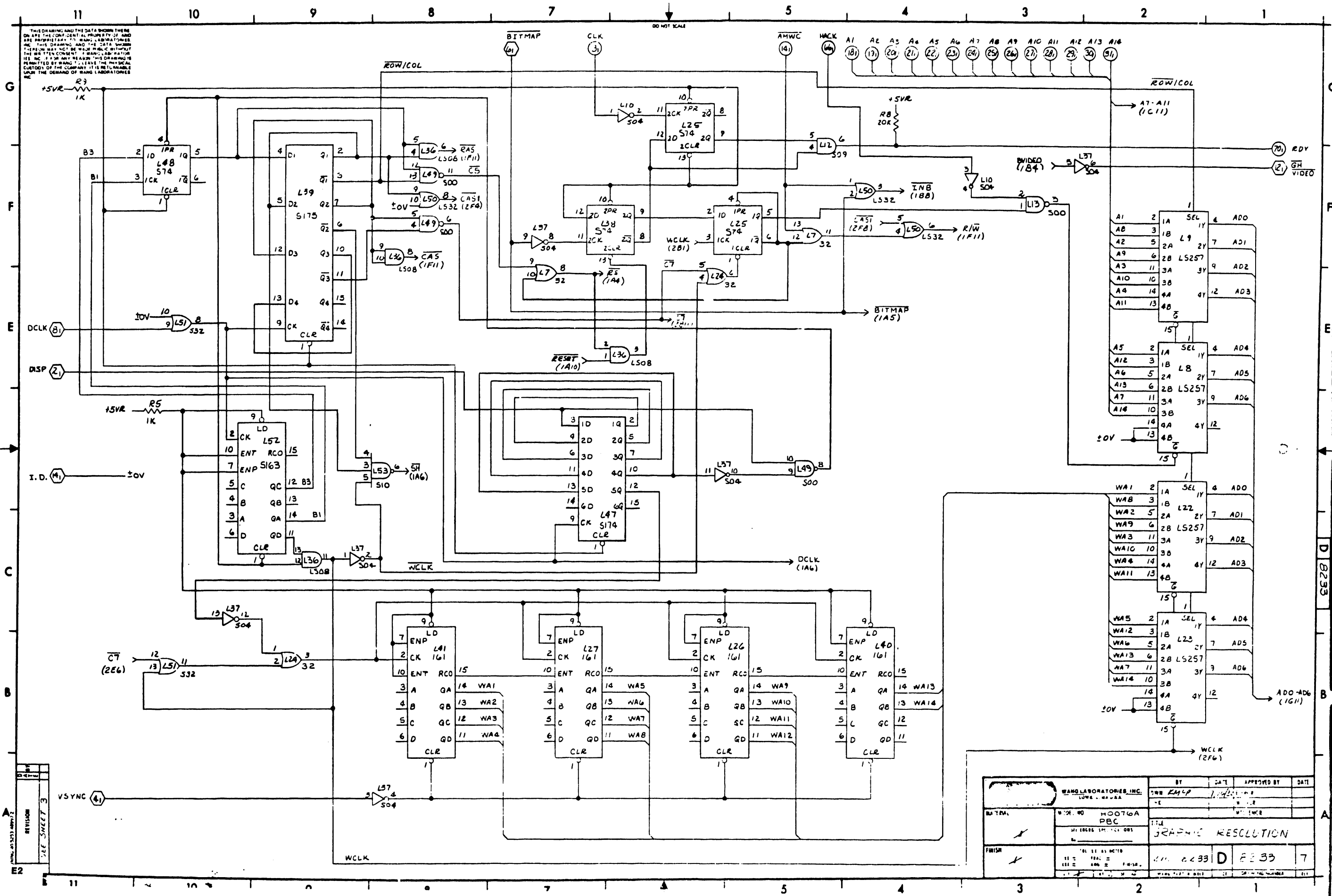
NO	REVISION
1	SEE SHEET 6

WANG LABORATORIES, INC. LOWELL, MASS. U.S.A.		BY	DATE	APPROVED BY	DATE
		DWN KA	3/12/72	E ENGR	
MATERIAL MODEL NO P07 P0L7 SEE ENGR SPECIFICATIONS		CHE 2	3/12/72	M ENGR	
		TITLE WINCHESTER CONTROLLER M/L			
FINISH 101 IS AS NOTED R1 = FRAC = FINISH R2 = ANG = FINISH		SEE CHART	D	8225	13
		SCALE 1/8" = 1"			

THIS DRAWING AND THE DATA THEREON ARE THE CONFIDENTIAL PROPERTY OF AND ARE LOANED TO YOU BY WANG LABORATORIES, INC. THIS DRAWING AND THE DATA THEREON MAY NOT BE MADE PUBLIC WITHOUT THE WRITTEN CONSENT OF WANG LABORATORIES, INC. IT IS TO BE KEPT UNDER LOCK AND KEY AND IS TO BE RETURNED TO THE DEMAND OF WANG LABORATORIES, INC.



WANG LABORATORIES, INC.		BY	DATE	APPROVED BY	DATE
PROJECT NO. 0007A		SWR	7/1/74		
TITLE		5-A-410 RESOLUTION			
REV. NO.		2-1 8-33 D -33 7			



D 8233

A

11 10 9 8 7 5 4 3 2 1

THIS DRAWING AND THE DATA SHOWN THERE ON ARE THE CONFIDENTIAL PROPERTY OF AND ARE PROPRIETARY TO WANG LABORATORIES, INC. THIS DRAWING AND THE DATA SHOWN THEREON MAY NOT BE MADE PUBLIC WITHOUT THE WRITTEN CONSENT OF WANG LABORATORIES, INC. IF FOR ANY REASON THIS DRAWING IS PERMITTED BY WANG TO LEAVE THE PHYSICAL CUSTODY OF THE COMPANY, IT IS RETURNABLE UPON THE DEMAND OF WANG LABORATORIES, INC.

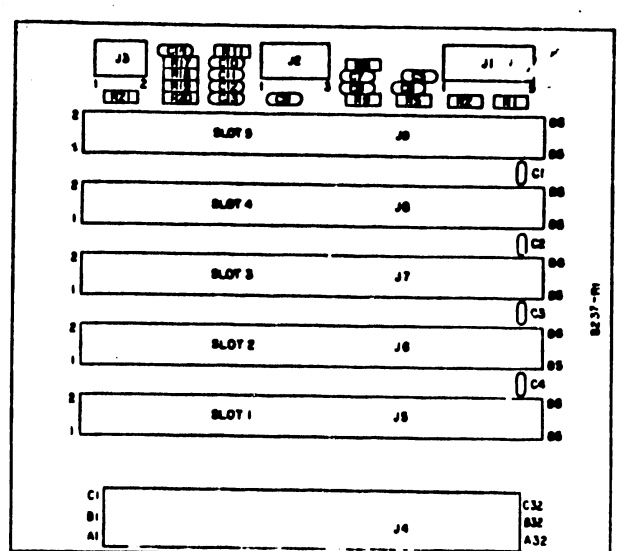
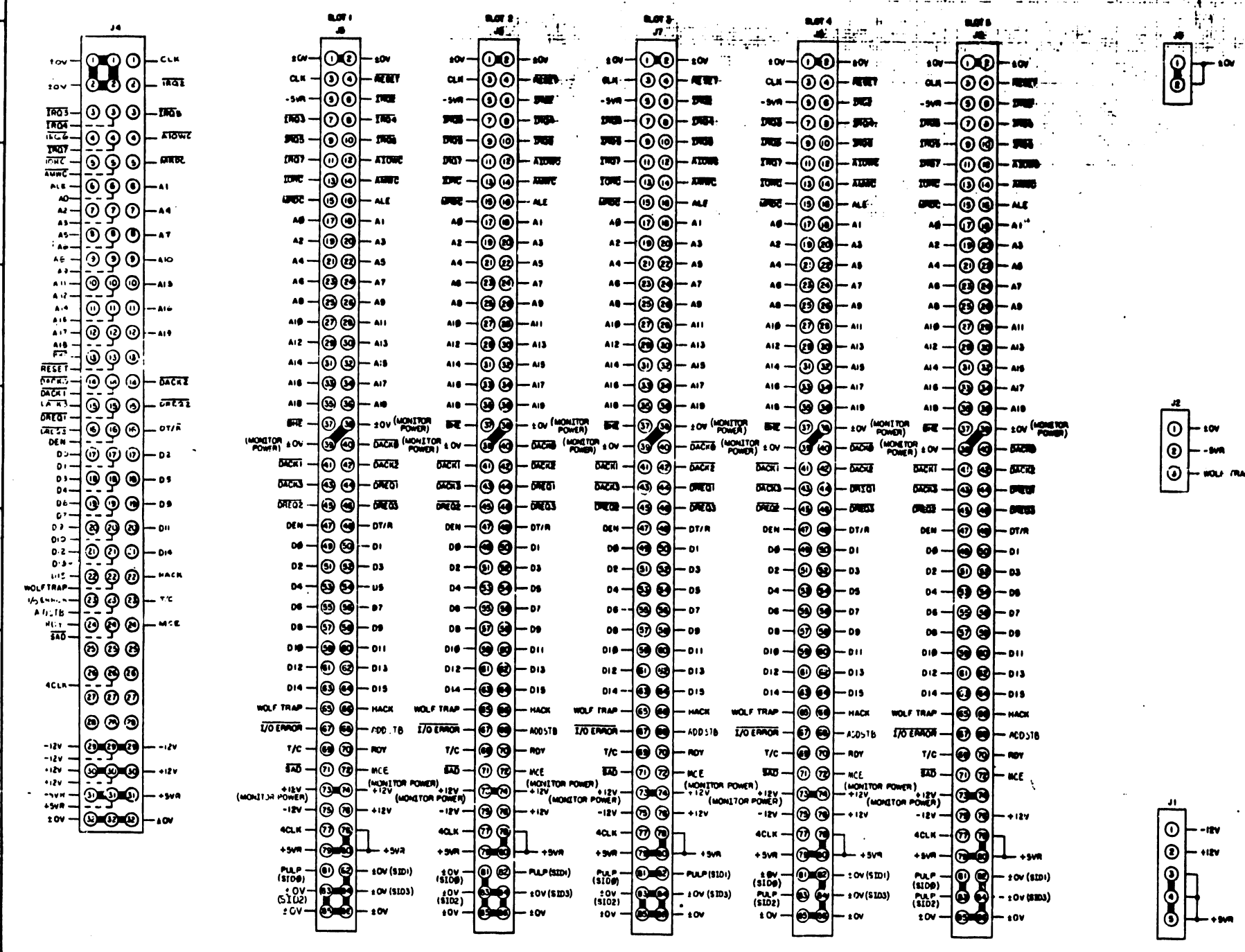
DO NOT SCALE

ITEM NO.	WANG PART NO.	DESCRIPTION	REFERENCE DESIGNATION(S)	QTY.
48	465-1250	EJECTOR		1
47				
46				
45	652-0032	6-32 NUT		2
44	670-3120	SCREW 5-16		2
43	458-3045	SHIELD		1
42				
41				
40	377-0345	MCM4116L-20	L14-21, 28-35	16
39				
38	615-2206	LABEL, RFSHIELD		1
37				
36	376-0575	74507	L12	1
35	376-0575	74L3166	L45, 46	2
34	376-0288	74L3247	L2, 4, 6	3
33	376-0286	74L5374	L3, 5	2
32	376-0270	745175	L37	1
31	376-0247	745174	L47	1
30	376-0238	74510	L53	1
29				
28	376-0235	745163	L52	1
27	376-0228	74500	L13, 49	1
26	376-0218	74L5355	L11	1
25	376-0211	74L532	L7, 50	2
24				
23	376-0205	74532	L51	1
22	376-0204	74L5257	L2, 9, 22, 23	4
21	376-0202	74374	L25, 38, 48	3
20	376-0197	7430F	L10, 32	2
19	376-0153	74L50B	L36	1
18	376-0074	74161	L26, 27, 44, 41	4
17	376-0073	7432	L24	1
16				
15				
14				
13	333-0835	33L 21P BPKG	R1-3	3
12				
11				
10	330-4021	20K 1/2W 5% RB		1
9	330-3011	1K 1/2W 5% R.F.S.V		3
8	330-1034	33L 1/2W 5% R.G.7		2
7				
6				
5	300-4022	15MF 20V 1T1	C1-4, 18, 71, 72	7
4	300-1766	1047MF 50V	C6-17, 19-20, 73-80 84-89, 91-93	21
3				
2				
1	215-3231	CABLE ASSEMBLY	J1	1

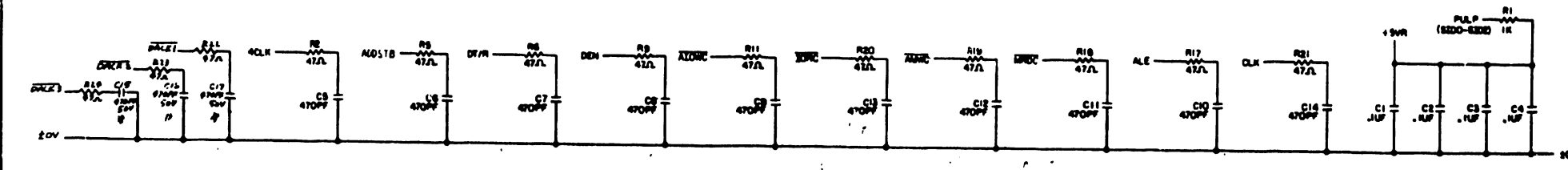
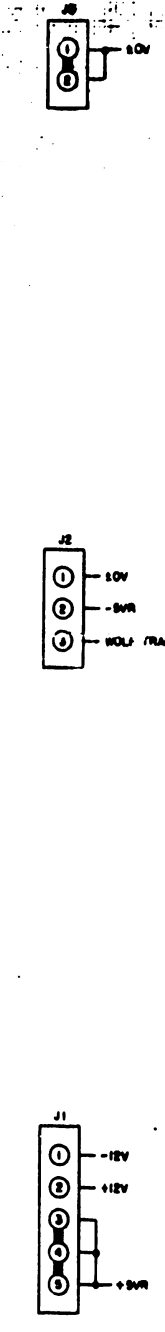
REVISION	DATE	BY
1	3/11/77	J

WANG WANG LABORATORIES, INC. 100 W. WASHINGTON ST. WASHINGTON, D.C. 20004		BY	DATE	APPROVED BY	DATE
MATERIAL	QTY.	OWN		E ENGR	
		ENG		M ENGR	
				MFG ENGR	
FINISH		TITLE			
SEE THESE SPECIFICATIONS		376-0211			
SEE THESE SPECIFICATIONS		D			
SEE THESE SPECIFICATIONS		7			
WANG PART NUMBER		21			

E4 11 10 9 8 7 5 4 3 2 1



COMPONENT	TYPE	VL PART NO
R1	1K 1/4W 5%	334-20-1
R2, 5, 6, 8, 11, 17-24	47K 1/4W 5%	330-1048
C1-4	JUP 50V	300-1930
C5-14	470PF 500V	300-1470
C15-17	470PF 50V	300-1083
J1	CONN, 5 PIN	350-0238
J2	CONN, 3 PIN	350-0217
J3	CONN, 2 PIN	350-0216
J4	CONN, 8 PIN	350-0482
J5-9	CONN, 8 PIN	350-0473



NOTE:
1. UNLESS OTHERWISE SPECIFIED,
ALL RESISTORS ARE IN OHMS 1/4W, 5%
2. 0.0005 PER 820P 2219

REV	DATE	BY	CHKD	DESCRIPTION
1				ORIGINAL REV
2				REVISED PER
3				REVISED PER
4				REVISED PER
5				REVISED PER
6				REVISED PER
7				REVISED PER
8				REVISED PER
9				REVISED PER
10				REVISED PER

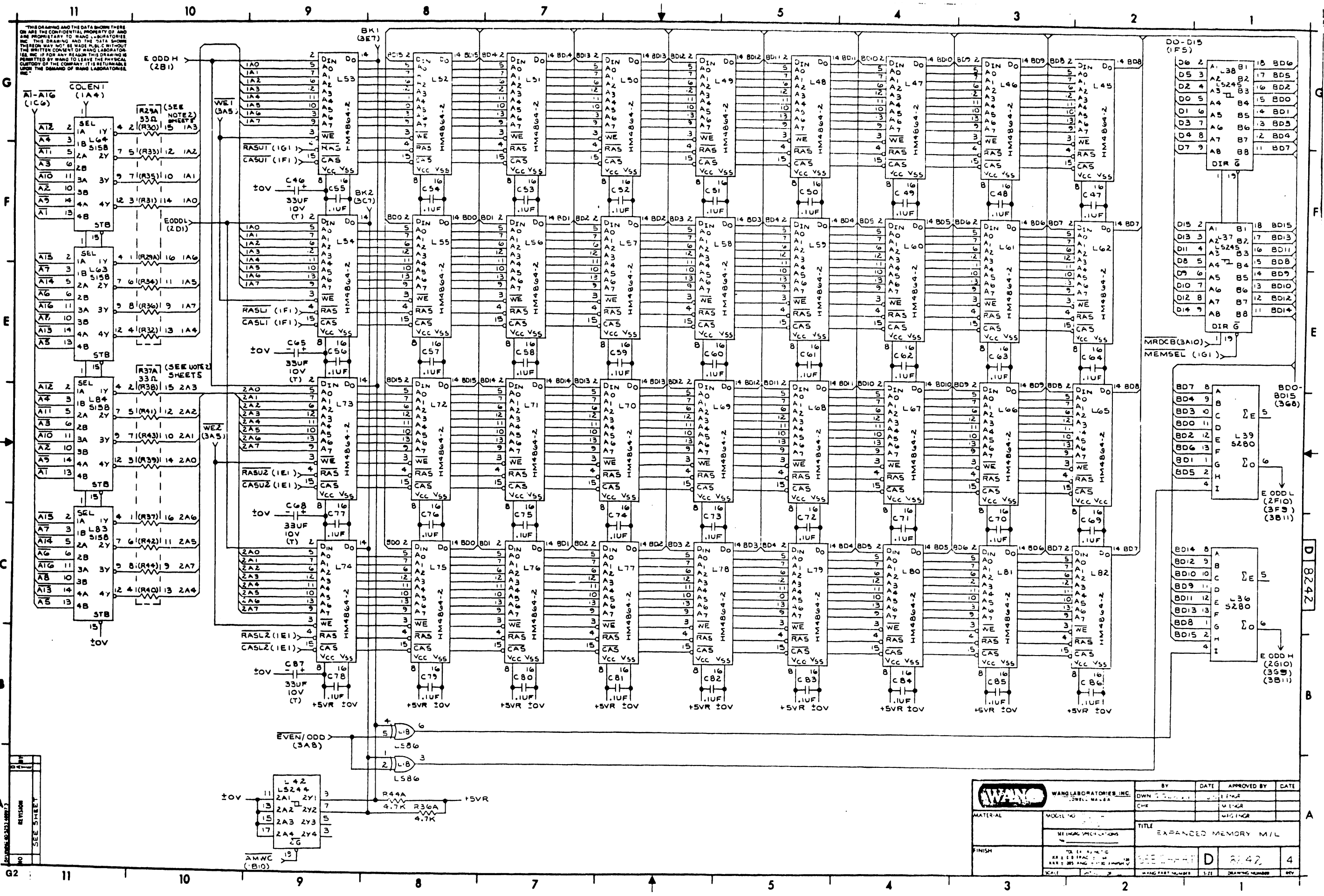
E-REV
1

(WANG)		DATE	APPROVED BY
PC BOARD	2/2/81	DATE	DATE
MOTHER BOARD		DATE	DATE
210-8237	8237		

7.7
11
11
11
8.5
11
17
22
34

22
17
11
8.5
8.5
11
17
22

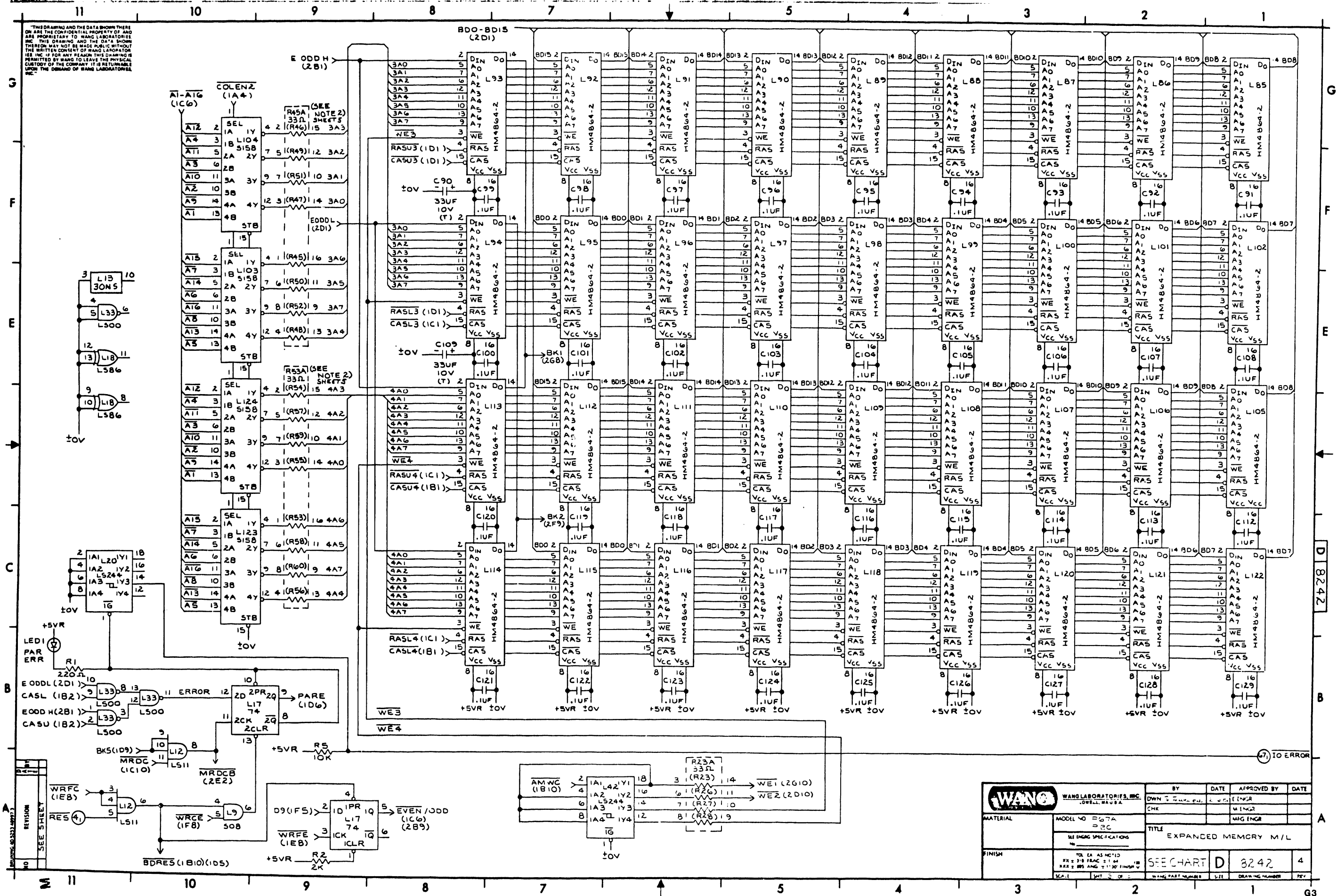
THIS DRAWING AND THE DATA SHOWN THEREON ARE THE CONFIDENTIAL PROPERTY OF AND ARE PROPRIETARY TO WANG LABORATORIES, INC. THIS DRAWING AND THE DATA SHOWN THEREON MAY NOT BE MADE PUBLIC WITHOUT THE WRITTEN CONSENT OF WANG LABORATORIES, INC. IF FOR ANY REASON THIS DRAWING IS PERMITTED BY WANG TO LEAVE THE PHYSICAL CUSTODY OF THE COMPANY, IT IS RETURNABLE UPON THE DEMAND OF WANG LABORATORIES, INC.



REV	DESCRIPTION
1	ISSUED FOR FABRICATION
2	REVISED TO CORRECT ERROR

WANG LABORATORIES, INC. JEWELL, MASSACHUSETTS		BY	DATE	APPROVED BY	DATE
MATERIAL		OWEN	10/1/77	W. J. FINE	
MODEL NO.		CHE		W. J. FINE	
SERIAL NO.				W. J. FINE	
FINISH		TITLE		EXPANDED MEMORY M/L	
		SCALE	1:1	DRAWING NUMBER	D 8242
		SCALE	1:1	REV	4

THIS DRAWING AND THE DATA SHOWN THERE ON ARE THE CONFIDENTIAL PROPERTY OF AND ARE PROPRIETARY TO WANG LABORATORIES, INC. THIS DRAWING AND THE DATA SHOWN THEREON MAY NOT BE MADE PUBLIC WITHOUT THE WRITTEN CONSENT OF WANG LABORATORIES, INC. IF FOR ANY REASON THIS DRAWING IS PERMITTED BY WANG TO LEAVE THE PHYSICAL CUSTODY OF THE COMPANY IT IS RETURNABLE UPON THE DEMAND OF WANG LABORATORIES, INC.



WANG WANG LABORATORIES, INC. CORP. BOSTON, MASS.		BY	DATE	APPROVED BY	DATE
MATERIAL	MODEL NO. 3242 3242	CHK		WANG ENGR.	
SEE ENG'G SPECIFICATIONS		TITLE EXPANDED MEMORY M/L			
FINISH	TOL. EA. AS NOTED R2 ± 3% R2AC ± 1% R2B R2C ± 5% R2D ± 1% R2E ± 1%	SCALE	SEE CHART D	3242	4
SCALE: 1/8" = 1"		WANG PART NUMBER	3242	DRAWING NUMBER	REV.

NO.	REVISION
1	SEE SHEET

THIS DRAWING AND THE DATA SHOWN THERE ON ARE THE CONFIDENTIAL PROPERTY OF AND ARE PROPRIETARY TO WANG LABORATORIES, INC. THIS DRAWING AND THE DATA SHOWN THEREIN MAY NOT BE REPRODUCED, COPIED, EITHER WHOLLY OR IN PART, OR TRANSMITTED IN ANY FORM OR BY ANY MEANS, WITHOUT THE WRITTEN CONSENT OF WANG LABORATORIES, INC. IF FOR ANY REASON THIS DRAWING IS REPRODUCED OR COPIED, THE PHYSICAL CUSTODY OF THE COMPANY IT IS RETURNABLE UPON THE DEMAND OF WANG LABORATORIES, INC.

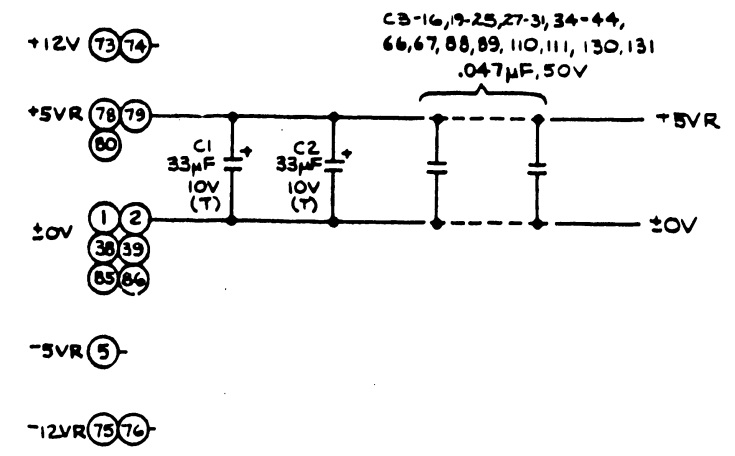
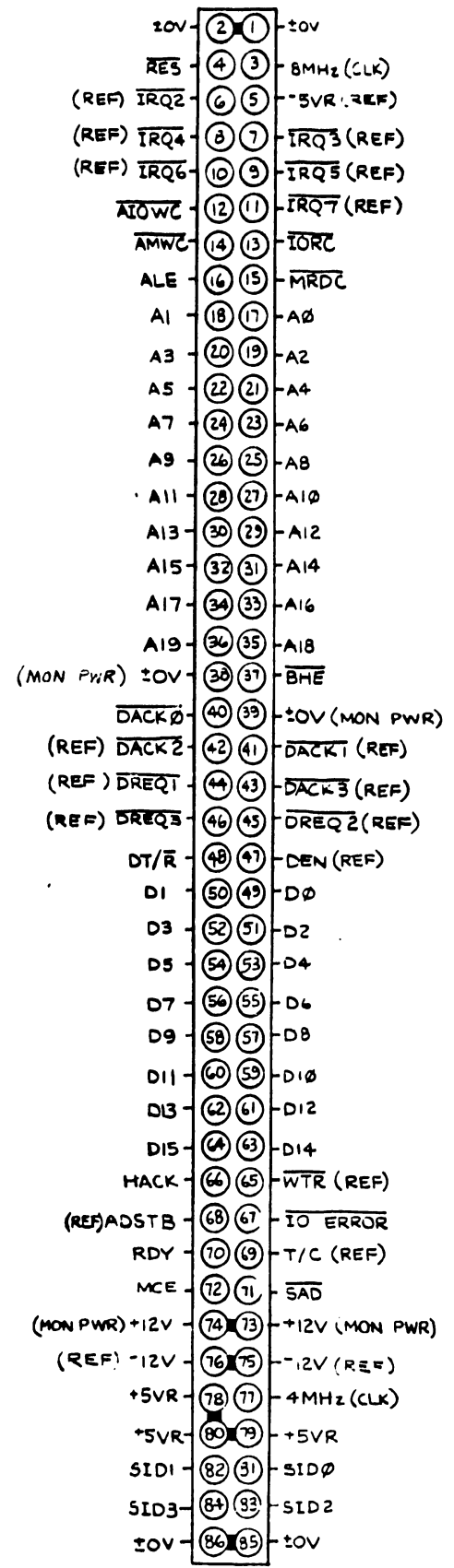
IC	LOCATION	TYPE	W.L. PART NO
L1,19		74532	376-0205
L2,11		74574	376-0202
L3		74LS153	376-0156
L4		74502	376-0199
L5-8		74585	376-0259
L9,14		74508	376-0200
L10,33		74LS00	376-0207
L12		74LS11	376-0225
L13		30N5	376-8005
L15,16,31,32,44		SPARE	
L18		74LS86	376-0231
L20,22,24,42		74LS244	376-0288
L21,23		74LS273	376-0302
L25,34,35,40,41		74500	376-0228
L26		74LS04	376-0130
L27		74LS155	376-0158
L28		74LS85	376-0218
L29,30		74LS240	376-0297
L36,39		745280	376-0246
L17		7474	376-0006
L37,38		74LS245	376-0285
L43		745112	376-0509
L45-62,65-82,85-102,105-122		4864-2	377-0417
L63,64,83,84,103,104,123,124		745158	376-0301

IC	TYPE	LOCATION	SPARES
74LS00		L33	1
74532		L1	1
74LS86		L18	2

COMPONENT	TYPE	W.L. PART NO.
R1	220Ω, 1/4W, 5%	330-2023
R2,3,4,28A,28B	2K, 1/4W, 5%	330-3021
R5	10K, 1/4W, 5%	330-4011
R5A,5B,5C	2.7K, 1/4W, 5%	330-0028
R6	1K, SIP	333-0837
R6A	33Ω, 1/4W, 5%	330-1034
R7A,15A,25A,29A,37A,45A,53A	33Ω DIP	333-0835 (SEE NOTE 2)
R36A,44A	4.7K, 1/4W, 5%	330-3048
C1,2,46,65,68,87,90,109	33μF, 10V, (T)	300-4024
C3-16,19-25,27-31,34-44,66,67,88,89,110,111,130,131	.047μF, 50V	300-1966
C47-64,69-86,91-108,112-129	.1μF, 50V	300-1930
C26	220PF 500V	300-1220
LED1	RED MV5024	370-0026
EJECTOR		465-1250
LABEL	SEE CHART	

MNEMONIC	COORD.
A0	1A11
A1-A16	5I1 1F11
A17-A19	.G6
A10WC	1B11
ALE	1D11
AMWC	1C11
BHE	1A11
D0-D15	156-159
DACK0	1A11
DT/R	1A11
HACK	1B11
IO ERROR	3B1
IORC	1B11
4MHz	1B11
8MHz	1C11

MNEMONIC	COORD.
MCE	1D11
MRDC	1C11
RDY	1A11
RES	3A11
SAD	1D11
SID3-SID3	1F11



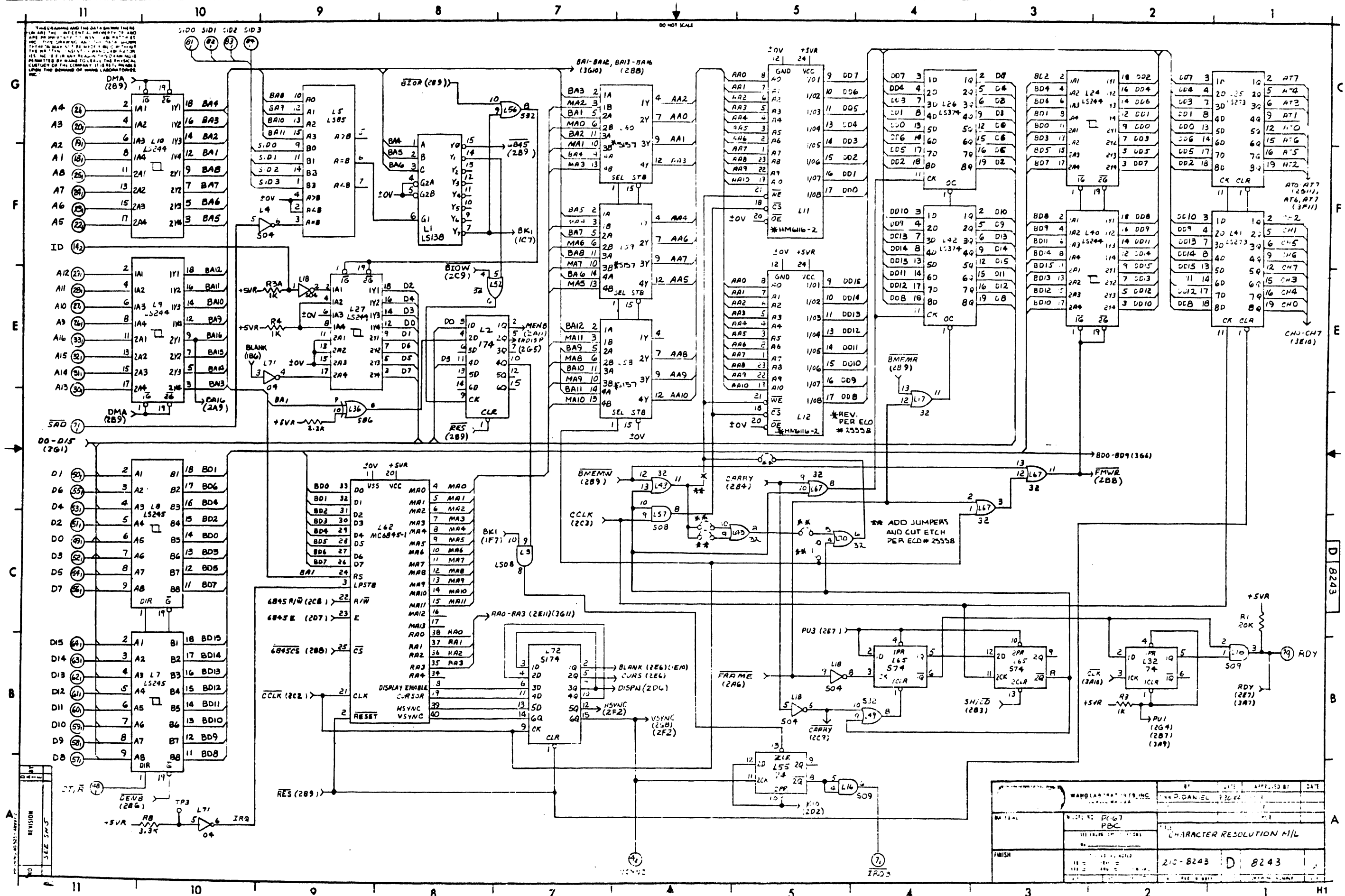
VARIATION CHART DO NOT LOAD		
8242 (128K)	8242-1 (256K)	8242-2 (512K)
L5-7,21,22,34,40,65-124	L5,6,21,22,34,40,85-124	
C68-87,90-131	C90-131	
R37A,45A,53A	R5B,45A,53A	R5A,5B,5C

	TYPE	W.L. NO.
8242	LABEL, RF SHIELD	615-2210
8242-1	LABEL, RF SHIELD	615-2211
8242-2	LABEL, RF SHIELD	615-2219

NOTES:
 * SEE VARIATION CHART
 1. ALL RESISTORS ARE 1/4W, 5% UNLESS OTHERWISE SPECIFIED.
 2. WHEN 33Ω DIP PKGS ARE NOT AVAILABLE LOAD 33Ω 1/4W 5% RESISTORS IN POSITIONS MARKED (R7-R23, R26-R60).

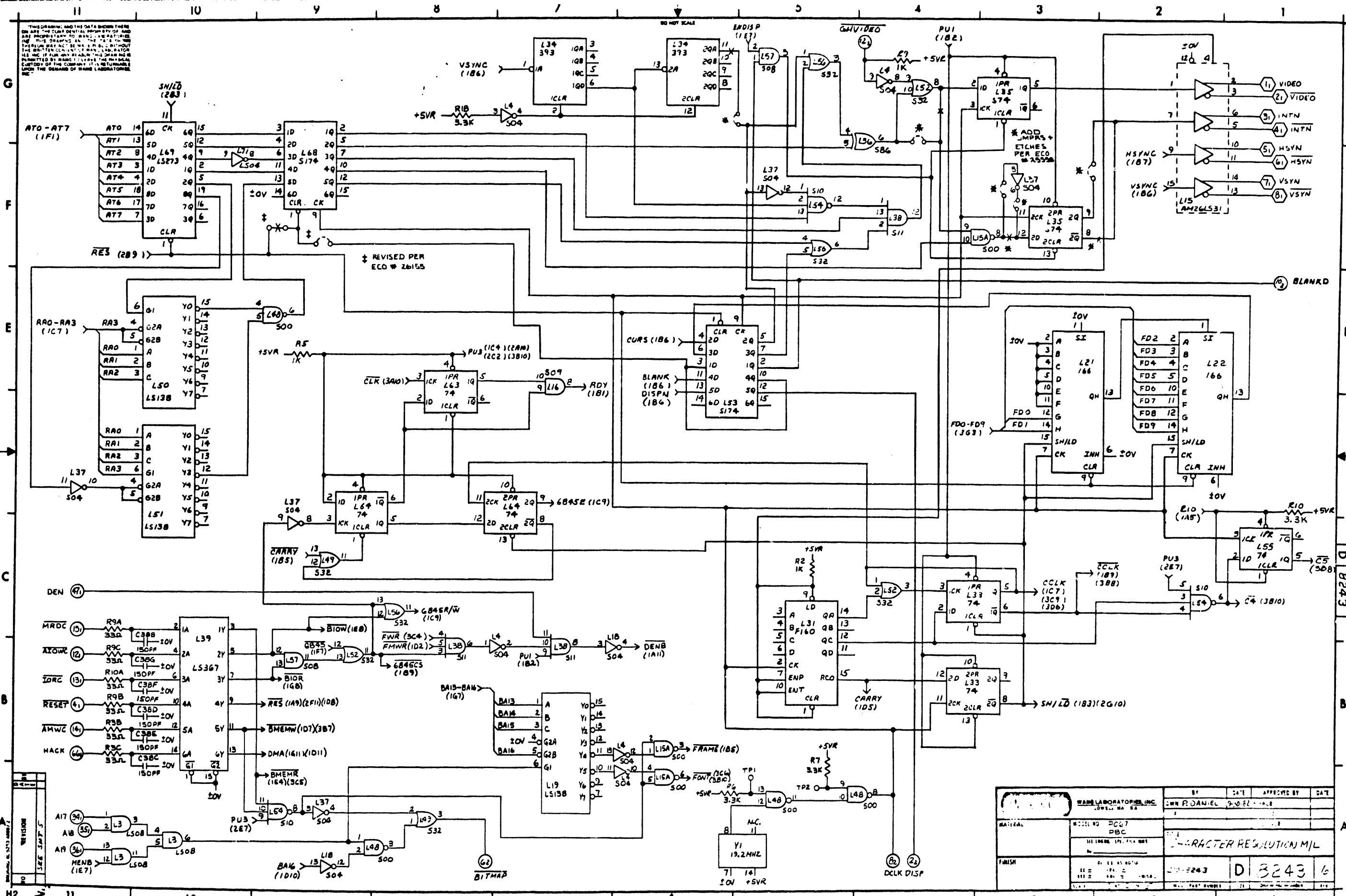
NO	REVISION	DATE	BY	APP'D
1	ORIGINATED PER LWR # E1807	1-2-83		
2	REVISED PER LCO # 45709	2-13-83		
3	APP'D: JFJ			
4	REVISED PER ECO # 5607	2-13-83		
5	APP'D: JFJ			
6	REVISED PER LWR # 28653	2-13-83		
7	APP'D: JFJ			
8	REVISED PER LWR # 4472	2-13-83		
9	APP'D: JFJ			

WANG PART NO	DRAWING NO	DESCRIPTION	BY	DATE	APPROVED BY	DATE
8242	E" REV	EXPANDED MEMORY BD M/L				
8242-1	E" REV					
8242-2	E" REV					



REVISION	DATE	APPROVED BY	DATE
1			
2			
3			
4			
5			
6			
7			
8			
9			
10			
11			

WANGLABORATORIES, INC.
 P.O. DANIEL 3306
 CHARACTER RESOLUTION MIL
 210-8243
 8243

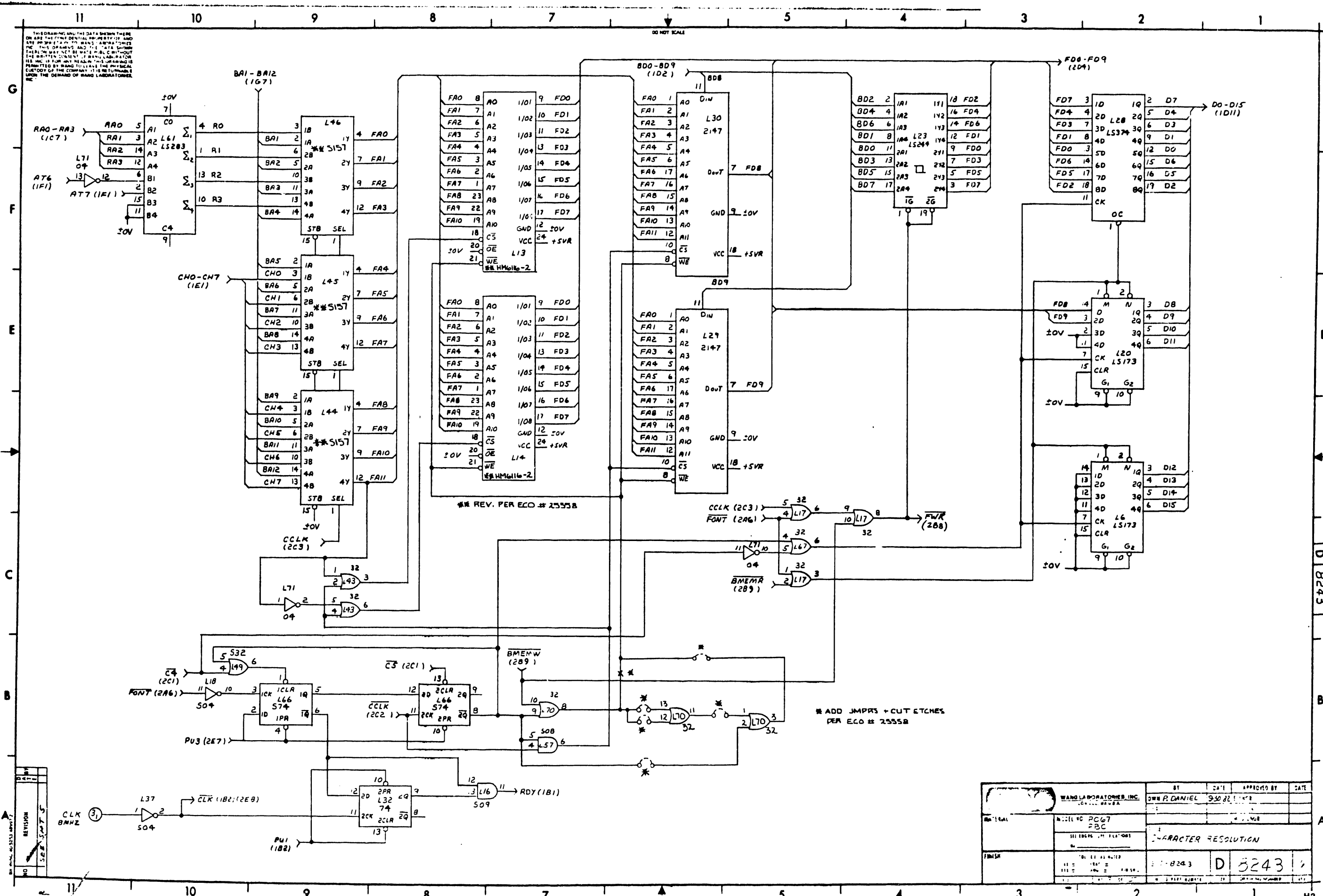


THIS DRAWING AND THE DATA SHOWN THEREON ARE THE PROPERTY OF WAM LABORATORIES, INC. AND ARE LOANED TO YOU BY WAM LABORATORIES, INC. FOR YOUR INFORMATION ONLY. YOU ARE NOT TO REPRODUCE OR TRANSMIT THIS DRAWING OR THE DATA SHOWN THEREON IN ANY MANNER WITHOUT THE WRITTEN PERMISSION OF WAM LABORATORIES, INC. IF YOU ARE AWARE THAT THIS DRAWING OR THE DATA SHOWN THEREON IS IN THE PUBLIC DOMAIN, YOU SHALL NOT BE HELD LIABLE FOR THE REPRODUCTION OR TRANSMISSION OF THIS DRAWING OR THE DATA SHOWN THEREON. WAM LABORATORIES, INC. SHALL NOT BE HELD LIABLE FOR THE REPRODUCTION OR TRANSMISSION OF THIS DRAWING OR THE DATA SHOWN THEREON.

REV	DESCRIPTION	DATE
1	INITIAL DESIGN	9-20-82
2	REVISED PER ECO # 26155	9-20-82
3	REVISED PER ECO # 26155	9-20-82
4	REVISED PER ECO # 26155	9-20-82
5	REVISED PER ECO # 26155	9-20-82

WAM LABORATORIES, INC.	BY	DATE	APPROVED BY	DATE
74155	JRN P DANIEL	9-20-82		
MATERIAL	MODEL NO. POC7 DBC			
III ENGINEERING DEPT		CHARACTER RESOLUTION M/L		
FINISH		III 11 11 11 11 11	III 11 11 11 11 11	III 11 11 11 11 11
		III 11 11 11 11 11	III 11 11 11 11 11	III 11 11 11 11 11
		III 11 11 11 11 11	III 11 11 11 11 11	III 11 11 11 11 11

THIS DRAWING AND THE DATA SHOWN THEREON ARE THE PROPERTY OF WANG LABORATORIES, INC. AND ARE NOT TO BE REPRODUCED OR TRANSMITTED IN ANY FORM OR BY ANY MEANS, ELECTRONIC OR MECHANICAL, INCLUDING PHOTOCOPYING, RECORDING, OR BY ANY INFORMATION STORAGE AND RETRIEVAL SYSTEM, WITHOUT THE WRITTEN CONSENT OF WANG LABORATORIES, INC. THE INFORMATION CONTAINED HEREIN IS UNCLASSIFIED EXCEPT WHERE SHOWN OTHERWISE. THE INFORMATION IS UNCLASSIFIED EXCEPT WHERE SHOWN OTHERWISE.



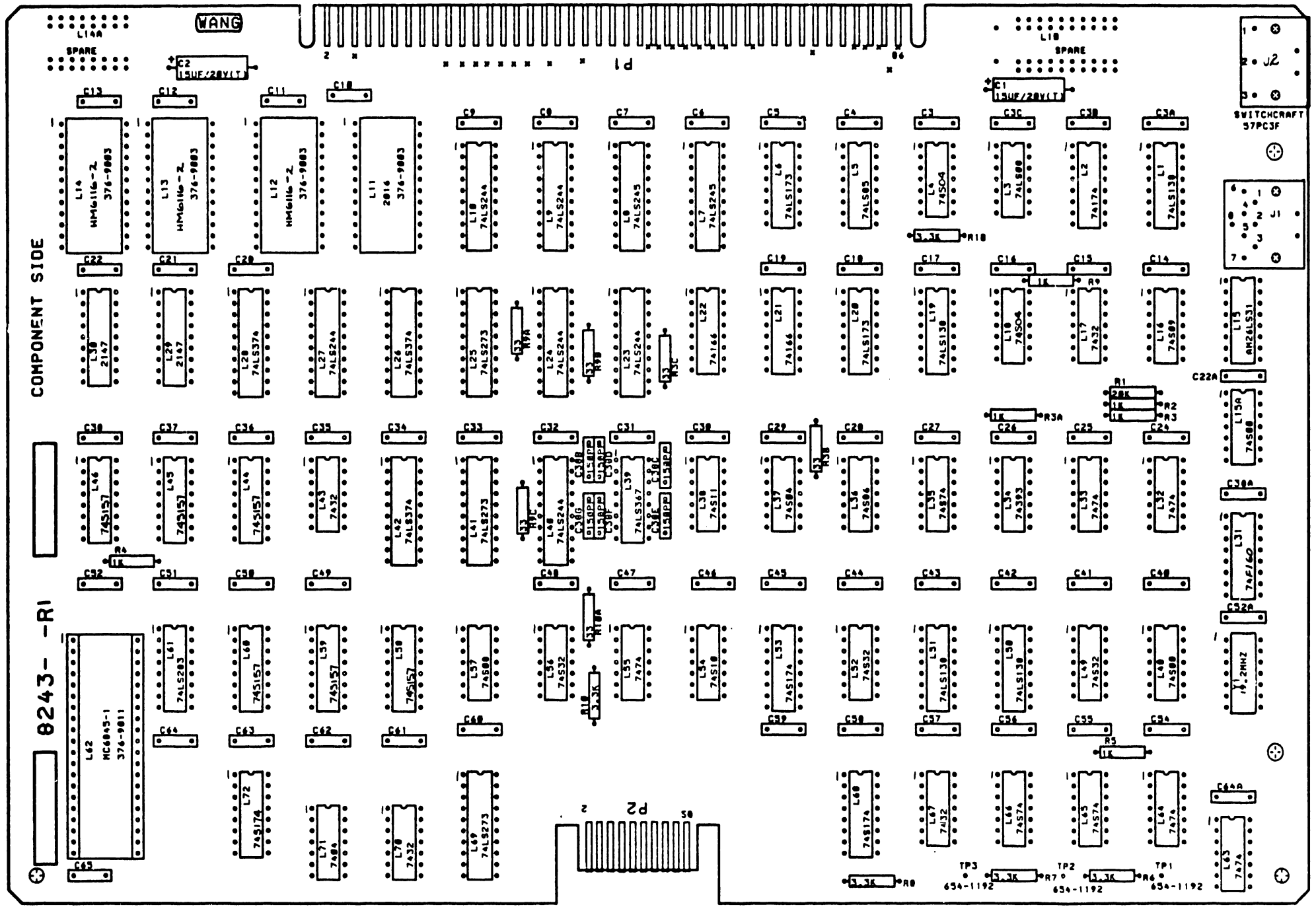
* REV. PER ECO # 2555B

* ADD JUMPS + CUT ETCHES PER ECO # 2555B

WANG LABORATORIES, INC.		BY	DATE	APPROVED BY	DATE
MODEL NO. PC67		D.W. DANIEL	9-30-82		
FINISH		CHARACTER RESOLUTION			
REV. 1		3-8243		D 5243	

THIS DRAWING AND THE DATA WITHIN THERE
 ARE THE PROPERTY OF WANG LABORATORIES
 INC. THIS DRAWING AND THE DATA WITHIN
 THEREON MAY NOT BE REPRODUCED OR
 TRANSMITTED IN ANY FORM OR BY ANY
 MEANS, ELECTRONIC OR MECHANICAL,
 INCLUDING PHOTOCOPYING, RECORDING,
 OR BY ANY INFORMATION STORAGE AND
 RETRIEVAL SYSTEM, WITHOUT THE WRITTEN
 PERMISSION OF WANG LABORATORIES
 INC. THE COMPANY IS NOT RESPONSIBLE
 FOR THE DEMAND OF WANG LABORATORIES
 INC.

DO NOT SCALE



REV	DATE	DESCRIPTION
1		ISSUE
2		REVISION

SEE SHEET 5

WANG LABORATORIES INC.		BY: DAN PDANIEL	DATE: 9-30-82	APPROVED BY:	DATE:
MATERIAL:	MODEL NO: 8243-R1	PART NO: 210-8243			
FINISH:	DATE: 9-30-82	DATE: 9-30-82			
210-8243		D	8243	1/6	

THIS DRAWING AND THE DATA SHOWN THEREON ARE THE PROPERTY OF WANG LABORATORIES, INC. AND ARE TO BE KEPT IN CONFIDENTIALITY. THE DRAWING AND THE DATA SHOWN THEREON ARE TO BE KEPT IN CONFIDENTIALITY AND NOT TO BE REPRODUCED OR TRANSMITTED IN ANY FORM OR BY ANY MEANS, ELECTRONIC OR MECHANICAL, INCLUDING PHOTOCOPYING, RECORDING, OR BY ANY INFORMATION STORAGE AND RETRIEVAL SYSTEM, WITHOUT THE WRITTEN PERMISSION OF WANG LABORATORIES, INC. IN THE EVENT OF ANY DISSEMINATION OF THIS DRAWING OR THE DATA SHOWN THEREON, THE PERSONS RESPONSIBLE THEREFOR SHALL BE HELD LIABLE TO WANG LABORATORIES, INC. FOR ALL DAMAGES AND COSTS INCURRED BY WANG LABORATORIES, INC. AS A RESULT OF SUCH DISSEMINATION. THIS DRAWING AND THE DATA SHOWN THEREON ARE TO BE KEPT IN CONFIDENTIALITY AND NOT TO BE REPRODUCED OR TRANSMITTED IN ANY FORM OR BY ANY MEANS, ELECTRONIC OR MECHANICAL, INCLUDING PHOTOCOPYING, RECORDING, OR BY ANY INFORMATION STORAGE AND RETRIEVAL SYSTEM, WITHOUT THE WRITTEN PERMISSION OF WANG LABORATORIES, INC. IN THE EVENT OF ANY DISSEMINATION OF THIS DRAWING OR THE DATA SHOWN THEREON, THE PERSONS RESPONSIBLE THEREFOR SHALL BE HELD LIABLE TO WANG LABORATORIES, INC. FOR ALL DAMAGES AND COSTS INCURRED BY WANG LABORATORIES, INC. AS A RESULT OF SUCH DISSEMINATION.

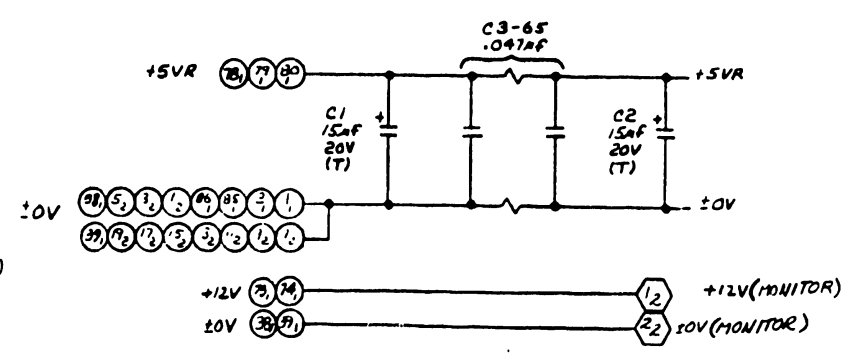
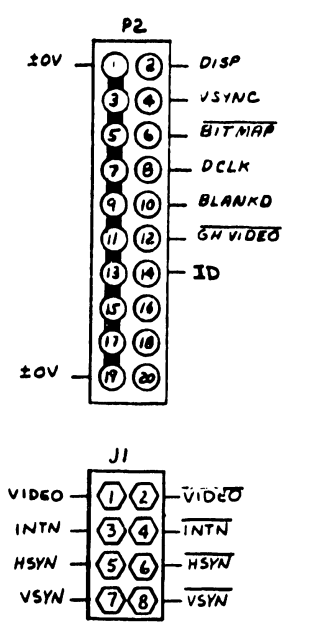
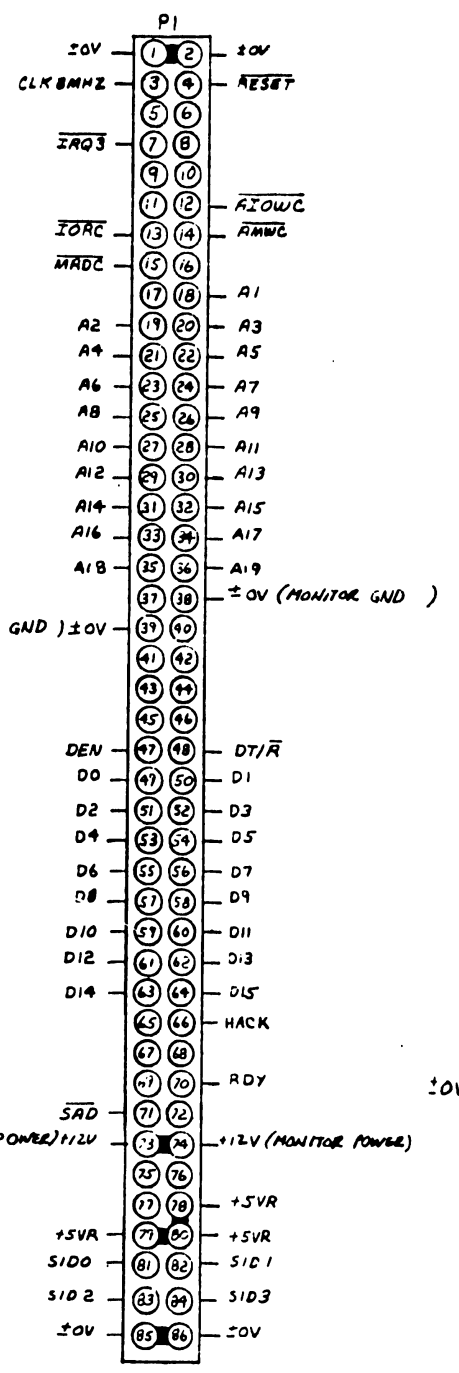
REV	DATE	BY	CHKD	DESCRIPTION
1	9-30-82
2
3
4
5
6
7
8
9
10
11

LOC. LOCATION	TYPE	WL PART NO.
L1, 19, 50, 51	74LS158	376-0294
L71	7404	376-0010
L5	74LS85	376-0218
L6, 20	74LS173	376-0289
L7, 8	74LS245	376-0285
L9, 10, 23, 24, 27, 40	74LS244	376-0288
L11-14	HMM6116-2	377-0428
L3	74LS08	376-0163
L16	74509	376-0595
L17, 43, 70	7432	376-0093
L18, 14A	SPARE	
L15	AM26LS31	376-0470
L49, 52, 56	74532	376-0205
L21, 22	74166	376-1129
L25, 41, 69	74LS273	376-0302
L26, 28, 42	74LS374	376-0286
L29, 30	2147	377-0360
L31	74F160	376-0812
L32, 33, 55, 63, 64	7474	376-0006
L34	74393	376-0330
L35, 65, 66	74574	376-0202
L36	74586	376-0271
L37, 18, 4	74504	376-0197
L38	74511	376-0237
L39	74LS367	376-0192
L44-46, 58-60	745157	375-0217
L48, 15A	74500	376-0228
L53, 68, 72	745174	376-0247
L54	74510	376-0238
L57	74508	376-0200
L61	74LS283	376-0332
L62	MC6845-1	377-0473
L2	74174	376-0098
L62	40PINSKT	376-9011

COMPONENT	TYPE	WL PART NO.
R1	20K 1/4W 5%	330-4021
R2-5, 3A, 9	1K 1/4W 5%	330-3011
R6-8, 18, 10	3.3K 1/4W 5%	330-3034
R3C, 3B, 9A, 9B, 9C, 10A, 1	33Ω 1/4W 5%	330-4034
C1, 2	15μF 20V(T)	300-4022
C3-13, 12A, 14-22, 22A, 24-28, 36A, 40-52, 52A, 54-64, 64A, 65, 3A, 3B, 3C	.047μF 50V	300-1946
C30B, 38C, 38D, 38E, 38F, 38G	150pf 500V	300-1150
Y1	19.2MHZ	321-1007
Y1	INSULATOR	376-9008
TP1-TP3	TEST POINT	654-1192

TYPE	LOCATION	SPARES
74500	LISA	1
74509	L16	1
74504	L18	1
74LS08	L3	1
7474	L63	1
74586	L36	2

MINEMONICS	COORD.
A1-A16	1G11
A17-A22	2B11
A23-A28	2B11
BITMAP	2A7
BLANKD	2B1
CLK 0MHz	3A11
DO-DIS	1D11
DCLK	2A6
DEN	2C11
DT/R	1A11
SHVIDEO	2G3
HACK	2B11
H SYNC	1A7
ID	1F11
RDY	1B1
SAD	1D11
SID0-SID3	1610
RESET	2B11
RDY	1B1
SAD	1D11
SID0-SID3	1610



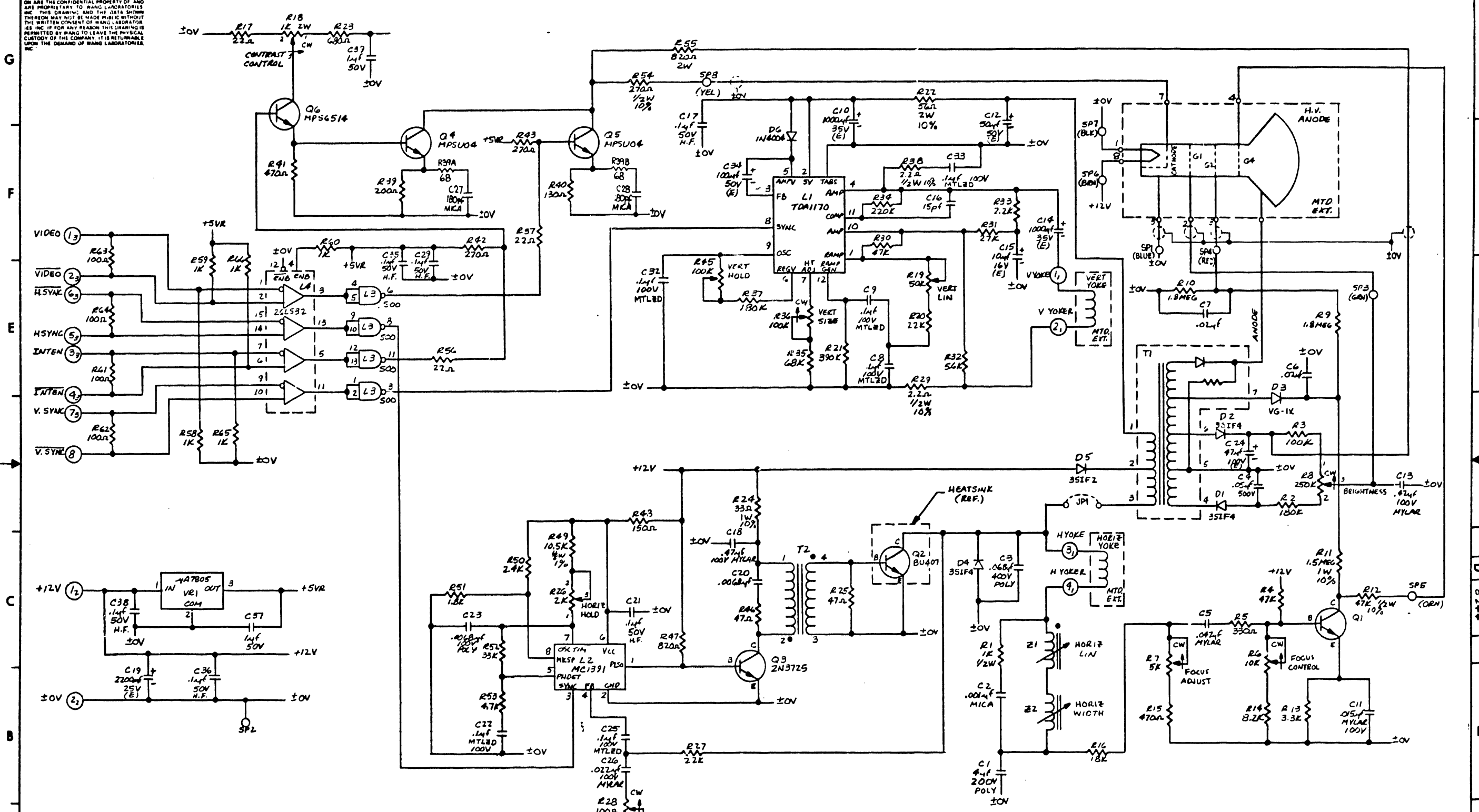
NOTE:
1. ALL RES. 1/4W 5% UNLESS OTHERWISE SPECIFIED.

E-REV
3

WANG LABORATORIES, INC.		BY: DANIEL	DATE: 9-30-82	APPROVED BY: ...
MATERIAL	4.000 NO. P067 PEC	CHARACTER RESOLUTION M/L		
FINISH	...	210-8243	D	8243

"THIS DRAWING AND THE DATA SHOWN THERE ON ARE THE CONFIDENTIAL PROPERTY OF AND ARE PROPRIETARY TO WANG LABORATORIES, INC. THIS DRAWING AND THE DATA SHOWN THEREON MAY NOT BE MADE PUBLIC WITHOUT THE WRITTEN CONSENT OF WANG LABORATORIES, INC. IF FOR ANY REASON THIS DRAWING IS PERMITTED BY WANG TO LEAVE THE PHYSICAL CUSTODY OF THIS COMPANY, IT IS RETURNABLE UPON THE DEMAND OF WANG LABORATORIES, INC."

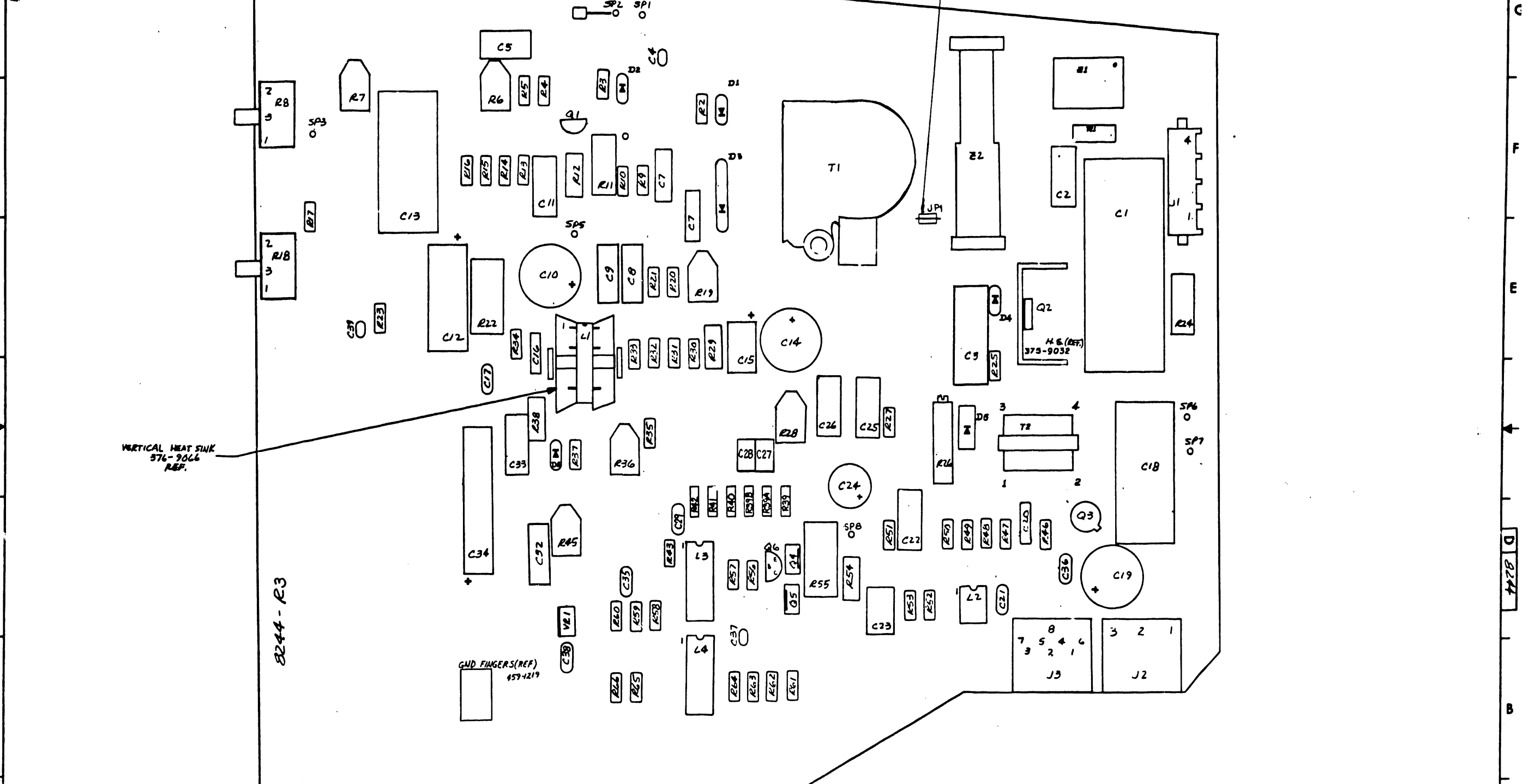
DO NOT SCALE



REV	DESCRIPTION
1	REVISION SEE SMT. 3

WANG PART NO.	DRAWING NO.	DESCRIPTION	BY	DATE	APPROVED BY	DATE
		WANG LABORATORIES, INC. DOWELL BAUSA	DWN	11/11	E ENGR	
			CH		M ENGR	
					MFG ENGR	
MATERIAL			TITLE MONITOR BOARD			
FINISH			SCALE 1/8" = 1"			
			DATE 11/14/78			
			DRAWING NUMBER 8244			
			REV 1			

THIS DRAWING AND THE DATA SHOWN THEREIN ARE THE CONFIDENTIAL PROPERTY OF AND ARE PROPRIETARY TO WANG LABORATORIES INC. THIS DRAWING AND THE DATA SHOWN THEREIN MAY NOT BE MADE PUBLIC WITHOUT THE WRITTEN CONSENT OF WANG LABORATORIES INC. IF FOR ANY REASON THIS DRAWING IS REPRODUCED BY ANY OTHER PARTY, THE REPRODUCER SHALL BE RESPONSIBLE FOR OBTAINING THE NECESSARY PERMISSION FROM WANG LABORATORIES INC.



REV	DATE	BY	DESCRIPTION
1			SEE SMT-3

WANG LABORATORIES INC. JEWELL MAN U.S.A.		BY DWN E.M.T.	DATE 11/1/72	APPROVED BY E ENGR	DATE
MATERIAL	MODEL NO POTA PBC	CHE		MTG ENGR	
SIT ENGINE SPECIFICATIONS		TITLE MONITOR BOARD			
FINISH	124 FB 01 0010 112 2 113 2 114 2 115 2 116 2 117 2 118 2 119 2 120 2 121 2 122 2 123 2 124 2 125 2 126 2 127 2 128 2 129 2 130 2 131 2 132 2 133 2 134 2 135 2 136 2 137 2 138 2 139 2 140 2 141 2 142 2 143 2 144 2 145 2 146 2 147 2 148 2 149 2 150 2 151 2 152 2 153 2 154 2 155 2 156 2 157 2 158 2 159 2 160 2 161 2 162 2 163 2 164 2 165 2 166 2 167 2 168 2 169 2 170 2 171 2 172 2 173 2 174 2 175 2 176 2 177 2 178 2 179 2 180 2 181 2 182 2 183 2 184 2 185 2 186 2 187 2 188 2 189 2 190 2 191 2 192 2 193 2 194 2 195 2 196 2 197 2 198 2 199 2 200 2	210-2244	D	3244	13
SCALE		1:1			

THIS DRAWING AND THE DATA SHOWN THERE ON ARE THE CONFIDENTIAL PROPERTY OF AND ARE PROPRIETARY TO WANG LABORATORIES, INC. THIS DRAWING AND THE DATA SHOWN THEREON MAY NOT BE MADE PUBLIC WITHOUT THE WRITTEN CONSENT OF WANG LABORATORIES, INC. IF FOR ANY REASON THIS DRAWING IS PERMITTED BY WANG TO LEAVE THE PHYSICAL CUSTODY OF THE COMPANY, IT IS RETURNABLE UPON THE DEMAND OF WANG LABORATORIES, INC.

DO NOT SCALE

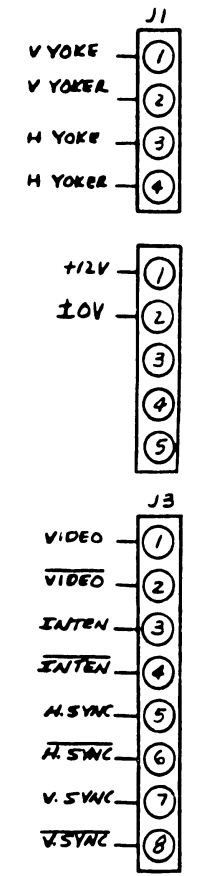
COMPONENT	TYPE	WL PART NO.
R1	1K 1/2W 5%	331-3011
R2,37	100K 1/4W 5%	330-5019
R3	100K 1/4W 5%	330-5011
R4,30	47K 1/4W 5%	331-4048
R5	330K 1/4W 5%	330-2034
R6	10K POT 1/2W	336-1067
R7	5K POT 1/2W	336-1068
R8	250K 2W POT	336-0043
R9,10	18M 1/4W 5%	330-6019
R11	15M 1W 10%	332-6015
R12	47K 1/2W 10%	331-4047
R13	3.3K 1/4W 5%	330-3034
R14	3.2K 1/4W 5%	330-3033
R15,41	470K 1/4W 5%	330-2043
R16	18K 1/4W 5%	330-4019
R17,56,57	22K 1/4W 5%	330-1023
R18	1K 2W POT	336-0042
R19	50K POT 1/2W	336-1066
R20,27	22K 1/4W 5%	330-4023
R21	330K 1/4W 5%	330-5040
R22	50K 2W 10%	331-1056
R23	680K 1/4W 5%	330-2049
R24	33K 1W 10%	332-1033
R25,46	47K 1/4W 5%	330-1042
R26	2K TRIM-5%	334-0036
R28	100K POT 1/2W	336-1067
R29,38	2.2K 1/4W 5%	330-0022
R31	27K 1/4W 5%	330-4028
R32	50K 1/4W 5%	330-3037
R33	3.2K 1/4W 5%	330-3023
R34	220K 1/4W 5%	330-5023
R35	20K 1/4W 5%	330-4049
R36,45	100K POT 1/2W	336-1065
R39	300K 1/4W 5%	330-2020
R39A,39B	68K 1/4W 5%	330-1049
R40	30K 1/4W 5%	330-2014
R42,43	270K 1/4W 5%	330-2028
R47	320K 1/4W 5%	330-2029
R48	150K 1/4W 5%	330-2016
R49	105K 1/4W 5%	330-1012
R50	2.4K 1/4W 5%	330-2025
R51	1.3K 1/4W 5%	330-3019
R52	33K 1/4W 5%	330-4034

COMPONENT	TYPE	WL PART NO.
R53	47K 1/4W 5%	330-3048
R54	270K 1/4W 5%	331-2027
R55	270K 1/4W 5%	330-2033
R58-60,65,66	1K 1/4W 5%	330-3011
R61-64	100K 1/4W 5%	330-2011
C1	4uF 200V POLY	300-2413
C2	.201uF 500V MKK	300-5038
C3	.002uF 400V POLY	300-2076
C4	.05uF 50V	300-1746
C5	.002uF 50V	300-1762
C6,7	.02uF 160V	300-1716
C8,9,22,25,32,33	.1uF 100V MKK	300-2217
C10,14	.002uF 35V(E)	300-3020
C11	.015uF 200V(E)	300-2115
C12	.50uF 50V(E)	300-3010
C13,18	.47uF 100V (M)	300-2247
C15	.10uF 16V (E)	300-3006
C16	.15uF 500V	300-1015
C17,21,29,35,36,39	.1uF 50V H.F.	300-1730
C19	.220uF 25V(E)	300-3031
C20	.0068uF 100V	300-1911
C23	.002uF 1 POLY	300-2067
C24	.47uF 100V(E)	300-3143
C26	.022uF 100V(M)	300-2122
C27,28	.15uF 50V MKK	300-1731
C34	.001uF 50V(E)	300-3052
C37,39	.1uF 50V	300-1731
VR1	4A7805	374-0001
D1,2,4	351F4	380-3010
D3	V61X	380-3009
D5	351F2	380-3012
D6	1N4004	380-4000

COMPONENT	TYPE	WL PART NO.
Q1	78CVW-150V	375-1143
Q2	BU407	375-1057
Q3	2N3725	375-1027
Q4,5	MPS304	375-1056
Q6	MPS4514	375-1062
T1	FLY BACK	410-0238
T2	KFMR DRIVER	410-1006
Z1	ADJUSTABLE	320-0107
Z2	WIDTH	320-0353
J1	4PIN CONN.	350-0215
J2	5PIN CONN.	350-0539
J3	8PIN CONN.	350-0542
JP1	19 GA BUS WIRE	300-3018
REF.	SLEEVING	605-0002
REF.	POT BRACKET	451-4125 AB
REF.	CRT GND STRIP	458-1219
REF.	HEAT SHRINK .1FT	605-0123
REF.	HEAT SHRINK .1FT	605-0123
REF.	20 GA WIRE .1FT	600-4027
REF.	BRAID TUBULAR 432 ID .7083 FT	420-0091
REF.	FLAT BRAID 1/2 WIDE .9166 FT	420-0074

I.C. LOCATION	TYPE	WL PART NO.
L1	7DA1170	376-0552
L2	M41391	376-0578
L3	74500	376-0278
L4	266532	376-0471

MNEMONIC	COORD.
H SYNC	1E11
H SYNC	1E11
H YOKE	1C4
H YOKE	1C4
INTEN	1E11
INTEN	1E11
VIDEO	1F11
VIDEO	1E11
V SYNC	1D11
V SYNC	1D11
V YOKE	1E4
V YOKE	1E4

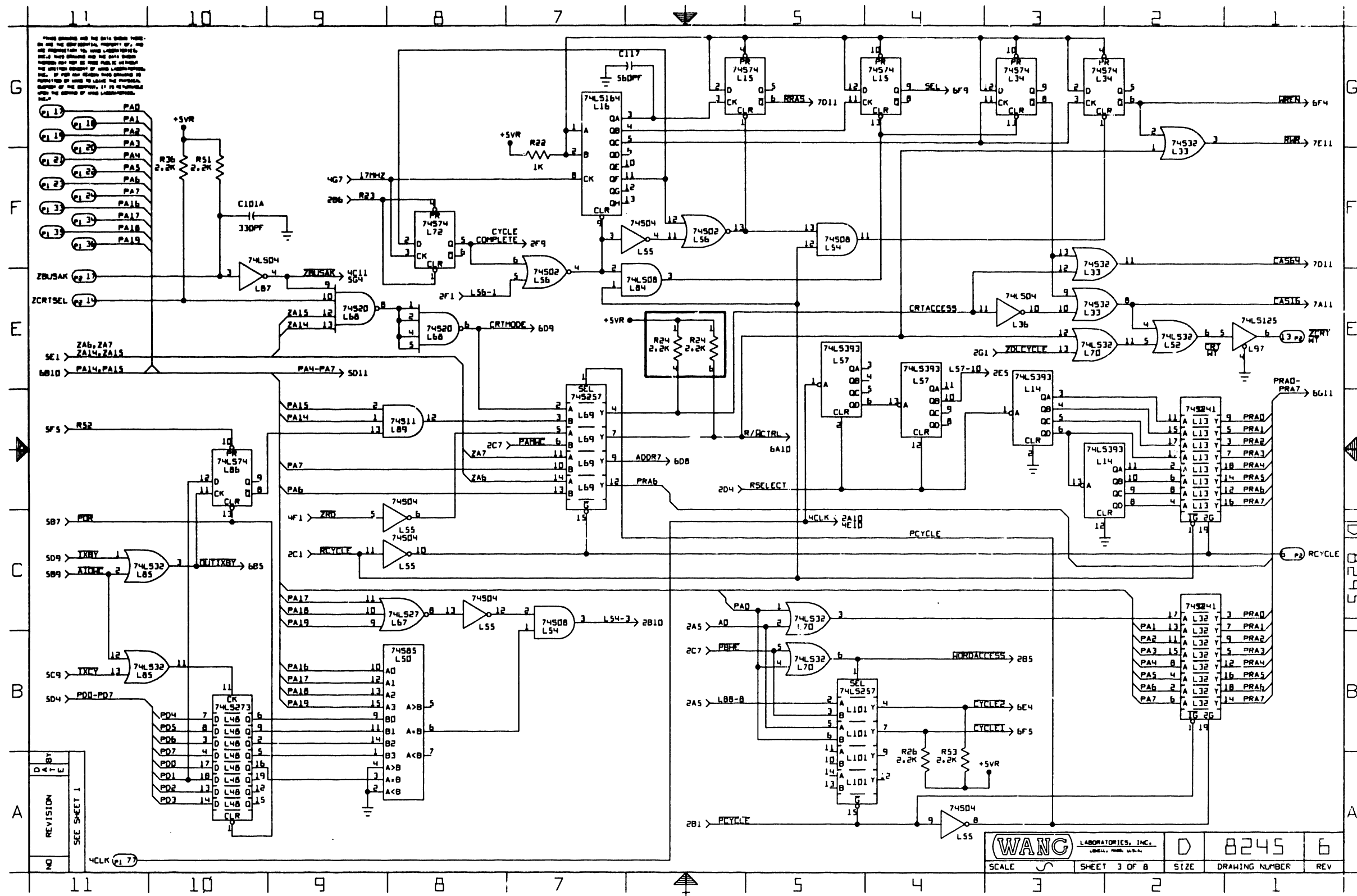


NOTE: 1. ALL RES ARE 1/4W 5% UNLESS OTHERWISE SPECIFIED.

E-REV
4

NO	REVISION	DATE	BY	CHKD	APP'D	DESCRIPTION
1	ORIGINATED FOR DWG 266532	11/10/74
2	REVISED PER APP'D 266532	11/10/74
3	REVISED PER APP'D 266532	11/10/74
4	REVISED PER APP'D 266532	11/10/74
5	REVISED PER APP'D 266532	11/10/74
6	REVISED PER APP'D 266532	11/10/74
7	REVISED PER APP'D 266532	11/10/74
8	REVISED PER APP'D 266532	11/10/74
9	REVISED PER APP'D 266532	11/10/74
10	REVISED PER APP'D 266532	11/10/74

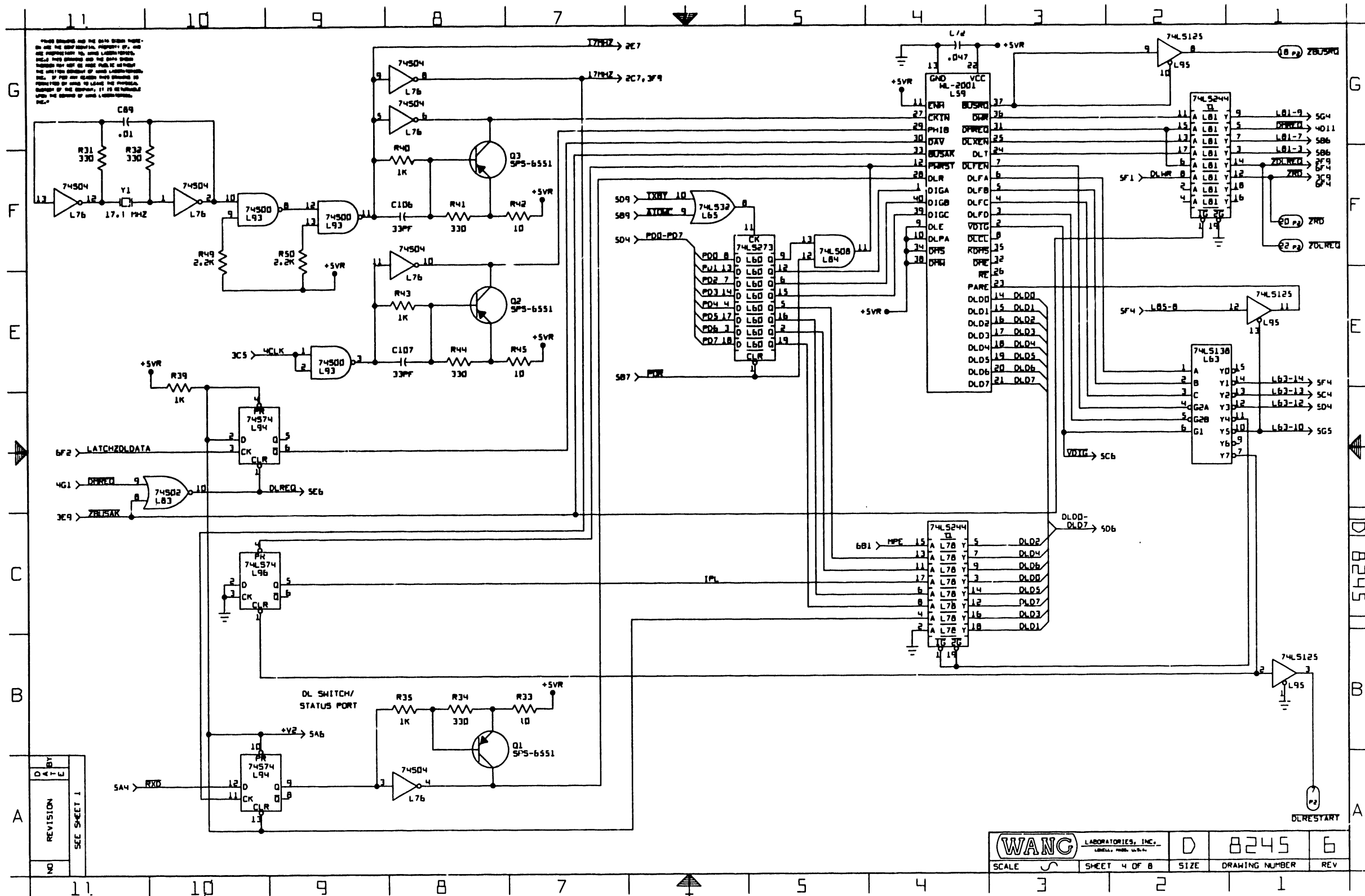
WANG PART NO.	DRAWING NO.	DESCRIPTION	BY	DATE	APPROVED BY	DATE
266532	266532	MONITOR EVAL
MATERIAL		MODEL NO. 266532	TITLE MONITOR EVAL			
FINISH		TO: SA, AS, NO, 10	SCALE 1:1			



These drawings and the data herein represent the design of the equipment, and are not intended to be used as a basis for the construction of the equipment. The equipment shall be constructed in accordance with the specifications and drawings of the equipment, and shall be tested and accepted in accordance with the specifications of the equipment. It is the responsibility of the customer to verify the accuracy of the data herein.

NO	REVISION
1	4CLK (P1 7)
2	
3	
4	
5	
6	
7	
8	
9	
10	
11	

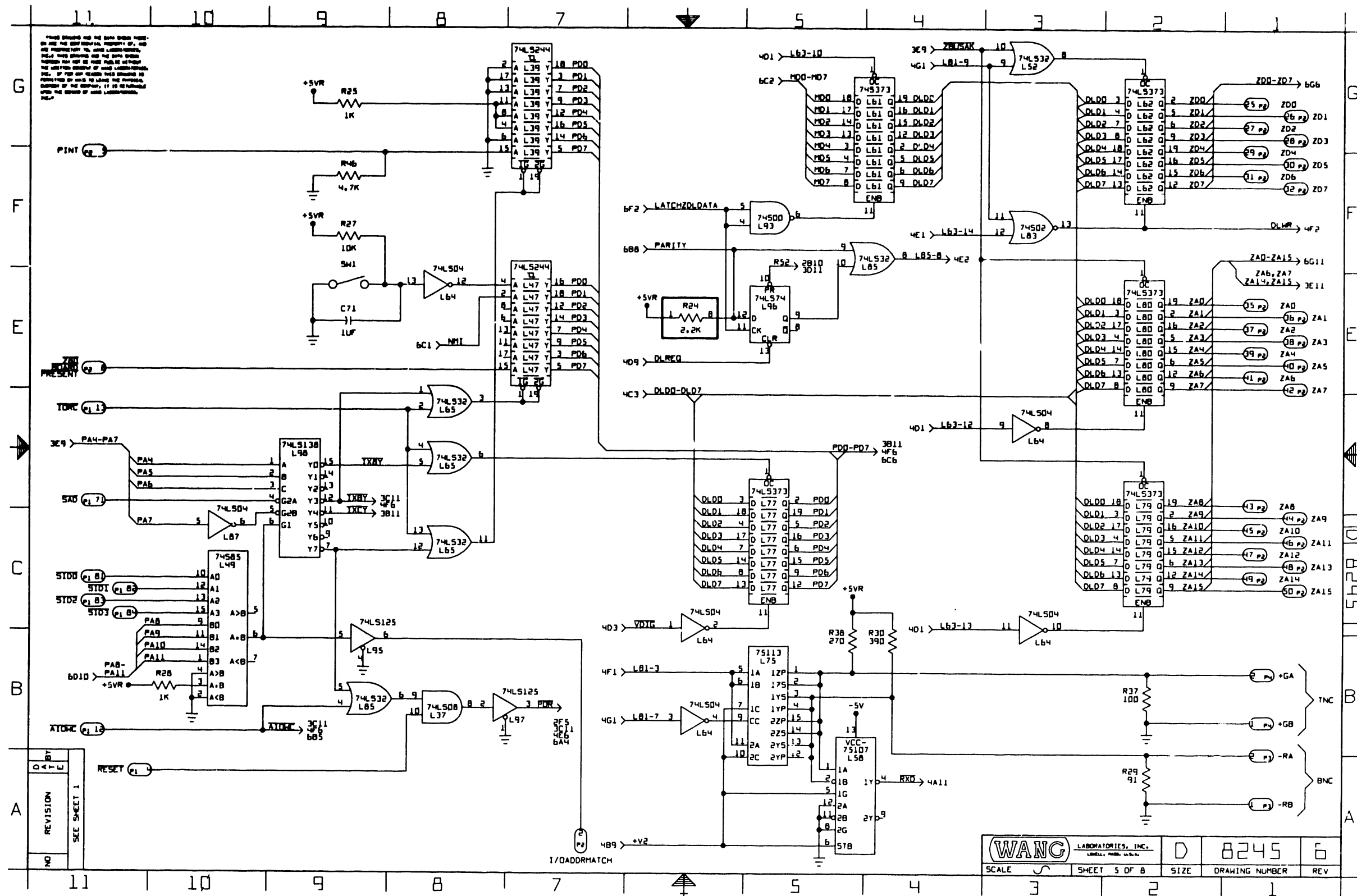
WANG	LABORATORIES, INC.	D	8245	6
SCALE	SHEET 3 OF 8	SIZE	DRAWING NUMBER	REV



THIS CIRCUIT AND THE DATA SHEET HEREON ARE THE PROPERTY OF WANG LABORATORIES, INC. AND ARE NOT TO BE REPRODUCED OR TRANSMITTED IN ANY FORM OR BY ANY MEANS, ELECTRONIC OR MECHANICAL, INCLUDING PHOTOCOPYING, RECORDING, OR BY ANY INFORMATION STORAGE AND RETRIEVAL SYSTEM. THE INFORMATION CONTAINED HEREIN IS UNCLASSIFIED EXCEPT WHERE SHOWN OTHERWISE. DATE: 11/80 BY: [signature] FOR: [signature]

NO	REVISION	BY	DATE
	SEE SHEET 1		

WANG LABORATORIES, INC.		D	8245	6
SCALE	SHEET 4 OF 8	SIZE	DRAWING NUMBER	REV

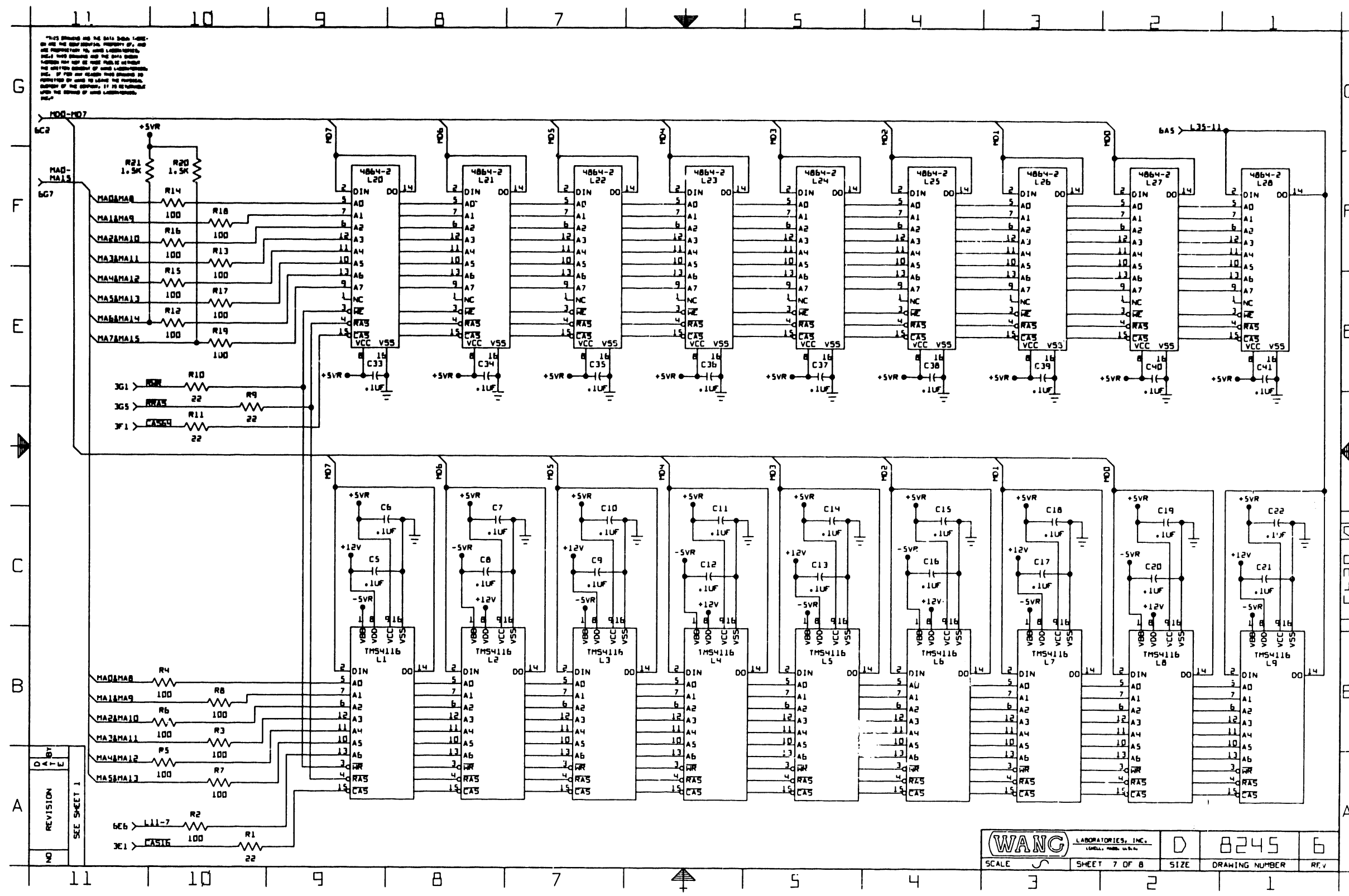


PLEASE REMEMBER AND THE DATA SHEET MUST BE USED TO DETERMINE THE LOGIC OF THE CIRCUIT. THE LOGIC OF THE CIRCUIT IS NOT TO BE TAKEN AS A GUIDE TO THE LOGIC OF THE CIRCUIT. THE LOGIC OF THE CIRCUIT IS NOT TO BE TAKEN AS A GUIDE TO THE LOGIC OF THE CIRCUIT.

NO	REVISION

SEE SHEET 1

SCALE	SHEET 5 OF 8	SIZE	DRAWING NUMBER	REV
			8245	6



NO	REVISION	BY	DATE

SEE SHEET 1

		D	8245	6
SCALE	SHEET 7 OF 8	SIZE	DRAWING NUMBER	REV

THIS DRAWING AND THE DATA HEREON ARE THE PROPERTY OF WANG LABORATORIES, INC. AND ARE LOANED TO YOU BY WANG LABORATORIES, INC. FOR YOUR INFORMATION AND USE ONLY. YOU ARE NOT TO REPRODUCE OR TRANSMIT THIS DRAWING OR THE DATA HEREON IN ANY MANNER OR BY ANY MEANS, ELECTRONIC OR MECHANICAL, INCLUDING PHOTOCOPYING, RECORDING, OR BY ANY INFORMATION STORAGE AND RETRIEVAL SYSTEM, WITHOUT THE WRITTEN PERMISSION OF WANG LABORATORIES, INC. IF YOU ARE A CONTRACTOR OR SUBCONTRACTOR, YOU ARE TO MAINTAIN THE CONFIDENTIALITY OF THIS DRAWING AND THE DATA HEREON AS IF THEY WERE YOUR OWN. IT IS UNLAWFUL TO REPRODUCE OR TRANSMIT THIS DRAWING OR THE DATA HEREON TO ANY OTHER PARTY.

IC LOCATION	TYPE	W.L. PART NO.
L1-L9	7MS4116-20JL	377-0345
L20-L28	4864-2	377-0417
L10-L12, L29-L31, L69	745257	376-0131
L13, L32, L38	745241	376-0506
L14, L57	745393	376-0307
L15, L34, L72-L74, L88, L90, L91, L94, L99	74574	376-0202
L16	745164	376-0236
L17, L67	74527	376-0245
L18, L51, L93	74500	376-0228
L19, L86, L96	74574	376-0155
L33, L100	74532	376-0205
L35, L95, L97	745125	376-0486
L36, L64, L87	74504	376-0180
L37, L84	74508	376-0153
L39, L44, L47, L78, L81	745244	376-0288
L40, L41, L45	745374	376-0286
L42, L43, L101	745257	376-0204
L46	745280	376-0246
L48, L60	745273	376-0302

IC LOCATION	TYPE	W.L. PART NO.
L49, L50	74585	376-0259
L52, L53, L65, L70, L85	74532	376-0211
L54, L71	74508	376-0200
L55, L76	74504	376-0197
L56, L83	74502	376-0199
L58	75107	376-0146
L59	2001	397-0508
L61	745373	376-0306
L62, L77, L79, L80	745373	376-0310
L63, L98	745138	376-0294
L66	74505	376-0555
L68	74520	376-0230
L75	75113	376-0256
L82	74586	376-0231
L89	74511	376-0237
L92, L102-L104	SPARE	

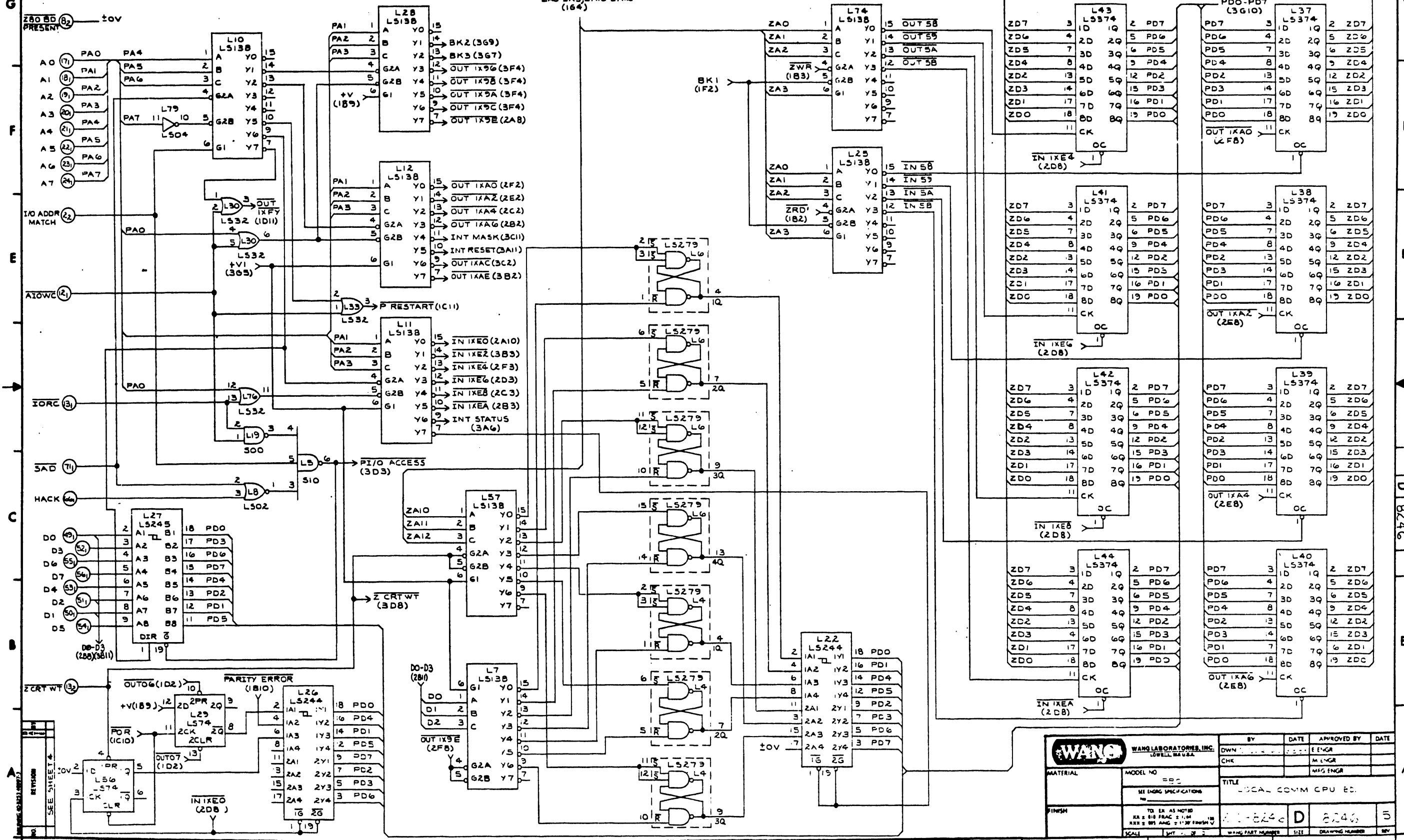
COMPONENT	TYPE	W.L. PART NO.	QTY
C1-C4	100UF 20V (T)	300-4067	4
C5-C22, C33-C41	.1UF 50V	300-1930	27
C23-C32, C42-C70, C72-C88, C90-C105, C108-C116	.047UF 50V	300-1966	91
C71	1UF 35V 10% C89	300-4110	1
	.01UF 25V	300-1903	1
C101A	330PF	300-1834	1
C106, C107	33PF 500V	300-1033	2
C117	560PF 10% 500V	300-1560	1
R1, R9-R11	22 1/4W 5%	330-1023	4
R2-R8, R12-R19, R37	100 1/4W 5%	330-2011	16
R20, R21	1.5K 1/4W 5%	330-3016	2
R22, R23, R25, R28, R35, R39, R40, R43, R48, R52	1K 1/4W 5%	330-3011	10
R24	2.2K 51P	333-0806	1
R26, R36, R47, R49, R50, R51, R53	2.2K 1/4W 5%	330-3023	7
R27	10K 1/4W 5%	330-4011	1
R29	91 1/4W 5%	330-1092	1
R30	390 1/4W 5%	330-2040	1
R31, R32, R34, R41, R44	330 1/4W 5%	330-2034	5
R33, R42, R45	10 1/4W 5%	330-1011	3
R38	270 1/4W 5%	330-2028	1
R46	4.7K 1/4W 5%	330-3048	1
L59	40 PIN SKT	376-9011	1
J3	CONN BNC	350-1036	1
J4	CONN TNC	350-2078	1
Q1-Q3	SPS 6551	375-1050	3
SW1		325-0040	1
Y1	17.1 MHZ	321-0018	1
	CONN TNC	350-2078	1
	CONN BNC	350-1036	1
	GND LUG	654-1011	2
	R. F. SHIELD	458-3086	1
	SCREW 3/8" 6-32	650-3120	2
	NUT 6-32	652-0032	2
	EXTRACTOR	449-0707	1
	ROLL PIN	651-1547	1
	EJECTOR	465-1250	1
	22GA BLACK WIRE	600-1000	1
	22GA RED WIRE	600-1002	1

- NOTES
1. ALL RESISTOR VALUES IN OHMS.
 2. ALL CAPACITOR VALUES IN MICROFARADS UNLESS OTHERWISE INDICATED.
 3. ALL RESISTORS 1/4W 5% UNLESS OTHERWISE INDICATED.

NO	REVISION	DATE
	SEE SHEET 1	

WANG LABORATORIES, INC. LITTLE ROCK, ARK. U.S.A.		SCHEMATIC DIAGRAM	
TITLE PC LOCAL COMM DL BD			
MODEL NUMBER P67A PBC	WANG PART NUMBER 210-8245	OWN JSH CHK	ENG WK DIR
SCALE $\frac{1}{8}$		SHEET 8 OF 8	SIZE 8245 6
DRAWING NUMBER		REV	

THIS DRAWING AND THE DATA SHOWN THEREIN ARE THE CONFIDENTIAL PROPERTY OF WANG LABORATORIES, INC. AND SHOULD NOT BE MADE PUBLIC WITHOUT THE WRITTEN CONSENT OF WANG LABORATORIES, INC. IF FOR ANY REASON THIS DRAWING IS REPRODUCED OR COPIED IN ANY MANNER, THE REPRODUCER OR COPIER SHALL BE RESPONSIBLE FOR OBTAINING THE NECESSARY PERMISSION FROM THE BOARD OF WANG LABORATORIES, INC.

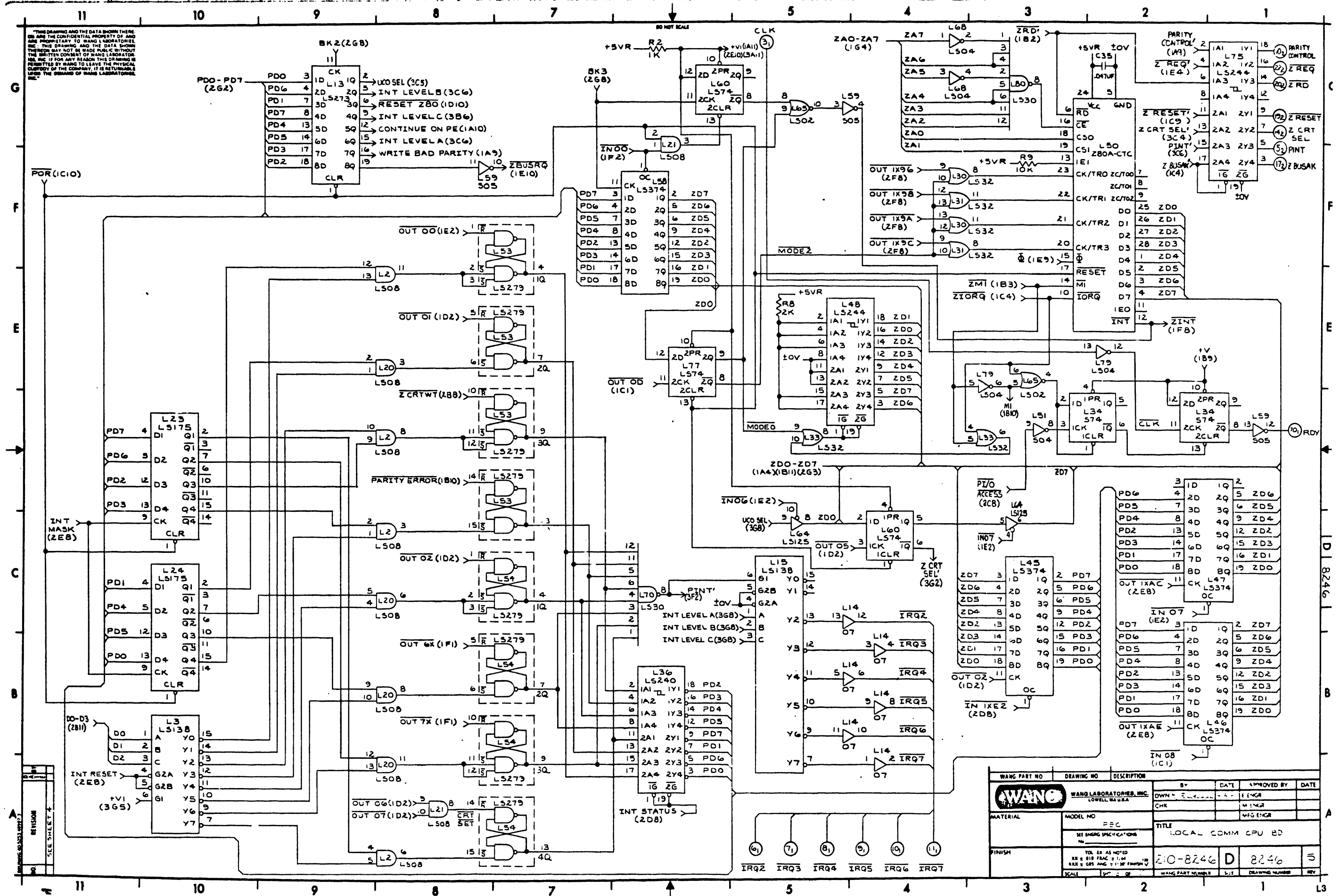


G
F
E
C
B
A

11 10 9 8 7 6 5 4 3 2 1

WANG WANG LABORATORIES, INC. LOWELL, MASSACHUSETTS		BY	DATE	APPROVED BY	DATE
MATERIAL	MODEL NO. 800	CHK			
SEE ENG'G SPECIFICATIONS		TITLE			
FINISH		LOCAL COMM CPU ED.			
TO EX. AS NOTED		D 8246			
EX & B18 FRAC. 2.14" IN		5			
RHS & B18 ANG. 2.14" FINISH		D 8246			
SCALE		DRAWING NUMBER			

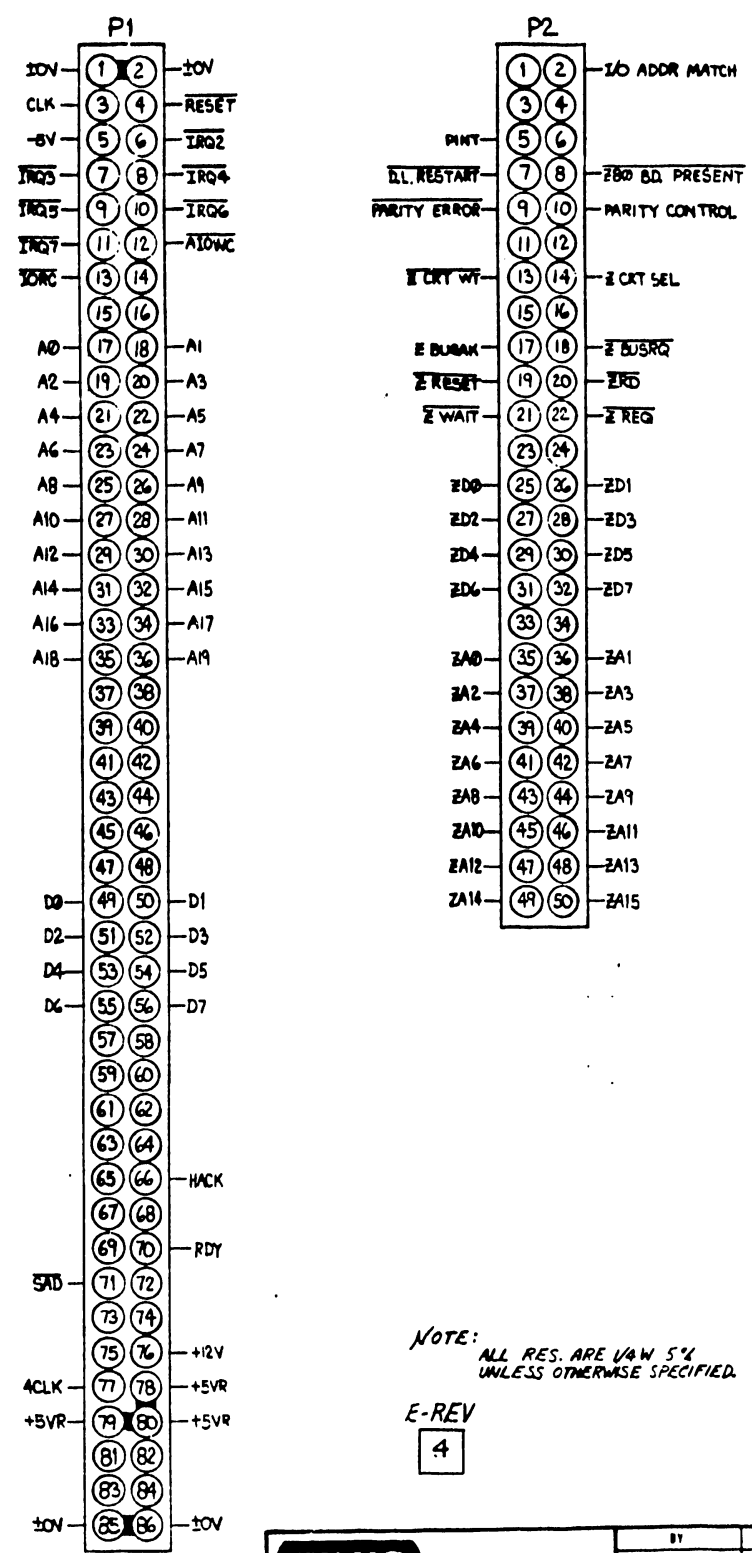
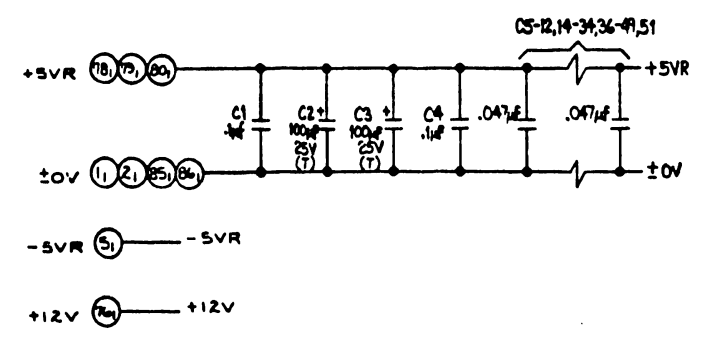
THIS DRAWING AND THE DATA SHOWN THEREON ARE THE CONFIDENTIAL PROPERTY OF AND ARE PROPRIETARY TO WANG LABORATORIES, INC. THIS DRAWING AND THE DATA SHOWN THEREON MAY NOT BE MADE PUBLIC WITHOUT THE WRITTEN CONSENT OF WANG LABORATORIES, INC. IF FOR ANY REASON THIS DRAWING IS REPRODUCED BY ANY OTHER PARTY, IT IS RETURNABLE TO WANG LABORATORIES, INC.



WANG PART NO.	DRAWING NO.	DESCRIPTION	BY	DATE	APPROVED BY	DATE
			OWN		ENGR	
			CHK		ENGR	
					ENGR	
MATERIAL		MODEL NO.	TITLE			
		SEE ENG'G SPECIFICATIONS	LOCAL COMM CPU BD			
FINISH		TOL. IS AS NOTED	SCALE			
		MAX. 2.00 FRAC. ± 0.01	2:0-8246 D 8246 5			
		MAX. 2.00 ANG. ± 1.00 FINISH	SCALE 1/8" = 1"			
			WANG PART NUMBER S-1 DRAWING NUMBER REV			

THIS DRAWING AND THE DATA SHOWN THEREIN ARE THE CONFIDENTIAL PROPERTY OF WANG AND PROPRIETARY TO WANG LABORATORIES, INC. THE DRAWING AND THE DATA SHOWN THEREIN MAY NOT BE MADE PUBLIC WITHOUT THE WRITTEN CONSENT OF WANG LABORATORIES, INC. IF FOR ANY REASON THIS DRAWING IS PERMITTED BY WANG TO LEAVE THE PHYSICAL POSSESSION OF THE COMPANY, IT IS HEREBY UNDERSTOOD THAT THE RIGHTS OF WANG LABORATORIES, INC. ARE RESERVED.

MNEMONICS	COORD	I.C. TYPE	LOCATION	SPARES
AD-A7	2F11	74S00	L19	3
AIOWC	2E11	74LS02	L8	3
CLK	3G5	74LS04	L68	4
DB-D7	2C11	74S04	L51	2
DL RESTART	1B11	74S05	L59	3
DT/R	2B11	74LS08	L21	1
HACK	2C11		L78	2
I/O ADDR MATCH	2E11	74S10	L5	2
IGRC	2D11	74S11	L16	2
IRG2-IRG7	3A5	74LS27	L32	2
		74LS32	L33	1
			L72	2
PARITY CONTROL	3F1	74LS74	L56	1
PARITY ERROR	1B11			
PINT	3G1	9602	L9	1
RDY	3D1	74LS125	L64	1
RESET	1C11			
SPARE			L1,17,18,35,52,55,61	



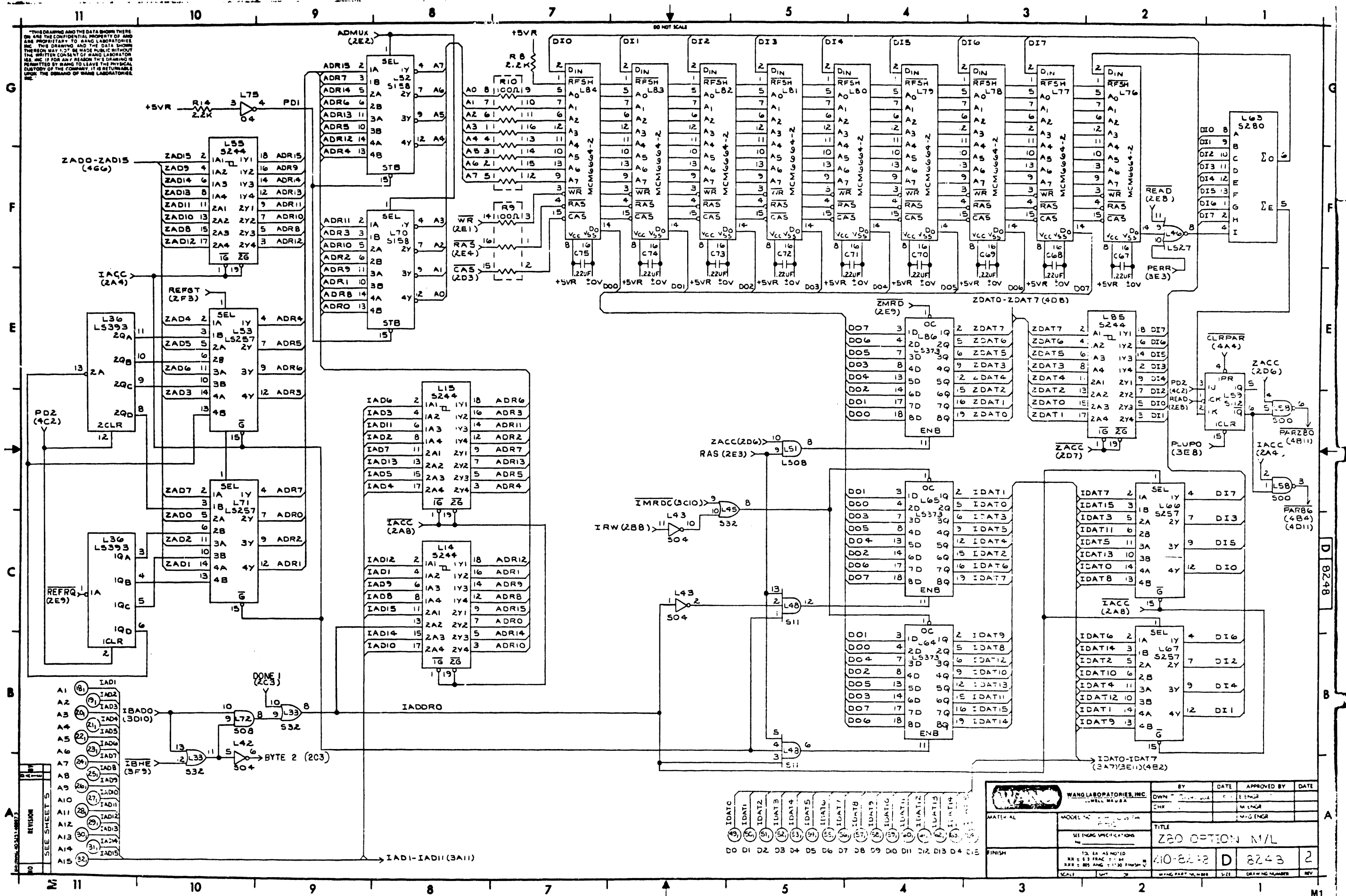
NOTE: ALL RES. ARE 1/4W 5% UNLESS OTHERWISE SPECIFIED.

E-REV
4

REV	DATE	BY	DESCRIPTION
1	3-8-83
2	4-2-83
3	4-20-83
4	5-5-83
5	7-22-83

WANG WANG LABORATORIES, INC. LOWELL, MASS.		BY	DATE	APPROVED BY	DATE
MATERIAL	MODEL NO. F=C	DWN	...	E ENGR	...
FINISH	SEE ENG'G SPECIFICATIONS	M ENGR	...
TITLE LOCAL COMM CPU ED.		20-8246		D	8246
SCALE		SHEET 1 OF 3		WANG PART NUMBER	SIZE

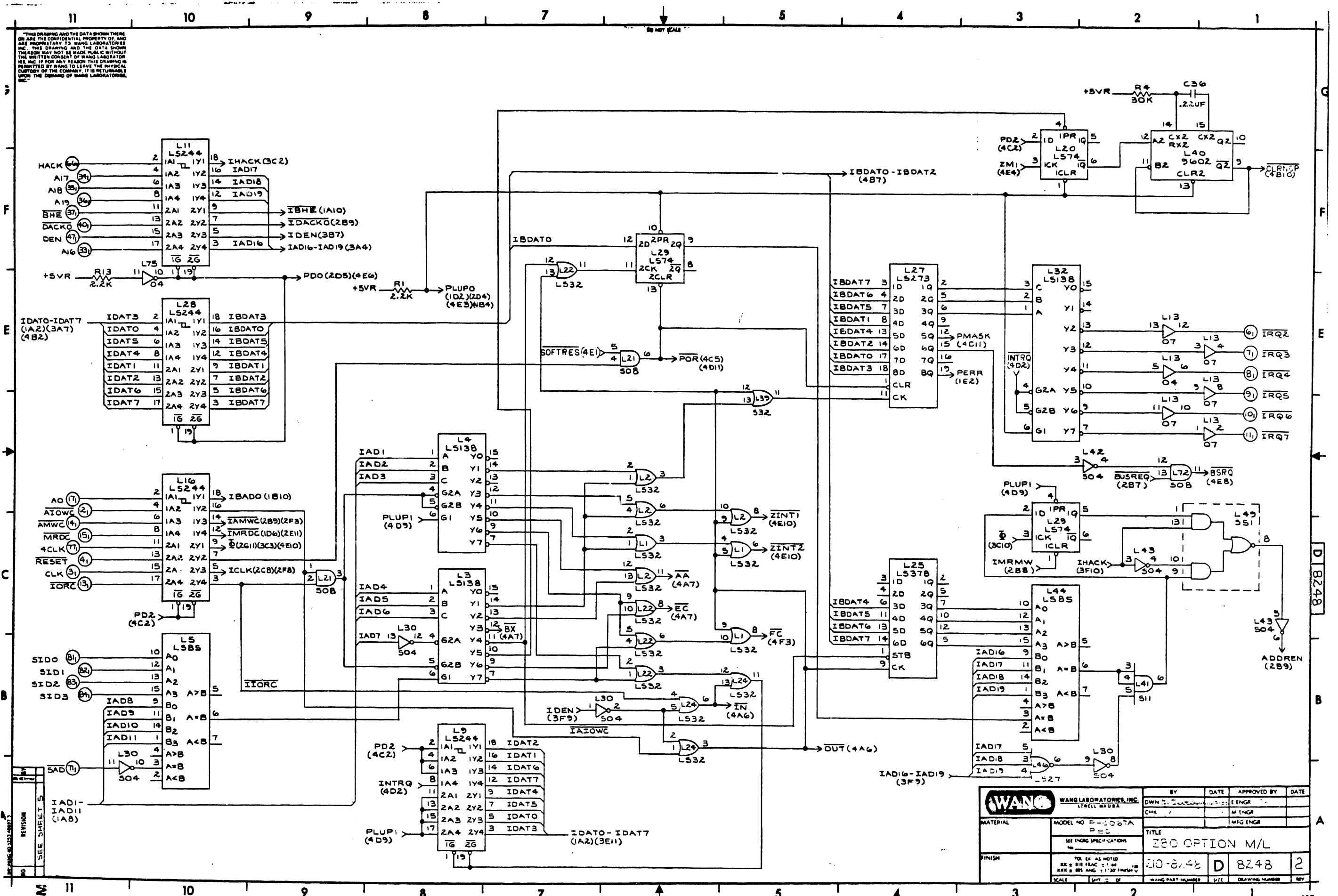
THIS DRAWING AND THE DATA SHOWN THEREON ARE THE CONFIDENTIAL PROPERTY OF AND ARE PROPRIETARY TO WANG LABORATORIES, INC. THE DRAWING AND THE DATA SHOWN THEREON MAY NOT BE MADE PUBLIC WITHOUT THE WRITTEN CONSENT OF WANG LABORATORIES, INC. IF FOR ANY REASON THIS DRAWING IS REPRODUCED BY WANG TO LEAVE THE PHYSICAL CUSTODY OF THE COMPANY, IT IS RETURNABLE UNDER THE DEMAND OF WANG LABORATORIES, INC.



WANG LABORATORIES, INC. LAWRENCEVILLE, GA 30043		BY	DATE	APPROVED BY	DATE
MODEL NO. 720-8243		DWN		E ENGR	
SERIAL NO. 10000000000000000000		CHK		M ENGR	
TITLE		Z80 OPTION M/L			
DRAWING NUMBER		40-8243			
SCALE		D 8243			
REV		2			

REV	DESCRIPTION
1	ISSUE FOR FAB
2	ISSUE FOR FAB
3	ISSUE FOR FAB
4	ISSUE FOR FAB
5	ISSUE FOR FAB
6	ISSUE FOR FAB
7	ISSUE FOR FAB
8	ISSUE FOR FAB
9	ISSUE FOR FAB
10	ISSUE FOR FAB
11	ISSUE FOR FAB

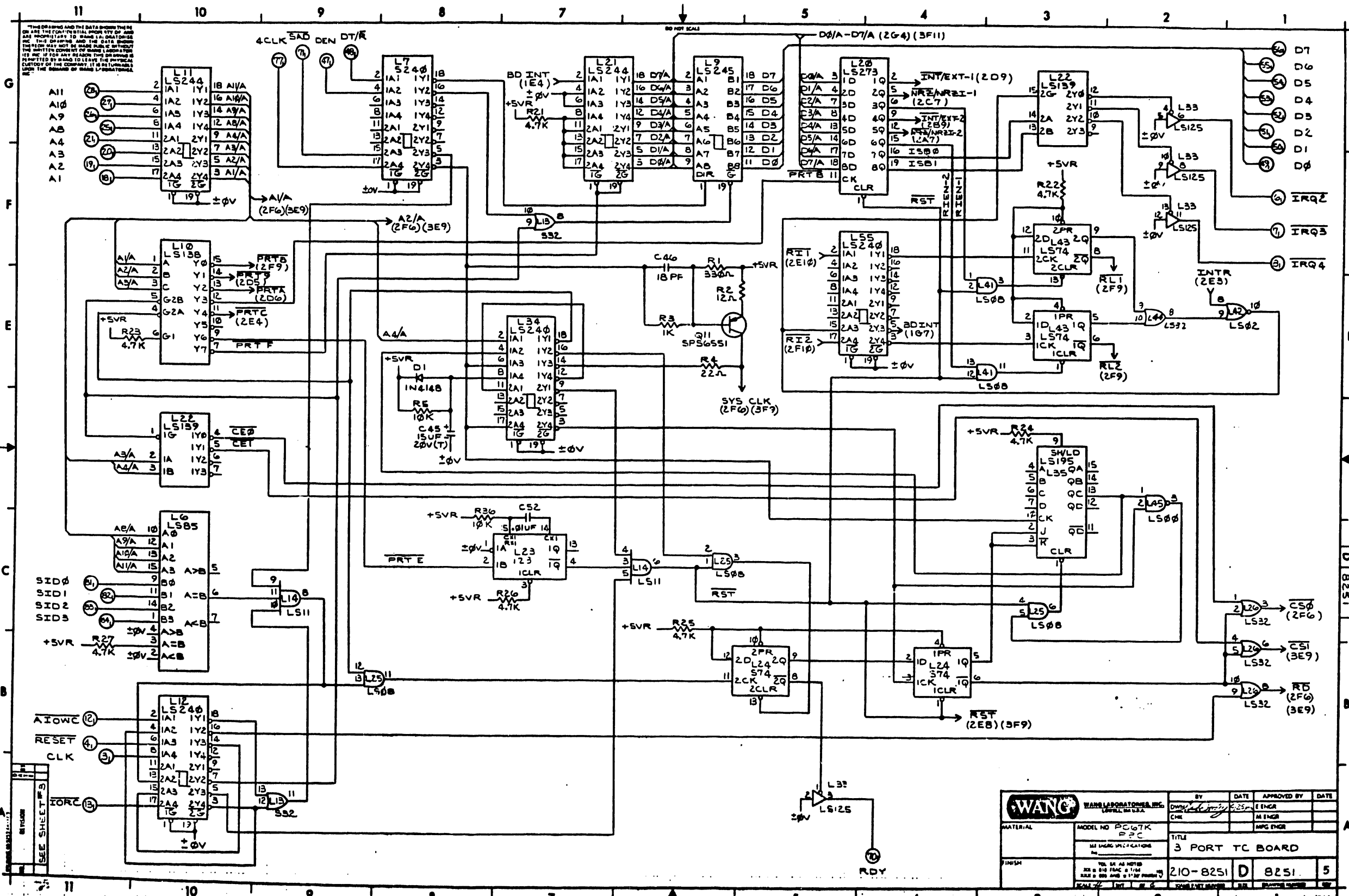
THIS DRAWING AND THE DATA SHOWN THERE
 ARE THE CONFIDENTIAL PROPERTY OF AND
 PROPRIETARY TO WANG LABORATORIES
 INC. THIS DRAWING AND THE DATA SHOWN
 THEREIN MAY NOT BE MADE PUBLIC WITHOUT
 THE WRITTEN CONSENT OF WANG LABORATORIES
 INC. IF FOR ANY REASON THIS DRAWING IS
 PERMITTED BY WANG TO LEAVE THE PHYSICAL
 CUSTODY OF THE COMPANY, IT IS RETURNABLE
 UPON THE DEMAND OF WANG LABORATORIES,
 INC.



REV	DESCRIPTION
1	ISSUE
2	REVISION
3	SEE SHEET 5

WANG WANG LABORATORIES, INC. LEWEL MAUSA		BY	DATE	APPROVED BY	DATE
MATERIAL		CHK		E ENGR	
MODEL NO. P-10007A P-10007A				M ENGR	
SEE ENGR SPECIFICATIONS				MFG ENGR	
TITLE		Z80 OPTION M/L			
FINISH		D 8248			
YD LE AS NOTED		210-8748			
X1 = 1/8" FRAC 2:1 OR 1/16"		D 8248			
X2 = 1/16" FRAC 1:1 OR 1/32" FRAC 1:2		2			
SCALE		WANG PART NUMBER			
SHEET 2 OF 2		DRAWING NUMBER			

22
11
11
58
8.5
11
17
22

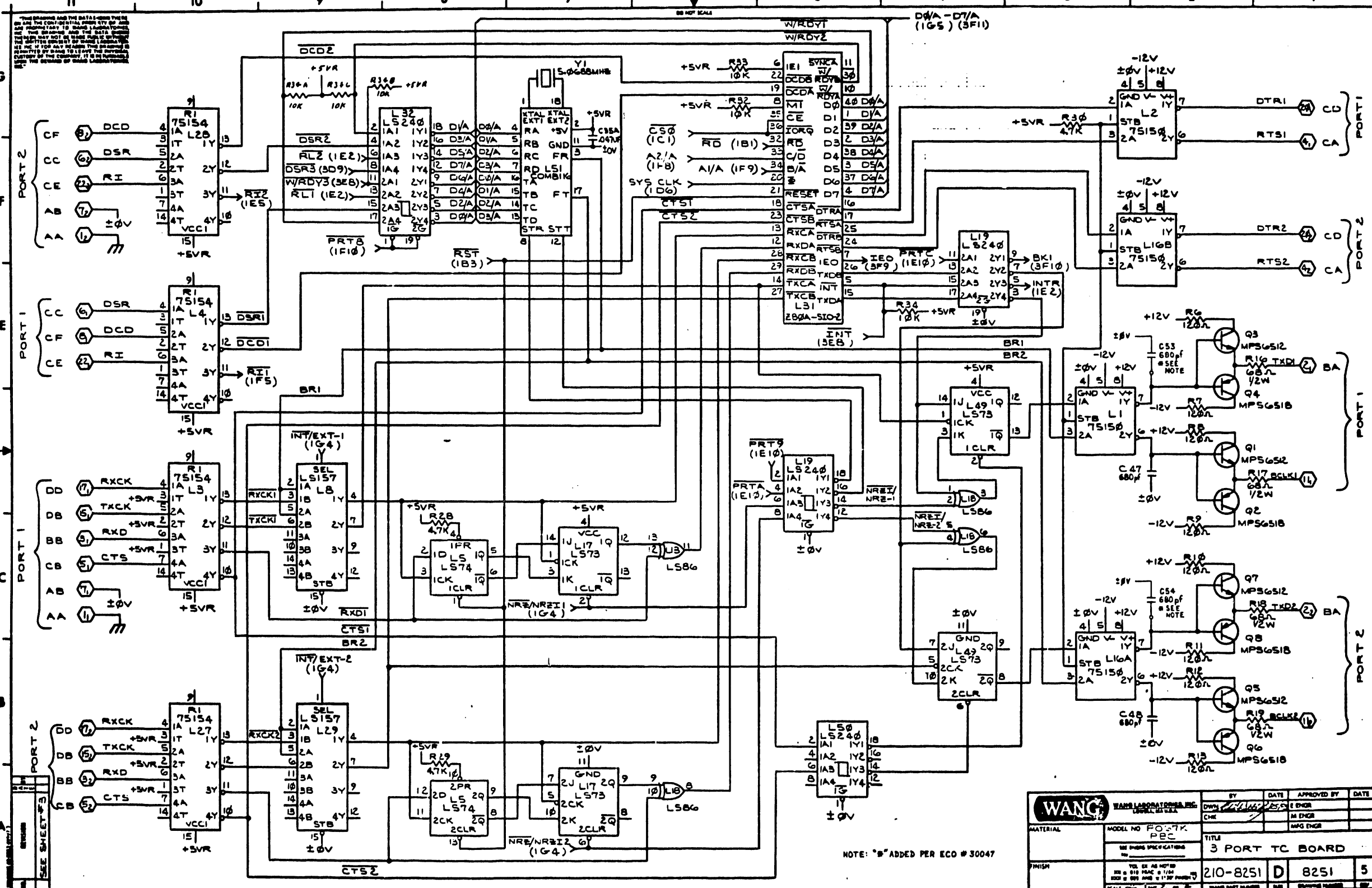


22
11
11
58
8.5
11
17
22

WANG WANG LABORATORIES, INC. LITTLE ROCK, AR, U.S.A.		BY: <i>[Signature]</i>	DATE: <i>[Date]</i>	APPROVED BY: <i>[Signature]</i>	DATE: <i>[Date]</i>
MATERIAL:	MODEL NO: PC67K PC	CHK: <i>[Signature]</i>	CHK: <i>[Signature]</i>	CHK: <i>[Signature]</i>	CHK: <i>[Signature]</i>
TITLE: 3 PORT TC BOARD					
PART NO: 210-8251					
REV: 5					

22" 17" 11" 8.5" 11" 17" 22"

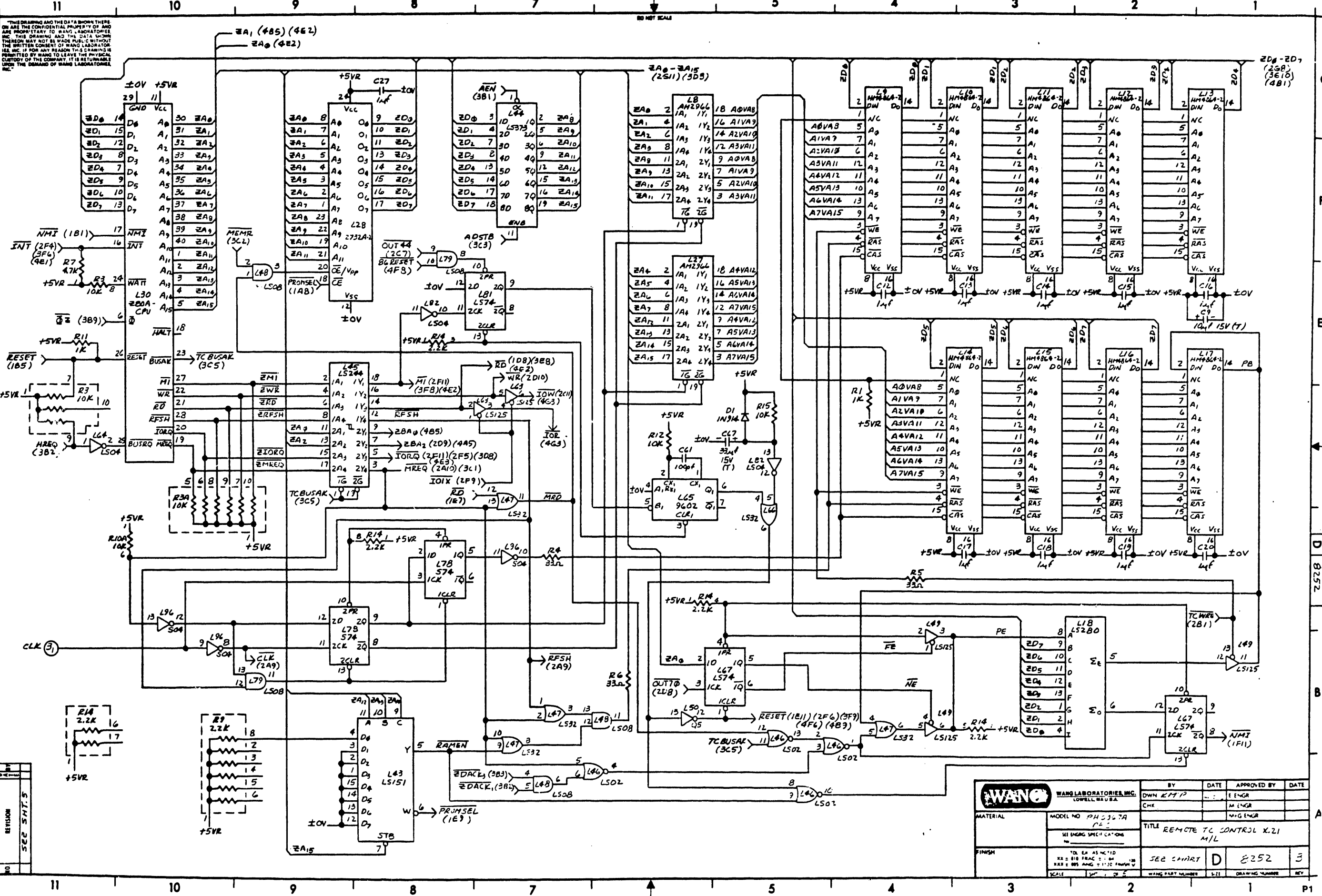
22" 17" 11" 8.5" 11" 17" 22"



Read the notes and the data sheets for the components used in this circuit. The manufacturer's data sheets should be consulted for the correct pin connections and electrical characteristics. The manufacturer's data sheets may not be available in your country. If you are unable to obtain the data sheets, contact the manufacturer for the correct information.

NOTE: *B* ADDED PER ECO # 30047

WANG WANG LABORATORIES INC.		BY	DATE	APPROVED BY	DATE
MATERIAL	MODEL NO. PORTK	OWN	2/11/75	ENG	
FINISH	PEC	CHK		M ENGR	
TITL		3 PORT TC BOARD			
210-8251		D	8251	5	

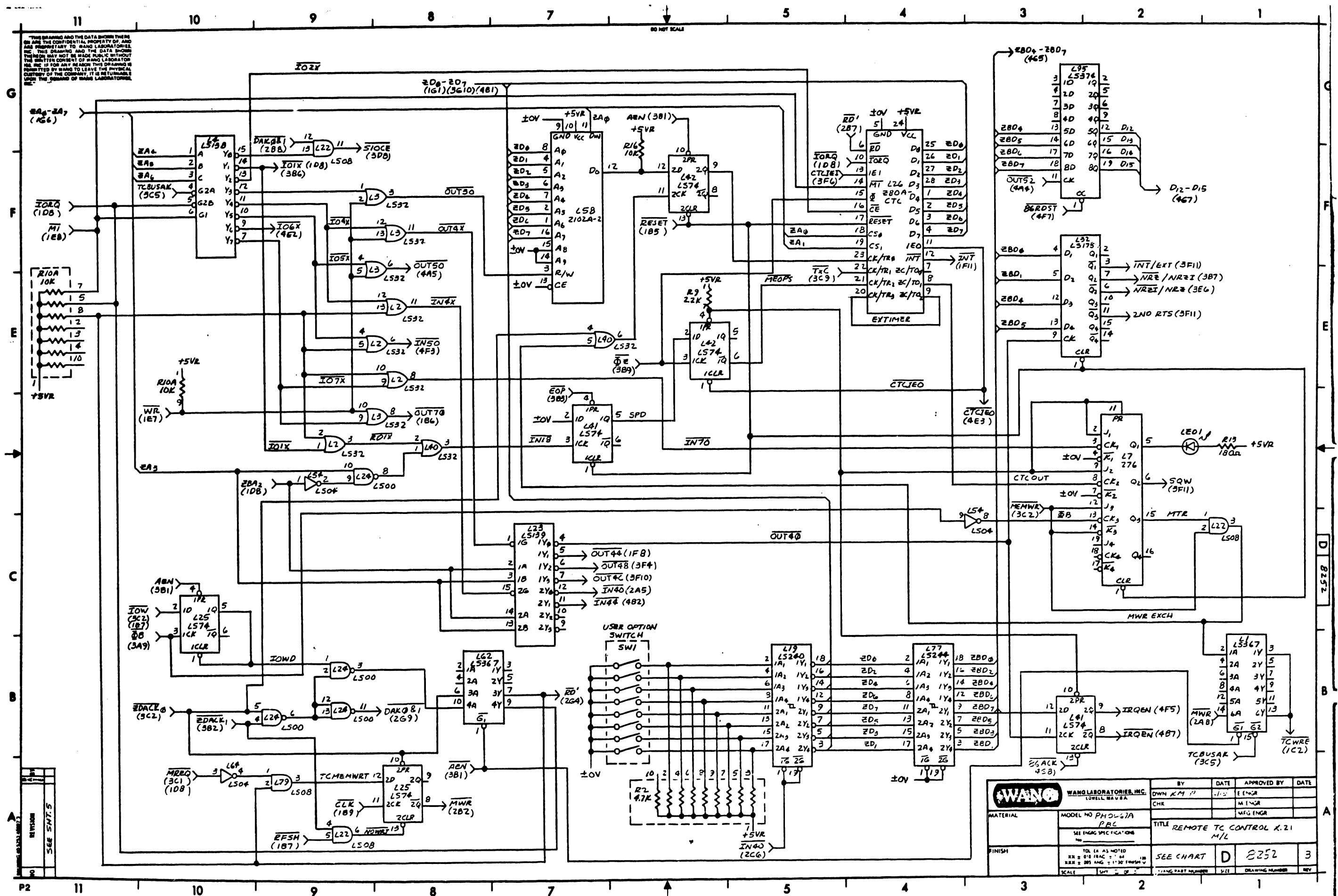


THIS DRAWING AND THE DATA SHOWN THEREON ARE THE CONFIDENTIAL PROPERTY OF AND ARE PROPRIETARY TO WANG LABORATORIES, INC. THIS DRAWING AND THE DATA SHOWN THEREON MAY NOT BE MADE PUBLIC WITHOUT THE WRITTEN CONSENT OF WANG LABORATORIES, INC. IF FOR ANY REASON THIS DRAWING IS PERMITTED BY WANG TO LEAVE THE PHYSICAL CUSTODY OF THE COMPANY, IT IS RETURNABLE UPON THE DEMAND OF WANG LABORATORIES, INC.

REV	DESCRIPTION
1	SEE SMT. 5

WANG WANG LABORATORIES, INC. LOWELL, MASS. 01455		BY	DATE	APPROVED BY	DATE
MATERIAL	MODEL NO. PH-367A REV. 10-78 SEE DRAWING SPECIFICATIONS	DWN KFP	...	E ENGR	
FINISH	TOL. EX. AS NOTED FRAC. = 1/16 UNLESS OTHERWISE SPECIFIED DIMENSIONS ARE IN INCHES UNLESS OTHERWISE SPECIFIED	CHK		M ENGR	
	TITLE REMOTE TC CONTROL X.21 M/L			MFG ENGR	
	SCALE 1/8" = 1"	SEE SMT. 5	D	E 252	3
		WANG PART NUMBER	521	DRAWING NUMBER	...

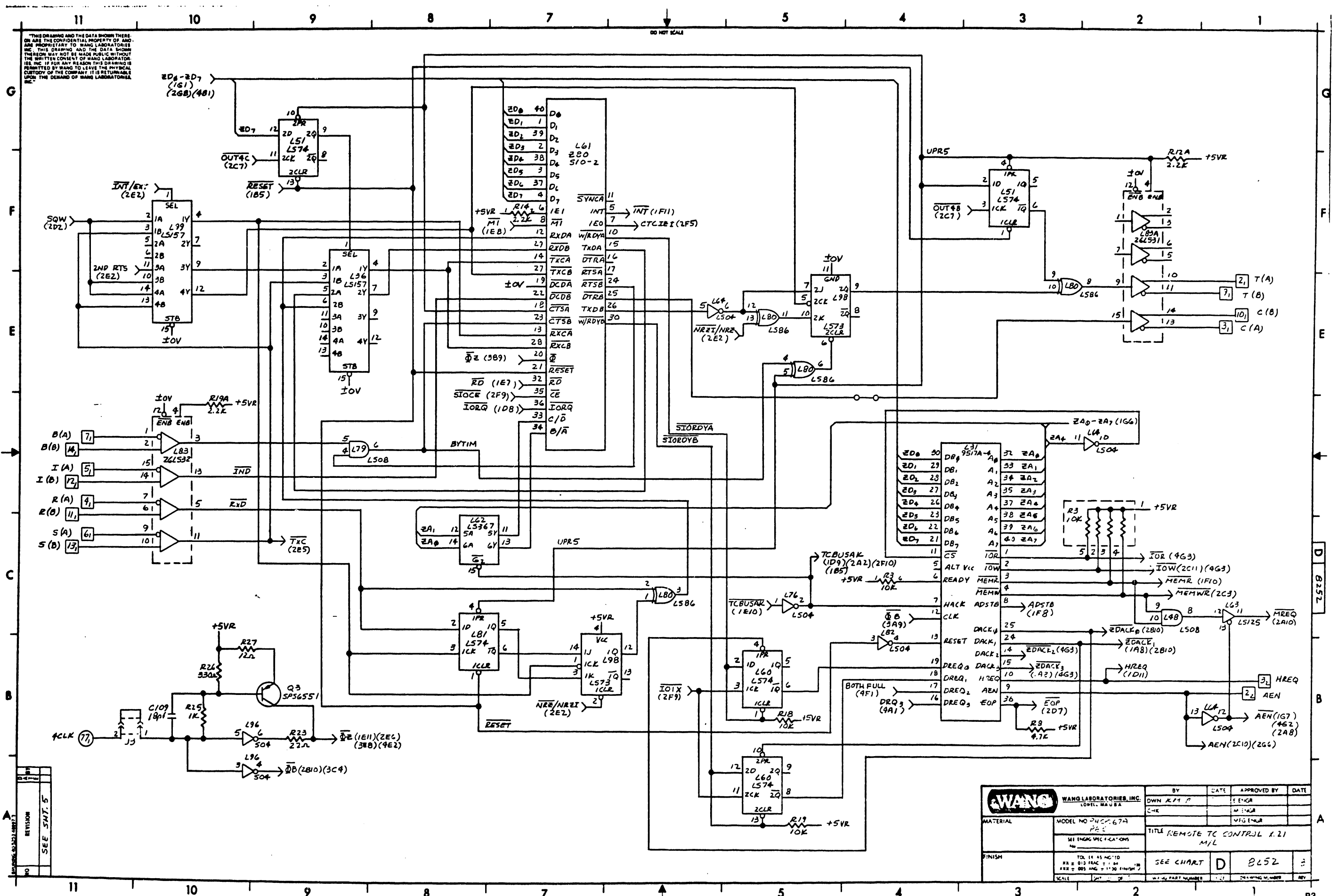
THIS DRAWING AND THE DATA THEREON ARE THE CONFIDENTIAL PROPERTY OF, AND ARE PROPRIETARY TO, WANG LABORATORIES, INC. THIS DRAWING AND THE DATA THEREON MAY NOT BE MADE PUBLIC WITHOUT THE WRITTEN CONSENT OF WANG LABORATORIES, INC. IF FOR ANY REASON THIS DRAWING IS FORWARDED TO ANY OTHER PARTY BY THE COMPANY, IT IS RETURNABLE TO THE COMPANY BY THE RECIPIENT.



WANG WANG LABORATORIES, INC. LOWELL, MASSACHUSETTS		BY	DATE	APPROVED BY	DATE
MATERIAL		OWN	KM 11	J. S.	ENGR
MODEL NO PHOL-67A PRL		CHK		M. ENGR	
SEE INQUIRY SPECIFICATIONS		TITLE REMOTE TC CONTROL X.21 M/L			
FINISH		TOL IN AS NOTED	SEE CHART	D	8252
		RR = 0.10 INCH ± .001			3
		RRR = 0.001 INCH ± .0001			
		SCALE	UNIT = 10"	DRAWING NUMBER	REV

REVISION
SEE SMT. 5

THIS DRAWING AND THE DATA SHOWN THEREON ARE THE CONFIDENTIAL PROPERTY OF AWANG PROPRIETARY TO AWANG LABORATORIES, INC. THIS DRAWING AND THE DATA SHOWN THEREON MAY NOT BE MADE PUBLIC WITHOUT THE WRITTEN CONSENT OF AWANG LABORATORIES, INC. IF FOR ANY REASON THIS DRAWING IS PERMITTED BY AWANG TO LEAVE THE PHYSICAL CUSTODY OF THE COMPANY IT IS RETURNABLE UPON THE DEMAND OF AWANG LABORATORIES, INC.



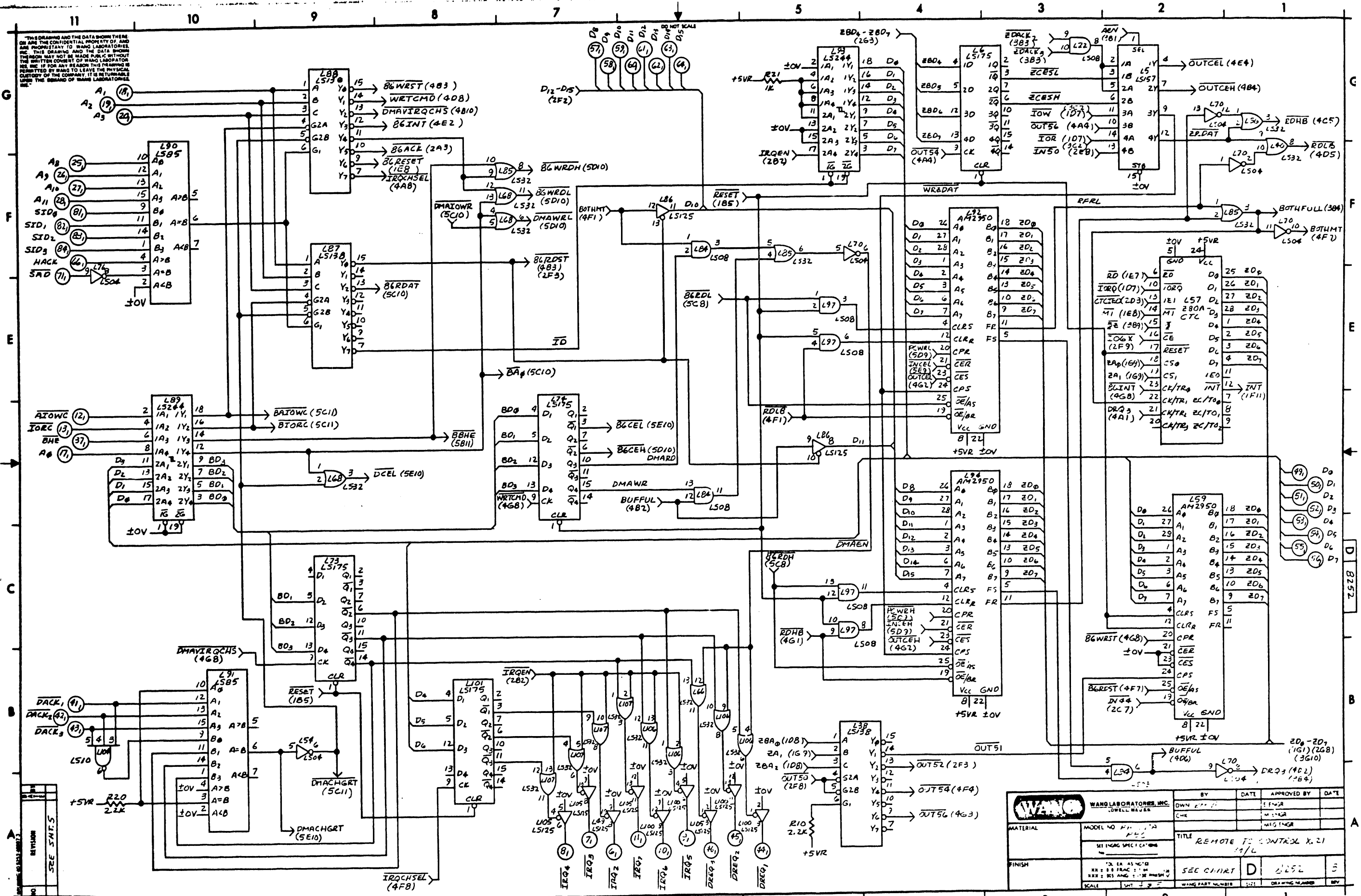
REV	DESCRIPTION
1	ISSUED
2	REVISED
3	REVISED
4	REVISED
5	REVISED

AWANG WANG LABORATORIES, INC. CORP. MAUSA		BY	DATE	APPROVED BY	DATE
MATERIAL	MODEL NO. PUC-67A P.C.	DWN K.F.P.		E. ENGR	
FINISH	SI ENGR. SPECIFICATIONS	CHE		M. ENGR	
				WFG ENGR	
TITLE REMOTE TC CONTROL 1.21 M/L		SEE CHART	D	BLS2	
TOL. IN AS NOTED X2 ± 0.13 FRACTION X3 ± 0.05 ANG ± 1.30 FINISH					
SCALE					

8252

P3

THIS DRAWING AND THE DATA SHOWN THERE ARE THE CONFIDENTIAL PROPERTY OF AND ARE PROPRIETARY TO WANG LABORATORIES, INC. THIS DRAWING AND THE DATA SHOWN HEREIN MAY NOT BE MADE PUBLIC WITHOUT THE WRITTEN CONSENT OF WANG LABORATORIES, INC. IF FOR ANY REASON THIS DRAWING IS PERMITTED BY WANG TO LEAVE THE PHYSICAL CUSTODY OF THE COMPANY, IT IS RETURNABLE UPON THE DEMAND OF WANG LABORATORIES, INC.



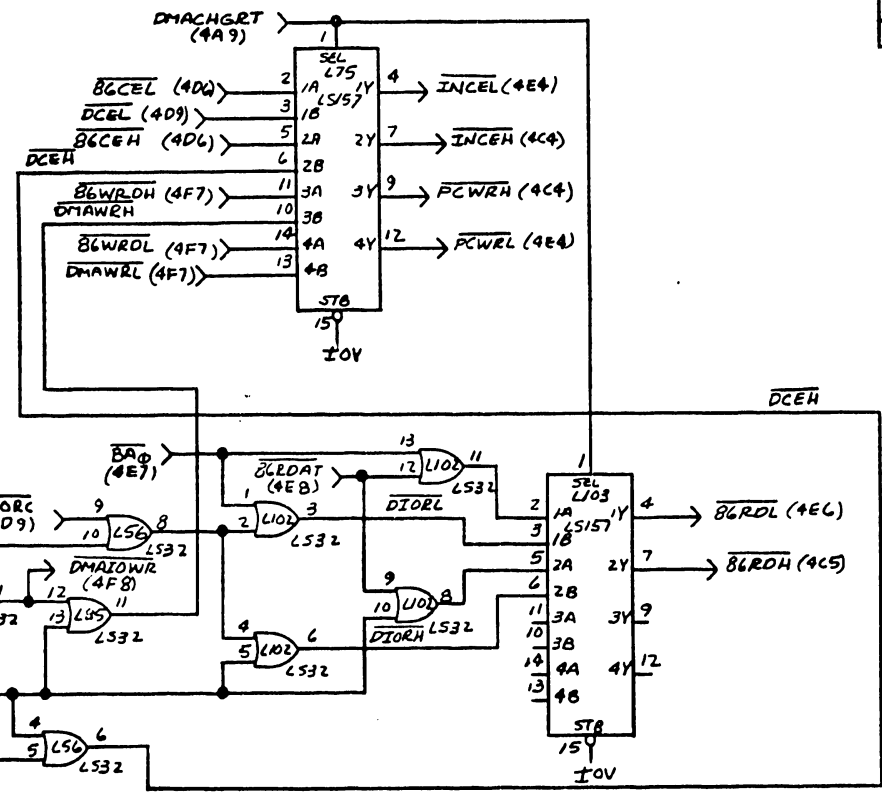
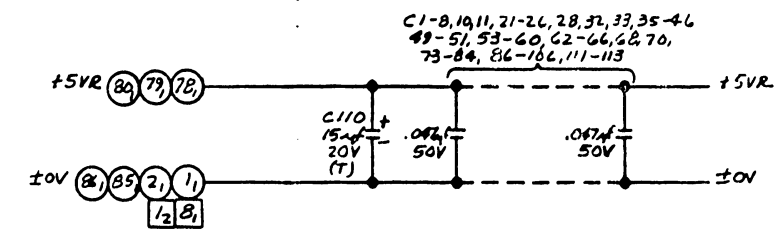
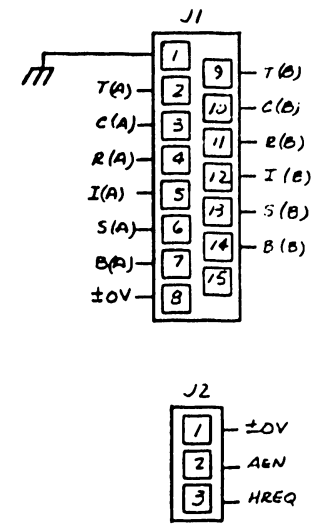
WANG WANG LABORATORIES, INC. DORVILLE, MASSACHUSETTS		BY	DATE	APPROVED BY	DATE
MATERIAL		DWN		ENGINEER	
MODEL NO. 721		CHE		W. ENGINEER	
FINISH		TITLE			
SCALE		REMOTE I/O CONTROL X.21			
SEE CHART		D			
WANG PART NUMBER		DRAWING NUMBER			

THIS DRAWING AND THE DATA SHOWN THERE ON ARE THE CONFIDENTIAL PROPERTY OF AND ARE PROPRIETARY TO WANG LABORATORIES, INC. THIS DRAWING AND THE DATA SHOWN THEREON MAY NOT BE MADE PUBLIC WITHOUT THE WRITTEN CONSENT OF WANG LABORATORIES, INC. IF FOR ANY REASON THIS DRAWING IS PERMITTED BY WANG TO LEAVE THE PHYSICAL CUSTODY OF THE COMPANY, IT IS RETURNABLE UPON THE DEMAND OF WANG LABORATORIES, INC.

DO NOT SCALE

TYPE	LOCATION	SPARES
74LS04	L54	3
	L64	1
	L70	1
	L76	4
	L82	3
74504	L96	1
7405	L50	5
74LS08	L84	1
74LS10	L104	2
74LS32	L40	1
	L66	2
	L68	1
9602	L65	1
74LS125	L63	1
	L86	2
22LS31	L83A	2

MNEMONIC	COORD.
A ₀	4D11
A ₁ -A ₃	4G11
A ₈ -A ₁₁	4F11
AEN	3B1
AIOWC	4D11
B(A), B(B)	3D11
BHE	4D11
C(A), C(B)	3E1
CLK	1B11
D ₆ -D ₇	4D1
D ₈ -D ₁₅	4G7
DACK ₁ -DACK ₃	1B11
DREQ ₁ -DREQ ₃	4A5
HACK	4F11
HREQ	3B1
I(A), I(B)	3D11
IOEC	4D11
IRQ ₁ -IRQ ₇	4A7
R(A), R(B)	3D11
S(A), S(B)	3C11
SAD	4F11
SID ₀ -SID ₃	4F11
T(A), T(B)	3E1
4CLK	3B11



Z10 = 2D9 + 377 OR 378									
Z10	Z09	L26, 51	L28	L30	L31	L59	L59, 91, 94	L61	EJECTOR
B25L-A	8252	377-0371	378-9044R1	377-0368	377-0388	377-0343	376-0583	377-0374	465-1250

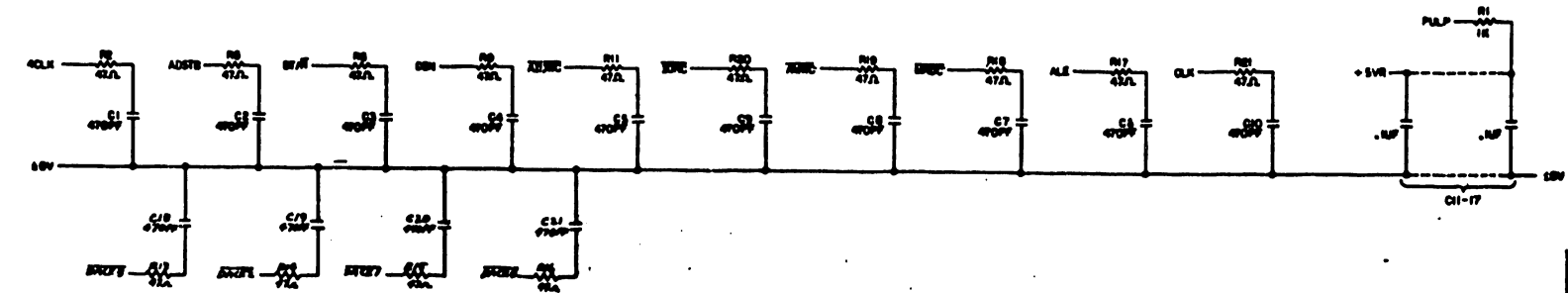
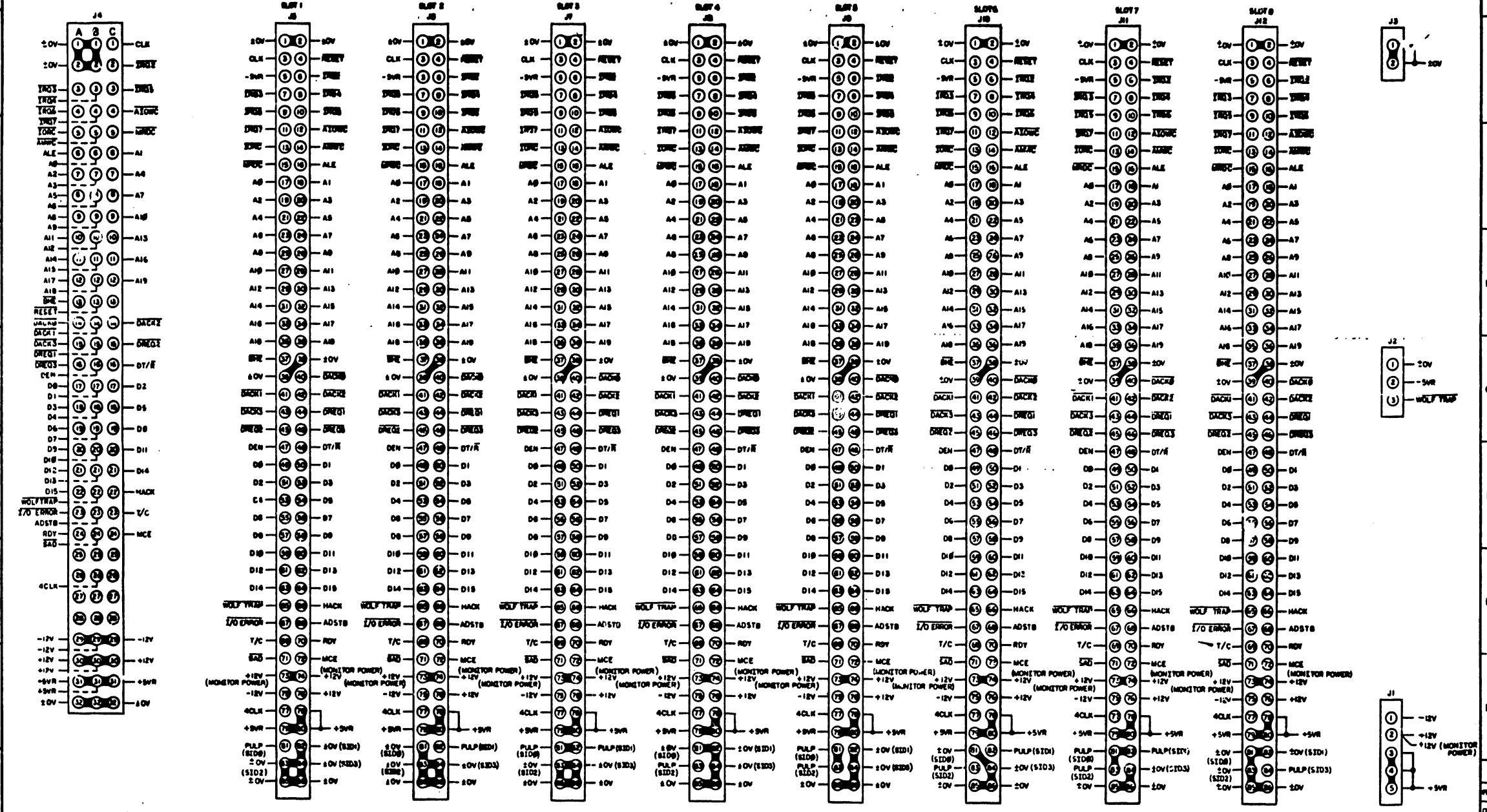
NOTE:
1. ALL RESISTORS UNLESS OTHERWISE SPECIFIED ARE 1/4W 5%.

E-REV
0

REVISION	DATE	BY	REASON
1	2/14/73	WJ	DESIGNED PER DWG 1155B AND 1155C
2	5-15-73	WJ	REVISED PER ECOM 29346 APP D:1A
3	5-15-73	WJ	REVISED PER ECOM 30093 APP D:1A

WANG WANG LABORATORIES, INC. LORETTA BAUSER		BY: DWN KCM	DATE:	APPROVED BY:	DATE:
MATERIAL:	MODEL NO. PH-167A	CHE...		WENGR...	
SEE ENG'G SPECIFICATIONS		TITLE: REMOTE TC CONTROL X.21			
FINISH: TOL. EX. AS NOTED		SEE CHART D		E252	
SCALE: 1:1		WANG PART NUMBER: 111		DRAWING NUMBER: 011	

34"
22"
17"
11"
8.5"
11"
8.5"
17"
22"
34"

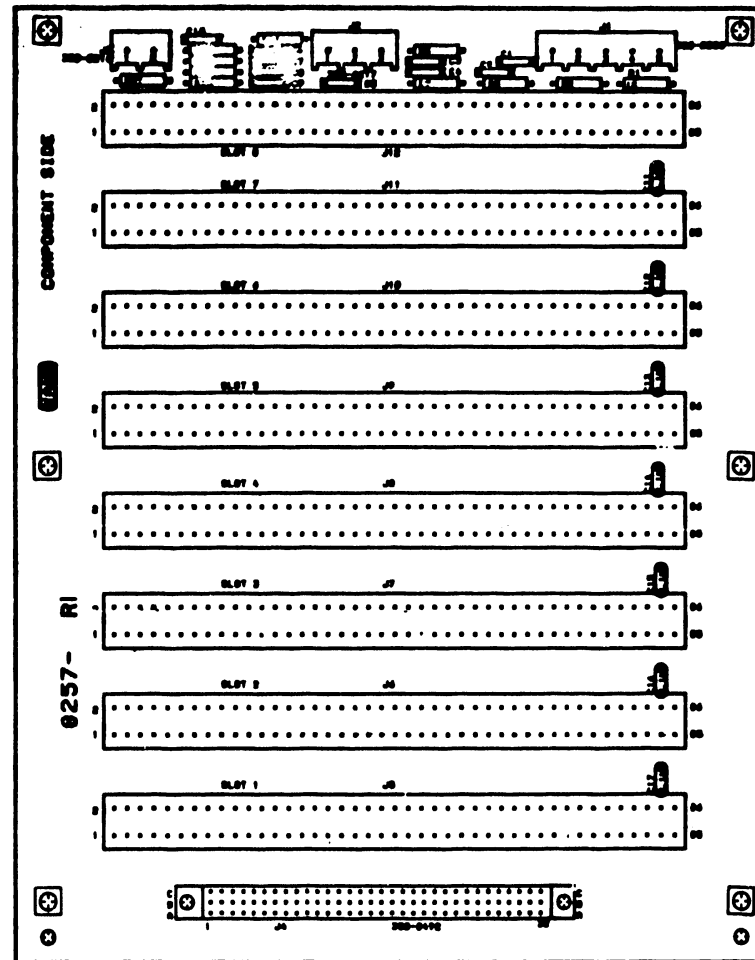


WANG		DATE	REV
MODEL	PC67A	DATE	REV
EXPANDED 8-SLOT MOTHERBOARD M/L		DATE	REV
240-8257	8257		

34"
22"
17"
11"
8.5"
11"
17"
22"
34"

34"
22"
17"
11"
8.5"
11"
17"
22"
34"

COMPONENT	TYPE	QTY. (MAX)
U1	1K VOLT	120-200
U2, U3, U4, U5, U6	74LS147	200-300
CI-10	GROUP 100V	100-150
CI-17	GROUP 100V	100-150
CI-21	GROUP 100V	100-150
J1	CONN. STR	100-200
J2	CONN. STR	100-200
J3	CONN. STR	100-200
J4	CONN. STR	100-200
J5-J8	CONN. STR	100-200

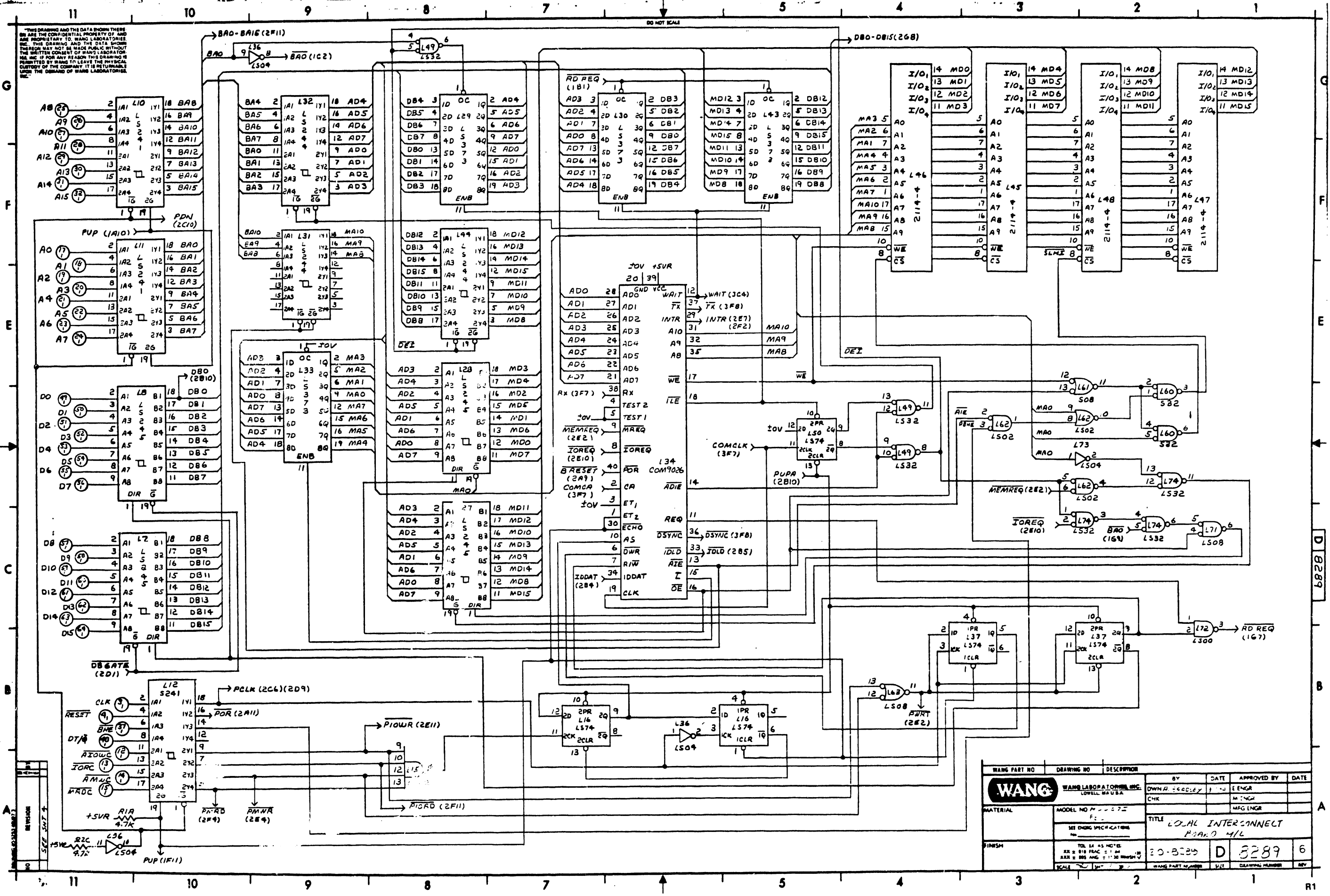


NOTES:
1. ALL RES ARE 1/4W 5% UNLESS OTHERWISE SPECIFIED.

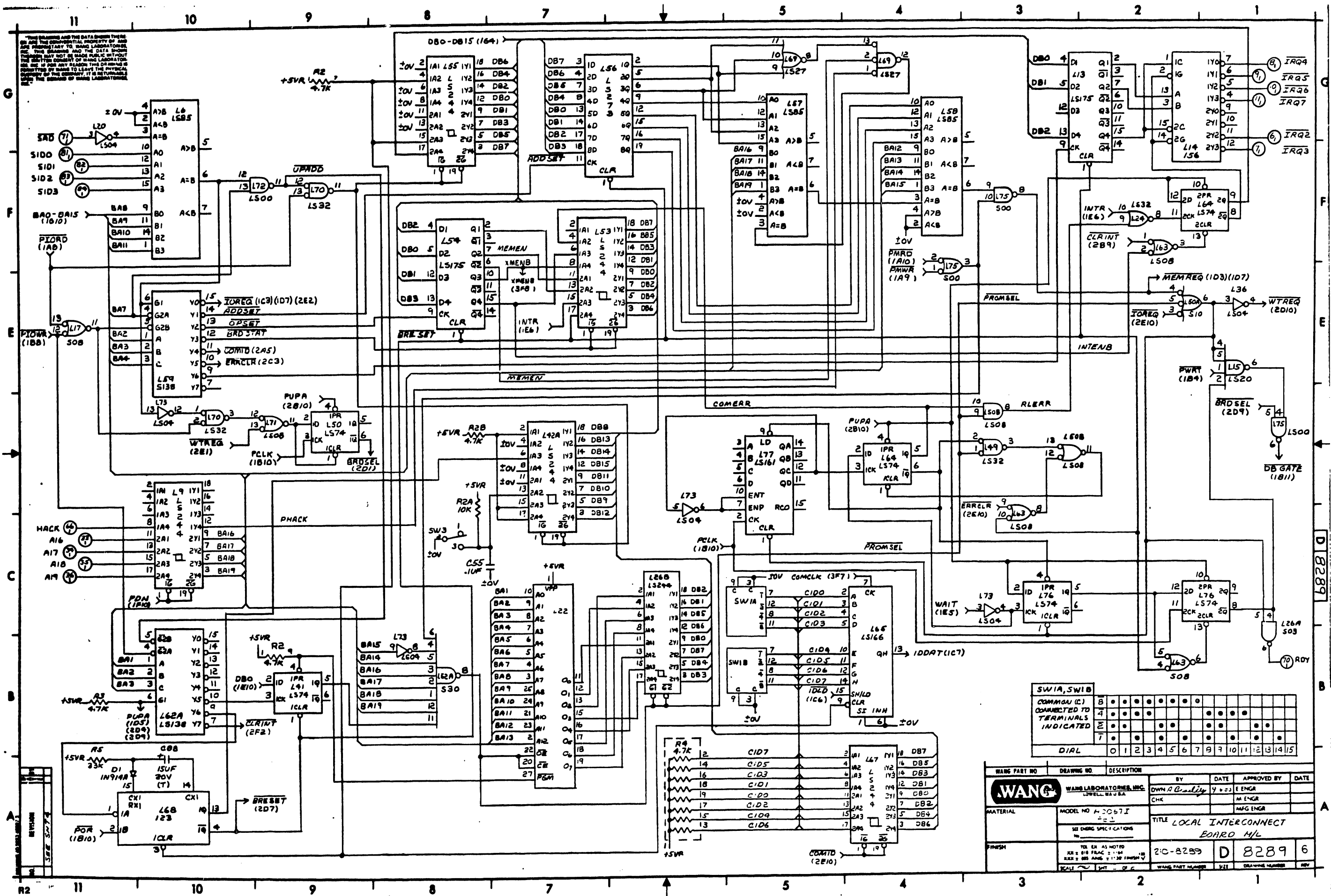
REV. 1	DATE	BY	CHKD
1			

(WANG)		REV. 1	DATE	BY	CHKD
EXPANDED 8-SLOT MOTHERBOARD		1			
8257-RI					

THIS DRAWING AND THE DATA SHOWN THERE ARE THE CONFIDENTIAL PROPERTY OF WANG AND PROPRIETARY TO WANG LABORATORIES INC. THIS DRAWING AND THE DATA SHOWN THEREIN MAY NOT BE MADE PUBLIC WITHOUT THE WRITTEN CONSENT OF WANG LABORATORIES INC. IF FOR ANY REASON THIS DRAWING IS REPRODUCED BY ANYONE IT IS THE PROPERTY OF WANG LABORATORIES INC. IT IS RETURNABLE UPON THE DEMAND OF WANG LABORATORIES INC.



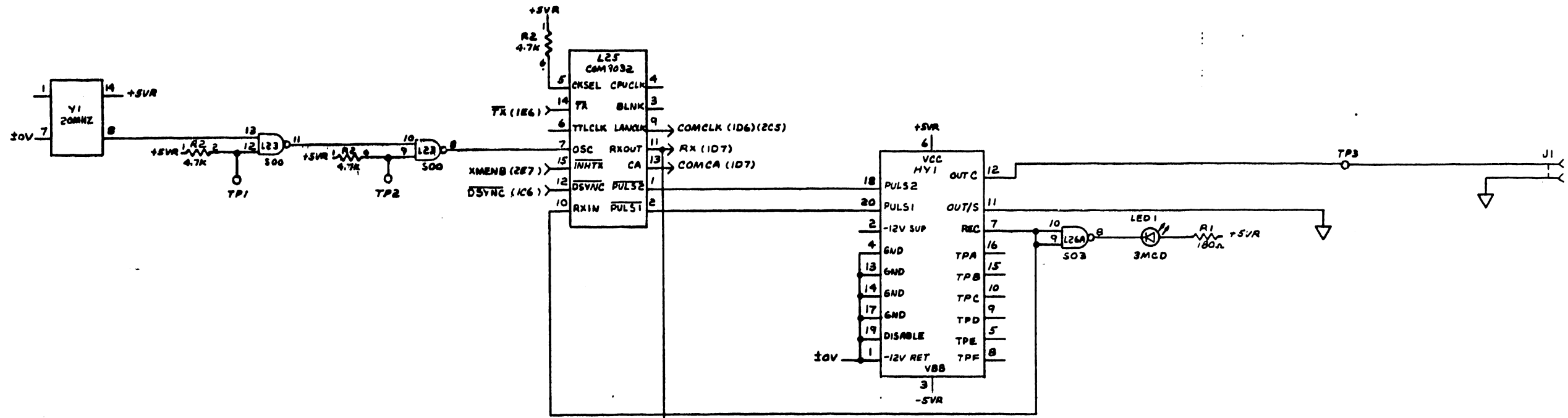
WANG PART NO	DRAWING NO	DESCRIPTION	BY	DATE	APPROVED BY	DATE
			CHK		ENG	
			CHK		ENG	
					ENG	
MATERIAL		MODEL NO	TITLE LOCAL INTERCONNECT			
FINISH		SEE ENG SPECIFICATIONS	PART NO M/L			
		TOL IN AS NOTED	20-8289 D 8289 6			
		SEE ENG SPECIFICATIONS	WANG PART NUMBER			
		SCALE	DRAWING NUMBER			



SW1A, SW1B	COMMON (C)	8	7	6	5	4	3	2	1
CONNECTED TO									
TERMINALS									
INDICATED									
DIAL		0	1	2	3	4	5	6	7

WANG PART NO	DRAWING NO.	DESCRIPTION	BY	DATE	APPROVED BY	DATE
			OWN	9-23	E ENGR	
			CHK		M ENGR	
					MFG ENGR	
MATERIAL		MODEL NO A-20571	TITLE LOCAL INTERCONNECT BOARD M/L			
FINISH		SEE ENGR SPECIFICATIONS	210-8289 D 8289 6			
		SCALE	WANG PART NUMBER			

THIS DRAWING AND THE DATA SHOWN THEREON ARE THE CONFIDENTIAL PROPERTY OF AND ARE PROPRIETARY TO WANG LABORATORIES, INC. THIS DRAWING AND THE DATA SHOWN THEREON MAY NOT BE MADE PUBLIC WITHOUT THE WRITTEN CONSENT OF WANG LABORATORIES, INC. IF FOR ANY REASON THIS DRAWING IS FORGOTTEN BY YOU TO LEAVE THE PHYSICAL CUSTODY OF THE COMPANY, IT IS RETURNABLE UPON THE DEMAND OF WANG LABORATORIES, INC.



REV	DATE	BY

SEE SMT

WANG PART NO	DRAWING NO	DESCRIPTION	BY	DATE	APPROVED BY	DATE
			DWN A	7-73	E ENGR	
			CHK		M ENGR	
					MFG ENGR	
MATERIAL	MODEL NO		TITLE			
			LOCAL INTERCONNECT BOARD M/L			
			210-8289	D	8289	6

18289 D

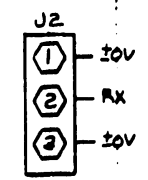
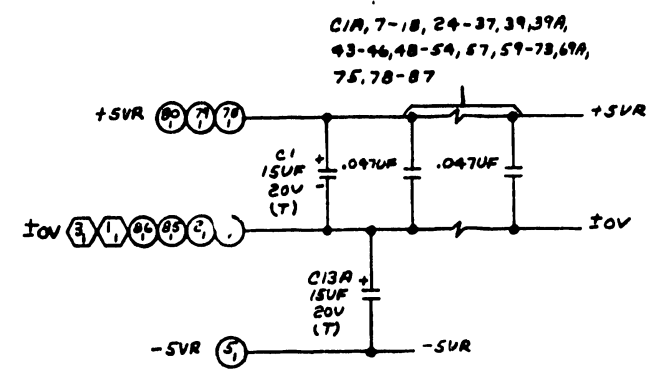
A

R3

THE DRAWING AND THE DATA SHOWN THERE ARE THE CONFIDENTIAL PROPERTY OF AND ARE PROPRIETARY TO WANG LABORATORIES, INC. THIS DRAWING AND THE DATA SHOWN THEREIN MAY NOT BE MADE PUBLIC WITHOUT THE WRITTEN CONSENT OF WANG LABORATORIES, INC. IN NO EVENT SHALL THIS DRAWING BE PERMITTED BY WANG TO LEAVE THE PHYSICAL CUSTODY OF THE COMPANY. IT IS RETURNABLE UPON THE DEMAND OF WANG LABORATORIES, INC.

TYPE	I.C. LOC	SPARE
74500	L23 L75	2 1
74LS00	L72	2
74LS02	L62	1
74S03	L26A	2
74LS04	L26 L36 L73	5 2 1
74S08	L17	3
74LS08	L61 L71	3 2
74LS27	L69	1
74S32	L60	2
74S10	L50A	2
74LS32	L70	2
74LS74	L41	1
SPARE LOCATIONS U/M 400, 600, 670		
74123	L68	1

MNEMONICS	COORD.
AO-AIS	1F11
A16-A19	2C11
AYOWC	1A11
AYMWC	1A11
BNE	1B11
CLK	1B11
DO-DIS	1D11
DTIQ	1B11
HACK	2C11
TRAC	1A11
TRQ2-TRQ7	2B1
TRDC	1A11
RESET	1B11
RDY	2B1
RX	3A7
SAD	2G11
S1D0-S1D3	2F11



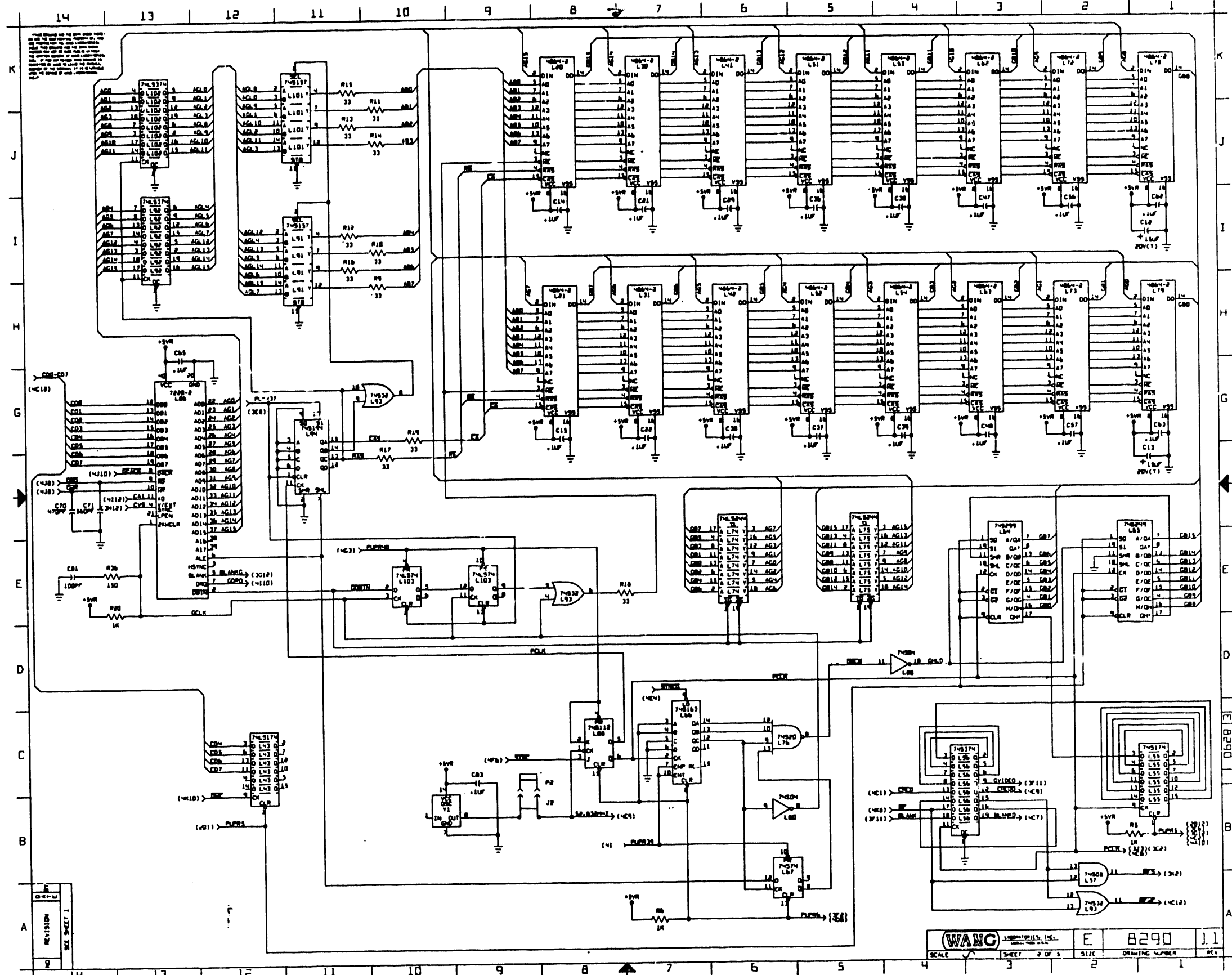
Z10 = 209 + 378 OR 377		
Z10	209	L22
8289-A	8289	378-7025

NOTES: ALL RESISTORS ARE 1/4W 5% UNLESS OTHERWISE SPECIFIED.

F-REV
1

REV	DATE	BY	CHK	APP'D	DESCRIPTION
1	2.28.83	ORIGINAL PER APP'D
2	5.12.83	REVISED PER ...
3	7.22.83	REVISED PER ...
4	9.9.83	REVISED PER ...
5	11.14.83	REVISED PER ...
6	11.14.83	REVISED PER ...
7	11.14.83	REVISED PER ...
8	11.14.83	REVISED PER ...
9	11.14.83	REVISED PER ...
10	11.14.83	REVISED PER ...
11	11.14.83	REVISED PER ...

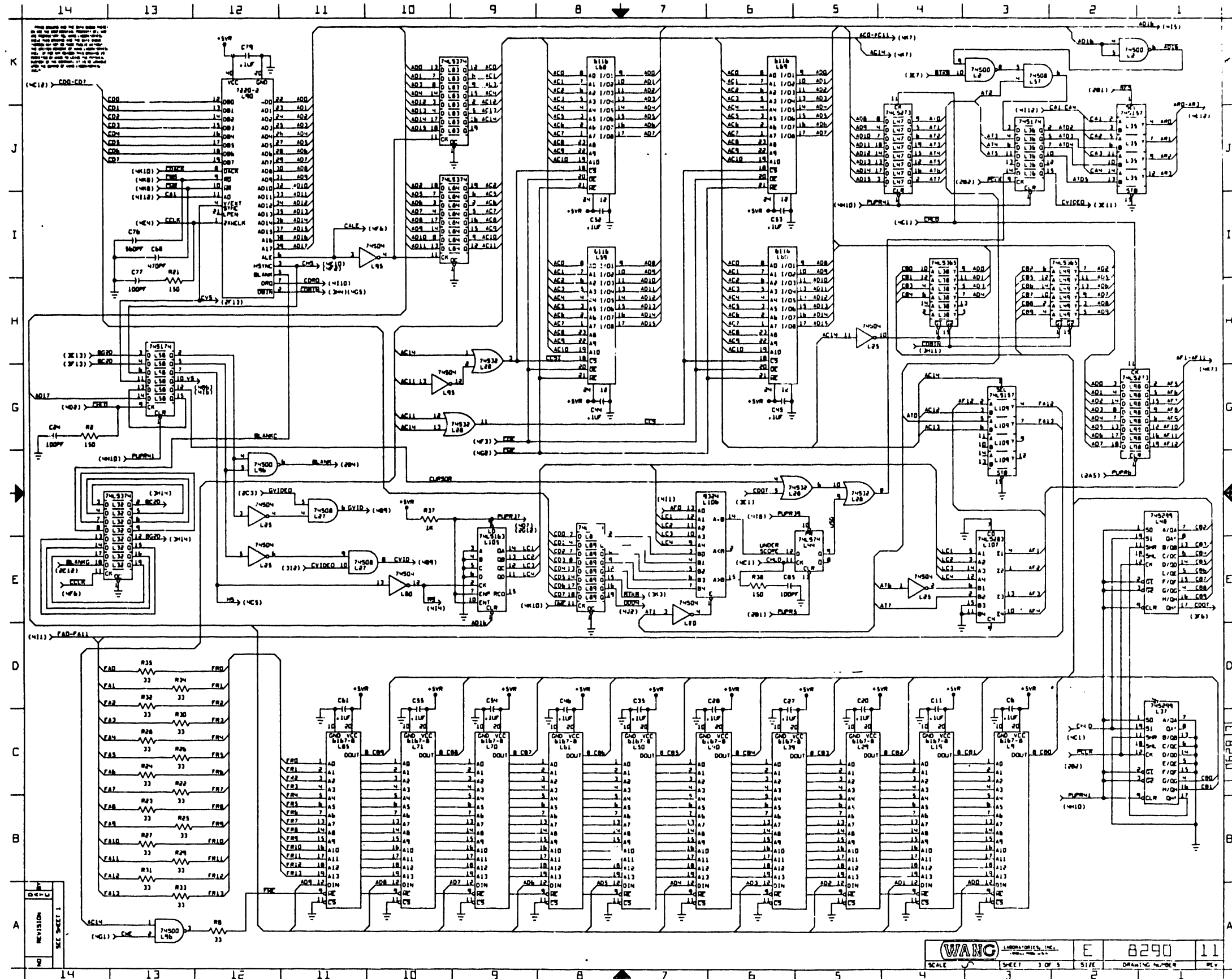
WANG PART NO	DRAWING NO	DESCRIPTION
8289-A	D 8287	LOCAL INTERCONNECT BOARD 11/2
BY	DATE	APPROVED BY
DATE	DATE	DATE
MATERIAL		
MODEL NO - P-C I		
SEE ENG'G SPECIFICATIONS		
FINISH		
TOL. EA. AS NOTED		
PER ± 0.10 FRAC ± 1.00		
APP ± 0.05 ANG ± 1.30 FINISH		
SCALE	1:1	DATE
WANG PART NUMBER	SIZE	DRAWING NUMBER
8289-A	D	8287
REV	1	6



1. This drawing is the property of Wang Laboratories, Inc. and is loaned to you for your use only. It is not to be reproduced, copied, or distributed in any form without the written consent of Wang Laboratories, Inc.
 2. This drawing is not to be used for any other purpose than that for which it was prepared.
 3. This drawing is not to be used for any other purpose than that for which it was prepared.
 4. This drawing is not to be used for any other purpose than that for which it was prepared.
 5. This drawing is not to be used for any other purpose than that for which it was prepared.

REV	DESCRIPTION
1	ISSUED
2	REVISED

WANG LABORATORIES, INC.
 SCALE: 1:1 SHEET 2 OF 3 SIZE: DRAWING NUMBER: 8290 REV: 1.1



THIS DRAWING IS THE PROPERTY OF WANG LABORATORIES, INC. IT IS TO BE USED ONLY FOR THE PROJECT AND SYSTEM FOR WHICH IT WAS PREPARED. IT IS NOT TO BE REPRODUCED OR TRANSMITTED IN ANY FORM OR BY ANY MEANS, ELECTRONIC OR MECHANICAL, INCLUDING PHOTOCOPYING, RECORDING, OR BY ANY INFORMATION STORAGE AND RETRIEVAL SYSTEM.

REVISION	DATE	BY

14 13 12 11 10 9 8 7 6 5 4 3 2 1

REVISION

K
J
I
H
G
E
D
C
B
A

ITEM NO.	I. C. LOCATION	TYPE	PART NO.	QTY.
1	L1	24x31	378-0470	1
2	L2	SPARE		2
3	L3	74-9245	378-0285	2
4	L4	74-983	378-0518	1
5	L5	74-983	378-0518	1
6	L6	74-9244	378-0288	4
7	L7	40x167-8	377-0431	10
8	L8	74-974	378-0202	3
9	L9	74-9173	378-0160	1
10	L10	74-9173	378-0270	1
11				
12	L12	40x167-8	377-0417	10
13	L13	74-9109	378-0517	1
14	L14	74-9153	378-0218	1
15	L15	74-904	378-0197	3
16	L16	74-908	378-0200	2
17	L17	74-938	378-0205	4
18	L18	74-9174	378-0158	1
19	L19	74-9273	378-0202	3
20	L20	74-9109	378-0249	2
21	L21	74-9157	378-0217	3
22	L22	74-9174	378-0247	3
23	L23	74-9299	378-0267	4
24				
25	L25	74-9763	378-0225	2
26	L26	74-974	378-0155	3
27	L27	74-9151	378-0214	1
28	L28	74-9174	378-0205	1
29	L29	81184-2	377-0228	4
30	L30	74-9163	378-0235	1
31	L31	74-920	378-0230	1
32	L32	74-9184	378-0236	1
33	L33	74-9153	378-0227	1
34	L34	74-9374	378-0286	6
35	L35	1207220-2	377-0514	2
36	L36	74-9196	378-0219	2
37	L37	74-9112	378-0509	1
38	L38	74-9194	378-0221	1
39	L39	74-900	378-0228	2
40	L40	74-9157	378-0218	5
41	L41	74-9163	378-0274	1
42	L42	74-9283	378-0332	1
43	L43	9324	378-0385	1
44				
45				
46	L46	40 PIN SKT	378-9020	2
47				
48	L48	40 PIN SKT	378-9011	2
49	L49	100.8	377-3073	1
50	L50	100.8	377-3072	1

ITEM NO.	COMPONENT	TYPE	PART NO.	QTY.
51	74-9126-20	130	330-2016	3
52	74-9126-20	1K 1/4W 50	330-2011	9
53	74-9126-21	33	330-1024	20
54				
55				
56	74-9126-20	0.047UF 50V	300-1966	34
57	74-9126-21	150UF 20V(T)	300-0222	3
58	74-9126-20	.1UF 50V	300-1033	33
59	74-9126-21	100PF	300-1962	5
60	74-9126-21	470PF	300-1472	2
61	74-9126-21	560PF	300-1562	2
62				
63	Y1	50.83MHZ	321-1016	1
64				
65	Z1	2 PIN HDR	330-0203	1
66	P1	SPARE	330-1506	1
67				
68	Y1	10 PIN TERMO	378-9008	1
69	Z1	8 PIN SKT	330-0342	1
70				
71				
72				
73				
74				
75				
76				
77				
78				
79				
80				
81				

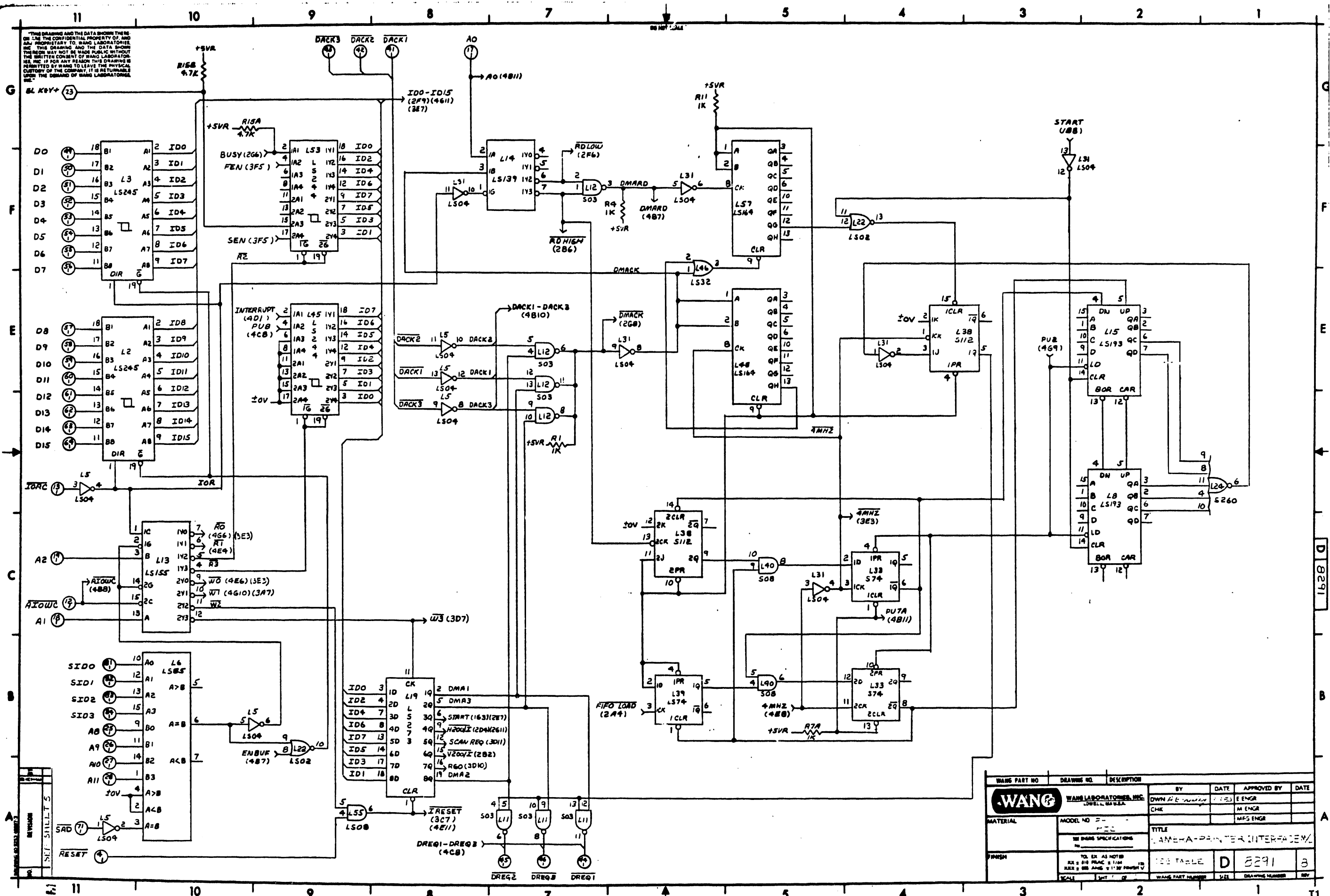
062813

NO.	REVISION
1	

WANG INDUSTRIES, INC. E 8290 11
 SCALE SHEET 3 OF 5 SIZE DRAWING NUMBER REV

14 13 12 11 10 9 8 7 6 5 4 3 2 1 S5

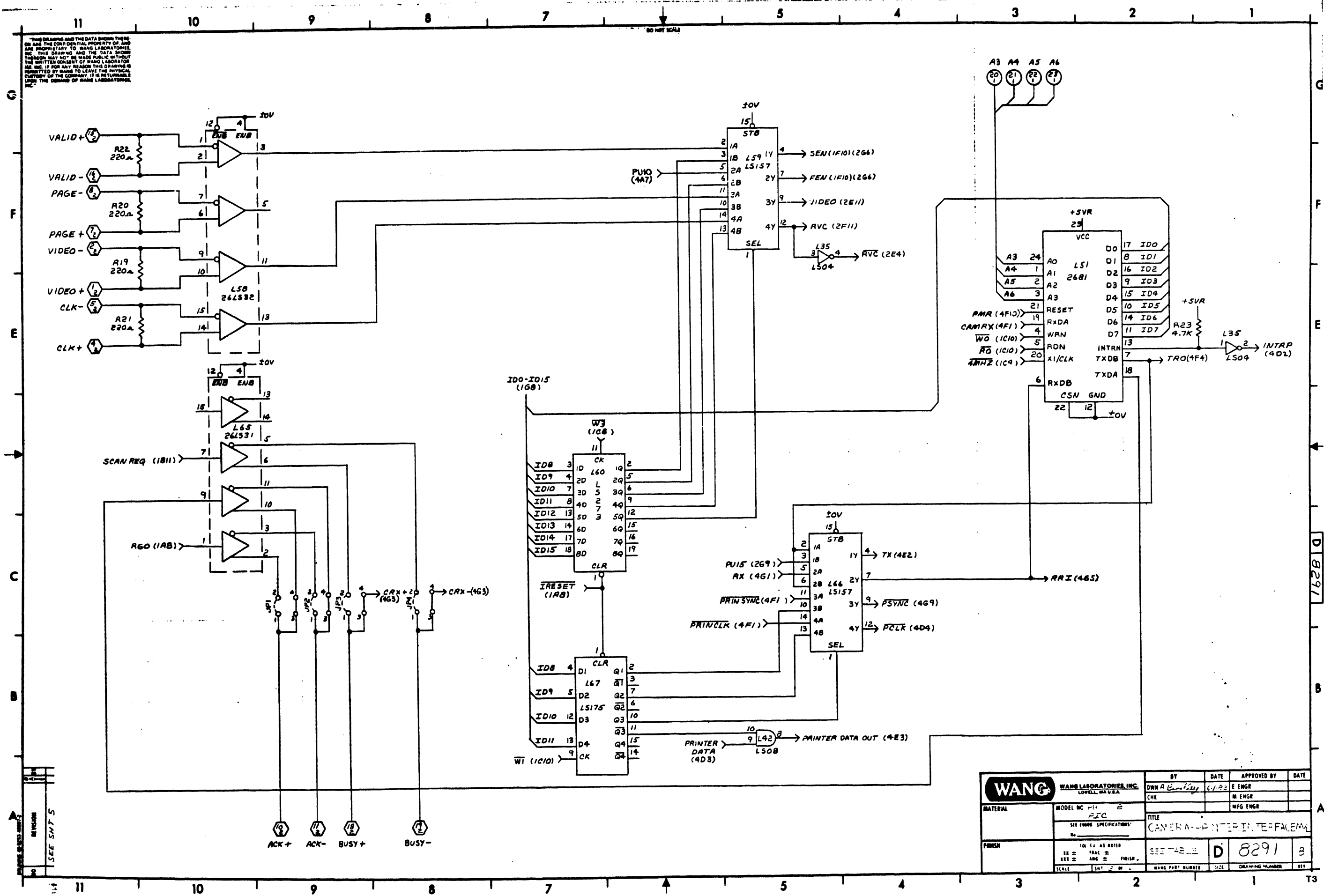
THIS DRAWING AND THE DATA SHOWN THEREON ARE THE CONFIDENTIAL PROPERTY OF WANG LABORATORIES, INC. PROPRIETARY TO WANG LABORATORIES, INC. THIS DRAWING AND THE DATA SHOWN THEREON MAY NOT BE MADE PUBLIC WITHOUT THE WRITTEN CONSENT OF WANG LABORATORIES, INC. IF FOR ANY REASON THIS DRAWING IS REPRODUCED BY WANG TO LEAVE THE PHYSICAL CUSTODY OF THE COMPANY, IT IS RETURNABLE TO THE COMPANY OF WANG LABORATORIES, INC.



WANG PART NO.	DRAWING NO.	DESCRIPTION	BY	DATE	APPROVED BY	DATE
WANG	6291	CAMERA-PRINTER INTERFACE	DOWN	1/23/71	E ENGR	
			CHK		M ENGR	
					MFS ENGR	
MATERIAL	MODEL NO.	TITLE				
			NO. IN AS NOTED			
			ALL S. 810 PRAC. 1/4"			
			RULER 2 1/8" ANG. 11" BY POWER V			
			SCALE			
			100 TABLE			
			D 6291			
			B			
			WANG PART NUMBER			
			SHEET			
			DRAWING NUMBER			
			REV			

THIS DRAWING AND THE DATA SHOWN THEREON ARE THE CONFIDENTIAL PROPERTY OF WANG AND PROPRIETARY TO WANG LABORATORIES, INC. THIS DRAWING AND THE DATA SHOWN THEREON MAY NOT BE MADE PUBLIC WITHOUT THE WRITTEN CONSENT OF WANG LABORATORIES, INC. IF FOR ANY REASON THIS DRAWING IS FORWARDED BY WANG TO LEAVE THE PHYSICAL POSSESSION OF THE COMPANY, IT IS RETURNABLE UPON THE DEMAND OF WANG LABORATORIES, INC.

DO NOT SCALE

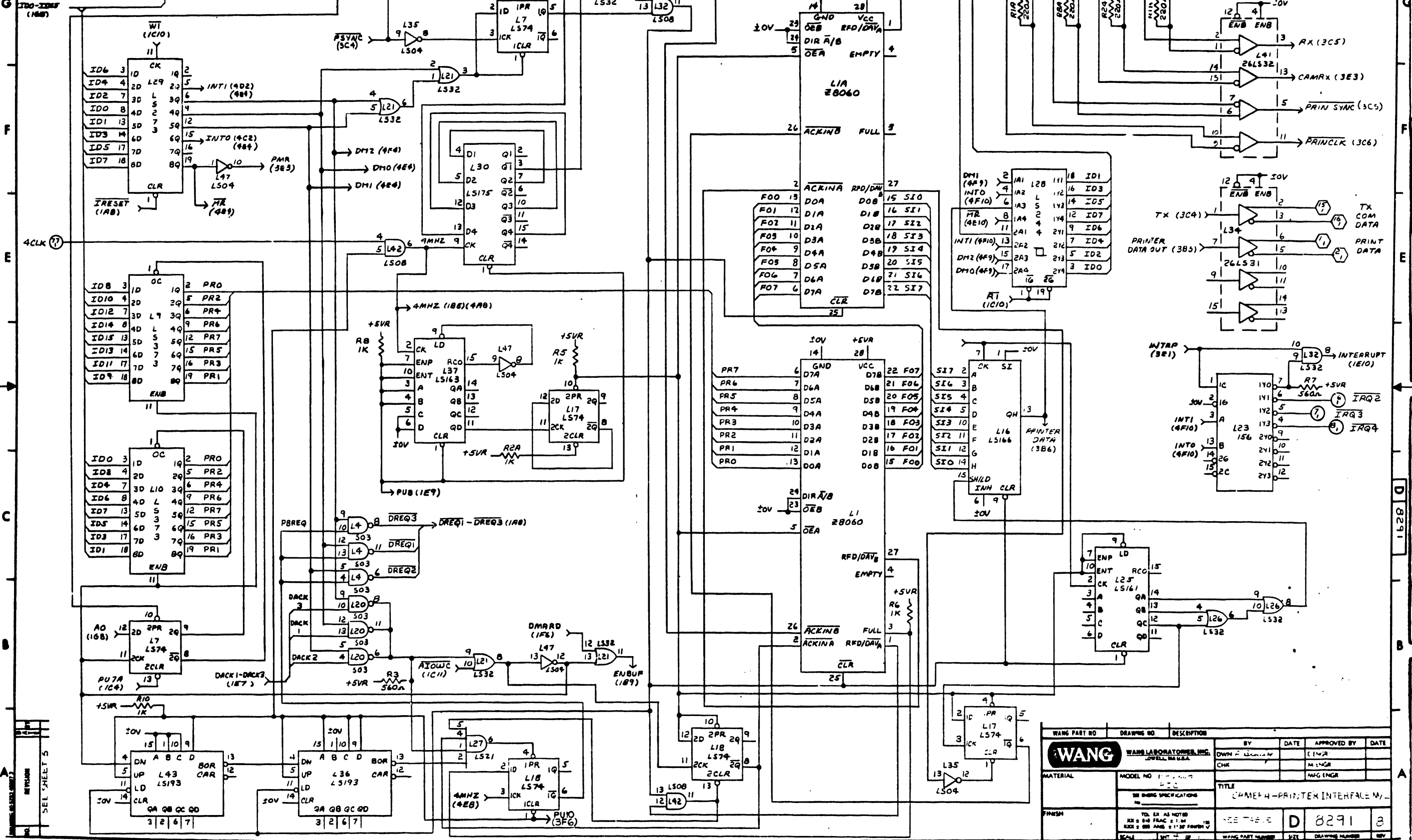


WANG WANG LABORATORIES, INC. LOWELL, MA U.S.A.		BY DWN A [Signature]	DATE 6/83	APPROVED BY E ENGR	DATE
MATERIAL	MODEL NO R/C	SEE ENGR SPECIFICATIONS	TITLE CAMERA-PRINTER INTERFACE		
FINISH	100% AS NOTED	SEE ENGR SPECIFICATIONS	SCALE 1/8" = 1"	SIZE D	DRAWING NUMBER 8291
WANG PART NUMBER		SIZE	DRAWING NUMBER	REV	

D 8291

SEE SHT 5

THIS DRAWING AND THE DATA SHOWN THEREON ARE THE CONFIDENTIAL PROPERTY OF WANG LABORATORIES, INC. THIS DRAWING AND THE DATA SHOWN THEREON MAY NOT BE REPRODUCED OR TRANSMITTED IN ANY FORM OR BY ANY MEANS WITHOUT THE WRITTEN CONSENT OF WANG LABORATORIES, INC. IF FOR ANY REASON THIS DRAWING IS REPRODUCED BY WANG TO LEAVE THE PHYSICAL POSSESSION OF THE COMPANY IT IS RETURNABLE UPON THE DEMAND OF WANG LABORATORIES, INC.

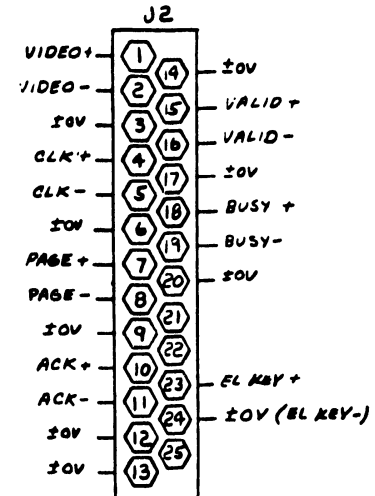
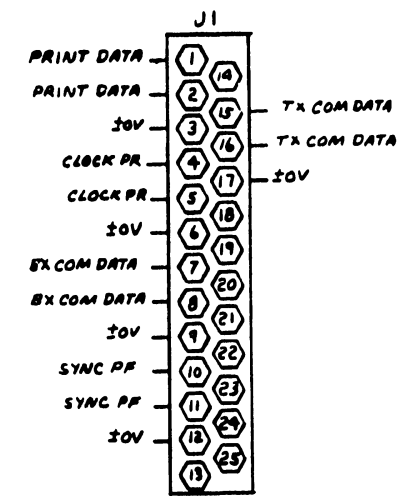


SEL SHEETS
T4 11 10 9 8 7 5 4 3 2 1

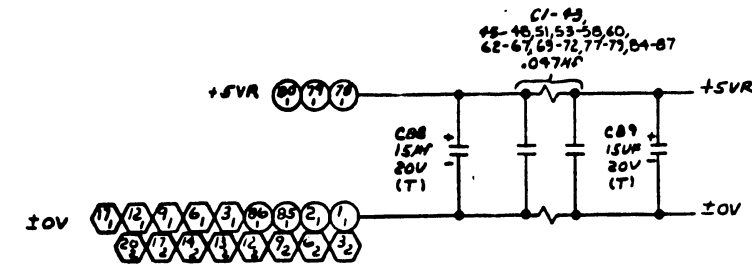
WANG PART NO	DRAWING NO	DESCRIPTION	BY	DATE	APPROVED BY	DATE
			OWN		CHK	
			CHK		MENGR	
MODEL NO. 100-1000 SEE DRAWING SPECIFICATIONS			TITLE CAMERA-PRINTER INTERFACE			
FINISH TO: EX AS NOTED XN ± 0.10 FRAC ± 1.0 XZ ± 0.05 ANG ± 1.0° FURSH V REAM			SEE TABLE		D 8291	8
SCALE 1:1			WANG PART NUMBER	SIZE	DRAWING NUMBER	REV

THE DRAWING AND THE DATA THEREON ARE THE SOLE PROPERTY OF WANG LABORATORIES, INC. THIS DRAWING AND THE DATA THEREON MAY NOT BE REPRODUCED OR TRANSMITTED IN ANY FORM OR BY ANY MEANS WITHOUT THE WRITTEN CONSENT OF WANG LABORATORIES, INC. IF YOU HAVE MADE THIS DRAWING OR DATA AVAILABLE TO ANY OTHER PARTY, YOU AGREE TO HOLD THEM HARMLESS FROM AND TO INDEMNIFY WANG LABORATORIES, INC. FOR ANY AND ALL DAMAGES, LOSSES AND EXPENSES, INCLUDING ATTORNEY'S FEES, WHICH MAY BE INCURRED BY WANG LABORATORIES, INC. AS A RESULT OF SUCH REPRODUCTION OR TRANSMISSION.

J.C. TYPE	LOCATION	SPARES
74LS02	L22	2
	L4	1
74S03	L11	1
	L20	1
74LS04	L35	2
74S08	L40	8
74LS08	L42	1
74LS11	L54	1
74LS21	L27	1
7432	L26	2
74LS74	-37	1
74LS139	L14	1
74S260	L24	1
74LS08	L32	2
74LS32	L44	1



MNEMONICS	COORD
A0	1G8
A1, A2	1C11
A3-A6	3G3
A8, A9	1B11
A10, A11	1A11
ACK+	3A9
ACK-	3A9
ALLOWC	1C11
BUSY+	1A9
BUSY-	1A8
BX COM DATA	4G2
CLK+	3E11
CLK-	3E11
CLK PR	4G4
DO-DIS	1F11
DACK 1	1G8
DACK 2	1G9
DACK 3	1G9
DREQ1-DREQ3	1A7
EL KEY+	1G11
FORMC	1D11
FORM2-FORM3	4D1
PRINT DATA	4E1
PAGE+	3F11
PAGE-	3F11
RESET	1A11
SAD	1A11
SID0-SID3	1B11
SYNC PF	4G3
TX COM DATA	4E1
VALID+	3G11
VALID-	3F11
VIDEO+	3E11
VIDEO-	3F11
4 CLK	4E11



210-209-377 OR 37B			
210	209	L1, A, B, C, D, L51	
8291-A	8291	377-0517	377-0516

NOTE 1. ALL RES ARE 5% UNLESS OTHERWISE SPECIFIED.

WANG PART NO	DRAWING NO	DESCRIPTION	BY	DATE	APPROVED BY	DATE
			OWN		E ENGR	
			CHK		M ENGR	
					MFG ENGR	
MATERIAL		MODEL NO	TITLE			
		SEE THIS SPECIFICATION	CAMERA PRINTER NTRF MIL			
FINISH		TOL. UN. AS NOTED	SCALE	D	8291	8
		SEE 810 PRAC 2-11-66				
		SEE 808 AND 8-11-66 FOURTH				
		SCALE 1/8" = 1"	WANG PART NUMBER	1/21	DRAWING NUMBER	8291

REV	BY	DATE	DESCRIPTION
1	WJ	11/17/66	REVISED PER ECOM 29628
2	WJ	11/17/66	REVISED PER ECOM 29628
3	WJ	11/17/66	REVISED PER ECOM 29628
4	WJ	11/17/66	REVISED PER ECOM 29628
5	WJ	11/17/66	REVISED PER ECOM 29628
6	WJ	11/17/66	REVISED PER ECOM 29628
7	WJ	11/17/66	REVISED PER ECOM 29628
8	WJ	11/17/66	REVISED PER ECOM 29628
9	WJ	11/17/66	REVISED PER ECOM 29628
10	WJ	11/17/66	REVISED PER ECOM 29628

162B D

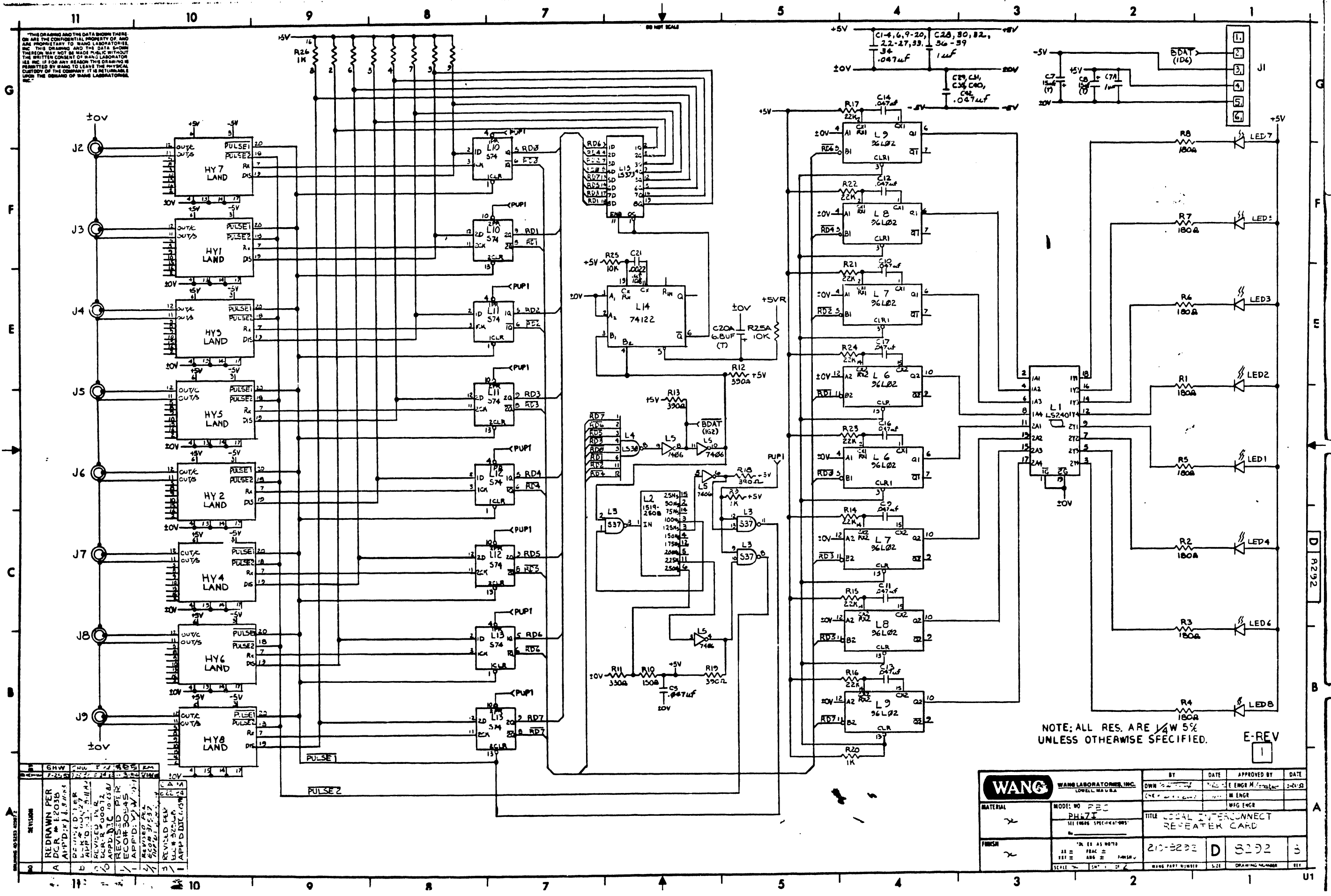
THIS DRAWING IS THE PROPERTY OF WANG LABORATORIES, INC. IT IS TO BE USED ONLY FOR THE PURPOSES SPECIFIED HEREON. IT IS NOT TO BE REPRODUCED OR TRANSMITTED IN ANY FORM OR BY ANY MEANS, ELECTRONIC OR MECHANICAL, INCLUDING PHOTOCOPYING, RECORDING, OR BY ANY INFORMATION STORAGE AND RETRIEVAL SYSTEM, WITHOUT THE WRITTEN PERMISSION OF WANG LABORATORIES, INC. THE COMPANY IS NOT RESPONSIBLE FOR ANY DAMAGE TO OR LOSS OF THIS DRAWING OR THE INFORMATION CONTAINED HEREON.

ITEM NO.	WANG PART NO.	DESCRIPTION	REFERENCE DESIGNATION(S)	QTY.
50	510-8291	PCB		1
49				
48				
47	SEE TABLE	I.C. Z8060	L1,1A,49,8*	4
46	SEE TABLE	I.C. 2681	L51	1
45	376-0501	I.C. 74156	L23	1
44	376-0566	I.C. 74LS21	L27	1
43	376-0575	I.C. 74LS166	L16	1
42	376-0574	I.C. 74LS163	L37	1
41	376-0556	I.C. 74503	L4,11,12,20	4
40	376-0512	I.C. 74LS112	L56	1
39	376-0509	I.C. 745112	L38	1
38	376-0471	I.C. 26LS32	L41,58	2
37	376-0470	I.C. 26LS31	L34,65	2
36	376-0310	I.C. 74LS373	L9,10	2
35				
34	376-0303	I.C. 74LS299	L62,77	2
33	376-0302	I.C. 74LS273	L17,29,60	3
32	376-0288	I.C. 74LS244	L28,45,53	3
31	376-0286	I.C. 74LS374	L70,85	2
30	376-0285	I.C. 74LS245	L2,3	2
29	376-0236	I.C. 74LS164	L48,57	2
28	376-0235	I.C. 74LS163	L64,72,79	3
27	376-0233	I.C. 74LS161	L25	1
26	376-0226	I.C. 74LS139	L14	1
25	376-0225	I.C. 74LS11	L54	1
24	376-0220	I.C. 74LS193	L8,15,36,43	4
23	376-0218	I.C. 74LS85	L6	1
22	376-0216	I.C. 74LS157	L59,66	2
21	376-0211	I.C. 74LS32	L21,26,46	3
20	376-0208	I.C. 74LS02	L22	1
19	376-0206	I.C. 74S260	L24	1
18	376-0202	I.C. 74S74	L33,	1
17	376-0200	I.C. 74S08	L40	1
16	376-0180	I.C. 74LS04	L5,31,35,47	4
15	376-0160	I.C. 74LS175	L30,67	2
14	376-0158	I.C. 74LS155	L13	1
13	376-0155	I.C. 74LS74	L7,17,18,39,63,71,86,87	8
12	376-0153	I.C. 74LS08	L32,42,55,78	4
11				
10	350-0548	25 PIN. CONN.	J1	1
9	350-0520	25 PIN. CONN.	J2	1
8				
7	330-3048	RES. 4.7K 1/4W 5%	R17,23,15A,15B	4
6	330-3011	RES. 1K 1/4W 5%	R1,2,4,5,6,8,10,11,14,15,18,2A,7A,14A	14
5	330-2057	RES. 560Ω 1/4W 5%	R3,7	2
4	330-2023	RES. 220Ω 1/4W 5%	R1A,1B,8A,19-22,24	8
3				
2	300-4022	CAP. 15μF 20V T	C88,89	2
1	300-1116	CAP. .047UF	C1-43,45-48,51,53-58,60,62-67,69-72,77-79,84-87	72
62	615-2310	BAR CODE LABEL		1
61	615-2324	CONN. LABEL		1
60	615-2323	CONN. LABEL		1
59	615-2321	LBL RF SHIELD		1
58	652-0032	6-32 LOCK-NUT		1
57	650-3120	6-32x3/8 PAN HD		1
56	462-0611	STAND-OFF		4
55	376-9030	SKT. 28PIN	L1,1A,69,8*	4
54	376-9079	SKT. 24PIN	L51	1
53				
52	458-3045	RF SHIELD		1
51	465-1250	EJECTOR		1

REVISION
SEE SAT 3

WANG LABORATORIES, INC. JEWELL, MASS. 01938		BY C. A. Bentley	DATE 6-23	APPROVED BY	DATE
MATERIAL	PCB	CAMERA PRINTER INTRE M/L			
FINISH	SEE TABLE D 5291	18			

THIS DRAWING AND THE DATA SHOWN THEREON ARE THE CONFIDENTIAL PROPERTY OF AND ARE PROPRIETARY TO WANG LABORATORIES, INC. THIS DRAWING AND THE DATA SHOWN THEREON MAY NOT BE MADE PUBLIC WITHOUT THE WRITTEN CONSENT OF WANG LABORATORIES, INC. IF FOR ANY REASON THIS DRAWING IS REPRODUCED BY ANY OTHER PARTY, THE REPRODUCER SHALL BE RESPONSIBLE FOR OBTAINING THE WRITTEN CONSENT OF WANG LABORATORIES, INC. IT IS RETURNABLE UPON THE DEMAND OF WANG LABORATORIES, INC.

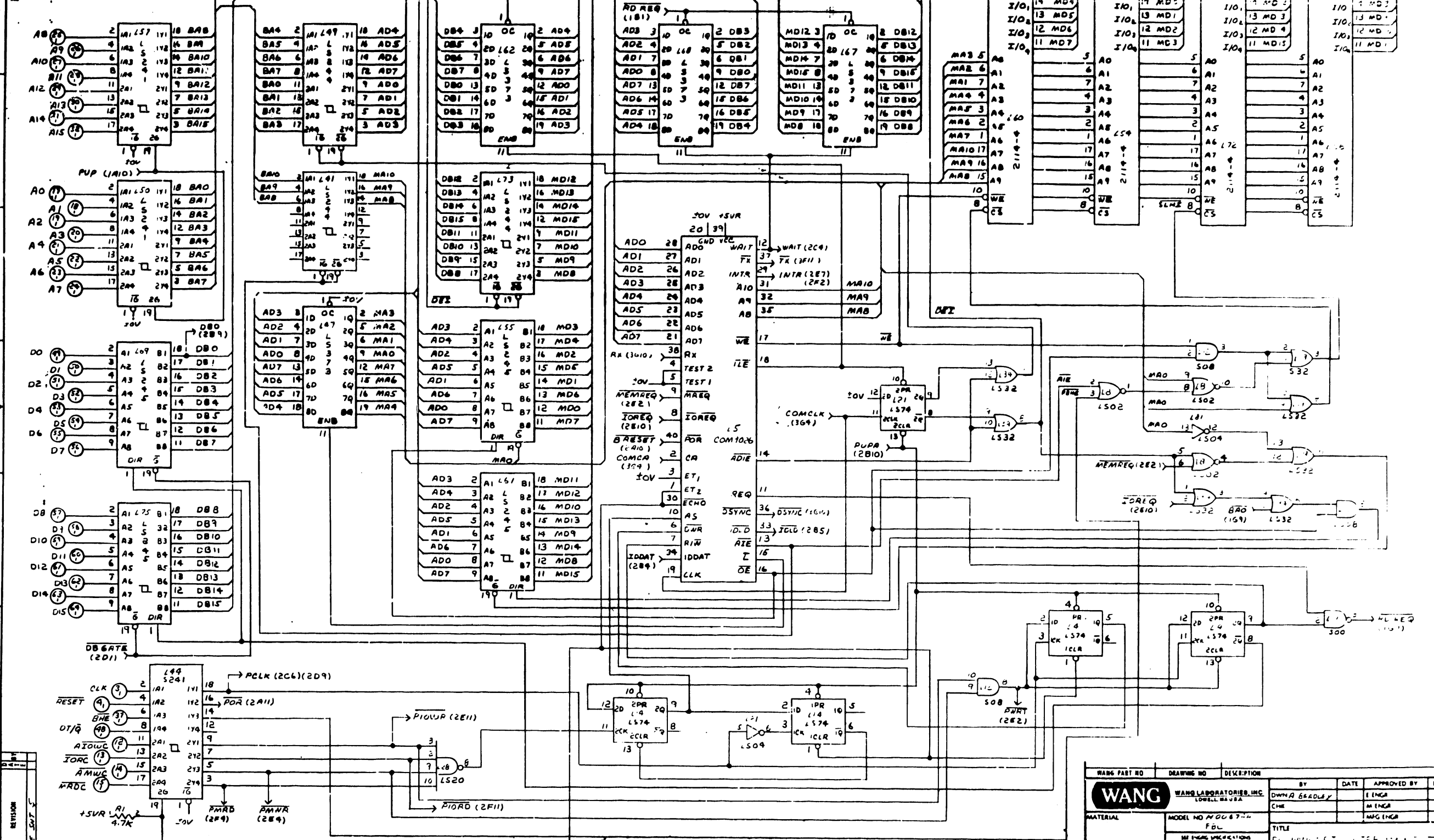


NOTE: ALL RES. ARE 1/4W 5% UNLESS OTHERWISE SPECIFIED. E-REV

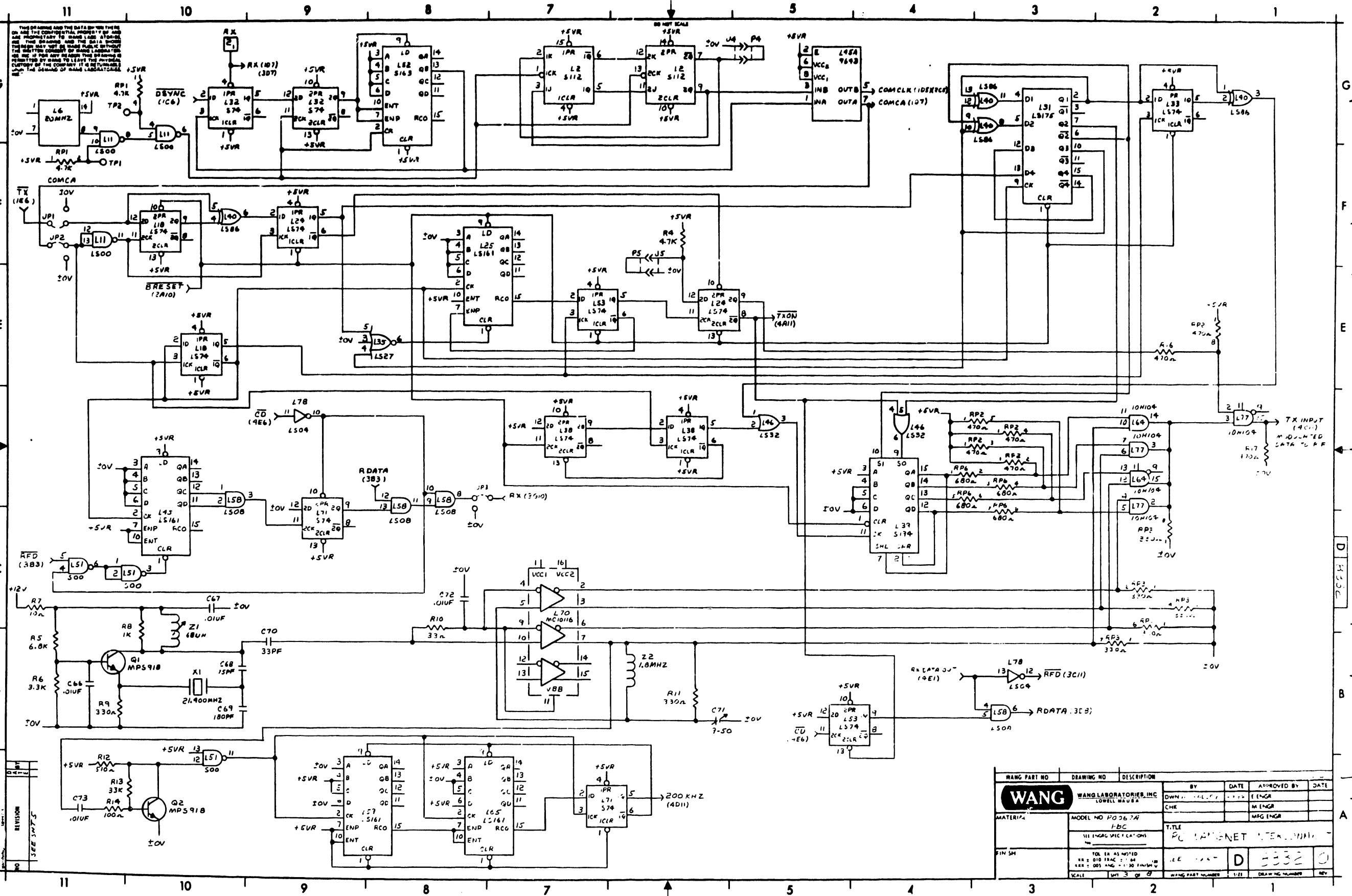
REV	DATE	BY	DESCRIPTION
1	10/15/71	GHW	REVISED PER DCR # 12030
2	11/10/71	GHW	REVISED PER DCR # 12030
3	11/10/71	GHW	REVISED PER DCR # 12030
4	11/10/71	GHW	REVISED PER DCR # 12030
5	11/10/71	GHW	REVISED PER DCR # 12030
6	11/10/71	GHW	REVISED PER DCR # 12030
7	11/10/71	GHW	REVISED PER DCR # 12030
8	11/10/71	GHW	REVISED PER DCR # 12030
9	11/10/71	GHW	REVISED PER DCR # 12030
10	11/10/71	GHW	REVISED PER DCR # 12030

WANG WANG LABORATORIES, INC. LOWELL, MA U.S.A.		BY	DATE	APPROVED BY	DATE
MATERIAL	MODE: NO PCB PH71	OWN	11/10/71	E ENGR M. J. ...	11/10/71
FINISH	11/10/71	M ENGR		MFG ENGR	
TITLE LOCAL INTERCONNECT REPEATER CARD		DRAWING NUMBER			
210-8292		D 8292			
SCALE 1" = 1"		U1			

"THIS DRAWING AND THE DATA HEREIN ARE THE PROPERTY OF WANG LABORATORIES, INC. AND ARE NOT TO BE REPRODUCED OR TRANSMITTED IN ANY FORM OR BY ANY MEANS, ELECTRONIC OR MECHANICAL, INCLUDING PHOTOCOPYING, RECORDING, OR BY ANY INFORMATION STORAGE AND RETRIEVAL SYSTEM. THE DESIGN AND THE DATA HEREIN ARE THE PROPERTY OF WANG LABORATORIES, INC. AND ARE NOT TO BE REPRODUCED OR TRANSMITTED IN ANY FORM OR BY ANY MEANS, ELECTRONIC OR MECHANICAL, INCLUDING PHOTOCOPYING, RECORDING, OR BY ANY INFORMATION STORAGE AND RETRIEVAL SYSTEM. THE DESIGN AND THE DATA HEREIN ARE THE PROPERTY OF WANG LABORATORIES, INC. AND ARE NOT TO BE REPRODUCED OR TRANSMITTED IN ANY FORM OR BY ANY MEANS, ELECTRONIC OR MECHANICAL, INCLUDING PHOTOCOPYING, RECORDING, OR BY ANY INFORMATION STORAGE AND RETRIEVAL SYSTEM."



WANG PART NO	DRAWING NO	DESCRIPTION	BY	DATE	APPROVED BY	DATE
			DWNA BARDLEY		E ENGR	
			CHE		M ENGR	
					MG ENGR	
MATERIAL	MODEL NO 720-7-11	F&L	TITLE			
			PC WANG 720 INTERFACIAL			
FINISH	TOL 12 AS NOTED					
	AS 2 B9 FRAC 2 1/8					
	AS 2 B9 ANG 2 1/8					
	SCALE 1/8" = 1"					

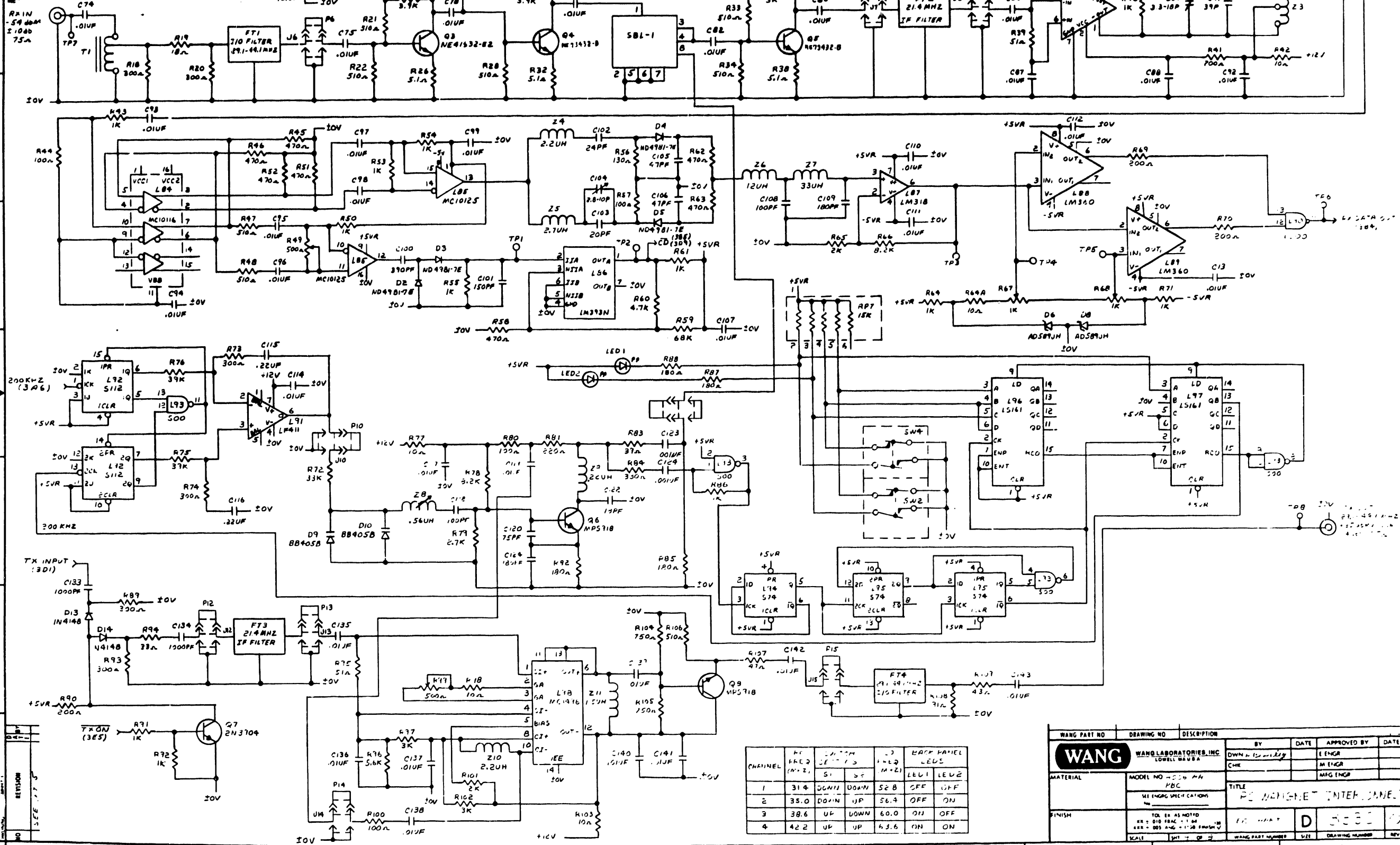


77 11 10 9 8 7 5 4 3 2 1 22

11 11 5 8 5 8 11 8 5 11 17 22

WANG PART NO	DRAWING NO	DESCRIPTION	BY	DATE	APPROVED BY	DATE
WANG	WANG LABORATORIES, INC. LOWELL, MASS.		DWN	11/10/77	E ENGR	
			CHK		M ENGR	
					MFG ENGR	
MATERIAL	MODEL NO PD 26 7A		TITLE			
	HBC		PC BOARD NET (EX. 1111)			
	111 ENGR. VICE PRES.					
FIN SH	TOL. IS AS NOTED		DATE	D	3332	
	REF. TO DIM. PARTS		SCALE	1:1	DRAWING NUMBER	REV

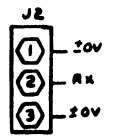
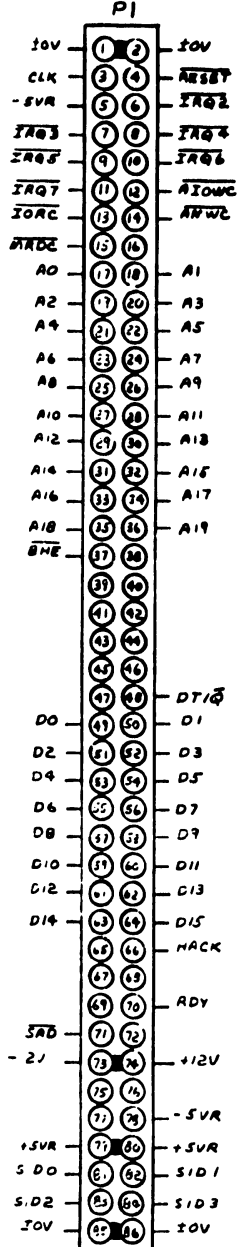
THIS DRAWING AND THE DATA SHEET THEREON ARE THE CONFIDENTIAL PROPERTY OF WANG AND SHOULD BE KEPT IN STRICTLY CONFIDENTIAL. THESE DRAWINGS AND THE DATA SHEET THEREON ARE NOT TO BE REPRODUCED OR TRANSMITTED IN ANY FORM OR BY ANY MEANS, ELECTRONIC OR MECHANICAL, INCLUDING PHOTOCOPYING, RECORDING, OR BY ANY INFORMATION STORAGE AND RETRIEVAL SYSTEM, WITHOUT THE WRITTEN CONSENT OF WANG LABORATORIES, INC. IF YOU ARE NOT AN EMPLOYEE OF WANG LABORATORIES, YOU SHOULD NOT BE RECEIVING THIS DRAWING. THE INFORMATION CONTAINED HEREIN IS UNCLASSIFIED BY 60320 UCBAW/STW ON 08-28-2010. THE INFORMATION CONTAINED HEREIN IS UNCLASSIFIED EXCEPT WHERE SHOWN OTHERWISE.



CHANNEL	FREQ (MHz)	UP/DN	LED 1	LED 2
1	31.4	DOWN	OFF	OFF
2	35.0	DOWN	OFF	ON
3	38.6	UP	ON	OFF
4	42.2	UP	ON	ON

WANG PART NO	DRAWING NO	DESCRIPTION	BY	DATE	APPROVED BY	DATE
WANG WANG LABORATORIES, INC. LOWELL, MASS.			DNW	10/1/77	E ENGR	
			CHK		M ENGR	
MATERIAL			TITLE			
MODEL NO. H-200-AH			PC MAINNET INTER. PANEL			
FINISH			SCALE			
VOL. 11 OF 11010 REV. 010 08-11-84 REV. 003 08-11-88 FINISH 11			DATE	DATE	DATE	DATE
SCALE			WANG PART NUMBER	SIZE	DRAWING NUMBER	REV

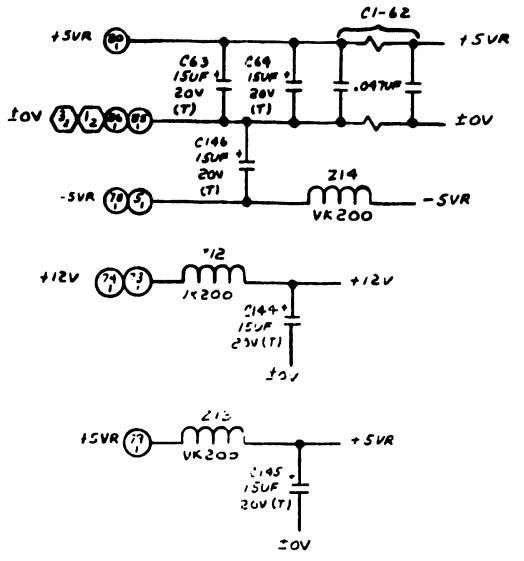
THIS DRAWING AND THE DATA ON IT ARE THE PROPERTY OF WANG LABORATORIES, INC. AND ARE LOANED TO YOU FOR YOUR INFORMATION ONLY. YOU ARE NOT TO REPRODUCE OR TRANSMIT THIS INFORMATION IN ANY FORM OR BY ANY MEANS, ELECTRONIC OR MECHANICAL, INCLUDING PHOTOCOPYING, RECORDING, OR BY ANY INFORMATION STORAGE AND RETRIEVAL SYSTEM. YOU ARE TO RETURN THIS DRAWING TO WANG LABORATORIES, INC. UPON THE COMPLETION OF YOUR PROJECT.



I.C. TYPE	LOCATION	SPARES
74500	L51	1
	L11	1
74LS00	L90	3
74LS02	L8	1
74LS03	L26	3
74LS04	L73	5
	L81	2
74LS08	L10	1
	L19	1
74LS20	L20	1
	L28	1
74LS82	L46	2
	L74	2
74LS32	L79	2
74LS74	L71	1
74LS74	L94	1
10H104	L64	2
	L77	1

MNEMONICS	COORD.
A0-A15	1F11
A16-A19	2C11
AIOWC	1A11
AMWC	1A11
ONE	1B11
CLK	1B11
D0-D15	1D11
DT/Q	1B11
HACK	2C11
RDY	
IORC	1A11
IAQ2-IAQ7	2G1
ARDC	1A11
RESET	1B11
RDY	2B1
RA	3G10
SAD	2G11
S.D0-S.D3	2F11

210 = 209 + 377 OR 378			
210	209	L5	L17
0332A	0332	377-0511	377-0900



NOTE: ALL RES ARE 1/4W 5%, UNLESS OTHERWISE SPECIFIED

REVISION	DATE	BY
1	11.64	AB
2		

WANG PART NO	DRAWING NO	DESCRIPTION	BY	DATE	APPROVED BY	DATE
WANG	WANG LABORATORIES, INC. LOWELL MAUSA		DWN		E ENGR	
			CHR		M ENGR	
MATERIAL	MODEL NO P2057AR CSB	TITLE PC MAGNET INTER CONNECT				
FINISH	TOL IS AS NOTED R&R ± .015 FRACTION R&R ± .003 ANG ± .1° 30 MIN SCALE 1/8" = 1"	SEE CHECK				
					D	8332

BOARD NO. & TITLE: C0332 PC WANGNET INTERCONNECT SCHEMATIC REVISION (S): 00 SHEET OF PAGE 1
ASSEMBLY: 300
CREATED: 07/21/84 11:31
LAST MODIFIED: 02/29/84 10:41 BY: LGS
EDITING REVISION: 7

Table with columns: REF. DES., WANG PART NO., VALUE/TYP, DESCRIPTION, QTY. Includes parts like FT1 (210-0107-), FT2-FT3 (210-0108-), C122 (200-1010-), etc.

Table with columns: REF. DES., WANG PART NO., VALUE/TYP, DESCRIPTION, QTY. Includes parts like 26 (330-0701-), 27 (330-0702-), 28 (330-0703-), etc.

Table with columns: REF. DES., WANG PART NO., VALUE/TYP, DESCRIPTION, QTY. Includes parts like R01 (330-2023-), R10 (330-2031-), R73-R74 (330-2034-), etc.

Table with columns: REF. DES., WANG PART NO., VALUE/TYP, DESCRIPTION, QTY. Includes parts like R72-R76 (330-0400-), R91 (330-0812-), R92-R94 (333-0845-), etc.

Approval stamp with 'WANG' logo, company name 'WANG LABORATORIES, INC.', and fields for 'BY', 'DATE', 'APPROVED BY', 'DATE', 'MATERIAL', 'MODEL NO.', 'TITLE', 'FINISH'. Title: PC WANGNET INTERCONNECT.

8.5

8.5

8.5

8.5

11

17

17

11

8.5

8.5

11

17

REF. DES.	WANG PART NO.	VALUE/TYP	DESCRIPTION	DRAWING NO.	QTY.
L8	376-0200-	74LS02	IC QUAD 2-INPUT NAND GATE		1
L20	376-0210-	74LS20	IC DUAL 4-INPUT NAND GATE		1
L3	376-0211-	74LS23	IC QUAD 2-INPUT OR GATE		1
L34					
L40					
L42	376-0210-	74LS04	IC 4-BIT INVERTER		3
L40					
L82					
L99	376-0201-	74S104	IC 4 BIT SHIFT REGISTER		1
L81	376-0220-	74S00	IC QUAD 2-INPUT NAND GATE		1
L80	376-0231-	74LS06	IC QUAD 2-INPUT EXCLUSIVE-OR GATE		1
L13	376-0233-	74LS161	IC SYNCHRONOUS 4-BIT BINARY COUNTER W/DIRECT CLEAR		7
L20					
L80					
L99					
L80					
L80 - L97					
L82	376-0230-	74S163	IC SYNCHRONOUS 4-BIT BINARY COUNTER		1
L20	376-0230-	74S10	IC TRIPLE 3-INPUT NAND GATE		1
L30	376-0245-	74LS27	IC TRIPLE 3-INPUT NAND GATE		1
L80	376-0204-	74LS241	IC OCTAL BUFFER/LINE DRIVER W/TRI STATE		3
L80					
L87					
L88	376-0206-	74LS248	IC OCTAL BUS TRANSDUCER TRI-STATE OUTPUTS		4
L61					
L80					
L70					
L70 - L90	376-0206-	74LS244	IC OCTAL BUFFER/LINE DRIVER W/TRI STATE		9
L41					
L43					
L49					
L63					
L73 - L74					
L80					
L18 - L16	376-0294-	74LS130	IC 3-LINE TO 8-LINE DECODER/MULTIPLEXER		2
L36	376-0302-	74LS273	IC OCTAL D-TYPE FLIP-FLOP W/CLEAR		1
L47	376-0310-	74LS273	IC OCTAL D-TYPE LATCH TRI-STATE OUTPUTS		4
L62					
L67 - L68					
L85	376-0462-	MC10125	IC QUAD TRANSLATOR MECL TO TTL		1
L17	376-0501-	74156	IC DUAL 2-TO-4-LINE DECODER/MULTIPLIER		1
L7	376-0509-	74S112	IC DUAL 3-K NEG-EDGE-TRIG F/F W/PRESET AND CLR		2
L92					
L86	376-0520-	LM309	IC DUAL COMPARATOR 8 PIN DIP		1
L91	376-0530-	LF411	IC SFTY INPUT OP AMP 8 PIN DIP		1
L83	376-0540-	MC1340	IC IF AMPLIFIER 8 PIN DIP		1
L90	376-0543-	MC1400	IC BALANCED MODULATOR/DEMULATOR 14 PIN DIP		1
L76	376-0536-	SN74503	IC QUAD 2-INPUT NAND OPEN COLLECTOR OUTPUT		1
L80 - L80	376-0560-	LM360	IC LM360 HI SPEED DIFF COMPARATOR 8 PIN DIP		2
L70	376-0563-	MC10116	IC ECL TRIPLE LINE RECEIVER 16 PIN DIP		2

BOARD NO. & TITLE: C0332 PC WANGNET INTERCONNECT SCHEMATIC REVISION (S): 00 SHEET OF PAGE 7

WANG PART NO.	VALUE/TYP	DESCRIPTION	DRAWING NO.	QTY.
376-0540-	LM360	IC LM360 HI SPEED DIFF COMPARATOR 8 PIN DIP		2
376-0600-	9643	IC UA9643 DUAL TTL TO MOS DRIVER 8 PIN DIP		1

(CAUTION - THE FOLLOWING PARTS/COMPONENTS CONTAINED IN THIS B.O.M. ARE SINGLE VENDOR SOURCED)

*** END OF REPORT ***

REF. DES.	WANG PART NO.	VALUE/TYP	DESCRIPTION	DRAWING NO.	QTY.
L80	376-0670-	74LS164	IC PAR/SER IN SER OUT 8-BIT SHIFT REGISTERS		1
L76	376-0600-	9643	IC UA9643 DUAL TTL TO MOS DRIVER 8 PIN DIP		1
L68	376-0721-	10M104	IC ECL QUAD 2-INPUT AND GATE		2
L77					
L87	376-0722-	318	IC HI SPEED OP AMP 8 PIN DIP		1
L8	376-9011-	SKT40	SOCKET 40 PIN DIL PC MOUNT		1
L17	376-9010-	SKT 20	IC SOCKET 20 PIN DIL MOUNT		1
L4	377-8393-	21144	IC I2C4 STATIC RAM 200NS LOW POWER 16 PIN		4
L60					
L66					
L72					
D1	500-1012-	100144	D10 SIG 78V 250MA AMS D0-10		1
D10 - D14	500-1014-	100148	D10 SIG 78V 500MA D010		2
D2 - D8	500-1020-	W48487	D10 SCKY MIXER SV 100W 150W D0-10		4
D6	500-2102-	AD504LN	VOLT REF 120M 1.2V 50W TUD TUD TO-18		2
D9 - D10	500-4020-	8040B	D10 VARACTOR 30V 200MA 2.5PF/30V AXIAL PCB		2
D20	510-8332-		INSULATOR (8332) (FOR FT1-FY4)		1
D30 - D33	610-0433-		SCRIBER NO 1 .375		4
D33 - D34	650-0120-		MUT #8-32		3
D35	650-0220-		CONN PC HEADER SINGLE ROW .100		3
J3	664-0104-		CONN PC HEADER SINGLE ROW .100 R/A		3
J6 - J6					
J1	664-0132-		CONN PC HEADER SINGLE ROW .100 R/A		1
T91 - T96	664-3022-		CONTACT MALE POINT .050 DIA GOLD LOOSE		8

WANG LABORATORIES, INC. ELECTRICAL PARTS LIST SHEET OF PAGE 1

(FINAL BILL-OF-MATERIALS)

BOARD NO. & TITLE: C0332 PC WANGNET INTERCONNECT ASSEMBLY: 210-A CREATED: 02/21/84 11:51
 SCHEMATIC REVISION (S): 00 ASSEMBLY REVISION (A): 00 LAST MODIFIED: 02/29/84 15:41 BY: LEG
 DW OR MOST RECENT ECO: E2349 EDITING REVISION: 7

REF. DES.	WANG PART NO.	VALUE/TYP	DESCRIPTION	DRAWING NO.	QTY.
016	409 8332-		PCA		1
05	320-0133-		TOROID T28-6, 1BT, CT #18		1
04	350-2120-	1 CONT	CONN ADPTR FEMALE SOLDER END F-61		2
06					
05	350-2130-	1 CONT	CONN ADPTR FEMALE RM/LN F-61-LH		1
07	350-2100-		CONN ADAPTER FEM RM/LN THREAD F-61-LH S00350-0043		1
L17	377-0400-	2732	IC NCR4 UV EPROM 450 NS (5V)		1
L5	377-0511-	9026	LOCAL AREA NETWORK CONTROLLER 40PIN		1
02	410-0277-		SR TO 75 OHM MATCHING TRANSFORMER MCR-P4398A		1
08	461-2467-		COVER, RF SHIELD (8332)		1
09	462-3049-		SHIELD RF BOTTOM (8332)		1
01	462-3050-		SHIELD FR BARRIER (8332)		1
010	468-3309-		RF SHIELD WELDMENT (8332)		1
011	468-1250-		EJECTOR PC CARD 09 HIG		1
012 - 014	650-4120-		8-32 X 3/8 PAN HO PHL HS SS SEMS		3
015	652-0029-		8-32 LOCK NUT KEPS 511-001800-50		1

WANG WANG LABORATORIES, INC. LOWELL, MA U.S.A.		BY	DATE	APPROVED BY	DATE
MATERIAL		DWN		E ENGR	
MODEL NO.		CHR		M ENGR	
SEE ENGR SPECIFICATIONS No. _____				MFG ENGR	
FINISH		TITLE PC WANGNET INTERCONNECT			
TOL EX AS NOTED XX ± 0.10 FRAC ± 1/64 XXX ± 0.05 ANG ± 1°30' FINISH		D	8332	0	
SCALE	SMT 7 OF 8	WANG PART NUMBER	SIZE	DRAWING NUMBER	REV

17"

11"

8.5"

8.5"

11"

17"
v8

17"

11"

8.5"

8.5"


11"

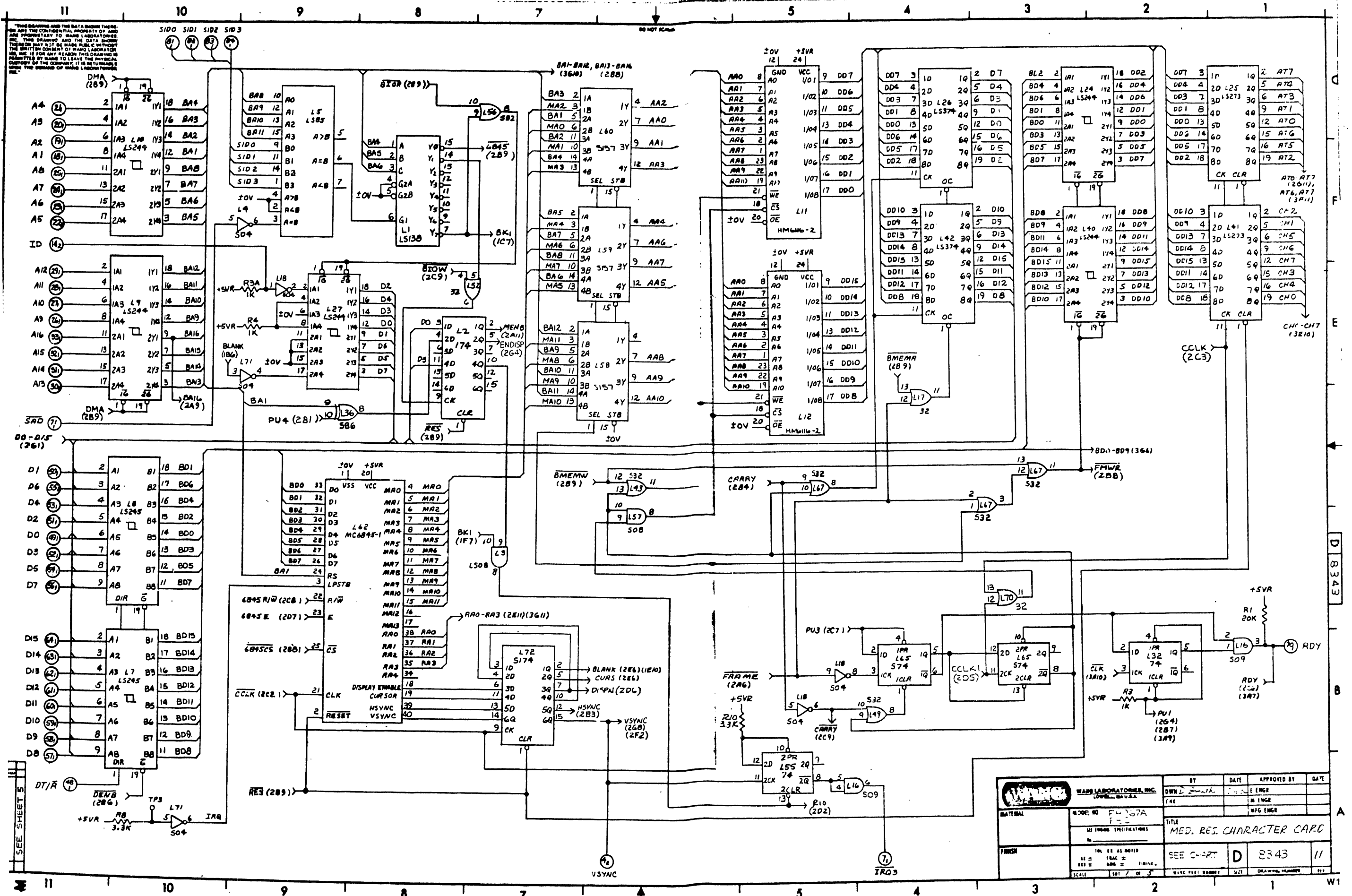
17"

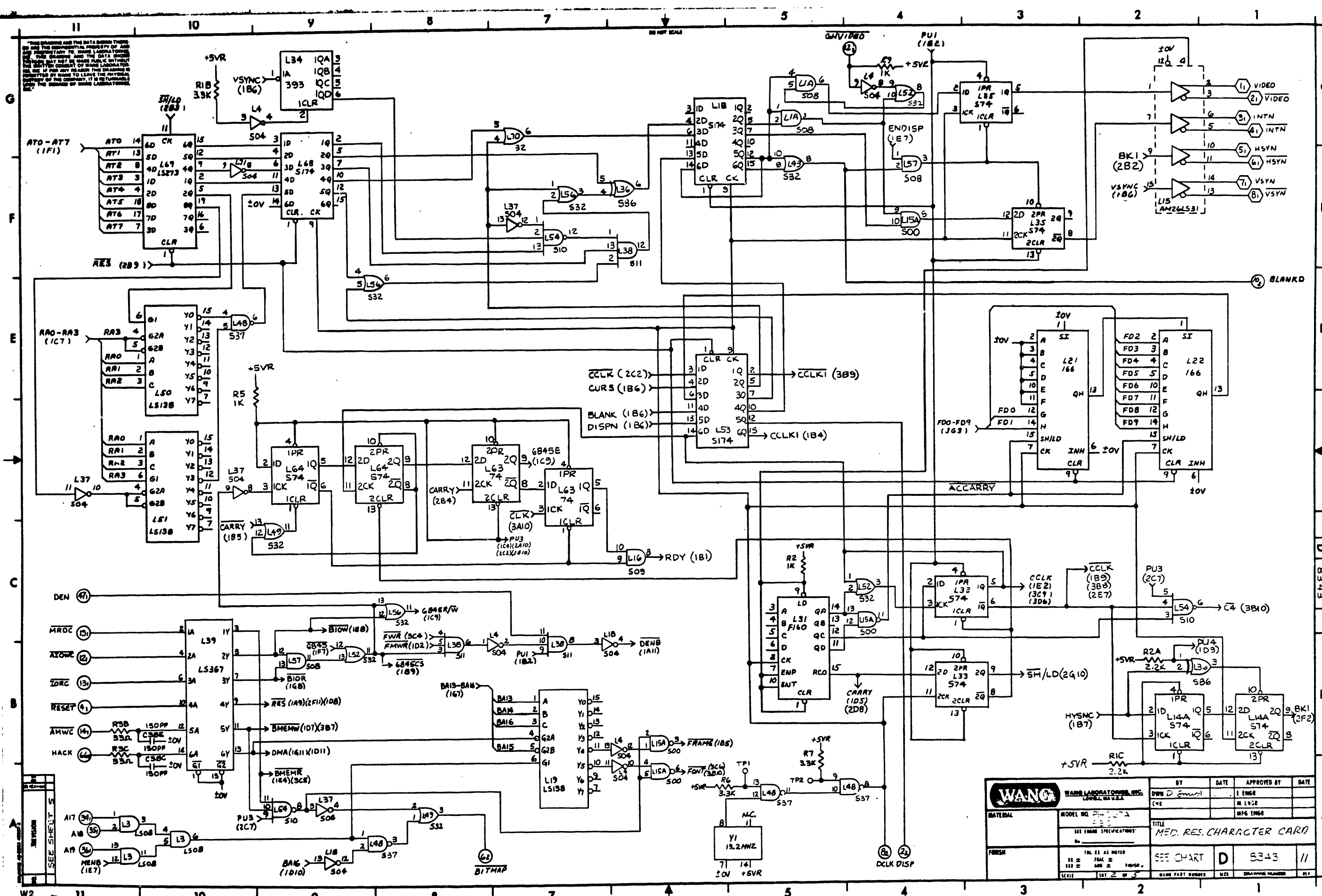
BOARD NO. & TITLE: C8332 PC WANGNET INTERCONNECT SCHEMATIC REVISION (S): 00 / 1 SHEET OF PAGE 2
 WANG PART NO. VALUE/TYPE DESCRIPTION DRAWING NO. QTY.

(CAUTION - THE FOLLOWING PARTS/COMPONENTS CONTAINED IN THIS B.O.N. ARE NOT RECOMMENDED FOR NEW DESIGNS)
 377-9511- 9026 LOCAL AREA NETWORK CONTROLLER 40P10 1

*** END-OF-REPORT ***

 WANG LABORATORIES, INC. LOWELL, MA U.S.A.		BY	DATE	APPROVED BY	DATE	
		DWN		E ENGR		
MATERIAL MODEL NO. SEE ENG'G SPECIFICATIONS NO. _____		CHK		M ENGR		
		TITLE PC WANGNET INTERCONNECT				
FINISH	TOL EX AS NOTED DR ± .010 FRAC ± 1/64 HXX ± .005 ANG ± 1° 30' FINISH ✓			D	8332	0
	SCALE	SHT 8 OF 8	WANG PART NUMBER	SIZE	DRAWING NUMBER	REV

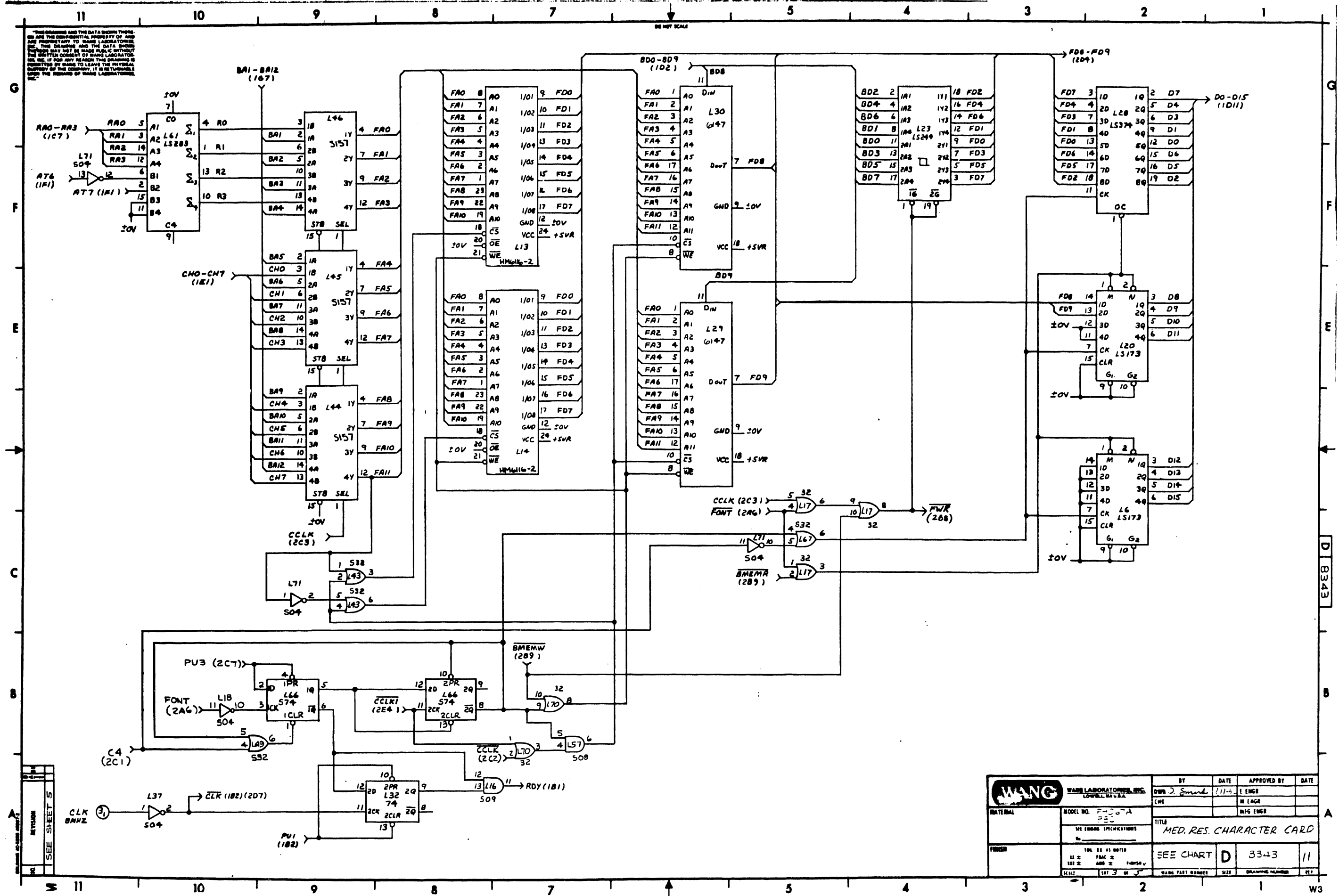




THIS DRAWING AND THE DATA THEREON ARE THE PROPERTY OF WANG LABORATORIES, INC. AND ARE TO BE USED ONLY FOR THE PURPOSES SPECIFIED IN THE ORDER. NO PART OF THIS DRAWING IS TO BE REPRODUCED OR TRANSMITTED IN ANY FORM OR BY ANY MEANS, ELECTRONIC OR MECHANICAL, INCLUDING PHOTOCOPYING, RECORDING, OR BY ANY INFORMATION STORAGE AND RETRIEVAL SYSTEM, WITHOUT THE WRITTEN PERMISSION OF WANG LABORATORIES, INC.

WANG WANG LABORATORIES, INC. LITTLE FALLS, N.J. U.S.A.		BY	DATE	APPROVED BY	DATE
MODEL NO. 72-100-2		DWN D Emert		E ENGR	
SEE DRAWING SPECIFICATIONS		CVE		M LSGR	
TITLE				MFG ENGR	
MED. RES. CHARACTER CARD					
SCALE		1:1			
PART NUMBER		SEE CHART	D	8343	11
DRAWING NUMBER					

THIS DRAWING AND THE DATA SHOWN THEREON ARE THE CONFIDENTIAL PROPERTY OF AND ARE PROPRIETARY TO WANG LABORATORIES, INC. THE DRAWING AND THE DATA SHOWN HEREON MAY NOT BE MADE PUBLIC WITHOUT THE WRITTEN CONSENT OF WANG LABORATORIES, INC. IF FOR ANY REASON THIS DRAWING IS FURNISHED BY HAND TO LEAVE THE PHYSICAL POSSESSION OF THE COMPANY, IT IS TO REMAIN THE PROPERTY OF WANG LABORATORIES, INC.



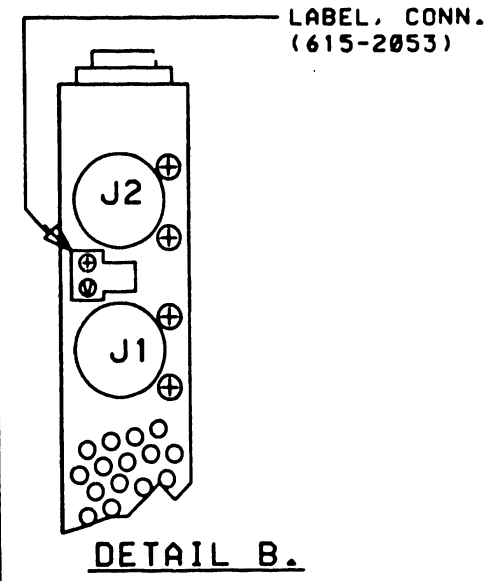
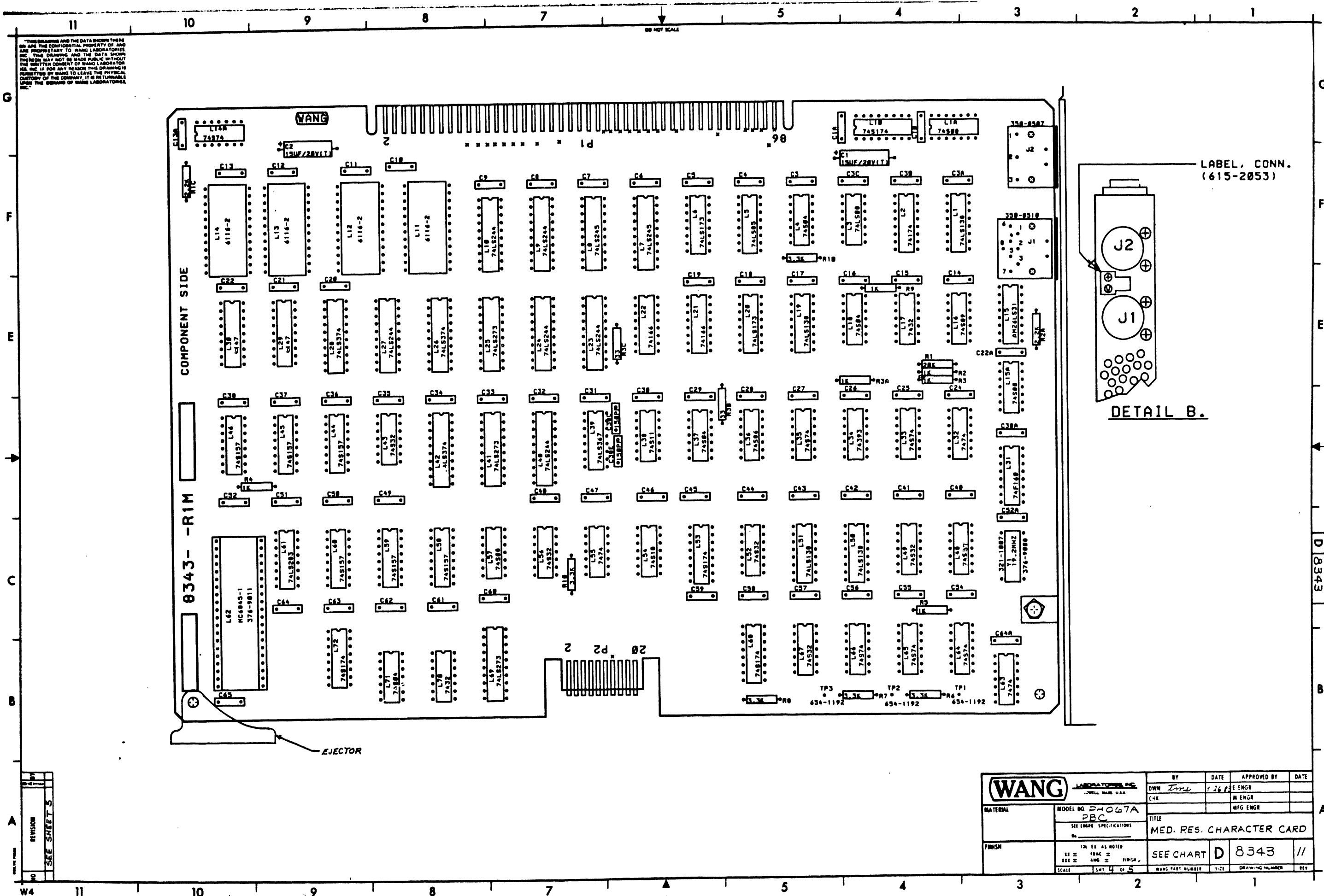
WANG WANG LABORATORIES, INC. LOWELL, MASSACHUSETTS		BY DWR J. Smith	DATE 11-75	APPROVED BY E ENGR	DATE
MATERIAL	MODEL NO. F-300A PEC	CHK		MFG ENGR	
SPECIFICATIONS		TITLE MED. RES. CHARACTER CARD			
FIGURE	SEE CHART	D	3343	11	
SCALE	1:1	WANG PART NUMBER	SIZE	DRAWING NUMBER	REV

REVISION
SEE SHEET 5

D 3343

W3

THE DRAWING AND THE DATA SHOWN THERE ON ARE THE CONFIDENTIAL PROPERTY OF AND ARE PROPRIETARY TO WANG LABORATORIES, INC. THIS DRAWING AND THE DATA SHOWN THEREIN MAY NOT BE MADE PUBLIC WITHOUT THE WRITTEN CONSENT OF WANG LABORATORIES, INC. IF FOR ANY REASON THIS DRAWING IS PERMITTED BY WANG TO LEAVE THE PHYSICAL POSSESSION OF THE COMPANY, IT IS RETURNABLE TO THE WANG LABORATORIES, INC.



NO.	REVISION

SEE SHEETS

		BY	DATE	APPROVED BY	DATE
		OWN	26	ENGR	
MODEL NO. PH067A PBC SEE ENG. SPECIFICATIONS				M ENGR	
				MFG ENGR	
FINISH 100% AS NOTED 100% FRAC = FINISH 100% ANG = FINISH SCALE 1/8" = 1"		TITLE			
		MED. RES. CHARACTER CARD			
		SEE CHART	D 8343		
		WANG PART NUMBER	1-22	DRAWING NUMBER	

THIS DRAWING AND THE DATA SHOWN THEREIN ARE THE CONFIDENTIAL PROPERTY OF AND ARE PROPRIETARY TO WANG LABORATORIES, INC. THE DRAWING AND THE DATA SHOWN HEREON MAY NOT BE MADE PUBLIC WITHOUT THE WRITTEN CONSENT OF WANG LABORATORIES, INC. IF FOR ANY REASON THIS DRAWING IS FORWARDED TO ANY OTHER PARTY, THE PHYSICAL PROPERTY OF THE COMPANY, IT IS RETURNABLE TO THE HEADQUARTERS OF WANG LABORATORIES, INC.

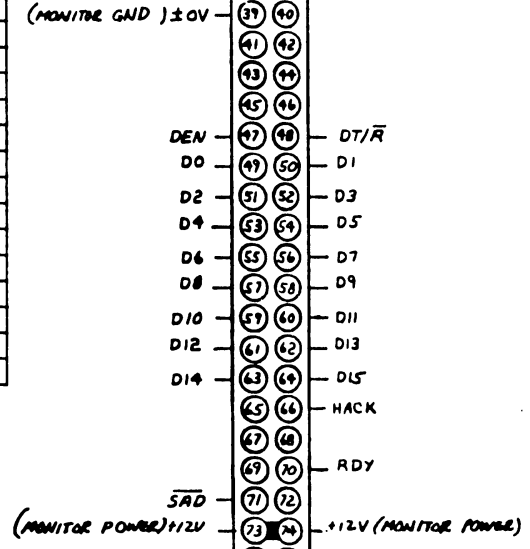
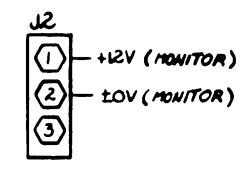
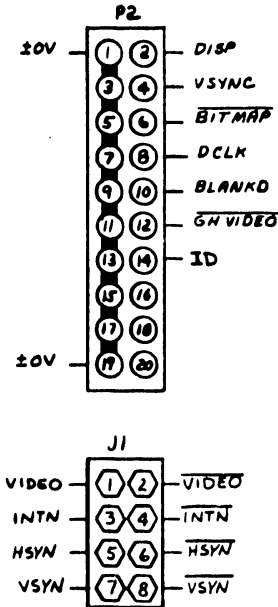
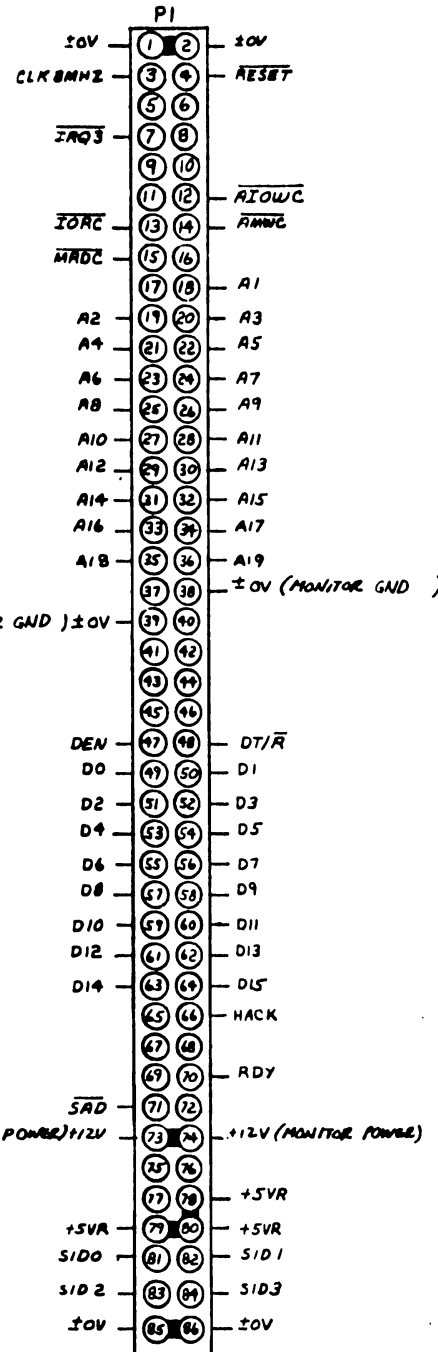
I.C. LOCATION	TYPE	WL PART NO.
L1, 19, 50, 51	74LS138	376-0298
L17, 70	7432	376-0093
L18, 53, 68, 72	74S174	376-0247
L2	74174	376-0098
L3	74LS08	376-0153
L4, 18, 37, 71	74504	376-0137
L5	74LS85	376-0218
L6, 20	74LS173	376-0293
L7, 8	74LS245	376-0295
L9, 10, 23, 24, 27, 40	74LS244	376-0338
L11-14	HM6116-2	377-0428
L14A, 33, 35, 64-66	74574	376-0202
L15	AM26LS31	376-0470
L15A	74500	376-0233
L16	74509	376-0575
L21, 2	74166	376-0109
L25, 41, 69	74LS273	376-0302
L26, 28, 42	74LS374	376-0256
L29, 30	6147	377-0412
L31	74F160	376-0812
L32, 55, 63	7474	376-0006
L34	74393	376-0330
L36	74586	376-0271
L38	74511	376-0237
L39	74LS367	376-0192
L44-46, 58-60	745157	375-0217
L49, 52, 56, 43, 67	74532	376-0205
L48	74537	376-0296
L54	74510	376-0239
L57, 1A	74508	376-0200
L61	74LS283	376-0332
L62	MC6845-1	SEE CHART
L62	40 PIN SKT	376-9011

COMPONENT	TYPE	WL PART NO.
R1	20K 1/4W 5%	330-4021
R1B, 6, 8, 10	3.3K 1/4W 5%	330-3034
R1C, 2A	2.2K 1/4W 5%	330-3023
R2-5, 3A, 9	1K 1/4W 5%	330-3011
R3B, 3C	33Ω 1/4W 5%	330-1034
Y1	TEKNA OSCILLATOR	376-9008
Y1	19.2 MHZ	321-1007
C1, 2	15μf 20V(T)	500-4022
C3-22, 24-33, 40-52, 54-65, 1A, 1B, 3A, 3B, 3C, 13A, 22A, 38A, 52A, 64A	.047μf 50V	300-1966
C33C, 38E	150pf 50V	300-1150
REF.	RF SHIELD	458-3076
REF.	EJECTOR	465-1256
REF.	ROLL PIN	651-1547
J1	8 POS CONN.	350-0542
J2	3 POS CONN.	350-0539
PER. QTY. 1	WATERPROOF	651-0046
REF.	U.T. HEX NUT	65C-0032
REF.	U.T. WASHER	650-1100
REF. QTY. 4	U.T. WASH	651-0011
REF. QTY. 1	LBL. CONN ID	615-2653

MNEMONICS	COORD.
A1-A16	1G11
AXDWC	2B11
AMWC	2B11
BITMAP	2A7
BLANKD	2B1
CLK 8MHZ	3A11
DO-DIS	1D11
DCLK	2A6
DRN	2C11
DT/R	1A11
SHVIDEO	2G3
HACK	2B11
HSYNC	1A7
ID	1F11
IRQ3	1A4
IOAC	2B11
RDY	1B1
SAD	1D11
SID0-SID3	1610
RESET	2B11
RES	1B1
SAD	1D11
SID0-SID3	1610

TYPE	LOCATION	SPACES
74504	L37	1
74508	L1A	3
74532	L56	1
7474	L55	1
74586	L36	1
74393	L34	1

210=209+377		
210	209	L62
8343A	8343	377-0473



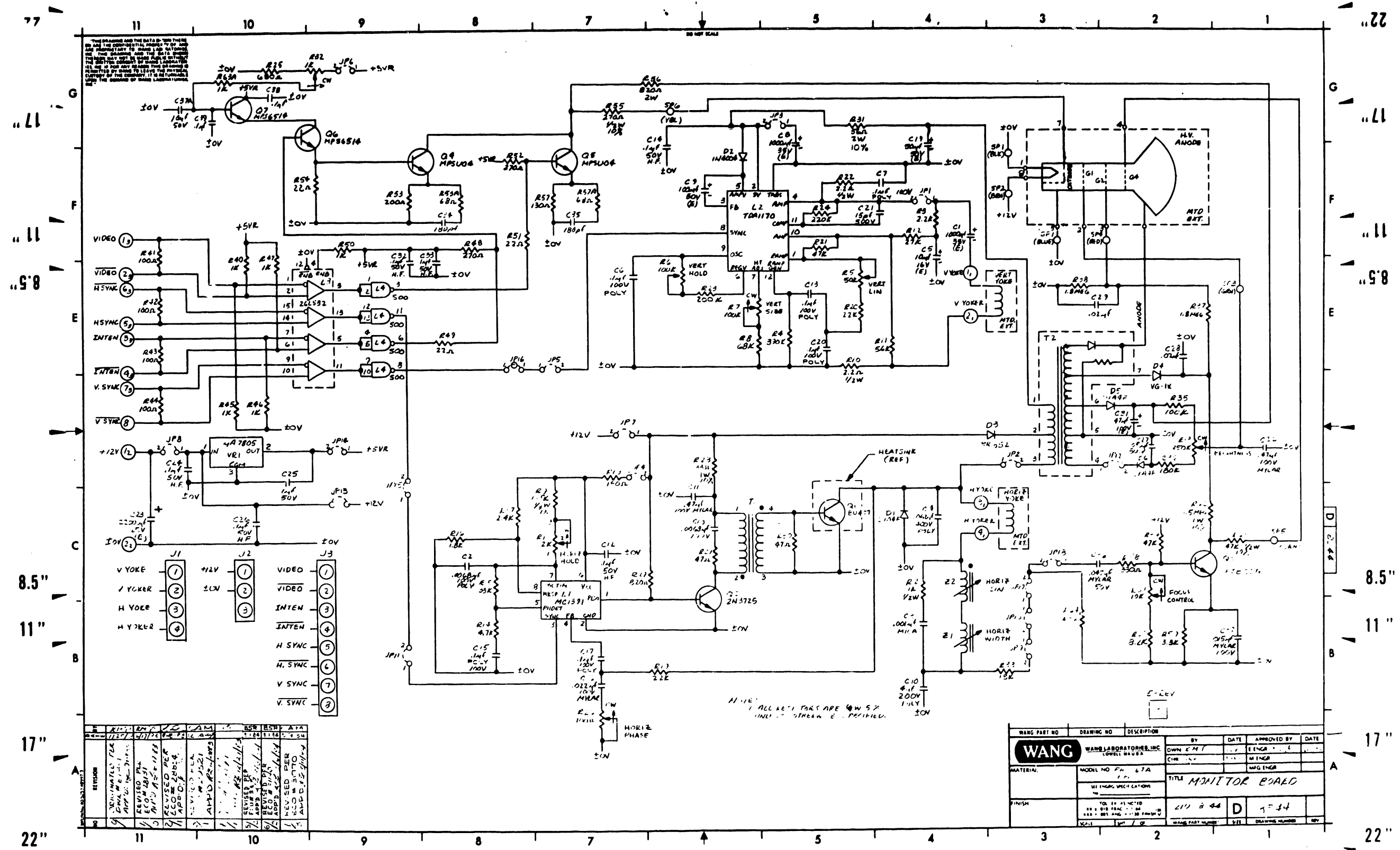
C3-22, 24-36, 40-52, 54-65, 1A, 1B, 3A, 3B, 3C, 13A, 22A, 38A, 52A, 64A

NOTE: 1. ALL RES. 1/4W 5% UNLESS OTHERWISE SPECIFIED.

E-REV 3

NO.	REVISION	DATE	BY	APPROVED BY
1	ORIGINATED PER DSS	12/2/77		
2	REVISED PER DMR	1/15/80		
3	REVISED PER ECD	2/27/80		
4	REVISED PER APP'D	3/11/80		
5	REVISED PER APP'D	3/11/80		
6	REVISED PER APP'D	3/11/80		
7	REVISED PER APP'D	3/11/80		
8	REVISED PER APP'D	3/11/80		
9	REVISED PER APP'D	3/11/80		
10	REVISED PER APP'D	3/11/80		
11	REVISED PER APP'D	3/11/80		
12	REVISED PER APP'D	3/11/80		
13	REVISED PER APP'D	3/11/80		
14	REVISED PER APP'D	3/11/80		
15	REVISED PER APP'D	3/11/80		
16	REVISED PER APP'D	3/11/80		
17	REVISED PER APP'D	3/11/80		
18	REVISED PER APP'D	3/11/80		
19	REVISED PER APP'D	3/11/80		
20	REVISED PER APP'D	3/11/80		

WANG WANG LABORATORIES, INC. LOWELL, MA U.S.A.		BY: <i>D. J. ...</i>	DATE: <i>12/2/77</i>	APPROVED BY: <i>E. ENGR</i>	DATE: <i>12/2/77</i>
MODEL NO. P-057A PBC		TITLE: MED. RES. CHARACTER CARD			
SEE CHART		D 8343		11	
SCALE: 1:1		SHEET 5 OF 5		DRAWING NUMBER: 11	



THIS DRAWING AND THE DATA HEREON ARE THE PROPERTY OF WANG LABORATORIES, INC. AND ARE TO BE KEPT IN CONFIDENTIALITY. NO PART OF THIS DRAWING OR THE DATA HEREON IS TO BE REPRODUCED OR TRANSMITTED IN ANY FORM OR BY ANY MEANS, ELECTRONIC OR MECHANICAL, INCLUDING PHOTOCOPYING, RECORDING, OR BY ANY INFORMATION STORAGE AND RETRIEVAL SYSTEM, WITHOUT THE WRITTEN PERMISSION OF WANG LABORATORIES, INC.

REV	DATE	BY	DESCRIPTION
1	11/27/72	WJ	INITIAL DESIGN
2	12/12/72	WJ	REVISED PER ECOB 148121
3	1/15/73	WJ	REVISED PER ECOB 148121
4	2/21/73	WJ	REVISED PER ECOB 148121
5	3/21/73	WJ	REVISED PER ECOB 148121
6	4/11/73	WJ	REVISED PER ECOB 148121
7	5/11/73	WJ	REVISED PER ECOB 148121
8	6/11/73	WJ	REVISED PER ECOB 148121
9	7/11/73	WJ	REVISED PER ECOB 148121
10	8/11/73	WJ	REVISED PER ECOB 148121
11	9/11/73	WJ	REVISED PER ECOB 148121

WANG PART NO	DRAWING NO	DESCRIPTION	BY	DATE	APPROVED BY	DATE
			DWN E H		E N G R	
			C W		M F G R	
MATERIAL			TITLE MONITOR BOARD			
FINISH			SCALE 1/8" = 1"			

11

WANG LABORATORIES, INC. ELECTRICAL PARTS LIST

SHEET 2 OF 2 M R Z

11

Table with columns: REF. DES., WANG PART NO., VALUE/TYP, DESCRIPTION, DRAWING NO., QTY. Includes parts like C21, C12, C14, etc.

11

5.8

BOARD NO. & TITLE: C8344 MONITOR BOARD SCHEMATIC REVISION (S): 07 SHEET OF PAGE 2

Table with columns: REF. DES., WANG PART NO., VALUE/TYP, DESCRIPTION, DRAWING NO., QTY. Includes parts like R29, R30, R31, etc.

11

5.8

BOARD NO. & TITLE: C8344 MONITOR BOARD SCHEMATIC REVISION (S): 07 SHEET OF PAGE 3

Table with columns: REF. DES., WANG PART NO., VALUE/TYP, DESCRIPTION, DRAWING NO., QTY. Includes parts like R6, R7, R8, etc.

8.5"

11"

BOARD NO. & TITLE: C8344 MONITOR BOARD SCHEMATIC REVISION (S): 07 SHEET OF PAGE 4

(CAUTION - THE FOLLOWING PARTS/COMPONENTS CONTAINED IN THIS B.O.M. ARE NOT RECOMMENDED FOR NEW DESIGNS) 376-0228 74500 IC QUAD 2-INPUT NAND GATE

*** END OF REPORT ***

8.5"

11"

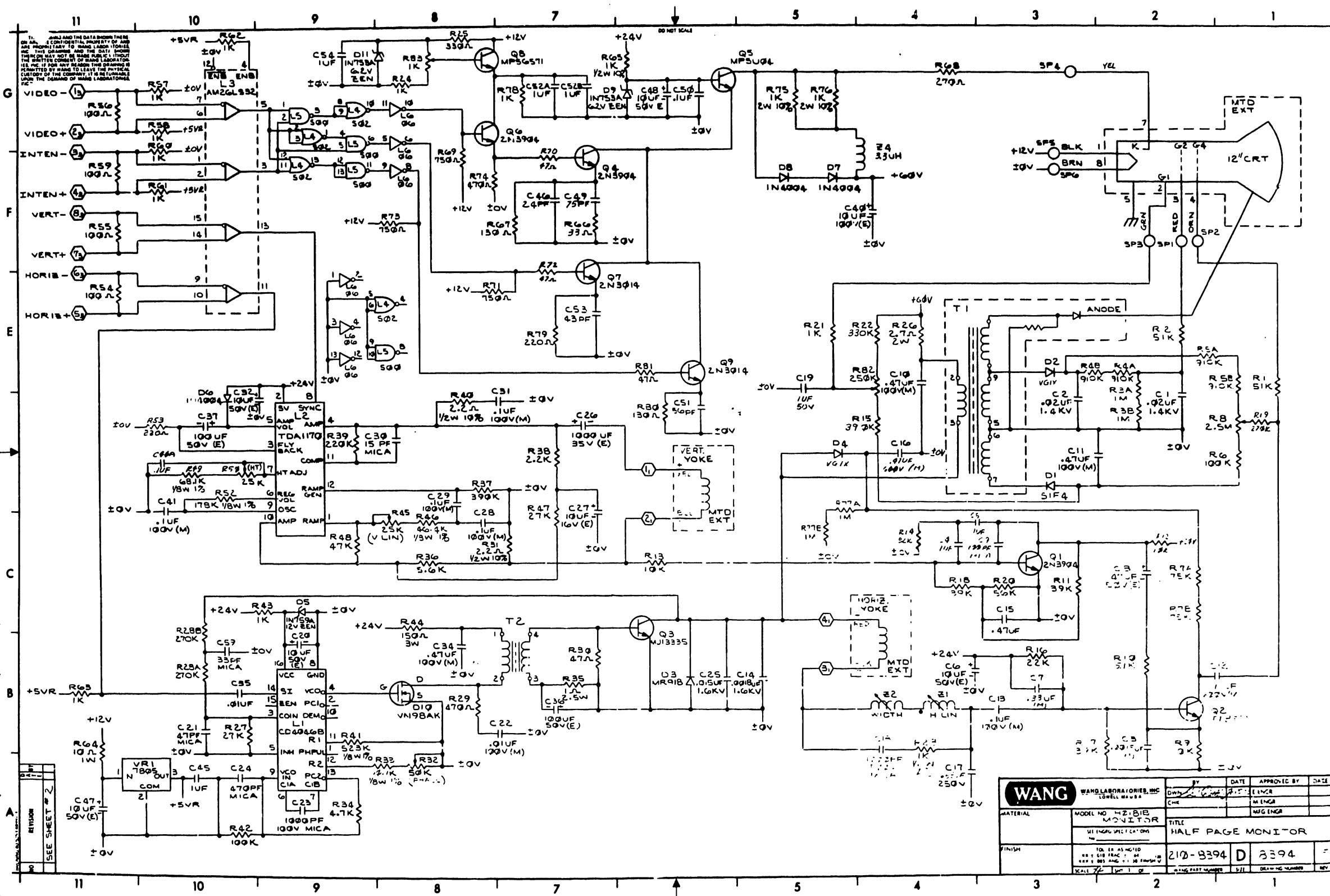
WANG LABORATORIES, INC. LOWELL, MA U.S.A. BY: DWN DATE: E ENGR APPROVED BY: CHK DATE: M ENGR MFG ENGR MATERIAL: MODEL NO: SEE ENGAG SPECIFICATIONS TITLE: MONITOR BOARD FINISH: TOL EX AS NOTED XX ± 0.10 FRAC ± 1/64 IIR ± 0.03 ANG ± 1.30 FINISH V 210-8344 C 8344 7 SCALE: SHT 2 OF 2 WANG PART NUMBER SIZE DRAWING NUMBER REV

17"

X2

17"

77
 11
 98
 8.5"
 11"
 17"
 22"

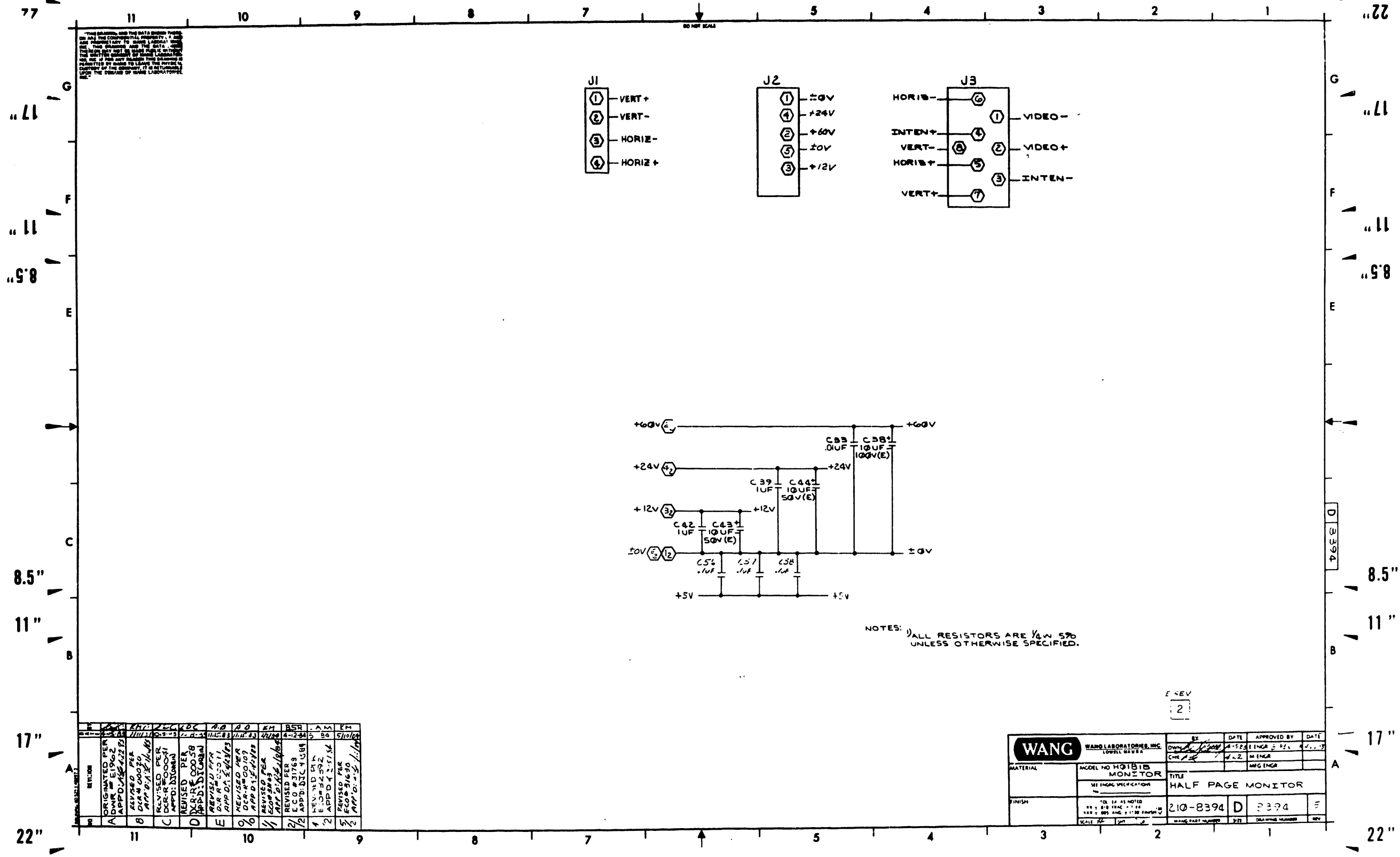


22
 11
 11
 8.5"
 11"
 17"
 22"

1. THIS DRAWING AND THE DATA SHOWN THEREON ARE THE PROPERTY OF WANG LABORATORIES, INC. AND ARE NOT TO BE REPRODUCED, COPIED, OR TRANSMITTED IN ANY FORM OR BY ANY MEANS, ELECTRONIC OR MECHANICAL, INCLUDING PHOTOCOPYING, RECORDING, OR BY ANY INFORMATION STORAGE AND RETRIEVAL SYSTEM, WITHOUT THE WRITTEN CONSENT OF WANG LABORATORIES, INC. IF YOU ARE NOT AN EMPLOYEE OF WANG LABORATORIES, INC., YOU ARE NOT TO BE REPRODUCED, COPIED, OR TRANSMITTED IN ANY FORM OR BY ANY MEANS, ELECTRONIC OR MECHANICAL, INCLUDING PHOTOCOPYING, RECORDING, OR BY ANY INFORMATION STORAGE AND RETRIEVAL SYSTEM, WITHOUT THE WRITTEN CONSENT OF WANG LABORATORIES, INC.

WANG WANG LABORATORIES, INC. LOWELL, MASS.		DATE	APPROVED BY	DATE
MODEL NO. 421BIB MONITOR		DATE	ENGINEER	
SERIAL NO. 210-8394		DATE	MANAGER	
TITLE HALF PAGE MONITOR		DATE	DESIGNER	
SCALE 7/8" = 1"		DATE	DATE	

THIS DRAWING AND THE DATA HEREON ARE THE PROPERTY OF WANG LABORATORIES, INC. AND ARE TO BE KEPT CONFIDENTIAL. NO PART OF THIS DRAWING OR THE DATA HEREON IS TO BE REPRODUCED OR TRANSMITTED IN ANY FORM OR BY ANY MEANS, ELECTRONIC OR MECHANICAL, INCLUDING PHOTOCOPYING, RECORDING, OR BY ANY INFORMATION STORAGE AND RETRIEVAL SYSTEM, WITHOUT THE WRITTEN PERMISSION OF WANG LABORATORIES, INC. IN THE UNITED STATES OF AMERICA. IN OTHER COUNTRIES, IT IS INTENDED TO BE KEPT CONFIDENTIAL AND TO REMAIN THE PROPERTY OF WANG LABORATORIES, INC. OR THE DIVISION OF WANG LABORATORIES, INC.



REV	DATE	BY	CHK	DESCRIPTION
1	11/10/62	DMR	DMR	ORIGINATED PER DMR # E1962 APP'D: JAS
2	11/10/62	DMR	DMR	REVISED PER DMR # 00030 APP'D: JAS
3	11/10/62	DMR	DMR	REVISED PER DER-B-00004 APP'D: DIGNON
4	11/10/62	DMR	DMR	REVISED PER DCR-N-00058 APP'D: DICARLIN
5	11/10/62	DMR	DMR	REVISED PER DCR-R-00011 APP'D: JAS
6	11/10/62	DMR	DMR	REVISED PER DCR-A-00107 APP'D: JAS
7	11/10/62	DMR	DMR	REVISED PER APP'D: JAS
8	11/10/62	DMR	DMR	REVISED PER APP'D: JAS
9	11/10/62	DMR	DMR	REVISED PER E.C.O. #31769 APP'D: DTC, YUB
10	11/10/62	DMR	DMR	REVISED PER E.C.O. #34292 APP'D: JAS
11	11/10/62	DMR	DMR	REVISED PER APP'D: JAS
12	11/10/62	DMR	DMR	REVISED PER E.C.O. #31630 APP'D: JAS

WANG WANG LABORATORIES, INC. LOWELL, MASS.		BY: <i>[Signature]</i>	DATE: 11-10-62	APPROVED BY: <i>[Signature]</i>	DATE: 11-10-62
MATERIAL:	MODEL NO. 210-8394	CHK: <i>[Signature]</i>	DATE: 11-10-62	APPROVED BY: <i>[Signature]</i>	DATE: 11-10-62
TITLE: HALF PAGE MONITOR		WANG PART NUMBER: 210-8394			
FINISH: TO BE AS NOTED		SCALE: 2X			

11

(FINAL BILL-OF-MATERIALS)

BOARD NO. & TITLE: C8394 HALF PAGE MONITOR ASSEMBLY: 218
ARTWORK REVISION (R): 03
ASSEMBLY REVISION (A): 04
SCHEMATIC REVISION (S): 05
DWR OR MOST RECENT ECD: 31630
CREATED: 08/01/04 16:23
LAST MODIFIED: 08/10/04 13:14 BY: LAB
EDITING REVISION: 2

Table with columns: REF. DES., WANG PART NO., VALUE/TYP, DESCRIPTION, DRAWING NO., QTY.

11

5.8

BOARD NO. & TITLE: C8394 HALF PAGE MONITOR SCHEMATIC REVISION (S): 05 SHEET OF PAGE 3

Table with columns: REF. DES., WANG PART NO., VALUE/TYP, DESCRIPTION, DRAWING NO., QTY.

8.5"

11"

17"

11

11

5.8

8.5"

11"

17"

BOARD NO. & TITLE: C8394 HALF PAGE MONITOR SCHEMATIC REVISION (S): 05 SHEET OF PAGE 2

Table with columns: REF. DES., WANG PART NO., VALUE/TYP, DESCRIPTION, DRAWING NO., QTY.

BOARD NO. & TITLE: C8394 HALF PAGE MONITOR SCHEMATIC REVISION (S): 05 SHEET OF PAGE 4

Table with columns: REF. DES., WANG PART NO., VALUE/TYP, DESCRIPTION, DRAWING NO., QTY.

WANG LABORATORIES, INC. LOWELL, MA U.S.A. BY: DWN DATE: CHK: M ENGR DATE: MFG ENGR MATERIAL: MODEL NO: TITLE: HALF PAGE MONITOR FINISH: TOL EX AS NOTED XX ± 0.10 FRAC ± 1/64 XXX ± 0.05 ANG ± 1° 30' FINISH

Y3

17

17

11

11

8.5

8.5


BOARD NO. & TITLE: C8394 HALF PAGE MONITOR SCHEMATIC REVISION (S): 06 SHEET 4 of 4 PAGE 8 M

WANG PART NO. VALUE/TYPE DESCRIPTION DRAWING NO. QTY.

(CAUTION - THE FOLLOWING PARTS/COMPONENTS CONTAINED IN THIS B.O.M. ARE NOT RECOMMENDED FOR NEW DESIGNS)

376-1111-	M313338	TSTR NPN TO-3 175W 600V 28A	
376-1114-	UPT8850	TSTR NPN TO-92 750MW 500V 100MA	
376-0109-	74592	IC QUAD 2-INPUT POSITIVE-NOR GATES	
376-0228-	74580	IC QUAD 2-INPUT NAND GATE	

*** END-OF-REPORT ***

 WANG LABORATORIES, INC. LOWELL, MA U.S.A.		BY	DATE	APPROVED BY	DATE
		DWN		E ENGR	
MATERIAL MODEL NO SEE ENGR SPECIFICATIONS No. _____		CHK		M ENGR	
				MFG ENGR	
		TITLE HALF PAGE MONITOR			
FINISH	TOL EX AS NOTED XX ± 0.10 FRAC ± 1/64 XXX ± 0.05 ANG ± 1' 30" FINISH	210-8394	C	8394	5
	SCALE	SMT 4 OF 4	WANG PART NUMBER	SIZE	DRAWING NUMBER REV

8.5"

8.5"

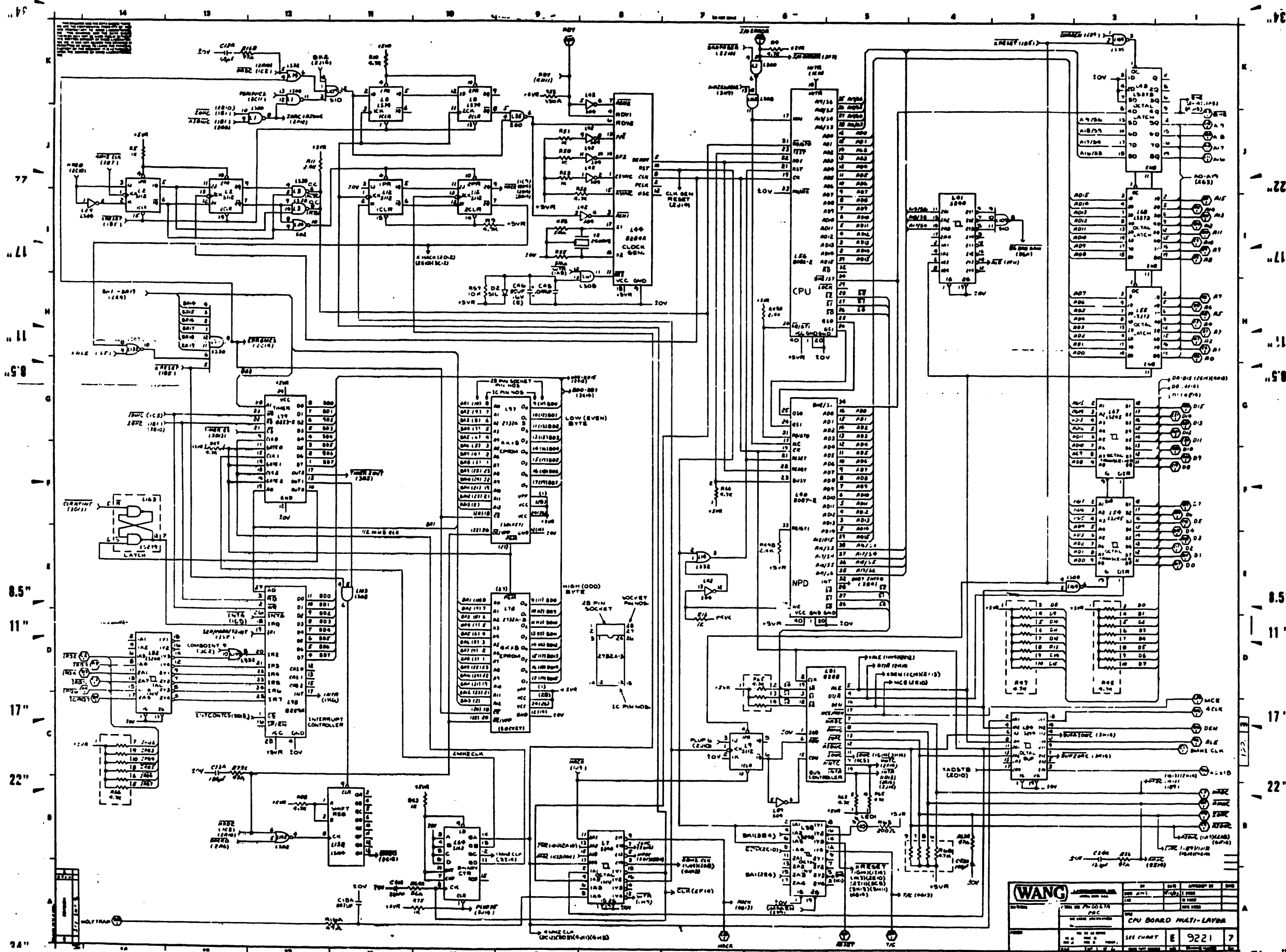
11"

11"

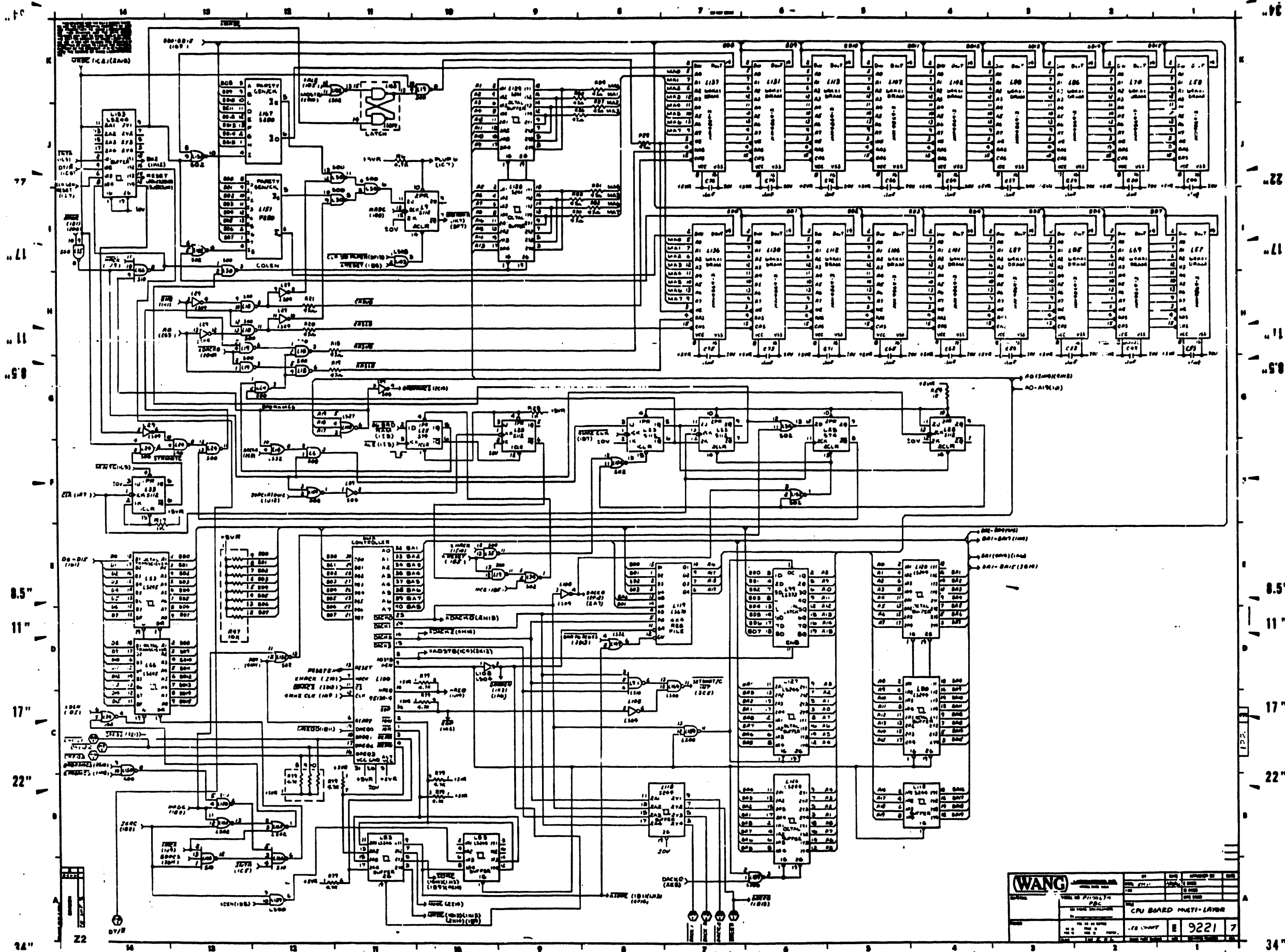
17"

17"

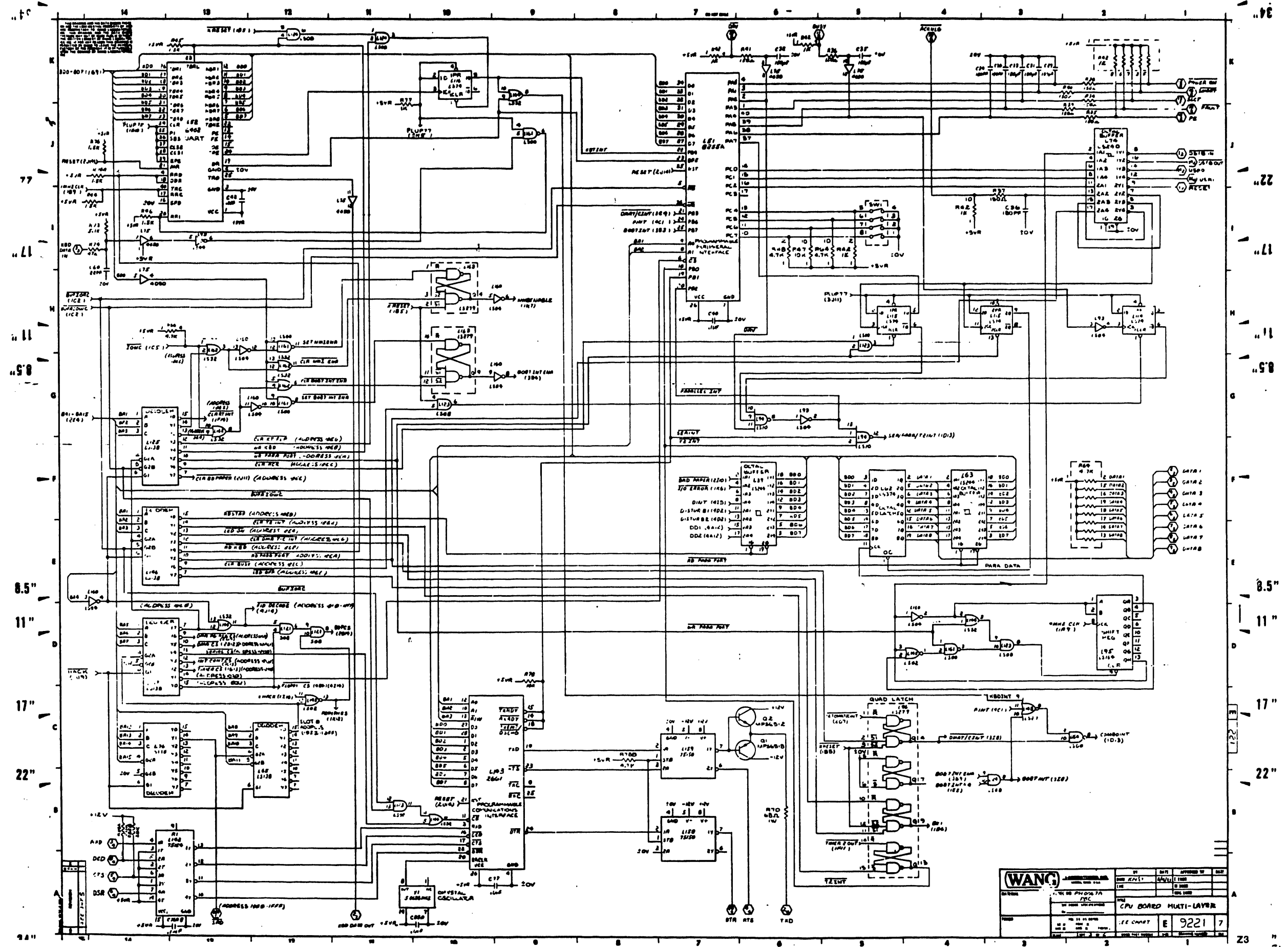
Y4



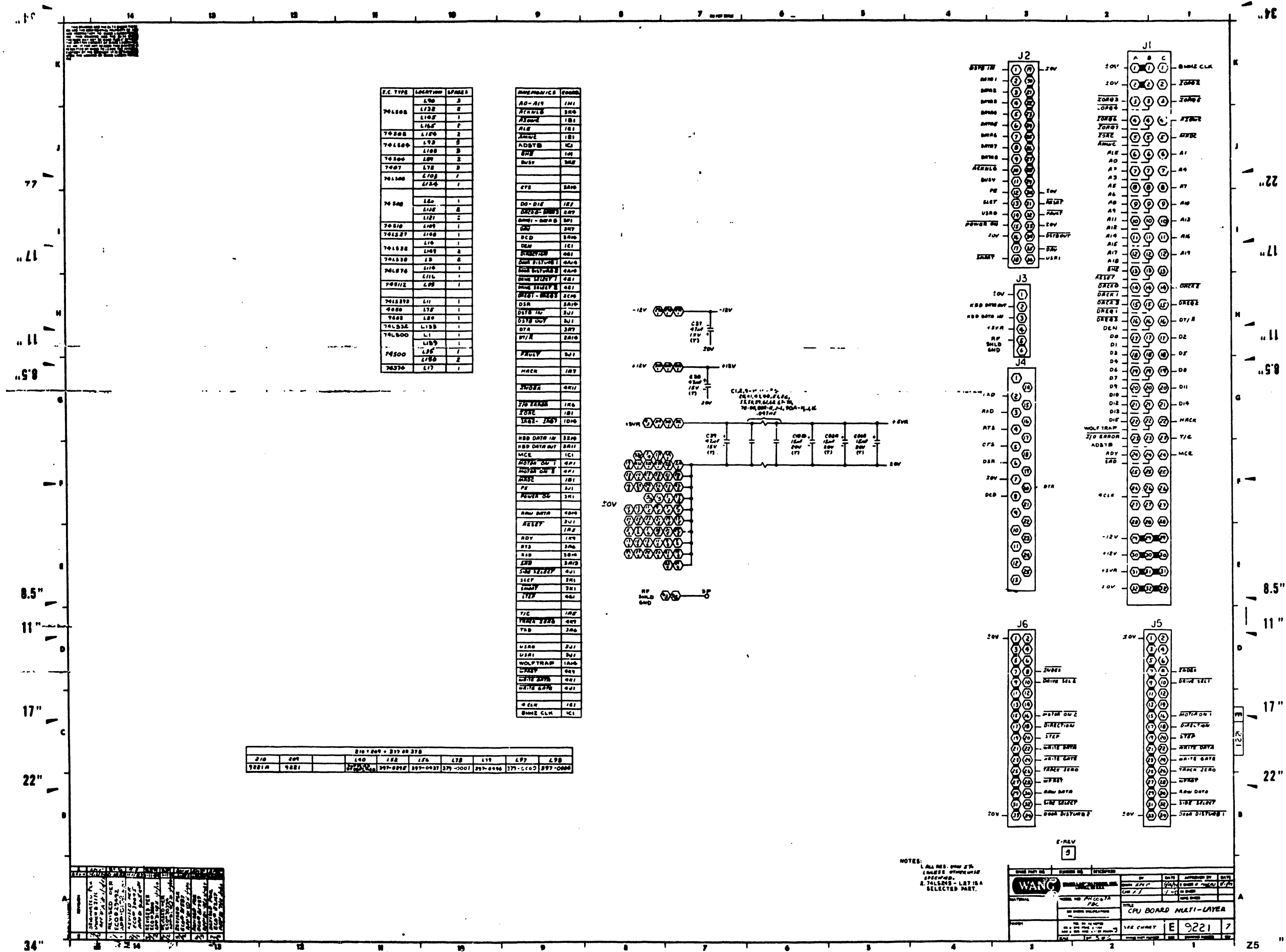
WANG	
CPU BOARD MULTI-LAYER	
REV. 1	DATE: 11/78
DESIGNED BY: [Name]	CHECKED BY: [Name]
APPROVED BY: [Name]	DATE: 11/78
WORKING DRAWING	SEE CHART E 9221 7



(WANG)		DATE	BY	CHKD	APPROVED BY
WANG		DATE	BY	CHKD	APPROVED BY
CPU BOARD MULTI-LAYER					
E 9221 7					



WANG		DATE	APPROVED BY
CPU BOARD MULTI-LAYER		DATE	APPROVED BY
E 9221 7		DATE	APPROVED BY



P.C. TYPE	LOCATION	SPACE
70150B	L70	3
	L72	2
	L73	1
	L74	2
70150C	L75	2
70150D	L76	2
70150E	L77	2
70150F	L78	2
70150G	L79	1
70150H	L80	1
70150I	L81	1
70150J	L82	1
70150K	L83	1
70150L	L84	1
70150M	L85	1
70150N	L86	1
70150O	L87	1
70150P	L88	1
70150Q	L89	1
70150R	L90	1
70150S	L91	1
70150T	L92	1
70150U	L93	1
70150V	L94	1
70150W	L95	1
70150X	L96	1
70150Y	L97	1
70150Z	L98	1

SYMBOLS	CODES
AD-ALV	1M1
AD-ALV	1M2
AD-ALV	1M3
AD-ALV	1M4
AD-ALV	1M5
AD-ALV	1M6
AD-ALV	1M7
AD-ALV	1M8
AD-ALV	1M9
AD-ALV	1M10
AD-ALV	1M11
AD-ALV	1M12
AD-ALV	1M13
AD-ALV	1M14
AD-ALV	1M15
AD-ALV	1M16
AD-ALV	1M17
AD-ALV	1M18
AD-ALV	1M19
AD-ALV	1M20
AD-ALV	1M21
AD-ALV	1M22
AD-ALV	1M23
AD-ALV	1M24
AD-ALV	1M25
AD-ALV	1M26
AD-ALV	1M27
AD-ALV	1M28
AD-ALV	1M29
AD-ALV	1M30
AD-ALV	1M31
AD-ALV	1M32
AD-ALV	1M33
AD-ALV	1M34
AD-ALV	1M35
AD-ALV	1M36
AD-ALV	1M37
AD-ALV	1M38
AD-ALV	1M39
AD-ALV	1M40
AD-ALV	1M41
AD-ALV	1M42
AD-ALV	1M43
AD-ALV	1M44
AD-ALV	1M45
AD-ALV	1M46
AD-ALV	1M47
AD-ALV	1M48
AD-ALV	1M49
AD-ALV	1M50
AD-ALV	1M51
AD-ALV	1M52
AD-ALV	1M53
AD-ALV	1M54
AD-ALV	1M55
AD-ALV	1M56
AD-ALV	1M57
AD-ALV	1M58
AD-ALV	1M59
AD-ALV	1M60
AD-ALV	1M61
AD-ALV	1M62
AD-ALV	1M63
AD-ALV	1M64
AD-ALV	1M65
AD-ALV	1M66
AD-ALV	1M67
AD-ALV	1M68
AD-ALV	1M69
AD-ALV	1M70
AD-ALV	1M71
AD-ALV	1M72
AD-ALV	1M73
AD-ALV	1M74
AD-ALV	1M75
AD-ALV	1M76
AD-ALV	1M77
AD-ALV	1M78
AD-ALV	1M79
AD-ALV	1M80
AD-ALV	1M81
AD-ALV	1M82
AD-ALV	1M83
AD-ALV	1M84
AD-ALV	1M85
AD-ALV	1M86
AD-ALV	1M87
AD-ALV	1M88
AD-ALV	1M89
AD-ALV	1M90
AD-ALV	1M91
AD-ALV	1M92
AD-ALV	1M93
AD-ALV	1M94
AD-ALV	1M95
AD-ALV	1M96
AD-ALV	1M97
AD-ALV	1M98
AD-ALV	1M99
AD-ALV	1M100

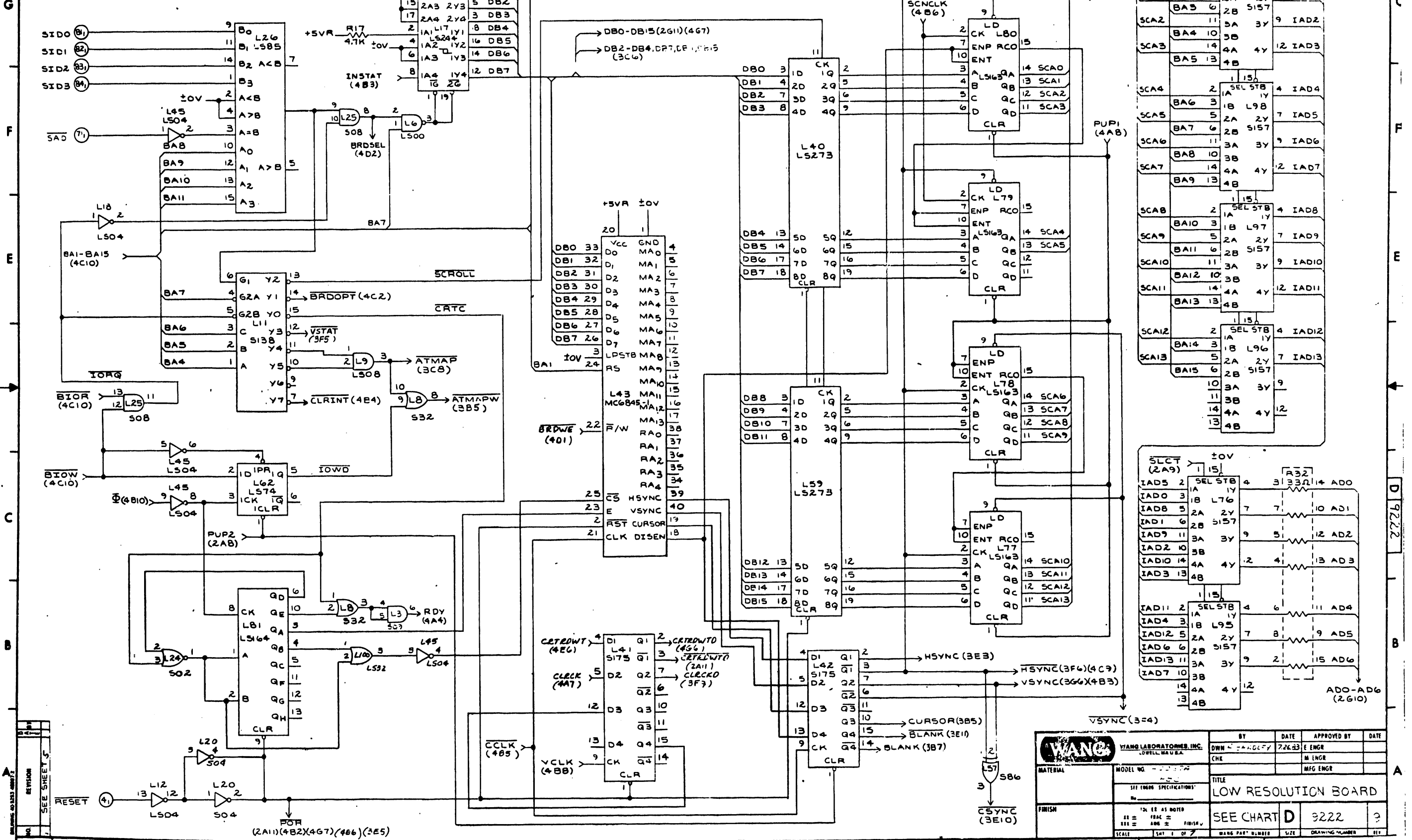
210	209	210-001	210-002	210-003	210-004	210-005	210-006	210-007	210-008
70150A	70150B	70150C	70150D	70150E	70150F	70150G	70150H	70150I	70150J

DATE	BY	REVISION	DESCRIPTION
10/15/68	WANG	1	INITIAL DESIGN
11/10/68	WANG	2	REVISED FOR MANUFACTURE
12/05/68	WANG	3	ADDED COMPONENTS
01/15/69	WANG	4	FINAL REVISED

NOTES:
 1. ALL RES. SHOWN ON THIS BOARD ARE STANDARD VALUES.
 2. 70150S - L87 IS A SELECTED PART.

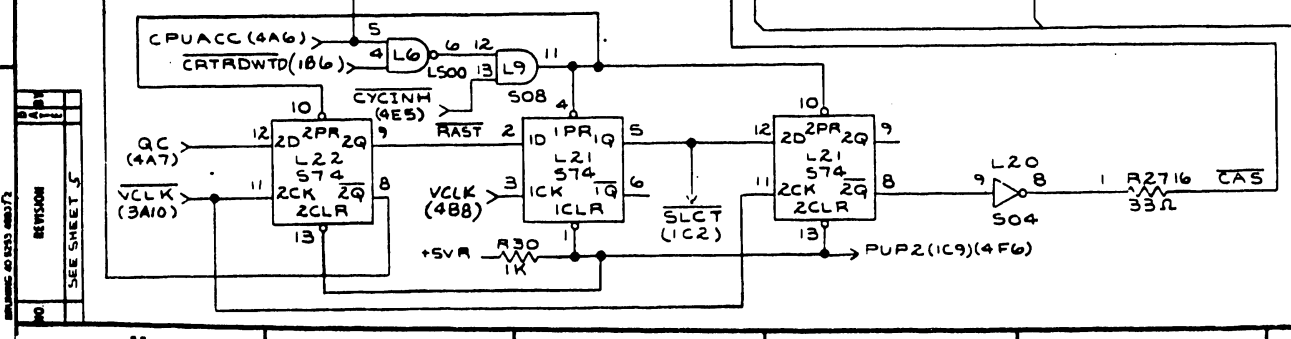
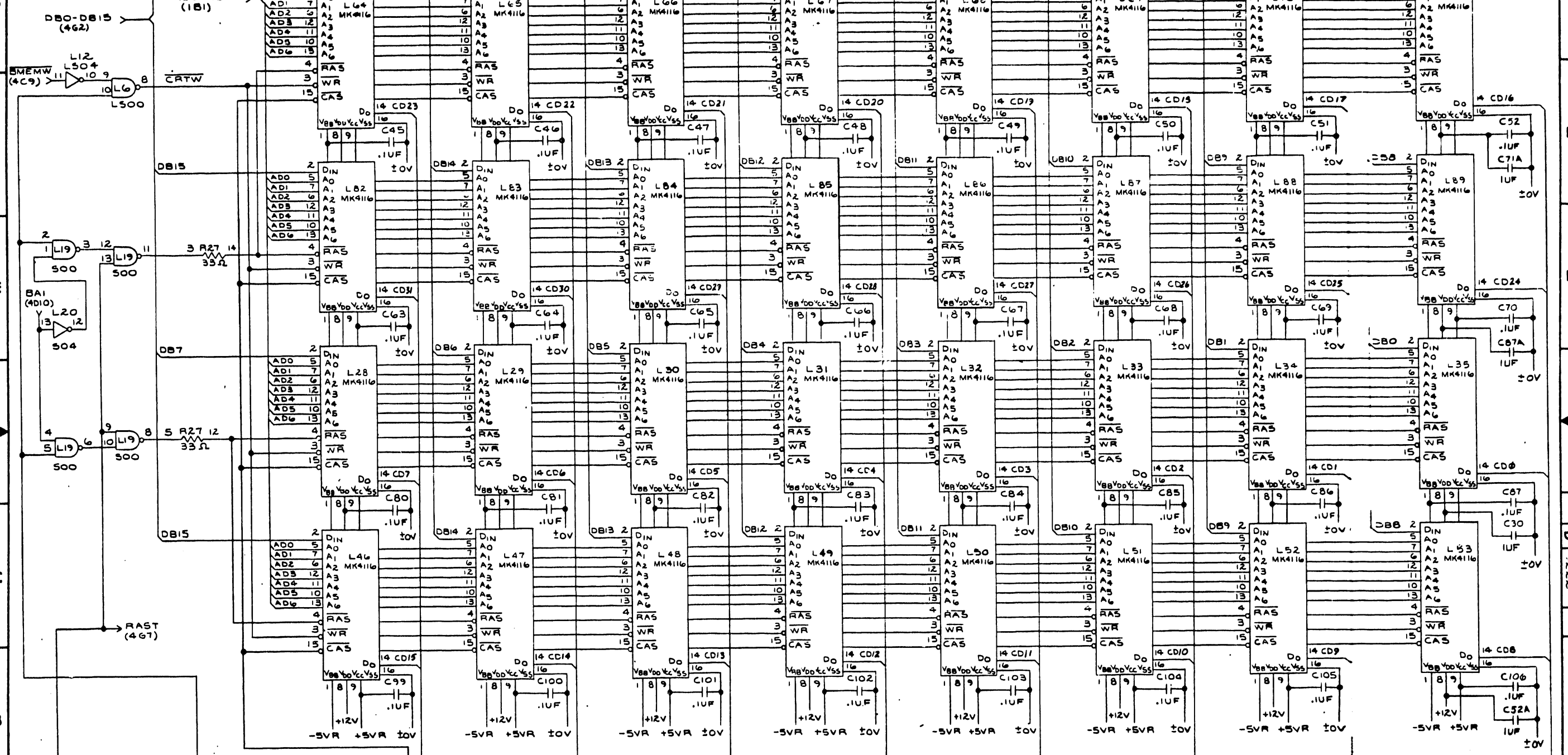
DATE	BY	REVISION	DESCRIPTION
10/15/68	WANG	1	INITIAL DESIGN
11/10/68	WANG	2	REVISED FOR MANUFACTURE
12/05/68	WANG	3	ADDED COMPONENTS
01/15/69	WANG	4	FINAL REVISED

THIS DRAWING AND THE DATA SHOWN THERE ON ARE THE CONFIDENTIAL PROPERTY OF AND ARE PROPRIETARY TO WANG LABORATORIES, INC. THIS DRAWING AND THE DATA SHOWN THEREON MAY NOT BE MADE PUBLIC WITHOUT THE WRITTEN CONSENT OF WANG LABORATORIES, INC. IF FOR ANY REASON THIS DRAWING IS PERMITTED BY WANG TO LEAVE THE PHYSICAL CUSTODY OF THE COMPANY, IT IS RETURNABLE UPON THE DEMAND OF WANG LABORATORIES, INC.



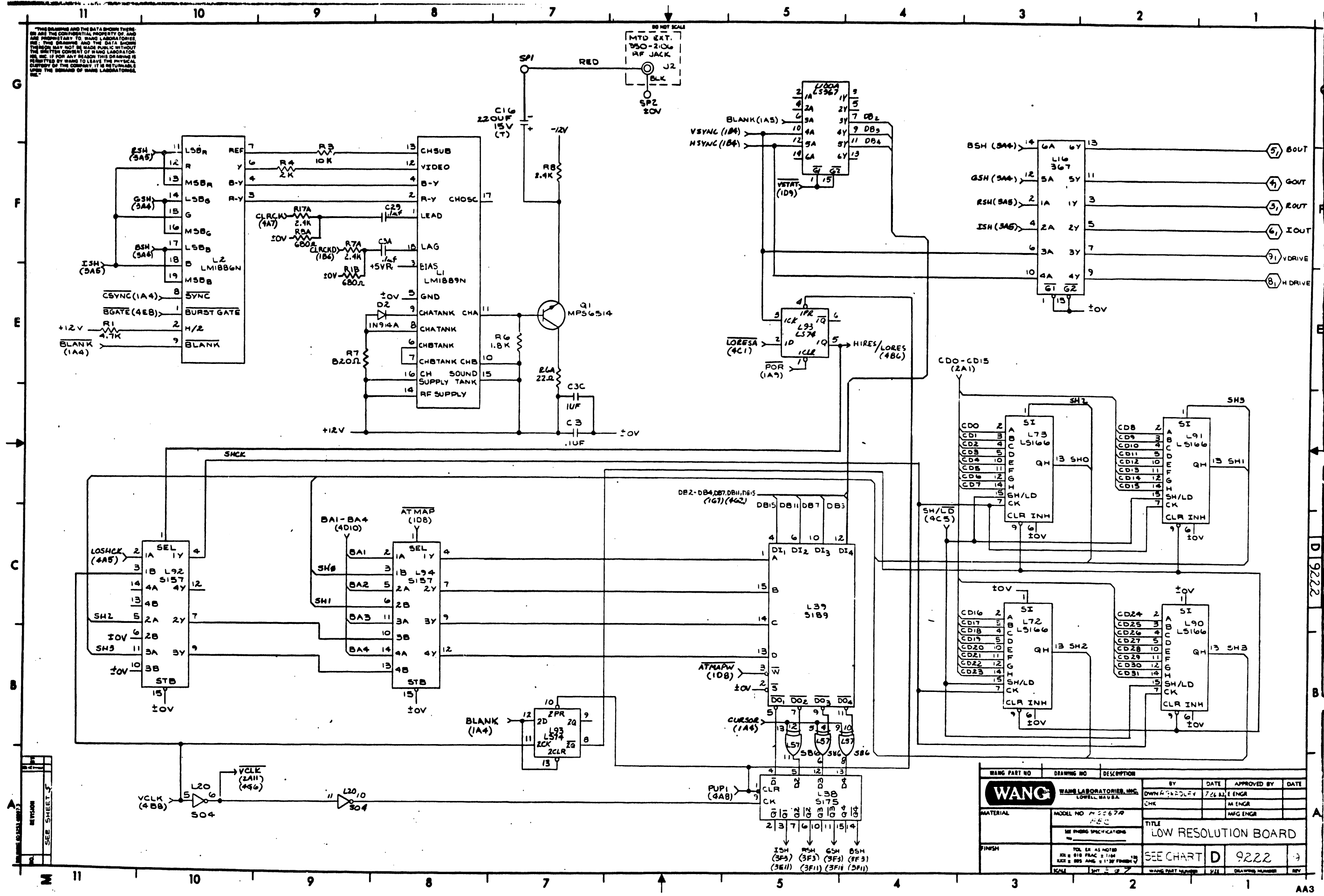
WANG WANG LABORATORIES, INC. LOWELL, MASSACHUSETTS		BY	DATE	APPROVED BY	DATE
		DWN	7.26.63	E ENGR	
		CHK		M ENGR	
				MFG ENGR	
MATERIAL		TITLE			
MODEL NO. - 000000000		SEE CHART D 9222			
SEE DRAWING SPECIFICATIONS		SCALE 1:1			
FINISH		DRAWING NUMBER 9222			
SCALE 1:1		WANG PART NUMBER			
SCALE 1:1		SIZE			
SCALE 1:1		REV			

THIS DRAWING AND THE DATA SHOWN THEREON ARE THE CONFIDENTIAL PROPERTY OF WANG LABORATORIES, INC. AND ARE LOANED TO YOU BY WANG LABORATORIES, INC. FOR YOUR USE ONLY. YOU ARE NOT TO REPRODUCE OR TRANSMIT THIS INFORMATION IN ANY FORM OR BY ANY MEANS, ELECTRONIC OR MECHANICAL, INCLUDING PHOTOCOPYING, RECORDING, OR BY ANY INFORMATION STORAGE AND RETRIEVAL SYSTEM, WITHOUT THE WRITTEN CONSENT OF WANG LABORATORIES, INC. IF FOR ANY REASON THIS DRAWING IS PERMITTED BY WANG TO LEAVE THE PHYSICAL CUSTODY OF THE COMPANY, IT IS RETURNABLE TO THE COMPANY AT THE DEMAND OF WANG LABORATORIES, INC.



WANG WANG LABORATORIES, INC. LOWELL, MA 01846		BY	DATE	APPROVED BY	DATE
MODEL NO. 20574 REC		W. J. ...	7/26/74	E. ENGR	
SEE ENGR SPECIFICATIONS				M. ENGR	
FINISH				MFG ENGR	
TOL. SEE AS NOTED		SEE CHART D 9222		9	
SCALE: INT. 2 OF 7		WANG PART NUMBER		SIZE	DRAWING NUMBER

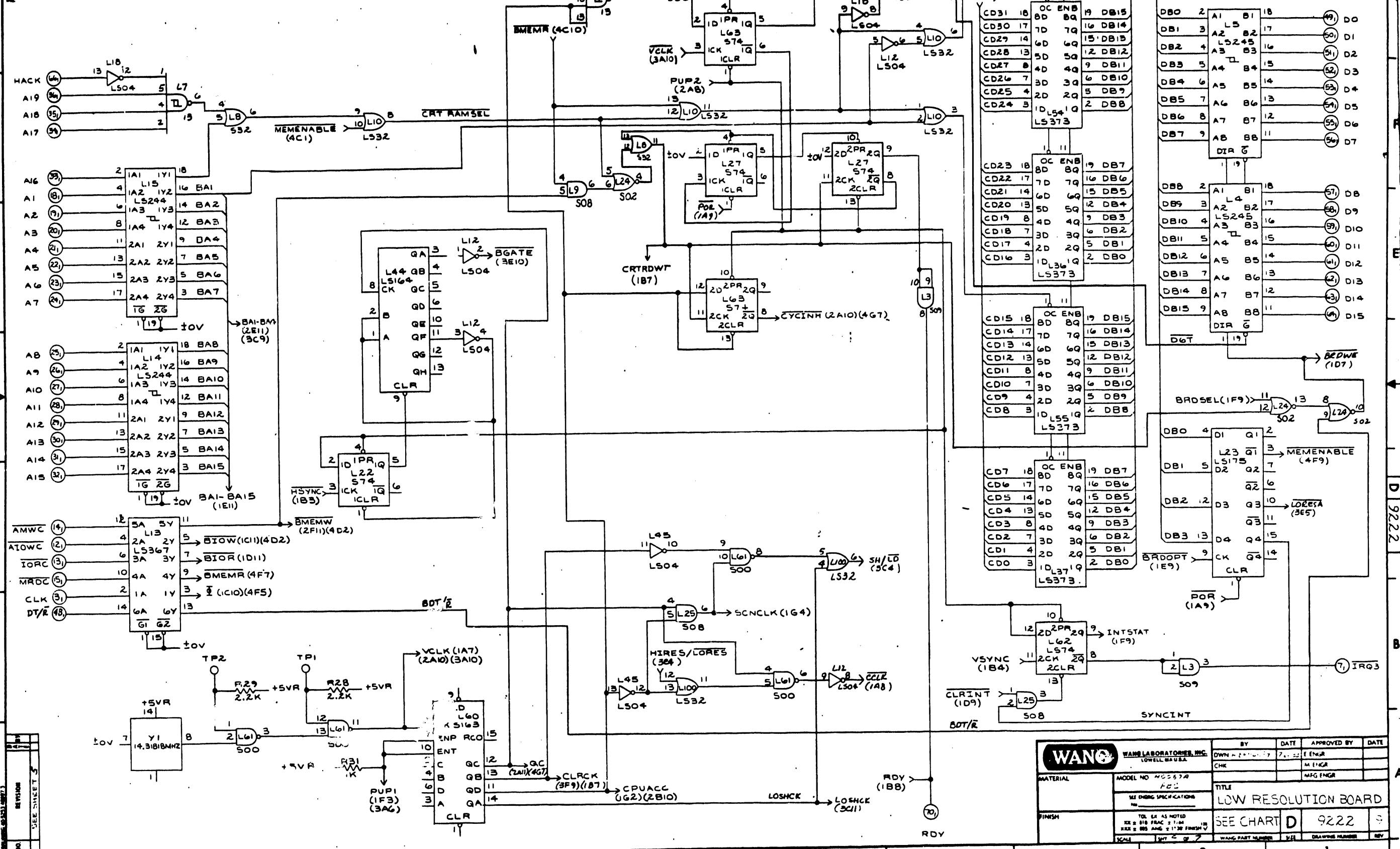
THIS DRAWING AND THE DATA SHOWN THEREON ARE THE CONFIDENTIAL PROPERTY OF AND ARE PROPRIETARY TO WANG LABORATORIES, INC. THE DRAWING AND THE DATA UNDER THIS DRAWING MAY NOT BE MADE PUBLIC WITHOUT THE WRITTEN CONSENT OF WANG LABORATORIES, INC. IF FOR ANY REASON THIS DRAWING IS PERMITTED BY WANG TO LEAVE THE PHYSICAL POSSESSION OF THE COMPANY, IT IS HEREBY UNDERSTOOD THAT THE DRAWING IS TO BE DESTROYED UPON THE DEMAND OF WANG LABORATORIES, INC.



WANG PART NO	DRAWING NO	DESCRIPTION	BY	DATE	APPROVED BY	DATE
			DWNA BARDLEY	7/26/82	E ENGR	
			CHK		M ENGR	
					MFG ENGR	
MATERIAL	MODEL NO M20670		TITLE			
	FEC		LOW RESOLUTION BOARD			
	SEE THIS SPECIFICATIONS		SEE CHART			
			D	9222		
FINISH	TOL. SR. AS NOTED					
	SEE 2 818 PLAC 2 1/168					
	SEE 2 818 ANG 2 1/137 FINISH 13					
	SCALE 1/8" = 1"					

9222

THIS DRAWING AND THE DATA THEREON ARE THE CONFIDENTIAL PROPERTY OF WANG LABORATORIES, INC. AND ARE LOANED TO YOU BY WANG LABORATORIES, INC. FOR YOUR INFORMATION ONLY. YOU ARE NOT TO REPRODUCE OR DISSEMINATE THIS DRAWING OR THE DATA THEREON IN ANY MANNER WITHOUT THE WRITTEN CONSENT OF WANG LABORATORIES, INC. IF FOR ANY REASON THIS DRAWING IS RETURNED TO WANG LABORATORIES, INC. IT IS RETURNABLE TO WANG LABORATORIES, INC. WITHOUT ANY OBLIGATION ON YOUR PART.

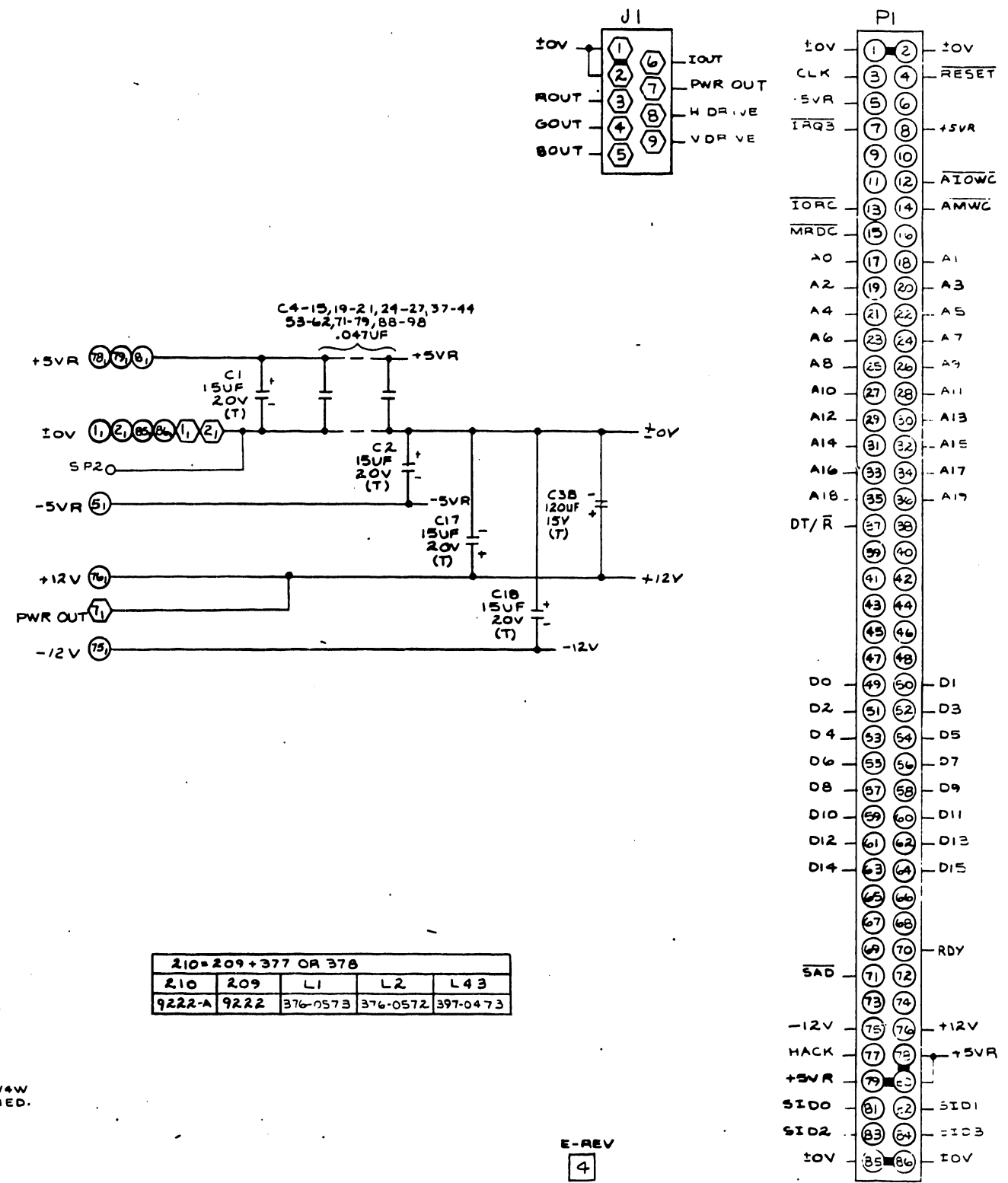


WANG WANG LABORATORIES, INC. LOWELL, MA U.S.A.		BY	DATE	APPROVED BY	DATE
MATERIAL		CHK	7.22	E ENR	
MODEL NO. 9222A		TITLE			
SEE DRWG SPECIFICATIONS		LOW RESOLUTION BOARD			
FINISH		SEE CHART D 9222		WANG PART NUMBER	
TOL. UNLESS NOTED		SCALE		REV	
SEE 2.114		1/8"		1	
SEE 2.114		1/16"		2	
SEE 2.114		1/32"		3	
SEE 2.114		1/64"		4	
SEE 2.114		1/128"		5	
SEE 2.114		1/256"		6	
SEE 2.114		1/512"		7	
SEE 2.114		1/1024"		8	
SEE 2.114		1/2048"		9	
SEE 2.114		1/4096"		10	
SEE 2.114		1/8192"		11	
SEE 2.114		1/16384"		12	
SEE 2.114		1/32768"		13	
SEE 2.114		1/65536"		14	
SEE 2.114		1/131072"		15	
SEE 2.114		1/262144"		16	
SEE 2.114		1/524288"		17	
SEE 2.114		1/1048576"		18	
SEE 2.114		1/2097152"		19	
SEE 2.114		1/4194304"		20	
SEE 2.114		1/8388608"		21	
SEE 2.114		1/16777216"		22	
SEE 2.114		1/33554432"		23	
SEE 2.114		1/67108864"		24	
SEE 2.114		1/134217728"		25	
SEE 2.114		1/268435456"		26	
SEE 2.114		1/536870912"		27	
SEE 2.114		1/1073741824"		28	
SEE 2.114		1/2147483648"		29	
SEE 2.114		1/4294967296"		30	
SEE 2.114		1/8589934592"		31	
SEE 2.114		1/17179869184"		32	

THIS DRAWING AND THE DATA SHOWN THERE ON ARE THE CONFIDENTIAL PROPERTY OF AND ARE PROPRIETARY TO WANG LABORATORIES, INC. THIS DRAWING AND THE DATA SHOWN THEREON MAY NOT BE MADE PUBLIC WITHOUT THE WRITTEN CONSENT OF WANG LABORATORIES, INC. IF FOR ANY REASON THIS DRAWING IS FURNISHED BY WANG TO LEAVE THE PHYSICAL CUSTODY OF THE COMPANY, IT IS RETURNABLE TO THE BOARD OF WANG LABORATORIES, INC.

DO NOT SCALE

MNEMONICS	COORD
AO-A19	4F11
A10WC	4C11
AMWC	4C11
DT/R	4B11
BOUT	3G1
CLK	4B11
DO-D15	4G1
GOUT	3E1
HACK	3F11
H DRIVE	3E1
IORC	4C11
IRQ3	4B1
MRDC	4C11
PWR OUT	5D6
RDY	4A4
RESET	1A11
ROUT	3G1
SAD	1F11
S1D0-S1D3	1G11
SYNC OUT	3F1
V DRIVE	3F1



TYPE	I.C. LOC.	SPARES
74509	L3	3
74LS92	L100	1
74LS04	L18	2
74508	L25	1
SPARE	L56	
	L58	
	L74	
	L75	

210=209+377 OR 378				
R10	R09	L1	L2	L43
9222-A	9222	376-0573	376-0572	397-0473

NOTE: ALL RESISTORS ARE 5% 1/4W UNLESS OTHERWISE SPECIFIED.

E-REV
4

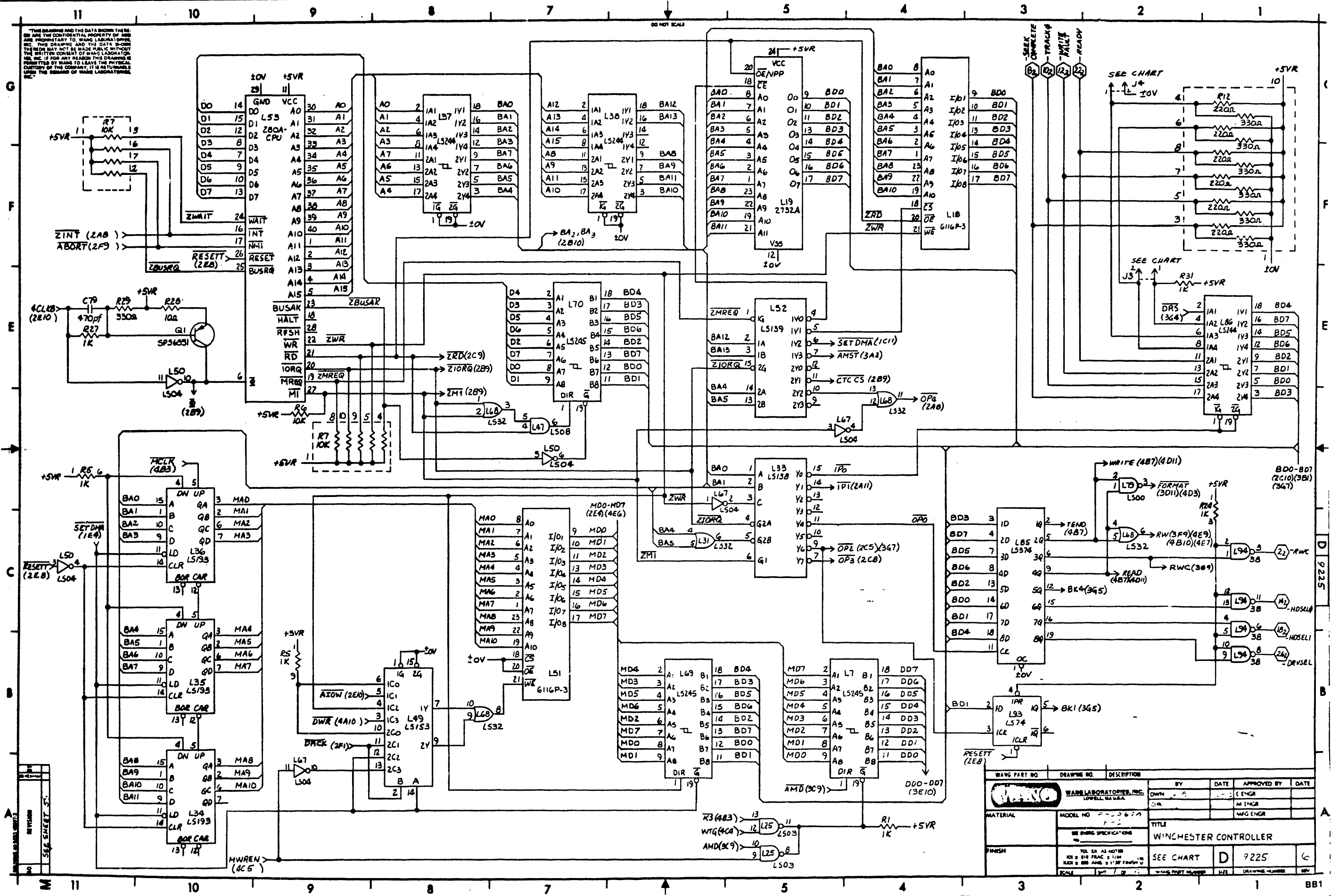
REV	DATE	BY	DESCRIPTION
0			ORIGINATED PER DWR WEZ/...
1			REVISED PER ECO#29010 APP'D:...
2			REVISED PER ECO#30344 APP'D:...
3			REVISED PER ECO#29157 APP'D:...
4			REVISED PER ECO#30255 APP'D:...
5			REVISED PER ECO#30421 APP'D:...
6			REVISED PER ECO#30421 APP'D:...
7			REVISED PER ECO#30421 APP'D:...
8			REVISED PER ECO#30421 APP'D:...
9			REVISED PER ECO#30421 APP'D:...
10			REVISED PER ECO#30148 APP'D:...

WANG WANG LABORATORIES, INC. LOWELL, MASS.		BY	DATE	APPROVED BY	DATE
MATERIAL	MODEL NO. 9222-A	CHK		ENG'GR	
FINISH	MECHANICAL SPECIFICATIONS	TITLE		MAG ENGR	
TOL. EX. AS NOTED XX ± 0.10 FRAC ± 0.04 XXX ± 0.05 ANG ± 1.00 FINISH V		TECHNICAL D		9222	
SCALE	1:1	WANG PART NUMBER	SIZE	DRAWING NUMBER	REV

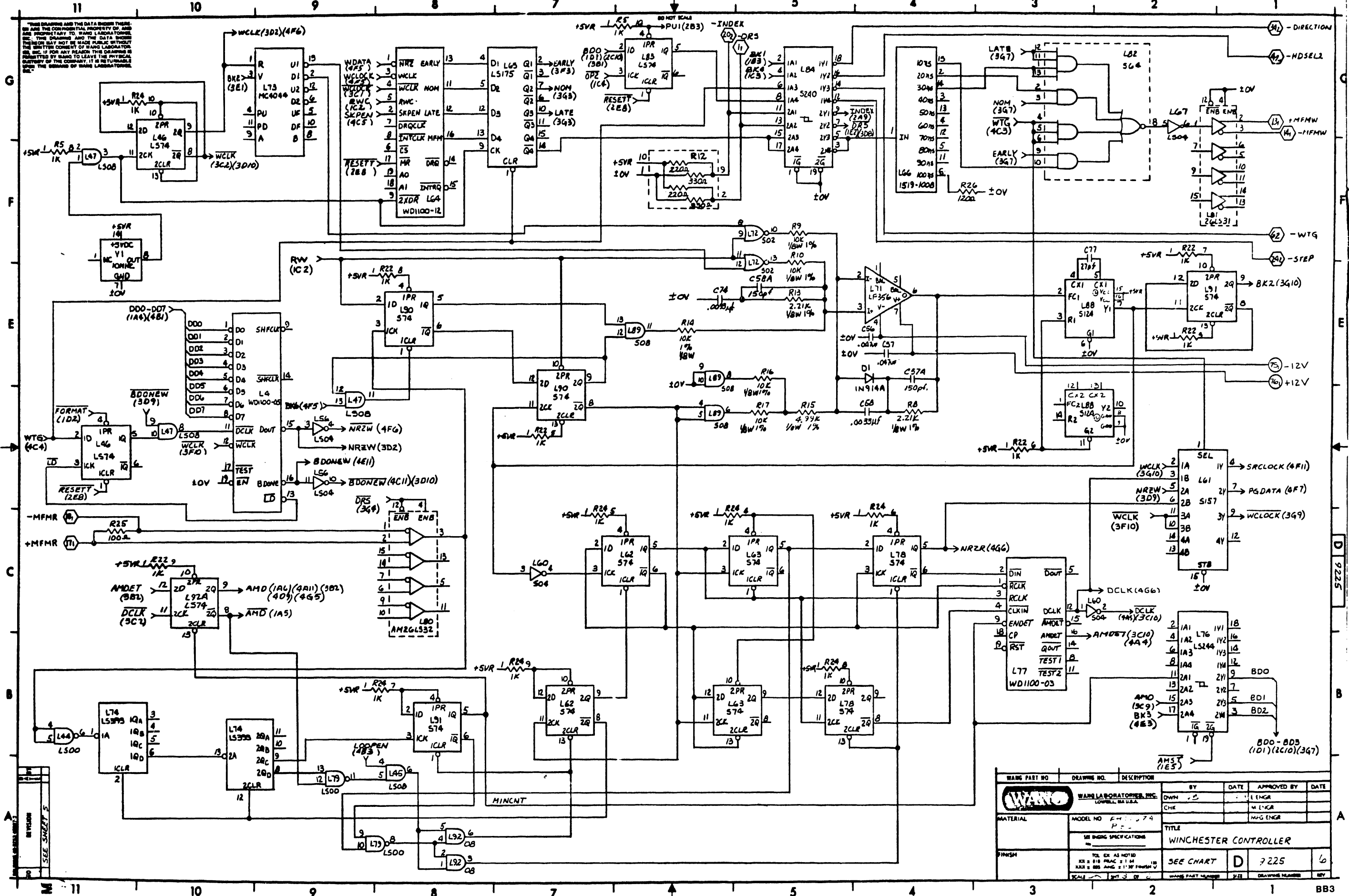
D 9222

AA5

THIS DRAWING AND THE DATA CONTAINED THEREIN ARE THE CONFIDENTIAL PROPERTY OF WANG LABORATORIES, INC. NO PART OF THIS DRAWING OR THE DATA CONTAINED HEREIN MAY BE REPRODUCED OR TRANSMITTED IN ANY FORM OR BY ANY MEANS, ELECTRONIC OR MECHANICAL, INCLUDING PHOTOCOPYING, RECORDING, OR BY ANY INFORMATION STORAGE AND RETRIEVAL SYSTEM, WITHOUT THE WRITTEN CONSENT OF WANG LABORATORIES, INC. IF FOR ANY REASON THIS DRAWING IS REPRODUCED OR TRANSMITTED IN ANY FORM OR BY ANY MEANS, THE REPRODUCER OR TRANSMITTER SHALL BE RESPONSIBLE FOR OBTAINING THE NECESSARY PERMISSIONS FROM THE PROPRIETOR OF THE COPYRIGHTED MATERIAL.



WANG PART NO.	DRAWING NO.	DESCRIPTION	BY	DATE	APPROVED BY	DATE
			DWN		E ENGR	
			SM		M ENGR	
					WFG ENGR	
MATERIAL		MODEL NO. P-3067A	TITLE			
FINISH		SEE SPECIFICATIONS	WINCHESTER CONTROLLER			
		SEE CHART	D	9225		
		SCALE	1/8"			



WANG PART NO	DRAWING NO.	DESCRIPTION	BY	DATE	APPROVED BY	DATE
WANG LABORATORIES, INC. LOWELL, MASS.	DWN 7225	WINCHESTER CONTROLLER	CHK			
	MATERIAL MODEL NO. 7225 SEE DRAWING SPECIFICATIONS FINISH		TITLE WINCHESTER CONTROLLER SEE CHART SCALE 1:1	DATE 7225	APPROVED BY DATE 6	

THIS DRAWING AND THE DATA THEREON ARE THE CONFIDENTIAL PROPERTY OF WANG LABORATORIES, INC. AND SHOULD BE KEPT AS SUCH. THE DRAWING AND THE DATA SHOULD NOT BE REPRODUCED OR TRANSMITTED IN ANY FORM OR BY ANY MEANS, ELECTRONIC OR MECHANICAL, INCLUDING PHOTOCOPYING, RECORDING, OR BY ANY INFORMATION STORAGE AND RETRIEVAL SYSTEM, WITHOUT THE WRITTEN CONSENT OF WANG LABORATORIES, INC. IN ANY EVENT, THIS DRAWING IS THE PROPERTY OF WANG LABORATORIES, INC. AND SHOULD BE KEPT AS SUCH.

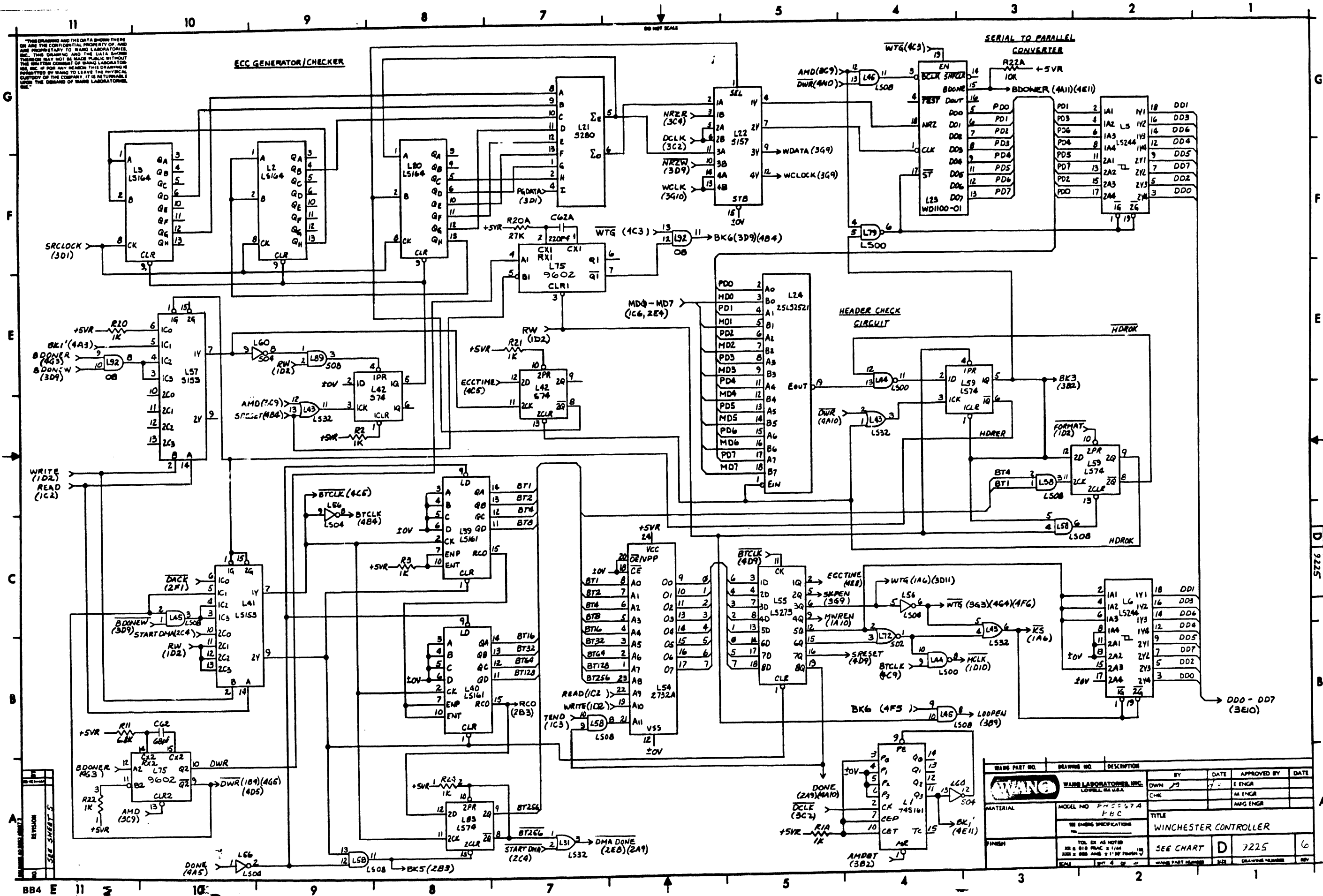
SEE SHEET 5

9225

A

BB3

THIS DRAWING AND THE DATA SHOWN THEREON ARE THE CONFIDENTIAL PROPERTY OF AND ARE PROPRIETARY TO WANG LABORATORIES, INC. THE DRAWING AND THE DATA SHOWN THEREON MAY NOT BE MADE PUBLIC WITHOUT THE WRITTEN CONSENT OF WANG LABORATORIES, INC. IF FOR ANY REASON THIS DRAWING IS PERMITTED BY WANG TO LEAVE THE PHYSICAL POSSESSION OF THE COMPANY IT IS RETURNABLE TO THE DEMAND OF WANG LABORATORIES, INC.

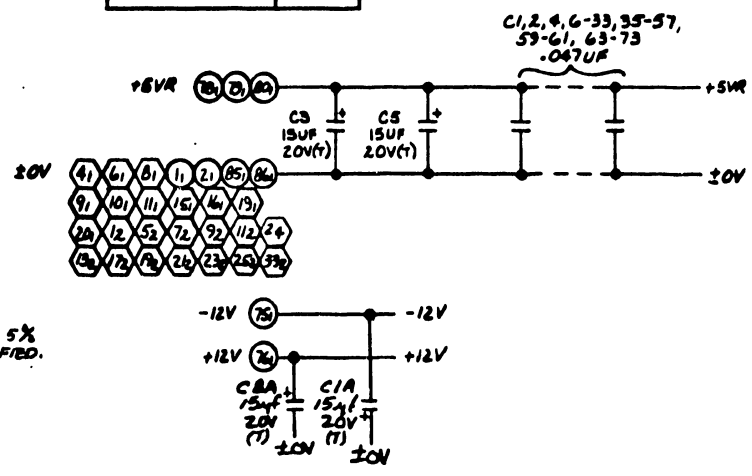
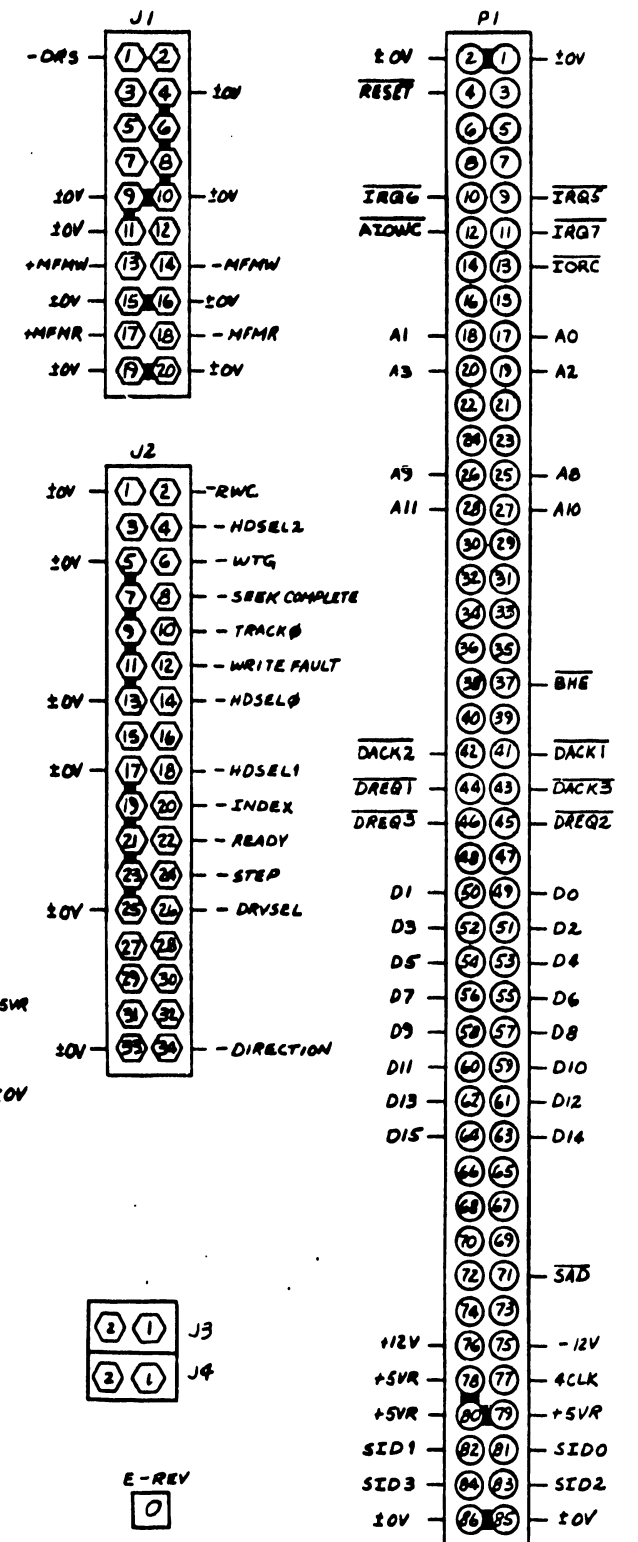


WANG PART NO.	DRAWING NO.	DESCRIPTION	BY	DATE	APPROVED BY	DATE
			DWPN	7/7	E ENGR	
			CHK		M ENGR	
					MFG ENGR	
MATERIAL			TITLE			
MODEL NO. PH2257A			WINCHESTER CONTROLLER			
SEE DRAWING SPECIFICATIONS			SEE CHART			
FINISH			D 7225			
TOL. EX. AS NOTED			D 7225			
1/8" ± 0.015 MAX. ± 1/16"			D 7225			
1/16" ± 0.005 MAX. ± 1/32"			D 7225			
1/32" ± 0.002 MAX. ± 1/64"			D 7225			
FORM 1 (REV. 4-64)			D 7225			

WANG LABORATORIES, INC. MAKES NO WARRANTY OF ANY KIND, EXPRESS OR IMPLIED, FOR THE DATA SHOWN HEREON, AND THE OPERATIONAL PROPERTIES OF THE EQUIPMENT TO WHICH THIS DRAWING IS REFERRED. THE USER MAY NOT BE HELD LIABLE FOR LOSS OF DATA OR FOR DAMAGE TO EQUIPMENT OR FOR LOSS OF PROFITS OR BUSINESS OR FOR ANY OTHER DAMAGES, INCLUDING REASONABLE ATTORNEY'S FEES, IN THE EVENT OF SUCH DAMAGE. THE USER SHALL BE RESPONSIBLE FOR THE PROTECTION OF HIS DATA AND FOR THE PROTECTION OF HIS EQUIPMENT FROM DAMAGE. THE USER SHALL BE RESPONSIBLE FOR THE PROTECTION OF HIS DATA AND FOR THE PROTECTION OF HIS EQUIPMENT FROM DAMAGE. THE USER SHALL BE RESPONSIBLE FOR THE PROTECTION OF HIS DATA AND FOR THE PROTECTION OF HIS EQUIPMENT FROM DAMAGE.

IC TYPE	LOC	SPARES
74LS00	L44	1
74S02	L72	1
74LS03	L25	1
74LS04	L50	1
	L56	1
74S04	L60	2
74LS74	L92A	1
74LS125A	L11	1
	L16	1
74LS244	L76	1
26LS31	L81	3
26LS32	L80	3

MNEMONICS	COORD.	MNEMONICS	COORD.
RDWC	2E11	-READY	1G3
A0	2G7	RESET	2E11
A1,A2	2G10	-RWC	1C1
A0-A11	2G11	SAD	2F11
A3	2E11	-SEEK COMPLETE	1G3
BHE	2G5	SZD0 - SZD3	2F11
		-STEP	3F1
DACK1 - DACK3	2G2		
-DIRECTION	3G1	-TRACK#	1G3
DREQ1 - DREQ3	2E1		
-DRS	3G5		
-DRVSEL	1B1		
D0 - D7	2B11		
D0 - DIS	2G6		
-HDSSEL0	1C1		
-HDSSEL1	1B1		
-HDSSEL2	3G1		
-INDEX	3G6		
ZORC	2E11		
IRG6 - IRG7	2D1		
+MFMR	3C11		
-MFMR	3C11		
+MFMW	3G1		
-MFMW	3G1		



NOTE:
1. ALL RESISTORS ARE 1/4W 5% UNLESS OTHERWISE SPECIFIED.

210 = 209 + 377 OR 378				
210	209	L53	L19	L54
9228-A	9225	377-0368	378-0040-R5	378-9041

WINCHESTER DRIVE JUMPER CONFIGURATION			
DRIVE	JUMPER		
SIRE	VENDOR	PIN	PIN
10MEG	ALL	NOT REQUIRED	
30MEG.	ATASI	J4-1	J4-2
30MEG.	QUANTUM	J3-2	J4-2

REV	DATE	BY	DESCRIPTION
1	8-27-83	DM	ORIG PER DWG 2127 APPD: BUL
2	9-27-83	DM	REVISED PER ECO 29426 APPD: BUL
3	11-1-83	DM	REVISED PER ECO 27676 APPD: E. H. H. B.
4	11-1-83	DM	REVISED PER ECO 30251, 30861, 31061 APPD: F. H.
5	11-1-83	DM	REVISED PER ECO 31581 APPD: J. J. H.
6	11-1-83	DM	REVISED PER ECO 31623 APPD: J. J. H.
7	11-1-83	DM	REVISED PER ECO 31623 APPD: J. J. H.
8	11-1-83	DM	REVISED PER ECO 31623 APPD: J. J. H.
9	11-1-83	DM	REVISED PER ECO 31623 APPD: J. J. H.
10	11-1-83	DM	REVISED PER ECO 31623 APPD: J. J. H.

WANG PART NO	DRAWING NO	DESCRIPTION	BY	DATE	APPROVED BY	DATE
			DM	8-27-83	F. ENGR	
			DM		M. ENGR	
					M. ENGR	
MATERIAL		MODEL NO 9228-A	TITLE			
FINISH		SEE DRAWING SPECIFICATIONS	WINCHESTER CONTROLLER			
		TO: AS NOTED	SEE CHART	D	9225	6
		SCALE: 1" = 1" (SEE DRAWING)	WANG PART NUMBER	REV	DRAWING NUMBER	REV

THIS DRAWING AND THE DATA SHOWN THEREON ARE THE CONFIDENTIAL PROPERTY OF AND ARE PROPRIETARY TO WANG LABORATORIES, INC. THIS DRAWING AND THE DATA SHOWN THEREON MAY NOT BE MADE PUBLIC WITHOUT THE WRITTEN CONSENT OF WANG LABORATORIES, INC. IF FOR ANY REASON THIS DRAWING IS RETURNED BY WANG TO LEAVE THE PHYSICAL CUSTODY OF THE COMPANY, IT IS RETURNABLE UPON THE DEMAND OF WANG LABORATORIES, INC.

ITEM NO.	WANG PART NO.	DESCRIPTION	REFERENCE DESIGNATION(S)	QTY.
53	376-0278	IC 74S161	L1	1
52	376-0273	IC 74S124	L8B	1
51	376-0264	IC MC4044	L73	1
50	376-0246	IC 74S280	L21	1
49	376-0236	IC 74LS164	L2,3,20	3
48	376-0233	IC 74LS161	L39,40	2
47	376-0226	IC 74LS139	L52	1
46	376-0224	IC 74LS03	L25	1
45	376-0220	IC 74LS193	L34-36	3
44	376-0218	IC 74LS85	L8,14	2
43	376-0217	IC 74S157	L22,61	2
42	376-0215	IC 74S153	L57	1
41	376-0211	IC 74LS32	L31,43,48	3
40	376-0207	IC 74LS00	L44,79	2
39	376-0202	IC 74S74	L30,42,62,63,70,70,91	7
38	376-0201	IC 74S64	L82	1
37	376-0200	IC 74S08	L87	1
36	376-0199	IC 74S02	L72	1
35	376-0197	IC 74S04	L60	1
34	376-0180	IC 74LS04	L50,56,67	3
33	376-0160	IC 74LS175	L13,65	2
32	376-0158	IC 74LS155	L15	1
31	376-0156	IC 74LS153	L41,49	2
30	376-0155	IC 74LS74	L44,48,59,83,93,492A	6
29	376-0153	IC 74LS08	L32,45,47,58	4
28	376-0128	IC 743B	L94	1
27	376-0081	IC 7408	L92	1
26				
25				
24	375-1050	1STR SPS6551	Q1	1
23				
22				
21				
20	350-0263	34 POS HEADER	J2	1
19	350-0203	2 POS HEADER	J3, 4	2
18				
17				
16				
15	333-0837	RES 1K SIP	R9,15,22,24	4
14	333-0809	RES 10K SIP	R7	1
13	333-0807	RES 220/130A SIP	R12	1
12	333-0183	RES 2.20K 1/2W 1%	R8,13	2
11	333-0090	RES 10K 1/2W 1%	R9,10,14,16,17	5
10	333-0202	REG 4.99K 1/2W 1%	R15	1
9				
8	330-4028	RES 27K 1/2W 5%	R20A	1
7	330-4011	RES 10K 1/2W 5%	R6, R22A	2
6	330-3069	RES 6.8K 1/2W 5%	R11	1
5	330-3011	RES 1K 1/2W 5%	R1-3,8,23,23,34,1A, 5A	10
4	330-2034	RES 330-2L 1/2W 5%	R29	1
3	330-2013	RES 120-2L 1/2W 5%	R26	1
2	330-2011	RES 100-2L 1/2W 5%	R25	1
1	330-1011	RES 10-2L 1/2W 5%	R28	1

ITEM NO.	WANG PART NO.	DESCRIPTION	REFERENCE DESIGNATION(S)	QTY.
106				
105				
104				
103				
102	654-0122	20 POS. HEADER	J1	1
101				
100	652-0032	6-32 LOCK NUT		2
99				
98				
97				
96	650-3120	6-32 1/2 PHWD SCREW		2
95				
94	510-9225	PCB		1
93				
92				
91	465-1250	EJECTOR PCB		1
90				
89	458-3249	R.F. SHIELD		1
88				
87	380-1012	DIR INHIBIT	D1	1
86	SEE CHART	9225 WINCHESTER	L54	1
85	SEE CHART	9225 WINCHESTER BU	L19	1
84				
83				
82				
81				
80	397-0459	BI/TSTD IC WD100-01	L23	1
79	397-0458	BI/TSTD IC WD100-08	L4	1
78	397-0457	BI/TSTD IC WD100-03	L77	1
77	397-0456	BI/TSTD IC WD100-12	L64	1
76	397-0403	BI/TSTD IC MM616-3	L18,51	2
75	397-0371	BI/TSTD IC 880A CTC	L87	1
74	SEE CHART	I.C. 880A CPU	L53	1
73	376-9011	IC SKT 40 PIN	L53	1
72	376-9008	IC SKT 16 PIN	Y1	1
71	376-9003	IC SKT 24 PIN	L19,54	2
70				
69	376-8002	100MS DELAY LINE	L66	1
68				
67	376-0547	IC LF356	L71	1
66	376-0104	IC 9602	L75	1
65	376-0486	IC 74LS125A	L11,16	2
64	376-0471	IC 26LS32	L80	1
63	376-0470	IC 26LS31	L81	1
62	376-0334	IC 745240	L84	1
61	376-0317	IC 25LS2521	L24	1
60	376-0307	IC 74LS393	L74	1
59	376-0302	IC 74LS273	L55	1
58	376-0297	IC 74LS240	L12	1
57	376-0294	IC 74LS138	L33	1
56	376-0288	IC 74LS244	-5,6,12,29,33,38,76,86	8
55	376-0286	IC 74LS374	L10,23,28,85	4
54	376-0285	IC 74LS245	L3,9,26,69,70	5

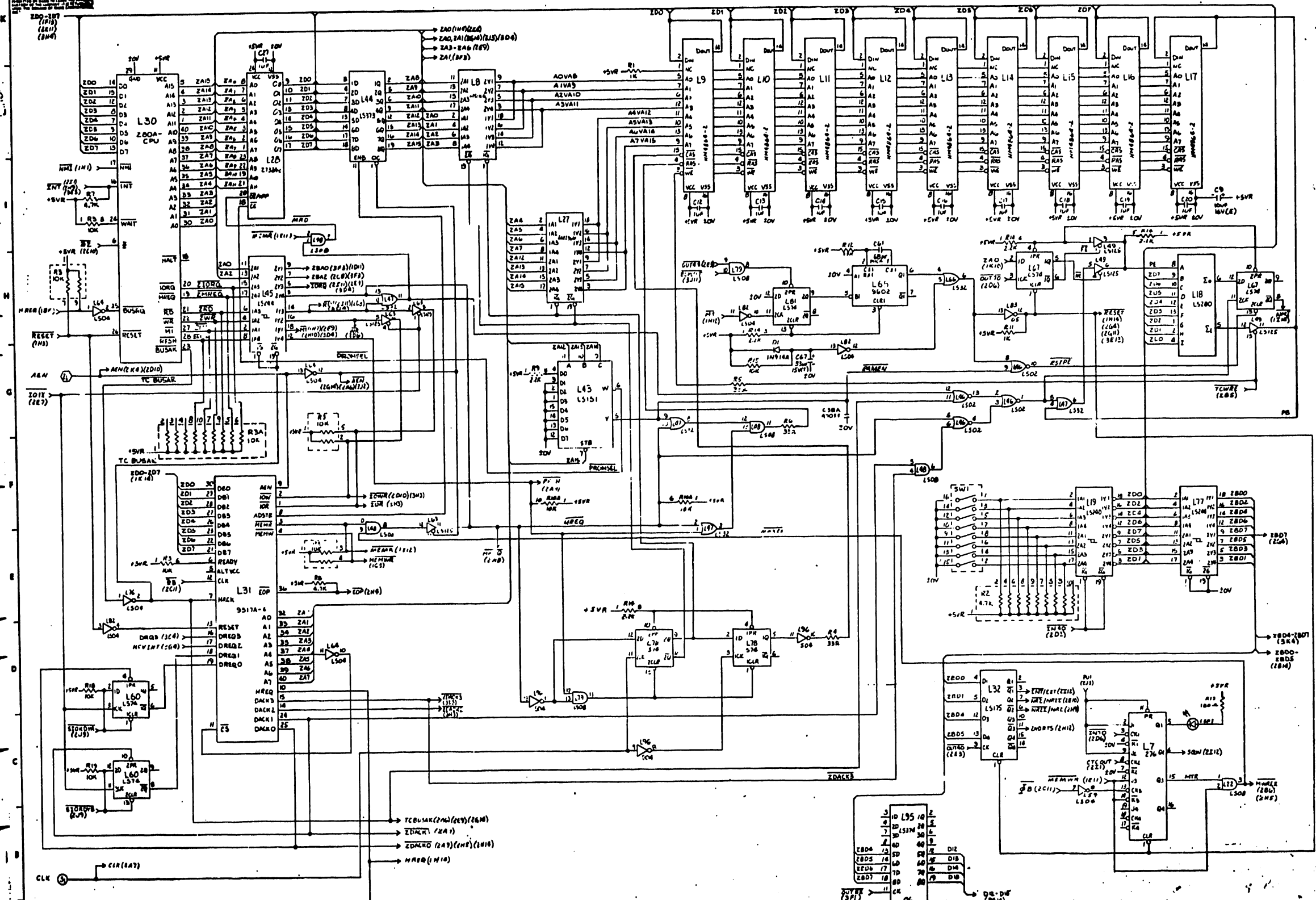
ITEM NO.	WANG PART NO.	DESCRIPTION	REFERENCE DESIGNATION(S)	QTY.
119	615-2329	LBL R.F. SHIELD (9225)		1
118	321-1010	ATAL 10.0MHz	Y1	1
117				
116	300-5019	CAP 150PF 50V NICA	C57A, 58A	2
115	300-4022	CAP 150PF 20V ITI	C7, 5, 1A, 8A	4
114	300-1966	CAP. 0.47UF 50V	C1, 2, 4, 6-33, 35-57, 59-61, 63-73	68
113				1
112	300-1909	CAP. 0.033UF 500V	C58, C74	2
111	300-1907	CAP. 0.015UF 500V	C45A	1
110	300-1470	CAP 470PF 500V	C79	1
109	300-1220	CAP 220PF 500V	C62A	1
108	300-1068	CAP 22PF 500V	C62	1
107	300-1027	CAP 27PF 500V	C71	1

REVISION
SECTION 5

WANG WANG LABORATORIES, INC. LOWELL, MA U.S.A.		BY DWN	DATE 10/1/74	APPROVED BY E ENGR	DATE
MATERIAL	MODEL NO FND-574 PCB	CHE		M ENGR	
TITLE WINCHESTER CONTROLLER		SEE CHART D 9225			
FINISH		WANG PART NUMBER 526 DRAWING NUMBER 214			

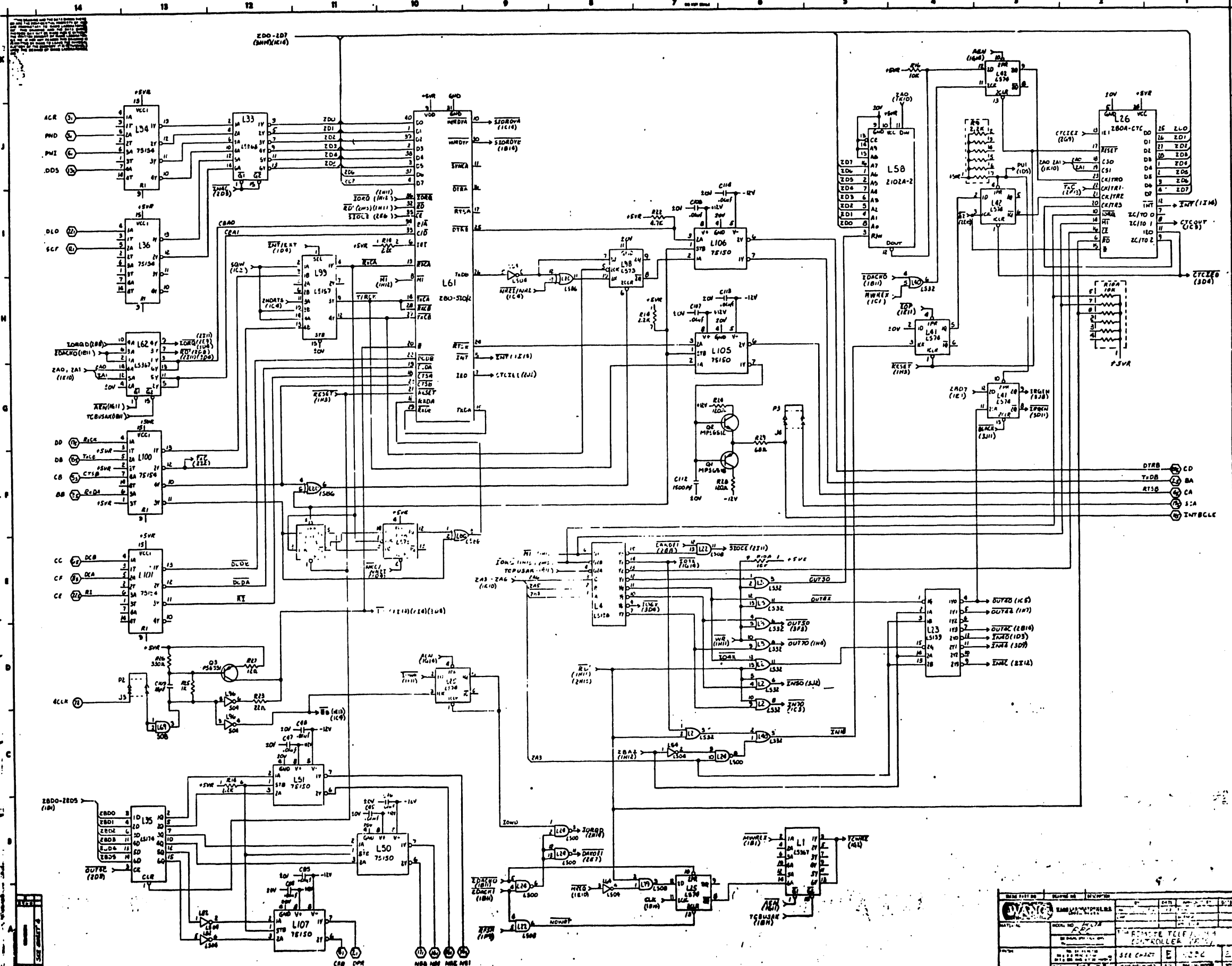
D 9225

BB6



34" 22" 17" 11" 8.5" 17" 22" 34"

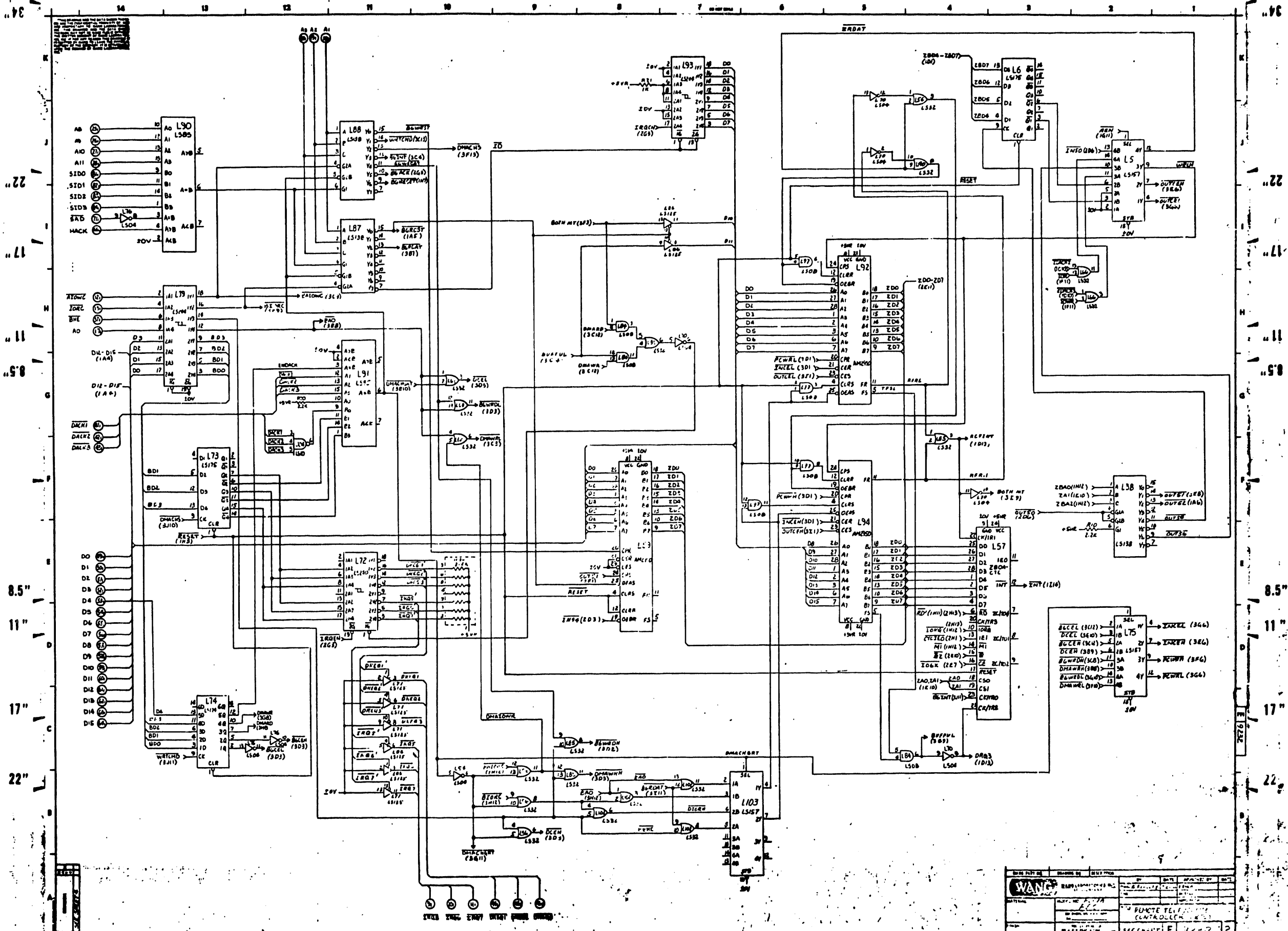
DATE	DESIGNED BY	CHECKED BY	APPROVED BY
TITLE		THE REMOTE TELECOMM. CONTROLLER (Z08)	
DRAWN BY		SEE SHEET E 9232	
PARTS LIST			
REVISIONS			



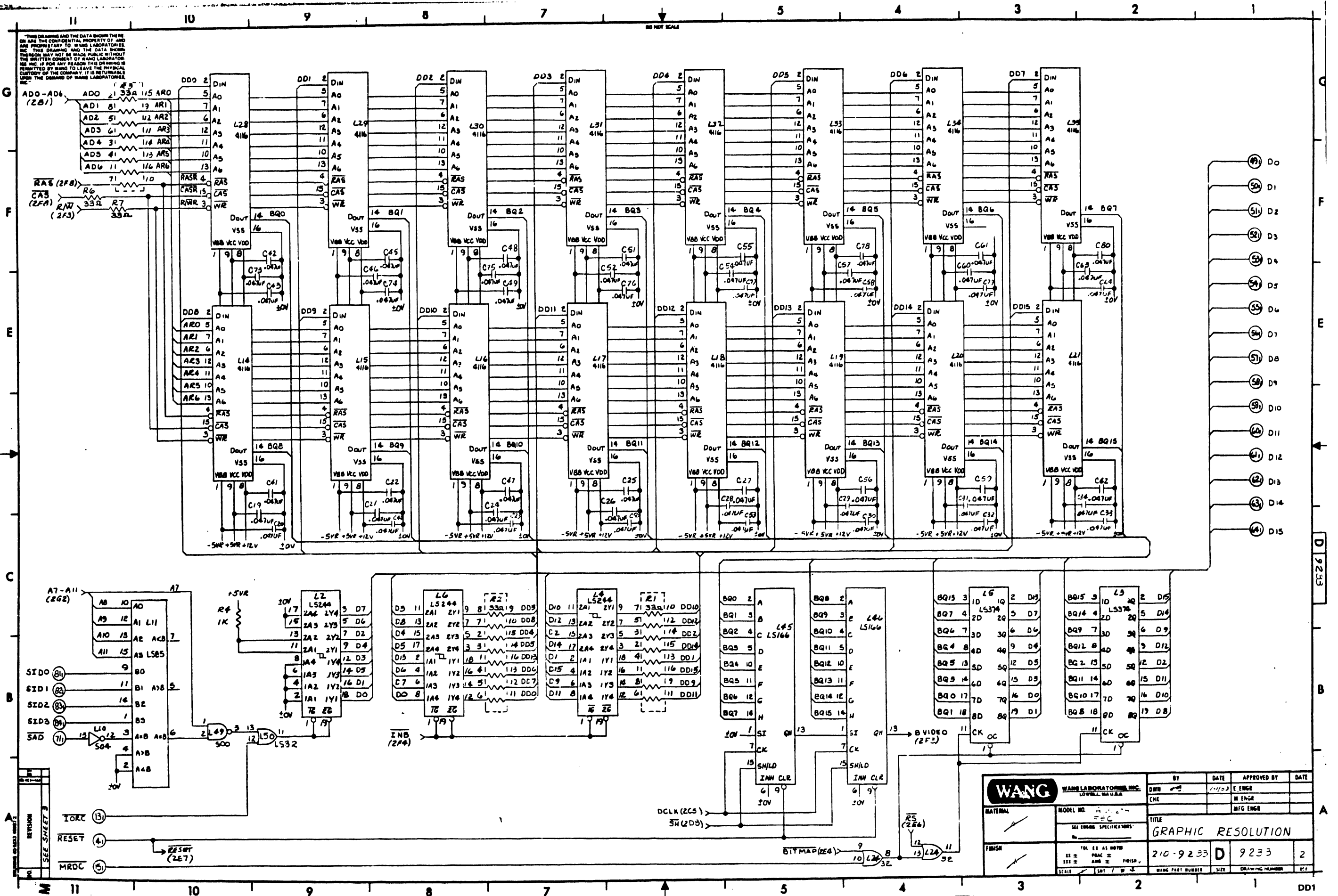
DATE	BY	CHKD	APPD
1964	J. H. ...	J. H. ...	J. H. ...
REVISIONS		DATE	
1	INITIALS	1	DATE
2	INITIALS	2	DATE
3	INITIALS	3	DATE
TITLE: CONTROL SYSTEM DRAWING NO.: 100-10000-100 SHEET NO.: 100-10000-100-1 TOTAL SHEETS: 100-10000-100-10 DESIGNED BY: J. H. ... CHECKED BY: J. H. ... APPROVED BY: J. H. ... DATE: 1964			

34" CC2

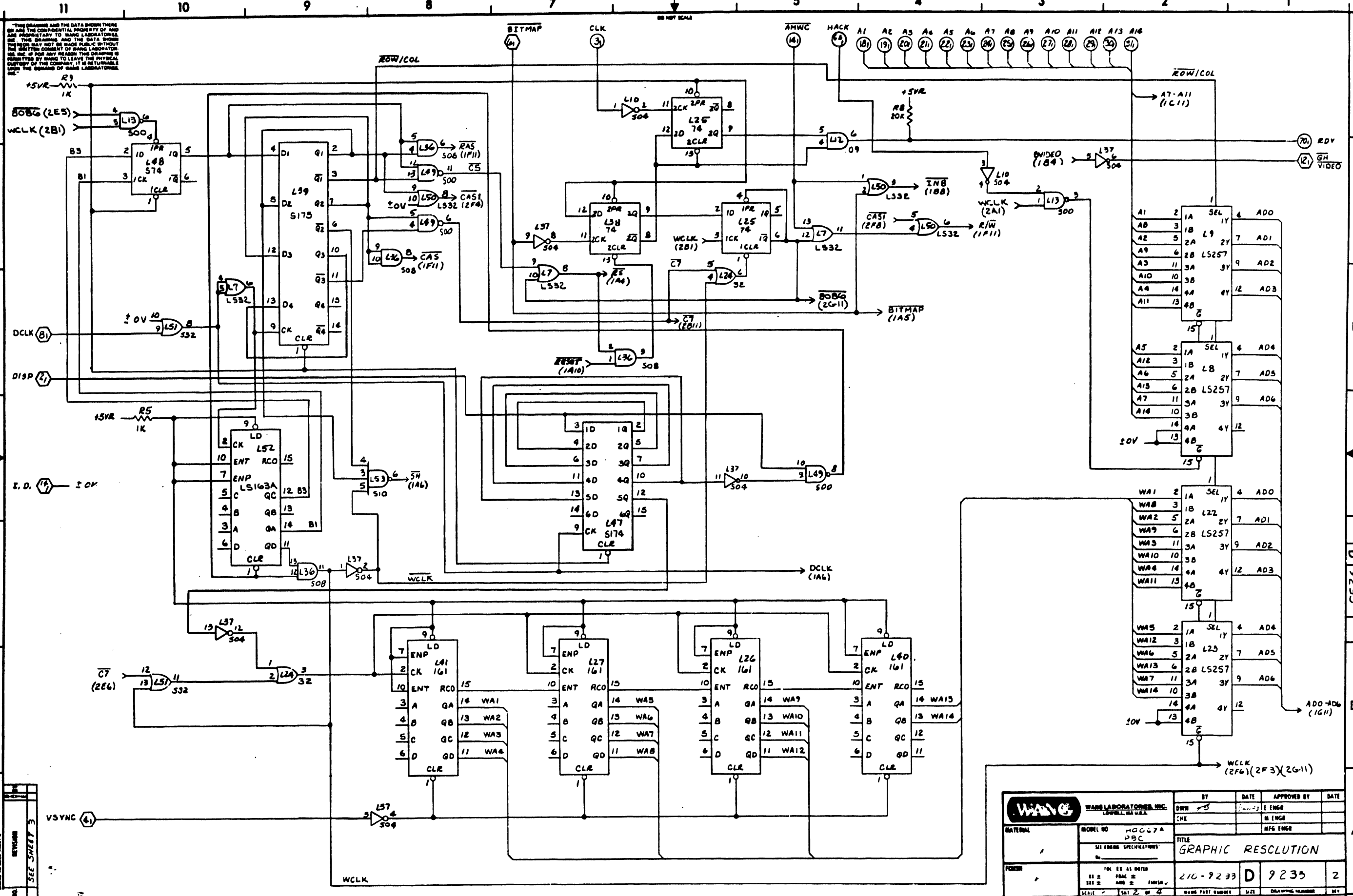
34" CC2



THIS DRAWING AND THE DATA SHOWN THEREON ARE THE CONFIDENTIAL PROPERTY OF WANG LABORATORIES, INC. THIS DRAWING AND THE DATA SHOWN THEREON MAY NOT BE MADE PUBLIC WITHOUT THE WRITTEN CONSENT OF WANG LABORATORIES, INC. IF FOR ANY REASON THIS DRAWING IS PERMITTED BY WANG TO LEAVE THE PHYSICAL CUSTODY OF THE COMPANY, IT IS RETURNABLE UPON THE DEMAND OF WANG LABORATORIES, INC.



WANG WANG LABORATORIES, INC. LOWELL, MASSACHUSETTS		BY	DATE	APPROVED BY	DATE
MATERIAL		OWN	11/23/73	E ENGR	
FINISH		CHE		M ENGR	
TITLE				MFG ENGR	
SEE ENGINE SPECIFICATIONS		GRAPHIC RESOLUTION			
11 IN. 11.41 INCHES	11 IN. 11.41 INCHES	210-9233	D	9233	2
11 IN. 11.41 INCHES	11 IN. 11.41 INCHES	SCALE	1/16" = 1"	WANG PART NUMBER	SIZE



THIS DRAWING AND THE DATA SHOWN THEREON ARE THE CONFIDENTIAL PROPERTY OF AND ARE PROPRIETARY TO WANG LABORATORIES, INC. THE DRAWING AND THE DATA SHOWN THEREON MAY NOT BE MADE PUBLIC WITHOUT THE WRITTEN CONSENT OF WANG LABORATORIES, INC. IF YOU HAVE RECEIVED THIS DRAWING IN CONFIDENCE FROM WANG LABORATORIES, YOU ARE NOT TO DISCLOSE THE DRAWING OR ITS CONTENTS TO ANY OTHER PERSON OR ENTITY WITHOUT THE WRITTEN CONSENT OF WANG LABORATORIES, INC. IF YOU ARE A CONTRACTOR OR SUBCONTRACTOR OF WANG LABORATORIES, YOU ARE NOT TO DISCLOSE THE DRAWING OR ITS CONTENTS TO ANY OTHER PERSON OR ENTITY WITHOUT THE WRITTEN CONSENT OF WANG LABORATORIES, INC.

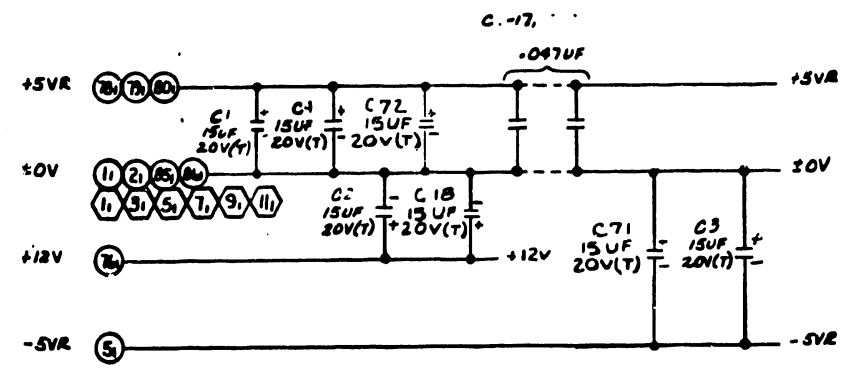
SEE SHEET 3
DD2

		BY	DATE	APPROVED BY	DATE
		DWN	10/1/73	E ENGR	
MODEL NO. 70007A P3C SEE ENGINE SPECIFICATIONS		CHE		M ENGR	
				MFG ENGR	
TITLE GRAPHIC RESOLUTION		210-9233		D 9233	
IN. EE AS BUILT 11 ± FRAK ± 100 ± ABS ± FINISH		210-9233		D 9233	
SCALE: 1:1 SHEET 2 OF 4		WANG PART NUMBER		SIZE: DRAWING NUMBER: 2	

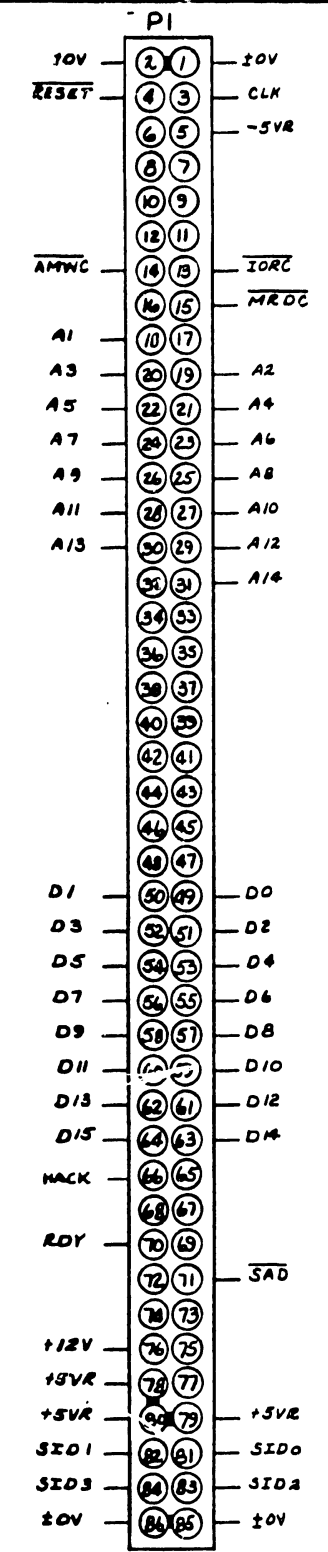
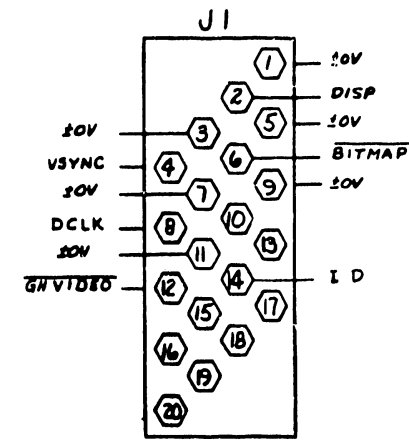
THIS DRAWING AND THE DATA THEREON ARE THE CONFIDENTIAL PROPERTY OF AND ARE PROPRIETARY TO WANG LABORATORIES, INC. THIS DRAWING AND THE DATA THEREON SHOULD NOT BE MADE PUBLIC WITHOUT THE WRITTEN CONSENT OF WANG LABORATORIES, INC. IN NO EVENT SHALL THIS DRAWING BE REPRODUCED OR TRANSMITTED IN ANY FORM OR BY ANY MEANS, ELECTRONIC OR MECHANICAL, INCLUDING PHOTOCOPYING, RECORDING, OR BY ANY INFORMATION STORAGE AND RETRIEVAL SYSTEM, WITHOUT THE WRITTEN PERMISSION OF WANG LABORATORIES, INC.

MNEMONICS	COORD
AMWC	2G5
A1-A14	2G4
BITMAP	2G7
CLK	2G7
DCLK	2E11
DO-DIS	1F1
DISP	2E11
GH VIDEO	2F1
HACK	2G5
I.D.	2D11
IORC	1A11
MRDC	1A11
RDY	2F1
RESET	1A11
SAD	1B11
SID0-SID3	1B11
VSYNC	2A11

IC TYPE	LOCATION	SPARES
74500	L13	2
74504	L10	3
74509	L12	3
74LS32	L7	1
74532	L51	2
74574	L38	1
	L46	1
74310	L53	2



NOTE: ALL RESISTORS ARE 1/4W 5% UNLESS OTHERWISE SPECIFIED.

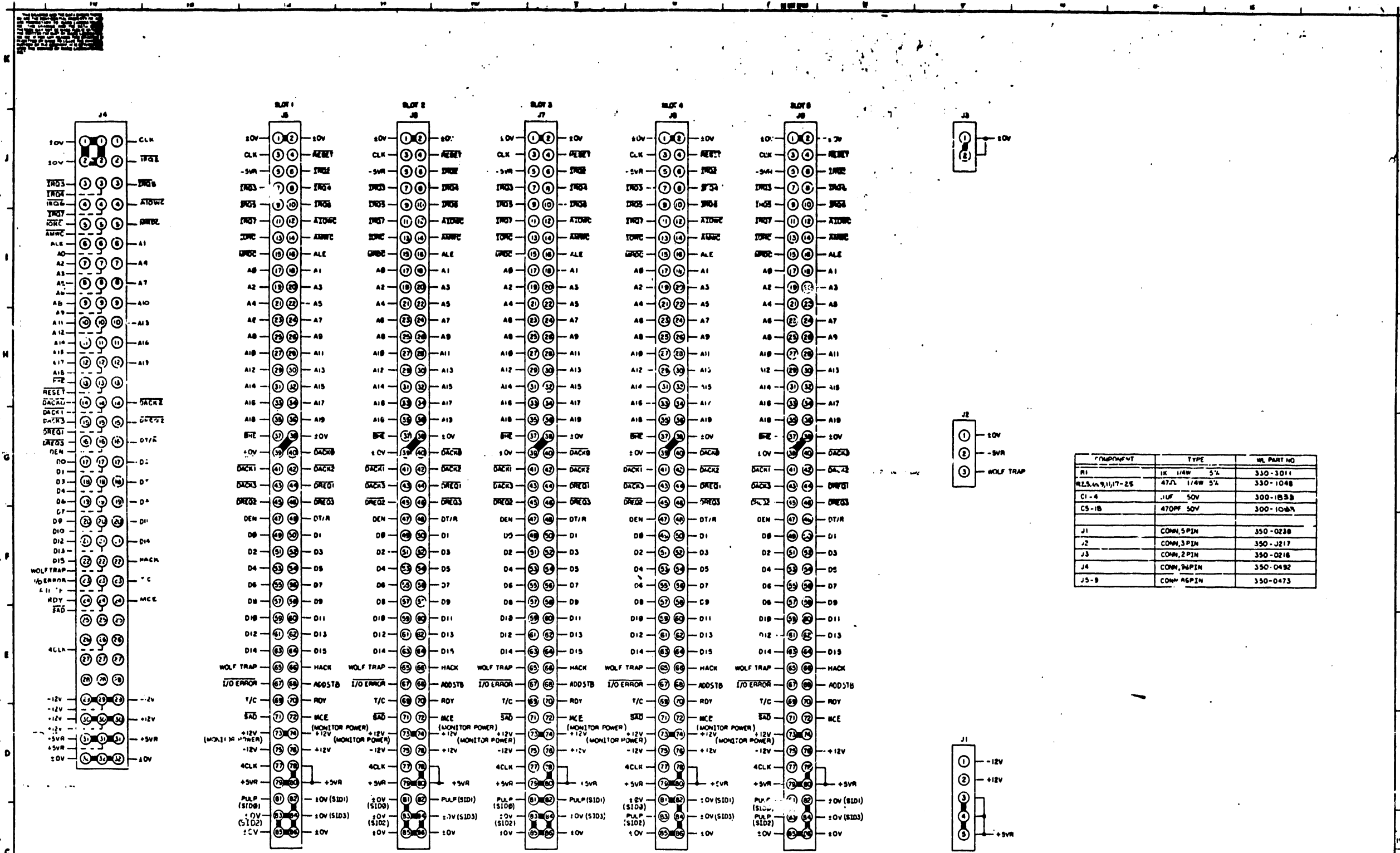


NO.	REVISION	DATE	BY	APPROVED BY
1	ORIGINATED PER DWG 2126	11/11/73	W.A.	W.A.
2	REVISED PER 800-31789	11/11/73	W.A.	W.A.
3	REVISED PER 800-31789	11/11/73	W.A.	W.A.
4	REVISED PER 800-31789	11/11/73	W.A.	W.A.

WANG WANG LABORATORIES, INC. LOWELL, MA U.S.A.		BY	DATE	APPROVED BY	DATE
MATERIAL	MODEL NO. H0007A PDC	W.A.	11/11/73	W.A.	
FINISH	SEE ENGINE SPECIFICATIONS	CHL		M ENGR	
TITLE		210-9233		D	9233
SCALE		SIZE		DRAWING NUMBER	
SCALE 1/8" = 1"		SIZE 2 1/2" x 3 1/2"		DRAWING NUMBER 9233	

D 9233

DD3



COMPONENT	TYPE	WL PART NO
R1	1K 1/4W 5%	350-3011
R2, R3, R4, R5, R6, R7, R8, R9, R10, R11, R12, R13, R14, R15, R16, R17, R18, R19, R20, R21, R22, R23, R24, R25, R26, R27, R28, R29, R30, R31, R32, R33, R34, R35, R36, R37, R38, R39, R40, R41, R42, R43, R44, R45, R46, R47, R48, R49, R50, R51, R52, R53, R54, R55, R56, R57, R58, R59, R60, R61, R62, R63, R64, R65, R66, R67, R68, R69, R70, R71, R72, R73, R74, R75, R76, R77, R78, R79, R80, R81, R82, R83, R84, R85, R86, R87, R88, R89, R90, R91, R92, R93, R94, R95, R96, R97, R98, R99, R100	472L 1/4W 5%	350-1048
C1-4	.1UF 50V	300-1B33
C5-18	470PF 50V	300-1048
J1	CONN, 5 PIN	350-0238
J2	CONN, 3 PIN	350-0217
J3	CONN, 2 PIN	350-0216
J4	CONN, 9 PIN	350-0492
J5-8	CONN, 8 PIN	350-0473

NOTE:
 1. UNLESS OTHERWISE SPECIFIED,
 ALL RESISTORS ARE IN OHMS 1/4W 5%
 2. C1, C18, C19, C20, C21, C22, C23, C24, C25, C26, C27, C28, C29, C30, C31, C32, C33, C34, C35, C36, C37, C38, C39, C40, C41, C42, C43, C44, C45, C46, C47, C48, C49, C50, C51, C52, C53, C54, C55, C56, C57, C58, C59, C60, C61, C62, C63, C64, C65, C66, C67, C68, C69, C70, C71, C72, C73, C74, C75, C76, C77, C78, C79, C80, C81, C82, C83, C84, C85, C86, C87, C88, C89, C90, C91, C92, C93, C94, C95, C96, C97, C98, C99, C100

WANG

DATE: 11/17/75
 BY: J. S.
 CHECKED: J. S.

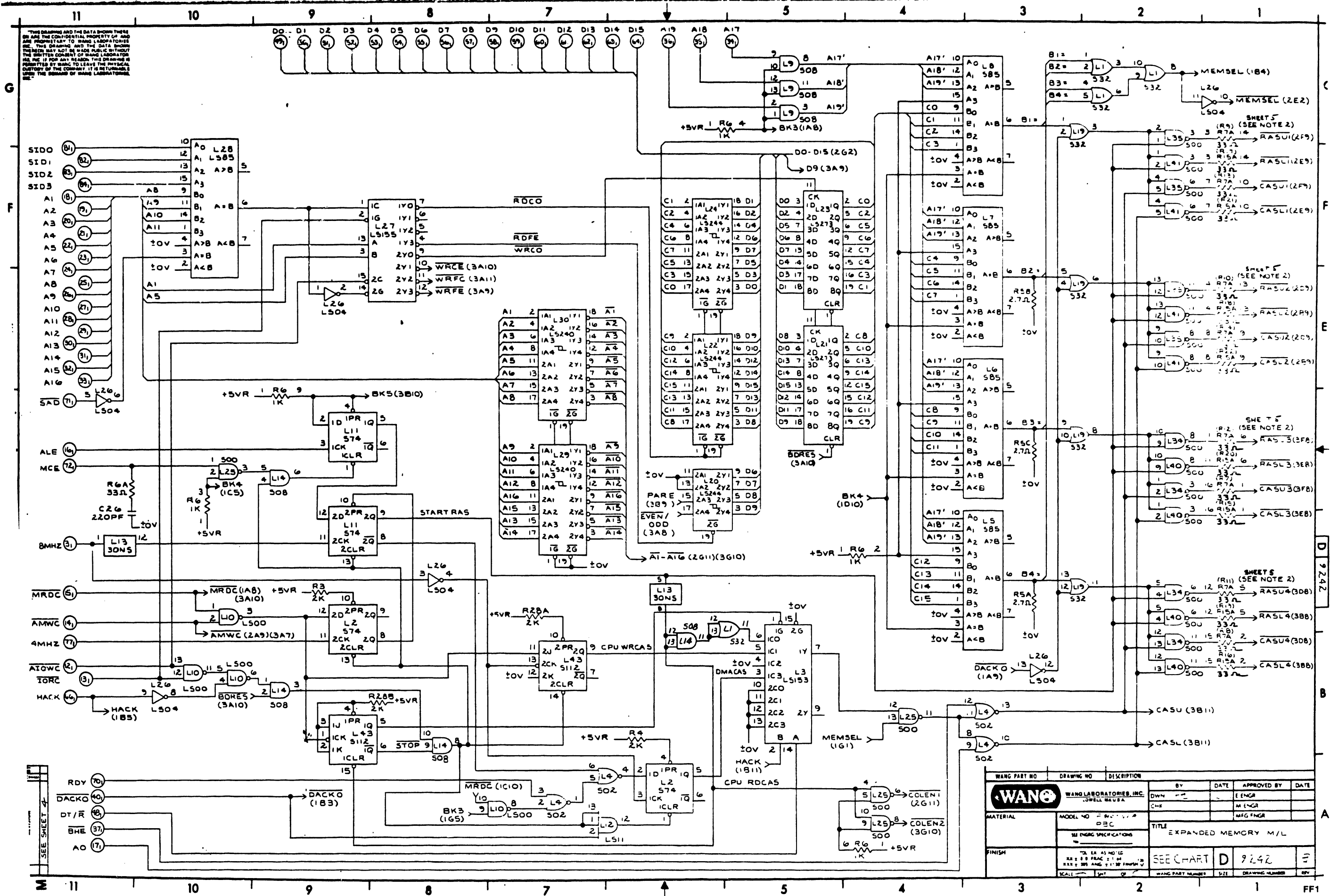
MOTHER BOARD

210-9237 E 9237 2

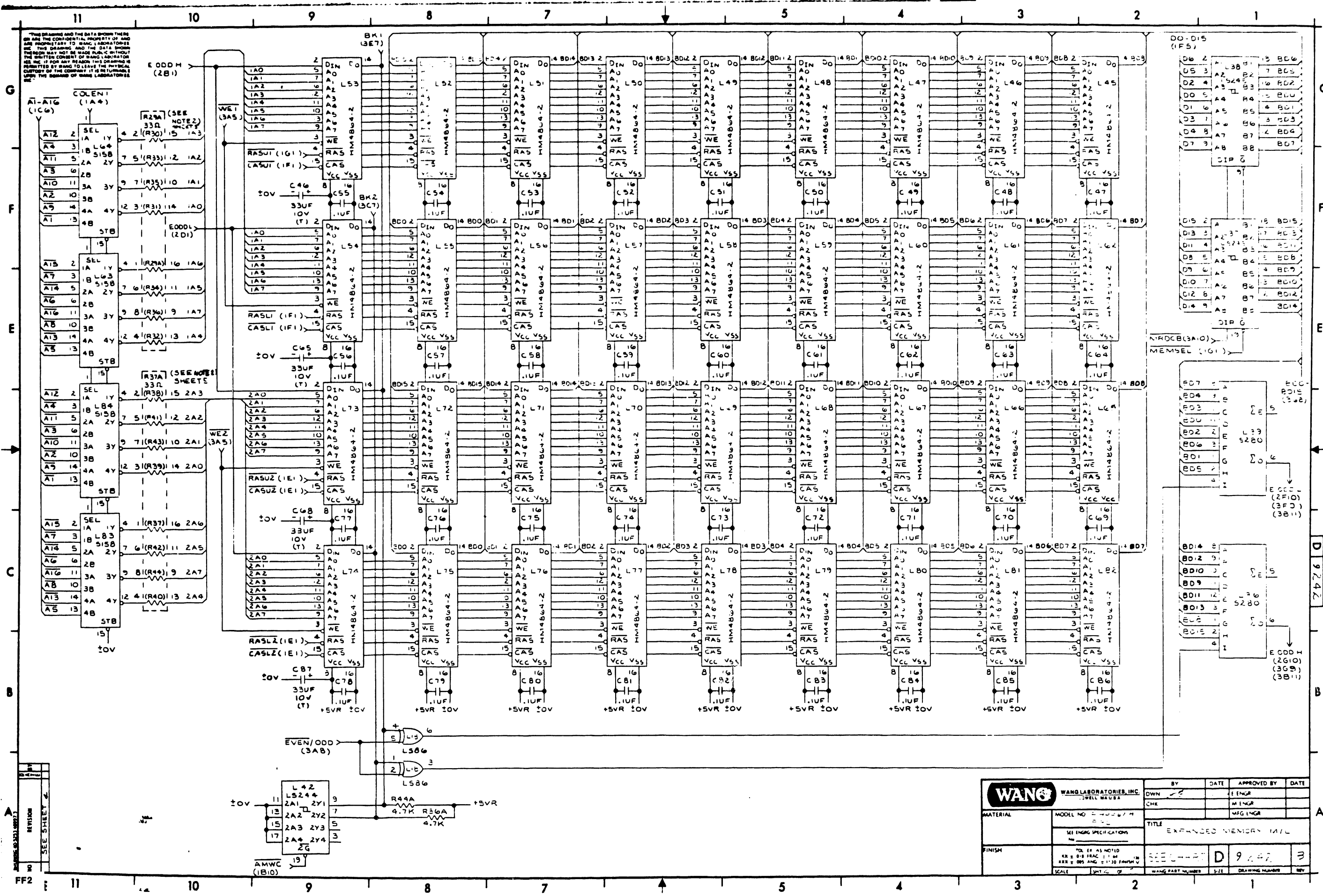
77
 17
 11
 8.5
 11
 17
 22
 34

22
 17
 11
 8.5
 8.5
 11
 17
 22
 34

"THIS DRAWING AND THE DATA SHOWN THEREON ARE THE CONFIDENTIAL PROPERTY OF AND ARE PROPRIETARY TO WANG LABORATORIES, INC. THIS DRAWING AND THE DATA SHOWN THEREON MAY NOT BE REPRODUCED OR TRANSMITTED IN ANY FORM OR BY ANY MEANS, ELECTRONIC OR MECHANICAL, INCLUDING PHOTOCOPYING, RECORDING, OR BY ANY INFORMATION STORAGE AND RETRIEVAL SYSTEM, WITHOUT THE WRITTEN CONSENT OF WANG LABORATORIES, INC. IF YOU ARE A CONTRACTOR OR SUBCONTRACTOR OF WANG LABORATORIES, INC. YOU SHALL BE RESPONSIBLE FOR OBTAINING THE NECESSARY PERMISSIONS FROM WANG LABORATORIES, INC. TO REPRODUCE OR TRANSMIT THIS DRAWING AND THE DATA SHOWN THEREON IN ANY FORM OR BY ANY MEANS, ELECTRONIC OR MECHANICAL, INCLUDING PHOTOCOPYING, RECORDING, OR BY ANY INFORMATION STORAGE AND RETRIEVAL SYSTEM, WITHOUT THE WRITTEN CONSENT OF WANG LABORATORIES, INC."



WANG PART NO	DRAWING NO	DESCRIPTION	BY	DATE	APPROVED BY	DATE
			DWN		E ENGR	
			CHR		M ENGR	
					MFG ENGR	
MATERIAL		MODEL NO = 000000	TITLE EXPANDED MEMORY M/L			
FINISH		SEE ENGR SPECIFICATIONS	SCALE			
		TO: EA AS NO LC	SEE CHART D 9242			
		RE: 8 B PRAC 1 1 M	WANG PART NUMBER 522 DRAWING NUMBER 3			
		REV: 2 201 11-30 11-30 11-30	SCALE			

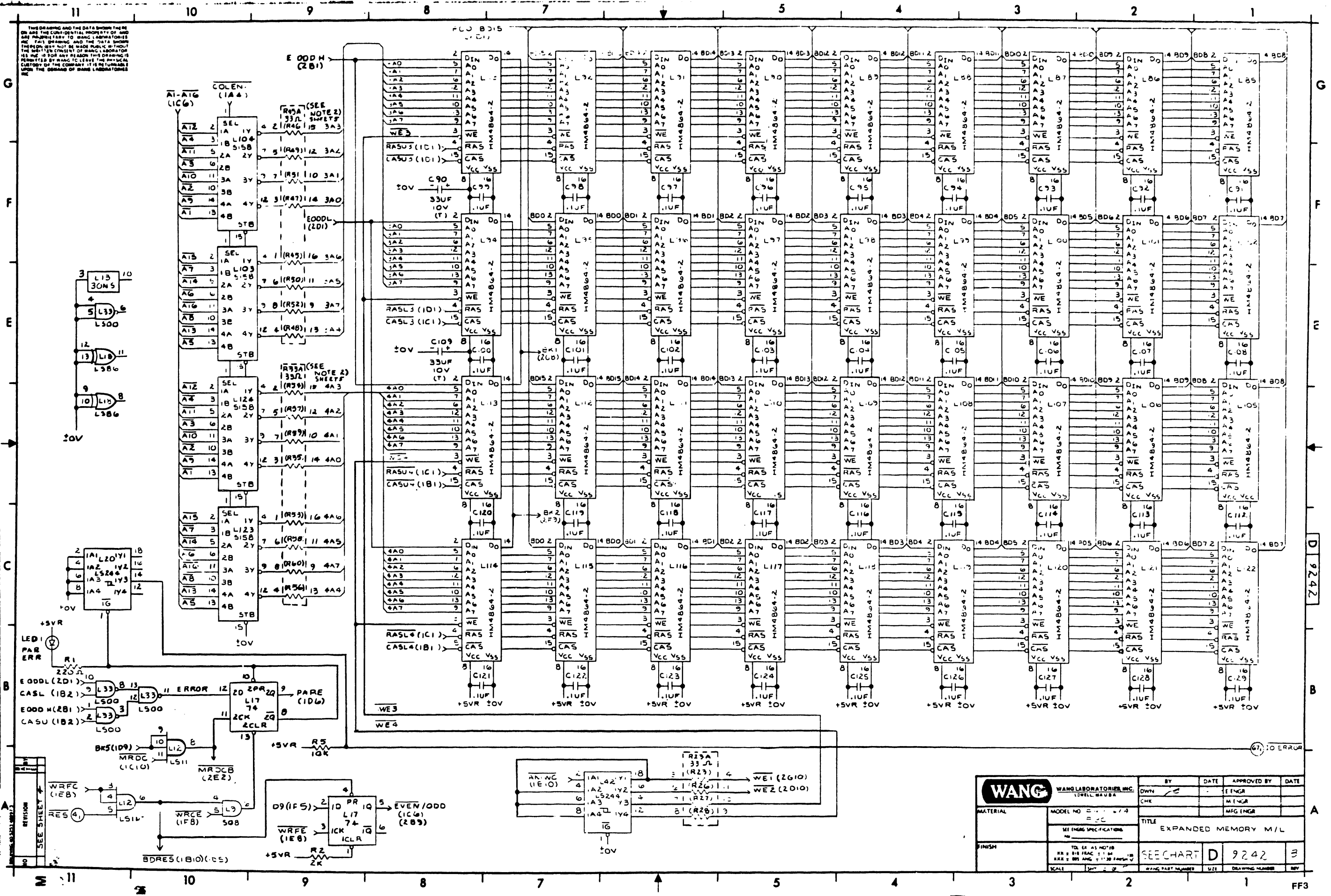


This drawing and the data shown there are the confidential property of and are proprietary to WANG LABORATORIES, INC. This drawing and the data shown there may not be made public without the written consent of WANG LABORATORIES, INC. If for any reason this drawing is furnished to a third party, it is the responsibility of the recipient to return it to the sender of this drawing.

REVISION
 SEE SHEET 4
 NO. 11
 10
 9
 8
 7
 5
 4
 3
 2
 1

WANG WANG LABORATORIES, INC. WELL MAUSA		BY DWN	DATE 11/11/74	APPROVED BY E ENGR	DATE
MATERIAL		CHK		M ENGR	
MODEL NO. 2200/4 16K		TITLE EXPANDED MEMORY 16K			
FINISH		SCALE		SEE SHEET	D 9 2 4 2
VOL. 44-1010 SER. 018 FRAC. 1 04 REV. 005 ANG. 1 10 PART 1 V		WANG PART NUMBER		3 11	REV

THIS DRAWING AND THE DATA SHEET THEREON ARE THE CONFIDENTIAL PROPERTY OF WANG LABORATORIES INC. AND ARE TO BE USED ONLY FOR THE PURPOSES SPECIFIED THEREIN. NO PART OF THIS DRAWING OR THE DATA SHEET THEREON MAY BE REPRODUCED OR TRANSMITTED IN ANY FORM OR BY ANY MEANS, ELECTRONIC OR MECHANICAL, INCLUDING PHOTOCOPYING, RECORDING, OR BY ANY INFORMATION STORAGE AND RETRIEVAL SYSTEM, WITHOUT THE WRITTEN PERMISSION OF WANG LABORATORIES INC. IN NO EVENT SHALL WANG LABORATORIES INC. BE LIABLE FOR ANY DAMAGES, INCLUDING CONSEQUENTIAL DAMAGES, ARISING OUT OF OR IN CONNECTION WITH THE USE OF THIS DRAWING OR THE DATA SHEET THEREON.



WANG WANG LABORATORIES INC. MODEL 9242		BY	DATE	APPROVED BY	DATE
MATERIAL	MODEL NO. 9242	DWN		E ENGR	
FINISH	SEE INCH SPECIFICATIONS	CHK		M ENGR	
TITLE		EXPANDED MEMORY M/L			
TO: SA AS NOTED		SEE CHART	D	9242	3
FR: 2 818 FRAC 2 1 04		DRAWING NUMBER		SIZE	DRAWING NUMBER
REV: 2 818 2 1 04		REV: 2 818 2 1 04		SCALE	REV: 2 818 2 1 04

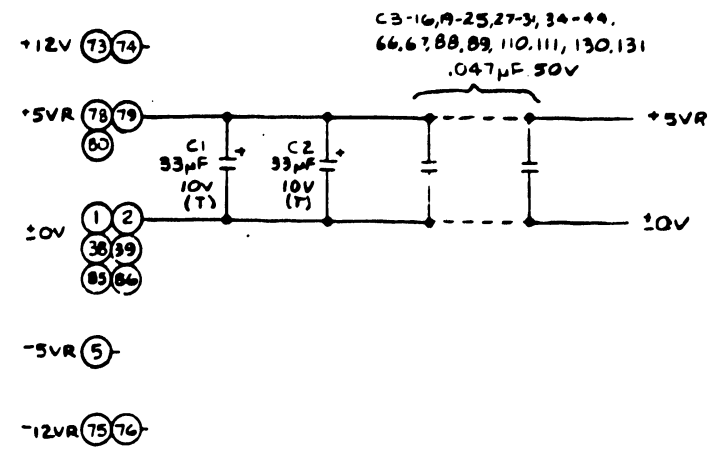
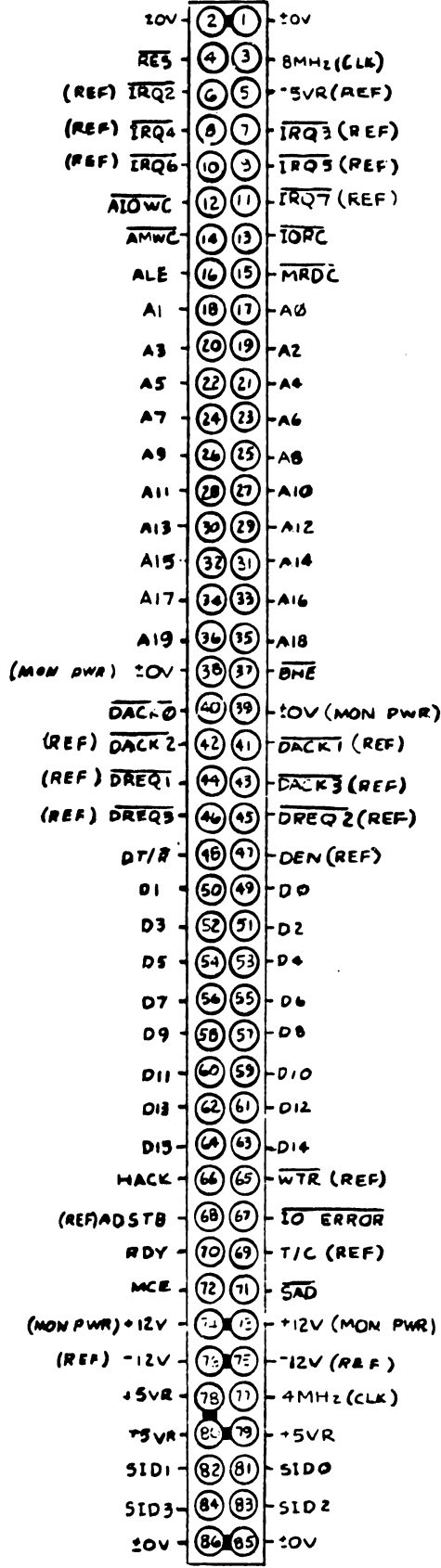
THIS DRAWING AND THE DATA SHOWN THEREON ARE THE CONFIDENTIAL PROPERTY OF AND ARE PROPRIETARY TO WANG LABORATORIES, INC. THIS DRAWING AND THE DATA SHOWN THEREON MAY NOT BE MADE PUBLIC WITHOUT THE WRITTEN CONSENT OF WANG LABORATORIES, INC. IF FOR ANY REASON THIS DRAWING IS REPRODUCED BY ANY OTHER PARTY, IT IS HEREBY ADVISED THAT THE PHYSICAL PROPERTY OF THE COMPANY IS RETAINABLE UNDER THE DEMAND OF WANG LABORATORIES, INC.

G
F
E
D
C
B
A

IC TYPE	LOCATION	SPARES
74LS00	L33	1
74S32	L1	1
74LS86	L18	2

MNEMONIC	COORD
A0	1A11
A1-A16	1E11,1F11
A17-A19	1G6
A10WC	1B11
ALE	1D11
AMWC	1C11
BME	1A11
D0-D15	1G6-1G9
DACK0	1A11
DT/R	1A11
HACK	1B11
IO ERROR	3B1
IORC	1B11
4MHz	1B11
8MHz	1C11

MNEMONIC	COORD
MCE	1D11
MRDC	1C11
RDY	1A11
RES	3A11
SAD	1D11
SID0-SID3	1F11



NOTES:
 *SEE VARIATION CHART
 1. ALL RESISTORS ARE 1/4W, 5% UNLESS OTHERWISE SPECIFIED.
 2. WHEN 33Ω DIP Pkgs ARE NOT AVAILABLE LOAD 53Ω 1/4W 5% RESISTORS IN POSITIONS MARKED (R7-R23, R26-R60).

9242
 "E" REV 0
 9242-1
 "E" REV 0
 9242-2
 "E" REV 0

REVISION	DATE	BY	APP'D
ORIGINATED PER	1-28-82	CAS	WLB
REVISED PER	1-28-82	WLB	WLB
REVISED PER	1-28-82	WLB	WLB
REVISED PER	1-28-82	WLB	WLB
REVISED PER	1-28-82	WLB	WLB
REVISED PER	1-28-82	WLB	WLB
REVISED PER	1-28-82	WLB	WLB
REVISED PER	1-28-82	WLB	WLB

WANG PART NO	DRAWING NO	DESCRIPTION	BY	DATE	APPROVED BY	DATE
WANG	WANG LABORATORIES, INC. LOWELL, MA USA	MODEL NO PH007A PCB	DWN	1-28-82	WLB	1-28-82
MATERIAL	MI ENG SPECIFICATION	TITLE	CHR	WLB	WLB	WLB
FINISH	SCALE 1:1	EXPANDED MEMORY BD M/L	WLB	WLB	WLB	WLB
	SCALE 1:1	D 9242				
		3				

FF4 M 10 9 8 7 5 4 3 2 1

D 9242

B

A

11 10 9 8 7 5 4 3 2 1

THIS DRAWING AND THE DATA SHOWN THERE ON ARE THE CONFIDENTIAL PROPERTY OF WANG AND PROPRIETARY TO WANG LABORATORIES, INC. THIS DRAWING AND THE DATA SHOWN THEREIN MAY NOT BE MADE PUBLIC WITHOUT THE WRITTEN CONSENT OF WANG LABORATORIES, INC. IF FOR ANY REASON THIS DRAWING IS PERMITTED BY WANG TO LEAVE THE PHYSICAL POSSESSION OF THE COMPANY IT IS RETURNABLE TO THE OFFICE OF WANG LABORATORIES, INC.

DO NOT SCALE

ITEM NO.	WANG PART NO.	DESCRIPTION	REFERENCE DESIGNATION(S)	QTY.	ITEM NO.	WANG PART NO.	DESCRIPTION	REFERENCE DESIGNATION(S)	QTY.	ITEM NO.	WANG PART NO.	DESCRIPTION	REFERENCE DESIGNATION(S)	QTY.
52														
51	45B-3040	RF SHIELD/BRACKET (MKT)		1										
50														
49														
48	465-1250	EJECTOR		1										
47														
46	377-0917	4864-2 I.C.	L48-81, 84-82, 87-101, 105-112	72										
45														
44														
43	376-8005	30MS DELAY LINE I.C.	L13	1										
42														
41	376-0509	745112 I.C.	L43	1										
40	376-0302	74LS273 I.C.	L21, 23	2										
39	376-0301	74LS158 I.C.	L67, 69, 81, 103, 108, 123, 124	8										
38	376-0297	74LS240 I.C.	L29, 30	2										
37	376-0288	74LS244 I.C.	L20, 22, 24, 42	4										
36	376-0285	74LS245 I.C.	L37, 38	2										
35	376-0259	74585 I.C.	L5-B	4										
34	376-0246	745280 I.C.	L36, 39	2										
33	376-0231	74LS86 I.C.	L18	1										
32	376-0228	74500 I.C.	L35, 36, 35, 40, 41	5										
31	376-0225	74LS11 I.C.	L12	1										
30	376-0218	74LS05 I.C.	L24	1										
29	376-0207	74LS00 I.C.	L10, 33	2										
28	376-0205	74532 I.C.	L1, 19	2										
27	376-0200	74508 I.C.	L9, 14	2										
26	376-0199	74502 I.C.	L4	1										
25	376-0180	74LS04 I.C.	L26	1										
24	376-0158	74LS155 I.C.	L27	1										
23	376-0154	74LS153 I.C.	L3	1										
22	376-0096	7474 I.C.	L17	1										
21	376-0202	74574 I.C.	L2, 11	2										
20														
19	370-1056	LAMP HOLDER		2										
18	370-0075	LAMP REFL (R2)	L601	1										
17														
16	333-0835	RES 33.4K 1/4W 5% R6	R1A, 1A, 1YA, 29A, 33A, 35A, 35A (SEE NOTES)	7										
15	333-0837	RES 1K DIP 9PAG	R6	1										
14														
13														
12	330-4011	RES 10K 1/4W 5% R5	R5	1										
11	330-3048	RES 9.1K 1/4W 5% R36A, 44A	R36A, 44A	2	64	615-2929	LBL, RF SHIELD		1					
10	330-3021	RES 2K 1/4W 5% R2, 3, 9, 28A, 28B	R2, 3, 9, 28A, 28B	5	63	615-2930	LBL, RF SHIELD		1					
9	330-2023	RES 220 1/4W 5% R1	R1	1	62									
8	330-1034	RES 33K 1/4W 5% R6A	R6A	1	61	653-3000	WASH. G. 109103100		2					
7	330-0028	RES 2.7K 1/4W 5% R5A, 5B, 5C	R5A, 5B, 5C	3	60									
6					59	652-0032	6-32 LOCKWASH NUTS		2					
5					58									
4	300-4024	33.0K 10PIT/CAP	C1, 2, 4, 6, 6, 6, 6, 9, 10, 10	8	57									
3	300-1966	.047 1/4P 50P CAP	C3-16, 19-25, 27-31, 34-44, 46, 47, 48, 49, 110, 111, 130, 131	45	56									
2	300-1833	.1 1/4P 50V CAP	C21-54, 67-86, 91-100, 112-133	72	55	650-3120	6-32 1/2 PAN HD NUTS		2					
1	300-1220	220 PF 500V CAP	C26	1	54									
					53	510-9242	PCB STIFFENER MEM'Y		1					

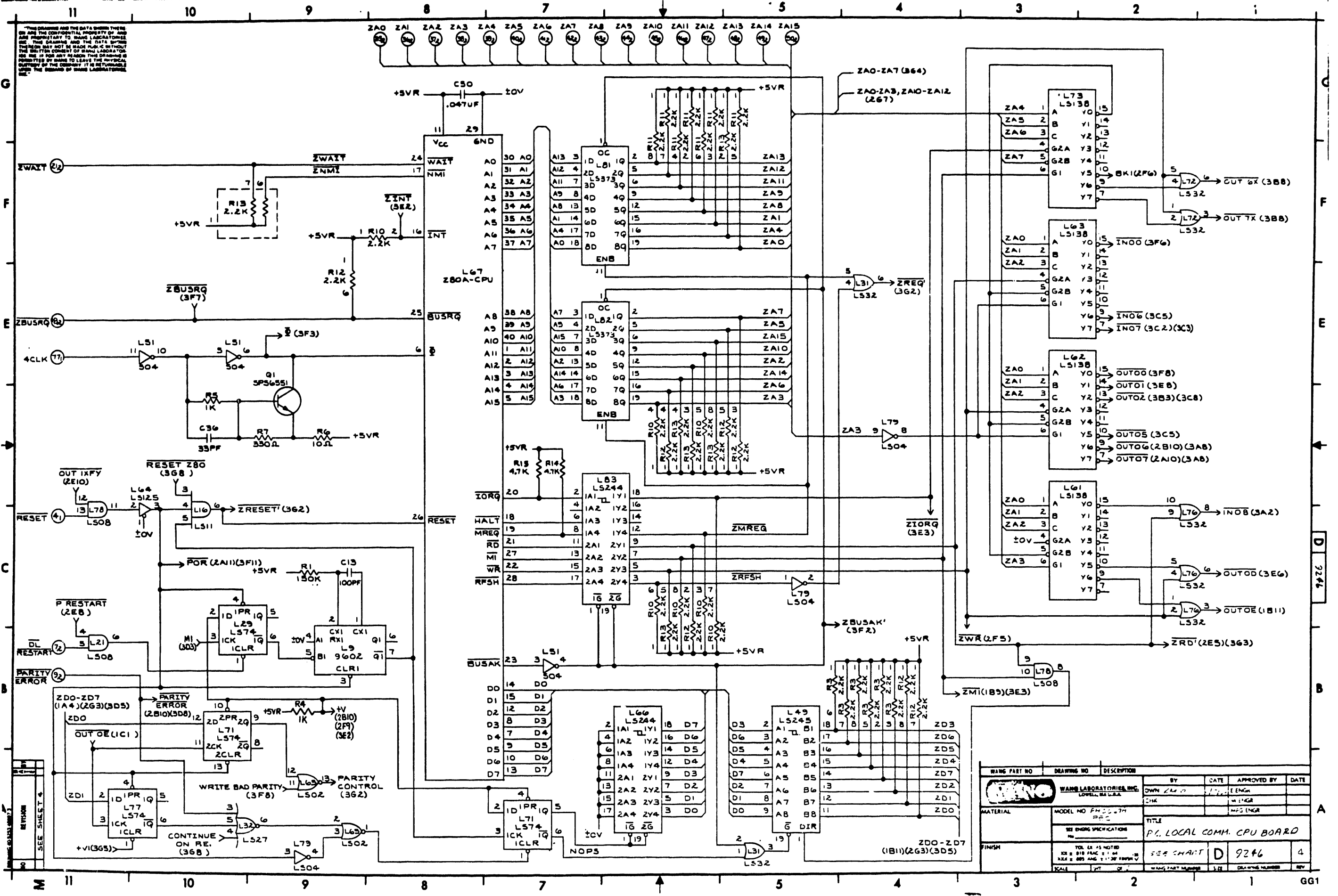
VARIATION CHART DO NOT LOAD		
9242-1(28K)	9242-1(256K)	9242-2(512K)
L5-7, 21, 22, 34, 40, 65-124	L5, 6, 21, 22, 34, 40, 85-124	
C68-87, 90-131	C90-131	
R37A, 45A, 53A	R5B, 45A, 53A	R5A, 5B, 5C

REVISION
NO. 1
DATE 11-1-72
BY J.E. 3-1-72

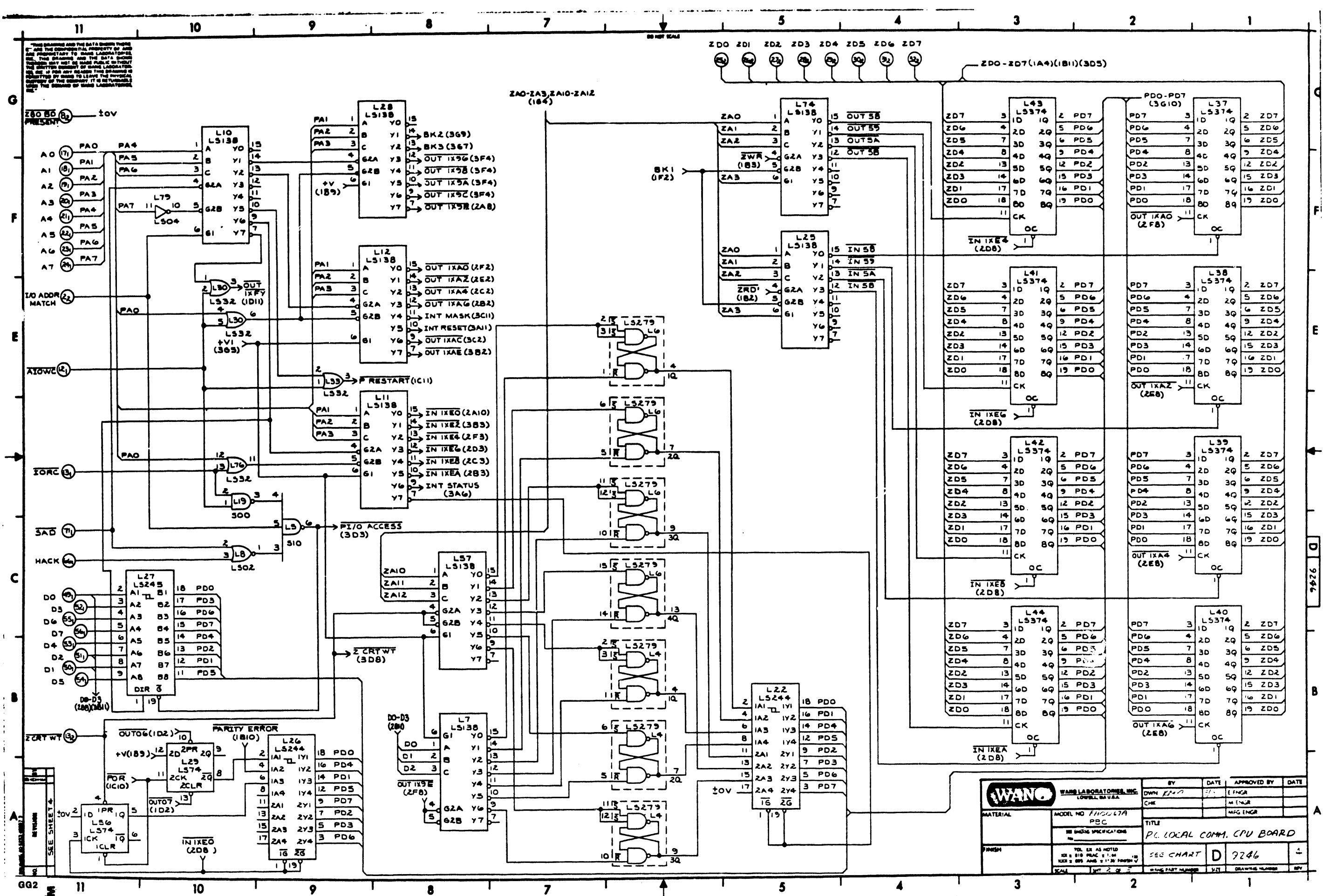
WANG WANG LABORATORIES, INC. LOWELL, MA U.S.A.		BY	DATE	APPROVED BY	DATE
MATERIAL	MODEL NO. PHL 67A PBC	DWH		E ENGR	
	SIT ENGR SPECIFICATIONS	CHE		M ENGR	
				MFG ENGR	
		TITLE EXPANDED MEMORY ED M/L			
		SEE CHART	D 9242	3	
		SCALE 1/8" = 1"	SHEET 3 OF 5	WIRE PART NUMBER	SIZE
				DRAWING NUMBER	REV

11 10 9 8 7 5 4 3 2 1 FF5

This drawing and the data sheets thereon are the confidential property of and are proprietary to Wang Laboratories, Inc. This drawing and the data sheets thereon may not be made public without the written consent of Wang Laboratories, Inc. If for any reason this drawing is furnished by Wang to leave the physical custody of the company it is returnable upon the demand of Wang Laboratories, Inc.



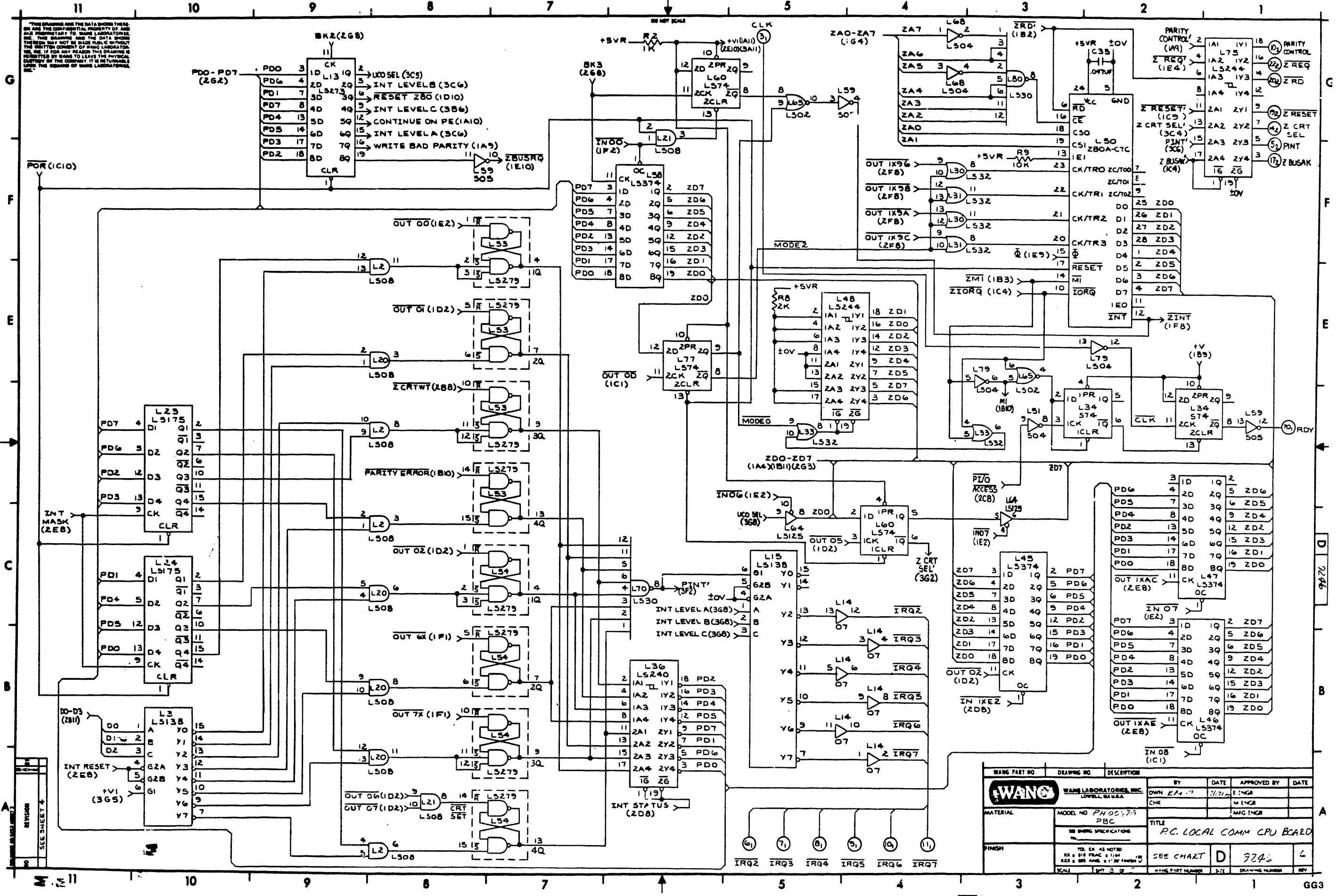
WANG PART NO	DRAWING NO	DESCRIPTION	BY	DATE	APPROVED BY	DATE
			DWN		E ENGR	
			CHK		M ENGR	
					MFG ENGR	
MATERIAL	MODEL NO PNC-174 PNC	TITLE PL LOCAL COMM. CPU BOARD				
FINISH	SEE ENGR SPECIFICATION					
	YOL 12 25 NOTED REV 2 818 FRAC 2 1 84 REV 2 809 ANG 1 1 84	SEE CHART				
	SCALE					



THIS DRAWING AND THE DATA THEREON ARE THE PROPERTY OF AND ARE LOANED TO YOUR LABORATORY BY THE GENERAL ELECTRIC COMPANY. IT IS NOT TO BE REPRODUCED OR TRANSMITTED IN ANY FORM OR BY ANY MEANS, ELECTRONIC OR MECHANICAL, INCLUDING PHOTOCOPYING, RECORDING, OR BY ANY INFORMATION STORAGE AND RETRIEVAL SYSTEM, WITHOUT THE WRITTEN PERMISSION OF THE GENERAL ELECTRIC COMPANY. IT IS UNLAWFUL TO DISSEMINATE OR TO ATTEMPT TO DISSEMINATE THIS DRAWING OR THE DATA THEREON TO ANY OTHER PERSON OR ORGANIZATION WITHOUT THE WRITTEN PERMISSION OF THE GENERAL ELECTRIC COMPANY.

WANG WANG LABORATORIES, INC. LOWELL, MA U.S.A.		BY DWN	DATE 11-1-74	APPROVED BY M ENGR	DATE
MATERIAL	MODEL NO. P10007A	CHK		MFG ENGR	
FRESH	SEE CHART				
TITLE PL. LOCAL COMM. CPU BOARD		DRAWING NO. D 9246		REV. 1	

THIS DRAWING AND THE DATA SHOWN THEREON ARE THE CONFIDENTIAL PROPERTY OF WANG AND PROPRIETARY TO WANG LABORATORIES, INC. THE DRAWING AND THE DATA SHOWN THEREON MAY NOT BE MADE PUBLIC WITHOUT THE WRITTEN CONSENT OF WANG LABORATORIES, INC. IF FOR ANY REASON THIS DRAWING IS REPRODUCED OR COPIED IN WHOLE OR IN PART BY ANY OTHER PARTY, IT IS HEREBY AGREED THAT THE REPRODUCER SHALL INDEMNIFY AND HOLD HARMLESS WANG LABORATORIES, INC. FROM AND AGAINST ALL SUCH DAMAGES AND COSTS, INCLUDING REASONABLE ATTORNEY'S FEES.



WANG PART NO	DRAWING NO	DESCRIPTION	BY	DATE	APPROVED BY	DATE
			OWN	2/14/77	E. MCGA	
			CHK		M. ENGR	
					MFG ENGR	
MATERIAL	MODEL NO PH00:77A PBC	TITLE P.C. LOCAL COMM CPU BOARD				
FINISH	TO BE AS NOTED SEE CHART	SEE CHART				

REVISION
SEE SHEET 4

9246

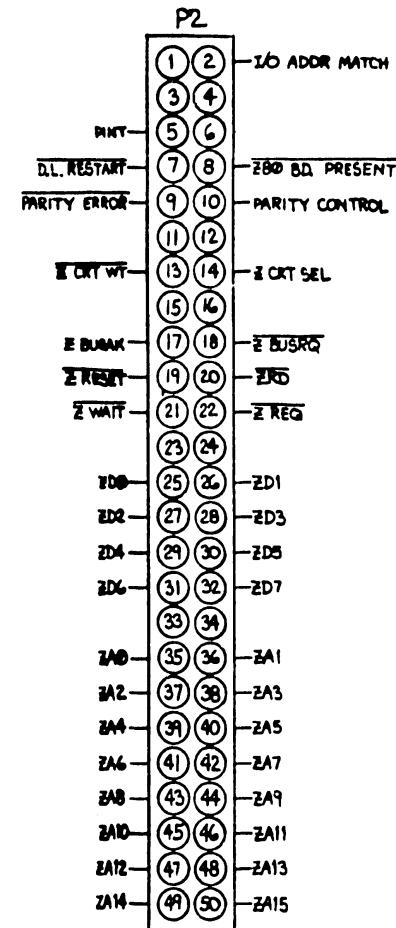
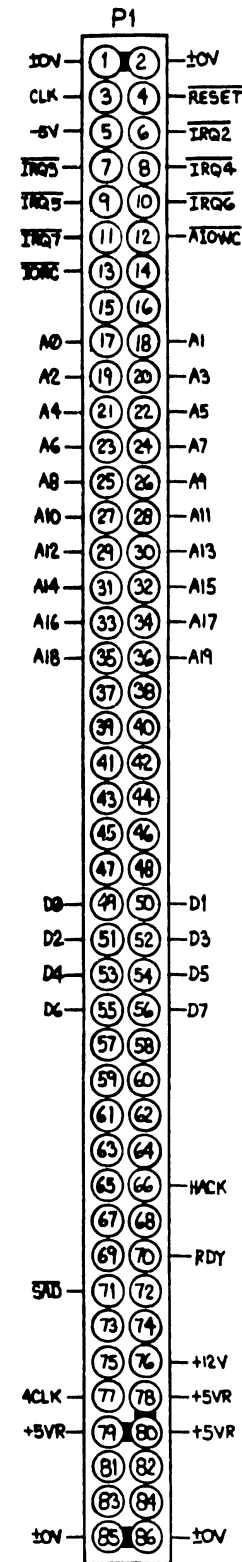
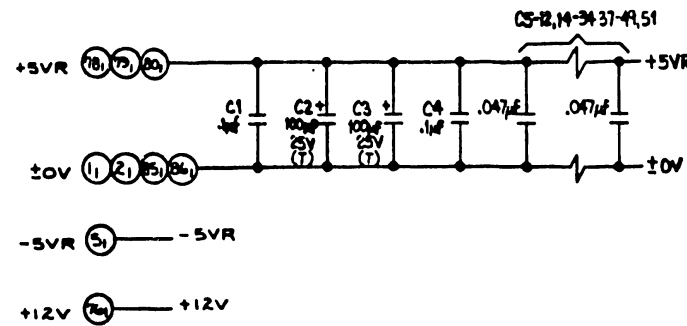
GG3

THIS DRAWING AND THE DATA THEREON ARE THE CONFIDENTIAL PROPERTY OF AND ARE PROPRIETARY TO WANG LABORATORIES, INC. THE DRAWING AND THE DATA THEREON MAY NOT BE MADE PUBLIC WITHOUT THE WRITTEN CONSENT OF WANG LABORATORIES, INC. IF FOR ANY REASON THIS DRAWING IS REPRODUCED BY WANG TO LEAVE THE PHYSICAL POSSESSION OF THE COMPANY, IT IS RETURNABLE TO THE DEPARTMENT OF WANG LABORATORIES, INC.

MEMORICS	COORD
AD-A7	2F11
AZOWC	2E11
CLK	3G5
DB-D7	2C11
DL RESTART	1B11
DT/R	2B11
HACK	2C11
I/O ADDR MATCH	2E11
IORE	2D11
IORE-IORE7	3A5
PARITY CONTROL	3F1
PARITY ERROR	1B11
PINT	3G1
RDY	3D1
RESET	1C11
SAD	2C11
ZAD-ZA15	1G8
Z BUSAK	3G1
Z BUSRQ	1E11
Z CRT SEL	3G1
Z CRT WT	2B11
ZD0-ZD7	2G5
ZRD	3G1
Z RESET	3G1
Z REG	3G1
Z WAIT	1F11
ZBO DL PRESENT	2G11
ZCLK	1E11

I.C. TYPE	LOCATION	SPARES
74S00	L19	3
74LS02	L8	3
74LS04	L68	4
74S04	L51	2
74S05	L59	3
74LS08	L21	1
	L78	2
74S10	L5	2
74S11	L16	2
74LS27	L32	2
74LS32	L33	1
	L72	2
74LS74	L56	1
74S02	L9	1
74LS125	L64	1
SPARE	L17,18,35,52,55,69	

Z10 = 209 + 377 OR 378			
Z10	209	L50	L67
9296-A	9296-C	377-0371	377-0368



NOTE: ALL RES. ARE 1/4W 5% UNLESS OTHERWISE SPECIFIED.

E-REV
0

REV	DATE	BY	CHKD	APP'D	DESCRIPTION
1	5/17/77	5-84	2-6-84	5/19/77	5-22/77
2					
3					
4					
5					
6					
7					
8					
9					
10					

WANG WANG LABORATORIES, INC. LOWELL, MASSACHUSETTS		BY	DATE	APPROVED BY	DATE
MODEL NO. PH0047A PBC		DWN KPC	4/21/77	E ENGR	
SEE TOSAS SPECIFICATIONS		CHKD		M ENGR	
TITLE		P.L. LOCAL COMM. CPU BOARD			
FINISH		TOL. EX. AS NOTED	SEE CHART	D	9246
SCALE		1:1	1:1	1:1	1:1
SCALE		1:1	1:1	1:1	1:1

THIS DRAWING AND THE DATA SHOWN THERE ON ARE THE CONFIDENTIAL PROPERTY OF AND ARE PROPRIETARY TO WANG LABORATORIES, INC. THIS DRAWING AND THE DATA SHOWN THEREON MAY NOT BE MADE PUBLIC WITHOUT THE WRITTEN CONSENT OF WANG LABORATORIES, INC. IF FOR ANY REASON THIS DRAWING IS PERMITTED BY WANG TO LEAVE THE PHYSICAL CUSTODY OF THE COMPANY IT IS RETURNABLE UPON THE DEMAND OF WANG LABORATORIES, INC.

DO NOT SCALE

ITEM NO.	WANG PART NO.	DESCRIPTION	REFERENCE DESIGNATION(S)	QTY.	CALLOUT		ITEM NO.	WANG PART NO.	DESCRIPTION	REFERENCE DESIGNATION(S)	QTY.	CALLOUT	
					NO.	QTY.						NO.	QTY.
53													
52	376-0288	IC 74LS244	22,26,48,64,75,83	6									
49	376-0286	IC 74LS374	L37-47,58	12									
50	376-0285	IC 74LS245	L37,49	2									
48	376-0249	IC 74LS30	L70,80	2									
47	376-0245	IC 74LS27	L32	1									
46	376-0238	IC 74LS10	L5	1									
45													
44	376-0228	IC 74S00	L19	1									
43	376-0225	IC 74LS11	L16	1									
42	376-0211	IC 74LS32	L30,31,33,72,76	5									
41													
40	376-0208	IC 74LS02	L8,65	2									
39	376-0202	IC 74S74	L34	1									
38	376-0197	IC 74S04	L51	1									
37													
36	376-0180	IC 74LS04	L48,79	2									
35	376-0160	IC 74LS175	L23,24	2									
34	376-0155	IC 74LS74	L13,56,60,71,77	5									
33													
32	376-0153	IC 74LS08	L2,20,21,78	4									
31	376-0104	IC 9602	L9	1			84	615-2213	LABEL R.F. SHIELD		1		
30	376-0054	IC 7447	L14	1			83	652-0029	HEX NUT 8-32		2		
29							82						
28							81						
27	375-1050	TSTR SPS6551	Q1	1			80						
26							79						
25							78						
24	333-0806	RES. 2.2K 51P	R3,10-13	5			77	650-4120	SCREW #8-32 x 3/8"		2		
23							76						
22							75						
21							74	451-5140	SHIELD (RF)		1		
20							73						
19	330-5046	RES. 150K 1/4W 5% R1		1			72						
18							71	465-1250	EXTRACTOR		1		
17	330-4011	RES. 10K 1/4W 5% R9		1			70						
16	330-3048	RES. 4.7K 1/4W 5% R14,15		2			69						
15	330-3021	RES. 2K 1/4W 5% R8		1			68	SEE CHART	IC 280ACTC	L50	1		
14							67	SEE CHART	IC 280A CPU	L67	1		
13	330-3011	RES. 1K 1/4W 5% R2,4,5		3			66						
12	330-2034	RES. 330k 1/4W 5% R7		1			65						
11	330-1011	RES. 10K 1/4W 5% R6		1			64	376-9015	SKT 28PIN	L54	1		
10							63	376-9011	SKT 40PIN	L67	1		
9							62	376-0555	IC 74S05	L59	1		
8							61						
7	300-3033	CAP 100UF 25V(7)	C2,3	2			60	376-0486	IC 74LS125	L64	1		
6	300-1966	CAP .047UF 50V	C5-12,14-35,37-51	45			59	376-0316	IC 74LS279	L4,6,53,54	4		
5							58	376-0310	IC 74LS373	L81,82	2		
4	300-1833	CAP .1UF 50V	C1,4	2			57						
3	300-1100	CAP 100PF 500V	C13	1			56	376-0302	IC 74LS273	L13	1		
2	300-1033	CAP 33PF 500V	C36	1			55	376-0297	IC 74LS240	L36	1		
1							54	376-0294	IC 74LS138	L2,7,10-12,15,25,28,57,61-63,73,74	14		

WANG WANG LABORATORIES, INC. LOWELL, MA U.S.A.

BY: *OWN KMi* DATE: 4/77 APPROVED BY: E ENGR

CHE: M ENGR

MFG ENGR:

MATERIAL: MODEL NO PH2067A PBC

FINISH: SEE CHART

TITLE: FC LOCAL COMM. CPU BOARD

FOR 11 AS BOTTLED

SEE 2 FOR 2 FINISH

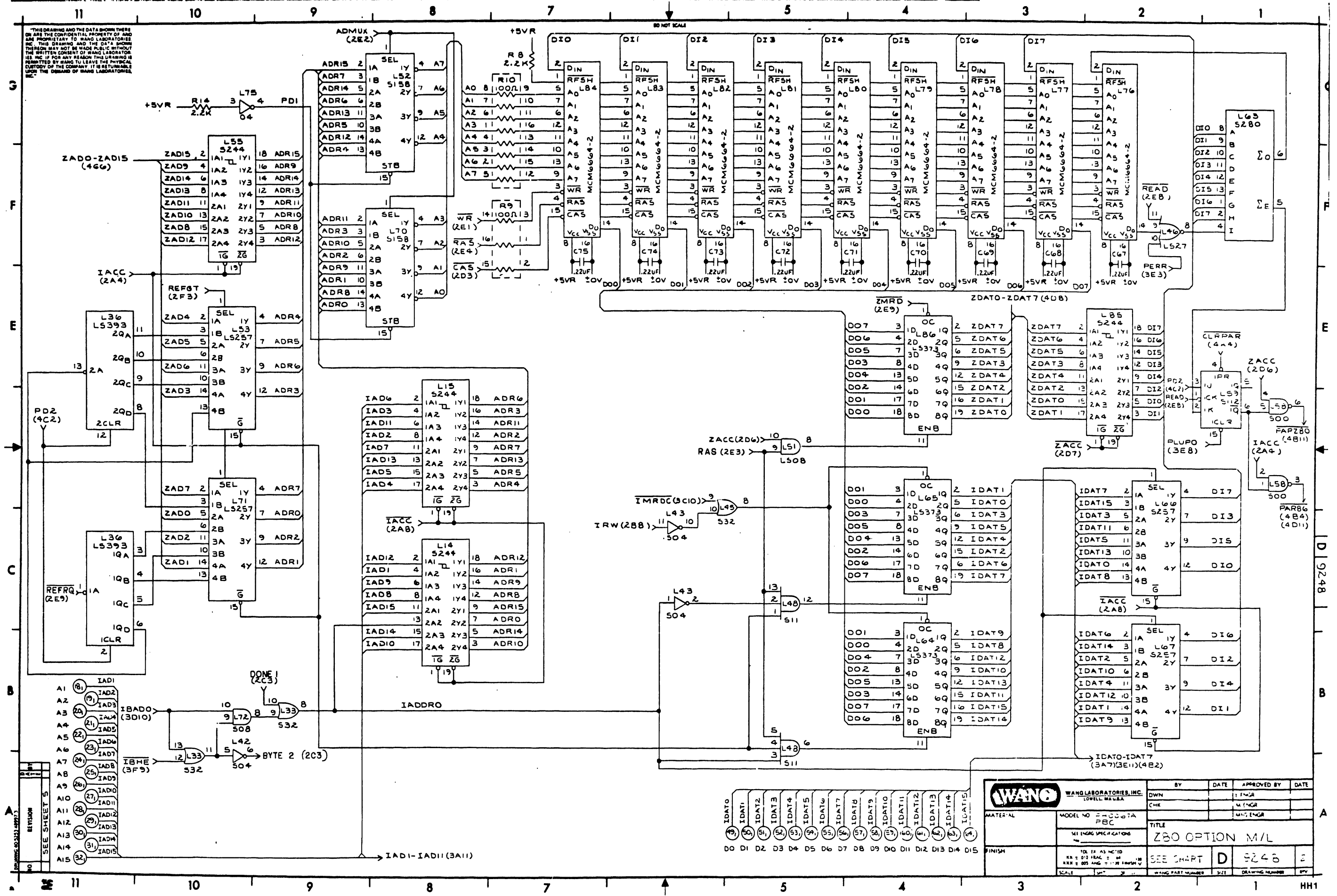
SCALE: 1st OF 2

SEE CHART D 3246 4

WANG PART NUMBER SIZE DRAWING NUMBER BIT

REVISION SEE MAT. 4

THIS DRAWING AND THE DATA SHOWN THERE ON ARE THE CONFIDENTIAL PROPERTY OF AND ARE PROPRIETARY TO WANG LABORATORIES, INC. THIS DRAWING AND THE DATA SHOWN THEREON MAY NOT BE MADE PUBLIC WITHOUT THE WRITTEN CONSENT OF WANG LABORATORIES, INC. IF FOR ANY REASON THIS DRAWING IS PERMITTED BY WANG TO LEAVE THE PHYSICAL CUSTODY OF THE COMPANY IT IS RETURNABLE UPON THE DEMAND OF WANG LABORATORIES, INC.

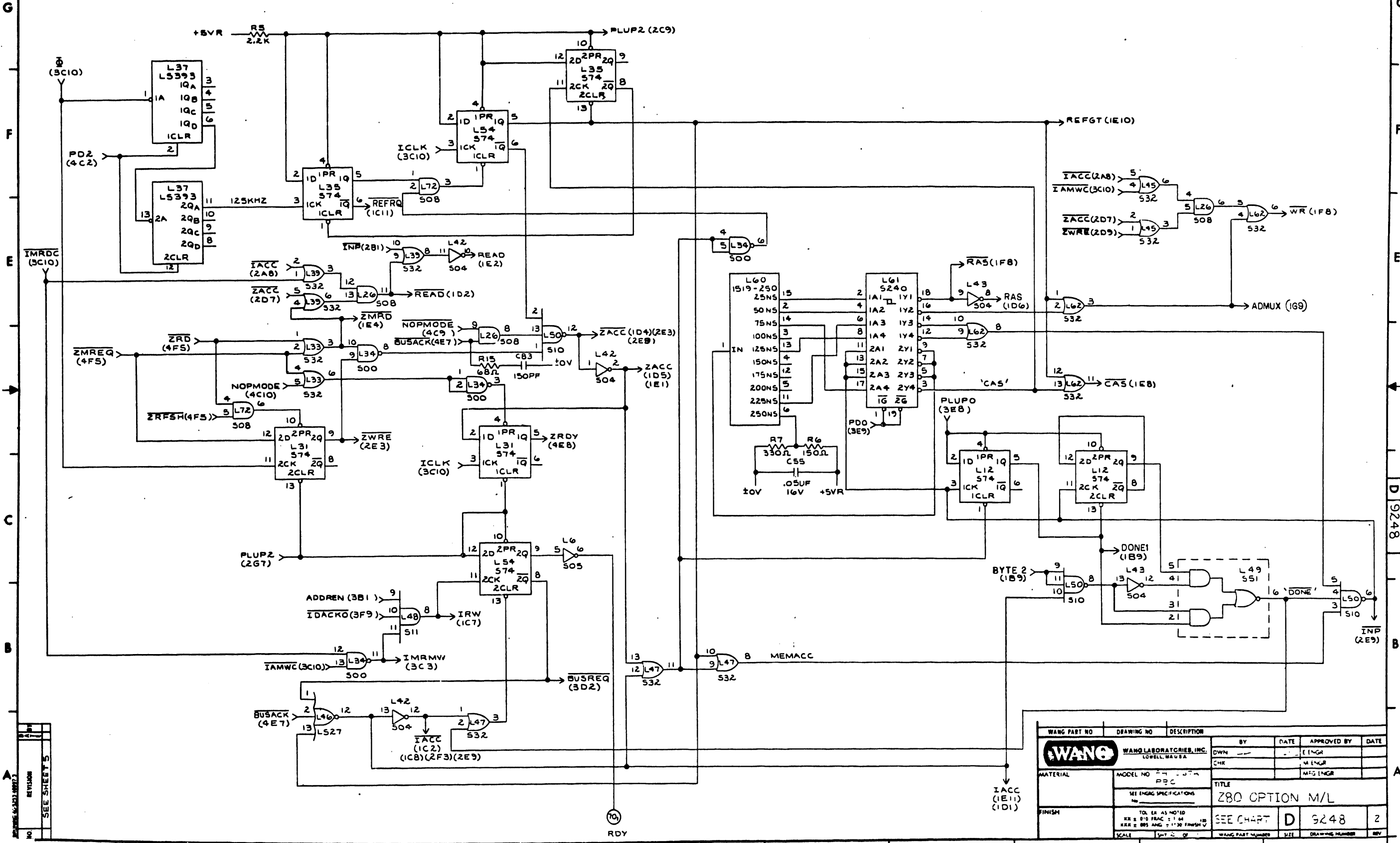


WANG WANG LABORATORIES, INC. LOWELL, MASSACHUSETTS		BY	DATE	APPROVED BY	DATE
MATERIAL	MODEL NO. 8-00007A PBC	DWN		ENG	
FINISH	SEE CHART	CHK		ENG	
TITLE Z80 OPTION M/L		DRAWING NUMBER D 9248			

REV	DESCRIPTION	DATE
1	ISSUE FOR FAB	11/18/77
2	ISSUE FOR FAB	12/15/77
3	ISSUE FOR FAB	1/12/78
4	ISSUE FOR FAB	2/9/78
5	ISSUE FOR FAB	3/7/78
6	ISSUE FOR FAB	4/4/78
7	ISSUE FOR FAB	5/2/78
8	ISSUE FOR FAB	6/1/78
9	ISSUE FOR FAB	7/1/78
10	ISSUE FOR FAB	8/1/78
11	ISSUE FOR FAB	9/1/78
12	ISSUE FOR FAB	10/1/78
13	ISSUE FOR FAB	11/1/78
14	ISSUE FOR FAB	12/1/78
15	ISSUE FOR FAB	1/1/79

THIS DRAWING AND THE DATA SHOWN THERE ON ARE THE CONFIDENTIAL PROPERTY OF AND ARE PROPRIETARY TO WANG LABORATORIES, INC. THIS DRAWING AND THE DATA SHOWN THEREON MAY NOT BE MADE PUBLIC WITHOUT THE WRITTEN CONSENT OF WANG LABORATORIES, INC. IF FOR ANY REASON THIS DRAWING IS PERMITTED BY WANG TO LEAVE THE PHYSICAL CUSTODY OF THE COMPANY, IT IS RETURNABLE UPON THE DEMAND OF WANG LABORATORIES, INC.

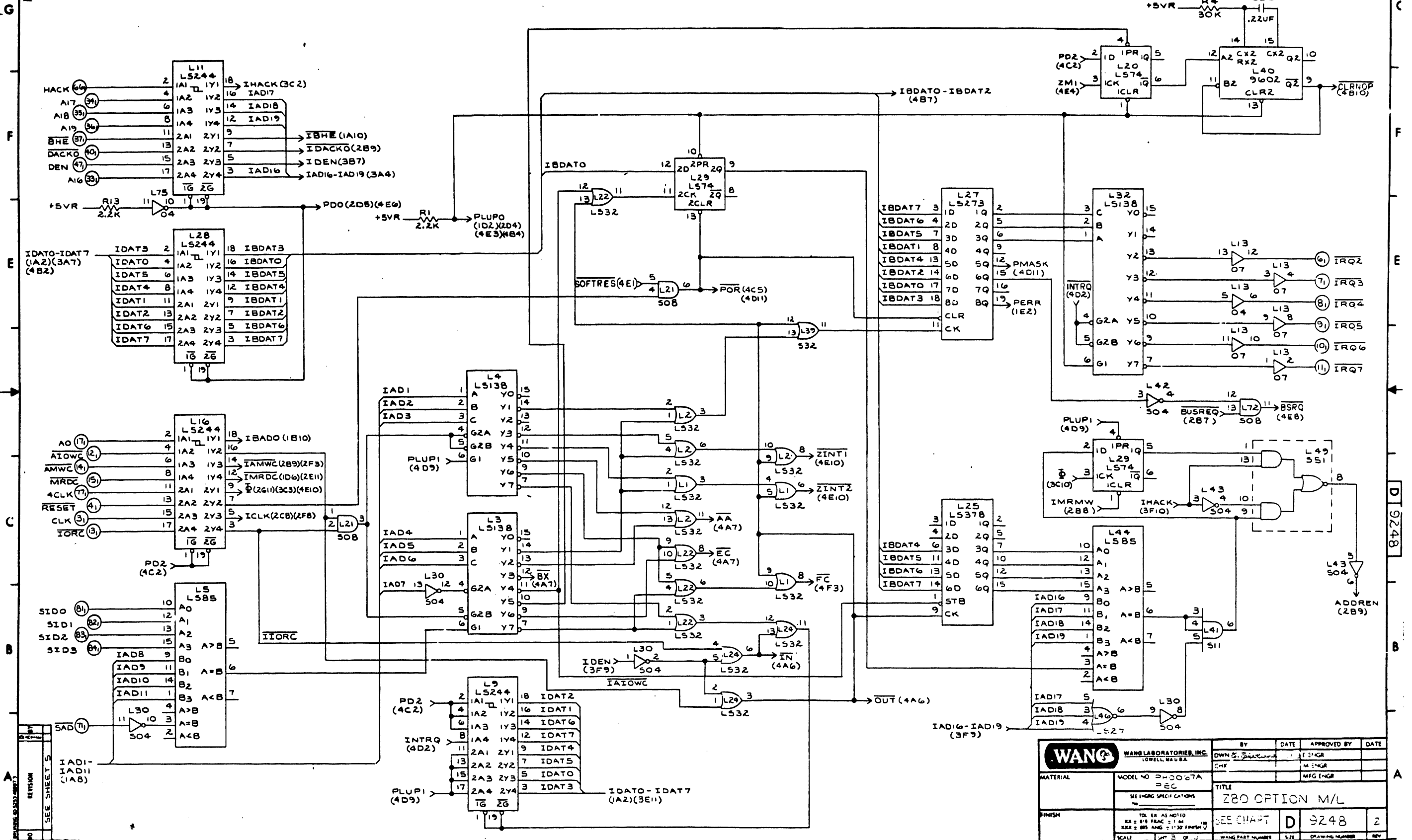
DO NOT SCALE



REV	DESCRIPTION
1	SEE SHEETS

WANG PART NO	DRAWING NO	DESCRIPTION	BY	DATE	APPROVED BY	DATE
WANG	WANG LABORATORIES, INC. LOWELL, MASSA		DWN		E ENGR	
	MODEL NO. PBC		CHK		M ENGR	
MATERIAL	SEE ENGR SPECIFICATIONS		TITLE Z80 OPTION M/L			
FINISH	TOL. EX. AS NOTED XX ± 0.10 FRAC ± 1.0 XXX ± 0.05 ANG ± 1.00 FINISH V		SCALE	SEE CHART	D	9248
SCALE			SHT 2 OF	WANG PART NUMBER	SIZE	DRAWING NUMBER

THIS DRAWING AND THE DATA SHOWN THERE
 ON ARE THE CONFIDENTIAL PROPERTY OF AND
 ARE PROPRIETARY TO WANG LABORATORIES,
 INC. THIS DRAWING AND THE DATA SHOWN
 THEREON MAY NOT BE MADE PUBLIC WITHOUT
 THE WRITTEN CONSENT OF WANG LABORATORIES,
 INC. IF FOR ANY REASON THIS DRAWING IS
 PERMITTED BY WANG TO LEAVE THE PHYSICAL
 CUSTODY OF THE COMPANY, IT IS RETURNABLE
 UPON THE DEMAND OF WANG LABORATORIES,
 INC.

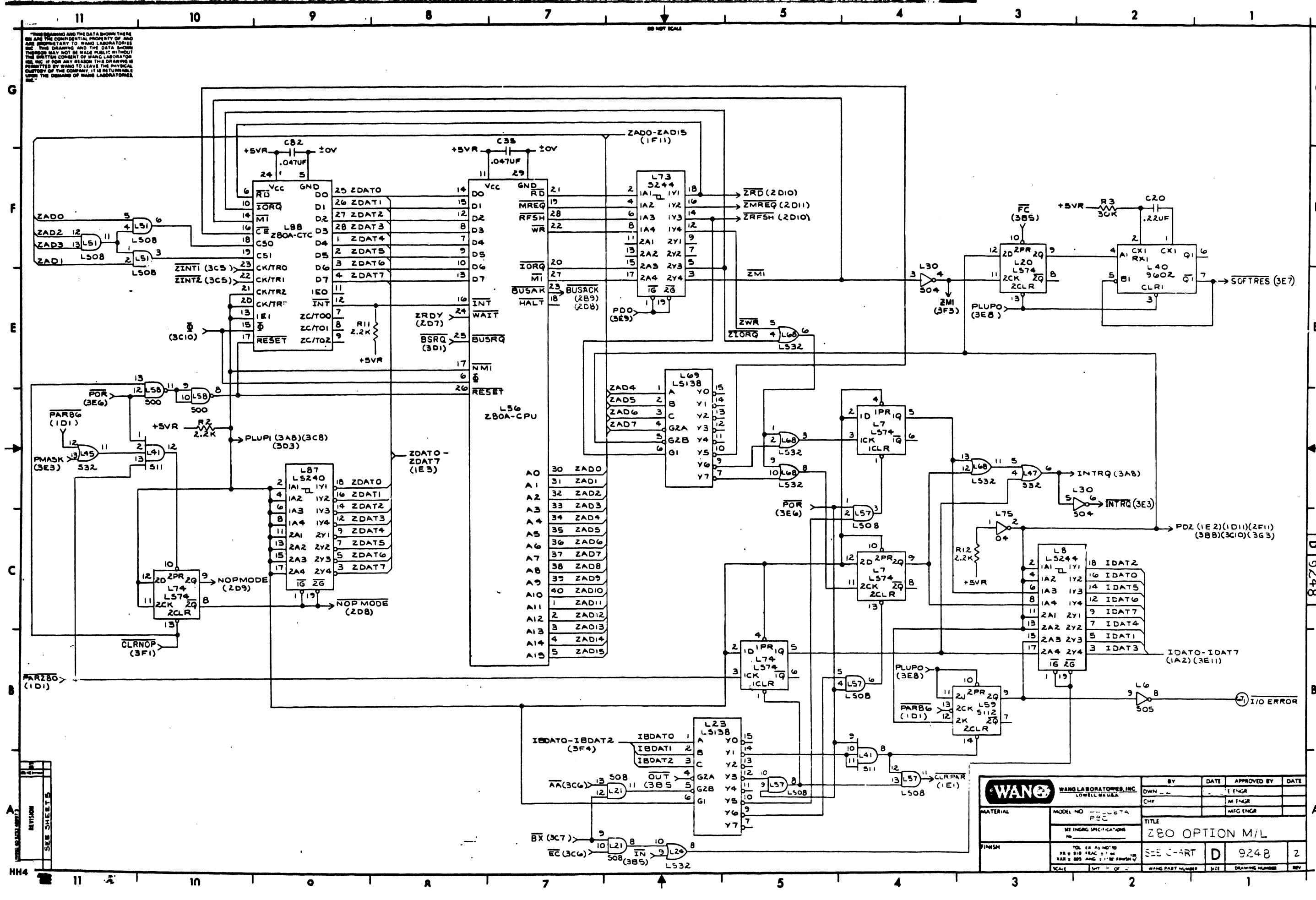


WANG WANG LABORATORIES, INC. LOWELL, MASS.		BY	DATE	APPROVED BY	DATE
MODEL NO. P-3007A DEC		OWN		E. SPGR	
SEE IN ENG SPECIFICATIONS		CHK		M. ENGR	
TITLE		MFG ENGR			
FINISH		SEE CHART			
SCALE		D 9248			
REV		2			

REVISION
 SEE SHEET 1
 11 10 9 8 7 6 5 4 3 2 1

D 9248
 HH3

"THIS DRAWING AND THE DATA SHOWN THERE ARE THE CONFIDENTIAL PROPERTY OF AND ARE PROPRIETARY TO WANG LABORATORIES, INC. THIS DRAWING AND THE DATA SHOWN THEREON MAY NOT BE MADE PUBLIC WITHOUT THE WRITTEN CONSENT OF WANG LABORATORIES, INC. IN ANY CASE, THIS DRAWING IS LOANED TO YOU BY WANG LABORATORIES, INC. FOR ANY REASON, THIS DRAWING IS TO REMAIN THE PROPERTY OF WANG LABORATORIES, INC. AND IS TO BE RETURNED TO WANG LABORATORIES, INC. UPON THE DEMAND OF WANG LABORATORIES, INC."



WANG WANG LABORATORIES, INC. LOWELL, MASS.		BY	DATE	APPROVED BY	DATE
MATERIAL		DWN		E ENGR	
MODEL NO. 00-0067A P/C		CHF		M ENGR	
SEE ENG'G SPECIFICATIONS				MFG ENGR	
TITLE		Z80 OPTION M/L			
FINISH		SEE CHART	D	9248	2
SCALE		WANG PART NUMBER			
SCALE		SIZE			
SCALE		DRAWING NUMBER			
SCALE		REV			

REVISION	SEE SHEETS
HH4	

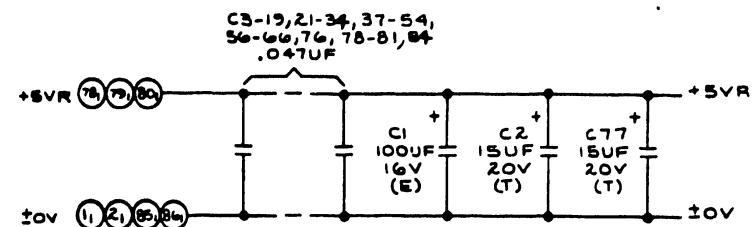
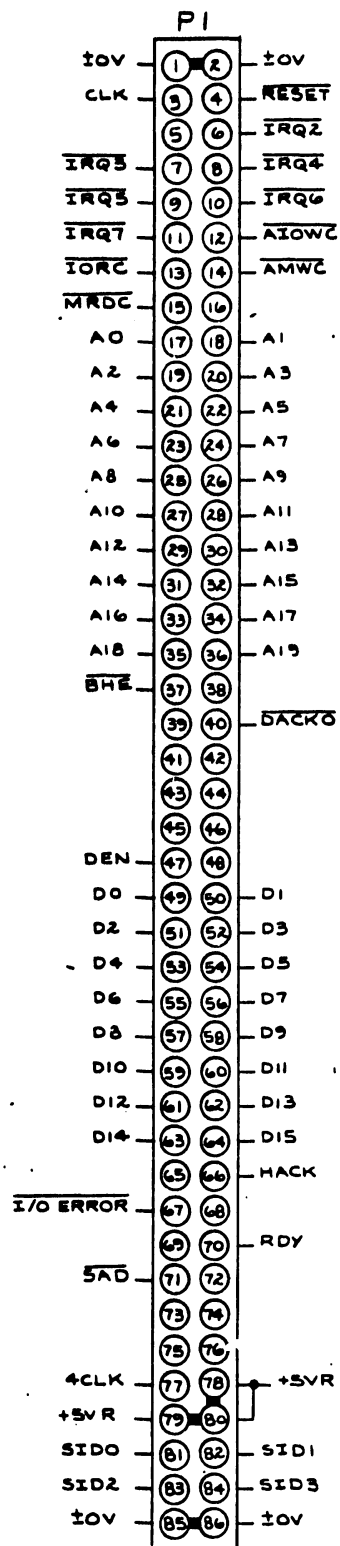
THIS DRAWING AND THE DATA THEREON ARE THE CONFIDENTIAL PROPERTY OF, AND ARE PROPRIETARY TO, WANG LABORATORIES, INC. THIS DRAWING AND THE DATA THEREON MAY NOT BE MADE PUBLIC WITHOUT THE WRITTEN CONSENT OF WANG LABORATORIES, INC. IF FOR ANY REASON THE DRAWING IS PERMITTED BY WANG TO LEAVE THE PHYSICAL CUSTODY OF THE COMPANY, IT IS RETURNABLE UPON THE DEMAND OF WANG LABORATORIES, INC.

MNEMONICS	COORD
AO	3D11
A1-A15	1A11
A16-A19	3F11
A10WC	3D11
AMWC	3C11
BHE	3F11
CLK	3C11
DACKO	3F11
DEN	3F11
DO-D15	1A5
HACK	3F11
I/O ERROR	4B1
IORC	3C11
IRQ2-IRQ7	3E1
MRDC	3C11
RDY	2A7
RESET	3C11
SAD	3A11
SID0-SID3	3B11
4CLK	3C11

TYPE	I.C. LOC.	SPARES
7404	L75	3
74504	L42	1
74505	L6	4
74LS32	L1	1
74508	L26	1

210=209+377 OR 378			
210	209	L56	L88
9248-A	9248	377-0368	377-0371

NO.	REVISION	DATE	BY	DESCRIPTION
0	ORIGINATED PER DWG # 2/22			
1	REVISED PER ELO # 3143	1-3-84	BSR	CM
2	REVISED PER ELO # 3179			



WANG PART NO		DRAWING NO		DESCRIPTION	
WANG		WANG LABORATORIES, INC.		LOWELL, MASSACHUSETTS	
MATERIAL		MODEL NO P-0007A		TITLE	
FINISH		SEE DRAWING SPECIFICATIONS		Z80 OPTION M/L	
SCALE		SEE CHART		D 9248 2	

D 9248

HH5

THIS DRAWING AND THE DATA SHOWN THEREON ARE THE CONFIDENTIAL PROPERTY OF WANG LABORATORIES, INC. THIS DRAWING AND THE DATA SHOWN THEREON MAY NOT BE MADE PUBLIC WITHOUT THE WRITTEN CONSENT OF WANG LABORATORIES, INC. IF FOR ANY REASON THIS DRAWING IS PRESENTED BY WANG TO LEAVE THE PHYSICAL CUSTODY OF THE COMPANY, IT IS RETURNABLE TO THE HEADQUARTERS OF WANG LABORATORIES, INC.

DO NOT SCALE

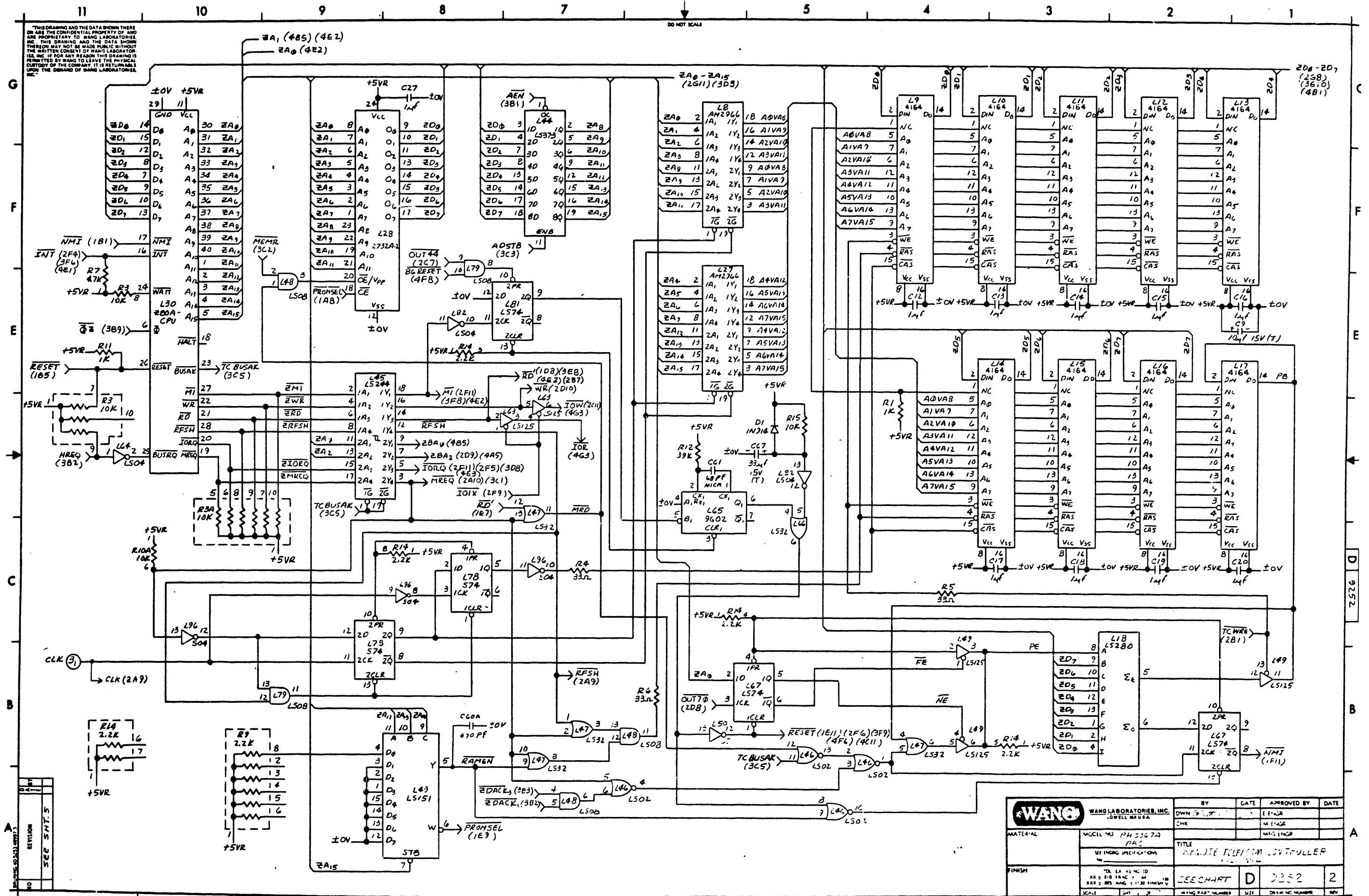
ITEM NO.	WANG PART NO.	DESCRIPTION	REFERENCE DESIGNATION(S)	QTY.	ITEM NO.	WANG PART NO.	DESCRIPTION	REFERENCE DESIGNATION(S)	QTY.	ITEM NO.	WANG PART NO.	DESCRIPTION	REFERENCE DESIGNATION(S)	QTY.	
52															
51															
50	376-0555	I.C., 74505	L6	1											
49	376-0509	I.C., 745112	L59	1											
48	376-0338	I.C., 745244	L14, 15, 55, 73, 85	5											
47	376-0334	I.C., 745240	L61	1											
46	376-0310	I.C., 74LS373	L64, 65, 86	3											
45	376-0309	I.C., 74LS378	L25	1											
44	376-0307	I.C., 74LS393	L36, 37	2											
43	376-0302	I.C., 74LS273	L27	1											
42	376-0301	I.C., 745158	L52, 70	2											
41	376-0297	I.C., 74LS240	L87	1											
40	376-0294	I.C., 74LS138	L3, 4, 23, 32, 69	5											
39	376-0288	I.C., 74LS244	L8, 9, 11, 16, 25	5											
38	376-0246	I.C., 745280	L63	1											
37	376-0245	I.C., 74LS27	L46	1											
36	376-0238	I.C., 74510	L50	1											
35	SEE CHART	Z80A CTC	L88	1											
34	SEE CHART	Z80A CPU	L56	1											
33	376-0237	I.C., 74511	L41, 48	2											
32	376-0228	I.C., 74500	L34, 58	2											
31	376-0218	I.C., 74LS85	L5, 44	2											
30	376-0211	I.C., 74LS32	L1, 2, 22, 24, 68	5											
29	376-0205	I.C., 74532	L33, 39, 45, 47, 62	5											
28	376-0204	I.C., 74LS257A	L53, 71	2											
27	376-0202	I.C., 74574	L12, 31, 35, 54	4											
26	376-0200	I.C., 74508	L21, 26, 72	3											
25	376-0197	I.C., 74504	L30, 42, 43	3											
24	376-0184	I.C., 74551	L47	1											
23	376-0155	I.C., 74LS74	L7, 20, 29, 74	4											
22	376-0153	I.C., 74LS08	L51, 57	2											
21	376-0131	I.C., 745257	L66, 67	2											
20	376-0104	I.C., 9602	L40	1											
19	376-0056	I.C., 7407	L13	1											
18	376-0010	I.C., 7404	L75	1											
17					70	652-0029	LOCK NUT, B-32		2						
16	333-0851	RES., 100Ω, 51P	R9, 10	2	69										
15					68	615-2335	LBL., RF SHIELD (9248)		1						
14					67										
13	330-4031	RES., 30K, 1/4W, 5%	R3, 4	2	66	650-4120	NUT, B-32X.375		2						
12	330-3023	RES., 2.2K, 1/4W, 5%	R1, 2, 5, 8, 11-14	8	65										
11	330-2034	RES., 330Ω, 1/4W, 5%	R7	1	64	510-9248	PCB.		1						
10	330-2016	RES., 150Ω, 1/4W, 5%	R6	1	63	465-1250	EJECTOR		1						
9	330-1069	RES., 68Ω, 1/4W, 5%	R15	1	62	451-5140	RF SHLD. BRACKET		1						
8					61										
7					60										
6	300-4022	CAP., 50F, 20V (T)	C2, 77	2	59										
5	300-3011	CAP., 100UF, 16V	C1	1	58	377-0415	I.C., 4164	L76-84	9						
4	300-1966	CAP., 0.047UF, 50V	C3-19, 21-35, 37-54, 56-66, 76, 78-82, 84	68	57										
3	300-1938	CAP., 0.05UF, 16V	C55	1	56										
2	300-1926	CAP., 22UF, 100V	C20, 36, 67-75	11	55	376-9015	SKT., 28 PIN	L88	1						
1	300-1150	CAP., 50PF, 500V	C83	1	54	376-9011	SKT., 40 PIN	L56	1						
					53	376-8001	I.C., DEL. LINE, 25UNG	L60	1						

D 9248

WANG		WANG LABORATORIES, INC. LOWELL, MA U.S.A.		BY	DATE	APPROVED BY	DATE
MATERIAL	MODEL NO. F-1000-1 FEC	DRW. NO.	CHK.	E ENGR			
FINISH	SEE ENGR SPECIFICATIONS	TITLE		M ENGR			
		Z80 OPTION M/L		MFG ENGR			
	TOL IT AS NOTED	SEE CHART	D	9248	2		
	SCALE 1/8" = 1"	WANG PART NUMBER	SIZE	DRAWING NUMBER	REV		

HH6

THIS DRAWING AND THE DATA SHOWN THEREIN ARE THE CONFIDENTIAL PROPERTY OF WANG AND PROPRIETARY TO WANG LABORATORIES, INC. THIS DRAWING AND THE DATA SHOWN HEREON MAY NOT BE MADE PUBLIC WITHOUT THE WRITTEN CONSENT OF WANG LABORATORIES, INC. IF FOR ANY REASON THIS DRAWING IS PERMITTED BY WANG TO LEAVE THE PHYSICAL CUSTODY OF THE COMPANY, IT IS RETURNABLE UPON THE DEMAND OF WANG LABORATORIES, INC.

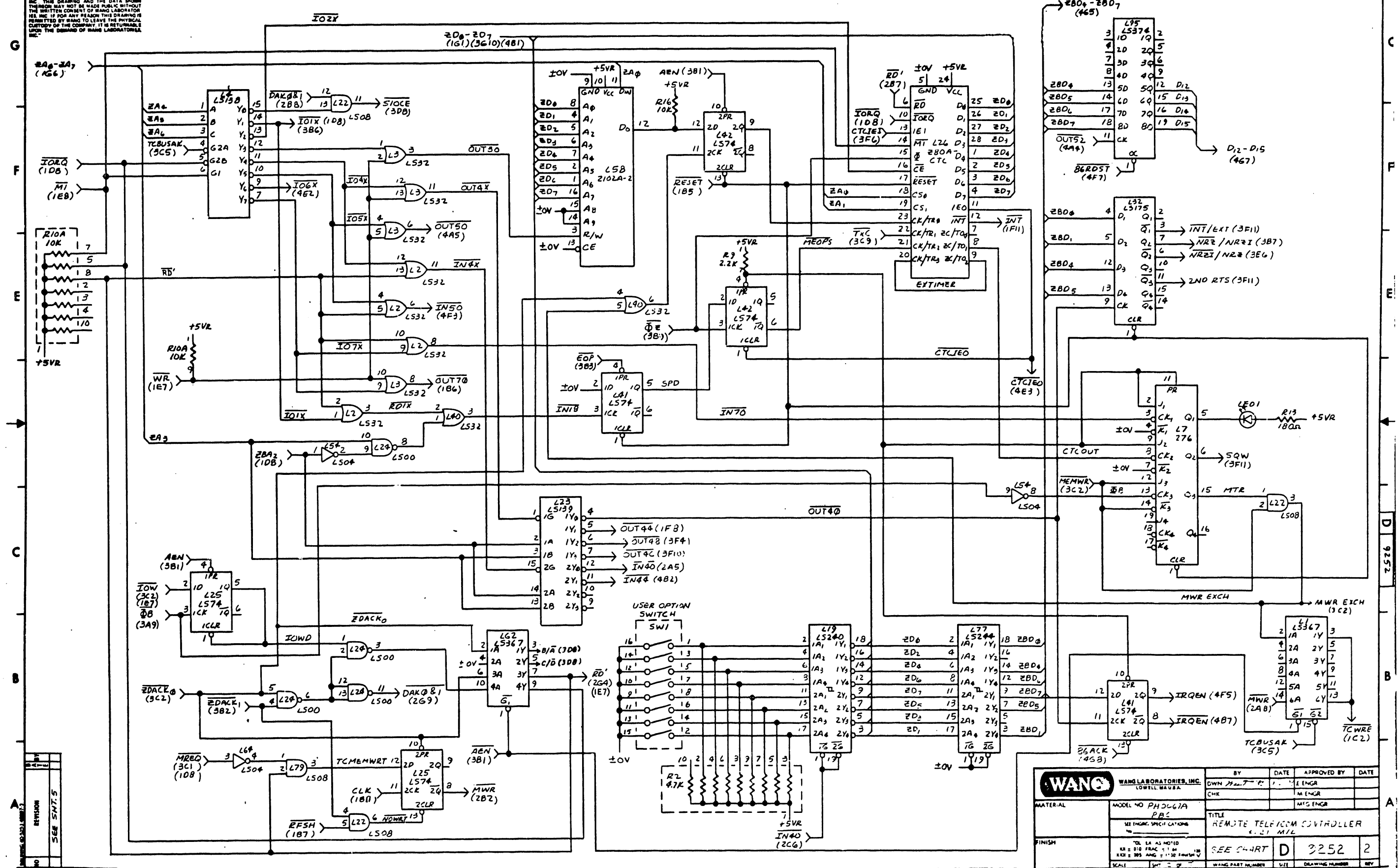


REV	DATE	BY	APPROVED BY
1			
2			

WANG WANG LABORATORIES, INC. LOWELL, MASSACHUSETTS		BY	DATE	APPROVED BY	DATE
MODEL NO. PH 330 7A PAC		CHK		ENG	
MATERIAL		TITLE			
FINISH		SCALE			
SEE SMT-5		REPLICATE TELECOM CONTROLLER			
SEE SMT-5		D 2252 2			

THIS DRAWING AND THE DATA SHOWN THEREON ARE THE CONFIDENTIAL PROPERTY OF WANG LABORATORIES, INC. AND ARE NOT TO BE REPRODUCED OR TRANSMITTED IN ANY FORM OR BY ANY MEANS, ELECTRONIC OR MECHANICAL, INCLUDING PHOTOCOPYING, RECORDING, OR BY ANY INFORMATION STORAGE AND RETRIEVAL SYSTEM, WITHOUT THE WRITTEN CONSENT OF WANG LABORATORIES, INC. IF FOR ANY REASON THIS DRAWING IS PERMITTED BY WANG TO LEAVE THE PHYSICAL CUSTODY OF THE COMPANY, IT IS RETURNABLE UPON THE DEMAND OF WANG LABORATORIES, INC.

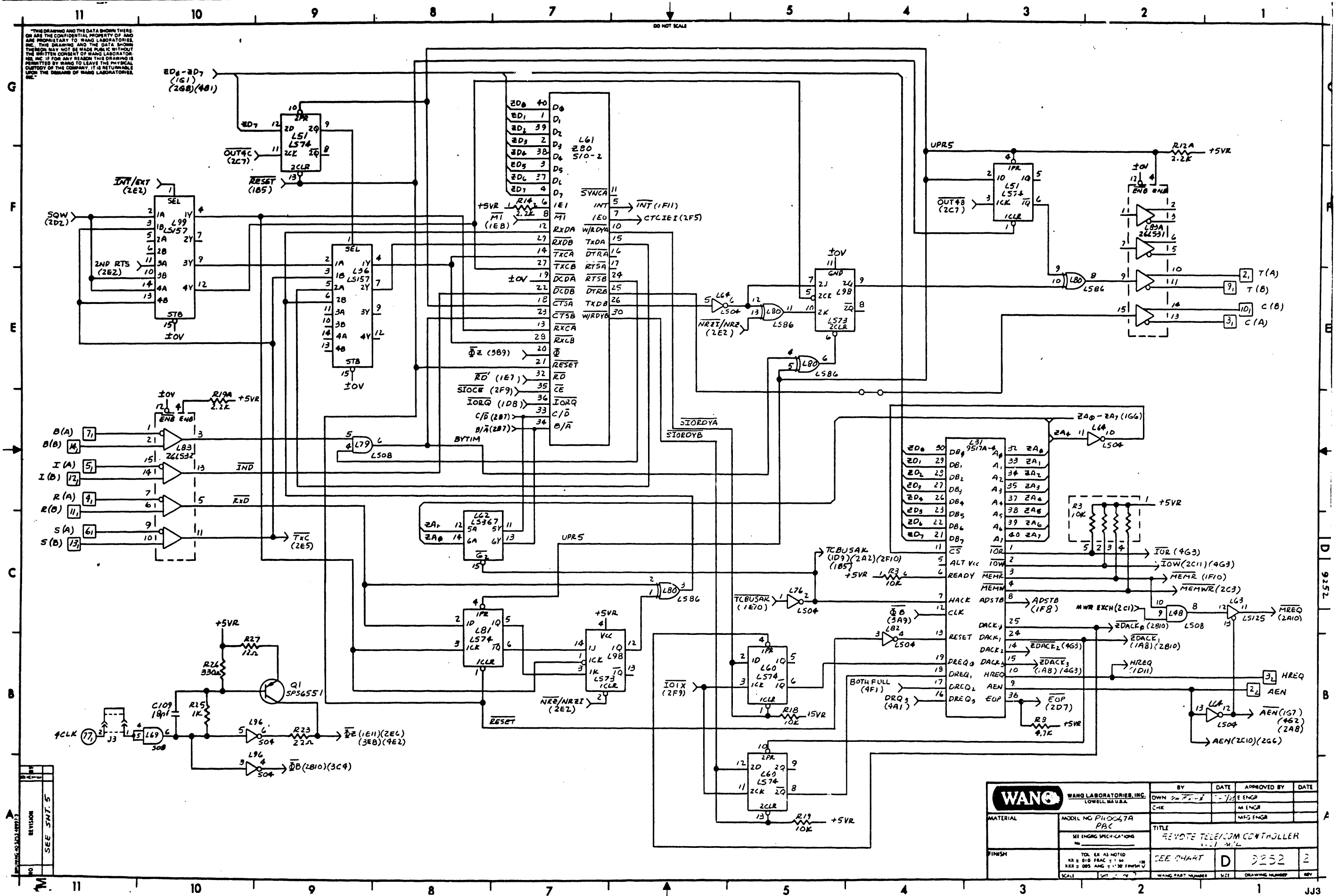
DO NOT SCALE



WANG LABORATORIES, INC.		BY	DATE	APPROVED BY	DATE
LOWELL BRUNER		DWN	7-7-72	E ENGR	
		CHK		M ENGR	
				MIS ENGR	
MATERIAL		TITLE			
MODEL NO PH3061A		REMOTE TELECOMM CONTROLLER			
SEE INSTR. SPECIFICATIONS		REV. 2.1 M/L			
FINISH		SCALE		REV	
TOL. EX. AS NOTED		SEE CHART		D 3252 2	
MR ± 0.10 FRAC ± 1.0		WANG PART NUMBER		SHEET NUMBER	
RZR ± 0.05 ANG ± 1.30 FINISH		SHEET NUMBER		DRAWING NUMBER	
SCALE		SHEET NUMBER		REV	

REVISION
SEE SMT'S

THIS DRAWING AND THE DATA SHOWN THEREON ARE THE CONFIDENTIAL PROPERTY OF AND ARE PROPRIETARY TO WANG LABORATORIES, INC. THE DRAWING AND THE DATA SHOWN THEREON MAY NOT BE MADE PUBLIC WITHOUT THE WRITTEN CONSENT OF WANG LABORATORIES, INC. IF FOR ANY REASON THIS DRAWING IS PERMITTED BY WANG TO LEAVE THE PHYSICAL CUSTODY OF THE COMPANY, IT IS RETURNABLE UPON THE DEMAND OF WANG LABORATORIES, INC.



WANG WANG LABORATORIES, INC. LOWELL, MASS.		BY	DATE	APPROVED BY	DATE
MATERIAL	MODEL NO PH0067A PBC	OWN	7-1-73	ENGR	
FINISH	SEE ENG SPECIFICATIONS	CHK		MR ENGR	
		TITLE		REMOTE TELECOMM CONTROLLER	
		SEE CHART		D	9252
		SCALE		1:1	2
		WANG PART NUMBER		SIZ	DRAWING NUMBER

REVISION
NO. 1
DATE 7-1-73
BY J.S.
SEE SHT. 5

9252

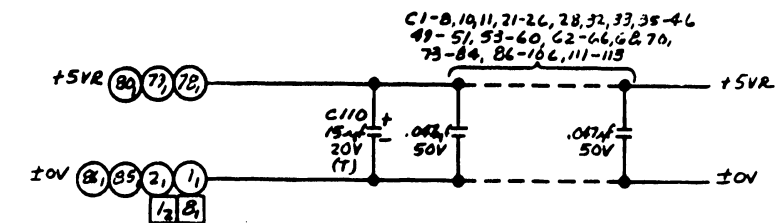
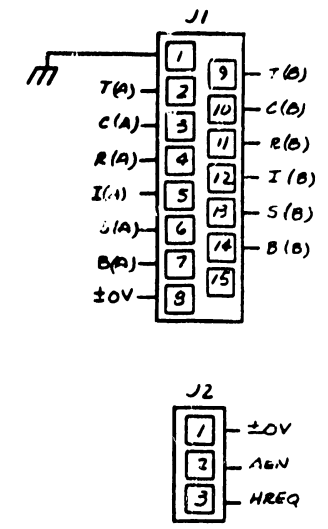
JJ3

THIS DRAWING AND THE DATA SHOWN THEREON ARE THE CONFIDENTIAL PROPERTY OF WANG LABORATORIES, INC. THE DRAWING AND THE DATA SHOWN THEREON MAY NOT BE MADE PUBLIC WITHOUT THE WRITTEN CONSENT OF WANG LABORATORIES, INC. IF FOR ANY REASON THIS DRAWING IS PERMITTED BY WANG TO LEAVE THE PHYSICAL POSSESSION OF THE COMPANY, IT IS HEREBY RELEASED FROM THE OBLIGATION OF WANG LABORATORIES, INC.

210 = 209 + 377 OR 378							
210	209	L26, 57	L28	L30	L31	L58	L61
9292A	9292	377-0371	377-0452	377-0368	377-0411	377-0363	377-0393

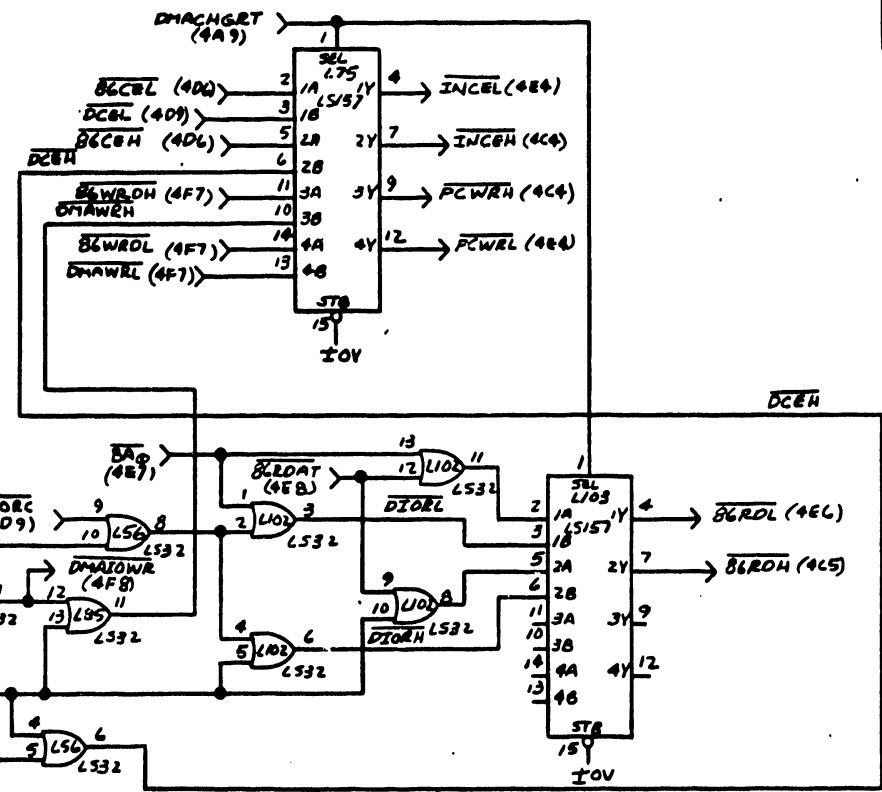
TYPE	LOCATION	SPARES
74LS04	L54	3
	L64	1
	L70	1
	L76	4
	L82	3
74504	L94	1
7405	L50	5
74LS08	L94	1
74LS10	L104	2
	L40	1
74LS32	L66	2
	L68	1
9602	L65	1
	L63	1
	L86	2
26LS31	L83A	2

MNEMONIC	COORD.
A ₈	4D11
A ₁ -A ₃	4G11
A ₈ -A ₁₁	4F11
A&N	3B1
A10WC	4D11
B(A), B(B)	3D11
BHE	4D11
C(A), C(B)	3E1
CLK	1B11
D ₆ -D ₇	4D1
D ₈ -D ₁₅	4G7
DACK ₁ -DACK ₂	4B11
DREQ ₁ -DREQ ₂	4A5
HACK	4F11
HREQ	3B1
I(A), I(B)	3D11
IORC	4D11
IRQ ₁ -IRQ ₂	4A7
R(A), R(B)	3D11
S(A), S(B)	3C11
SAB	4F11
SID ₈ -SID ₃	4F11
T(A), T(B)	3E1
4CLK	3B11



NOTE:
1. ALL RESISTORS UNLESS OTHERWISE SPECIFIED ARE 1/4W 5%.

E-REV
1



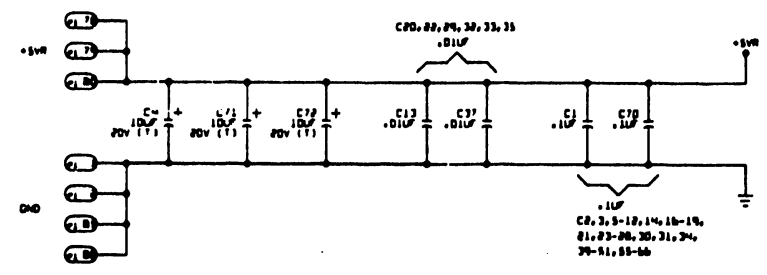
REV	BY	DATE	DESCRIPTION
1	GHV	7-26-53	INITIAL DESIGN
2	GHV	8-11-53	REVISED FOR APP. 101
3	GHV	8-11-53	REVISED FOR APP. 101
4	GHV	8-11-53	REVISED FOR APP. 101
5	GHV	8-11-53	REVISED FOR APP. 101
6	GHV	8-11-53	REVISED FOR APP. 101
7	GHV	8-11-53	REVISED FOR APP. 101
8	GHV	8-11-53	REVISED FOR APP. 101
9	GHV	8-11-53	REVISED FOR APP. 101
10	GHV	8-11-53	REVISED FOR APP. 101
11	GHV	8-11-53	REVISED FOR APP. 101
12	GHV	8-11-53	REVISED FOR APP. 101
13	GHV	8-11-53	REVISED FOR APP. 101
14	GHV	8-11-53	REVISED FOR APP. 101
15	GHV	8-11-53	REVISED FOR APP. 101

WANG WANG LABORATORIES, INC. LOWELL, MASS.		BY	DATE	APPROVED BY	DATE
MATERIAL		DWN		E ENGR	
MODEL NO. F41067A PBC		C-K		M ENGR	
SEE DRAWING SPECIFICATIONS				MFG ENGR	
TITLE		REMOTE TELE/COM CONTROLLER			
SCALE		X.1: M/L			
TOL. EX. AS NOTED		SEE CHART	D	9292	2
X.1 & 0.10 FRAC. 2.1 MM					
X.1 & 0.10 ANG. 2.1° MIN.					
SCALE 1/8" = 1"					

14 13 12 11 10 9 8 7 6 5 4 3 2 1

NOTE: THIS DRAWING IS THE PROPERTY OF WANG ELECTRONIC CORP. IT IS TO BE KEPT IN CONFIDENCE AND NOT TO BE REPRODUCED OR TRANSMITTED IN ANY FORM OR BY ANY MEANS, ELECTRONIC OR MECHANICAL, INCLUDING PHOTOCOPYING, RECORDING, OR BY ANY INFORMATION STORAGE AND RETRIEVAL SYSTEM, WITHOUT THE WRITTEN PERMISSION OF WANG ELECTRONIC CORP.

NOTES
 1. ALL RESISTOR VALUES IN OHMS.
 2. ALL CAPACITOR VALUES IN MICROFARADS UNLESS OTHERWISE INDICATED.
 3. ALL RESISTORS 1/4W 5% UNLESS OTHERWISE INDICATED.



PHONIC	COORD.
STDR	3A14
A1-A2	3A14
A3-A11	3A14
DR-D7	3A14
DR-D15	3A
FACE	3A14
TR	3A14
TR2 - TR7	3A
SECRET	3A14
SD	3A14
STDR - STDR	3A14

210 - 209 + 377 OR 378				
210	209	110-13	L41	L43
210	209	209, BY OCP1, 120	377-2472	377-5376

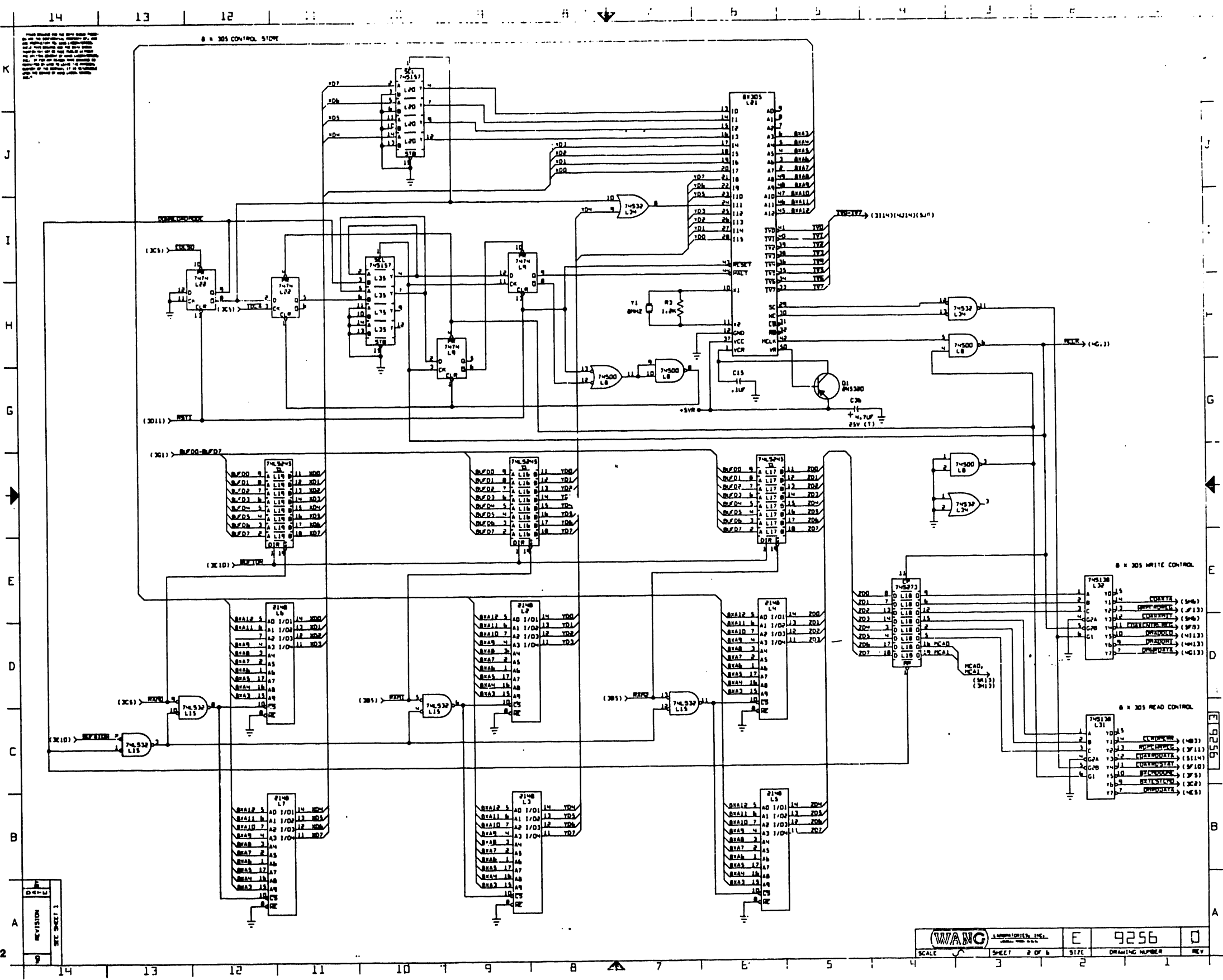
REV	DATE	BY	CHKD
1	10-17-68	WJ	WJ

E REV
 N

WANG ELECTRONIC CORP.		SCHEMATIC DIAGRAM	
TITLE: 3270 TYPE 10		CONT. M/L	
DESIGNER: PBC	WANG PART NUMBER: HD6742	DATE: PGO	CHK: []
SCALE: []	SHEET: 1 OF 5	SIZE: E	DRAWING NUMBER: 9256
		REV: 0	REV: []

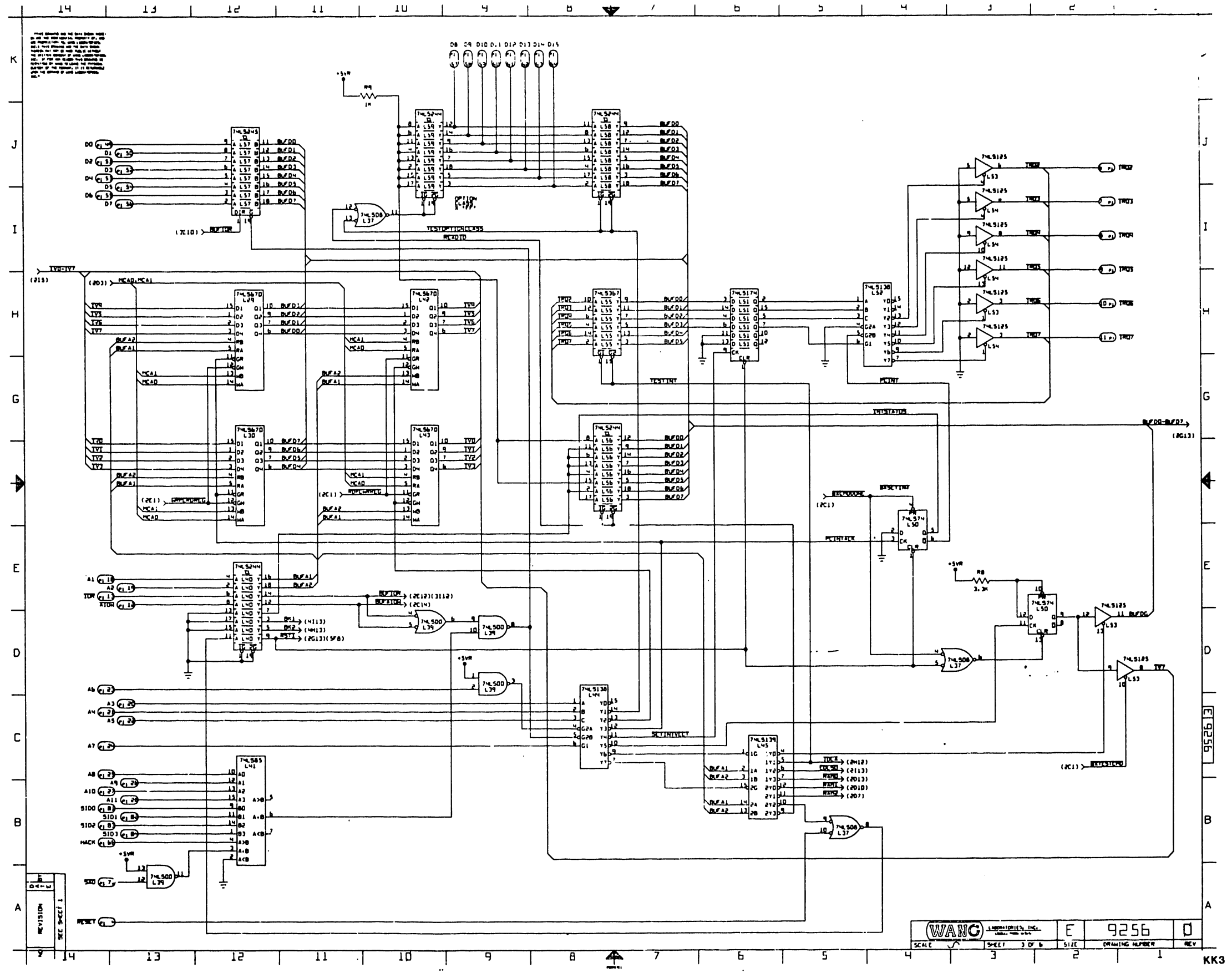
KK1

14 13 12 11 10 9 8 7 6 5 4 3 2 1



8080 CONTROL LOGIC

REVISION	REV SHEET 1
1	



These components are not shown here:
 - All test points are shown in this drawing.
 - All components are shown in this drawing.
 - All connections are shown in this drawing.
 - All components are shown in this drawing.
 - All connections are shown in this drawing.

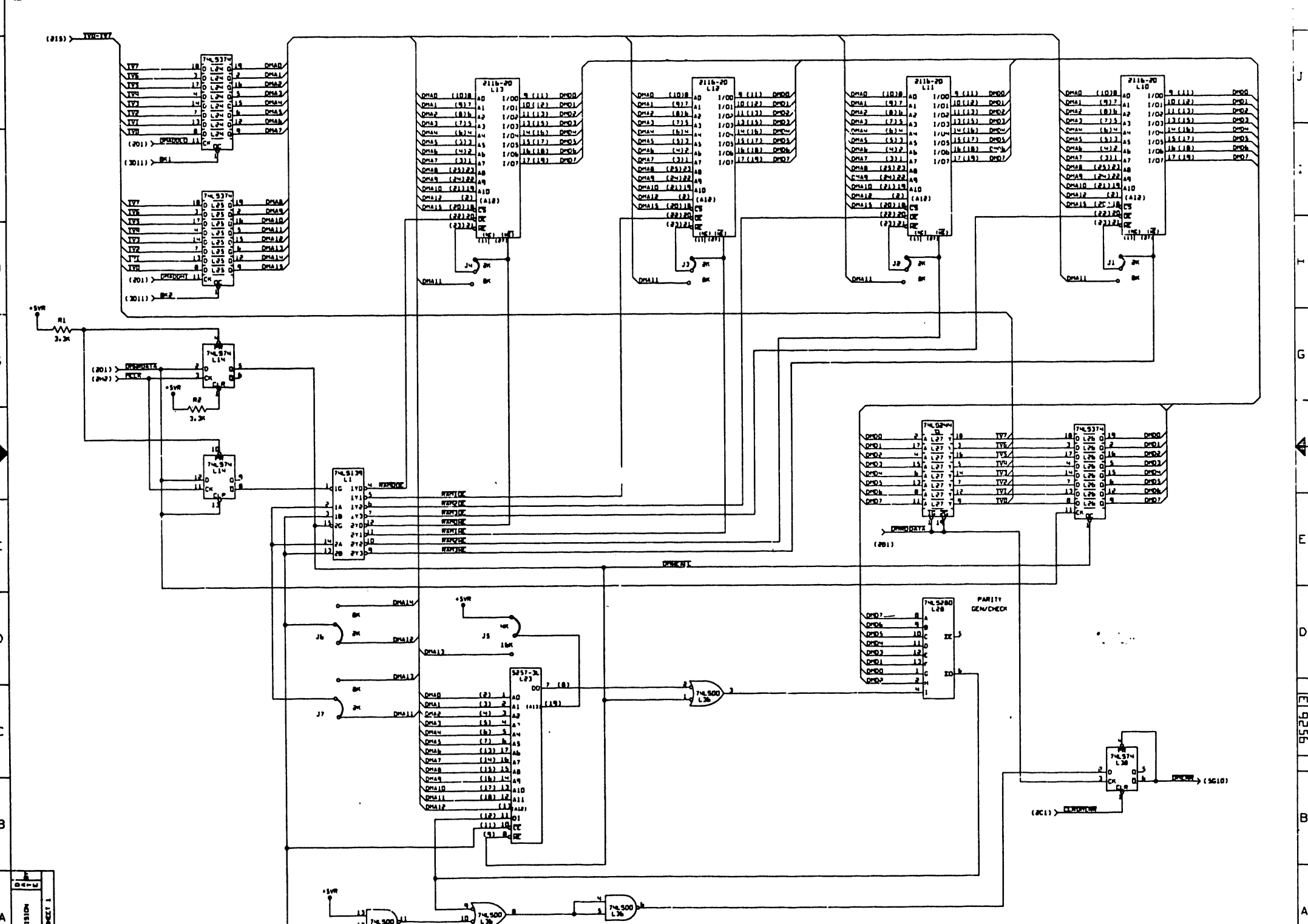
REV	DESCRIPTION
1	ISSUED

(WANG) LABORATORIES, INC.		E	9256	0
SCALE	SHEET 3 OF 6	SIZE	DRAWING NUMBER	REV

KK3

14 13 12 11 10 9 8 7 6 5 4 3 2

NOTE: NUMBERS IN () REPRESENT SOCKET LOCATIONS (I.E. L10, L11, L12, L13, L23)



REV	DATE	BY	CHKD
1			

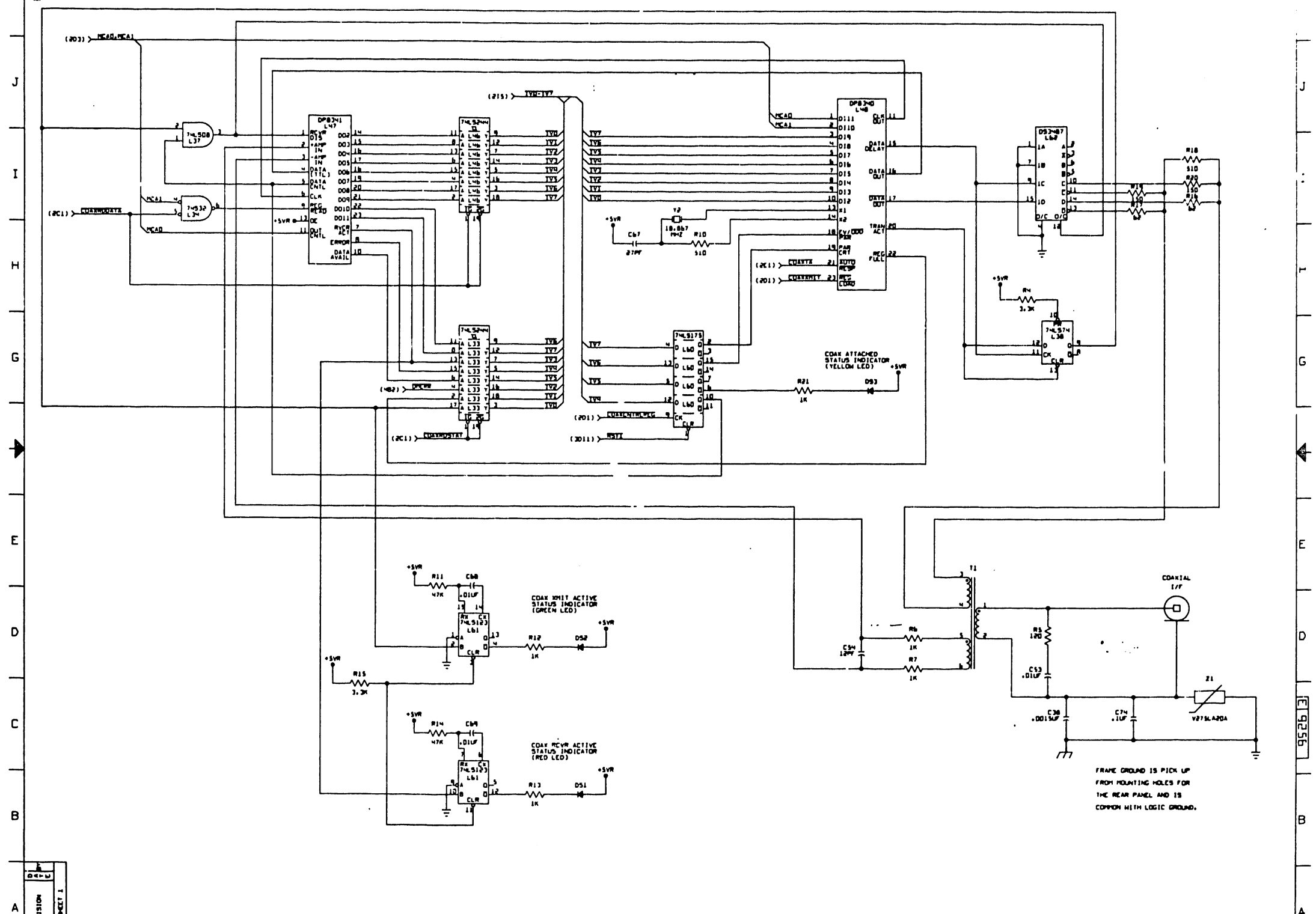
REVISION SHEET 1

KK4

14 13 12 11 10 9 8 7 6 5 4 3 2 1

14 13 12 11 10 9 8 7 6 5 4 3 2 1

K
 THIS DRAWING IS THE PROPERTY OF WANG
 LABORATORIES, INC. IT IS TO BE KEPT
 IN CONFIDENTIALITY AND NOT TO BE
 REPRODUCED OR TRANSMITTED IN ANY
 FORM OR BY ANY MEANS, ELECTRONIC
 OR MECHANICAL, INCLUDING PHOTOCOPYING,
 RECORDING, OR BY ANY INFORMATION
 STORAGE AND RETRIEVAL SYSTEM, WITHOUT
 THE WRITTEN PERMISSION OF WANG
 LABORATORIES, INC.



REV	DESCRIPTION
1	REVISED

14 13 12 11 10 9 8 7 6 5 4 3 2 1

17"

11"

8.5"

17"

11"

8.5"


WANG LABORATORIES, INC.
 >>>> ELECTRICAL PARTS LIST <<<<< SHEET 6 OF 6 PAGE 1

(FINAL BILL-OF-MATERIALS)
 BOARD NO. & TITLE: C9256 3270 TYPE 10 CONTROLLER P/L
 ASSEMBLY: 310
 ARYLONIC REVISION (R): 00
 ASSEMBLY REVISION (A): 00
 SCHEMATIC REVISION (S): 00
 DWR OR MOST RECENT ECD: E2332
 CREATED: 03/09/04 15:03
 LAST MODIFIED: 03/09/04 15:10 BY: LAB
 EDITING REVISION: 2

REF. DES.	WANG PART NO.	VALUE/TYP	DESCRIPTION	DRAWING NO.	QTY.
01	810-9256-		PCB		1

*** END-OF-REPORT ***

M

 WANG LABORATORIES, INC. LOWELL, MA U.S.A.		BY	DATE	APPROVED BY	DATE
		DWN		E ENGR	
MATERIAL MODEL NO. SEE ENGR SPECIFICATIONS		CHK		M ENGR	
				MFG ENGR	
FINISH TOL ER AS NOTED XR ± 0.10 TRAC ± 1/64 RXX ± 0.05 ANG ± 1°30' FINISH		TITLE			
		3270 TYPE 10 CONTROLLER			
SCALE		SEE CHART	D	9256	0
WGT 6 OF 6		WANG PART NUMBER	SIZE	DRAWING NUMBER	REV

8.5"

11"

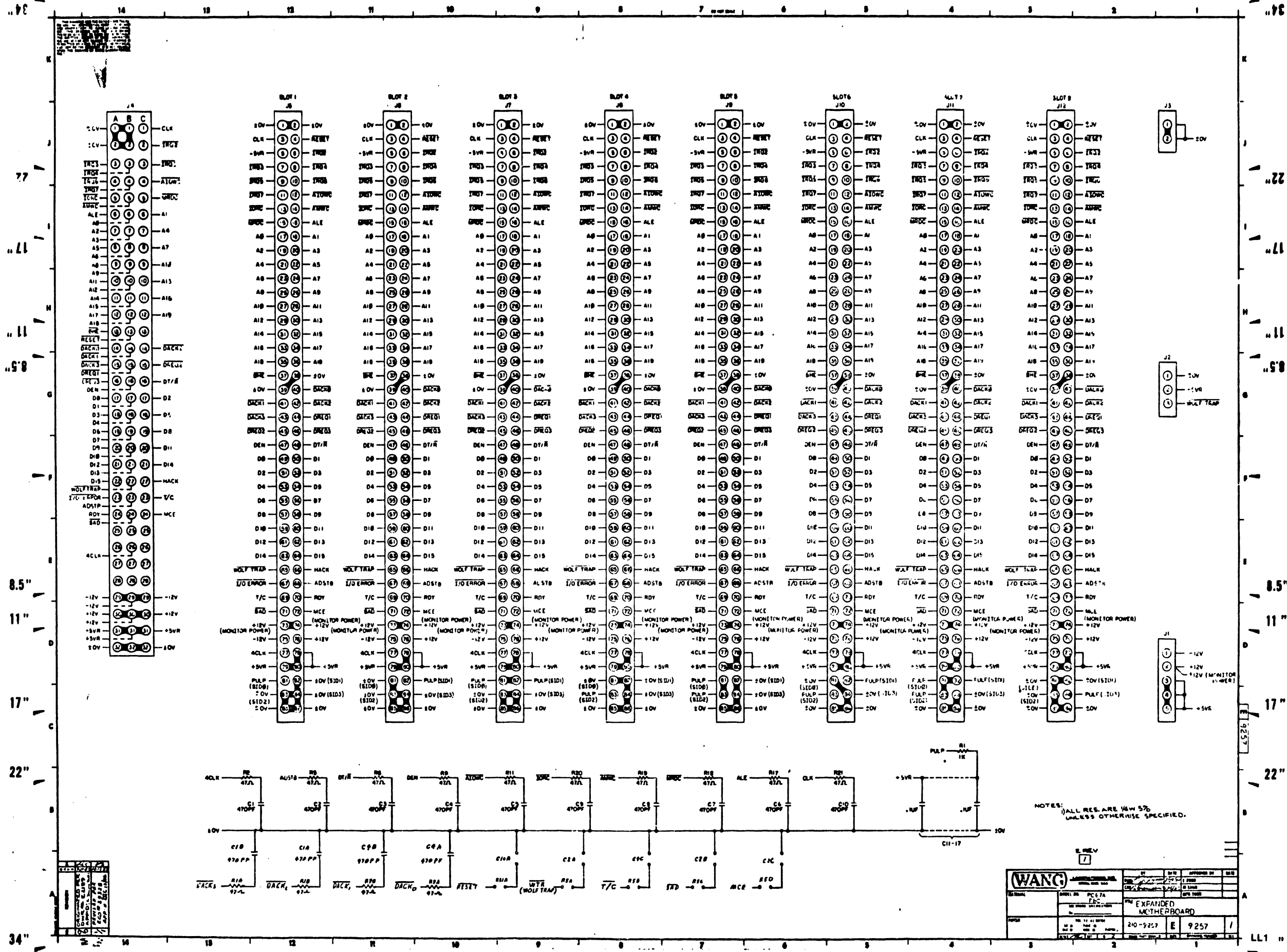
17"

8.5"

11"

17"

KK8



NOTES: ALL RES. ARE 1/8W 5% UNLESS OTHERWISE SPECIFIED.

(WANG)		REV	DATE	APPROVED BY	DRN
MODEL NO.	PC-7A	1	1/80		
REV		1	8/80		
PC-7A EXPANDED MOTHERBOARD		210-9257	E	9257	1

REVISIONS	DATE	BY	DESCRIPTION
1			INITIAL DESIGN
2			REVISED FOR MANUFACTURE

77 11 10 9 8 7 5 4 3 2 1 22"

This drawing and the data herein thereon are the property of Wang Laboratories, Inc. and are loaned to you for your information only. They are not to be used for any other purpose without the written consent of Wang Laboratories, Inc. If you are not the owner of the rights in this drawing, it is the responsibility of the owner to obtain the necessary permission from the owner of the rights in this drawing.

ITEM NO.	WANG PART NO.	DESCRIPTION	REFERENCE DESIGNATION(S)	QTY.	ITEM NO.	WANG PART NO.	DESCRIPTION	REFERENCE DESIGNATION(S)	QTY.	ITEM NO.	WANG PART NO.	DESCRIPTION	REFERENCE DESIGNATION(S)	QTY.
13	350-C492	CONN. 9 POS 180°	J4	1										
12	350-C479	CONN. 43-43 POS	J5-12	8										
11	350-C23E	CONN. 5 POS HDR	J1	1										
10	350-C217	CONN. 3 POS HDR	J2	1										
9	350-C216	CONN. 2 POS HDR	J3	1										
8														
7														
6	350-3011	RES. 1K 1/4W 5%	R1	1										
5	330-1048	RES. 47K 1/4W 5%	R2,5,6,9,117-C1, R14 R1B, R3A, R3B	14										
4														
3														
2	300-1833	100 501 CAP	C11-17	7										
1	300-1083	470F 501 CAP	C1-10, C1A, C1B, C9A, C9B	14										

REVISION	DATE	BY
1		
2		

WANG WANG LABORATORIES, INC. LOWELL, MASS.		BY	DATE	APPROVED BY	DATE
MATERIAL	MODEL NO. P207A P2C	DWG. NO.	DATE	ENGR.	
	SEE DRAWING SPECIFICATIONS	CHECKED BY	DATE	IN ENGR.	
				MFG ENGR.	
TITLE		EXPANDED MOTHER BO.			
FINISH	FOR IT AS NOTED	210-9257	D	9-25	
	10 ± FRAK ±	WANG PART NUMBER	SIZE	DRAWING NUMBER	REV.
	100 ± ANG ±				
	SCALE				

11 10 9 8 7 5 4 3 2 1 22"

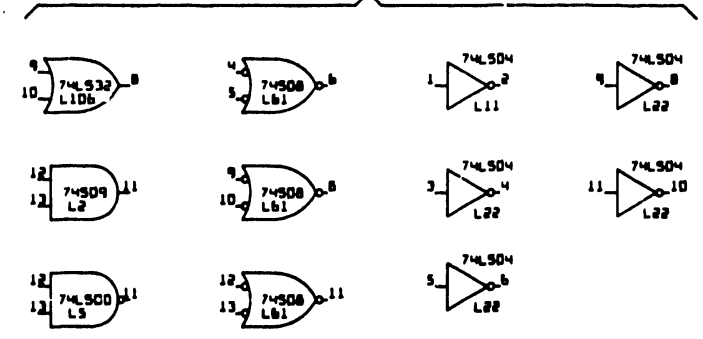
LL2

THIS DRAWING AND THE DATA HEREON ARE THE PROPERTY OF WANG LABORATORIES, INC. AND ARE NOT TO BE REPRODUCED OR TRANSMITTED IN ANY FORM OR BY ANY MEANS, ELECTRONIC OR MECHANICAL, INCLUDING PHOTOCOPYING, RECORDING, OR BY ANY INFORMATION STORAGE AND RETRIEVAL SYSTEM. THE DESIGN OF THIS DRAWING IS THE PROPERTY OF WANG LABORATORIES, INC. AND IS NOT TO BE REPRODUCED OR TRANSMITTED IN ANY FORM OR BY ANY MEANS, ELECTRONIC OR MECHANICAL, INCLUDING PHOTOCOPYING, RECORDING, OR BY ANY INFORMATION STORAGE AND RETRIEVAL SYSTEM.

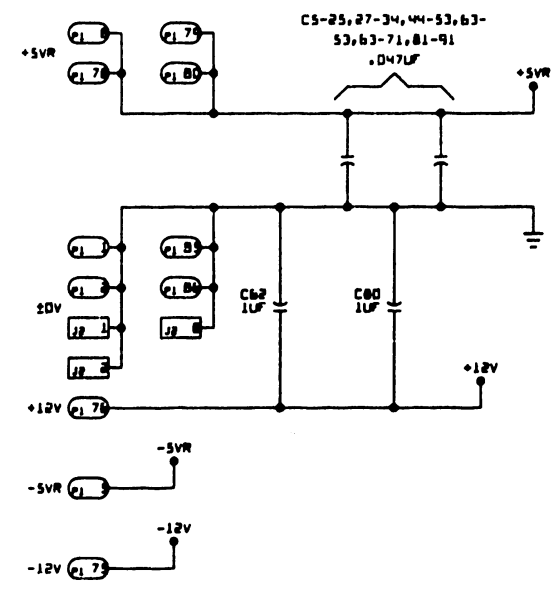
NOTES

1. ALL RESISTOR VALUES IN OHMS.
2. ALL CAPACITOR VALUES IN MICROFARADS UNLESS OTHERWISE INDICATED.
3. ALL RESISTORS 1/4W 5% UNLESS OTHERWISE INDICATED.

SPARES

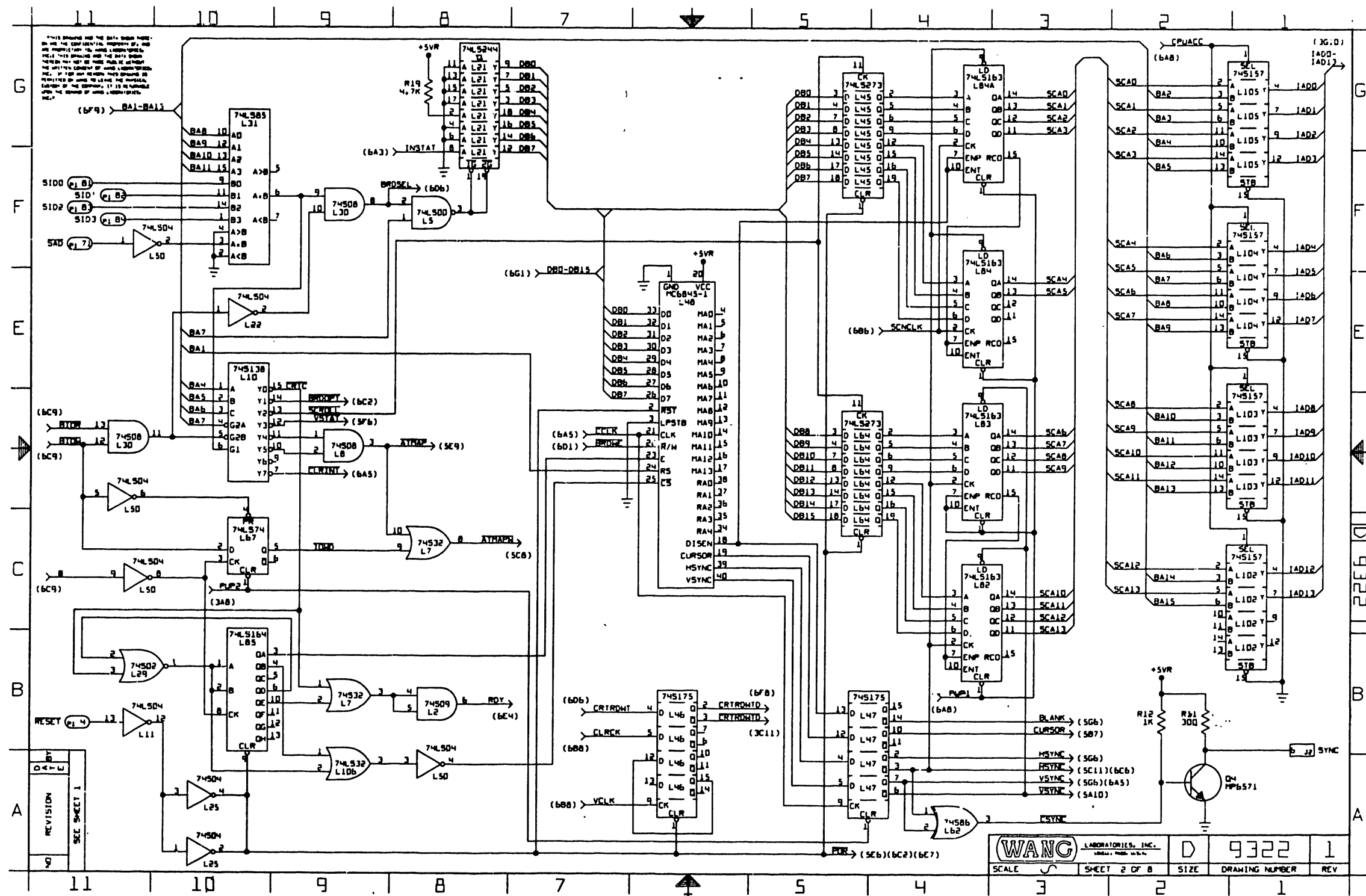


PNEUMONIC	COORD
XTRC	6C11
XPRC	6C11
A1-A7	6F11
A8-A15	6D11
BCUT	5B1
CLK	6C11
DT/ R	6C11
DD-D7	6G1
DB-D15	6C1
GOUT	5B1
HACK	6G11
HORIVE	5A1
TRC	6C11
TOU	5B1
TRD3	6A1
PRDC	6C11
RDY	6D1
RESET	2B11
ROUT	5B1
SAD	2F11
S100-S103	2F11
VDRIVE	5B1



REVISION	BY	DATE	REVISION	BY	DATE
1	JSW	5-18-84	1	JSW	7-24-84
2	DMR	NOV 22 1984	2	DMR	
3	DMR	NOV 22 1984	3	DMR	

WANG LABORATORIES, INC.		SCHEMATIC DIAGRAM	
MODEL NUMBER		TITLE ANALOG LOW RESOLUTION OPTION M/L	
WANG PART NUMBER		DRAWN BY JSW	
PBC 210-9322		CHK ENG MG DIR	
SCALE		SIZE	
SHEET 1 OF 8		DRAWING NUMBER	
		REV	

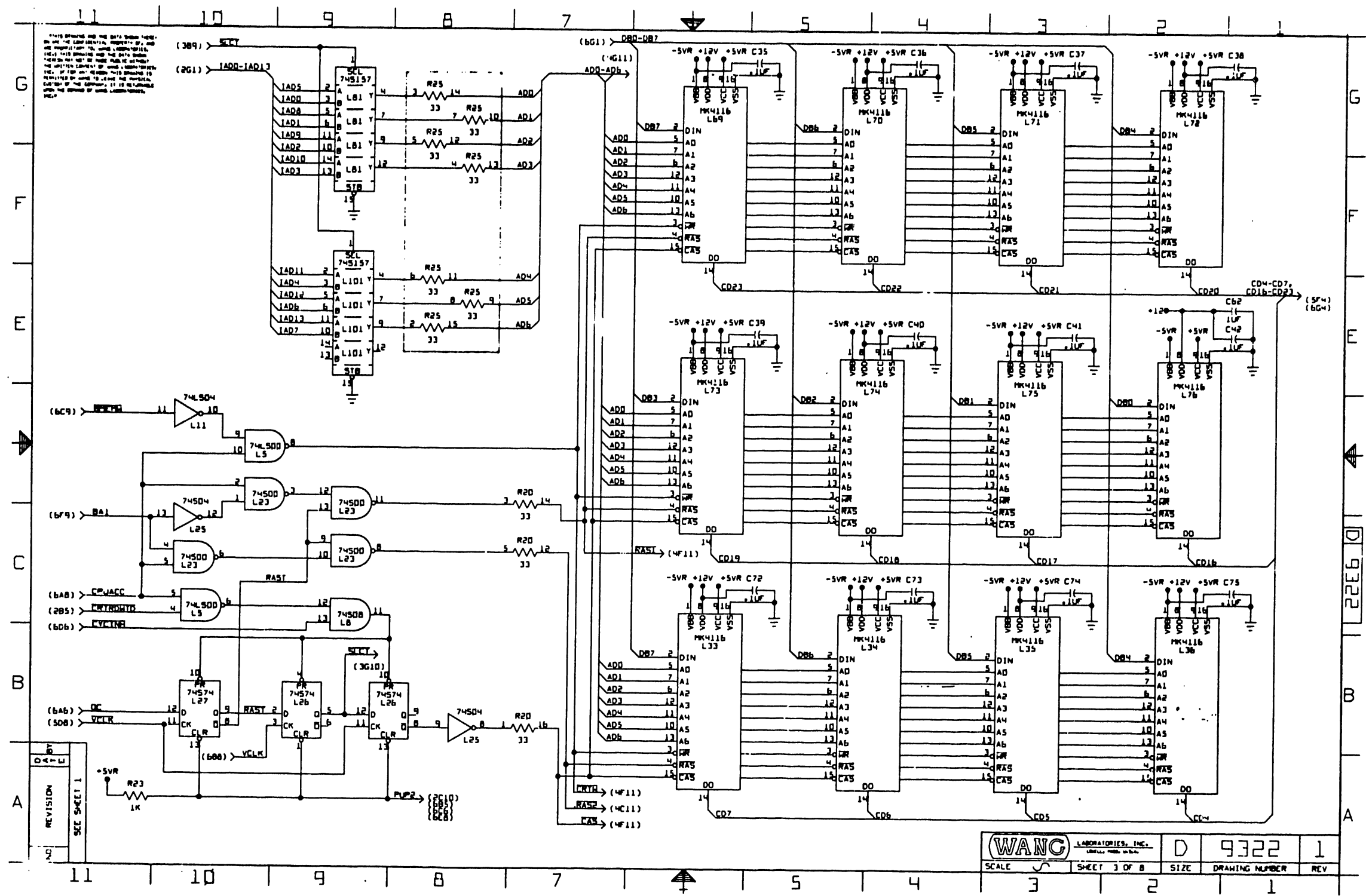


THIS DRAWING AND THE DATA THEREON ARE THE PROPERTY OF WANG LABORATORIES, INC. AND ARE NOT TO BE REPRODUCED OR TRANSMITTED IN ANY FORM OR BY ANY MEANS, ELECTRONIC OR MECHANICAL, INCLUDING PHOTOCOPYING, RECORDING, OR BY ANY INFORMATION STORAGE AND RETRIEVAL SYSTEM. WITHOUT THE WRITTEN PERMISSION OF WANG LABORATORIES, INC. NO PART OF THIS DRAWING IS TO BE REPRODUCED OR TRANSMITTED IN ANY FORM OR BY ANY MEANS, ELECTRONIC OR MECHANICAL, INCLUDING PHOTOCOPYING, RECORDING, OR BY ANY INFORMATION STORAGE AND RETRIEVAL SYSTEM.

REV	DATE	BY	DESCRIPTION
1			ISSUED FOR FABRICATION

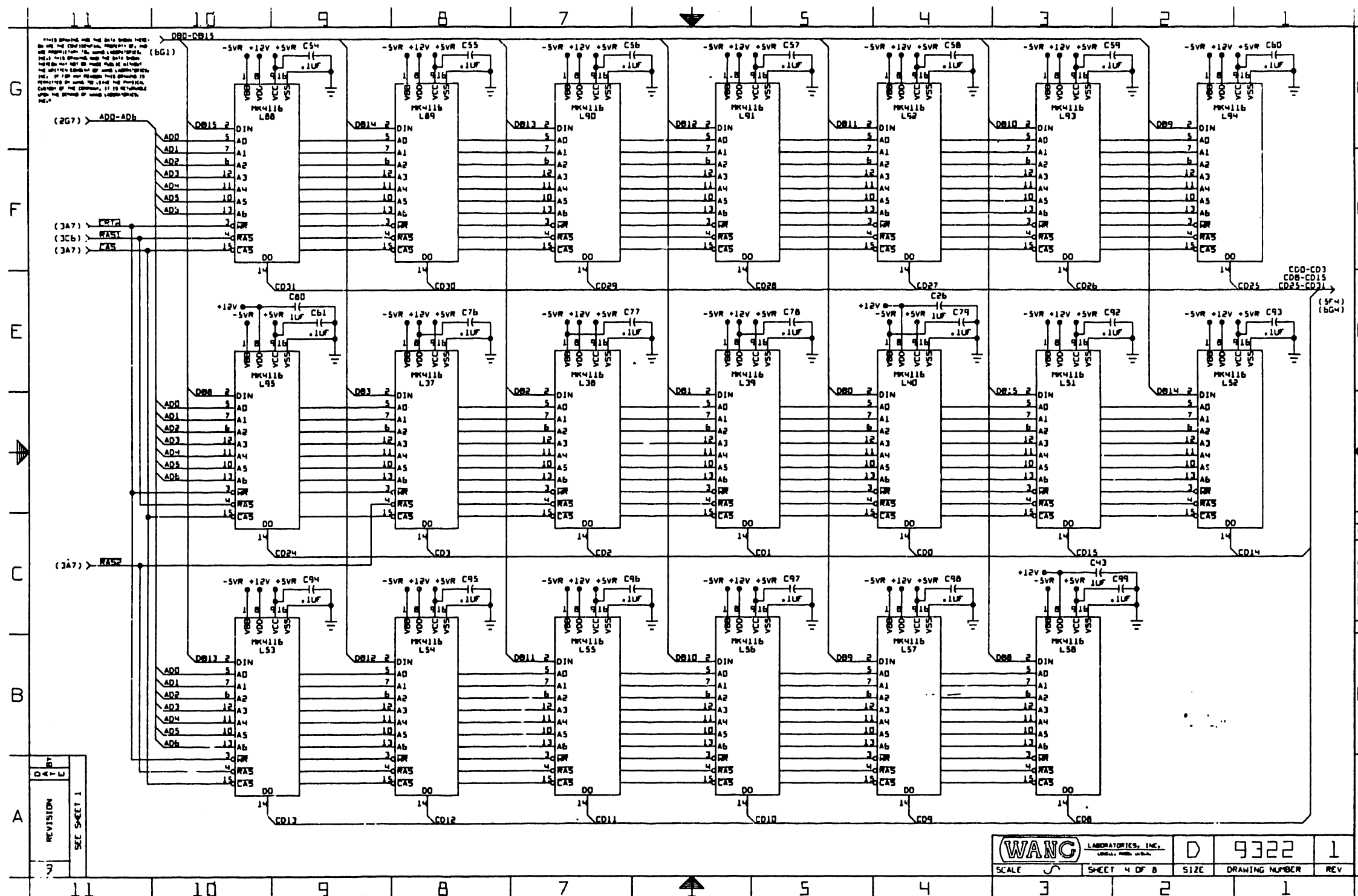
WANG LABORATORIES, INC.		D	9322	1
SCALE	SHEET 2 OF 8	SIZE	DRAWING NUMBER	REV

MM2

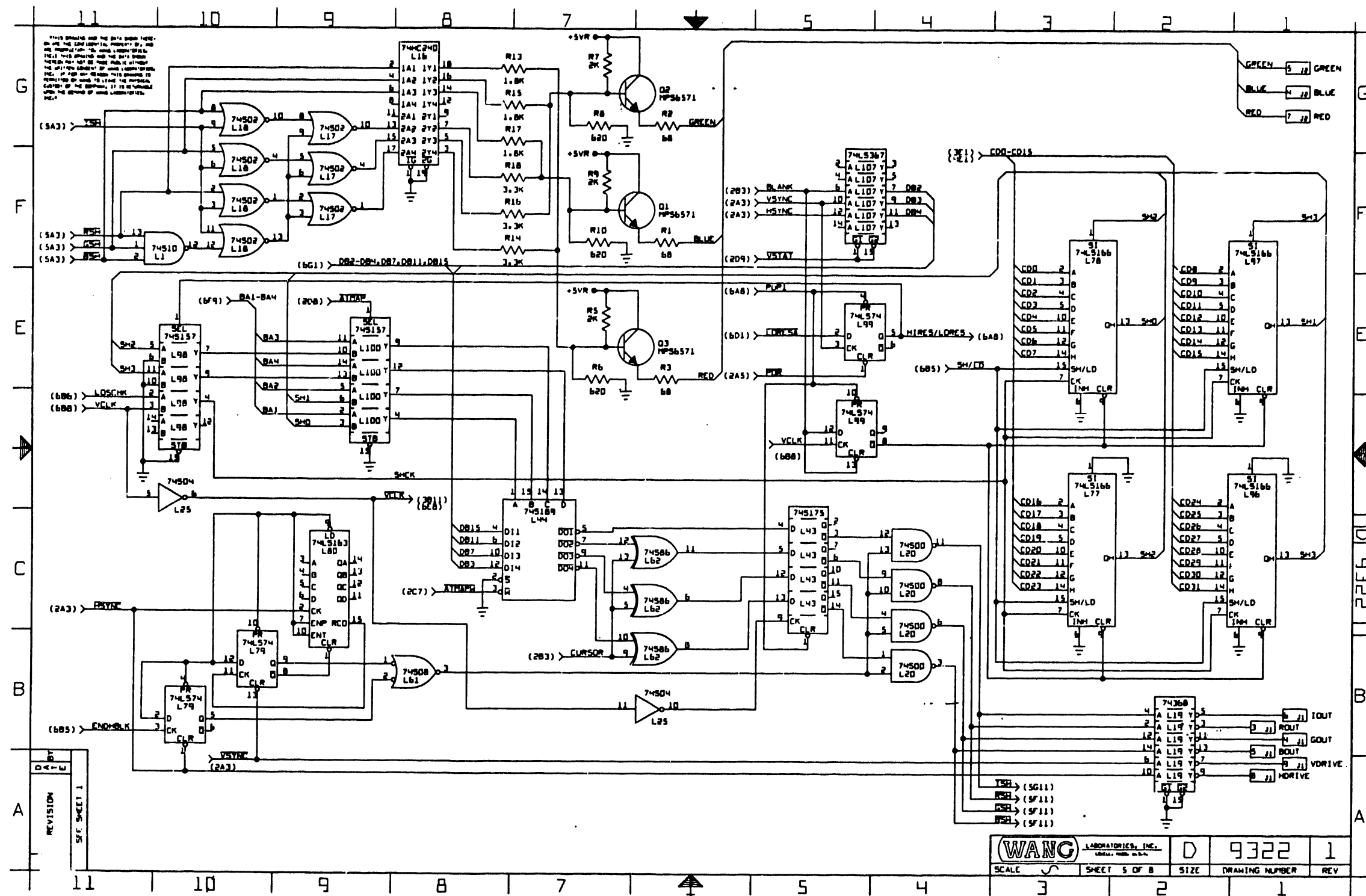


WANG LABORATORIES, INC.		D	9322	1
SCALE	SHEET 3 OF 8	SIZE	DRAWING NUMBER	REV

MM3



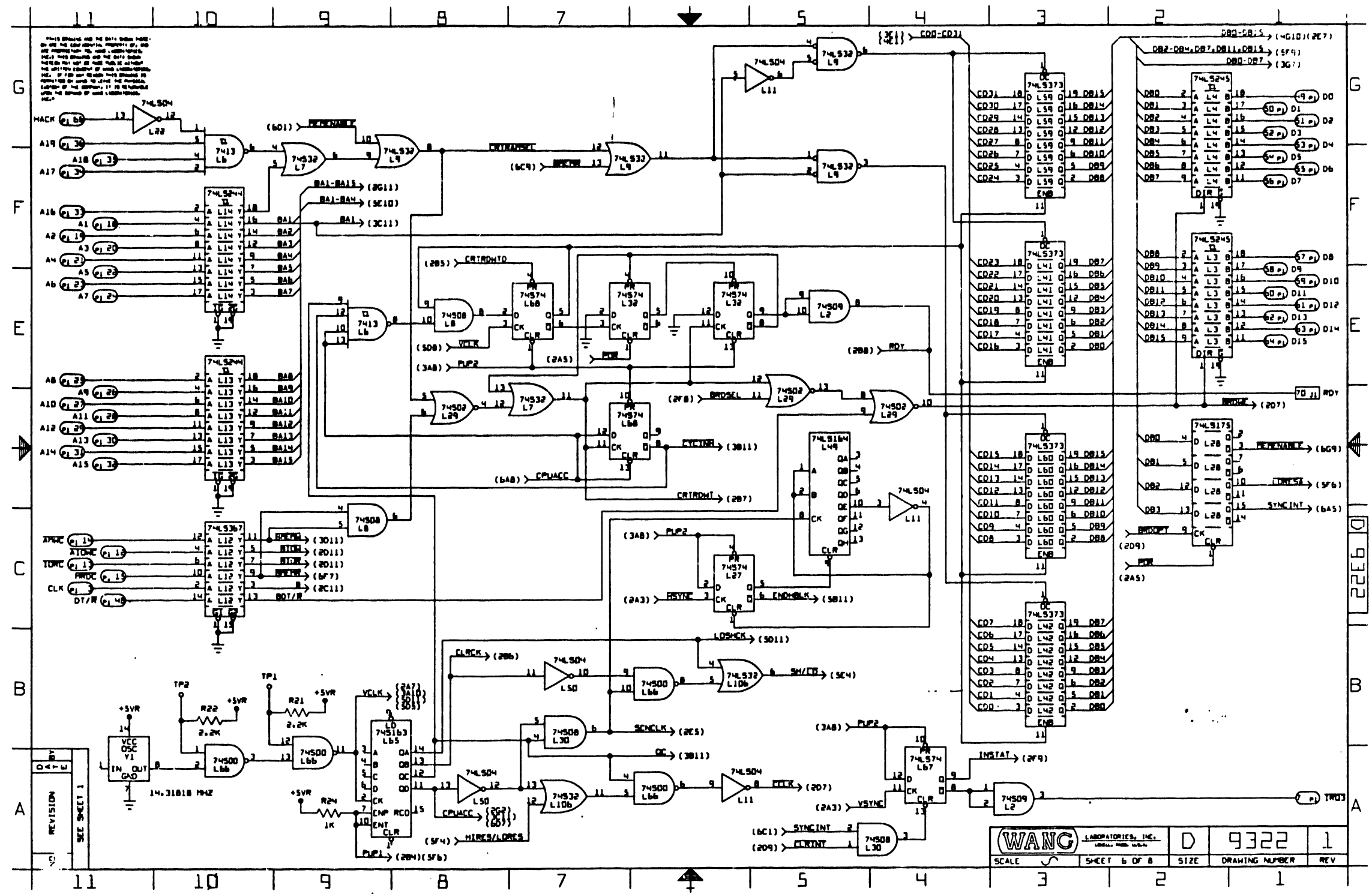
MM4



THIS DRAWING AND THE DATA SHEET THEREON ARE THE PROPERTY OF WANG LABORATORIES, INC. AND ARE NOT TO BE REPRODUCED OR TRANSMITTED IN ANY FORM OR BY ANY MEANS, ELECTRONIC OR MECHANICAL, INCLUDING PHOTOCOPYING, RECORDING, OR BY ANY INFORMATION STORAGE AND RETRIEVAL SYSTEM. THE DESIGN OF THIS DRAWING IS THE PROPERTY OF WANG LABORATORIES, INC. AND IS NOT TO BE REPRODUCED OR TRANSMITTED IN ANY FORM OR BY ANY MEANS, ELECTRONIC OR MECHANICAL, INCLUDING PHOTOCOPYING, RECORDING, OR BY ANY INFORMATION STORAGE AND RETRIEVAL SYSTEM.

REVISION
SEE SHEET 1

WANG LABORATORIES, INC.		D	9322	1
SCALE	SHEET 5 OF 8	SIZE	DRAWING NUMBER	REV



*This circuit is the data path for the 9322 computer. It is designed to be used with the 9322 control logic. The control logic is shown in the next sheet of the drawing. The control logic is shown in the next sheet of the drawing. The control logic is shown in the next sheet of the drawing. The control logic is shown in the next sheet of the drawing.

REV	DESCRIPTION
1	ISSUED FOR PRODUCTION

SCALE	SHEET 6 OF 8	SIZE	DRAWING NUMBER	REV
			9322	1

MM6

(FINAL BILL-OF-MATERIALS)

BOARD NO. & TITLE: C9322 ANALOG LW RESOLUTION OPTION M/L SCHEMATIC REVISION (S): 01 SHEET OF PAGE 1
 ASSEMBLY LEVEL: TITLE: 200 0922
 ARTWORK REVISION (R): 01
 ASSEMBLY REVISION (A): 01
 SCHEMATIC REVISION (S): 01
 DRAW ON MOST RECENT ECD: 333740
 CREATED: 07/12/84 12:12
 LAST MODIFIED: 08/02/84 10:06 BY: LAB
 EDITING REVISION: 1

REF. DES.	WANG PART NO.	VALUE/TYP	DESCRIPTION	QTY.
C35 - C47	300-1033-	.1U	CAP CERAMIC MONO AXIAL LEADED +50V-20% 50V Z1U	32
C38 - C41				
C42 - C49				
C50 - C59	300-1031-	1U	CAP CERAMIC MONO RADIAL 50V +50V-20% Z1U	4
C60 - C69				
C70 - C79				
C80 - C89	300-1066-	.047U	CAP CERAMIC MONO AXIAL +50V-20% 50V Z1U	59
C90 - C99				
C100 - C109				
C110 - C119				
C120 - C129				
C130 - C139	300-4022-	10U	CAP TANT AXIAL 10% 50V	4
C140 - C149	300-4031-	120U	CAP TANT AXIAL 10% 50V	1
C150 - C159	321-1000-	14.3182	CLOCK OSCILLATOR 14.31818 MHZ ±.002% TTL	1
C160 - C169	330-1065-	60.000	RES FIXED METAL FILM 1/4W 5% 200PPM	3
C170 - C179	330-2031-	300.000	RES FIXED METAL FILM 1/4W 5% 200PPM	1
C180 - C189	330-2033-	620.000	RES FIXED METAL FILM 1/4W 5% 200PPM	3
C190 - C199				
C200 - C209				
C210 - C219				
C220 - C229	330-3011-	1K	RES FIXED METAL FILM 1/4W 5% 200PPM	3
C230 - C239	330-3010-	1.0K	RES FIXED METAL FILM 1/4W 5% 200PPM	3
C240 - C249				
C250 - C259				
C260 - C269	330-3021-	2K	RES FIXED METAL FILM 1/4W 5% 200PPM	3
C270 - C279				
C280 - C289				
C290 - C299				
C300 - C309	330-3033-	2.2K	RES FIXED METAL FILM 1/4W 5% 200PPM	2
C310 - C319	330-3034-	2.2K	RES FIXED METAL FILM 1/4W 5% 200PPM	3
C320 - C329				
C330 - C339				
C340 - C349				
C350 - C359				
C360 - C369	330-3040-	4.7K	RES FIXED METAL FILM 1/4W 5% 200PPM	1
C370 - C379	333-0035-	33.000M	RESISTOR NETWORK TYPE: 16/60/P/D	2
C380 - C389				
C390 - C399	350-2106-	1 CONT	JACK BY CHASSIS HT	1
C400 - C409	350-2515-	0 CONT	CONN D-SUB RECEPT POINT R/A .500	1

BOARD NO. & TITLE: C9322 ANALOG LW RESOLUTION OPTION M/L SCHEMATIC REVISION (S): 01 SHEET OF PAGE 3
 REF. DES. WANG PART NO. VALUE/TYP DESCRIPTION DRAWING NO. QTY.

L04A				
L77 - L78	376-0575-	74LS166	IC PAR/SER IN SER OUT 8-BIT SHIFT REGISTERS	4
L79 - L87				
L2	376-0595-	74S09	IC POSITIVE-AND-GATE OPEN COLLECTOR	1
L16	376-0778-	74HC240	HEX CMOS IC OCTAL 3-STATE INVERTING BUFFER	1
Q2	376-0980-	SKT 16**	IC SOCKET 16 PIN ANTI-WICKING SPACER (FOR Y1)	1
L40	376-0911-	SKT 40	SOCKET 40 PIN DIL PC MOUNT	1
L33 - L40	397-0345-	4116	IC 16X1 DRAM 200NS 16PIN BURNED	32
L51 - L58				
L69 - L76				
L80 - L96				
Q1	810-0322-	PCB	TERMINAL SINGLE HECK POINT CAP	1
TP1 - TP2	684-1192-	TERMINAL	TERMINAL SINGLE HECK POINT CAP	2

BOARD NO. & TITLE: C9322 ANALOG LW RESOLUTION OPTION M/L SCHEMATIC REVISION (S): 01 SHEET OF PAGE 2
 REF. DES. WANG PART NO. VALUE/TYP DESCRIPTION DRAWING NO. QTY.

Q1 - Q4	376-1061-	MP6A871	TSR NPN TO-92 350MV 20V 100MA	4
L61	376-0183-	74LS04	IC QUAD 2-INPUT AND GATE	1
L67	376-0183-	74LS74	IC DUAL D-TYPE POSITIVE EDGE TRIG FLIP-FLOP	1
L70				
L99				
L28	376-0160-	74LS175	IC QUAD D-TYPE FLIP-FLOP	1
L19	376-0179-	74S04	IC HEX INVERTER BUFFER TRI-STATE	1
L11	376-0160-	74LS04	IC HEX INVERTER	1
L22				
L80				
L12	376-0192-	74LS247	IC HEX BUFFER TRI-STATE	2
L107				
L25	376-0197-	74S04	IC HEX INVERTER	1
L29	376-0199-	74S02	IC QUAD 2-INPUT POSITIVE-NOR GATES	1
L8	376-0200-	74S00	IC QUAD 2 INPUT POSITIVE AND GATES	2
L30				
L30 - L37	376-0203-	74S74	IC DUAL D-TYPE POS EDGE TRIGD F/F M/PRESET/C	4
L32				
L30				
L7	376-0205-	74S32	IC QUAD 2-INPUT OR GATE	1
L9	376-0207-	74LS00	IC QUAD 2-INPUT NAND GATE	2
L20				
L17 - L18	376-0208-	74LS02	IC QUAD 2-INPUT NOR GATE	2
L1	376-0209-	74LS10	IC TRIPLE 3-INPUT POS NAND GATES	1
L10	376-0211-	74LS32	IC QUAD 2-INPUT OR GATE	2
L106				
L81	376-0217-	74LS167	IC QUAD 2 TO 1 LINE DATA SEL/MUX	8
L98				
L100 - L106				
L11	376-0218-	74LS05	IC 4-BIT MAGNITUDE COMPARATOR	1
L23	376-0220-	74S09	IC QUAD 2-INPUT NAND GATE	2
L66				
L65	376-0235-	74S163	IC SYNCHRONOUS 4-BIT BINARY COUNTER	1
L65	376-0236-	74LS164	IC SERIAL-IN PARALLEL-OUT SHIFT REGISTER	2
L65				
L43	376-0270-	74LS175	IC QUAD D-TYPE FLIP-FLOP	3
L46 - L47				
L42	376-0271-	74S06	IC QUAD 2 IN EXCLUSIVE OR GATE	1
L3 - L4	376-0285-	74LS248	IC OCTAL BUS TRANSDUCER TRI-STATE OUTPUTS	2
L13 - L14	376-0286-	74LS244	IC OCTAL BUFFER/LINE DRIVER M/TRI STATE	3
L21				
L10	376-0288-	74LS130	IC 3-LINE TO 8-LINE DECODER/MULTIPLEXER	1
L45	376-0302-	74LS273	IC OCTAL D-TYPE FLIP-FLOP M/CLEAR	2
L44				
L41 - L42	376-0310-	74LS273	IC OCTAL D-TYPE LATCH TRI-STATE OUTPUTS	4
L40				
L40	376-0349-	74S189	IC 16X4-BIT STATIC RAM TRI-STATE OUTPUTS	1
L6	376-0355-	7413	IC DUAL 4-INPUT NAND GATE SCHMITT TRIGGER	1
L80	376-0574-	74LS163A	IC BINARY SYNCHRONOUS CLEAR 4-BIT COUNTERS	5
L82 - L84				

BOARD NO. & TITLE: C9322 ANALOG LW RESOLUTION OPTION M/L SCHEMATIC REVISION (S): 01 SHEET OF PAGE 4
 REF. DES. WANG PART NO. VALUE/TYP DESCRIPTION DRAWING NO. QTY.

(CAUTION - THE FOLLOWING PARTS/COMPONENTS CONTAINED IN THIS B.O.M. ARE NOT RECOMMENDED FOR NEW DESIGNS)

L11	376-0197-	74S04	IC HEX INVERTER	1
L11	376-0199-	74S02	IC QUAD 2-INPUT POSITIVE-NOR GATES	1
L16	376-0208-	74S08	IC QUAD 2 INPUT POSITIVE AND GATES	2
L37	376-0282-	74S74	IC DUAL D-TYPE POS EDGE TRIGD F/F M/PRESET/C	4
L37	376-0285-	74S32	IC QUAD 2-INPUT OR GATE	1
L37	376-0217-	74S167	IC QUAD 2 TO 1 LINE DATA SEL/MUX	8
L37	376-0278-	74S00	IC QUAD 2-INPUT NAND GATE	2
L37	376-0235-	74S163	IC SYNCHRONOUS 4-BIT BINARY COUNTER	1
L37	376-0270-	74S175	IC QUAD D-TYPE FLIP-FLOP	3
L37	376-0271-	74S06	IC QUAD 2 IN EXCLUSIVE OR GATE	1
L37	376-0298-	74S130	IC 3-LINE TO 8-LINE DECODER/MULTIPLEXER	1
L37	376-0349-	74S189	IC 16X4-BIT STATIC RAM TRI-STATE OUTPUTS	1
L37	376-0355-	7413	IC DUAL 4-INPUT NAND GATE SCHMITT TRIGGER	1

*** END-OF-REPORT ***

WANG	WANG LABORATORIES, INC. LITTLE ROCK, AR, U.S.A.	BY	DATE	APPROVED BY	DATE
		OWN		E ENGR	
MATERIAL	MODEL NO			M ENGR	
	SEE DRWG SPECIFICATIONS			MFG ENGR	
FINISH	TITLE	LOW RES OPTION M/L			
	TEL OR AS NOTED				
	SEE 2-910 PRAC & 1-10M SLIP & 800 ANG & 1-307 PRAC/V	210-9322	C	9322	1
	SCALE	1/8" = 1"			

17"

17"

11"

11"

8.5"

8.5"

WANG LABORATORIES, INC.

***** ELECTRICAL PARTS LIST ***** SHEET OF PAGE 1

(FINAL BILL-OF-MATERIALS)

BOARD NO. & TITLE: C9322 ANALOG LM RESOLUTION OPTION/M/L CREATED: 07/12/84 12:12
 ASSEMBLY LEVEL & TITLE: 210-A 9322 LAST MODIFIED: 04/03/84 10:06 BY: LAB
 PARTS REVISION (R): 01 EDITING REVISION: 1
 ASSEMBLY REVISION (A): 01
 SCHEMATIC REVISION (S): 01
 QWP OR MOST RECENT ECO: 333740

M

QTY.	WANG PART NO.	VALUE/TYPE	DESCRIPTION	DRAWING NO.	QTY.
01	299-9322-	PCA	PCA		1
140	297-9473-	IC CRT CONTROLLER BURNED	IC CRT CONTROLLER BURNED		1
02	454-2422-	SHIELD	R.F. SHIELD		2
03	462-0611-	HEX	HEX STUBOFF #4-40 .210X .5		2
013		EJECTOR	EJECTOR		1
04	441-1244-	LABEL	LABEL		1
010	010-2306-	LABEL	ANALOG LABEL		1
011	010-2307-	LABEL	DIGITAL LABEL		1
012	010-2308-	SCR	SCR 4-40 5/16 PHIL PH		1
05	650-2100-	PAN HD	6-32 X 3/8 PAN HD PHL HD		1
017 - 018	641-0011-	SCREW	SCREW		2
07	632-0032-	LOCK NUT	6-32 LOCK NUT KEPS 811-06		1
06	642-2004-	NUT	NUT 4-4 CIRC HEX SMALL P		1
016	642-2005-	LOCK NUT	LOCK NUT 4-40 KEPS		2

*** END-OF-REPORT ***

WANG WANG LABORATORIES, INC. LOWELL, MA U.S.A.		BY	DATE	APPROVED BY	DATE
MATERIAL		DWN		E ENGR	
MODEL NO		CHE		M ENGR	
WE ENGINE SPECIFICATION				MFG ENGR	
TITLE		LOW RES OPTION M/L			
PARTS		210-9322	C	9322	1
SCALE		WANG PART NUMBER SIZE SHIPPING NUMBER QTY			

8.5"

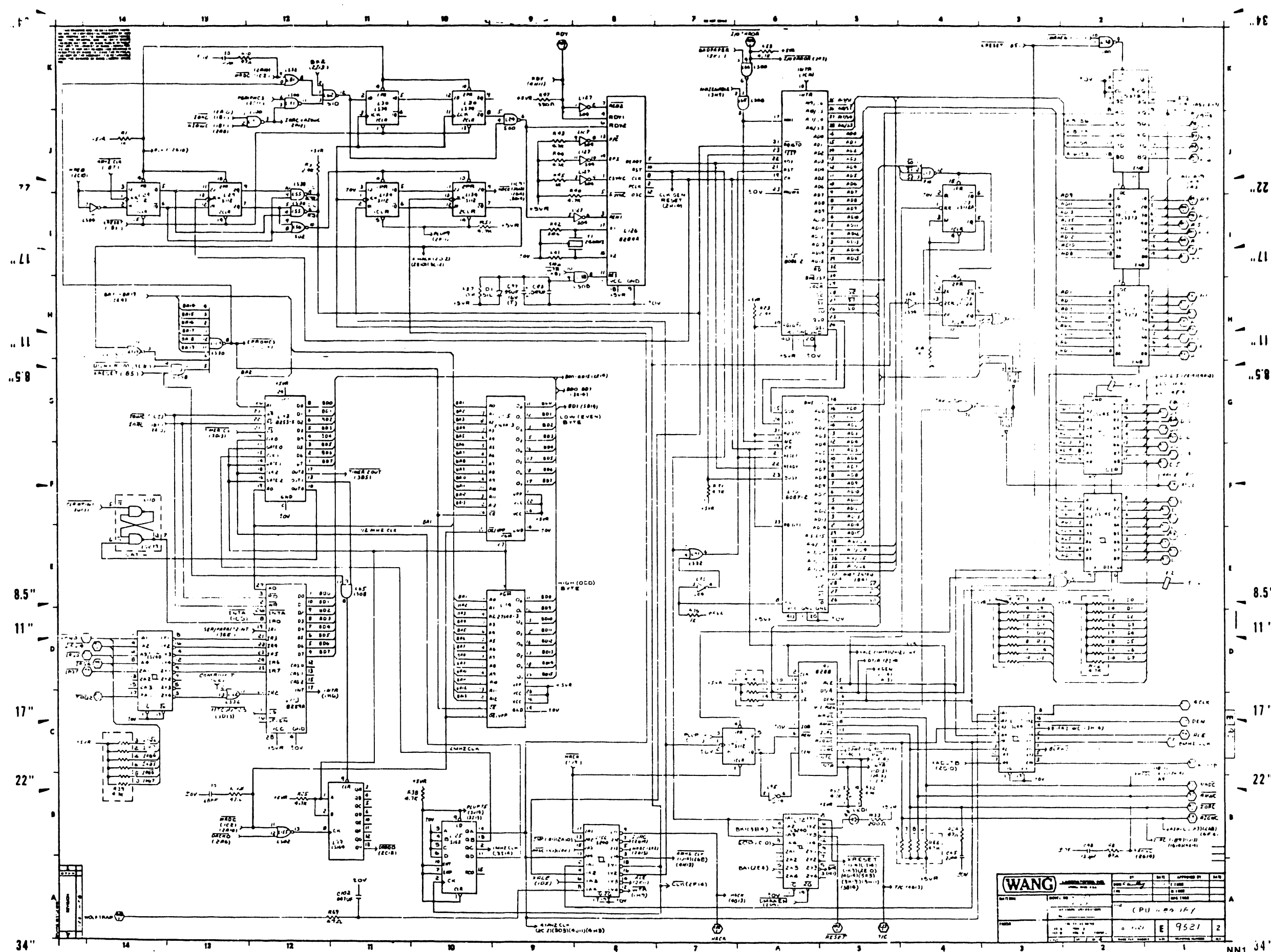
8.5"

11"

11"

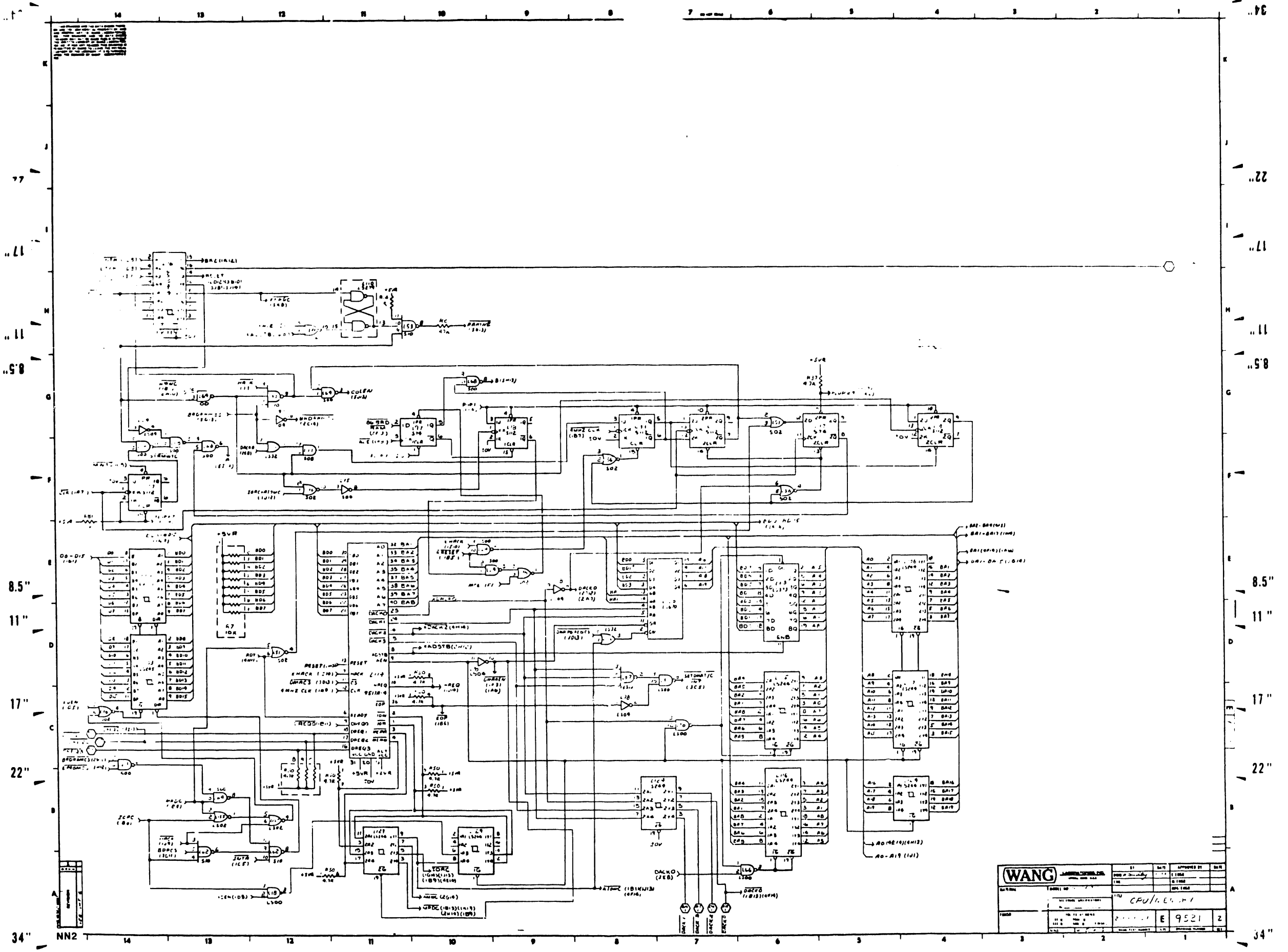
17"

17"

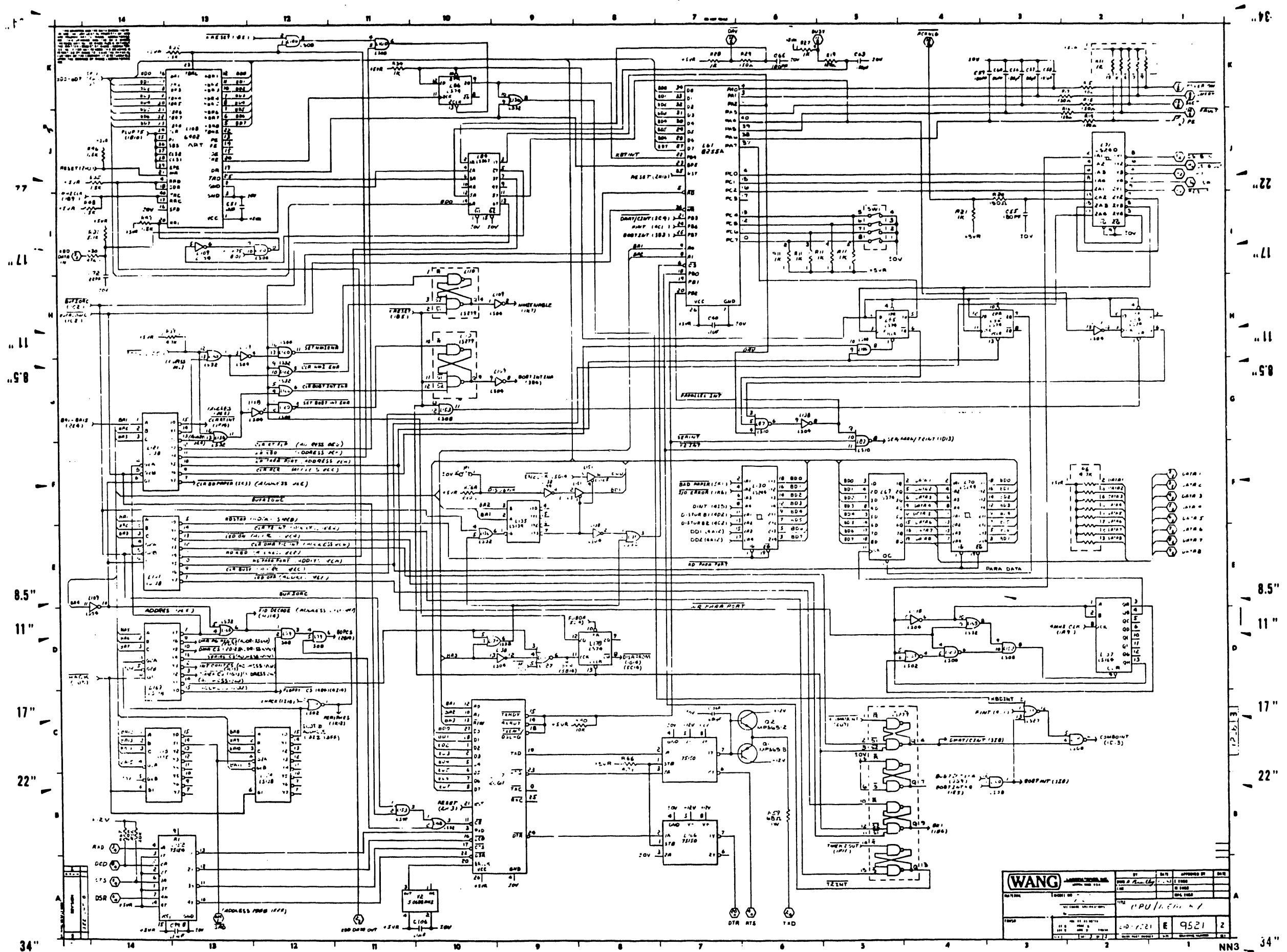


WANG		DATE	BY	APPROVED BY	DATE
PROJECT NO.	720C				
DESCRIPTION	(CPU - 720C)				
REV.	0	DATE	E	9521	2

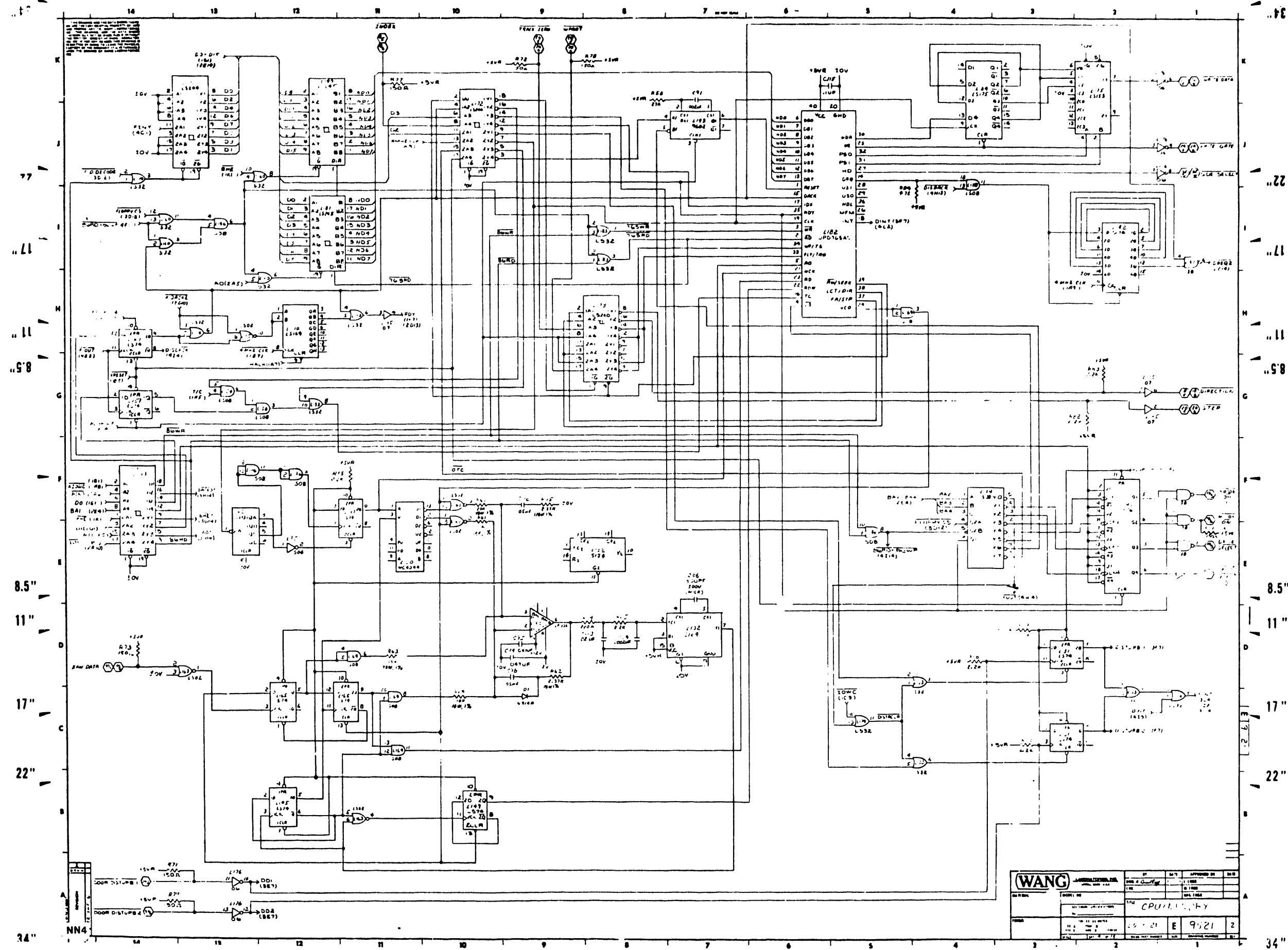
34" 14 13 12 11 10 9 8 7 6 5 4 3 2 1 34" NN1 34"



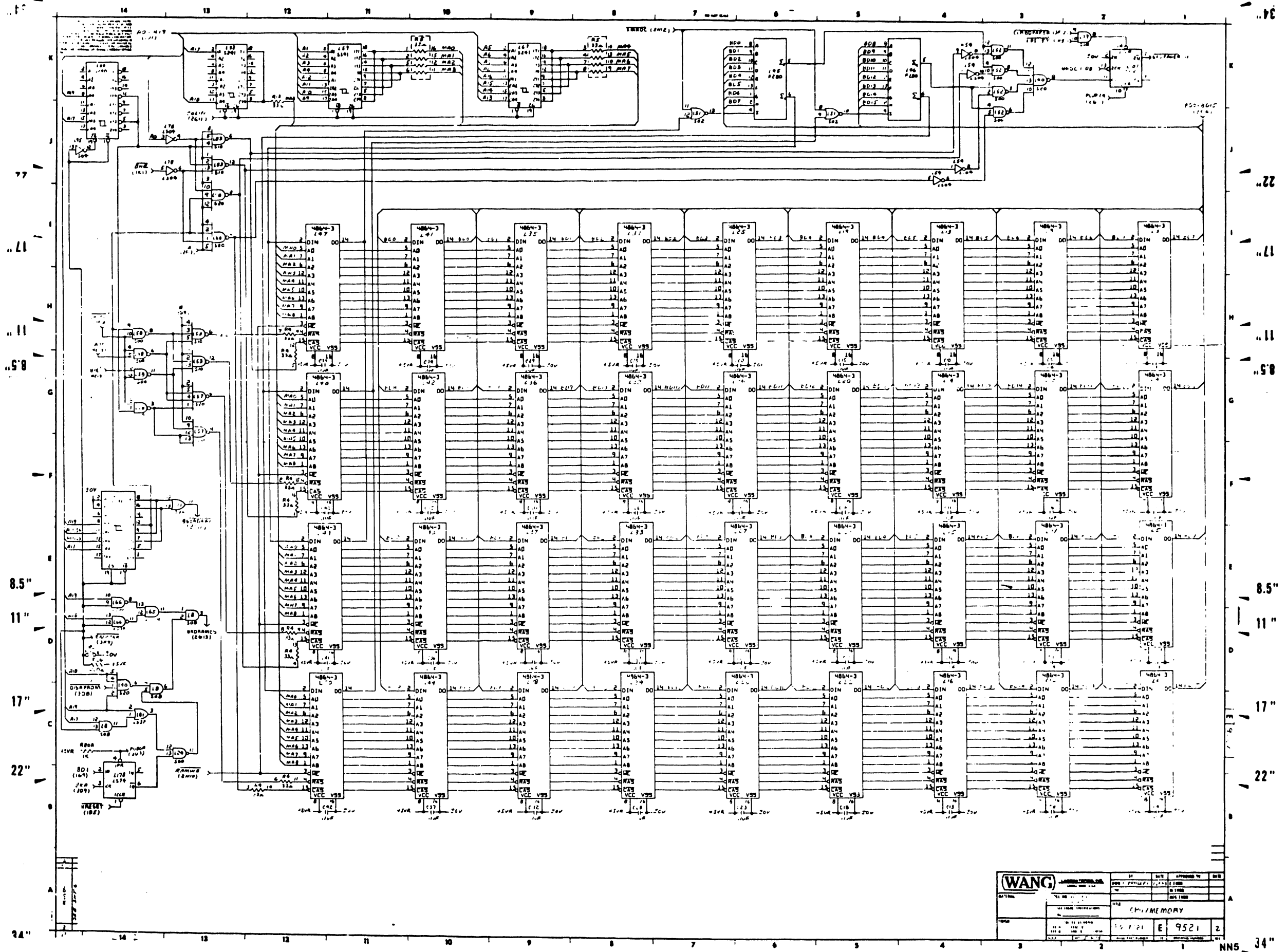
WANG		DATE		APPROVED BY	
TITLE		TIME		DATE	
DRAWN BY		CHECKED BY		DATE	
DESIGNED BY		DATE		DATE	
PARTS LIST		CPU/ALU/PLI		E 9521 Z	



WANG		REV	DATE	APPROVED BY	DATE
DRAWN BY		REV	DATE	APPROVED BY	DATE
CHECKED BY		REV	DATE	APPROVED BY	DATE
TITLE		CPU/CPU-1			
DRAWING NUMBER		E 9521			
SCALE		AS SHOWN			



WANG		DATE	APPROVED BY
TITLE	DESCRIPTION	DATE	BY
CPU UNIT	CPU UNIT	9-21	E
REV	REV	REV	REV
1			

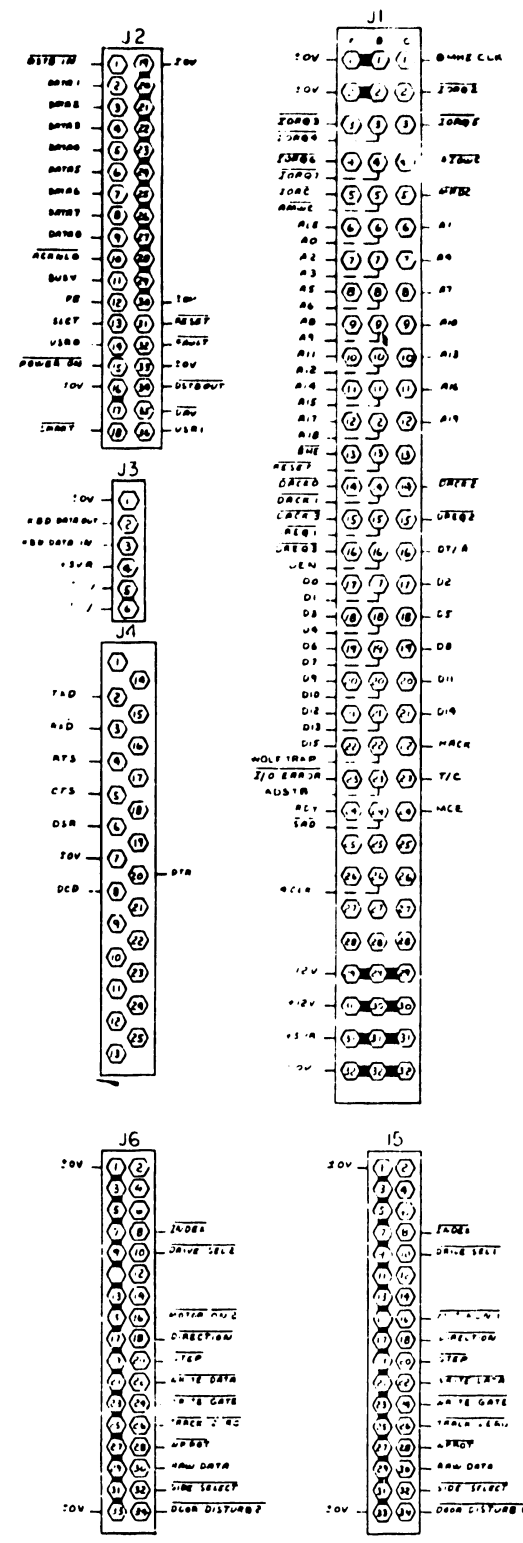
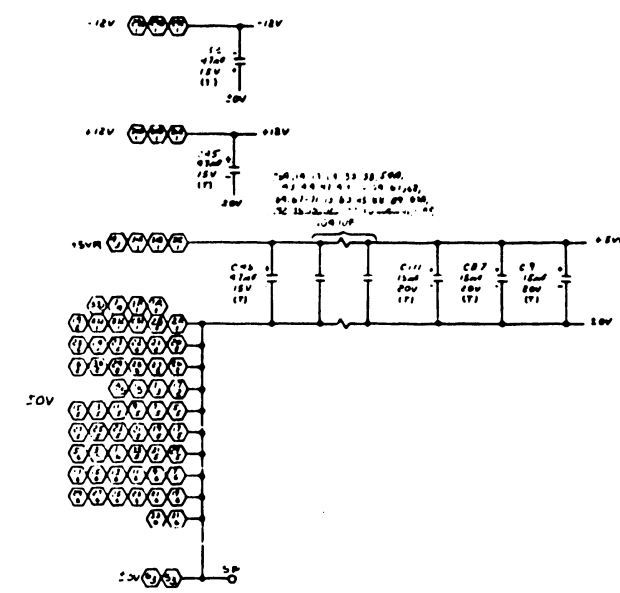


(WANG)		DATE	APPROVED BY	REV
PROJECT		NO.		
DESCRIPTION		REV.		
BY		DATE		
CHECKED BY		DATE		
DRAWN BY		DATE		
TITLE		NO.		
MEMORY		REV.		
NO. OF SHEETS		OF		
35		OF	9521	2
DATE		NO.		
1968		NO.		

NN5 34"

IC TYPE	LOCATION	QTY
74500	L24	1
74500	L25	1
74500	L26	1
74500	L27	1
74500	L27	2
74500	L28	1
74500	L29	2
74500	L30	1
74500	L31	1
74500	L32	2
74500	L33	2
74500	L34	1
74500	L35	1
74500	L36	1
74500	L37	1
74500	L38	1
74500	L39	1

SYMBOL	QTY
AD-A19	1M1
AD-A18	1M2
AD-A17	1M3
AD-A16	1M4
AD-A15	1M5
AD-A14	1M6
AD-A13	1M7
AD-A12	1M8
AD-A11	1M9
AD-A10	1M10
AD-A9	1M11
AD-A8	1M12
AD-A7	1M13
AD-A6	1M14
AD-A5	1M15
AD-A4	1M16
AD-A3	1M17
AD-A2	1M18
AD-A1	1M19
AD-A0	1M20
AD-A	1M21
AD-B	1M22
AD-C	1M23
AD-D	1M24
AD-E	1M25
AD-F	1M26
AD-G	1M27
AD-H	1M28
AD-I	1M29
AD-J	1M30
AD-K	1M31
AD-L	1M32
AD-M	1M33
AD-N	1M34
AD-O	1M35
AD-P	1M36
AD-Q	1M37
AD-R	1M38
AD-S	1M39
AD-T	1M40
AD-U	1M41
AD-V	1M42
AD-W	1M43
AD-X	1M44
AD-Y	1M45
AD-Z	1M46
AD-AA	1M47
AD-AB	1M48
AD-AC	1M49
AD-AD	1M50
AD-AE	1M51
AD-AF	1M52
AD-AG	1M53
AD-AH	1M54
AD-AI	1M55
AD-AJ	1M56
AD-AK	1M57
AD-AL	1M58
AD-AM	1M59
AD-AN	1M60
AD-AO	1M61
AD-AP	1M62
AD-AQ	1M63
AD-AR	1M64
AD-AS	1M65
AD-AT	1M66
AD-AU	1M67
AD-AV	1M68
AD-AW	1M69
AD-AX	1M70
AD-AY	1M71
AD-AZ	1M72
AD-BA	1M73
AD-BB	1M74
AD-BC	1M75
AD-BD	1M76
AD-BE	1M77
AD-BF	1M78
AD-BG	1M79
AD-BH	1M80
AD-BI	1M81
AD-BJ	1M82
AD-BK	1M83
AD-BL	1M84
AD-BM	1M85
AD-BN	1M86
AD-BO	1M87
AD-BP	1M88
AD-BQ	1M89
AD-BR	1M90
AD-BS	1M91
AD-BT	1M92
AD-BU	1M93
AD-BV	1M94
AD-BW	1M95
AD-BX	1M96
AD-By	1M97
AD-BZ	1M98
AD-CA	1M99
AD-CB	1M100



IC TYPE	LOCATION	QTY
74500	L24	1
74500	L25	1
74500	L26	1
74500	L27	1
74500	L27	2
74500	L28	1
74500	L29	2
74500	L30	1
74500	L31	1
74500	L32	2
74500	L33	2
74500	L34	1
74500	L35	1
74500	L36	1
74500	L37	1
74500	L38	1
74500	L39	1

NOTE: ALL PINS MUST BE UNLESS OTHERWISE SPECIFIED.

DATE	BY	APPROVED BY	DATE

WANG

NO.	TITLE	REV.	DATE
1	CPU IN-HUNT	E 9521	2

NO.	TITLE	REV.	DATE
1	CPU IN-HUNT	E 9521	2

77

77

77

8.5

8.5

11

17

22

WANG LABORATORIES, INC.

ELECTRICAL PARTS LIST

Sheet 7 of 4

Table with columns: QTY, PART NO., DESCRIPTION, UOM, and UNIT PRICE. Lists various electrical components like capacitors and resistors.

Table with columns: QTY, PART NO., DESCRIPTION, UOM, and UNIT PRICE. Lists various electrical components like resistors and capacitors.

77

77

77

8.5

8.5

11

17

22

Table with columns: QTY, PART NO., DESCRIPTION, UOM, and UNIT PRICE. Lists various electrical components like capacitors and resistors.

Table with columns: QTY, PART NO., DESCRIPTION, UOM, and UNIT PRICE. Lists various electrical components like resistors and capacitors.

WANG LABORATORIES, INC. form with fields for BY, DATE, APPROVED BY, MATERIAL, MODEL NO., and TITLE (CPU/MEMORY). Includes part numbers 210-9521 and 9521.

NN7

WANG LABORATORIES, INC.
ELECTRICAL PARTS LIST 4441 SHEET 14 PAGE 1
CPU AND MEMORY

DATE: 04/20/68 14 00
LAST MODIFIED: 04/17/68 14:10 BY: LMS
REVISIONS: 13

QTY	DES. NO.	NAME PART NO.	DESCRIPTION	DRWING NO.	QTY.
1	270	500-1083	20P CAP CERAMIC 500V 100 OHM 500P		1
1	270	500-1100	15P CAP CERAMIC 500V 100 OHM 500P		1
1	270	500-1100	15P CAP CERAMIC 500V 100 OHM 500P		1
1	270	500-1100	15P CAP CERAMIC 500V 100 OHM 500P		1
1	270	500-1100	15P CAP CERAMIC 500V 100 OHM 500P		1
1	270	500-1100	15P CAP CERAMIC 500V 100 OHM 500P		1
1	270	500-1100	15P CAP CERAMIC 500V 100 OHM 500P		1
1	270	500-1100	15P CAP CERAMIC 500V 100 OHM 500P		1
1	270	500-1100	15P CAP CERAMIC 500V 100 OHM 500P		1
1	270	500-1100	15P CAP CERAMIC 500V 100 OHM 500P		1

WANG LABORATORIES, INC.
ELECTRICAL PARTS LIST 4441 SHEET 5 PAGE 2
CPU AND MEMORY

DATE: 04/20/68 14 00
LAST MODIFIED: 04/17/68 14:10 BY: LMS
REVISIONS: 13

QTY	DES. NO.	NAME PART NO.	DESCRIPTION	DRWING NO.	QTY.
1	270	500-1100	15P CAP CERAMIC 500V 100 OHM 500P		1
1	270	500-1100	15P CAP CERAMIC 500V 100 OHM 500P		1
1	270	500-1100	15P CAP CERAMIC 500V 100 OHM 500P		1
1	270	500-1100	15P CAP CERAMIC 500V 100 OHM 500P		1
1	270	500-1100	15P CAP CERAMIC 500V 100 OHM 500P		1
1	270	500-1100	15P CAP CERAMIC 500V 100 OHM 500P		1
1	270	500-1100	15P CAP CERAMIC 500V 100 OHM 500P		1
1	270	500-1100	15P CAP CERAMIC 500V 100 OHM 500P		1
1	270	500-1100	15P CAP CERAMIC 500V 100 OHM 500P		1
1	270	500-1100	15P CAP CERAMIC 500V 100 OHM 500P		1

WANG LABORATORIES, INC.
ELECTRICAL PARTS LIST 4441 SHEET 4 PAGE 3
CPU AND MEMORY

DATE: 04/20/68 14 00
LAST MODIFIED: 04/17/68 14:10 BY: LMS
REVISIONS: 13

QTY	DES. NO.	NAME PART NO.	DESCRIPTION	DRWING NO.	QTY.
1	270	500-1100	15P CAP CERAMIC 500V 100 OHM 500P		1
1	270	500-1100	15P CAP CERAMIC 500V 100 OHM 500P		1
1	270	500-1100	15P CAP CERAMIC 500V 100 OHM 500P		1
1	270	500-1100	15P CAP CERAMIC 500V 100 OHM 500P		1
1	270	500-1100	15P CAP CERAMIC 500V 100 OHM 500P		1
1	270	500-1100	15P CAP CERAMIC 500V 100 OHM 500P		1
1	270	500-1100	15P CAP CERAMIC 500V 100 OHM 500P		1
1	270	500-1100	15P CAP CERAMIC 500V 100 OHM 500P		1
1	270	500-1100	15P CAP CERAMIC 500V 100 OHM 500P		1
1	270	500-1100	15P CAP CERAMIC 500V 100 OHM 500P		1

WANG LABORATORIES, INC.
ELECTRICAL PARTS LIST 4441 SHEET 4 PAGE 3
CPU AND MEMORY

DATE: 04/20/68 14 00
LAST MODIFIED: 04/17/68 14:10 BY: LMS
REVISIONS: 13

QTY	DES. NO.	NAME PART NO.	DESCRIPTION	DRWING NO.	QTY.
1	270	500-1100	15P CAP CERAMIC 500V 100 OHM 500P		1
1	270	500-1100	15P CAP CERAMIC 500V 100 OHM 500P		1
1	270	500-1100	15P CAP CERAMIC 500V 100 OHM 500P		1
1	270	500-1100	15P CAP CERAMIC 500V 100 OHM 500P		1
1	270	500-1100	15P CAP CERAMIC 500V 100 OHM 500P		1
1	270	500-1100	15P CAP CERAMIC 500V 100 OHM 500P		1
1	270	500-1100	15P CAP CERAMIC 500V 100 OHM 500P		1
1	270	500-1100	15P CAP CERAMIC 500V 100 OHM 500P		1
1	270	500-1100	15P CAP CERAMIC 500V 100 OHM 500P		1
1	270	500-1100	15P CAP CERAMIC 500V 100 OHM 500P		1

WANG LABORATORIES, INC. LOWELL, MASS.	BY	DATE	APPROVED BY	DATE
	DWH	7 21 68	EJGCA	
	CME		M ENCA	
			WJG ENCA	
MATERIAL	MODEL NO.	TITLE		
210-9521 C	9521	CPU/MEMORY		
REV. 01 04 68 100	REV. 01 04 68 100	210-9521 C	9521	2
SCALE	DWG. NO.	REV. NO.	QTY.	REV. NO.

22" 17" 11" 8.5" 8.5" 11" 17" 22"

WANG LABORATORIES, INC. ELECTRICAL PARTS LIST

Table with columns: QTY, PART NO., DESCRIPTION, UNIT, and QTY. Lists various electrical components like capacitors and resistors.

SCHEMATIC REVISED (S) NO. 11/15/61

Table with columns: QTY, PART NO., DESCRIPTION, UNIT, and QTY. Lists various electrical components like resistors and capacitors.

22" 17" 11" 8.5" 8.5" 11" 17" 22"

WANG LABORATORIES, INC. ELECTRICAL PARTS LIST

Table with columns: QTY, PART NO., DESCRIPTION, UNIT, and QTY. Lists various electrical components like resistors and capacitors.

SCHEMATIC REVISED (S) NO. 11/15/61

Table with columns: QTY, PART NO., DESCRIPTION, UNIT, and QTY. Lists various electrical components like resistors and capacitors.

WANG LABORATORIES, INC. Form with fields: BY, DATE, APPROVED BY, DATE, MODEL NO, PARTS, TITLE (CPU/MEMORY), PARTS NO (210-9521), and other administrative fields.

NN11

22

17

11

8.5

8.5

11

17

22

NN12

WANG LABORATORIES, INC. CPU AND MEMORY SCHEMATIC REVISION (1) : 01 SHEET 2 OF 4 PAGE 3

DESCRIPTION

REF. DES.	WANG PART NO.	WANG TYPE	DESCRIPTION	QUANTITY
L100	210-0000	PCB	PC BOARD 3-INPUT AND GATE	1
L101	210-0000			
L102	210-0000			
L103	210-0000			
L104	210-0000			
L105	210-0000			
L106	210-0000			
L107	210-0000			
L108	210-0000			
L109	210-0000			
L110	210-0000			
L111	210-0000			
L112	210-0000			
L113	210-0000			
L114	210-0000			
L115	210-0000			
L116	210-0000			
L117	210-0000			
L118	210-0000			
L119	210-0000			
L120	210-0000			
L121	210-0000			
L122	210-0000			
L123	210-0000			
L124	210-0000			
L125	210-0000			
L126	210-0000			
L127	210-0000			
L128	210-0000			
L129	210-0000			
L130	210-0000			
L131	210-0000			
L132	210-0000			
L133	210-0000			
L134	210-0000			
L135	210-0000			
L136	210-0000			
L137	210-0000			
L138	210-0000			
L139	210-0000			
L140	210-0000			

WANG LABORATORIES, INC. CPU AND MEMORY SCHEMATIC REVISION (1) : 01 SHEET 2 OF 4 PAGE 3

DESCRIPTION

(CAUTION - THE FOLLOWING PARTS/COMPONENTS CONTAINED IN THIS D.D.R. ARE NOT ORDERED FOR NEW ORDERS)

REF. DES.	WANG PART NO.	WANG TYPE	DESCRIPTION	QUANTITY
210-0100	210-0100	IC	AND 3-INPUT POSITIVE AND GATE	
210-0101	210-0101	IC	AND 3-INPUT POSITIVE AND GATE	
210-0102	210-0102	IC	AND 3-INPUT POSITIVE AND GATE	
210-0103	210-0103	IC	AND 3-INPUT POSITIVE AND GATE	
210-0104	210-0104	IC	AND 3-INPUT POSITIVE AND GATE	
210-0105	210-0105	IC	AND 3-INPUT POSITIVE AND GATE	
210-0106	210-0106	IC	AND 3-INPUT POSITIVE AND GATE	
210-0107	210-0107	IC	AND 3-INPUT POSITIVE AND GATE	
210-0108	210-0108	IC	AND 3-INPUT POSITIVE AND GATE	
210-0109	210-0109	IC	AND 3-INPUT POSITIVE AND GATE	
210-0110	210-0110	IC	AND 3-INPUT POSITIVE AND GATE	
210-0111	210-0111	IC	AND 3-INPUT POSITIVE AND GATE	
210-0112	210-0112	IC	AND 3-INPUT POSITIVE AND GATE	
210-0113	210-0113	IC	AND 3-INPUT POSITIVE AND GATE	
210-0114	210-0114	IC	AND 3-INPUT POSITIVE AND GATE	
210-0115	210-0115	IC	AND 3-INPUT POSITIVE AND GATE	
210-0116	210-0116	IC	AND 3-INPUT POSITIVE AND GATE	
210-0117	210-0117	IC	AND 3-INPUT POSITIVE AND GATE	
210-0118	210-0118	IC	AND 3-INPUT POSITIVE AND GATE	
210-0119	210-0119	IC	AND 3-INPUT POSITIVE AND GATE	
210-0120	210-0120	IC	AND 3-INPUT POSITIVE AND GATE	
210-0121	210-0121	IC	AND 3-INPUT POSITIVE AND GATE	
210-0122	210-0122	IC	AND 3-INPUT POSITIVE AND GATE	
210-0123	210-0123	IC	AND 3-INPUT POSITIVE AND GATE	
210-0124	210-0124	IC	AND 3-INPUT POSITIVE AND GATE	
210-0125	210-0125	IC	AND 3-INPUT POSITIVE AND GATE	
210-0126	210-0126	IC	AND 3-INPUT POSITIVE AND GATE	
210-0127	210-0127	IC	AND 3-INPUT POSITIVE AND GATE	
210-0128	210-0128	IC	AND 3-INPUT POSITIVE AND GATE	
210-0129	210-0129	IC	AND 3-INPUT POSITIVE AND GATE	
210-0130	210-0130	IC	AND 3-INPUT POSITIVE AND GATE	

22

17

11

8.5

8.5

11

17

22

WANG LABORATORIES, INC. CPU AND MEMORY SCHEMATIC REVISION (1) : 01 SHEET 2 OF 4 PAGE 3

DESCRIPTION

REF. DES.	WANG PART NO.	WANG TYPE	DESCRIPTION	QUANTITY
L140	210-0000	PCB	PC BOARD 3-INPUT AND GATE	1
L141	210-0000			
L142	210-0000			
L143	210-0000			
L144	210-0000			
L145	210-0000			
L146	210-0000			
L147	210-0000			
L148	210-0000			
L149	210-0000			
L150	210-0000			
L151	210-0000			
L152	210-0000			
L153	210-0000			
L154	210-0000			
L155	210-0000			
L156	210-0000			
L157	210-0000			
L158	210-0000			
L159	210-0000			
L160	210-0000			
L161	210-0000			
L162	210-0000			
L163	210-0000			
L164	210-0000			
L165	210-0000			
L166	210-0000			
L167	210-0000			
L168	210-0000			
L169	210-0000			
L170	210-0000			
L171	210-0000			
L172	210-0000			
L173	210-0000			
L174	210-0000			
L175	210-0000			
L176	210-0000			
L177	210-0000			
L178	210-0000			
L179	210-0000			
L180	210-0000			

WANG LABORATORIES, INC. CPU AND MEMORY SCHEMATIC REVISION (1) : 01 SHEET 2 OF 4 PAGE 3

DESCRIPTION

(CAUTION - THE FOLLOWING PARTS/COMPONENTS CONTAINED IN THIS D.D.R. ARE NOT ORDERED FOR NEW ORDERS)

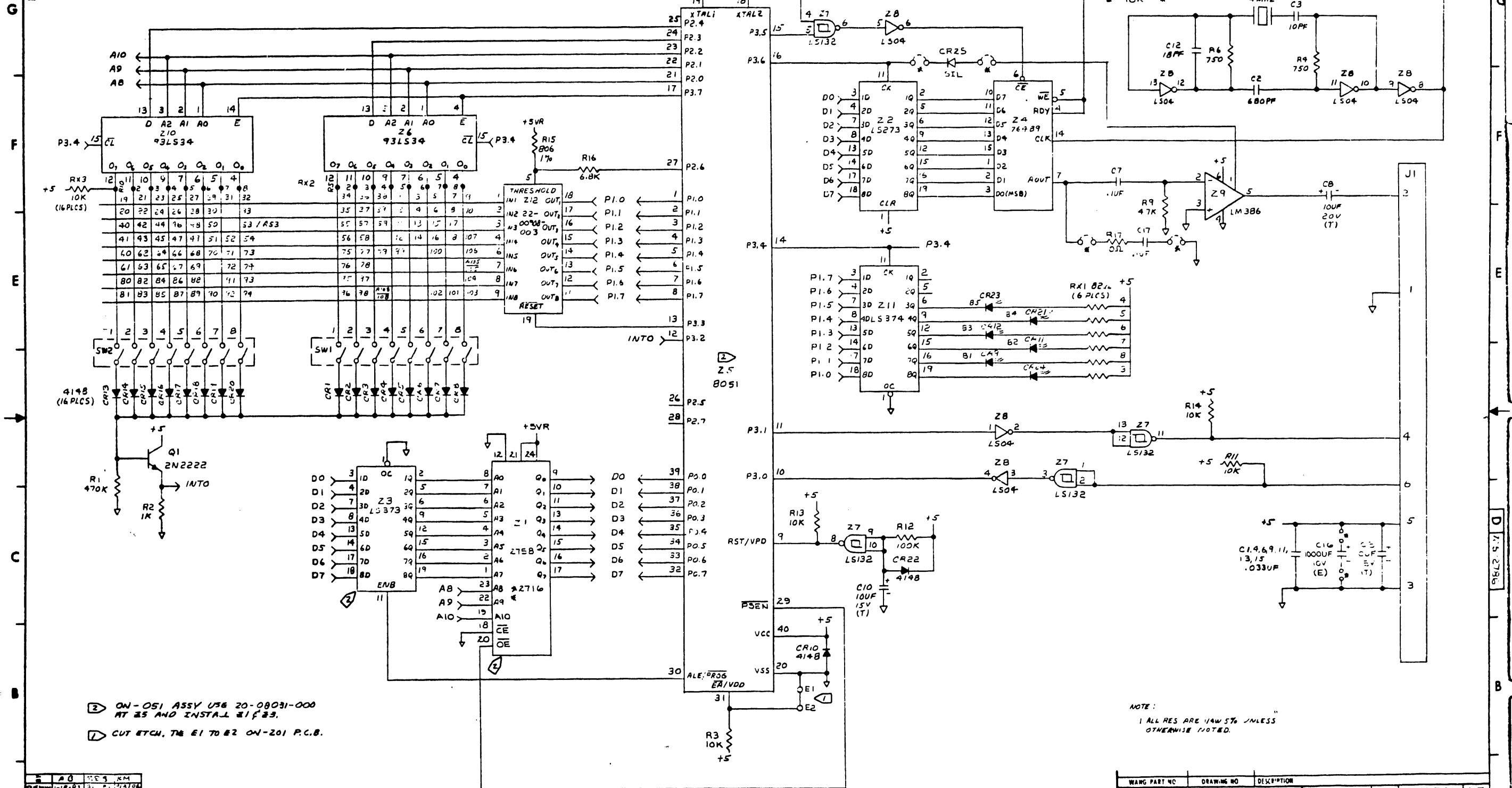
REF. DES.	WANG PART NO.	WANG TYPE	DESCRIPTION	QUANTITY
210-0200	210-0200	IC	AND 3-INPUT POSITIVE AND GATE	
210-0201	210-0201	IC	AND 3-INPUT POSITIVE AND GATE	
210-0202	210-0202	IC	AND 3-INPUT POSITIVE AND GATE	
210-0203	210-0203	IC	AND 3-INPUT POSITIVE AND GATE	
210-0204	210-0204	IC	AND 3-INPUT POSITIVE AND GATE	
210-0205	210-0205	IC	AND 3-INPUT POSITIVE AND GATE	
210-0206	210-0206	IC	AND 3-INPUT POSITIVE AND GATE	
210-0207	210-0207	IC	AND 3-INPUT POSITIVE AND GATE	
210-0208	210-0208	IC	AND 3-INPUT POSITIVE AND GATE	
210-0209	210-0209	IC	AND 3-INPUT POSITIVE AND GATE	
210-0210	210-0210	IC	AND 3-INPUT POSITIVE AND GATE	
210-0211	210-0211	IC	AND 3-INPUT POSITIVE AND GATE	
210-0212	210-0212	IC	AND 3-INPUT POSITIVE AND GATE	
210-0213	210-0213	IC	AND 3-INPUT POSITIVE AND GATE	
210-0214	210-0214	IC	AND 3-INPUT POSITIVE AND GATE	
210-0215	210-0215	IC	AND 3-INPUT POSITIVE AND GATE	
210-0216	210-0216	IC	AND 3-INPUT POSITIVE AND GATE	
210-0217	210-0217	IC	AND 3-INPUT POSITIVE AND GATE	
210-0218	210-0218	IC	AND 3-INPUT POSITIVE AND GATE	
210-0219	210-0219	IC	AND 3-INPUT POSITIVE AND GATE	
210-0220	210-0220	IC	AND 3-INPUT POSITIVE AND GATE	
210-0221	210-0221	IC	AND 3-INPUT POSITIVE AND GATE	
210-0222	210-0222	IC	AND 3-INPUT POSITIVE AND GATE	
210-0223	210-0223	IC	AND 3-INPUT POSITIVE AND GATE	
210-0224	210-0224	IC	AND 3-INPUT POSITIVE AND GATE	
210-0225	210-0225	IC	AND 3-INPUT POSITIVE AND GATE	
210-0226	210-0226	IC	AND 3-INPUT POSITIVE AND GATE	
210-0227	210-0227	IC	AND 3-INPUT POSITIVE AND GATE	
210-0228	210-0228	IC	AND 3-INPUT POSITIVE AND GATE	
210-0229	210-0229	IC	AND 3-INPUT POSITIVE AND GATE	
210-0230	210-0230	IC	AND 3-INPUT POSITIVE AND GATE	

WANG LABORATORIES, INC.

BY	DATE	APPROVED BY	DATE
CHE	11/20/60	ANG ENGR	
CHE		ANG ENGR	
MATERIAL		MODEL NO	
310-9521-0		210-9521	
TITLE		CPU/MEMORY	
PARTS		2	
SCALE	SHEET 2 OF 4	WANG PART NUMBER	QUANTITY
			2

THIS DRAWING AND THE DATA SHOWN THERE ON ARE THE CONFIDENTIAL PROPERTY OF AND ARE PROPRIETARY TO WANG LABORATORIES, INC. THE DRAWING AND THE DATA SHOWN THEREON MAY NOT BE MADE PUBLIC WITHOUT THE WRITTEN CONSENT OF WANG LABORATORIES, INC. IF FOR ANY REASON THIS DRAWING IS PERMITTED BY WANG TO LEAVE THE PHYSICAL CUSTODY OF THE COMPANY, IT IS RETURNABLE UPON THE DEMAND OF WANG LABORATORIES, INC.

DO NOT SCALE



② ON-051 ASSY USE 20-08031-000 AT 25 AND INSTALL #1723.
 Ⓛ CUT ETCH. THE E1 TO E2 ON-201 P.C.B.

NOTE:
 1 ALL RES ARE 1/4W 5% UNLESS OTHERWISE NOTED.

* ADD JUMPERS & COMPONENTS PER ECO# 26683
 ** CHANGE Z1 FROM 275B TO C716 PER ECO# 26683

REV	DATE	BY	DESCRIPTION
1	11-18-81
2

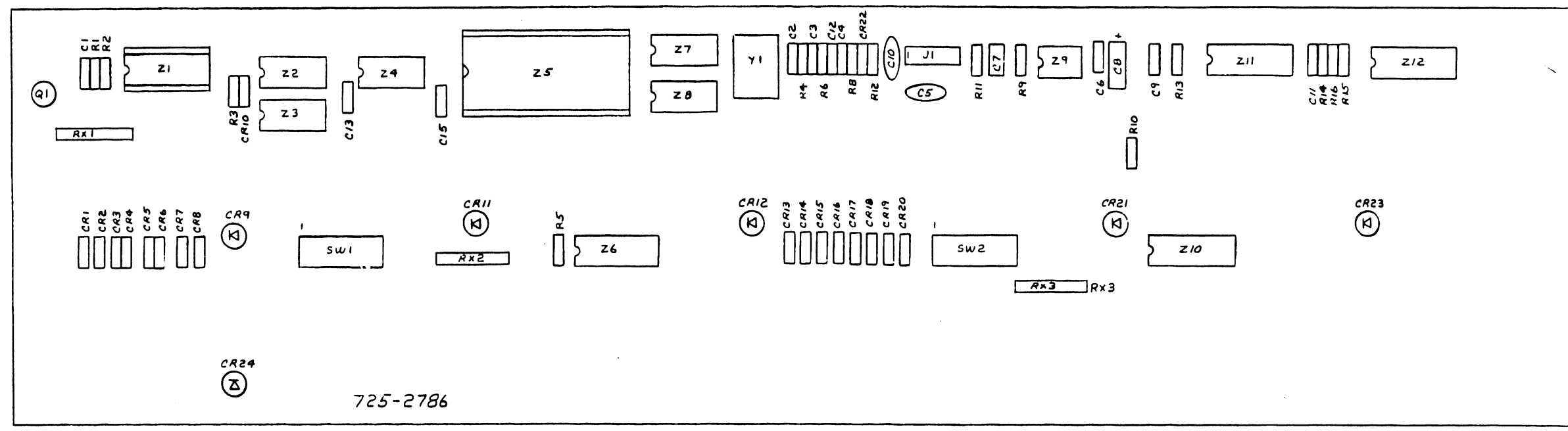
WANG PART NO	DRAWING NO	DESCRIPTION	BY	DATE	APPROVED BY	DATE
...
MATERIAL		MODEL NO	TITLE			
FINISH		...	KEYBOARD SCHM			

7.5-2966

PP1

THIS DRAWING AND THE DATA SHOWN THERE ON ARE THE CONFIDENTIAL PROPERTY OF AND ARE PROPRIETARY TO WANG LABORATORIES, INC. THIS DRAWING AND THE DATA SHOWN THEREON MAY NOT BE MADE PUBLIC WITHOUT THE WRITTEN CONSENT OF WANG LABORATORIES, INC. IF FOR ANY REASON THIS DRAWING IS REPRODUCED BY ANY OTHER PARTY, IT IS HEREBY AGREED BY WANG TO LEAVE THE PHYSICAL CUSTODY OF THE COMPANY. IT IS RETURNABLE UPON THE DEMAND OF WANG LABORATORIES, INC.

DO NOT SCALE



725-2786

COMPONENT	TYPE	WL PART NO.	COMPONENT	TYPE	WL PART NO.
Z1	2716	377-0398	C3	100F 500V	300-1010
Z2	74LS273	376-0302	C5,10	100F 35V(T)	300-4032
Z3	74LS373	376-0310	C7	100F 100V	300-723
Z4	76489	376-0586	C8	100F 20V(T)	300-4065
Z5	8051	377-4000	C12	100PF 50V	300-1769
Z6,10	73LS34		C16	1000UF 10V(T)	300-3146
Z7	74LS132	376-0473	CR1-B 10, 13-20, 22	1N4148	380-1014
Z8	74LS04	376-0180	CR9, 11, 12, 21, 23	LAMP, RED	370-0031
Z9	LM386	376-0585	CR9, 11, 12, 21, 23	SPACER RD	462-0638
Z11	74LS374	376-0286	CR24	LED RED	370-0064
Z12	708	377-0967	CR25	SIL	380-1001
R1	470Ω 1/4W 5%	330-5098	C17	100F 12V	300-1901
R2	1K 1/4W 5%	330-3011	J1	6 PIN CAVN	726-3454
R3,5,10,11,13,14,18	10K 1/4W 5%	330-4011	SW1, 2	8 POS DIP	325-1503
R4,6	750Ω 1/4W 5%	330-2076	Y1	4.00MHZ	321-0039
R7	1.5K 1/4W 5%	330-3016	Z1	24 PIN SKT	376-7003
R8	1.5K 1/4W 5%	330-3016	Z5	40 PIN SKT	376-9011
R9	4.7K 1/4W 5%	330-3098	Q1	2N2222	375-1005
R12	100K 1/4W 5%	330-5011			
R15	306Ω 1/4W 1%	333-0221			
R16	6.8K 1/4W 5%	330-3069			
RX1	82Ω 51P	333-0850			
RX2,3	10K 51P	333-0827			
R17	10.2 1/4W 5%	300-1011			
C1, 4, 6, 9, 11, 13, 15	.033UF 400V	300-2412			
C2	680PF	300-1682			

WANG PART NO.	DRAWING NO.	DESCRIPTION	BY	DATE	APPROVED BY	DATE
WANG		WANG LABORATORIES, INC. LOVELL, MA, U.S.A.	DWN	7-1	ENGR	
MATERIAL	MODEL NO.	SEE ENG'G SPECIFICATIONS	CHK		M. T. JR.	
FINISH	TOL. EX. AS NOTED HOLE & DRILLING HOLE & DRILLING HOLE & DRILLING					
	SCALE	1" = 1"				

REVISION
SEE SHT 1
PP2

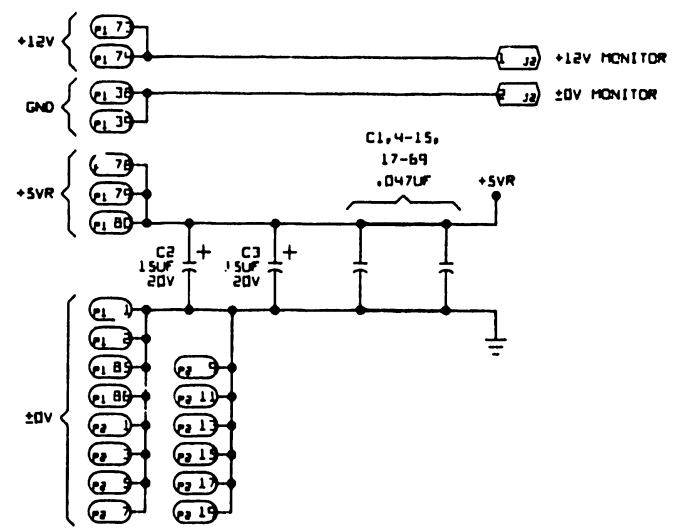
D 725-2786

THIS DRAWING AND THE DATA THEREON ARE THE CONFIDENTIAL PROPERTY OF, AND ARE PROPRIETARY TO, WANG LABORATORIES, INC. THIS DRAWING AND THE DATA THEREON SHOULD NOT BE MADE PUBLIC WITHOUT THE WRITTEN CONSENT OF WANG LABORATORIES, INC. IF YOU ARE RECEIVING THIS DRAWING IN CONNECTION WITH A CONTRACT, THE CONFIDENTIALITY OF THE COMPANY IS TO BE MAINTAINED WITHIN THE SCOPE OF SAID CONTRACT, ETC.

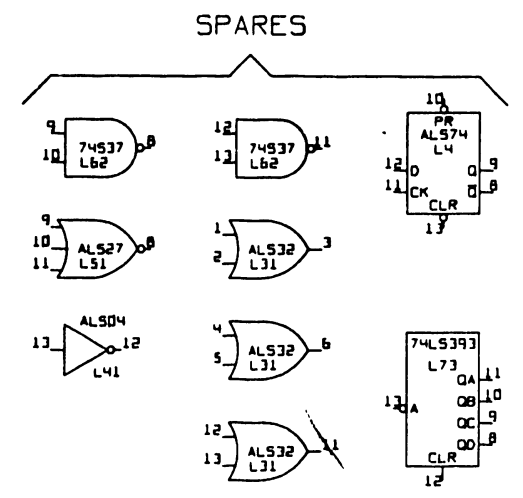
MNEMONICS	COORD.
ATDPC	3B11
ALE	3B11
ATDPC	3B11
AD-A7	2D10
AB-A15	2C10
A16-A19	2B10
EPIC	2A10
BITMAP	2C1
BLANKD	7E1
CLK	3B11
DCLOCK	7A1
DEN	2A10
DISP	7A1
DT/R	2A10
DD-D7	2G10
DA-D15	2F10
GHVIDEO	7C11
HACK	2A10
HYSN	8D2
ID	2G8
INTN	8D2
INTN	8D1
TORC	3B11
T/DETERM	4E1
TROJ	2F1
PRDC	3B11
RDY	4E1
RESET	3B11
SAD	3B11
S100-S107	3D11
VIDEO	8D2
VIDEO	8D1
VSYN	8D2
VSYN	8D1
VSYNC	5A1

210 = 209 + 377 OR 378			
210-A	209	478,90	L102
2443-A	9443	377-0522	377-0473

NO	DATE	BY	DSS	DSS	DSS
			5-8-84	5-8-84	8-3-84
REVISION			ORIGINATED PER DWR NO. E2317 APPR:	REVISED PER DEC-R 00206 CHART	REVISED PER ETO NO. 333750 CHART
NO	A				



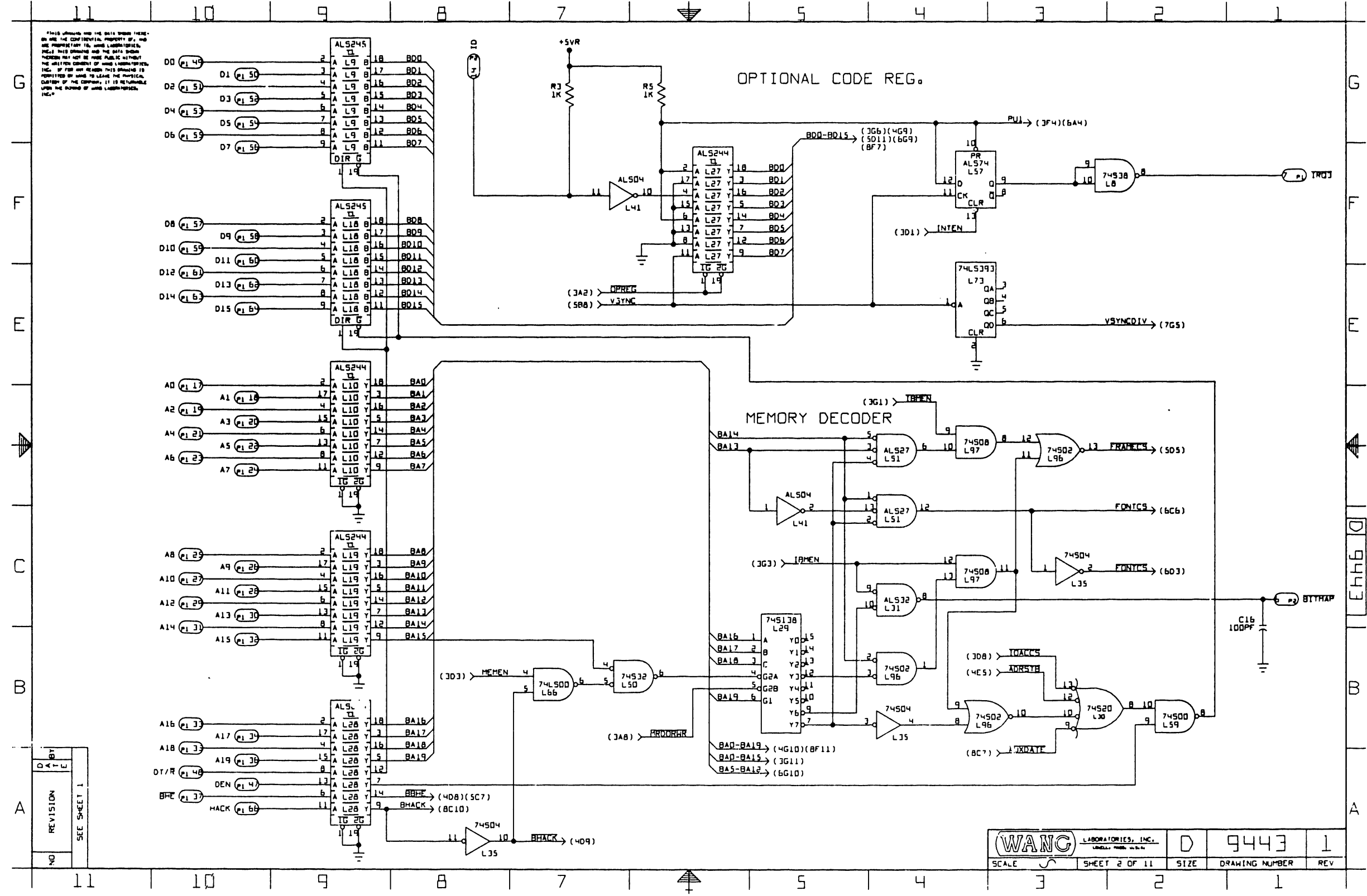
- NOTES
1. ALL RESISTOR VALUES IN OHMS.
 2. ALL CAPACITOR VALUES IN MICROFARADS UNLESS OTHERWISE INDICATED.
 3. ALL RESISTORS 1/4W 5% UNLESS OTHERWISE INDICATED.



WANG LABORATORIES, INC. <small>LONG BEACH, CALIF. U.S.A.</small>		SCHEMATIC DIAGRAM		
TITLE		P.C. EMULATOR M/L		
MODE NUMBER	WANG PART NUMBER	OWN	DSS	CHK
	PBC SEE CHART		ENG	DIR
SCALE	SHEET 1 OF 11	D	9443	1
		SIZE	DRAWING NUMBER	REV

QQ1

THIS DRAWING AND THE DATA THEREON ARE THE CONFIDENTIAL PROPERTY OF WANG LABORATORIES, INC. AND SHOULD NOT BE MADE PUBLIC WITHOUT THE WRITTEN CONSENT OF WANG LABORATORIES, INC. IF FOR ANY REASON THIS DRAWING IS REPRODUCED BY ANY OTHER PARTY, THE LIABILITY OF THE COMPANY IS NOT TRANSFERRED TO THE DRAWING OF WANG LABORATORIES, INC.

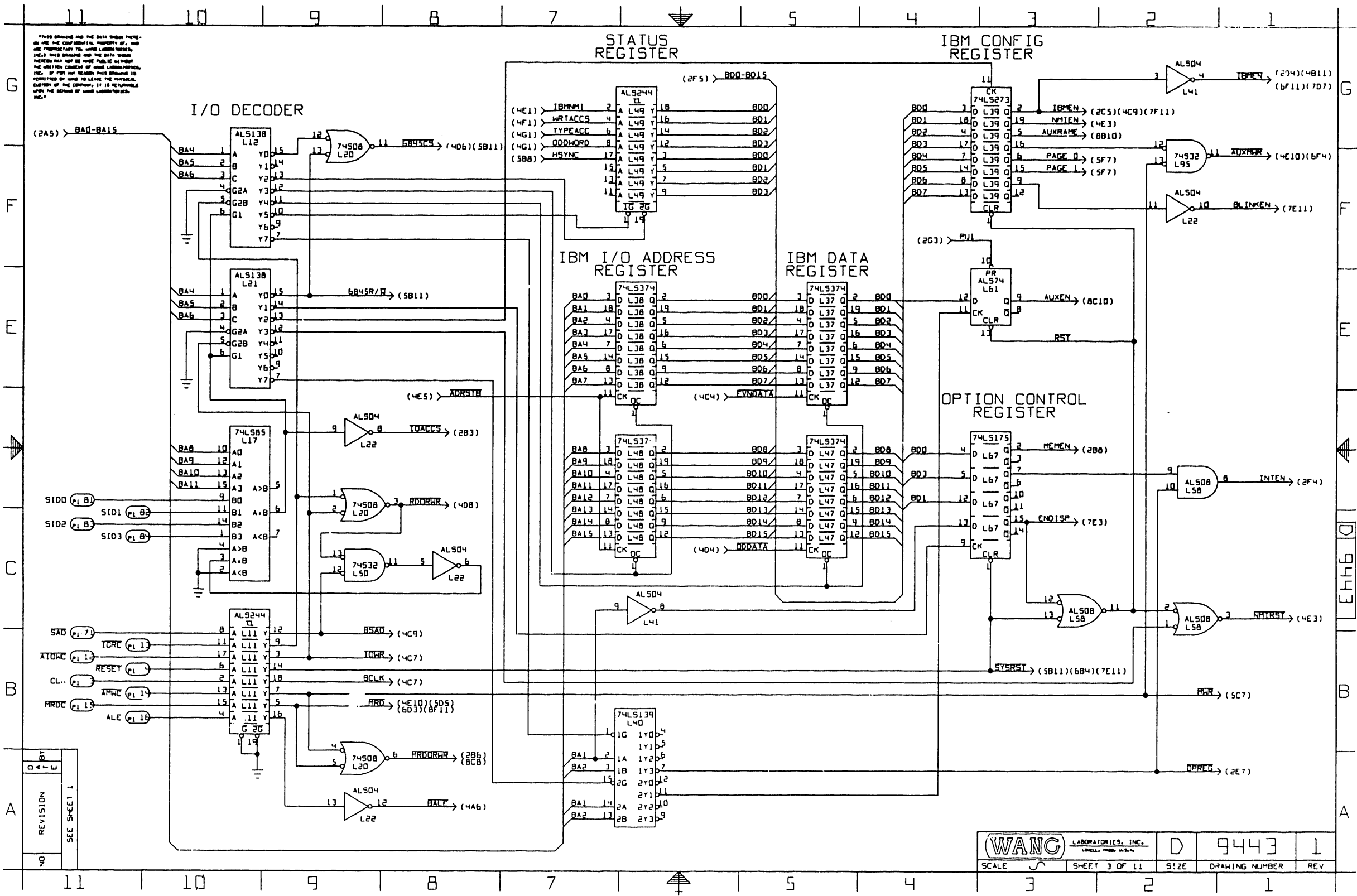


NO	REVISION	DATE	BY
	SEE SHEET 1		

WANG LABORATORIES, INC.		D	9443	1
SCALE	SHEET 2 OF 11	SIZE	DRAWING NUMBER	REV

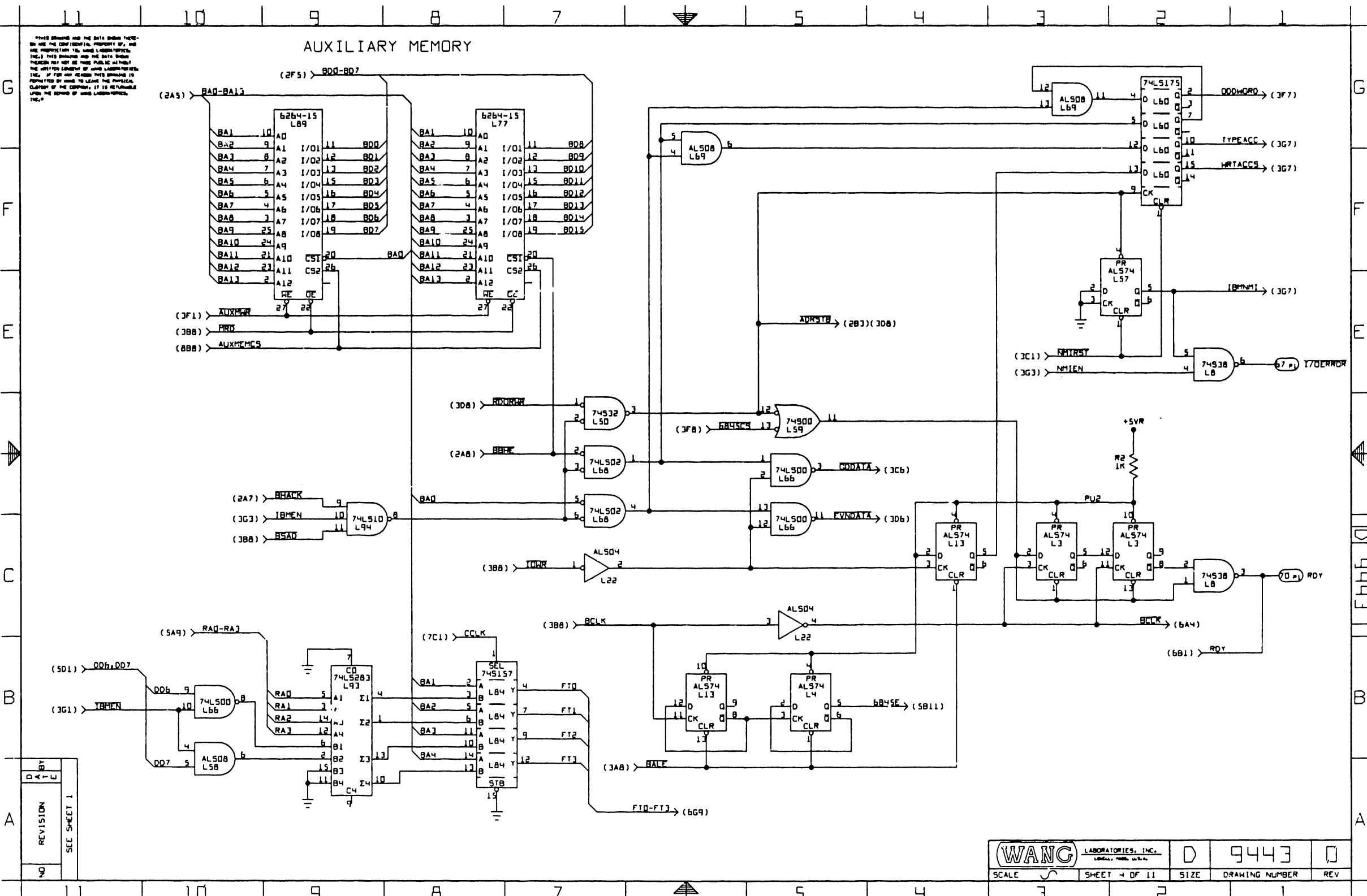
QQ2

THIS DRAWING AND THE DATA THEREON ARE THE CONFIDENTIAL PROPERTY OF, AND ARE PROPRIETARY TO, WANG LABORATORIES, INC. THIS DRAWING AND THE DATA THEREON SHALL NOT BE MADE PUBLIC IN ANY MANNER WITHOUT THE WRITTEN CONSENT OF WANG LABORATORIES, INC. IF YOU AND READER THIS DRAWING IS REPRODUCED BY YOU TO LEAVE THE PHYSICAL QUALITY OF THE COPY, IT IS RETURNABLE TO THE OFFICE OF WANG LABORATORIES, INC.



NO	REVISION
	SEE SHEET 1

WANG	LABORATORIES, INC.	D	9443	1
SCALE	SHEET 3 OF 11	SIZE	DRAWING NUMBER	REV

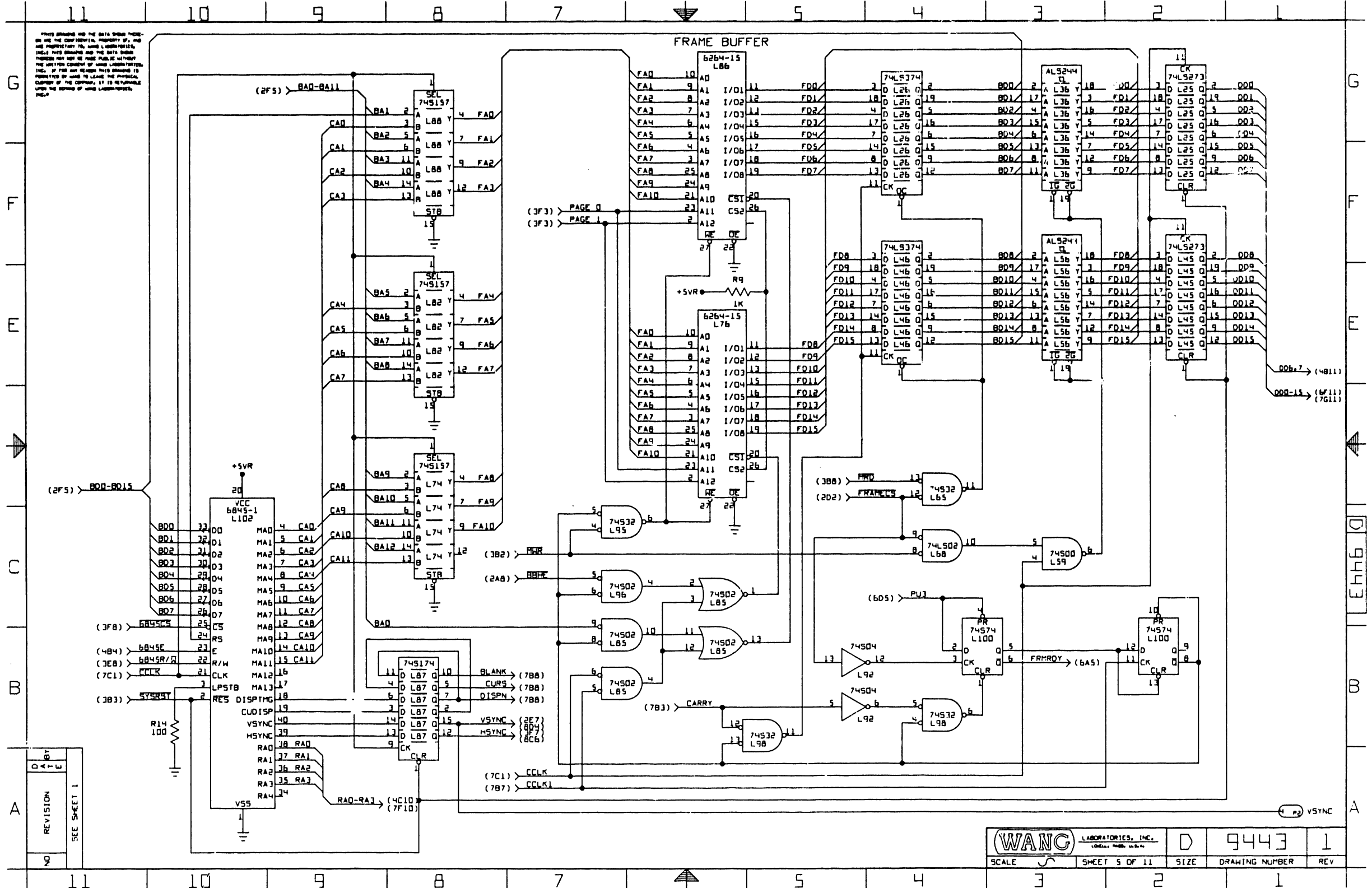


THIS DRAWING AND THE DATA SHOWN THEREON ARE THE CONFIDENTIAL PROPERTY OF WANG LABORATORIES, INC. AND ARE NOT TO BE REPRODUCED OR TRANSMITTED IN ANY FORM OR BY ANY MEANS, ELECTRONIC OR MECHANICAL, INCLUDING PHOTOCOPYING, RECORDING, OR BY ANY INFORMATION STORAGE AND RETRIEVAL SYSTEM, WITHOUT THE WRITTEN CONSENT OF WANG LABORATORIES, INC. IF FOR ANY REASON THIS DRAWING IS REPRODUCED OR TRANSMITTED IN ANY FORM OR BY ANY MEANS, IT IS RETURNABLE TO WANG LABORATORIES, INC.

REV	BY
2	W
REVISION	
SEE SHEET 1	

WANG LABORATORIES, INC.		D	9443	D
SCALE	SHEET 4 OF 11	SIZE	DRAWING NUMBER	REV

QQ4



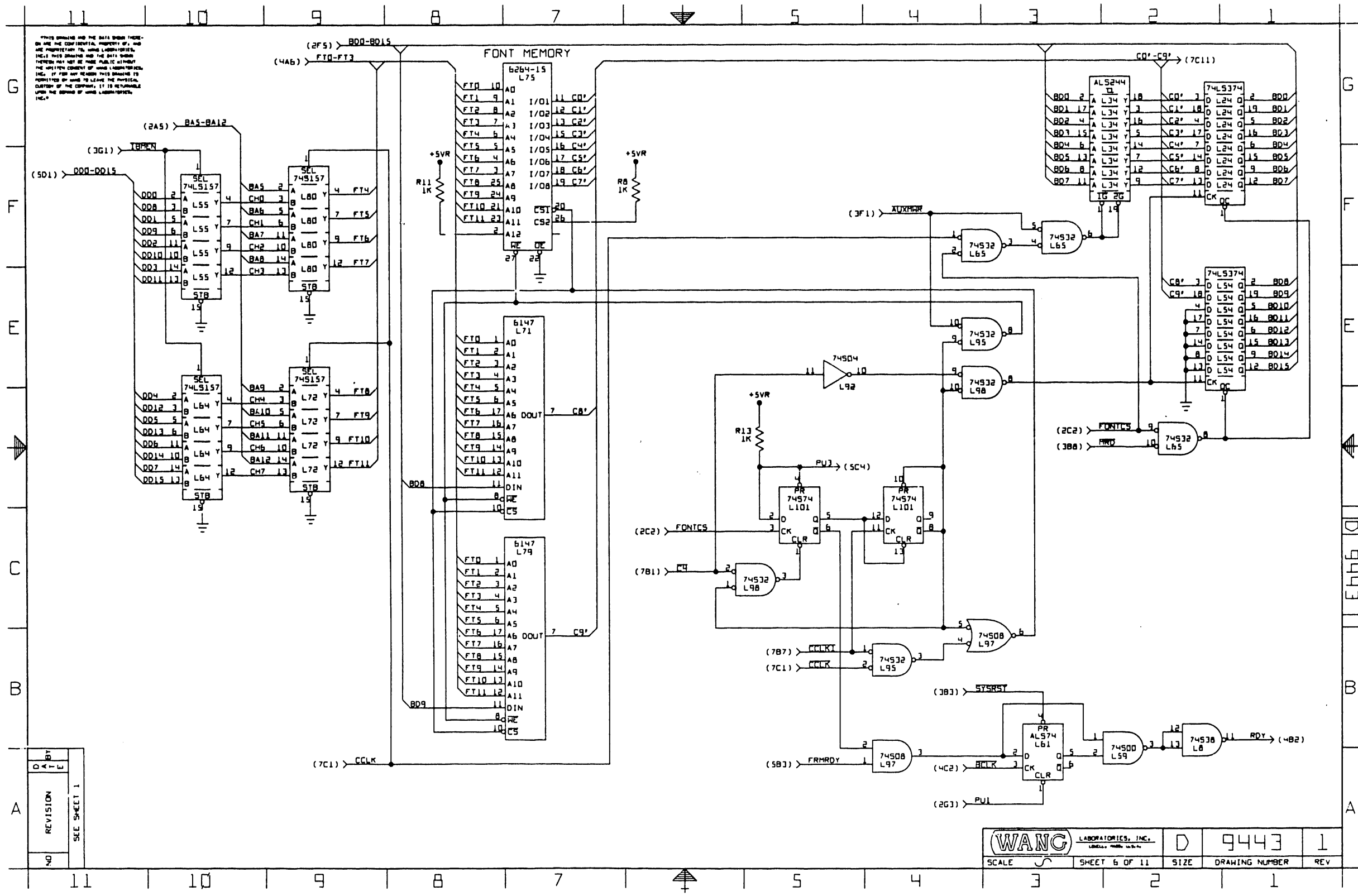
THIS DRAWING AND THE DATA THEREIN ARE THE CONFIDENTIAL PROPERTY OF WANG LABORATORIES, INC. AND SHOULD BE KEPT AS SUCH. THIS DRAWING AND THE DATA THEREIN SHOULD NOT BE MADE PUBLIC IN ANY MANNER WITHOUT THE WRITTEN CONSENT OF WANG LABORATORIES, INC. IF FOR ANY REASON THIS DRAWING IS REPRODUCED OR USED TO LAUNCH THE PHYSICAL EQUIPMENT OF THE COMPANY, IT IS HEREBY UNDERSTOOD THAT THE USER ASSUMES ALL LIABILITY THEREFOR.

NO	REVISION	DATE
	SEE SHEET 1	

WANG LABORATORIES, INC.		D	9443	1
SCALE	SHEET 5 OF 11	SIZE	DRAWING NUMBER	REV

QQ5

THIS DRAWING AND THE DATA THEREON ARE THE CONFIDENTIAL PROPERTY OF, AND ARE PROPRIETARY TO, WANG LABORATORIES, INC. NO PART OF THIS DRAWING OR THE DATA THEREON SHALL BE REPRODUCED, COPIED, EITHER WHOLLY OR IN PART, OR IN ANY MANNER WITHOUT THE WRITTEN CONSENT OF WANG LABORATORIES, INC. IF FOR ANY REASON THIS DRAWING IS REPRODUCED OR USED TO LEAVE THE POSSESSION OF THE COMPANY, IT IS RETURNABLE TO THE ORDER OF WANG LABORATORIES, INC.

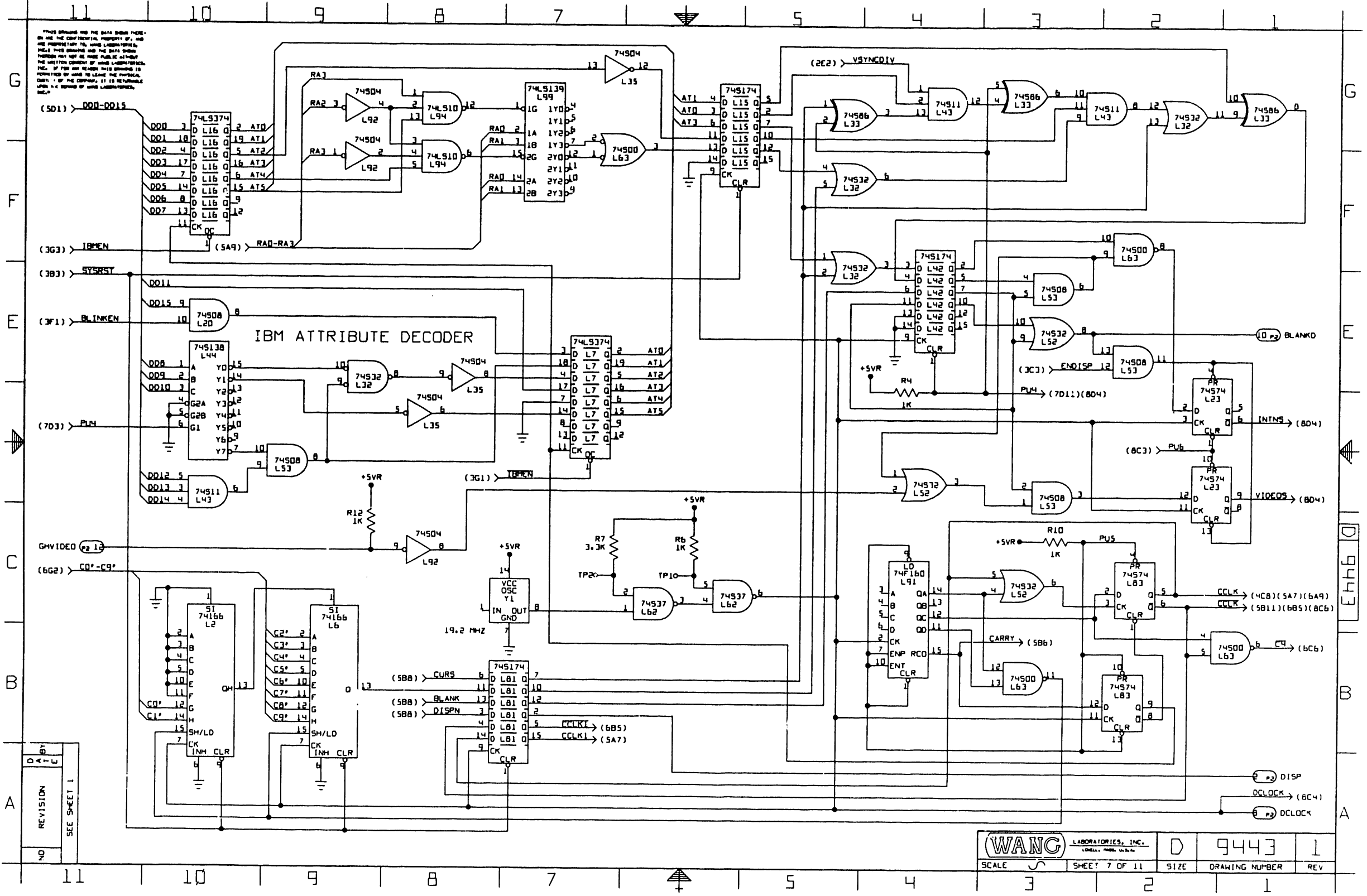


NO	DATE	REVISION

SEE SHEET 1

WANG LABORATORIES, INC.		D	9443	1
SCALE	SHEET 6 OF 11	SIZE	DRAWING NUMBER	REV

QQ6



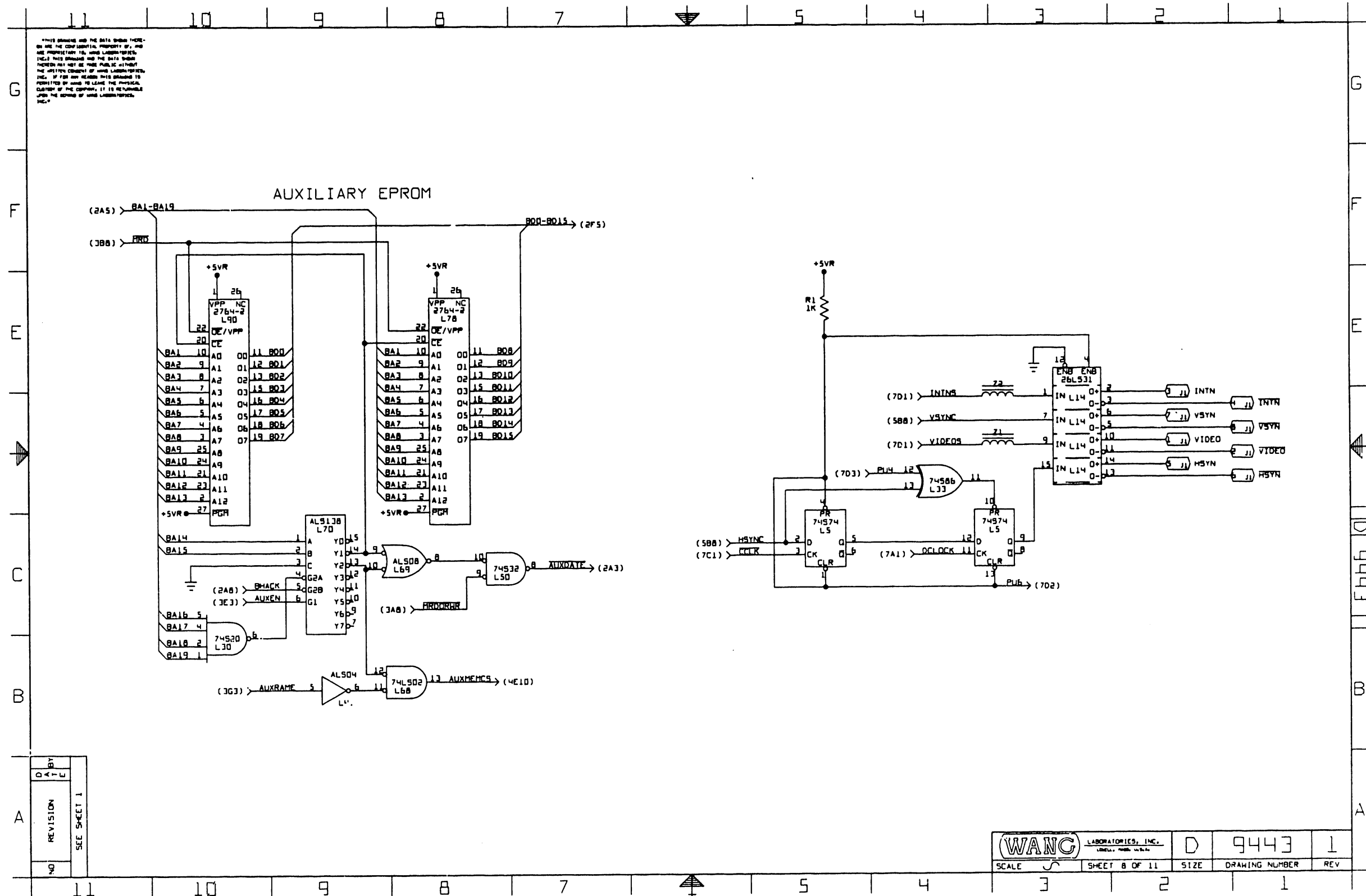
THIS DRAWING AND THE DATA THEREON ARE THE CONFIDENTIAL PROPERTY OF WANG LABORATORIES, INC. AND ARE NOT TO BE REPRODUCED OR TRANSMITTED IN ANY FORM OR BY ANY MEANS, ELECTRONIC OR MECHANICAL, INCLUDING PHOTOCOPYING, RECORDING, OR BY ANY INFORMATION STORAGE AND RETRIEVAL SYSTEM, WITHOUT THE WRITTEN CONSENT OF WANG LABORATORIES, INC. IF YOU ARE READING THIS DRAWING IN CONNECTION WITH THE PURCHASE OF ANY OF THE PRODUCTS OF WANG LABORATORIES, INC., IT IS HEREBY AGREED THAT YOU WILL HOLD WANG LABORATORIES, INC. HARMLESS FROM ANY AND ALL CLAIMS, DAMAGES, LOSSES AND EXPENSES, INCLUDING REASONABLE ATTORNEY'S FEES, THAT MAY BE ASSERTED AGAINST WANG LABORATORIES, INC. BY ANY THIRD PARTY AS A RESULT OF YOUR USE OF THIS DRAWING.

NO	REVISION	DATE	BY	SEE SHEET

WANG LABORATORIES, INC. ORIGINALLY MANUFACTURED IN U.S.A.		D	9443	1
SCALE	SHEET 7 OF 11	SIZE	DRAWING NUMBER	REV

QQ7

THIS DRAWING AND THE DATA SHOWN THERE-
 ON ARE THE CONFIDENTIAL PROPERTY OF, AND
 ARE PROPRIETARY TO, WANG LABORATORIES,
 INC. THIS DRAWING AND THE DATA SHOWN
 THEREON ARE NOT TO BE MADE PUBLIC WITHOUT
 THE WRITTEN CONSENT OF WANG LABORATORIES,
 INC. IF FOR ANY REASON THIS DRAWING IS
 REPRODUCED BY ANY OTHER PARTY, THE
 LIABILITY OF THE COMPANY, IT IS HEREBY
 WAIVED THE SIGNATURE OF WANG LABORATORIES,
 INC.



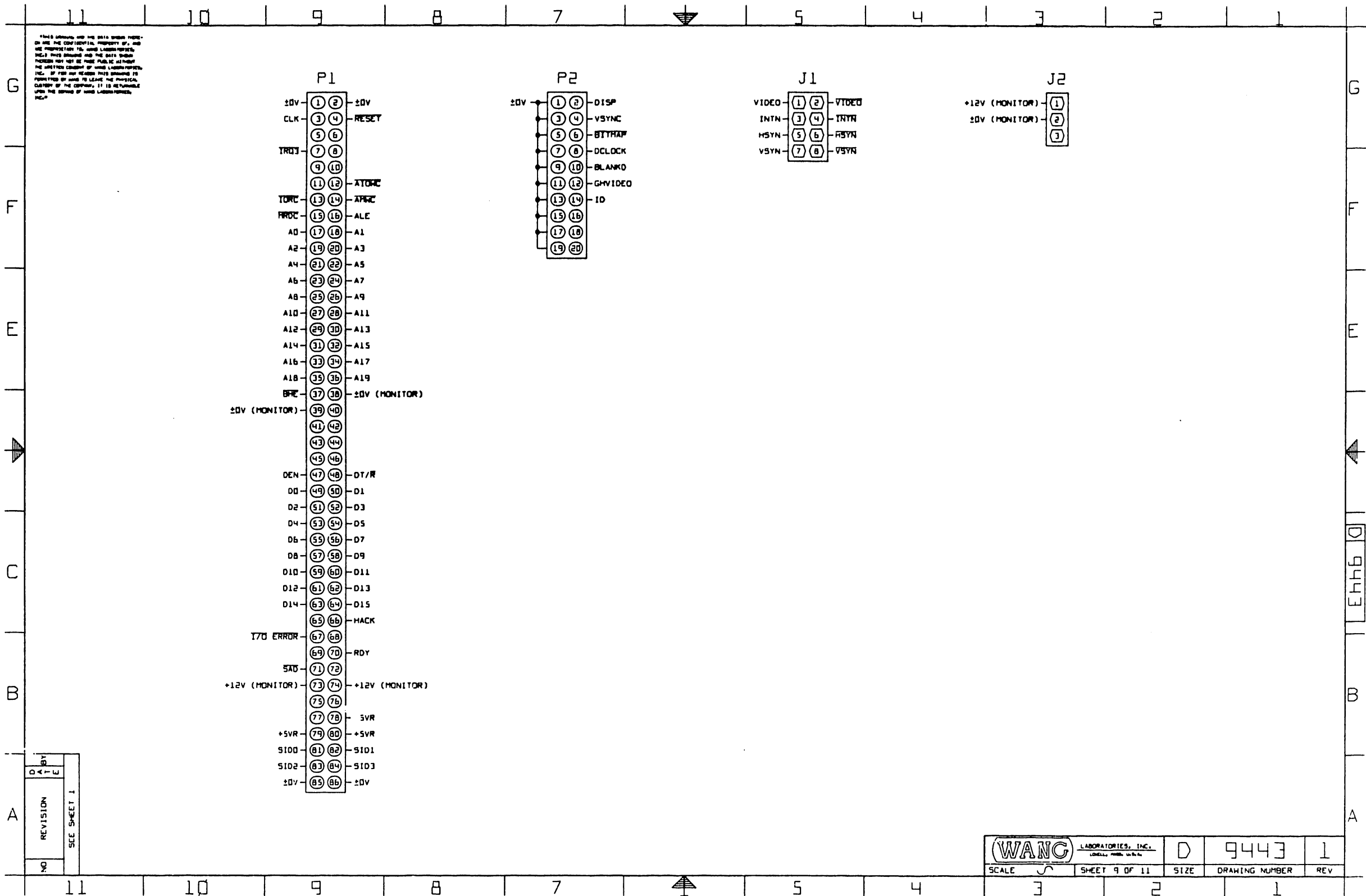
NO	REVISION	DATE	BY

SEE SHEET 1

WANG LABORATORIES, INC.		D	9443	1
SCALE	SHEET 8 OF 11	SIZE	DRAWING NUMBER	REV

QQ8

THIS DRAWING AND THE DATA THEREON ARE THE CONFIDENTIAL PROPERTY OF, AND ARE PROPRIETARY TO, WANG LABORATORIES, INC. ANY DISCLOSURE OR THE DATA THEREON WITHOUT THE WRITTEN CONSENT OF WANG LABORATORIES, INC. IS PROHIBITED. THIS DRAWING IS TO BE KEPT UNDER LOCK AND KEY AND IS TO BE RETURNED TO THE OFFICE OF THE COMPANY, IF IT IS RETURNABLE, UPON THE DEMAND OF WANG LABORATORIES, INC.



NO	REVISION	SEE SHEET 1

WANG LABORATORIES, INC.		D	9443	1
SCALE	SHEET 9 OF 11	SIZE	DRAWING NUMBER	REV

QQ9

WANG LABORATORIES, INC.

***** ELECTRICAL PARTS LIST ***** SHEET OF PAGE 1

(FINAL BILL-OF-MATERIALS)

BOARD NO. & TITLE: C9443 P.C. EMULATOR M/L
 ASSEMBLY LEVEL & TITLE: 209
 PARTING REVISION (R): 01
 ASSEMBLY REVISION (A): 01
 SCHEMATIC REVISION (S): 01
 DNR OR MOST RECENT ECD: 333750

CREATED: 07/25/84 13:30
 LAST MODIFIED: 08/20/84 11:53 BY: LAB
 DWTING REVISION: 2

REF. DES.	WANG PART NO.	VALUE/TYPER	DESCRIPTION	DRAWING NO.	QTY.
C16	300-1180-	100P	CAP CERAMIC DISC 10% 50V M470		1
C46	300-1033-	.1U	CAP CERAMIC MONO AXIAL LEADED +80% -20% 50V Z5U		9
C89 - C93					
C87					
C88 - C81					
C1	300-1966-	.047U	CAP CERAMIC MONO AXIAL +80 -20% 50V Z5U		87
C8 - C18					
C17 - C48					
C49 - C48					
C34 - C38					
C34 - C39					
C42 - C49					
C2 - C3	300-4022-	15U	CAP TANT AXIAL 10% 20V		2
Y1	321-1007-	19.2000	CLOCK OSCILLATOR 19.2 MHZ .05% TTL		1
R14	330-2011-	100.000	RES FIXED METAL FILM 1/4W 5% 200PPM		1
R1 - R6	330-3011-	1K	RES FIXED METAL FILM 1/4W 5% 200PPM		12
R6 - R13					
R7	330-3034-	3.3K	RES FIXED METAL FILM 1/4W 5% 200PPM		1
J2	350-0539-	3 COMT	SIMILAR TO 350-0507 EXCEPT METAL-FACE .775 IN		1
J1	350-0542-	8 COMT	SIMILAR TO 350-0510 EXCEPT METAL-FACE .775 IN		1
L2	376-0109-	74166	IC 8-BIT SHIFT REGISTER		2
L6					
L69	376-0160-	74LS178	IC QUAD D-TYPE FLIP-FLOP		2
L67					
L38	376-0197-	74504	IC HEX INVERTER		2
L92					
L88	376-0199-	74502	IC QUAD 2-INPUT POSITIVE-NOR GATES		2
L96					
L70	376-0200-	74508	IC QUAD 2 INPUT POSITIVE AND GATES		3
L83					
L2	376-0202-	74570	IC DUAL D-TYPE POS EDGE TRIGRD F/F W/PRESET/C		6
L73					
L83					
L100 - L101					
L32	376-0208-	74532	IC QUAD 2-INPUT OR GATE		6
L80					
L82					

BOARD NO. & TITLE: C9443 P.C. EMULATOR M/L
 SCHEMATIC REVISION (S): 01
 SHEET OF PAGE 2

REF. DES.	WANG PART NO.	VALUE/TYPER	DESCRIPTION	DRAWING NO.	QTY.
L68					
L98					
L96					
L66	376-0207-	74LS08	IC QUAD 2-INPUT NAND GATE		1
L68	376-0208-	74LS02	IC QUAD 2-INPUT NOR GATE		1
L90	376-0209-	74LS10	IC TRIPLE 3-INPUT POS NAND GATES		1
L88	376-0216-	74LS157	IC QUAD 2-INPUT MULTIPLEXER		2
L64					
L72	376-0217-	74LS167	IC QUAD 2 TO 1 LINE DATA SEL/MUL		6
L74					
L80					
L82					
L84					
L86					
L17	376-0218-	74LS88	IC 4-BIT MAGNITUDE COMPARATOR		1
L40	376-0220-	74LS139	IC 2-TO-4-LINE DECODER/MULTIPLEXER		2
L99					
L59	376-0220-	74500	IC QUAD 2-INPUT NAND GATE		2
L63					
L30	376-0238-	74520	IC DUAL 4-INPUT POSITIVE NAND GATE		1
L43	376-0237-	74511	IC TRIPLE 3-INPUT AND GATE		1
L18	376-0247-	745174	IC HEX D-TYPE FLIP-FLOP		6
L42					
L81					
L87					
L33	376-0271-	74586	IC QUAD 2 IN EXCLUSIVE OR GATE		1
L7	376-0284-	74LS374	IC OCTAL D-TYPE FLIP-FLOP TRI-STATE		16
L16					
L24					
L26					
L37 - L38					
L46 - L48					
L54					
L62	376-0296-	74537	IC QUAD 2-INPUT NAND BUFFER		1
L29	376-0298-	745138	IC 3-LINE TO 8-LINE DECODER/MULTIPLEXER		2
L64					
L25	376-0302-	74LS273	IC OCTAL D-TYPE FLIP-FLOP W/CLEAR		1
L39					
L48					
L73	376-0307-	74LS393	IC DUAL 4-BIT BINARY COUNTER		1
L93	376-0332-	74LS283	IC 4-BIT BINARY FULL ADDER		1
L14	376-0470-	26LS31	IC QUAD LINE DRIVER 16 PIN DIP		1
L8	376-0511-	74530	IC QUAD 2-INPUT POS NAND BUFFER O/C OUTPUT		1
L81	376-0642-	74ALS27	IC TRIPLE 3-INPUT POSITIVE NOR GATE		1
L9	376-0643-	74ALS248	IC OCT BUS TRANSCIEVER W/3-STATE OCTPUTS		2
L10					
L10 - L11	376-0730-	74ALS244	IC OCTAL BUFFR/LIN DRIVR W/3-STAT OUTPUTS		9
L19					
L27 - L28					
L34					

BOARD NO. & TITLE: C9443 P.C. EMULATOR M/L
 SCHEMATIC REVISION (S): 01
 SHEET OF PAGE 3

REF. DES.	WANG PART NO.	VALUE/TYPER	DESCRIPTION	DRAWING NO.	QTY.
L94					
L49					
L66					
L12	376-0731-	74ALS138	IC 3-LIN-TO-8-L/N DECODER/DMULTIPLEXER		3
L21					
L70					
L3 - L4	376-0737-	74ALS74	IC DUAL D-TYPE POS-EDG TRIGRD F/F W/C/PRESET		8
L13					
L87					
L61					
L22	376-07-3-	74ALS04	IC HEX INVERTER		2
L41					
L58	376-0744-	74ALS00	IC QUAD 2-INTP POS AND GATES		2
L69					
L31	376-0747-	74ALS32	IC QUAD 2-INTP OR GATES		1
L81	376-0812-	74F160	IC		1
01	376-9000-	SKT 16"	IC SOCKET 16 PIN ANTI-MICKING SPACER (FOR Y1)		1
L102	376-9011-	SKT 40	SOCKET 40 PIN OIL PC MOUNT		1
L78	376-9018-	SKT 28	IC SOCKET 28 PIN OIL MOUNT		2
L96					
L71	377-0412-	6147	IC 4K X 1 SAM 18 PIN		2
L79					
L75 - L77	377-0543-	6164-16	IC 8KX8 CHOS L. IN 150MS 28 PIN		6
L86					
L89					
E1 - E2	610-1016-	SH BEAD	.28 LG FERRITE, W/LEAD, CLASS 27, MATERIAL 43		2
02	610-0443-	PCB	PCB		1

BOARD NO. & TITLE: C9443 P.C. EMULATOR M/L
 SCHEMATIC REVISION (S): 01
 SHEET OF PAGE 4

REF. DES.	WANG PART NO.	VALUE/TYPER	DESCRIPTION	DRAWING NO.	QTY.
L98					
L96					
L12	376-0197-	74504	IC HEX INVERTER		2
L21	376-0199-	74502	IC QUAD 2-INPUT POSITIVE-NOR GATES		2
L70	376-0209-	74508	IC QUAD 2 INPUT POSITIVE AND GATES		3
L3 - L4	376-0202-	74574	IC DUAL D-TYPE POS EDGE TRIGRD F/F W/PRESET/C		6
L13	376-0208-	74532	IC QUAD 2-INPUT OR GATE		6
L87	376-0217-	745167	IC QUAD 2 TO 1 LINE DATA SEL/MUL		6
L61	376-0220-	74500	IC QUAD 2-INPUT NAND GATE		2
L22	376-0238-	74520	IC DUAL 4-INPUT POSITIVE NAND GATE		1
L41	376-0237-	74511	IC TRIPLE 3-INPUT AND GATE		1
L58	376-0247-	745174	IC HEX D-TYPE FLIP-FLOP		6
L69	376-0271-	74586	IC QUAD 2 IN EXCLUSIVE OR GATE		1
L31	376-0298-	745138	IC 3-LINE TO 8-LINE DECODER/MULTIPLEXER		2

*** END-OF-REPORT ***

WANG WANG LABORATORIES, INC. LOWELL, MA U.S.A.		BY	DATE	APPROVED BY	DATE
MATERIAL		OWN		E ENGR	
MODEL NO		CHK		M ENGR	
SEE ENGRS SPECIFICATIONS		TITLE PC EMULATOR M/L			
FINISH		SEE CHART	C	9443	1
TOL. UN. AS NOTED DIM. 0.010 INCH 0.1/100 DIM. 0.005 INCH 0.1/200 FRACTION		SCALE		1/16" = 1"	1/16" = 1"
SCALE		SHEET 1 OF 11		WANG PART NUMBER	DATE

WANG LABORATORIES, INC.
 >>>> ELECTRICAL PARTS LIST <<<<< SHEET OF PAGE 1


(FINAL BILL-OF-MATERIALS)

BOARD NO. & TITLE: C9443 P.C. EMULATOR M/L
 ASSEMBLY LEVEL & TITLE: 210-A 9443
 AUTHOREV REVISION (R): 01
 ASSEMBLY REVISION (A): 01
 SCHEMATIC REVISION (S): 01
 DMR OR MOST RECENT ECO: 33375D

CREATED: 07/25/84 13:30
 LAST MODIFIED: 08/20/84 11:53 BY: LAB
 EDITING REVISION: 2

REF. DES.	WANG PART NO.	VALUE/TYPE	DESCRIPTION	DRAWING NO.	QTY.
01	209-9443-		PCA		1
L102	377-0473-	6848-1	IC CRT CONTROLLER		2
L78	377-0522-	2764-2	IC 8KXB UV EPROM 200NS		2
L99	460-1076-		R.F. SHIELD		1
03	448-1250-	SHIELD	EXTRACTOR		1
02	618-2053-	EXTRACTOR	LABEL		1
09	618-2053-	LABEL	LABEL RF SHIELD		1
011	650-3120-	SCREW	SCREW 6-32 X 3/8 LG		4
04	651-0011-	SCREW	SCREW #2 SELF TREAD		1
05 - 00	652-0032-	NUT	NUT 6-32		1
010					

*** END-OF-REPORT ***

 WANG LABORATORIES, INC. LOWELL, MA U.S.A.		BY	DATE	APPROVED BY	DATE
		DWH		E ENGR	
MATERIAL MODEL NO SEE ENGR SPECIFICATIONS No. _____		CHK		M ENGR	
				MFG ENGR	
		TITLE PC EMULATOR M/L			
FINISH		TUL ER AS NOTED XR ± 0.10 FRAC ± 1/64 RXX ± 0.05 ANG ± 1°30' FINISH ✓	SEE CHART C	9443	1
SCALE		SHT 11 OF 11	WANG PART NUMBER	SIZE	DRAWING NUMBER REV

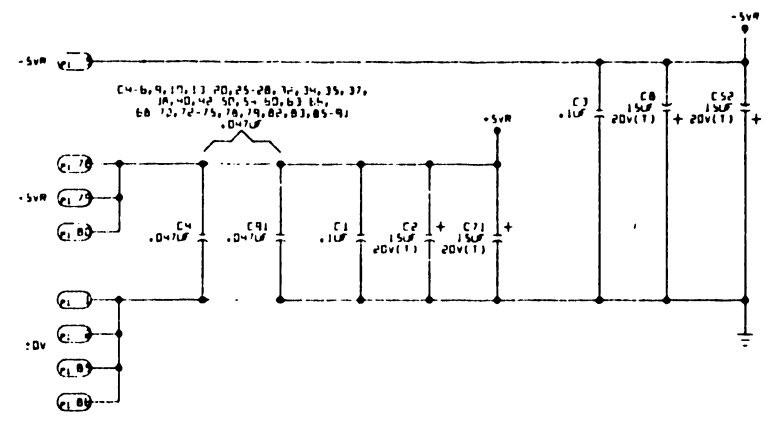
QQ11

14 13 12 11 10 9 8 7 6 5 4 3 2 1

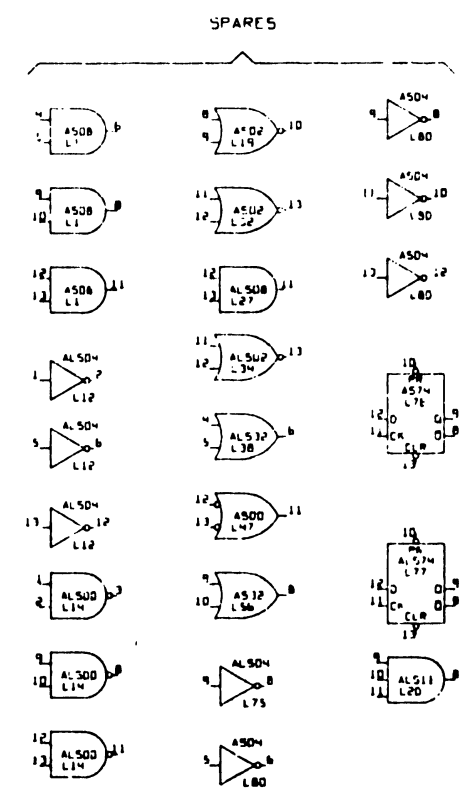
ALL PARTS LISTED IN THIS SCHEMATIC ARE TO BE OBTAINED FROM THE SUPPLIER LISTED IN THE PARTS LIST ON SHEETS 6 AND 7.

NOTES

1. ALL RESISTOR VALUES IN OHMS.
2. ALL CAPACITOR VALUES IN MICROFARADS UNLESS OTHERWISE INDICATED.
3. ALL RESISTORS 1/4W 5% UNLESS OTHERWISE INDICATED.
4. PARTS LIST SHOWN ON SHEETS 6 AND 7.



ALPHABETICS	COORD.
A10-A	5E14
B10-B	2E11
C10-C	2A14
D10-D	5G14
E10-E	2E12
F10-F	4E11
G10-G	4E11
H10-H	5F14
I10-I	3G1
J10-J	5D14
K10-K	5A12
L10-L	2E11
M10-M	5F14
N10-N	3E1
O10-O	3E1
P10-P	4E11
Q10-Q	4E11
R10-R	5E11
S10-S	2E14
T10-T	5G14
U10-U	5G14
V10-V	5F14



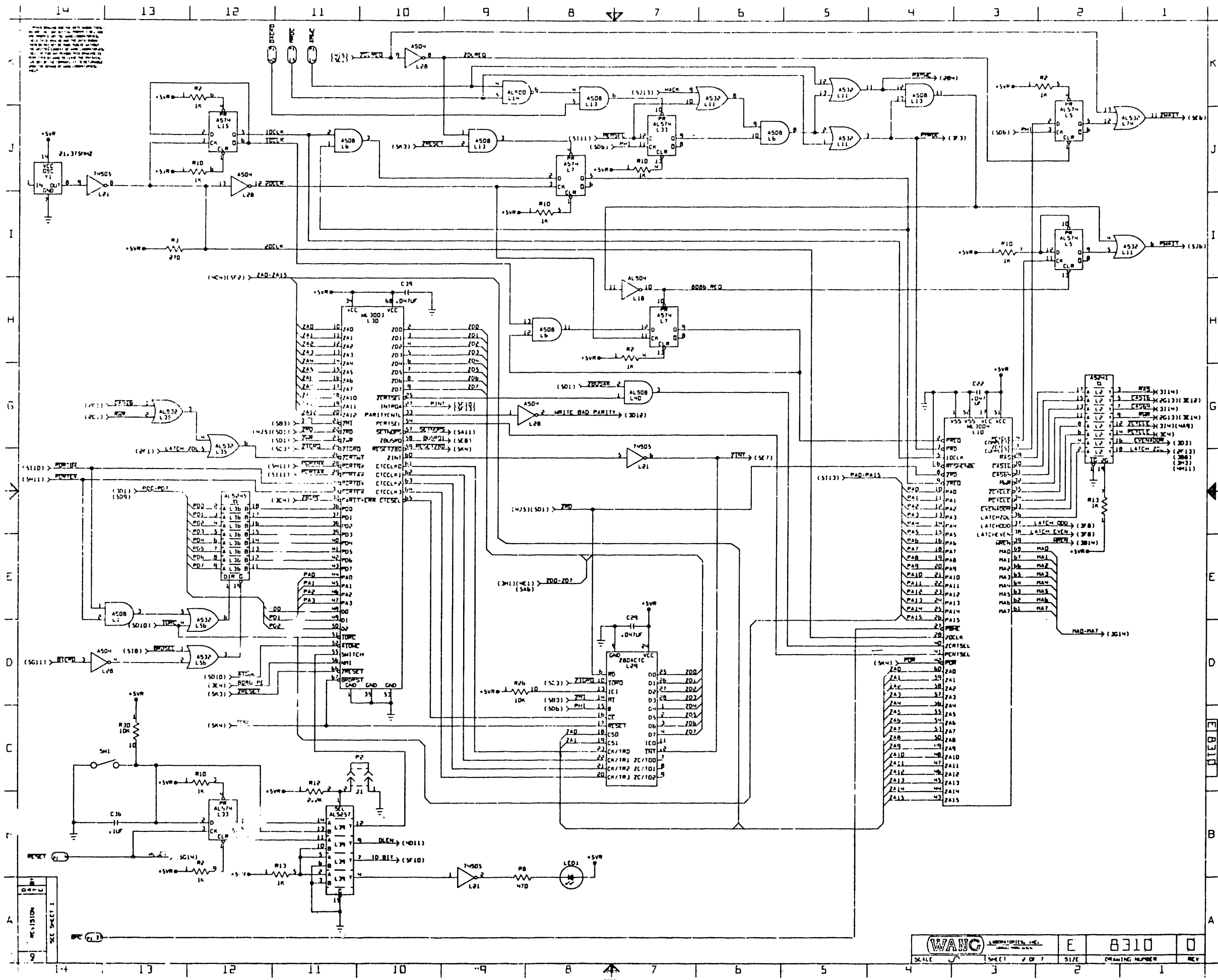
210 - 209 - 377 CM 1/8							
210	209	L9	L10	L29	L41	L67	L77
B310-4	B310	376-601P	377-011-1		377-050B	377-036B	

REV	DATE	BY	CHKD
1	09-12-84		
2	09-12-84		

WAVCO LABORATORIES, INC.		SCHEMATIC DIAGRAM	
TITLE: SINGLE BD. LOCAL COMM OPTION M/L		DRAWN: LUK	
DESIGNER: PEC	DATE: 09-12-84	ENG: LUK	DIR: LUK
SHEET 1 OF 7		SIZE: E	DRAWING NUMBER: B310
SCALE: 1/1		REV: 0	REV: N

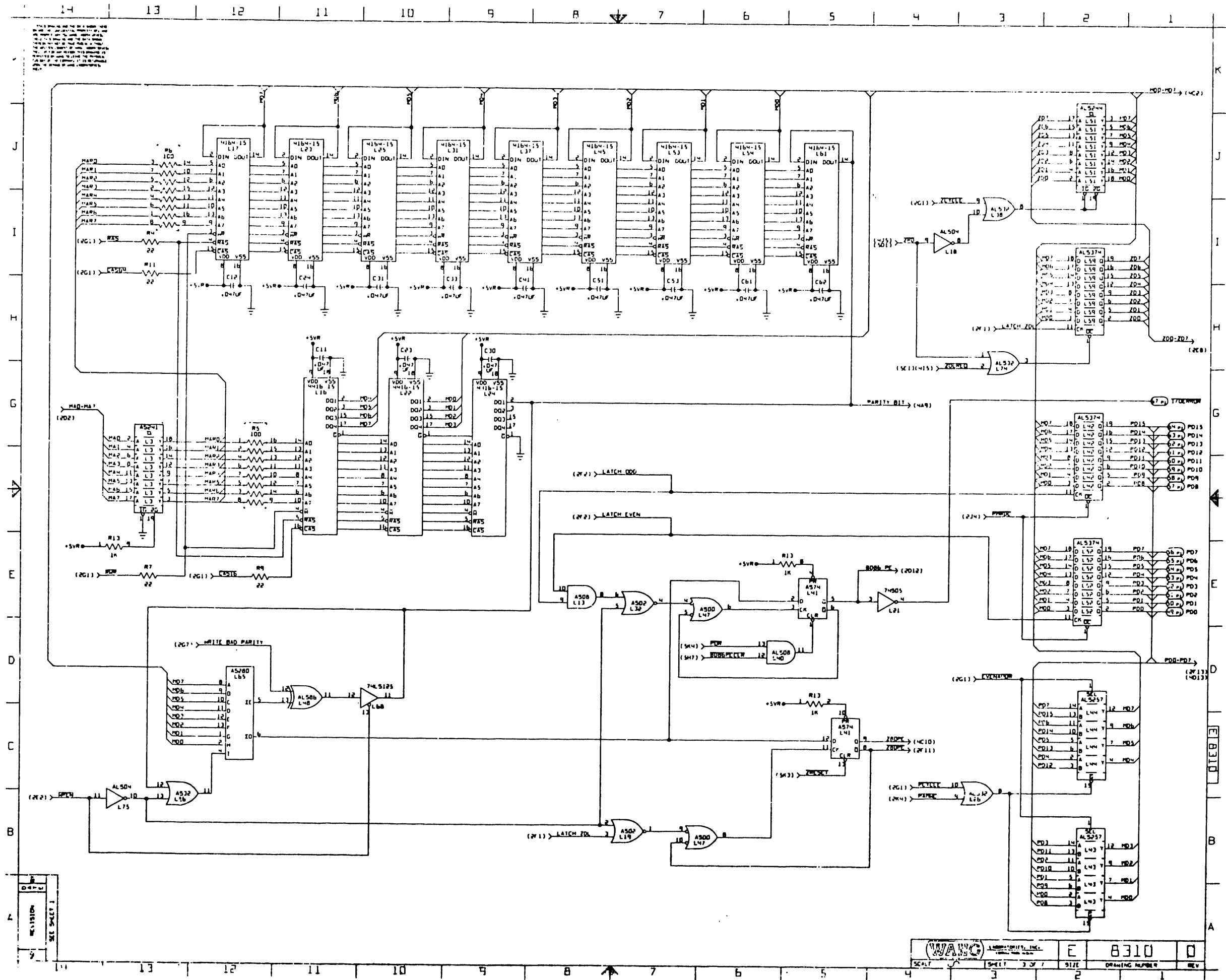
13 12 11 10 9 8 7 6 5 4 3 2 1

RR1



RR2

REV	DESCRIPTION
9	SEE SHEET 1

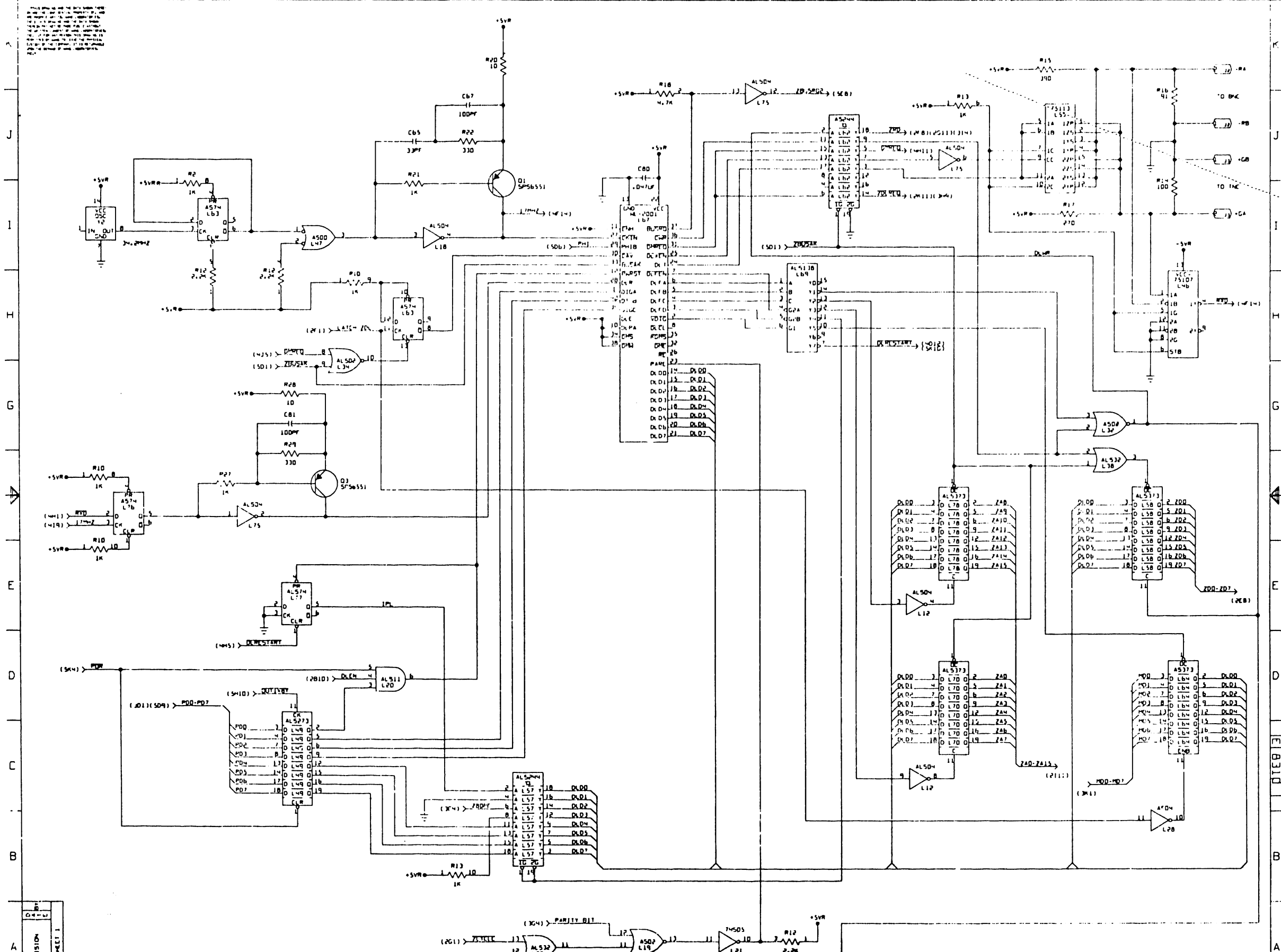


THIS DRAWING IS THE PROPERTY OF WANG COMPUTER SERVICES, INC. IT IS TO BE USED ONLY FOR THE PROJECT AND SYSTEM FOR WHICH IT WAS PREPARED. IT IS NOT TO BE REPRODUCED, COPIED, OR TRANSMITTED IN ANY FORM OR BY ANY MEANS, ELECTRONIC OR MECHANICAL, INCLUDING PHOTOCOPYING, RECORDING, OR BY ANY INFORMATION STORAGE AND RETRIEVAL SYSTEM. ANY UNAUTHORIZED REPRODUCTION OR USE OF THIS DRAWING IS PROHIBITED AND WILL BE SUBJECT TO LEGAL ACTION.

REVISION
SEE SHEET 1

(WANG) COMPUTER SERVICES, INC.		E	8310	0
SCALE	SHEET 3 OF 7	SIZE	DRAWING NUMBER	REV

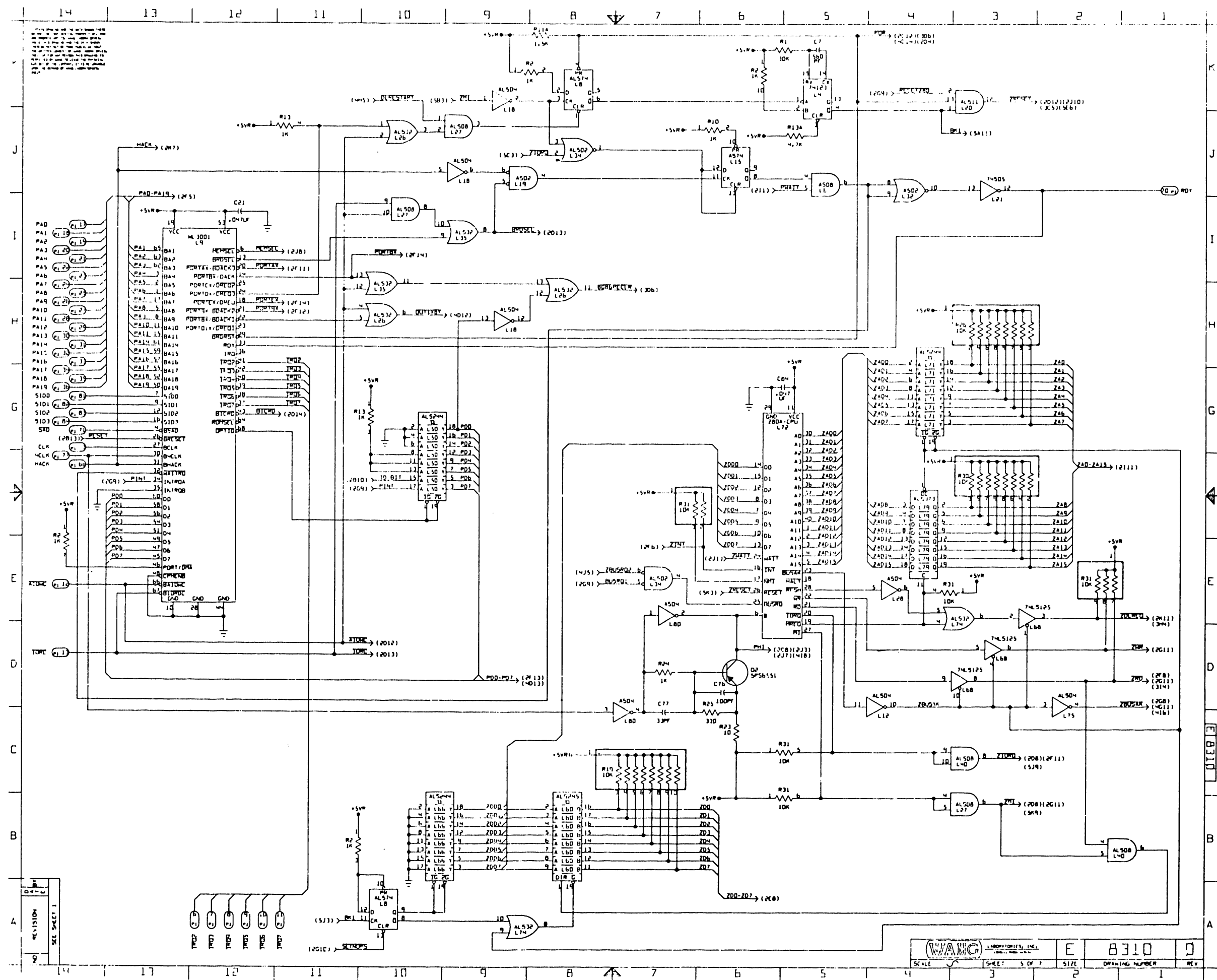
RR3



THIS DRAWING IS THE PROPERTY OF WANG
 AND SHOULD BE KEPT IN CONFIDENCE.
 IT IS TO BE USED ONLY FOR THE PROJECT
 FOR WHICH IT WAS PREPARED. IT IS NOT
 TO BE REPRODUCED OR COPIED IN ANY
 MANNER WITHOUT THE WRITTEN
 PERMISSION OF WANG COMPUTER SYSTEMS, INC.

RR4

REVISION
 SEC SHEET 1



14
 13
 12
 11
 10
 9
 8
 7
 6
 5
 4
 3
 2
 1

J
 I
 H
 G
 F
 E
 D
 C
 B
 A

14
 13
 12
 11
 10
 9
 8
 7
 6
 5
 4
 3
 2
 1

(FINAL PARTS LIST)

BOARD NO. & TITLE: CB310 SINGL BD LOCAL COMM OPTION M/L
 ASSEMBLY LEVEL & TITLE: 209
 PARTS LIST REVISION (P): 0
 ARTWORK REVISION (R): 0
 ASSEMBLY REVISION (A): 00
 SCHEMATIC REVISION (S): 00
 DWR OR MOST RECENT ECD: E2362

CREATED: 08/14/84 10:59
 LAST MODIFIED: 10/03/84 10:09 BY: LAB
 EDITING REVISION: 9

REF. DES.	WANG PART NO.	VALUE/TYP	DESCRIPTION	DRAWING NO.	QTY.
C65	300-1033-	33.0P	CAP CERAMIC DISC 10% 500V N750		2
C72					
C67	300-1100-	10µP	CAP CERAMIC DISC 10% 500V N470		3
C76					
C81					
C7	300-1560-	560P	CAP CERAMIC DISC 10% 500V X5F		1
C1	300-1833-	.1U	CAP CERAMIC MONO AXIAL LEADED +80%-20% 50V Z5U		3
C3					
C36					
C4 - C6	300-1966-	.047U	CAP CERAMIC MONO AXIAL +80 -20% 50V Z5U		78
C9 - C16					
C17 - C21					
C23 - C24					
C26					
C28 - C29					
C78 - C80					
C82 - C91					
C2	300-4022-	15U	CAP TANT AXIAL 10% 20V		4
C8					
C52					
C71					
Y1	321-0040-	21.3750	CLOCK OSCILLATOR 21.375MHZ .1% TTL (HI PRPL)		1
Y2	321-1009-	34.2000	CLOCK OSCILLATOR 34.20 MHZ +/- .01% TTL		1
SW1	325-0040-		TOGGLE SPDT 0.4VA ON ON PC 90DEG VERT UL		1
R20	330-1011-	10.000	RES FIXED METAL FILM 1/4W 5% 200PPM		3
R23					
R28					
R4	330-1023-	22.000	RES FIXED METAL FILM 1/4W 5% 200PPM		4
R7					
R9					
R11					
R16	330-1092-	91.000	RES FIXED METAL FILM 1/4W 5% 200PPM		1
R14	330-2011-	100.000	RES FIXED METAL FILM 1/4W 5% 200PPM		1
R3	330-2028-	270.000	RES FIXED METAL FILM 1/4W 5% 200PPM		2
R17					
R22	330-2034-	330.000	RES FIXED METAL FILM 1/4W 5% 200PPM		3

REF. DES.	WANG PART NO.	VALUE/TYP	DESCRIPTION	DRAWING NO.	QTY.
R25					
R29					
R15	330-2040-	390.000	RES FIXED METAL FILM 1/4W 5% 200PPM		1
R8	330-2048-	470.000	RES FIXED METAL FILM 1/4W 5% 200PPM		1
R21	330-3011-	1K	RES FIXED METAL FILM 1/4W 5% 200PPM		3
R24					
R27					
R11A	330-3016-	1.5K	RES FIXED METAL FILM 1/4W 5% 200PPM		1
R13A	330-3048-	4.7K	RES FIXED METAL FILM 1/4W 5% 200PPM		2
R18					
R1	330-4031-	30K	RES FIXED METAL FILM 1/4W 5% 200PPM		1
R12	333-0806-	2.2K	RESISTOR NETWORK TYPE: 08/07/C/SS		1
R19	333-0809-	10K	RESISTOR NETWORK TYPE: 10/09/C/SS		4
R26					
R30 - R31					
R2	333-0837-	1K	RESISTOR NETWORK TYPE: 10/09/C/SS		3
R10					
R13					
R5 - R6	333-0851-	100.00H	RESISTOR NETWORK TYPE: 16/08/P/D		2
J1	350-0203-	2 CONT	CONN PC HEADER SINGLE ROW .100 R/A		1
J2	350-1036-	1 CONT	CONN RECEPTACLE, JACK, BNC		1
J3	350-2078-	1 CONT	CONN RECEPTACLE, JACK, BNC		1
P2	350-4506-	2 CONT	CONN SHUNT .100 CTR		1
LED1	370-0058-	LED	LED RED RIGHT ANGLE DIFFUSED RED 3MCD 13/4		1
O1 - O3	375-1050-	MPS3640	1STR PNP TO-92 350MA 15V 10MA		3
L4	376-0080-	74123	IC DUAL RETRIGGERABLE MONOSTABLE MULTIVIBRATOR		1
L46	376-0146-	75107	IC DUAL LINE RECEIVER 14 PIN DIP		1
L55	376-0256-	75113	IC DUAL LINE DRIVER 16 PIN DIP		1
L68	376-0486-	74LS125	IC QUAD BUS BUFFER TRI-STATE OUTPUTS		1
L21	376-0555-	74S05	IC HEX INVERTER W/OC OUTPUTS		1
L36	376-0663-	74ALS245	IC OCT BUS TRANSCEIVER W/3-STATE OUTPUTS		2
L60					
L42	376-0729-	74ALS374	IC OCTAL D-TYPE EDGE TRIGGERED F/F		3
L82					
L59					
L50 - L51	376-0730-	74ALS244	IC OCTAL BUFFER/LIN DRVR W/3-STAT OUTPUTS		8
L57					
L66					
L71					
L69	376-0731-	74ALS138	IC 3-LIN-TO-8-LIN DECODER/MULTIPLEXER		1
L34	376-0732-	74ALS02	IC QUAD 2-INPT POS NOR GATE		1
L39	376-0735-	74ALS257	IC QUAD 2-LIN-TO-1-LIN DATA SEL/MUX W/3-STAT		3
L43 - L44					
L5	376-0737-	74ALS74	IC DUAL D-TYPE POS-EDG TRIGRD F/F W/C/R/PRESET		4
L8					
L33					
L77					
L12	376-0738-	74ALS04	IC HEX INVERTER		3
L18					
L75					

REF. DES.	WANG PART NO.	VALUE/TYP	DESCRIPTION	DRAWING NO.	QTY.
L14	376-0743-	74ALS00	IC QUAD 2-INPT POS NAND GATES		1
L27	376-0744-	74ALS08	IC QUAD 2-INPT POS AND GATES		2
L40					
L20	376-0745-	74ALS11	IC TRIPLE 3-INPT POS AND GATES		1
L26	376-0747-	74ALS32	IC QUAD 2-INPT OR GATES		4
L35					
L38					
L74					
L58	376-0751-	74ALS373	IC OCT D-TYPE TRANSPRT/LATCH W/3-STAT OUTPTS		4
L78 - L79					
L11	376-0753-	74AS32	IC QUAD 2-INPT POS OR GATE		2
L56					
L64	376-0757-	74AS373	IC OCT TRANS LATCHES W/3-STATE OUTPUTS		1
L47	376-0770-	74AS00	IC QUAD 2-INPT POS NAND GATE		1
L19	376-0771-	74AS02	IC QUAD 2-INPT POS NOR GATE		2
L32					
L28	376-0772-	74AS04	IC HEX INVERTER		2
L80					
L6	376-0773-	74AS08	IC QUAD 2-INPT POS AND GATE		2
L13					
L65	376-0805-	74AS280	IC 9-BIT PARITY GENERATOR/CHECKER		1
L7	376-0815-	74AS74	IC DL D-POS EDGE TRGD F/F W/C/LR & PRESET		8
L16					
L41					
L63					
L76					
L2 - L3	376-0819-	74AS241	IC OCTAL BUS DRIVER W/3-STATE OUTPUTS		2
L49	376-0841-	74ALS273	OCTAL LATCH W/CLEAR		1
O1 - O2	376-9008-	SKT 16**	IC SOCKET 16 PIN ANTI-TICKING SPACER		2
L67	376-9011-	SKT 40	SOCKET 40 PIN DIL PC MOUNT		2
L72					
L29	376-9015-	SKT 28	IC SOCKET 28 PIN DIL MOUNT		1
L9 - L10	376-9070-	SKT 68	SOCKET IC CHIP CARRIER 68 POS JEDEC "A"		3
L30					
L17	377-0417-	4164	IC 64Kx1 DRAM 150NS R/F REQUIRE 4MS/256 NOM		1
L23					
L25					
L31					
L37					
L45					
L83 - L84					
L61					
L16	377-0544-	4416-15	IC 16Kx4 NMOS DRAM 150NS		3
L22					
L24					
O9	458-3435-	SHIELD	RF SHIELD		1
O10	465-1250-	EJECTOR	EJECTOR		1
O3	610-8310-	PCB	PCB		1
O11	615-2201-	LABEL	LABEL, REMOTE LOCAL SWITCH		1

REF. DES.	WANG PART NO.	VALUE/TYP	DESCRIPTION	DRAWING NO.	QTY.
R8	615-2573-	LABEL	LABEL RF SHIELD		1
O4 - O5	650-3120-	SCREW	#6-32 X 3/8 LG SCREW		2
O6 - O7	652-0032-	NUT	#6-32 KEP NUT		2

RR6

WANG WANG LABORATORIES, INC. LOWELL, MA 01854		BY	DATE	APPROVED BY	DATE
MATERIAL		OWN		E ENGR	
		CHK		M ENGR	
FINISH		TITLE		SINGLE BOARD LOCAL COMM OPTION M/L	
		SEE CHART C		8310	0
SCALE		1/16" = 1"	DRWG NO.	8310	REV

"L1"

"L1"

"S.8"

"L1"

"L1"

"S.8"

8.5"

11"

17"

8.5"

11"

17"

17"

17"

BOARD NO. & TITLE: C8310 SINGL BD LOCAL COMM OPTION M/L SCHEMATIC REVISION (S): 00 SHEET OF PAGE 1
 WANG PART NO. VALUE/TYPE DESCRIPTION DRAWING NO. QTY.
 (CAUTION - THE FOLLOWING PARTS/COMPONENTS CONTAINED IN THIS B.O.M. ARE NOT RECOMMENDED FOR NEW DESIGNS)
 300-1033- 33.0P CAP CERAMIC DISC 10% 500V R750 2

M

*** END-OF-REPORT ***

11"

11"

8.5"

8.5"

WANG LABORATORIES, INC. RUN DATE: 10/03/84 10:11
 >>>> ELECTRICAL PARTS LIST <<<<< SHEET OF PAGE 1

(FINAL PARTS LIST)

BOARD NO. & TITLE: C8310 SINGL BD LOCAL COMM OPTION M/L CREATED: 08/14/84 10:59
 ASSEMBLY LEVEL & TITLE: 210-A 8310 LAST MODIFIED: 10/03/84 10:09 BY: LAB
 PARTS LIST REVISION (P): 0 EDITING REVISION: 9
 ARTWORK REVISION (R): 00
 ASSEMBLY REVISION (A): 00
 SCHEMATIC REVISION (S): 00
 DWR OR MOST RECENT ECD: E2362

REF. DES.	WANG PART NO.	VALUE/TYPE	DESCRIPTION	DRAWING NO.	QTY.
09	300-8310-	3001	PCB		1
L9	376-0012-	3001	MR 3001		1
L72	377-0368-	280ACPU	IC 8 BIT MICROPROCESSOR (4MHz)		1
L29	377-0371-	280ACTC	IC COUNTER TIMER CIRCUIT (4MHz)		1
L67	377-0508-	2001	IC		1

*** END-OF-REPORT ***

8.5"

8.5"

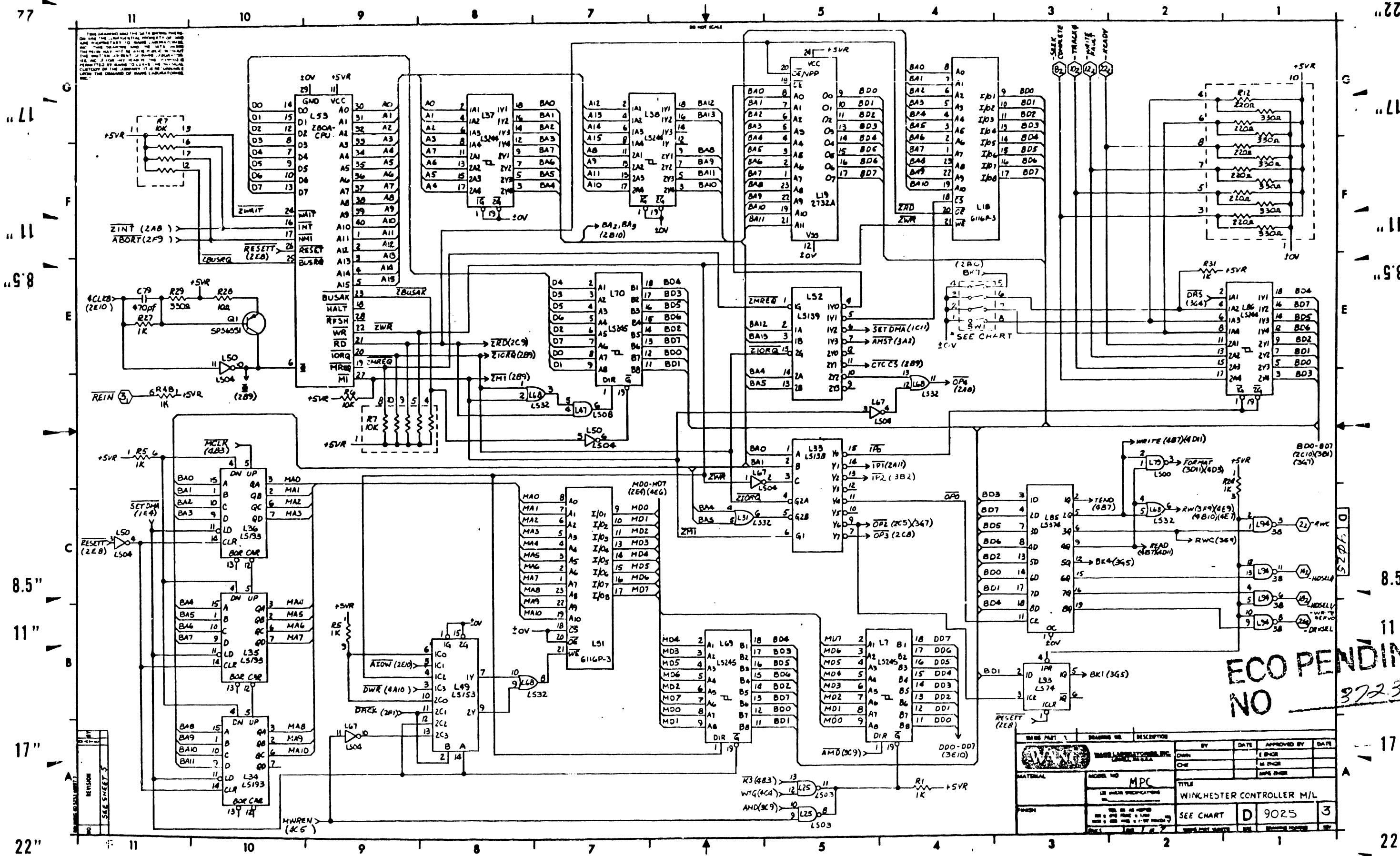
11"

11"

17"

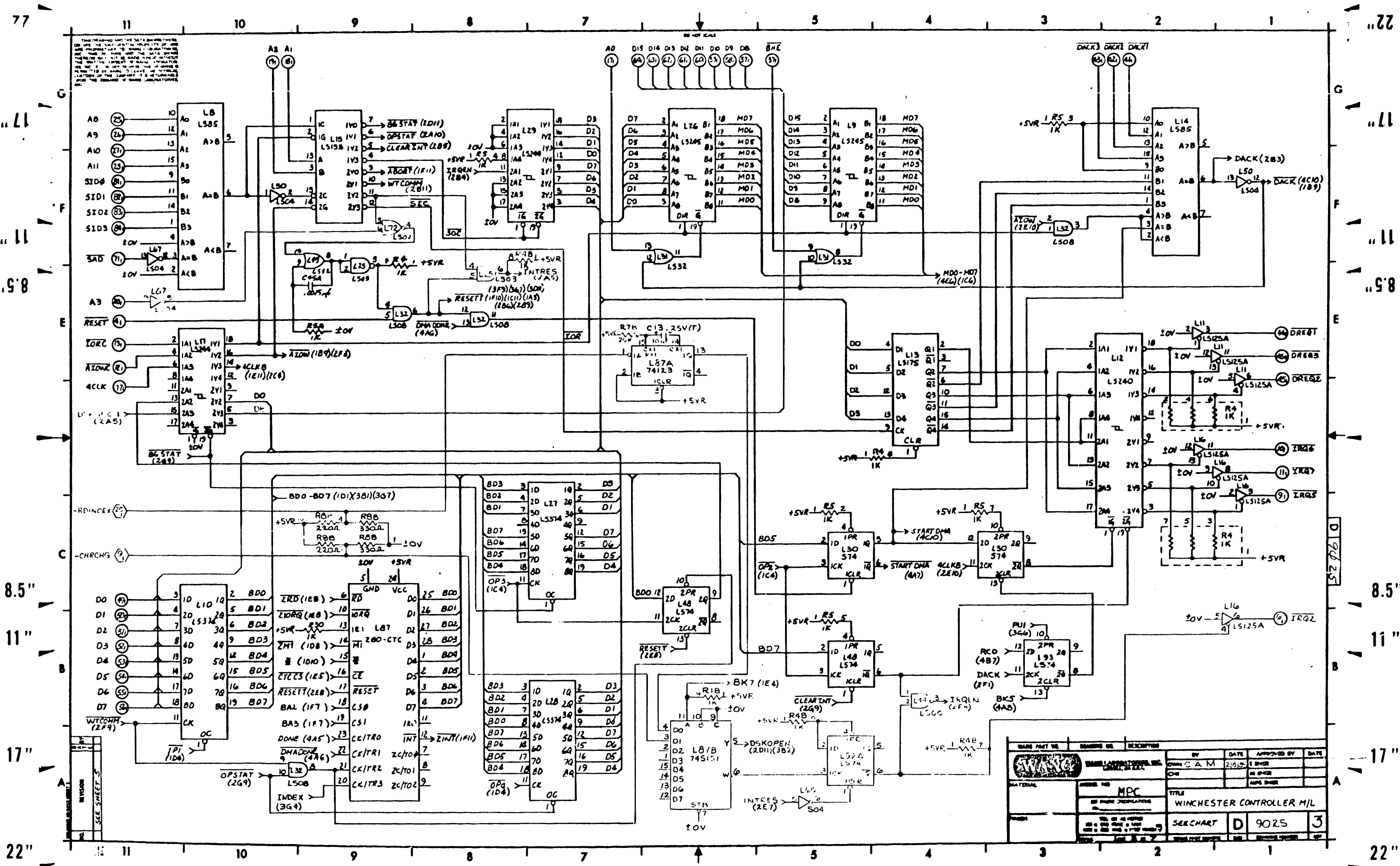
RR7
17"

WANG WANG LABORATORIES, INC. LOWELL, MA U.S.A.		BY	DATE	APPROVED BY	DATE
MATERIAL		OWN		E ENGR	
MODEL NO		CMR		M ENGR	
SEE ENGAL SPECIFICATIONS				MFG ENGR	
FINISH		TITLE SINGLE BOARD LOCAL COMM OPTION M/L			
SEE CHART C		8310		0	
SCALE 1/8" = 1"		SHEET 7 OF 7		WANG PART NUMBER 8310	



ECO PENDING
NO 372372

DATE PART	DRAWING NO.	DESCRIPTION	BY	DATE	APPROVED BY	DATE
MATERIAL	MODEL NO.	TITLE	DATE	ISSUE	ISSUE	ISSUE
	MPC	WINCHESTER CONTROLLER M/L				
FINISH	SEE CHART	D 9025				



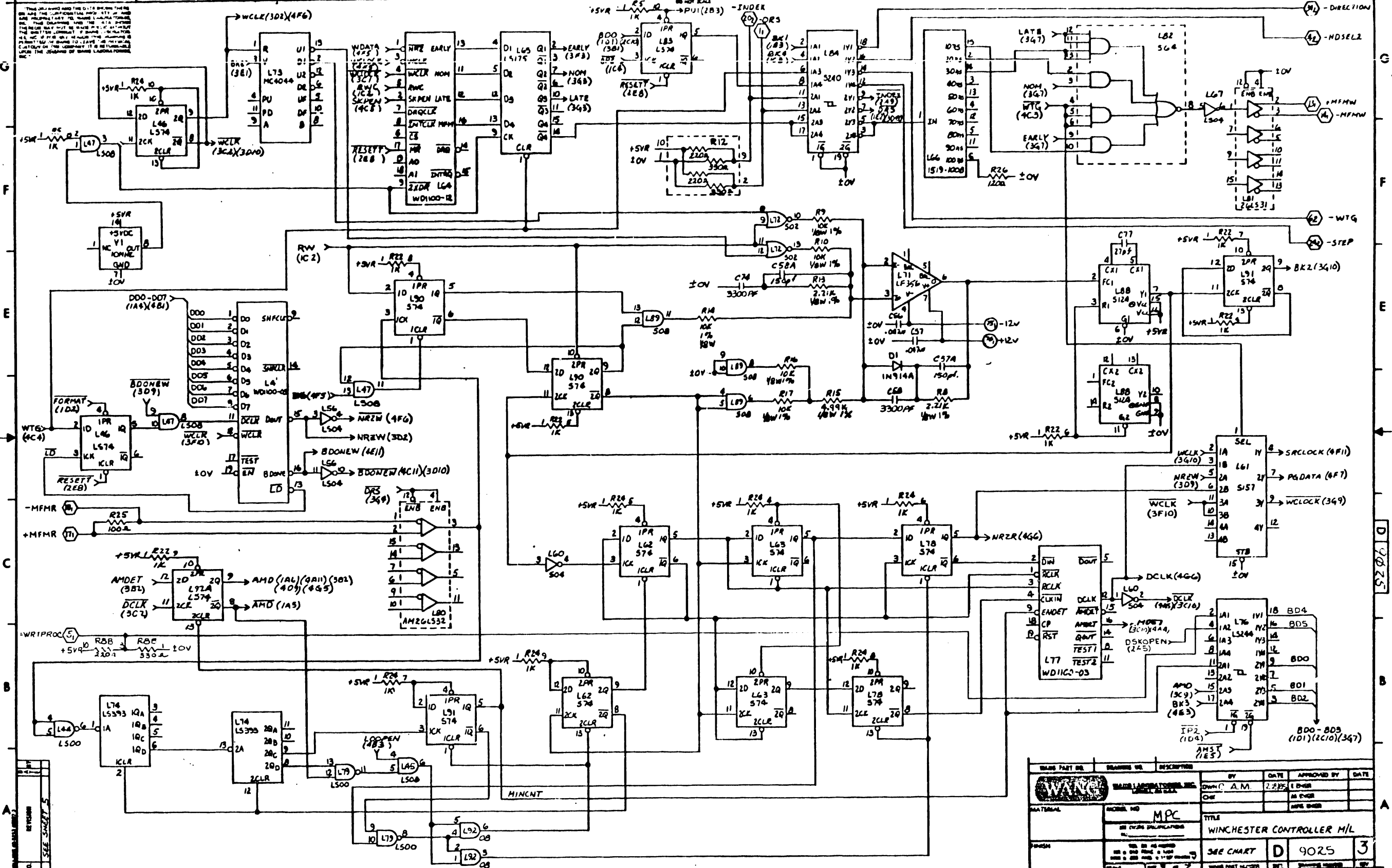
These (relaying) units are not to be used for any other purpose than that for which they are designed. They are not to be used for any other purpose than that for which they are designed. They are not to be used for any other purpose than that for which they are designed.

ISSUE NO.	ISSUED BY	DESCRIPTION	BY	DATE	APPROVED BY	DATE
1
2
3

TITLE WINCHESTER CONTROLLER M/L	DRAWING NO. D 9025	SHEET NO. 3
---	------------------------------	-----------------------

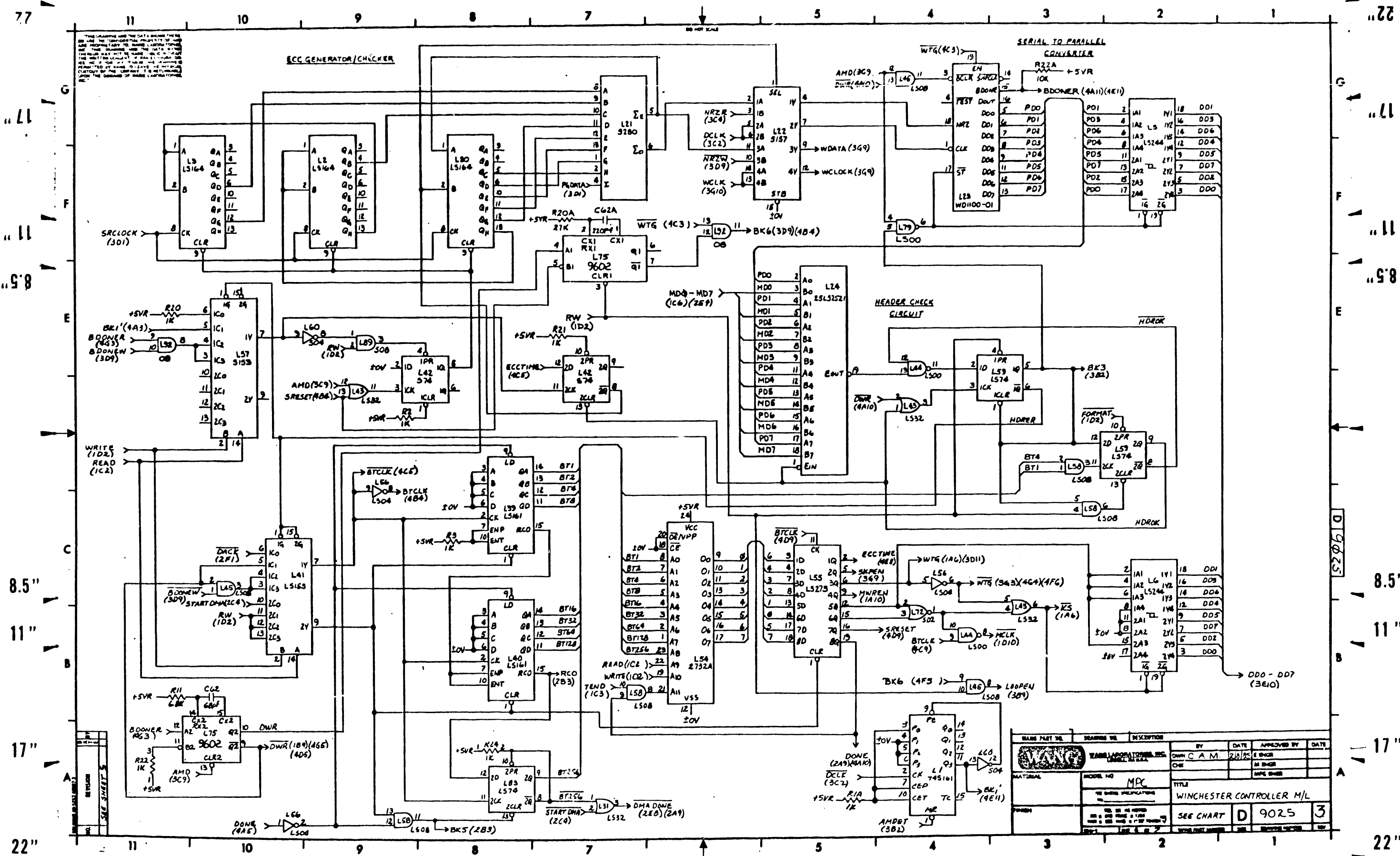
7.7
7.1
7.1
7.8
7.5
7.8
7.5
7.1
7.1
7.7
7.7
7.7

7.7
7.1
7.1
7.8
7.5
7.8
7.5
7.1
7.1
7.7
7.7
7.7



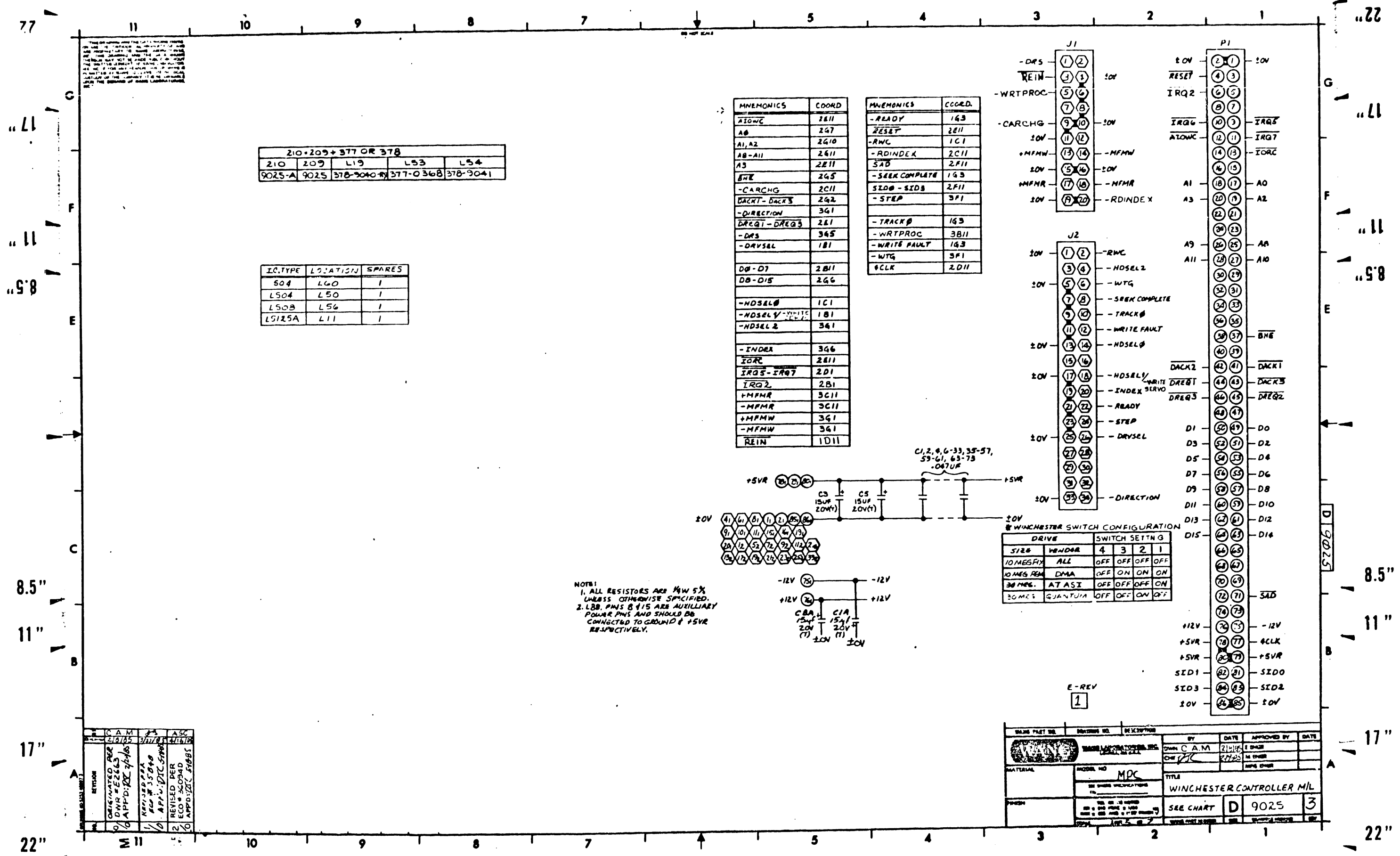
ISSUE NO.	ISSUE DATE	ISSUE DESCRIPTION	BY	DATE	APPROVED BY	DATE
1			OWN A.M.	2.2.75	E BISH	
2			OWN		AS ENGR	
3					AS ENGR	

MATERIAL	WANG	PROJECT NO.	MPC	TITLE	WINCHESTER CONTROLLER M/L
FIGURE NO.	9025	SEE CHART	D	9025	3



DATE	BY	DATE	APPROVED BY	DATE
2/8/75	CAM	2/8/75	ESR	

MATERIAL	MODEL NO	TITLE
	MPX	WINCHESTER CONTROLLER M/L
DATE	REV	BY
9025	D	3



210-209 + 377 OR 378				
210	209	L19	L53	L54
9025-A	9025	378-9040*	377-0368	378-9041

IC TYPE	LOCATION	SPARES
504	L60	1
L504	L50	1
L50B	L56	1
L5125A	L11	1

MNEMONICS	COORD.	MNEMONICS	COORD.
ATOWC	2E11	-READY	1G3
AØ	2G7	RESET	2E11
A1, A2	2G10	-RWC	1G1
AB-A11	2E11	-RDINDEX	2C11
A3	2E11	SAD	2F11
BNE	2G5	-SREK COMPLETE	1G3
-CARCHG	2C11	SIDØ - SID3	2F11
DACK1 - DACK3	2G2	-STEP	3F1
-DIRECTION	3G1		
DREQ1 - DREQ3	2E1	-TRACK Ø	1G3
-DRS	3G5	-WRTPROC	3B11
-DRYSEL	1B1	-WRITE FAULT	1G3
		-WTG	3F1
DØ - D7	2B11	ØCLK	2D11
DØ - DIS	2G6		
-HDSSEL Ø	1G1		
-HDSSEL1 - WRITE	1B1		
-HDSSEL2	3G1		
-INDEX	3G6		
IORC	2E11		
IRQ5 - IRQ7	2D1		
IRQ2	2B1		
+MPMR	3C11		
-MPMR	3C11		
+MFMW	3G1		
-MFMW	3G1		
REIN	1D11		

DRIVE	SWITCH SETTING
SIZE	4 3 2 1
10 MESH	ALL OFF OFF OFF OFF
10 MEG RES	DMA OFF ON ON ON
30 MEG.	AT ASI OFF OFF OFF ON
30 MEG	QUANTUM OFF OFF ON OFF

NOTE:
 1. ALL RESISTORS ARE 1/4W 5% UNLESS OTHERWISE SPECIFIED.
 2. LBB PINS B15 ARE AUXILIARY POWER PINS AND SHOULD BE CONNECTED TO GROUND & +5V RESPECTIVELY.

REV	DATE	BY	DESCRIPTION
1	2/2/75	CAM	ORIGINATED PER DNR #E266
2	3/11/75	ASC	REVISED PER ECO # 36094D
3	4/4/75	ASC	APP'D: DC 446
4	5/1/75	ASC	APP'D: DC 5168
5	5/5/75	ASC	APP'D: DC 5168
6	5/1/75	ASC	APP'D: DC 5168

ISSUE PART NO.	ISSUE NO.	DESCRIPTION	BY	DATE	APPROVED BY	DATE
			CAM	2/11/75		
MATERIAL	INDEX NO.	TITLE	CHK	DATE		
	MPC	WINCHESTER CONTROLLER MIL				
ISSUE	NO. OF ISSUES	SEE CHART	D	9025	3	

(FINAL PARTS LIST)

REF. DES.	WANG PART NO.	VALUE/TYP	DESCRIPTION	DRAWING NO.	QTY.
C77	300-1027-	27P	CAP CERAMIC DISC 10% 500V N750		1
C82	300-1068-	68P	CAP CERAMIC DISC 10% 500V Z5F		1
C82A	300-1220-	220P	CAP CERAMIC DISC 10% 500V X5P		1
C79	300-1470-	470P	CAP CERAMIC DISC 10% 500V X5F		1
C88	300-1834-	3300P	CAP 3300 PF 50V 5% NPO CER MONO ROL		2
C74					
C40A	300-1942-	1000P	LAP 1000 PF 100V 10% Z5P LER MONO ROL		1
C1 - C2	300-1944-	.047U	CAP CERAMIC MONO AXIAL +80 -20% 50V Z5U		60
C4					
C6 - C33					
C38 - C57					
C59 - C61					
C63 - C73					
C1A	300-4022-	18U	CAP TANT AXIAL 10% 20V		4
C3					
C8					
C8A					
C10	300-4044-	10U	CAP TANT DIPPED +50 -20% 35V		1
C57A	300-5019-	180P	CAP MICA DIPPED 5% 500V		2
C58A					
Y1	321-1010-	10.0000	CLOCK OSCILLATOR 10.0 MHZ +- .01% TTL		1
SM1	325-1504-	SWITCH	SLIDE SPST 4 POS DIP		1
R20	330-1011-	10.000	RES FIXED METAL FILM 1/4W 5% 200PPM		1
R25	330-2011-	100.000	RES FIXED METAL FILM 1/4W 5% 200PPM		1
R26	330-2013-	120.000	RES FIXED METAL FILM 1/4W 5% 200PPM		1
R29	330-2034-	330.000	RES FIXED METAL FILM 1/4W 5% 200PPM		1
R1	330-3011-	1K	RES FIXED METAL FILM 1/4W 5% 200PPM		10
R1A					
R2 - R3					
R5A					
R20 - R21					
R27					
R30 - R31					
R11	330-3069-	6.8K	RES FIXED METAL FILM 1/4W 5% 200PPM		1

REF. DES.	WANG PART NO.	VALUE/TYP	DESCRIPTION	DRAWING NO.	QTY.
R6	330-4011-	10K	RES FIXED METAL FILM 1/4W 5% 200PPM		2
R22A					
R22B	330-4021	20K	RES FIXED METAL FILM 1/4W 5% 200PPM		1
R20A	330-4020-	27K	RES FIXED METAL FILM 1/4W 5% 200PPM		1
R9 - R10	333-0090-	10K	RES FIXED METAL FILM 1/8W 1% 100PPM RMS		8
R14					
R16 - R17					
R8	333-0183-	2.21K	RES FIXED METAL FILM 1/8W 100PPM RMS		2
R13					
R15	333-0202-	4.99K	RES FIXED METAL FILM 1/8W 1% 100PPM		1
R8B	333-0807-	220/330W	RESISTOR NETWORK TYPE: 10/16/T/55		2
R12					
R7	333-0809-	10K SIP	RESISTOR NETWORK TYPE: 10/09/C/55		1
R4	333-0837-	1K SIP	RESISTOR NETWORK TYPE: 10/09/C/55		6
R4B					
R5					
R22					
R24					
J2	350-0410-	34 CONT	CONN PC HEADER DUAL ROW .100 R/A		1
Q1	375-1050-	MPS6581	TSTR PNP TO-92 340MW 15V 10MA		1
L87A	376-0080-	74123	IC DUAL RETRIGGERABLE MONOSTABLE MULTIVIBRATOR		1
L92	376-0081-	74008	IC QUAD 2-INPUT AND GATE		1
L75	376-0100-	9602	IC DUAL RETRIG/RESET MONOSTABLE MULTIVIBRATOR		1
L94	376-0120-	7418	IC QUAD 2-INPUT NAND BUFFER D/C OUTPUTS		1
L32	376-0183-	74LS08	IC QUAD 2-INPUT AND GATE		4
L45					
L47					
L50					
L46	376-0155-	74LS74	IC DUAL D-TYPE POSITIVE EDGE TRIG FLIP-FLOP		6
L48					
L59					
L83					
L92A					
L93					
L91	376-0156-	74LS183	IC DUAL 4-INPUT MULTIPLEXER		2
L49					
L16	376-0158-	74LS158	IC DUAL 1-OF-4 DECODER/DEMULTIPLEXER		1
L13	376-0160-	74LS178	IC QUAD D-TYPE FLIP FLOP		2
L65					
L50	376-0180-	74LS04	IC HEX INVERTER		3

REF. DES.	WANG PART NO.	VALUE/TYP	DESCRIPTION	DRAWING NO.	QTY.
L56					
L67					
L60	376-0197-	74S04	IC HEX INVERTER		1
L72	376-0199-	74S02	IC QUAD 2-INPUT POSITIVE-NOR GATES		1
L89	376-0200-	74S08	IC QUAD 2 INPUT POSITIVE AND GATES		1
L82	376-0201-	74S64	IC 4-2-3-2 INPUT AND/OR/INVERT GATE		1
L30	376-0202-	74S74	IC DUAL D-TYPE POS EDGE TRIGRD F/F W/PRESET/C		7
L42					
L62 - L63					
L78					
L90 - L91					
L44	376-0207-	74LS00	IC QUAD 2-INPUT NAND GATE		2
L79					
L31	376-0211-	74LS32	IC QUAD 2-INPUT OR GATE		3
L43					
L68					
L87	376-0218-	74S183	IC DUAL 4-INPUT MULTIPLEXER		1
L22	376-0217-	74S187	IC QUAD 2 TO 1 LINE DATA SEL/MUL		2
L61					
L8	376-0218-	74LS88	IC 4-BIT MAGNITUDE COMPARATOR		2
L14					
L34 - L36	376-0220-	74LS193	IC UP/DOWN BINARY COUNTER		3
L25	376-0224-	74LS03	IC QUAD 2-INPUT POSITIVE NAND GATE D/C OUTPUT		1
L52	376-0226-	74LS139	IC 2-TO-4-LINE DECODER/MULTIPLEXER		1
L39 - L40	376-0233-	74LS161	IC SYNCHRONOUS 4-BIT BINARY COUNTER W/DIRECT CLEAR		2
L2 - L3	376-0236-	74LS164	IC SERIAL-IN PARALLEL-OUT SHIFT REGISTER		3
L20					
L21	376-0246-	74S280	IC 9-BIT PARITY GENERATOR/CHECKER		1
L73	376-0264-	MC4044	IC PHASE FREQUENCY DETECTOR 14 PIN DIP		1
L88	376-0273-	74S124	IC DUAL VOLTAGE CONTROLLED OSC (VCO)		1
L1	376-0278-	74S161	IC SYN 4-BIT BINARY COUNTER W/DIRECT CLEAR		1
L7	376-0285-	74LS245	IC OCTAL BUS TRANSCEIVER TRI-STATE OUTPUTS		5
L9					
L26					
L69 - L70					
L10	376-0286-	74LS374	IC OCTAL D-TYPE FLIP-FLOP TRI-STATE		4
L27 - L28					
L85					
L5 - L6	376-0288-	74LS244	IC OCTAL BUFFER/LINE DRIVER W/TRI STATE		8
L17					

REF. DES.	WANG PART NO.	VALUE/TYP	DESCRIPTION	DRAWING NO.	QTY.
L29					
L37 - L38					
L76					
L86					
L33	376-0294-	74LS138	IC 3-LINE TO 8-LINE DECODER/MULTIPLEXER		1
L12	376-0297-	74LS240	IC OCTAL BUFFER/LINE DRIVER/LINE RECEIVER		1
L55	376-0302-	74LS273	IC OCTAL D-TYPE FLIP-FLOP W/CLEAR		1
L74	376-0307-	74LS393	IC DUAL 4-BIT BINARY COUNTER		1
L24	376-0317-	2SL2521	IC 8-BIT COMPARATOR		1
L84	376-0334-	74S240	IC OCTAL BUFFER/LINE DRIVER		1
L87B	376-0336-	74S151	IC 1-OF-8 DATA SEL/MUX USE 376-0613		1
L81	376-0470-	26LS31	IC QUAD LINE DRIVER 16 PIN DIP		1
L80	376-0471-	26LS32	IC QUAD LINE RECEIVER 16 PIN DIP		1
L11	376-0486-	74LS125A	IC QUAD BUS BUFFER TRI-STATE OUTPUTS		2
L16					
L71	376-0547-	LF356	IC LF356 FET INPUT OP AMP 8 PIN DIP		1
L66	376-8002-	IC DELAY LINE 100MS 100OHM 10 TAP			1
L19	376-9003-	SKT 24	IC SOCKET 24 PIN OIL PC MOUNT		2
L54					
01	376-9008-	SKT 16	16 PIN ANTI-WICKING SPACER (FOR Y1)		1
L63	376-9011-	DIPSKT40	SOCKET 40 PIN OIL PC MOUNT		1
01	380-1012-	1N914A	DIO SIG 75V 250MA 4NS DO-35		1
L87	397-0371-	Z80ACTC	IC COUNTER/TIMER (CIRCUIT (2.5MHZ) BURNED		1
L10	397-0403-	6116P3	IC 2KX8 SRAM CMOS 150NS 24PIN BURNED		2
L51					
L64	397-0456-	WD110012	IC		1
L77	397-0457-	WD110003	IC		1
L4	397-0458-	WD110005	IC		1
L23	397-0459-	WD110001	IC		1
02	458-3249-	SHIELD	RF SHIELD, BRACKET		1
03	510-5025-		PCB		1
09	615-2318-	LABEL	LBL BAR CODE		1
08	615-2764-	LABEL	LABEL, RF SHIELD		1
04 - 05	650-3120-	SCREW	SCREW 6-32 3/8		2
06 - 07	652-0032-	NUT	NUT 6-32		2
J1	654-0122-	20 CONT	CONN PC HDR DUAL ROW, SLIM, R/A .025 ROUND .105		1

WANG		BY	DATE	APPROVED BY	DATE
WANG LABORATORIES, INC.		OWN		E ENGR	
UNIVERSITY MICROFILMS INT'L.		CHK		M ENGR	
MATERIAL		MODEL NO		TITLE	
NO INHIB SPECIFICATIONS		WINCHESTER CONTROLLER		WINCHESTER CONTROLLER	
FINISH		SEE CHART	C	9025	3
SCALE	INT	DRAWING NUMBER	SIZE	DRAWING NUMBER	REV

WANG PART NO. VALUE/TYPE DESCRIPTION DRAWING NO. QTY.

(CAUTION - THE FOLLOWING PARTS/COMPONENTS CONTAINED IN THIS B.O.M. ARE NOT RECOMMENDED FOR NEW DESIGNS)

376-0080-	74123	IC DUAL RETRIGGERABLE MONOSTABLE MULTIVIBRATOR	1
376-0107-	74504	IC HEX INVERTER	1
376-0190-	74502	IC QUAD 2-INPUT POSITIVE-NOR GATES	1
376-0200-	74500	IC QUAD 2-INPUT POSITIVE-AND GATES	1
376-0201-	74564	IC 4-2-2-2 INPUT AND/OR INVERT GATE	1
376-0202-	74574	IC DUAL 0-TYPE POS EDGE TRIGRD F/F W/PRESET/C	2
376-0210-	74510	IC DUAL 4-INPUT MULTIPLEXER	1
376-0217-	74517	IC QUAD 2 TO 1 LINE DATA SEL/MUX	2
376-0240-	745200	IC 9-BIT PARITY GENERATOR/CHECKER	1
376-0260-	MC4044	IC PHASE FREQUENCY DETECTOR 14 PIN DIP	1
376-0270-	745124	IC DUAL VOLTAGE CONTROLLED OSC (VCO)	1
376-0270-	745161	IC 376 4-BIT BINARY COUNTER W/DIRECT CLEAR	1
376-0317-	24LS2331	IC 8-BIT COMPARATOR	1
376-0330-	745240	IC OCTAL BUFFER/LINE DRIVER	1
376-0330-	745181	IC 1-OF-8 DATA SEL/MUX USE 376-0613	1
654-0122-	20 CONT	CONN PC HDR DUAL ROW, SLDR, R/A .025 ROUND .100	1

*** END-OF-REPORT ***

WANG LABORATORIES, INC.

RUN DATE: 05/28/85 08:11

PARTS LIST

SHEET OF PAGE 1

(FINAL PARTS LIST)

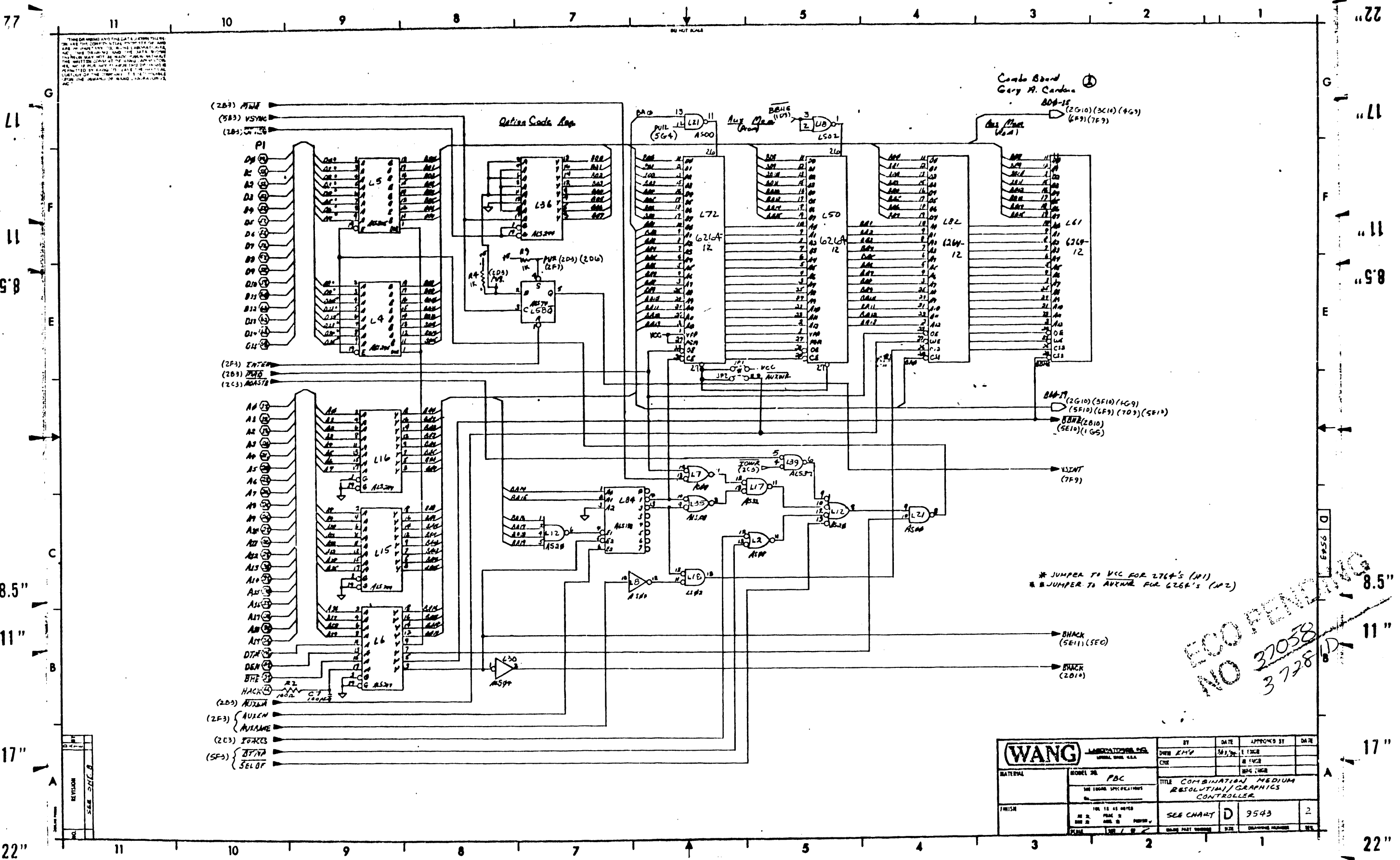
BOARD NO. & TITLE: C9025 WINCHESTER CONTROLLER
 ASSEMBLY LEVEL & TITLE: 210-A 9025
 PARTS LIST REVISION (P): 2
 CREATED: 02/08/85 10:24
 LAST MODIFIED: 05/28/85 08:06 BY: SJD
 EDITING REVISION: 7

REF. DES.	WANG PART NO.	VALUE/TYPE	DESCRIPTION	DRAWING NO.	QTY.
01	209-9025-		PCA		1
L53	377-0168-	280ACPU	IC 8 BIT MICROPROCESSOR (4MHZ)		1
L19	378-9040-R9	2732A	IC 4KX8 UVERPROM 200NS (5V)		1
L54	378-9041-	2732A	IC		1

*** END-OF-REPORT ***

WANG		BY	DATE	APPROVED BY	DATE
MATERIAL		ONE		E ENGR	
MODEL NO		ONE		M ENGR	
SEE CHART C				MFG ENGR	
FINISH		THIS WINCHESTER CONTROLLER			
SCALE		SEE CHART C	9025	3	

THIS DRAWING AND THE DATA SHEET THEREON ARE THE PROPERTY OF WANG AND SHALL REMAIN SO UNLESS OTHERWISE SPECIFIED. NO PART OF THIS DRAWING OR THE DATA SHEET SHOULD BE REPRODUCED OR TRANSMITTED IN ANY FORM OR BY ANY MEANS, ELECTRONIC OR MECHANICAL, WITHOUT THE WRITTEN CONSENT OF WANG. APPROVED BY WANG TO BE REPRODUCED OR TRANSMITTED IN ANY FORM OR BY ANY MEANS, ELECTRONIC OR MECHANICAL, WITHOUT THE WRITTEN CONSENT OF WANG. APPROVED BY WANG TO BE REPRODUCED OR TRANSMITTED IN ANY FORM OR BY ANY MEANS, ELECTRONIC OR MECHANICAL, WITHOUT THE WRITTEN CONSENT OF WANG. APPROVED BY WANG TO BE REPRODUCED OR TRANSMITTED IN ANY FORM OR BY ANY MEANS, ELECTRONIC OR MECHANICAL, WITHOUT THE WRITTEN CONSENT OF WANG.



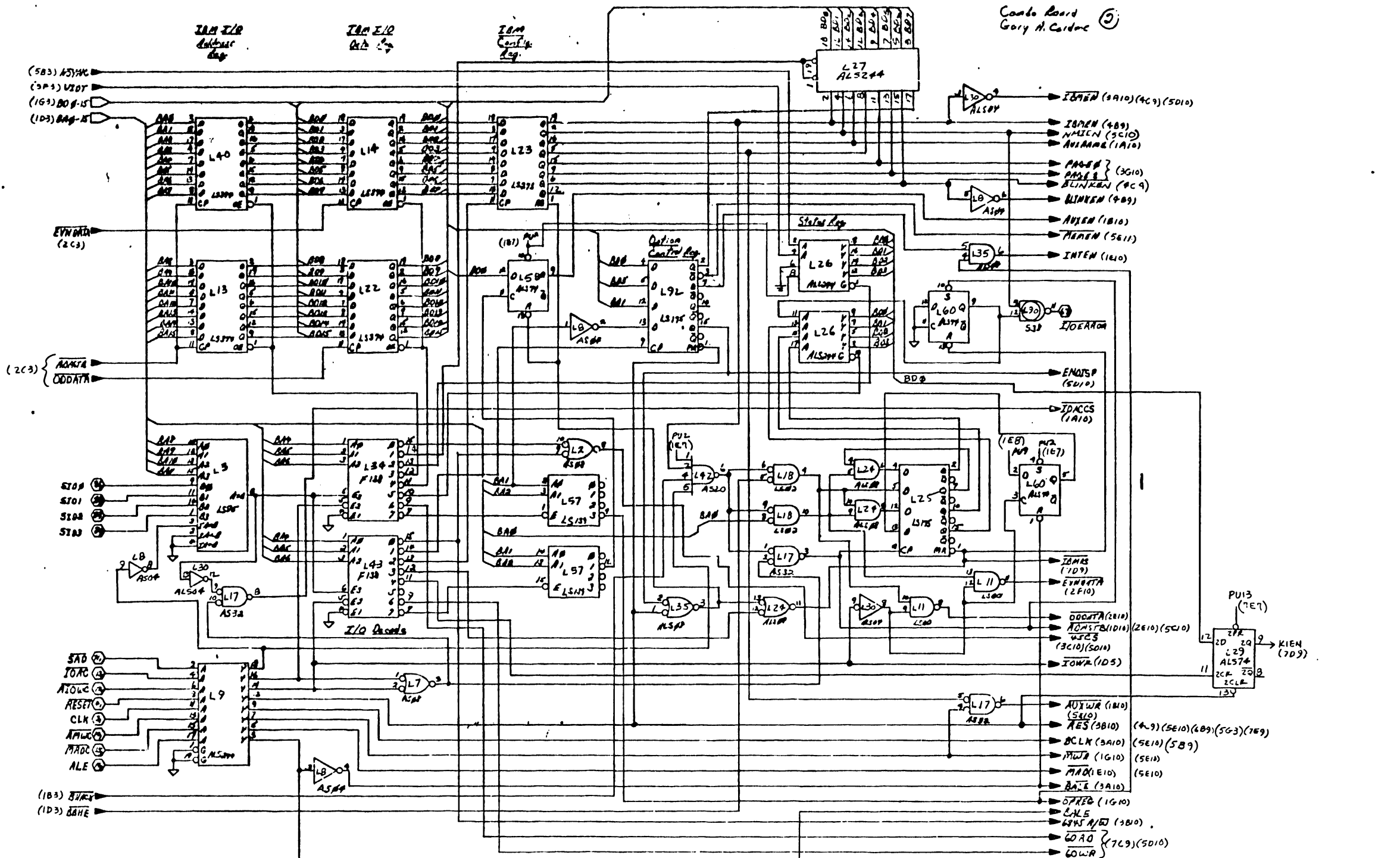
NO ECO PENDING

NO 37058
3 7281D

REV	DATE	APPROVED BY	DATE
1	3/23/74	EHV	3/23/74

WANG LABORATORIES
COMBINATION MEDIUM RESOLUTION/ GRAPHICS CONTROLLER
 DATE: 3/23/74
 DESIGNED BY: EHV
 CHECKED BY: JVC
 APPROVED BY: JVC
 DRAWING NO: D 9543
 SHEET: 2 OF 2
 REVISION: SEE CHART
 SCALE: 1/8" = 1"

THIS DRAWING AND THE DATA THEREON ARE THE PROPERTY OF WANG AND SHOULD BE KEPT IN THE CONFIDENTIALITY OF THE COMPANY. IT IS TO BE USED ONLY FOR THE PURPOSES SPECIFIED HEREON. ANY REPRODUCTION OR TRANSMISSION OF THIS DRAWING OR THE DATA THEREON WITHOUT THE WRITTEN CONSENT OF WANG IS PROHIBITED. WANG ASSUMES NO LIABILITY FOR ANY DAMAGE OR LOSS OF PROFITS, BUSINESS, OR REVENUE, OR FOR ANY SPECIAL, INCIDENTAL, OR CONSEQUENTIAL DAMAGES, WHETHER IN CONTRACT OR TORT, ARISING FROM THE USE OF THIS DRAWING OR THE DATA THEREON. WANG'S LIABILITY IS LIMITED TO THE EXTENT OF THE ORIGINAL CONTRACT PRICE. THIS DRAWING IS THE PROPERTY OF WANG AND WILL BE RETURNED UPON THE REQUEST OF WANG'S MANAGEMENT.

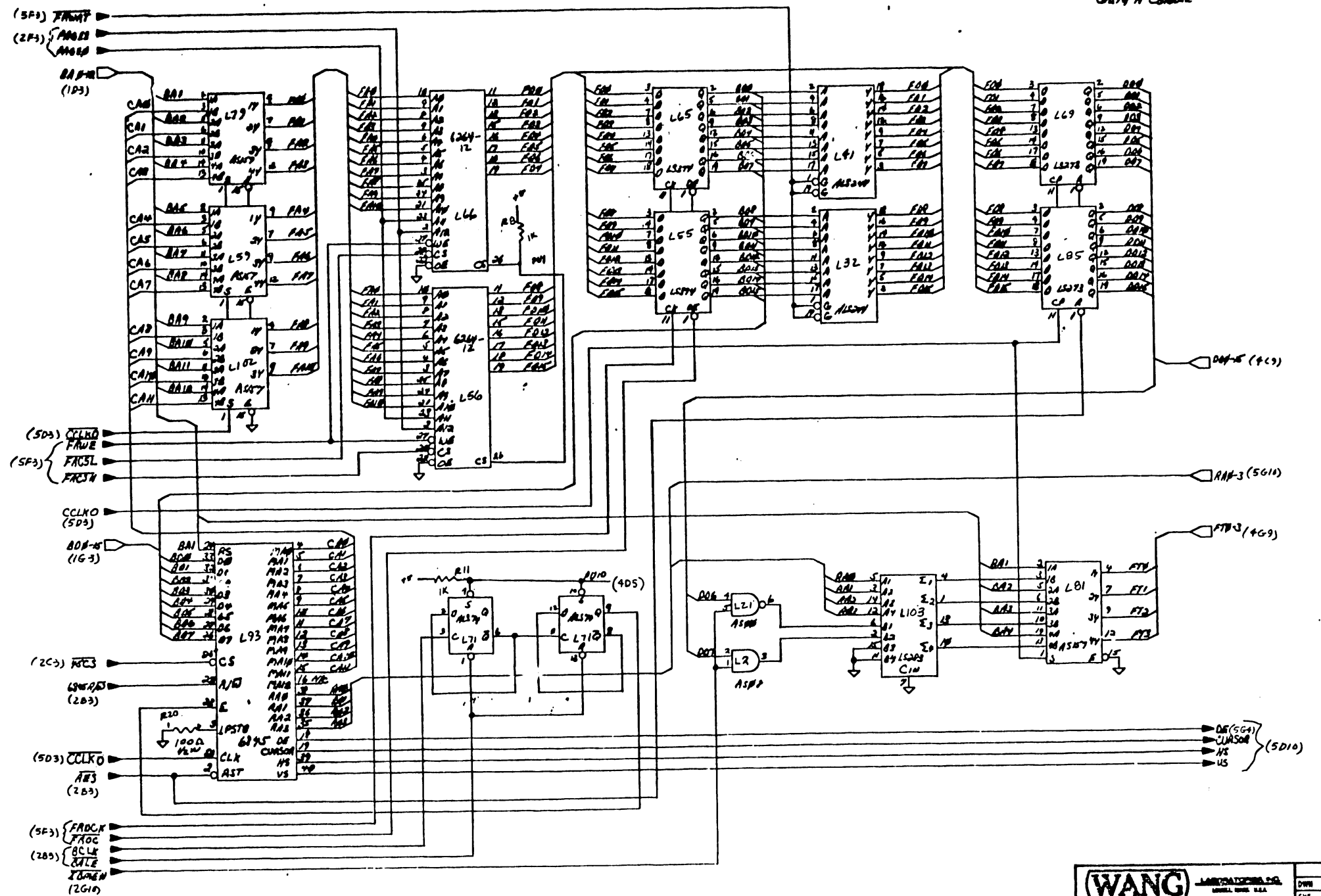


Combo Board
Gary A. Cardone

WANG LABORATORIES, INC. 700 WEST AVENUE, SHELTON, CONNECTICUT 06484		BY CNE	DATE 9/15/87	APPROVED BY M. LINGE	DATE
MATERIAL	RECORD NO. PBC	TITLE COMBINATION MEDIUM RESOLUTION/GRAPHICS CONTROLLER			
FINISH	DATE 10/14/87	548 CHART	D	9543	2

THIS DRAWING AND THE DATA SHOWN THERE ON ARE THE CONFIDENTIAL PROPERTY OF AND ARE PROPRIETARY TO WANG LABORATORIES, INC. THIS DRAWING AND THE DATA SHOWN THEREON MAY NOT BE MADE PUBLIC OR DISCLOSED TO ANY OTHER PARTY WITHOUT THE WRITTEN CONSENT OF WANG LABORATORIES, INC. IF YOU ARE READING THIS DRAWING OR ANY OTHER DRAWING OF THIS COMPANY, IT IS HEREBY UNDERSTOOD AND AGREED THAT YOU ARE TO MAINTAIN THE CONFIDENTIALITY OF THIS COMPANY'S INFORMATION AND TO RETURN ALL ORIGINAL DRAWINGS TO THE COMPANY IMMEDIATELY UPON THE COMPLETION OF YOUR WORK THEREON.

Combo Board
Gary A. Candona



7.7
22
11
10
9
8
7
6
5
4
3
2
1

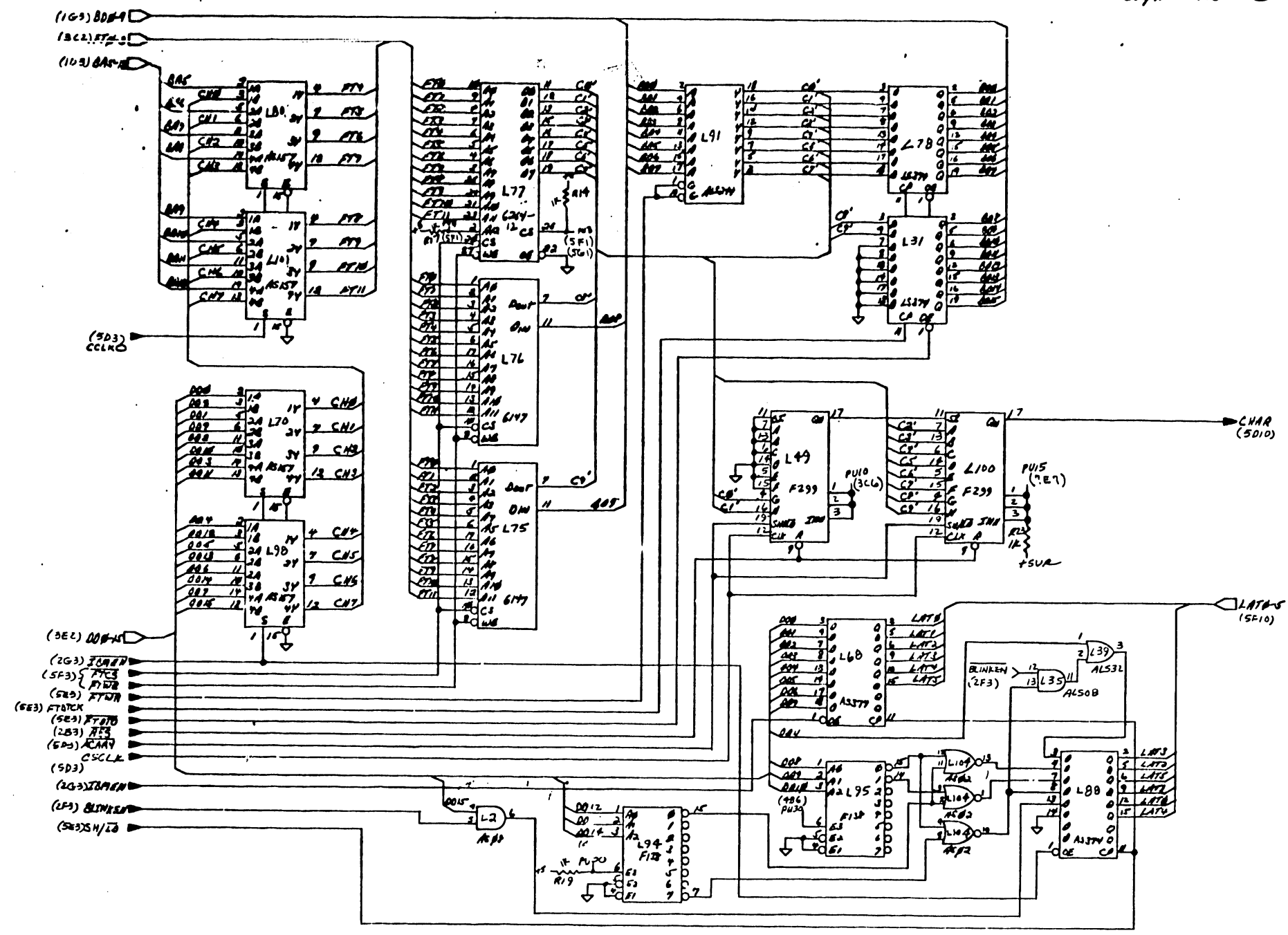
22
17
11
8.5
8.5
11
17
22

REVISION	
1	SEE SHEET B

(WANG)		BY DATE APPROVED BY DATE	
DESIGNED BY		DATE	
DRAWN BY		DATE	
CHECKED BY		DATE	
MATERIAL		MFG. LENSE	
MODEL NO. PBC		TITLE COMBINATION MEDIUM RESOLUTION GRAPHICS CONTROLLER	
FRISK		SEE CHART	D 9543 2
SCALE	DATE	DRAWING NUMBER	REV.

THIS DRAWING AND THE DATA THEREON ARE THE CONFIDENTIAL PROPERTY OF WANG AND ARE LOANED TO YOUR LABORATORY FOR YOUR INFORMATION ONLY. THE DATA THEREON ARE NOT TO BE REPRODUCED OR DISCLOSED TO ANY OTHER PERSON WITHOUT THE WRITTEN CONSENT OF WANG LABORATORIES, INC. FOR ANY REASON. THIS DRAWING IS PERMITTED BY WANG TO LEAVE THE PHYSICAL POSSESSION OF THE COMPANY. IT IS RETURNABLE UPON THE DEMAND OF WANG LABORATORIES, INC.

Combo board
Gory A. Cadore

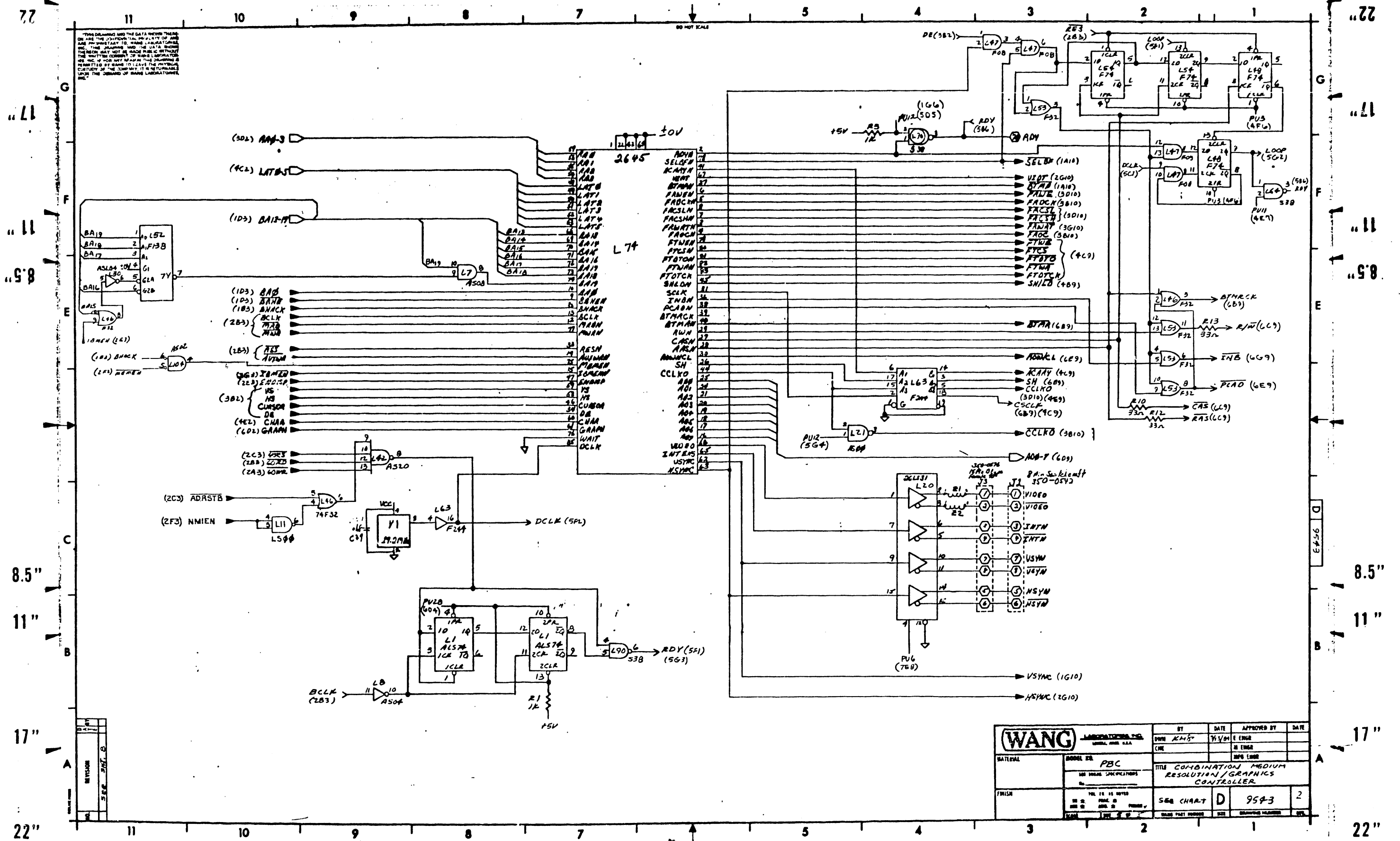


22"
17"
11"
8.5"
8.5"
11"
17"
22"

22"
17"
11"
8.5"
8.5"
11"
17"
22"

REV	DATE	BY	DESCRIPTION
1			
2			

(WANG) LABORATORIES, INC. WANG LABORATORIES, INC. WANG LABORATORIES, INC.		BY	DATE	APPROVED BY	DATE
MATERIAL		OWN	ENG	ENG	
MODEL NO. PBC		TITLE COMBINATION MEDIUM RESOLUTION/GRAPHICS CONTROLLER			
FINISH		560	CHAAT	D	9543
SCALE		DATE PLAT PURCHAS			

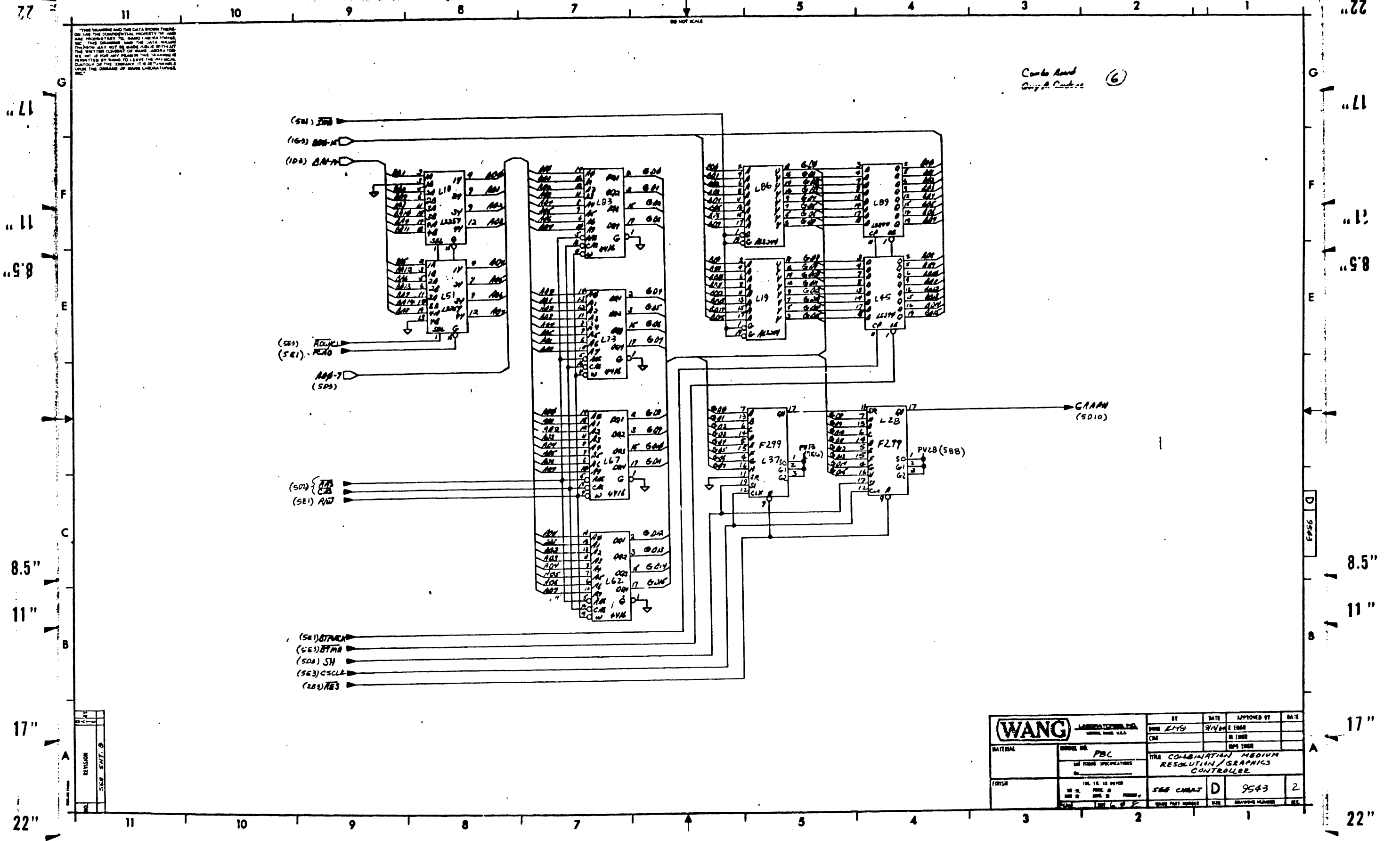
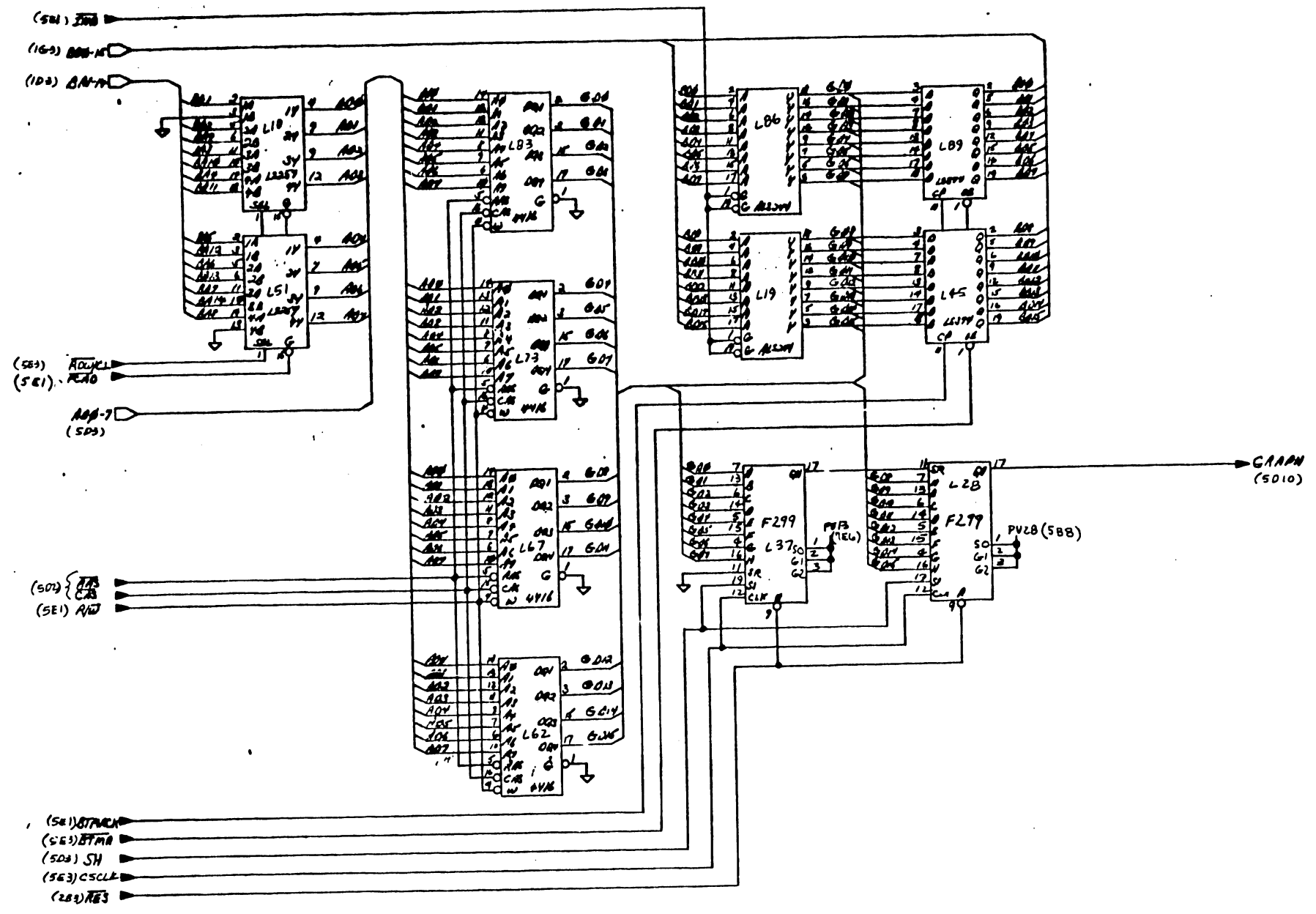


THIS DRAWING AND THE DATA HEREIN THEREON ARE THE PROPRIETARY PROPERTY OF WANG LABORATORIES, INC. AND ARE NOT TO BE REPRODUCED OR TRANSMITTED IN ANY FORM OR BY ANY MEANS, ELECTRONIC OR MECHANICAL, INCLUDING PHOTOCOPYING, RECORDING, OR BY ANY INFORMATION STORAGE AND RETRIEVAL SYSTEM, WITHOUT THE WRITTEN CONSENT OF WANG LABORATORIES, INC. IF YOU ARE A USER OF WANG LABORATORIES EQUIPMENT, YOU AGREE TO HOLD THE PROPRIETARY RIGHTS OF WANG LABORATORIES, INC. IN THE CONFIDENTIALITY OF THE COMPANY. IT IS NOT TO BE REPRODUCED OR TRANSMITTED IN ANY FORM OR BY ANY MEANS, ELECTRONIC OR MECHANICAL, INCLUDING PHOTOCOPYING, RECORDING, OR BY ANY INFORMATION STORAGE AND RETRIEVAL SYSTEM, WITHOUT THE WRITTEN CONSENT OF WANG LABORATORIES, INC.

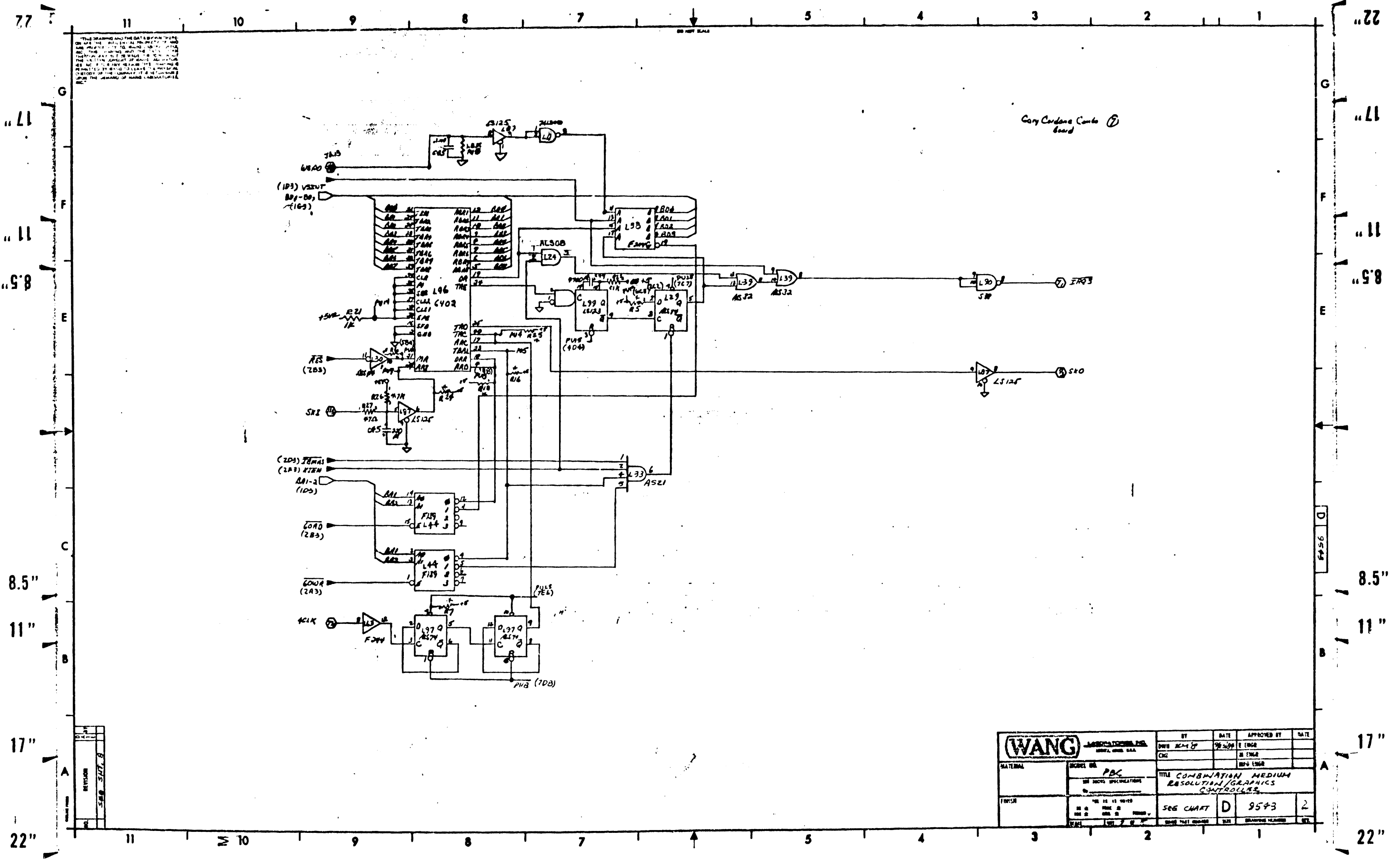
WANG LABORATORIES, INC. COMMERCIAL AND INDUSTRIAL DIVISION		BY DWN KAS	DATE 7/1/81	APPROVED BY E ENGR	DATE
REVISION	MODEL NO. PBC	CHE		INFO LINE	
FINISH	TITLE COMBINATION MEDIUM RESOLUTION/GRAPHICS CONTROLLER		SEE CHART D	954-3	2

THIS DRAWING AND THE DATA HEREON THEREON ARE THE CONFIDENTIAL PROPERTY OF WANG AND SHOULD BE KEPT AS SUCH. NO PART OF THIS DRAWING OR THE DATA HEREON SHOULD BE REPRODUCED OR TRANSMITTED IN ANY FORM OR BY ANY MEANS, ELECTRONIC OR MECHANICAL, INCLUDING PHOTOCOPYING, RECORDING, OR BY ANY INFORMATION STORAGE AND RETRIEVAL SYSTEM, WITHOUT THE WRITTEN CONSENT OF WANG LABORATORIES. NO PART OF THIS DRAWING OR THE DATA HEREON SHOULD BE REPRODUCED OR TRANSMITTED IN ANY FORM OR BY ANY MEANS, ELECTRONIC OR MECHANICAL, INCLUDING PHOTOCOPYING, RECORDING, OR BY ANY INFORMATION STORAGE AND RETRIEVAL SYSTEM, WITHOUT THE WRITTEN CONSENT OF WANG LABORATORIES.

Combo Board
Guy A. Cantore (6)



WANG LABORATORIES, INC. WALTHAM, MASS. U.S.A.		BY	DATE	APPROVED BY	DATE
		DAVE LIND	9/10/68	E. ENGBR	
MODEL NO. PBC SEE FOUR SPECIFICATIONS		TITLE COMBINATION MEDIUM RESOLUTION / GRAPHICS CONTROLLER			
		SEE DRAWING	D	9543	2
PARTS		DATE THIS VERSION	SIZE	DRAWING NUMBER	REV.



THIS DRAWING AND THE DATA HEREON ARE THE PROPERTY OF WANG AND SHALL BE KEPT IN CONFIDENTIALITY. THE INFORMATION CONTAINED HEREIN IS UNCLASSIFIED EXCEPT WHERE SHOWN OTHERWISE. IT IS RELEASED UNDER THE NATIONAL ARCHIVES REF ID: A62401. THE INFORMATION CONTAINED HEREIN IS UNCLASSIFIED EXCEPT WHERE SHOWN OTHERWISE. IT IS RELEASED UNDER THE NATIONAL ARCHIVES REF ID: A62401.

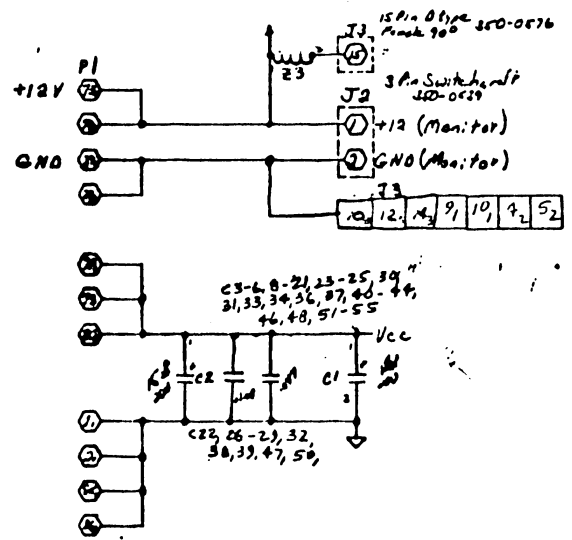
WANG CORPORATION 1000 WASHINGTON BLVD BOSTON, MASS 02114		BY DVS CHK	DATE 9/24/79	APPROVED BY E ENGEL	DATE
MATERIAL	DESIGN NO. PBC	TITLE COMBINATION MEDIUM RESOLUTION GRAPHICS CONTROLLER			
FIGURE	NO. IN SET 1 OF 2	SEE CHART	D	9543	2
DATE	REV	BY	CHK	BRN	ENG

THIS DRAWING AND ALL DATA HEREON ARE THE PROPERTY OF WANG COMPUTER SYSTEMS, INC. AND ARE TO BE KEPT CONFIDENTIAL. NO PART OF THIS DRAWING MAY BE REPRODUCED OR TRANSMITTED IN ANY FORM OR BY ANY MEANS, ELECTRONIC OR MECHANICAL, INCLUDING PHOTOCOPYING, RECORDING, OR BY ANY INFORMATION STORAGE AND RETRIEVAL SYSTEM, WITHOUT THE WRITTEN PERMISSION OF WANG COMPUTER SYSTEMS, INC. THE COMPANY IS NOT RESPONSIBLE FOR THE DAMAGE TO OR LOSS OF THIS DRAWING OR THE INFORMATION CONTAINED THEREON.

Combo Board
Gary A. Conroe

Board Design of Oscillator.

- 1) All components must be placed close to ILS device.
- 2) Pin 3 signal line and Pin 9 signal line must not run parallel or near each other.
- 3) Signal of power lines must not cross or go near the Oscillator circuit. The resistors between Q1, Q2 and other pins should be over 10KΩ.



TYPE	LOCATION	SPACE
74AS08	L7	1
74AS21	L33	1
74AS32	L46	1
74S58	L64	3
74AS24	L38	1
74LS123	L99	1
74LS125	L87	1

210-209+377 02 978				
10	209	L74	L73	L96
9503-A	9543	376-6009	377-0479	377-0375

NOTE:
1) ALL RESISTORS ARE 1/4W 5% UNLESS OTHERWISE SPECIFIED.
2) PARTS LIST IS SHOWN ON SHEETS 7 & 10.

E-REV
2

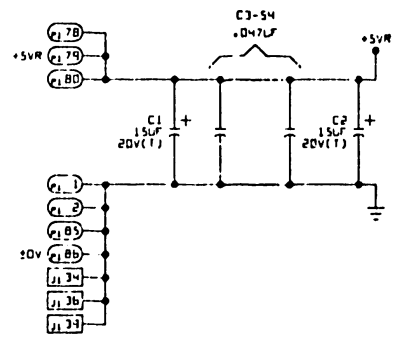
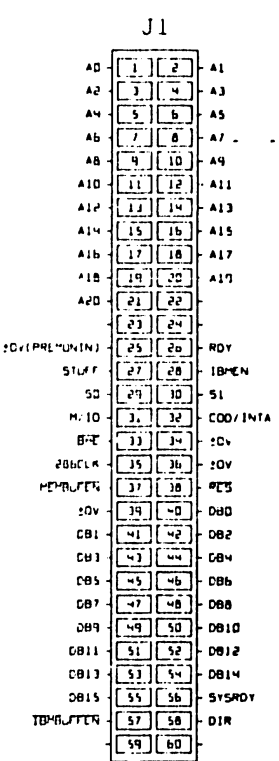
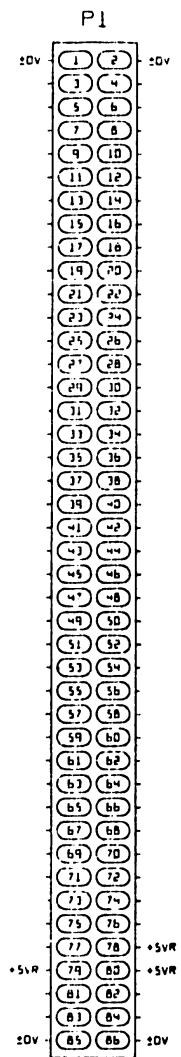
REV	DATE	BY	APP'D	DESCRIPTION
1				ORIGINAL
2				REVISED PER UCR#00533 ADD
3				REVISED PER DEC#00502 DEC#00503 DEC#00504 DEC#00505 DEC#00506 DEC#00507 DEC#00508 DEC#00509 DEC#00510 DEC#00511 DEC#00512 DEC#00513 DEC#00514 DEC#00515 DEC#00516 DEC#00517 DEC#00518 DEC#00519 DEC#00520 DEC#00521 DEC#00522 DEC#00523 DEC#00524 DEC#00525 DEC#00526 DEC#00527 DEC#00528 DEC#00529 DEC#00530 DEC#00531 DEC#00532 DEC#00533 DEC#00534 DEC#00535 DEC#00536 DEC#00537 DEC#00538 DEC#00539 DEC#00540 DEC#00541 DEC#00542 DEC#00543 DEC#00544 DEC#00545 DEC#00546 DEC#00547 DEC#00548 DEC#00549 DEC#00550 DEC#00551 DEC#00552 DEC#00553 DEC#00554 DEC#00555 DEC#00556 DEC#00557 DEC#00558 DEC#00559 DEC#00560 DEC#00561 DEC#00562 DEC#00563 DEC#00564 DEC#00565 DEC#00566 DEC#00567 DEC#00568 DEC#00569 DEC#00570 DEC#00571 DEC#00572 DEC#00573 DEC#00574 DEC#00575 DEC#00576 DEC#00577 DEC#00578 DEC#00579 DEC#00580 DEC#00581 DEC#00582 DEC#00583 DEC#00584 DEC#00585 DEC#00586 DEC#00587 DEC#00588 DEC#00589 DEC#00590 DEC#00591 DEC#00592 DEC#00593 DEC#00594 DEC#00595 DEC#00596 DEC#00597 DEC#00598 DEC#00599 DEC#00600

WANG		DATE	APPROVED BY	DATE
MATERIAL	SCALE	DATE	APPROVED BY	DATE
DESCRIPTION	SCALE	DATE	APPROVED BY	DATE
TITLE COMBINATION MEDIUM RESOLUTION GRAPHICS CONTROLLER		DATE	APPROVED BY	DATE
REV	DATE	BY	APP'D	DESCRIPTION
1				SEE CHART
2				
3				
4				
5				
6				
7				
8				
9				
10				
11				
12				
13				
14				
15				
16				
17				
18				
19				
20				
21				
22				

THIS DRAWING IS THE PROPERTY OF WANG LABORATORIES, INC. IT IS TO BE USED ONLY FOR THE PROJECT AND FOR WHICH IT WAS PREPARED. IT IS NOT TO BE REPRODUCED OR TRANSMITTED IN ANY FORM OR BY ANY MEANS, ELECTRONIC OR MECHANICAL, INCLUDING PHOTOCOPYING, RECORDING, OR BY ANY INFORMATION STORAGE AND RETRIEVAL SYSTEM, WITHOUT THE WRITTEN PERMISSION OF WANG LABORATORIES, INC.

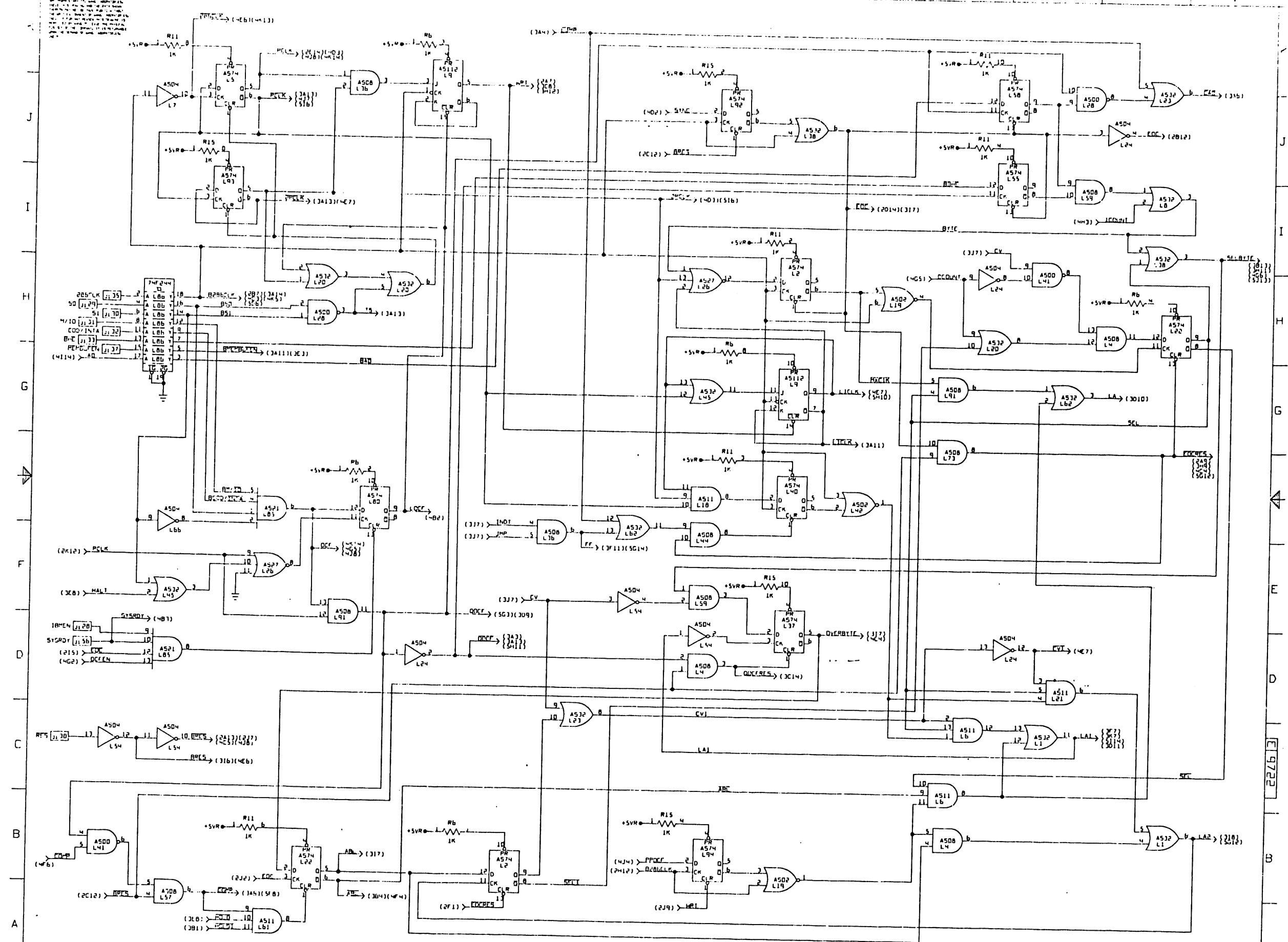
- NOTES
1. ALL RESISTOR VALUES IN OHMS.
 2. ALL CAPACITOR VALUES IN MICROFARADS UNLESS OTHERWISE INDICATED.
 3. ALL RESISTORS 1/4W 5% UNLESS OTHERWISE INDICATED.

PNEMONICS	COORD.	IC TYPE	LOCATION	SPARES
AD APD	4114	74AS10	L41	1
B-E	2H14			
COO/INTA	2H14	74AS28	L36	1
DBC-DB15	3J1			
DIR	3A7	74AS10	L9b	1
IMEN	2D14	74AS11	L78	1
TDH-FTEN	3A8	74AS10	L10	1
M-10	2H14	74AS21	L84	1
MEM/FTEN	2D14	74AS27	L15	1
RFS	2C14	74AS12	L1	1
NOV	4B1	74AS12	L38	1
SYSRDY	2D14	74AS74	L43	1
SD	2H14			
S1	2H14			
STUFF	3A8	74AS112	L9	1
28BCLK	2H14			



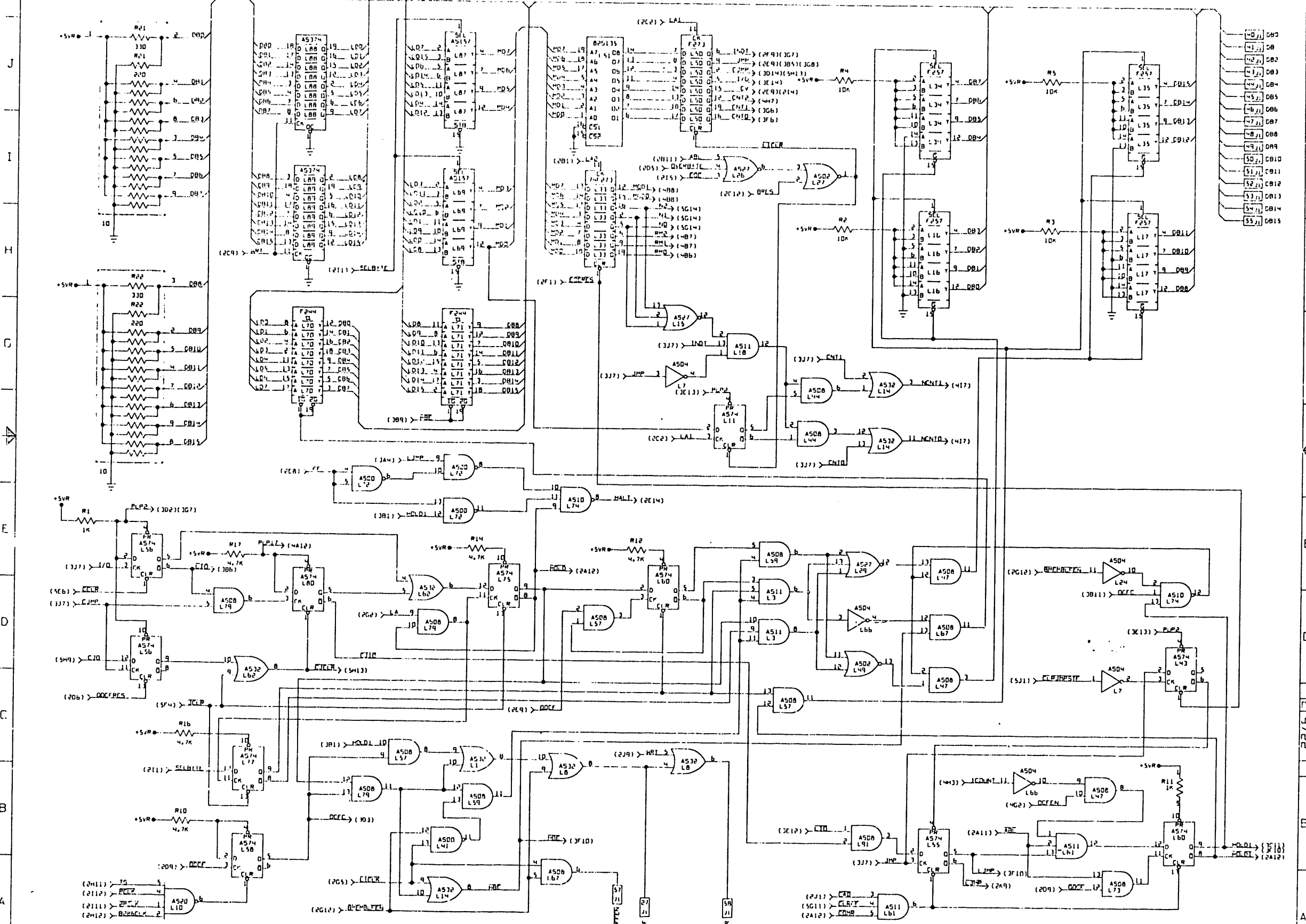
		SCHEMATIC DIAGRAM	
		TITLE	
DWG. NO. APC WANG PART NUMBER 210-9722		DWG. NO. EHW ENG. H.C. DIR	
SCALE 1/2" = 1"		SHEET 1 OF 5	
SIZE 2 1/2" x 3 1/2"		DRAWING NUMBER 9722	
REV 0		N	

14 13 12 11 10 9 8 7 6 5 4 3 2 1

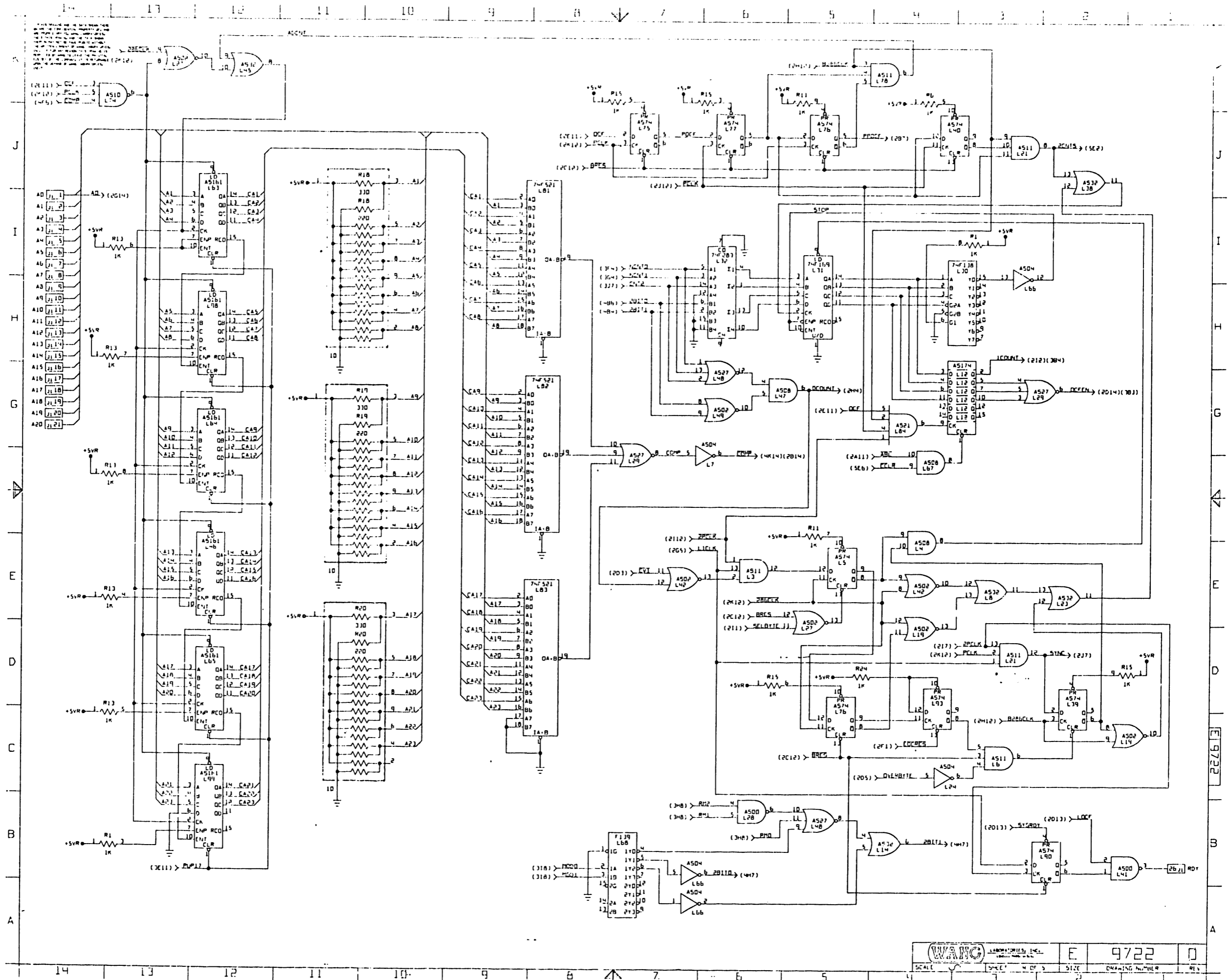


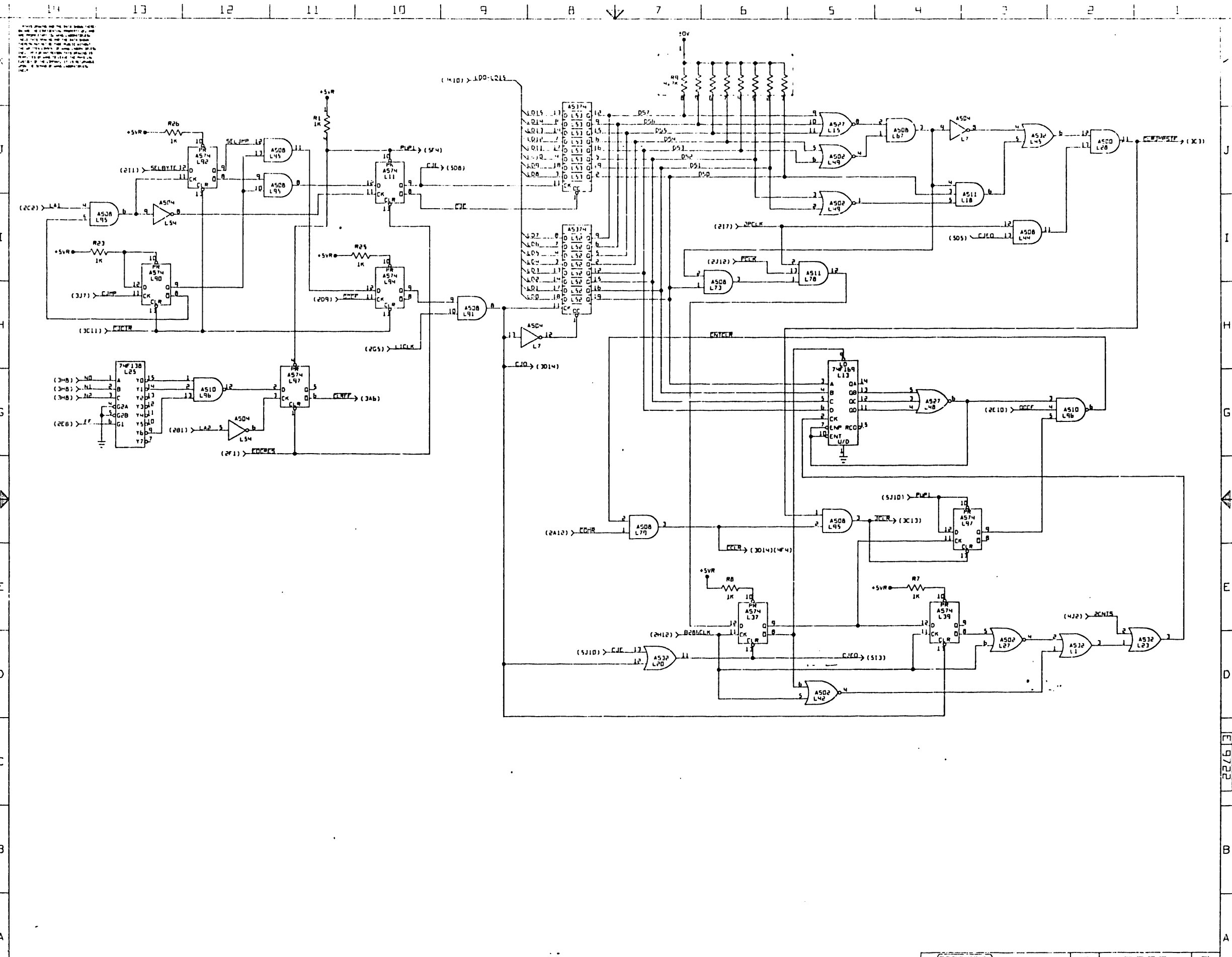
14 13 12 11 10 9 8 7 6 5 4 3 2 1


 WAVCO ELECTRONICS, INC.
 5400 WILSON AVENUE
 CHICAGO, ILL. 60630
 SCALE: 1:1 SHEET 2 OF 5 SIZE: 11x17 DRAWING NUMBER: 9722 REV: 0



- DB0
- DB1
- DB2
- DB3
- DB4
- DB5
- DB6
- DB7
- DB8
- DB9
- DB10
- DB11
- DB12
- DB13
- DB14
- DB15





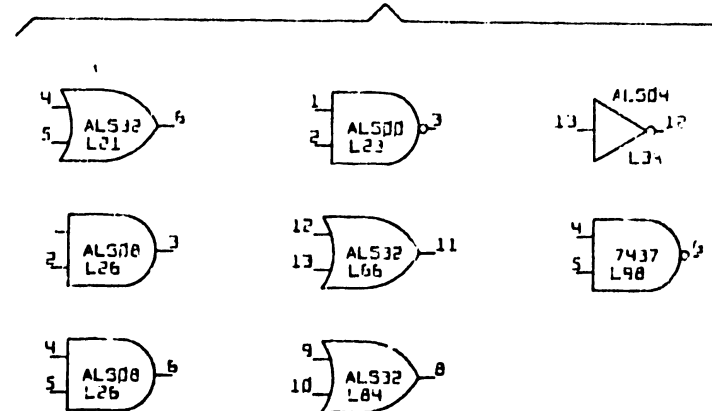
WANG LABORATORIES, INC.		E	9722	0
SCALE	SHEET 5 OF 5	SIZE	DRAWING NUMBER	REV

UU-5

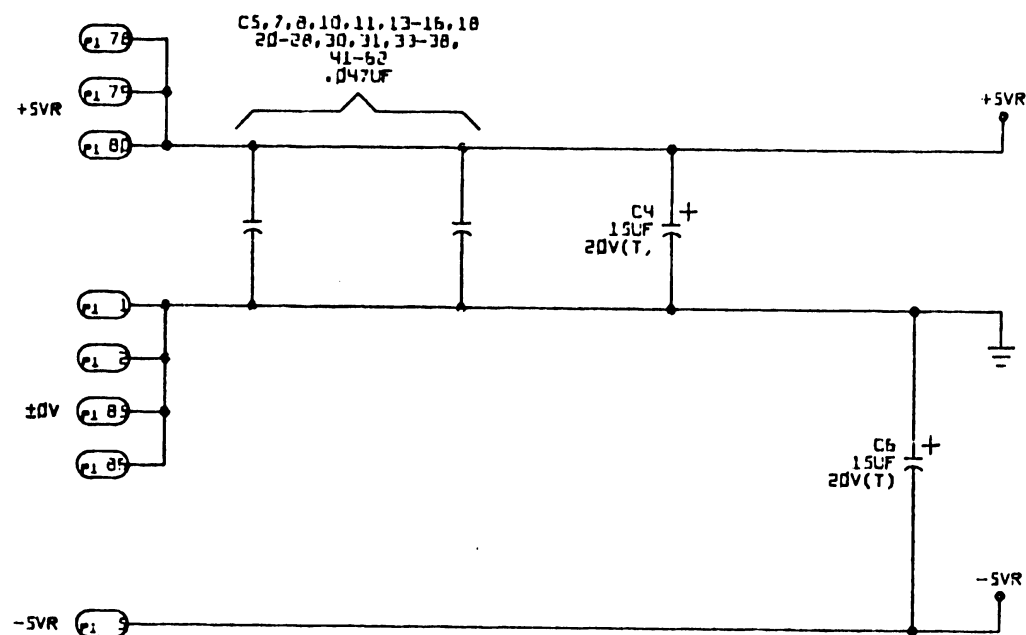
NOTES

1. ALL RESISTOR VALUES IN OHMS.
2. ALL CAPACITOR VALUES IN MICROFARADS UNLESS OTHERWISE INDICATED.
3. ALL RESISTORS 1/4W 5% UNLESS OTHERWISE INDICATED.

SPARES



MNEMONIC	COORD
DACK1	5E11
DACK2	6D11
DACK3	6D11
DREQ1	6F1
DREQ2	6F1
DREQ3	6F1
IN	7G3
YDR	6G11
YDR	6G11
YRQ4	6C1
OUT	7C1
PA0	5B11
PA1	6G4
PA2	5E11
PA7	5G11
PA0-PA11	6F11
PBRE	5A11
PDR	3D11
SD0	6E11
SID0	6F11
SID1	6F11
SID2	6F11
SID3	6F11
SIG GND	7G3
Z0-Z15	6C11
4CLK	6G4



210 = 209 + 377 OR 378								
210	209	L1	L8	L12,13	L18	L19	L56,76	L92-95
848/A	8487	377-0506	377-0504	377-0405	377-0493	376-0259	377-0428	377-0476

WANG LABORATORIES, INC.		SCHEMATIC DIAGRAM		
TITLE		PRGM SIGNAL PROCESSOR		
BD M/L		DWN JSW CHK		
ENG DD:R		REV		
MODEL NUMBER	WANG PART NUMBER	D	8487	4
PBC	SEE CHART	SIZE	DRAWING NUMBER	REV
SCALE	SHEET 1 OF 7			

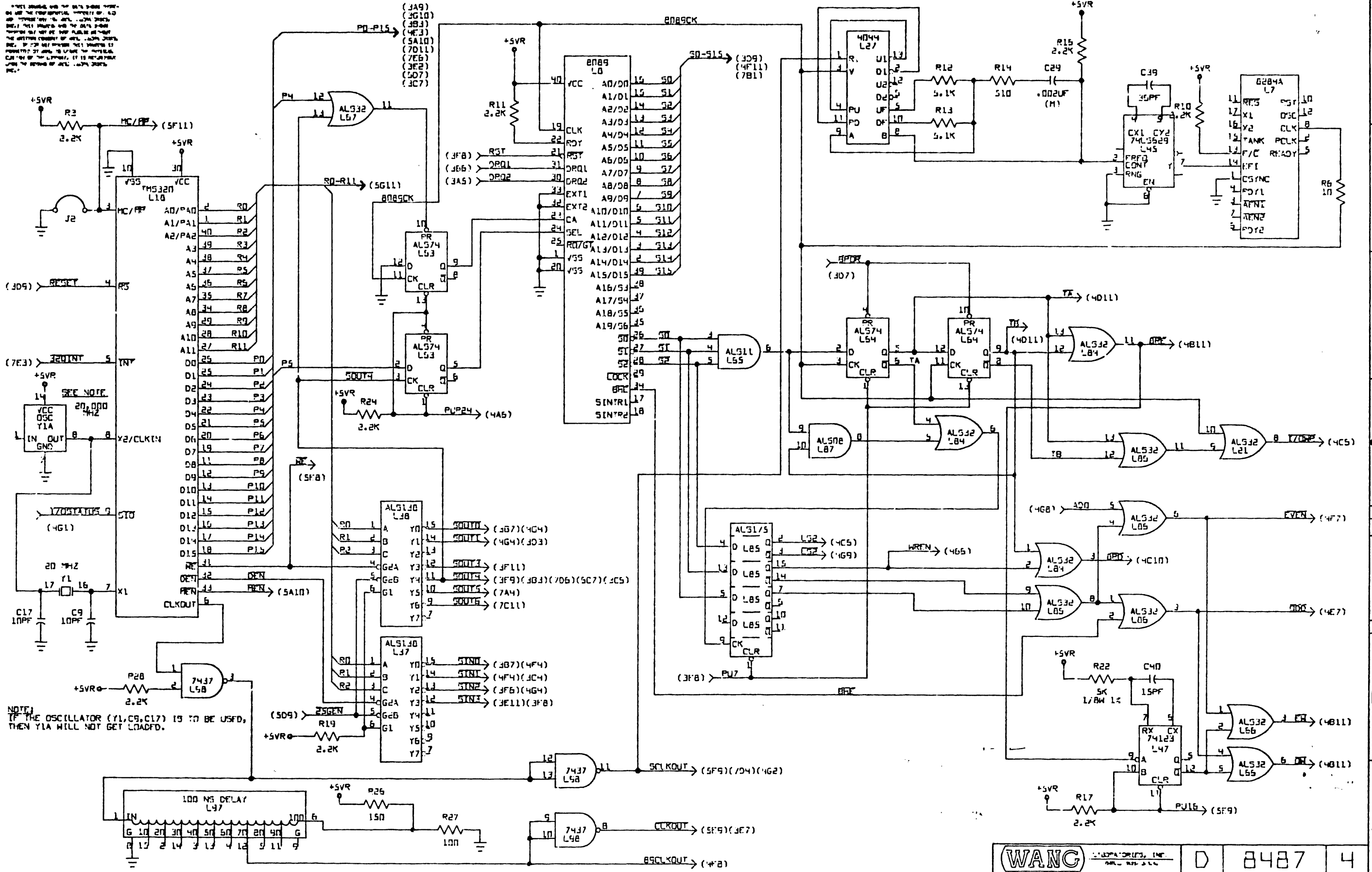
E REV
3 N

8.5"

8.5"

11"

NOTE: THIS BOARD IS TO BE USED WITH THE TMS320 L18 IC. THE BOARD IS TO BE USED WITH THE TMS320 L18 IC. THE BOARD IS TO BE USED WITH THE TMS320 L18 IC. THE BOARD IS TO BE USED WITH THE TMS320 L18 IC. THE BOARD IS TO BE USED WITH THE TMS320 L18 IC.

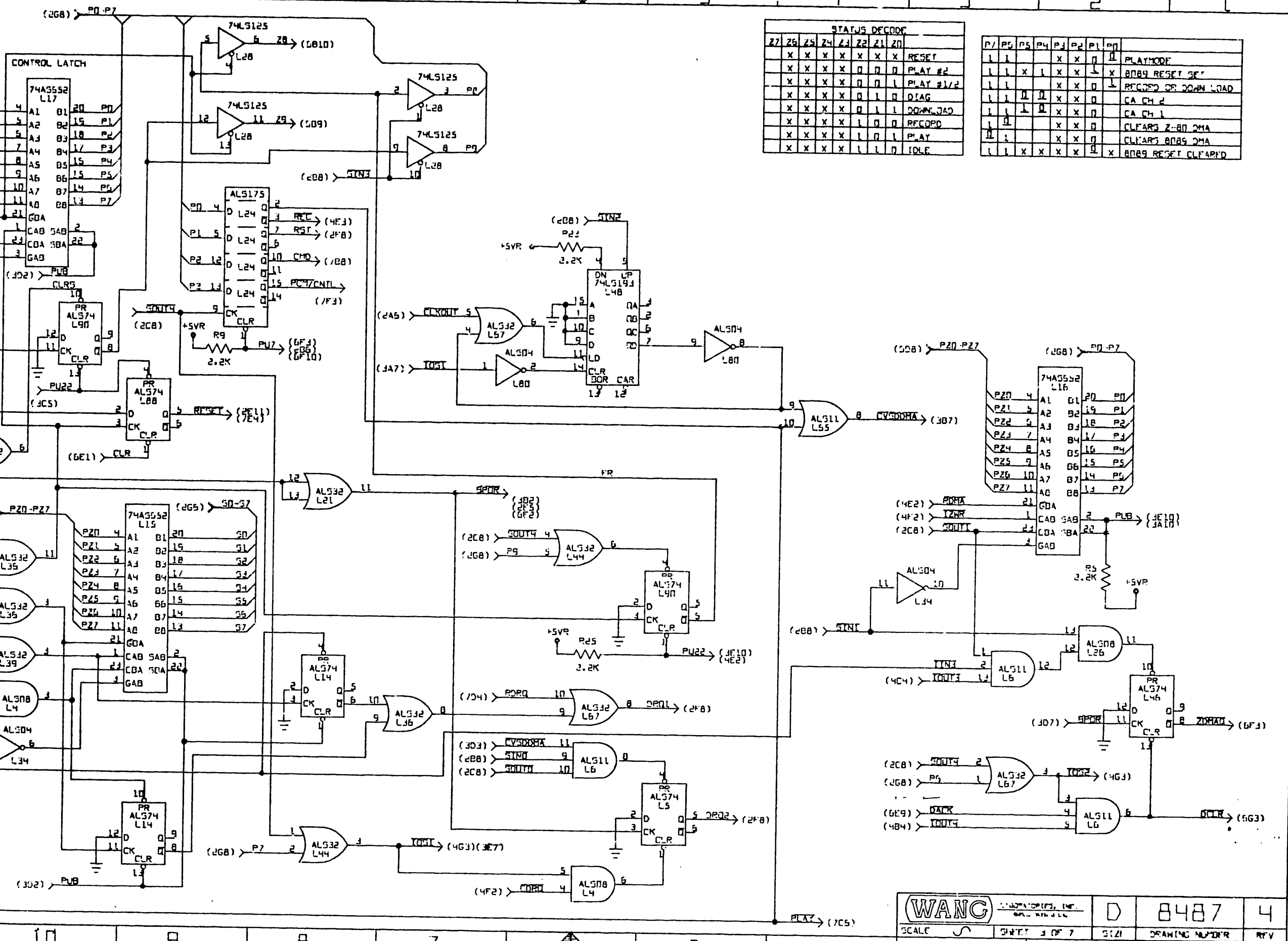


(WANG)		D 8487	4
SCALE	SHEET 2 OF 7	SIZE	DRAWING NUMBER
			REV

VV2

11
8.5"
8.5"
11"

NOTE: 1. THIS CIRCUIT IS THE DATA SOURCE FOR THE PLAY MODE. THE PLAY MODE IS THE ONLY MODE WHERE THE PLAY MODE IS ACTIVE. THE PLAY MODE IS ACTIVE WHEN THE PLAY MODE IS ACTIVE. THE PLAY MODE IS ACTIVE WHEN THE PLAY MODE IS ACTIVE.



STATUS DECODE							
Z7	Z6	Z5	Z4	Z3	Z2	Z1	Z0
X	X	X	X	X	X	X	X
X	X	X	X	0	0	0	0
X	X	X	X	0	0	1	0
X	X	X	X	0	1	0	0
X	X	X	X	0	1	1	0
X	X	X	X	1	0	0	0
X	X	X	X	1	0	1	0
X	X	X	X	1	1	0	0

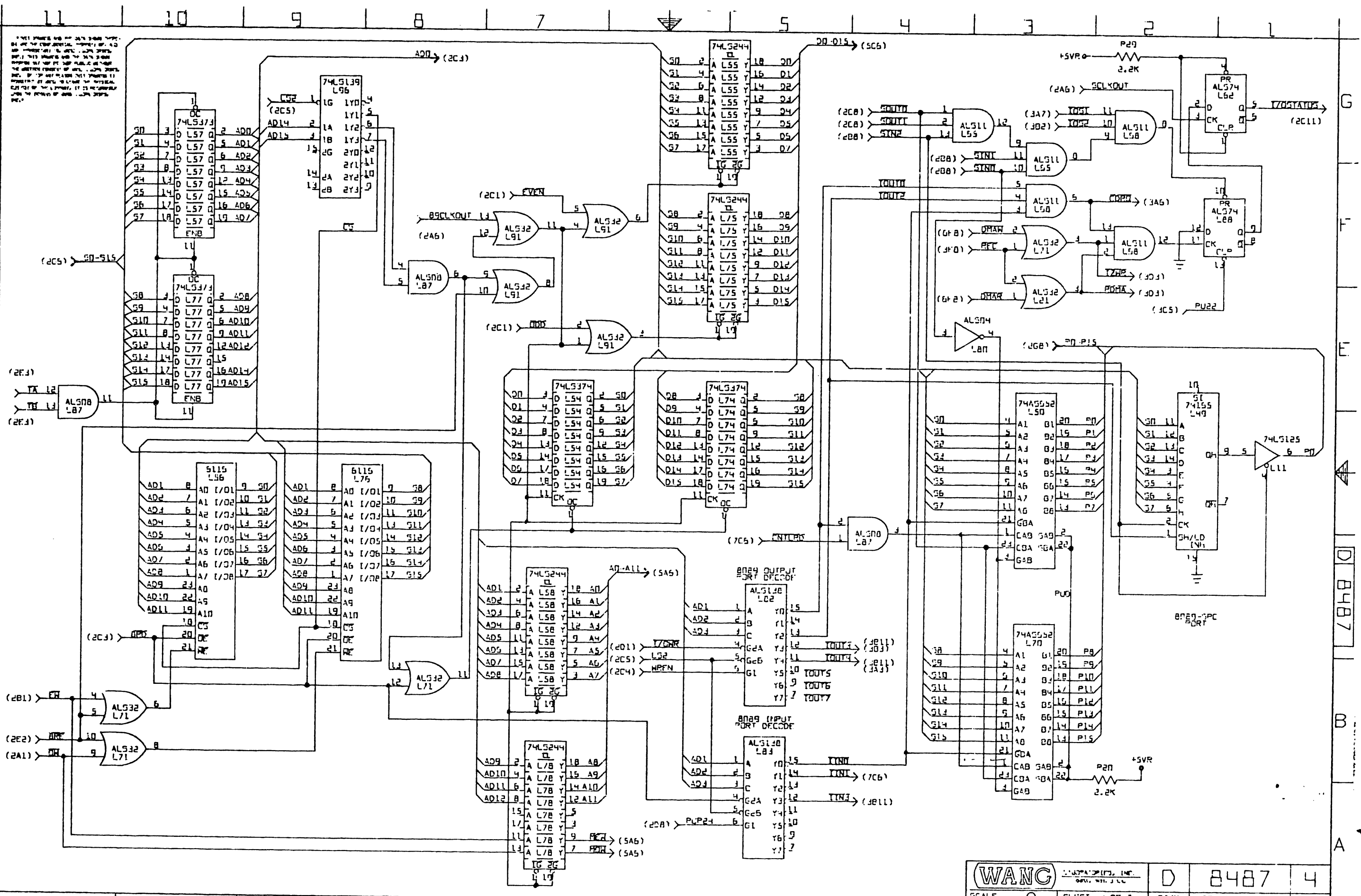
P7	P6	P5	P4	P3	P2	P1	P0
1	1	1	1	X	X	0	0
1	1	1	1	X	X	1	X
1	1	1	1	X	X	0	1
1	1	1	1	0	0	X	X
1	1	1	1	0	0	X	0
1	1	1	1	0	0	X	1
1	1	1	1	0	0	X	X
1	1	1	1	0	0	X	0
1	1	1	1	0	0	X	1

WANG CORPORATION, INC. 8487 4
SCALE 1:1 SHEET 3 OF 7 SIZE DRAWING NUMBER REV

11
8.5"

8.5"

11"

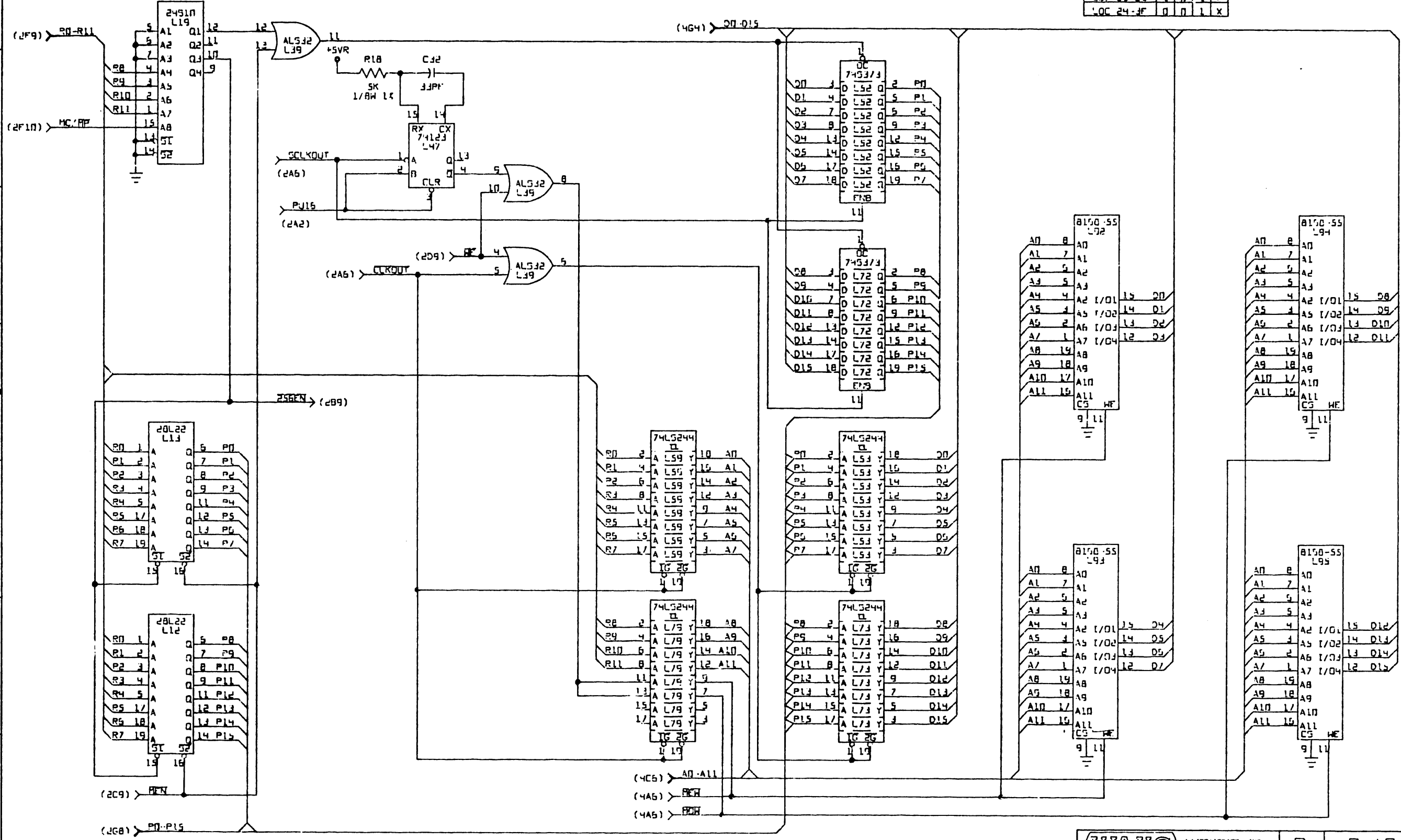


11
8.5"

8.5"
11"

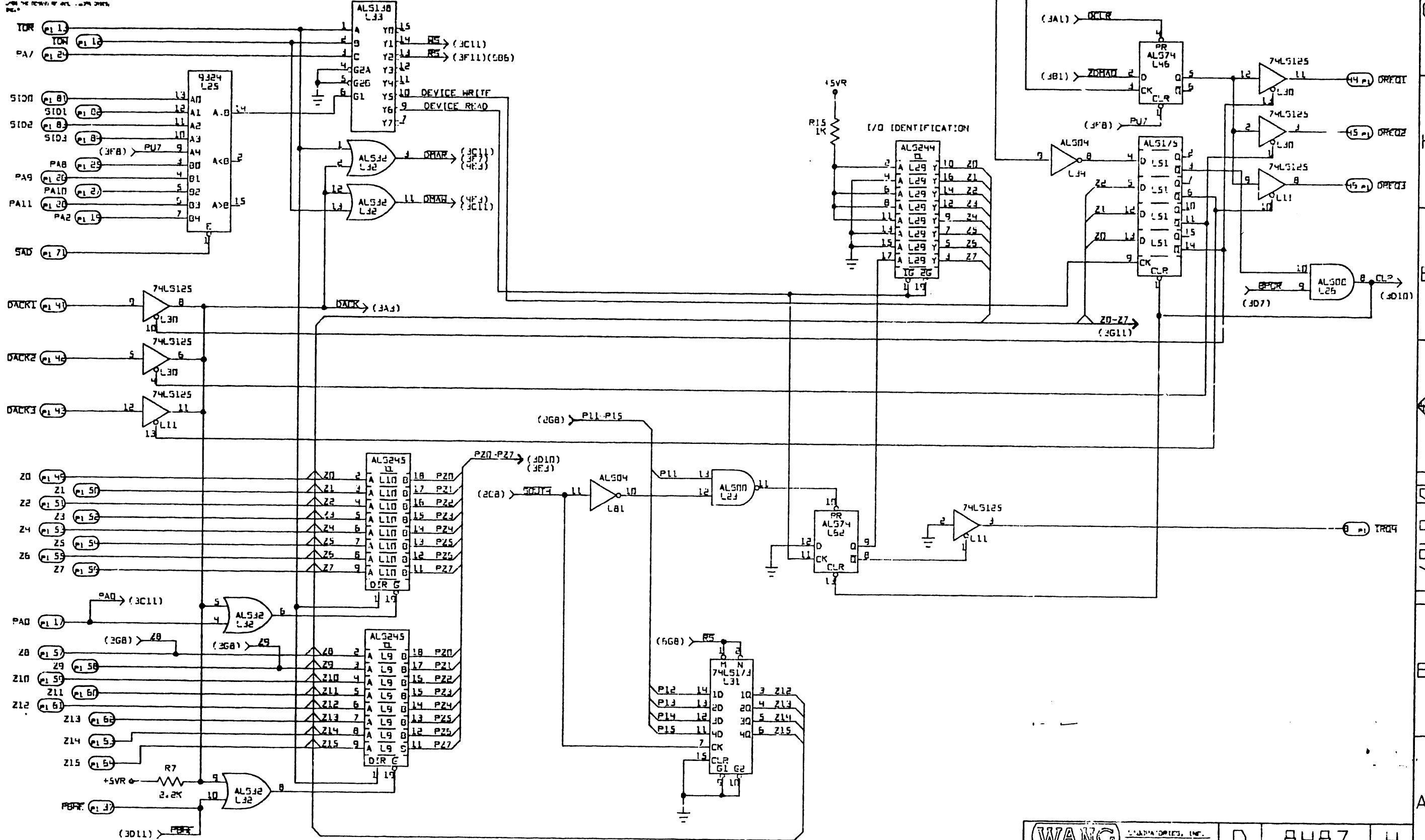
THIS DRAWING IS THE PROPERTY OF WANG
AND THE INFORMATION CONTAINED HEREIN
IS UNCLASSIFIED EXCEPT WHERE SHOWN
OTHERWISE. IT IS THE PROPERTY OF WANG
AND IS NOT TO BE REPRODUCED OR
TRANSMITTED IN ANY FORM OR BY ANY
MEANS, ELECTRONIC OR MECHANICAL,
INCLUDING PHOTOCOPYING, RECORDING,
OR BY ANY INFORMATION STORAGE
RETRIEVAL SYSTEM, WITHOUT THE
WRITTEN PERMISSION OF WANG.

ROM CONTENTS				
LOC 00	1	1	0	X
LOC 01-1F	0	0	1	X
LOC 20	1	1	1	X
LOC 21-2F	1	0	1	X
LOC 30-3F	0	0	1	X



(WANG) SCALE S	SHEET 5 OF 7	SIZE D	8487	4
			DRAWING NUMBER	REV

THIS DRAWING IS THE PROPERTY OF WANG LABORATORIES, INC. AND IS NOT TO BE REPRODUCED OR TRANSMITTED IN ANY FORM OR BY ANY MEANS, ELECTRONIC OR MECHANICAL, INCLUDING PHOTOCOPYING, RECORDING, OR BY ANY INFORMATION STORAGE AND RETRIEVAL SYSTEM. THE DESIGN OF THIS DRAWING IS THE PROPERTY OF WANG LABORATORIES, INC. AND IS NOT TO BE REPRODUCED OR TRANSMITTED IN ANY FORM OR BY ANY MEANS, ELECTRONIC OR MECHANICAL, INCLUDING PHOTOCOPYING, RECORDING, OR BY ANY INFORMATION STORAGE AND RETRIEVAL SYSTEM. THE DESIGN OF THIS DRAWING IS THE PROPERTY OF WANG LABORATORIES, INC. AND IS NOT TO BE REPRODUCED OR TRANSMITTED IN ANY FORM OR BY ANY MEANS, ELECTRONIC OR MECHANICAL, INCLUDING PHOTOCOPYING, RECORDING, OR BY ANY INFORMATION STORAGE AND RETRIEVAL SYSTEM.

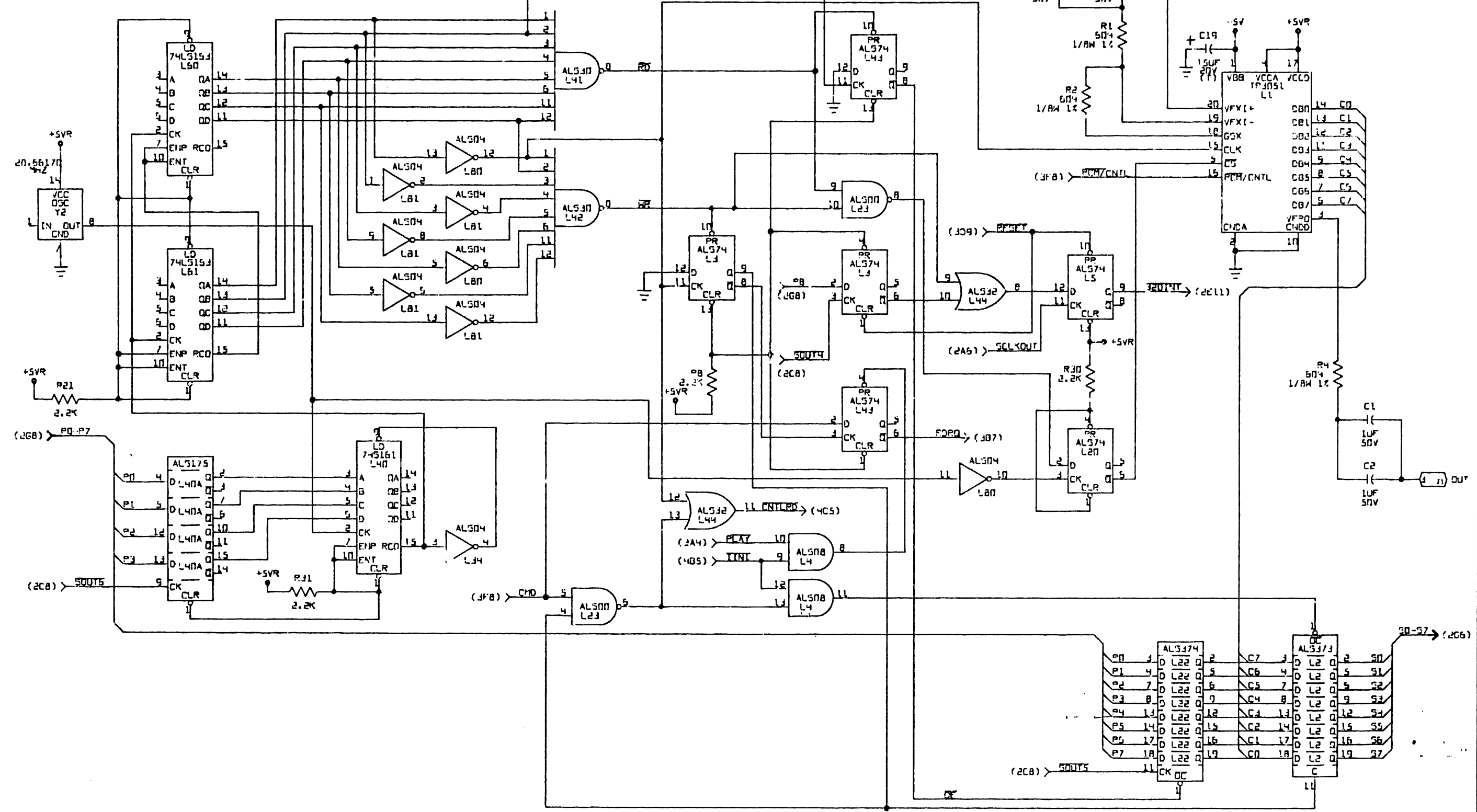


WANG LABORATORIES, INC.		D	8487	4
SCALE	SHIFT 6 OF 7	SIZE	DRAWING NUMBER	REV

11
8.5"

8.5"
11"

THIS DRAWING AND THE DATA THEREON ARE THE PROPERTY OF WANG AND ARE NOT TO BE REPRODUCED OR TRANSMITTED IN ANY FORM OR BY ANY MEANS, ELECTRONIC OR MECHANICAL, INCLUDING PHOTOCOPYING, RECORDING, OR BY ANY INFORMATION STORAGE AND RETRIEVAL SYSTEM, WITHOUT THE WRITTEN CONSENT OF WANG. THIS DRAWING IS UNCLASSIFIED AND IS NOT TO BE REPRODUCED OR TRANSMITTED IN ANY FORM OR BY ANY MEANS, ELECTRONIC OR MECHANICAL, INCLUDING PHOTOCOPYING, RECORDING, OR BY ANY INFORMATION STORAGE AND RETRIEVAL SYSTEM, WITHOUT THE WRITTEN CONSENT OF WANG.



WANG		WANG ELECTRONICS, INC.	D	8487	4
SCALE	SHEET 7 OF 7	SIZE	DRAWING NUMBER	REV	

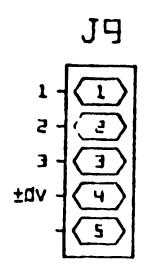
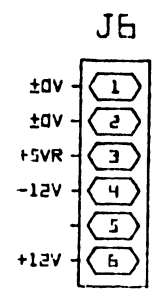
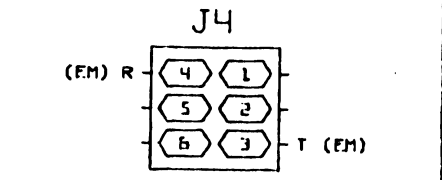
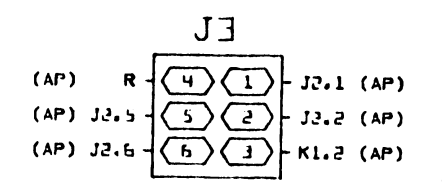
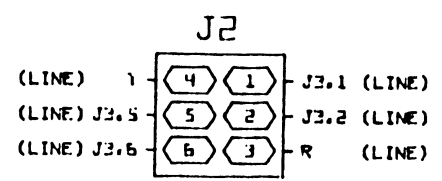
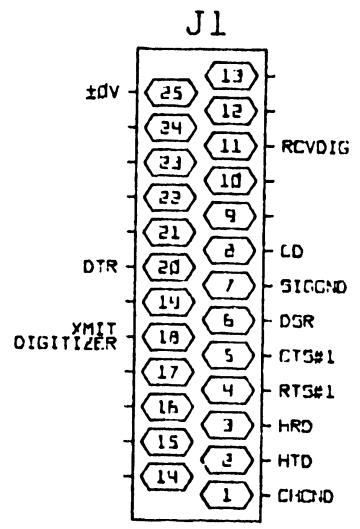
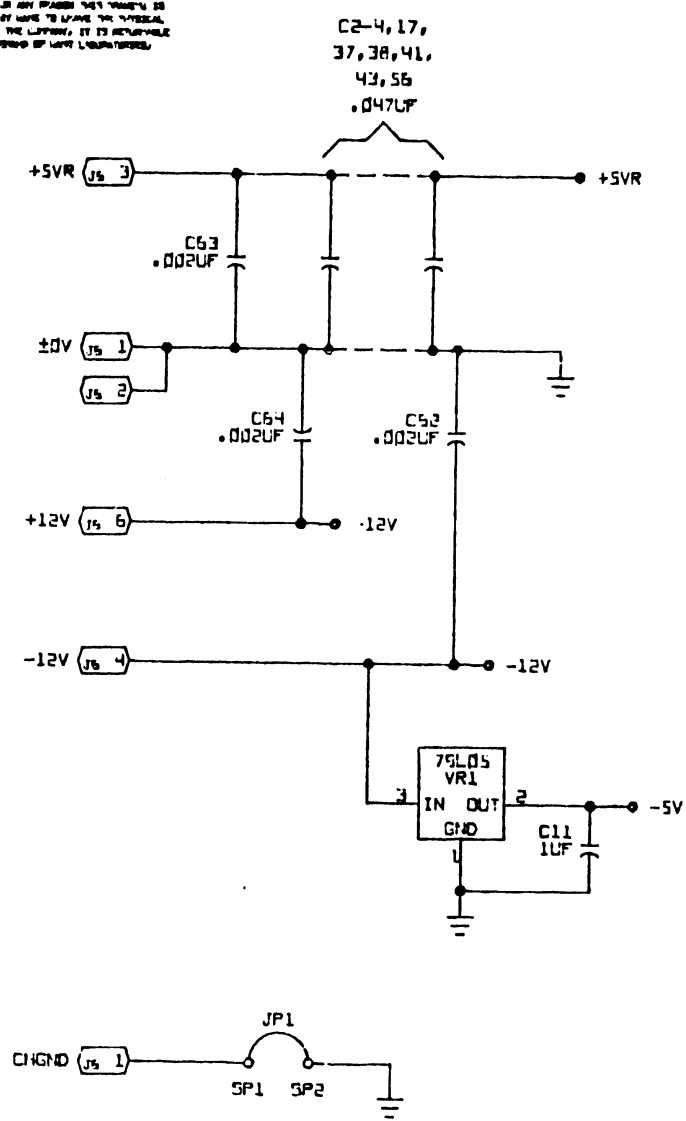
VW7

NOTES

1. ALL RESISTOR VALUES IN OHMS.
2. ALL CAPACITOR VALUES IN MICROFARADS UNLESS OTHERWISE INDICATED.
3. ALL RESISTORS 1/4W 5% UNLESS OTHERWISE INDICATED.

MNEMONICS	COORD.
CD	2A7
CTS#1	2A5
DSR	2A8
DTR	2F11
HRD	2A7
HTD	2F11
RCVDIG	3A4
RING	3F1
RTS#1	2F11
TIP	3F1
XMITDIGITIZER	
1	2A11
2	2A11
3	2A11
AUX PHONE	3F1
LINE	3E1
EX MODEM	3D1

IC TYPE	LOCATION	SPARES
MC1489	L12	1
RC4136N	L12A	2
NF571	L13	1
74LS08	L5	2
74LS74	L5A	1
74LS14	L3A	2



E REV



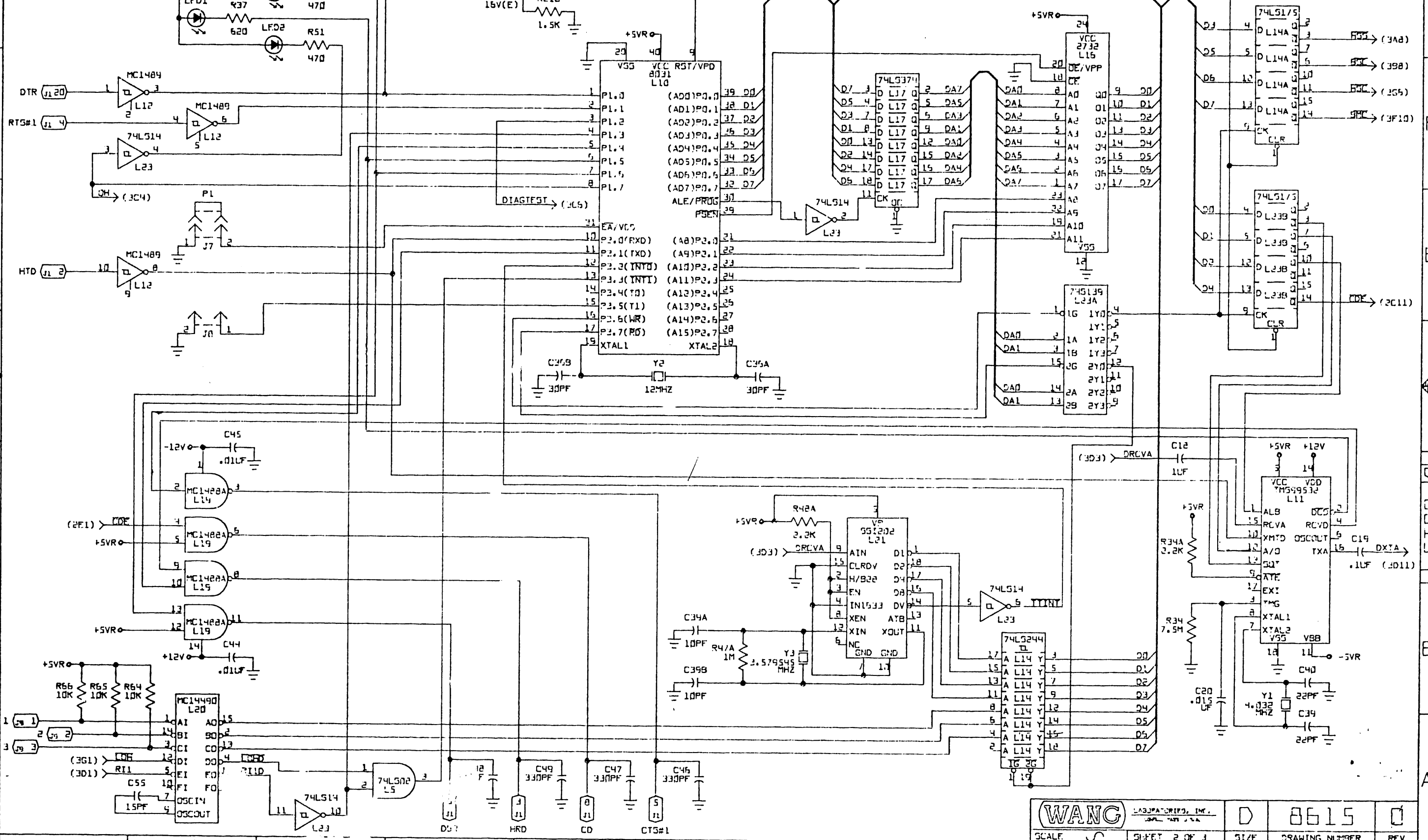
N

(WANG) LABORATORIES, INC. LABOR. PART. 2-6-66		SCHEMATIC DIAGRAM		
TITLE VA-302 PSP ONE LINE		DWN JSH/CHK ENG AT/DIR		
SCALE 3	SHEET 1 OF 3	SIZE D	DRAWING NUMBER 8615	REV 0

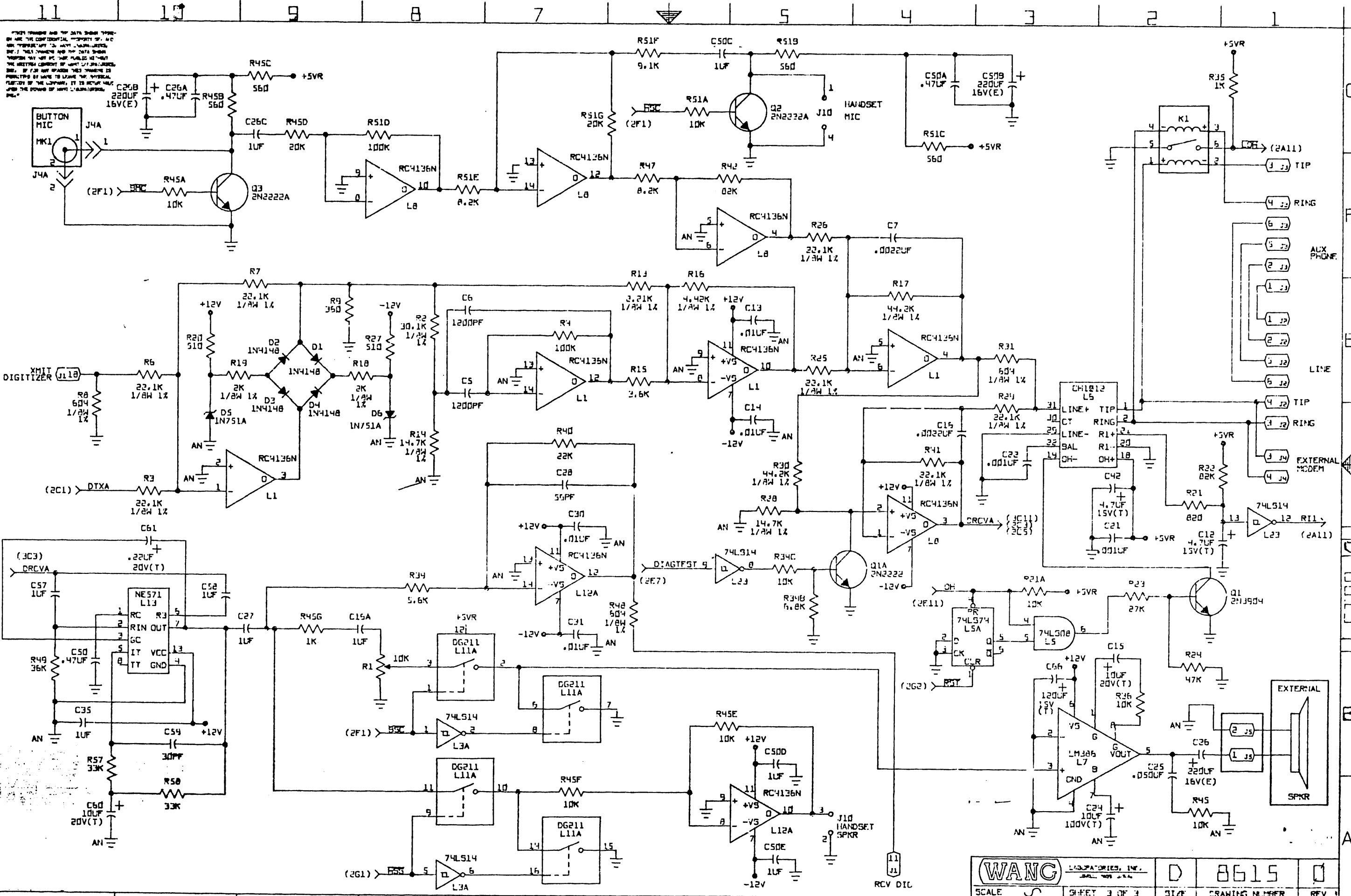
WW1

11
8.5"
8.5"
11"

THIS DRAWING AND THE DATA SHOWN THEREON ARE THE CONFIDENTIAL PROPERTY OF WANG LABORATORIES, INC. AND WILL BE MADE PUBLIC WITHOUT THE WRITTEN CONSENT OF WANG LABORATORIES, INC. IF FOR ANY REASON THIS DRAWING IS REPRODUCED OR COPIED, THE ORIGINAL CUSTODY OF THIS DRAWING IS REMAINING WITH THE COMPANY. IT IS UNLAWFUL FOR THE POWER OF ANY LIBRARIAN, USER, OR OTHER PERSON TO REPRODUCE OR COPIY THIS DRAWING WITHOUT THE WRITTEN CONSENT OF WANG LABORATORIES, INC.



THIS DRAWING AND THE DATA SHEET THEREON ARE THE CONFIDENTIAL PROPERTY OF WANG LABORATORIES, INC. ANY REPRODUCTION OR DISSEMINATION OF THIS DRAWING OR THE DATA SHEET THEREON WITHOUT THE WRITTEN CONSENT OF WANG LABORATORIES, INC. IS PROHIBITED. THIS DRAWING IS FURNISHED BY WANG TO LEASEE FOR THE EXCLUSIVE USE OF THE LEASEE. IT IS RETURNED TO WANG UPON THE EXPIRE OF THE LEASE OR UPON THE DEMAND OF WANG LABORATORIES, INC.



WANG LABORATORIES, INC.		D	8615	0
SCALE	SHEET 3 OF 3	SIZE	DRAWING NUMBER	REV

WW3

WANG

LABORATORIES, INC

ONE INDUSTRIAL AVENUE, LOWELL, MASSACHUSETTS 01851. TEL (617) 459-5000. TWX 710 343-6769. TELEX 94-7421

PRINTED IN U.S.A.

END