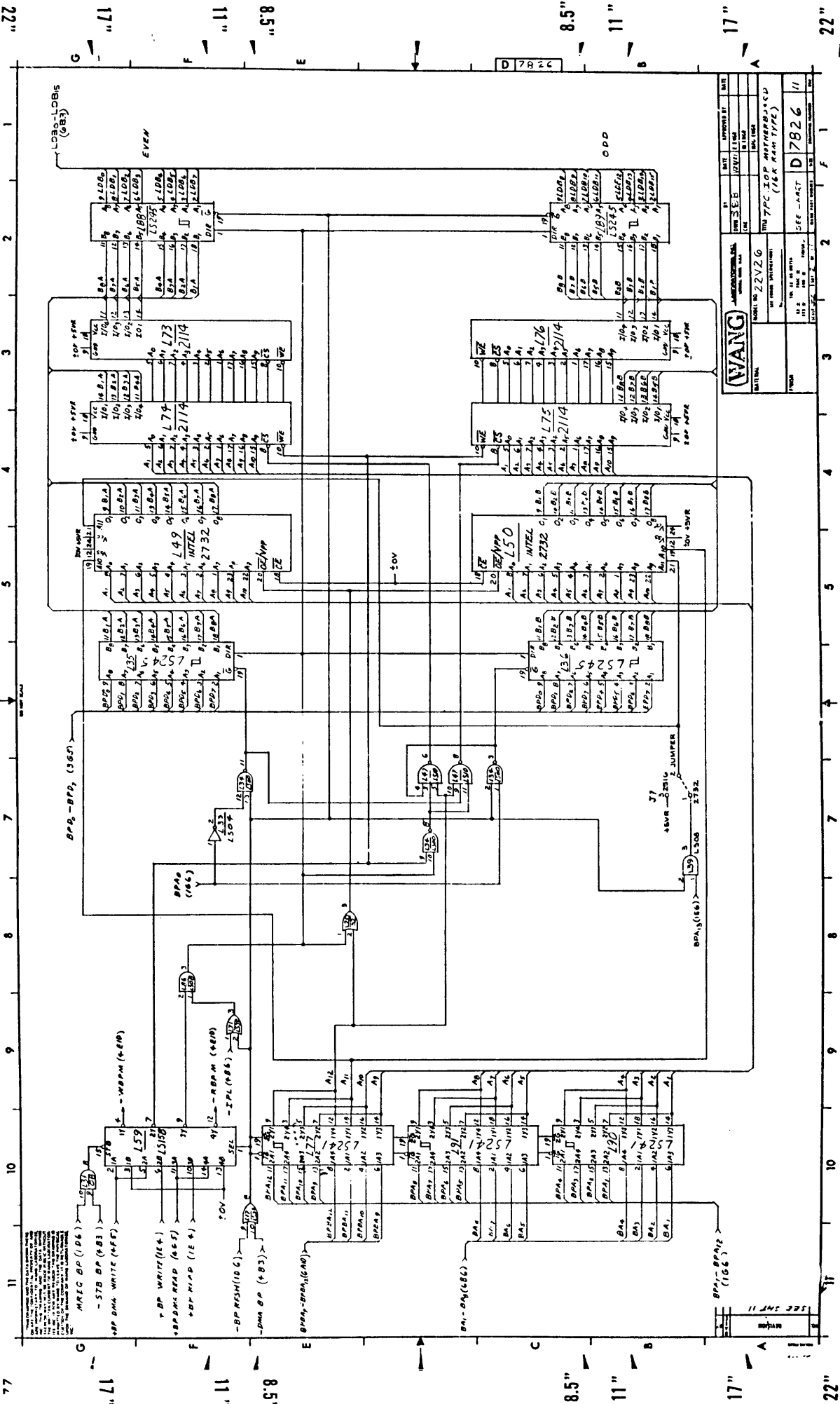


WIANG		DATE	APPROVED BY	DATE
DRAWN BY: [Signature]		DATE: 3.25.76	DATE: 3.25.76	DATE: 3.25.76
TITLE: TPC-100 MOTORHOUND (16K RAM TYPE)		DATE: 3.25.76	DATE: 3.25.76	DATE: 3.25.76
REVISED: [Signature]		DATE: 3.25.76	DATE: 3.25.76	DATE: 3.25.76
DRAWING NUMBER: D 7826		DATE: 3.25.76	DATE: 3.25.76	DATE: 3.25.76

22V06?
22U26

22" 17" 11" 8.5" 11" 8.5" 11" 17" 22"

17" 11" 8.5" 11" 17" 22"



MREC BP (DB)
 +STB BP (DB)
 +BP DMG WRITE (4FF)
 +BP WRITE (1E4)
 +BP DMG READ (4E5)
 +BP READ (1E4)
 -BP RESH (10C)
 -DMA BP (4B3)
 BPA1-BPA12 (GAD)
 BPA1-BPA12 (166)

(WANG)

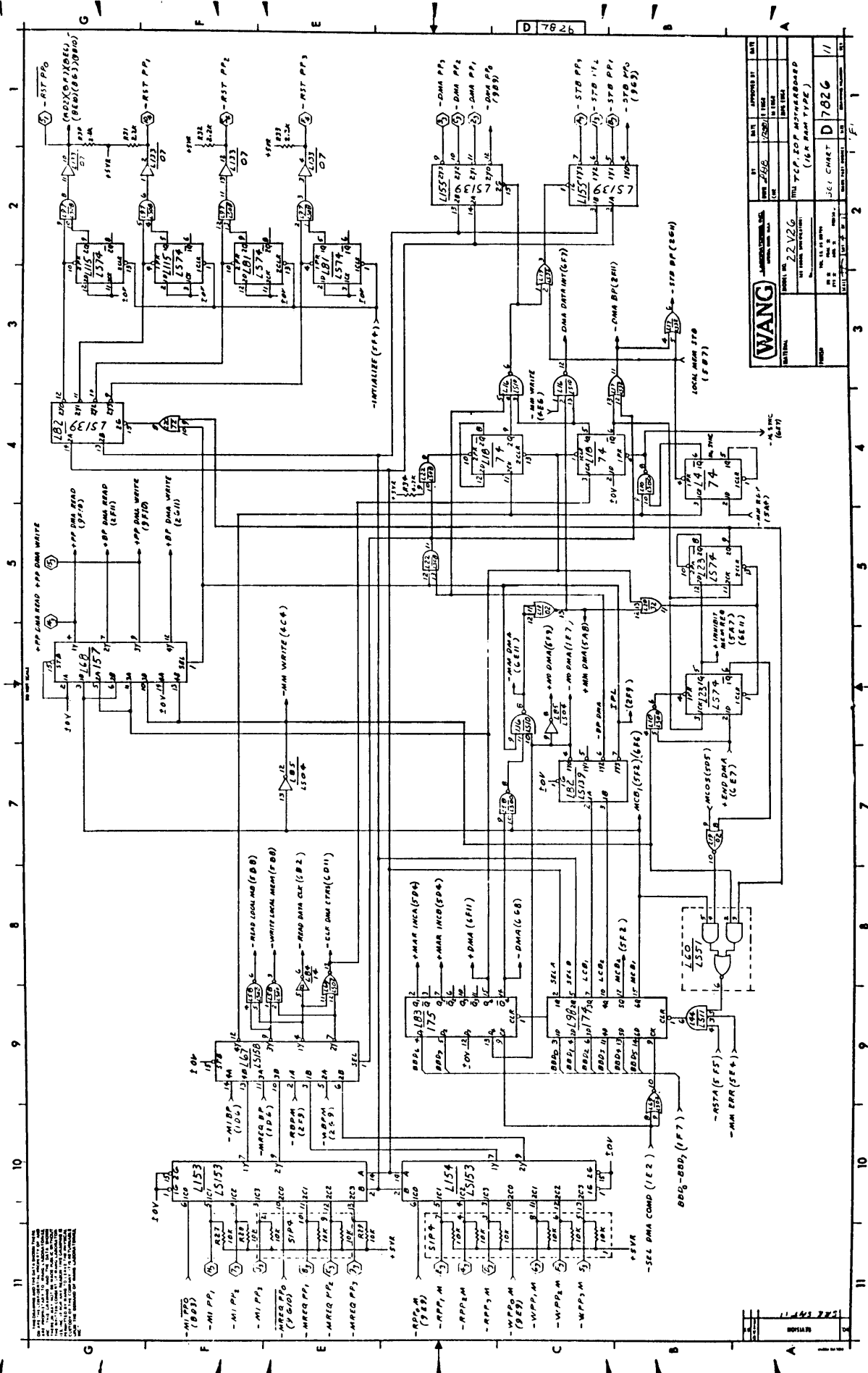
MODEL NO 22V26
 SERIAL NO 10000000000000000000
 DATE 11/15/77
 TIME 11:15 AM
 OPERATOR NAME
 PROJECT
 SHEET NO D 7826
 OF 11 SHEETS
 DRAWING NUMBER
 DATE

22" 17" 8.5" 11" 17" 22"

22" 17" 8.5" 11" 17" 22"

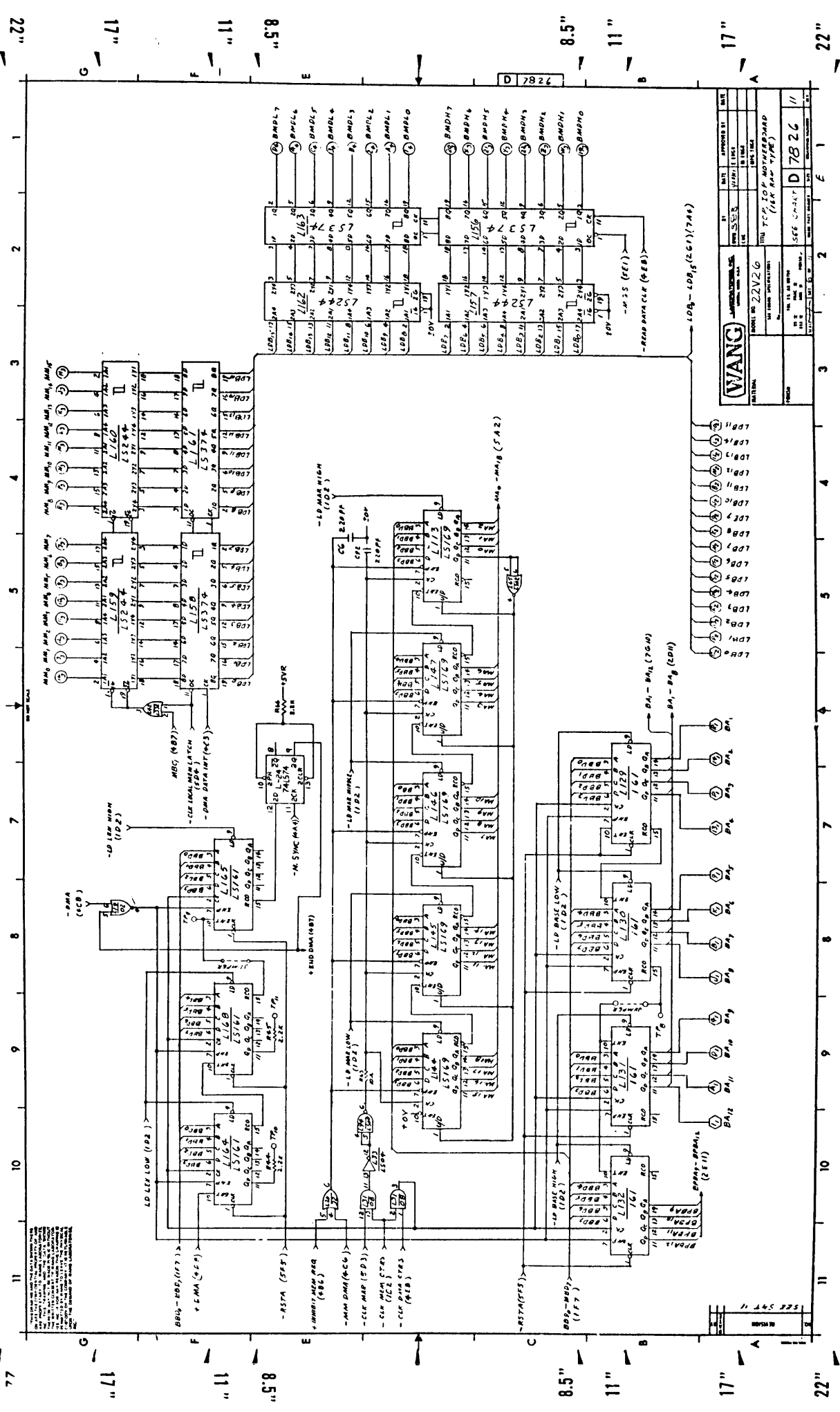
22" 17" 11" 8.5" 5.8" 11" 17" 22"

22" 17" 11" 8.5" 5.8" 11" 17" 22"



WANG		MODEL NO. 22 V2G	DATE 1/1964
SERIAL NO. 10000000000000000000		REV. 2/66	DATE 1/1964
TITLE T.C.P. I/O P. MATH BOARD		DESIGNER J.C.I. CHART	DATE 1/1964
(16K RAM TYPE)		WORKING DRAWING NO. D 7826	DATE 1/1964
DRAWN BY J.C.I.		CHECKED BY J.C.I.	DATE 1/1964
APPROVED BY J.C.I.		DATE 1/1964	DATE 1/1964

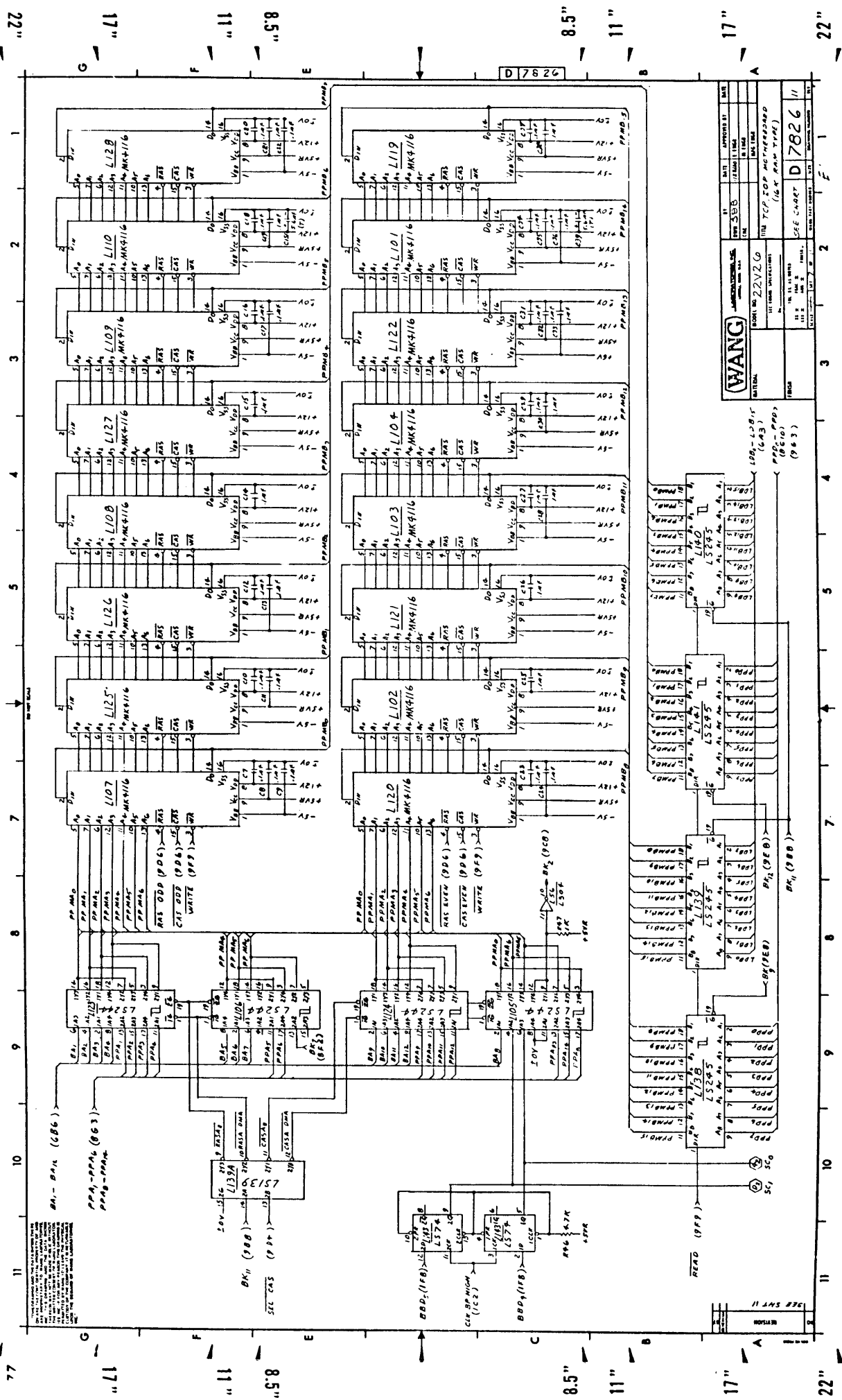
THIS DRAWING IS THE PROPERTY OF WANG LABORATORIES, INC. IT IS TO BE USED ONLY FOR THE PROJECT AND FOR WHICH IT WAS PREPARED. IT IS NOT TO BE REPRODUCED OR TRANSMITTED IN ANY FORM OR BY ANY MEANS, ELECTRONIC OR MECHANICAL, INCLUDING PHOTOCOPYING, RECORDING, OR BY ANY INFORMATION STORAGE AND RETRIEVAL SYSTEM, WITHOUT THE WRITTEN PERMISSION OF WANG LABORATORIES, INC.



WANG		DATE: _____	
MODEL NO. 22V2G		APPROVED BY: _____	
SERIAL NO. _____		DATE: _____	
MATERIAL		PARTS LIST	
TITLE: 22V2G CONTROL PANEL		DRAWN BY: _____	
CHECKED BY: _____		DATE: _____	
REVISIONS		SEE: 5-2-17	
PARTS LIST		D 7826	
REV. NO. _____		PAGE _____	
REV. DATE _____		PAGE _____	
REV. BY _____		PAGE _____	
REV. DESCRIPTION _____		PAGE _____	

THIS SCHEMATIC IS THE PROPERTY OF WANG ELECTRONIC CORPORATION. IT IS TO BE USED FOR WANG LABORATORIES ONLY. IT IS NOT TO BE REPRODUCED, COPIED, OR TRANSMITTED IN ANY FORM OR BY ANY MEANS, ELECTRONIC OR MECHANICAL, INCLUDING PHOTOCOPYING, RECORDING, OR BY ANY INFORMATION STORAGE AND RETRIEVAL SYSTEM, WITHOUT THE WRITTEN PERMISSION OF WANG ELECTRONIC CORPORATION.

SEE 5-2-17



(WANG)		DATE	APPROVED BY
		DESIGNED BY	DATE
PPM 350	PPM 350	DATE	DATE
FORM NO. 22-VZ-0		SEE PART D 7826 11	
SEE PART D 7826 11		SEE PART D 7826 11	

SEE SMT 11

READ (PP9)

WRITE (PP5)

CAS (PP6)

RAS (PP6)

WRITE (PP5)

CAS (PP6)

RAS (PP6)

WRITE (PP5)

CAS (PP6)

RAS (PP6)

WRITE (PP5)

CAS (PP6)

RAS (PP6)

WRITE (PP5)

CAS (PP6)

RAS (PP6)

WRITE (PP5)

CAS (PP6)

RAS (PP6)

WRITE (PP5)

CAS (PP6)

RAS (PP6)

WRITE (PP5)

CAS (PP6)

RAS (PP6)

WRITE (PP5)

CAS (PP6)

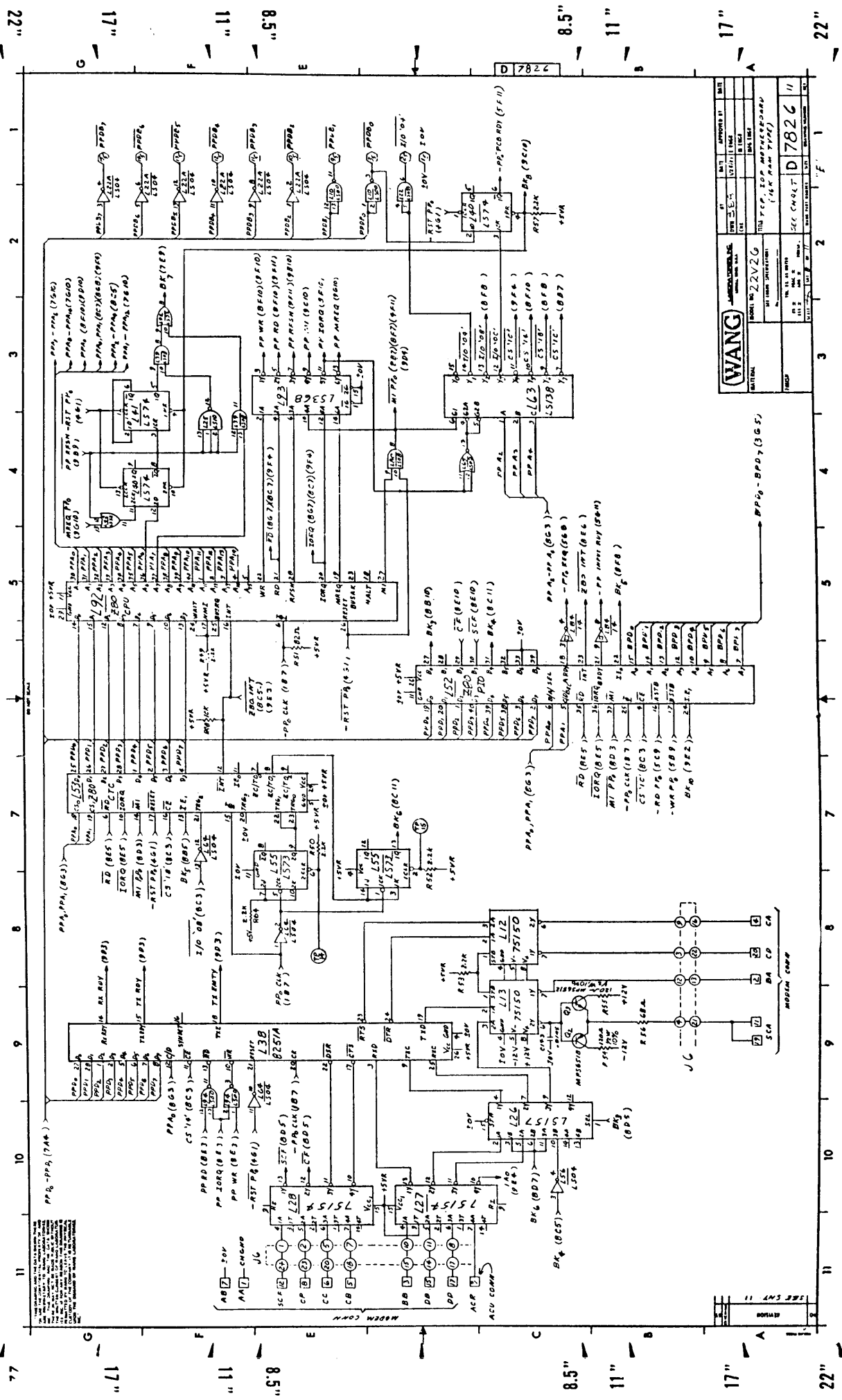
RAS (PP6)

WRITE (PP5)

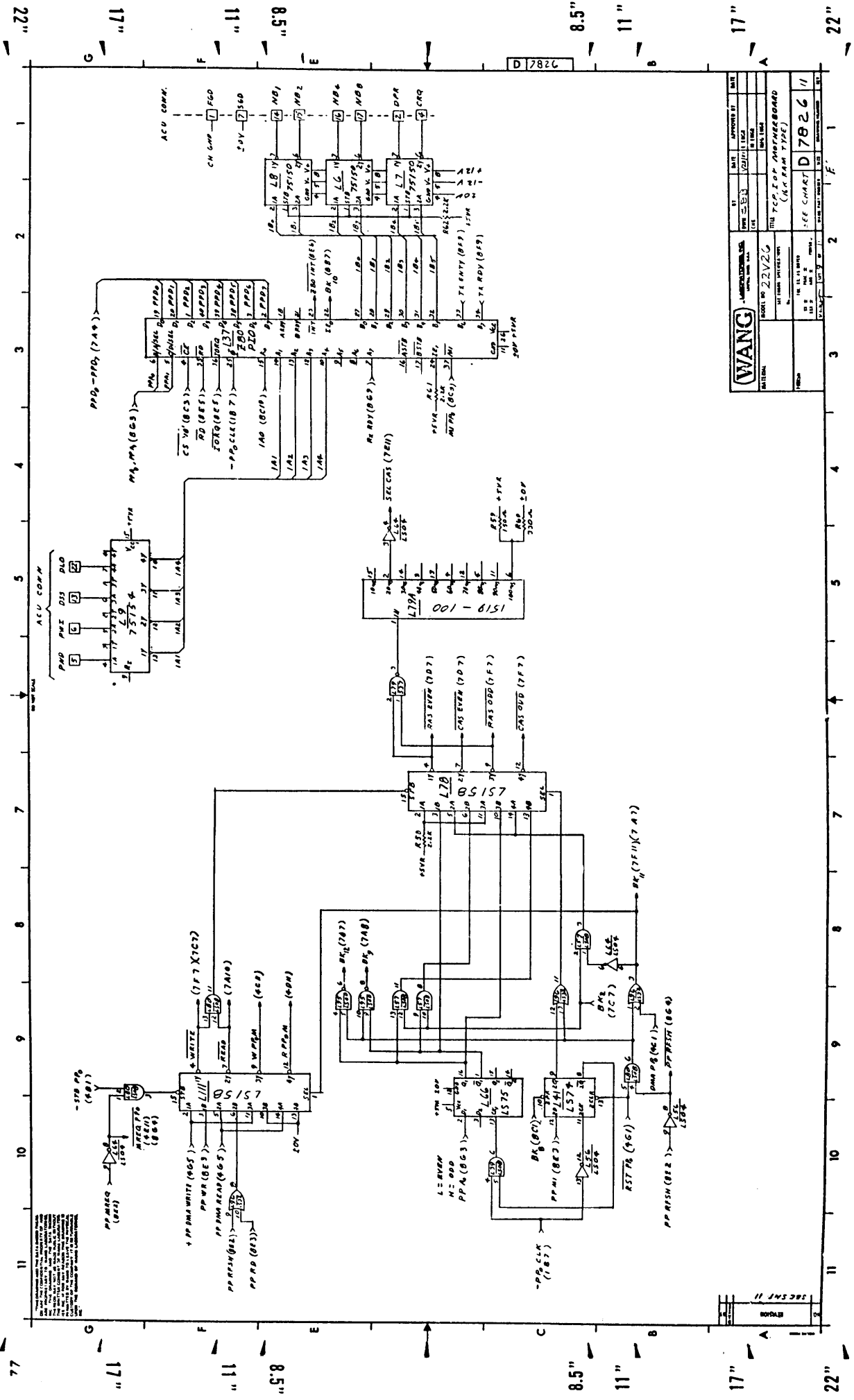
CAS (PP6)

RAS (PP6)

WRITE (PP5)



WANG		DATE	APPROVED BY
MODEL NO. 720	SERIAL NO. 22V20	DATE	DATE
TITLE: WANG 720 COMPUTER SYSTEM		DATE	DATE
DRAWN BY: [Name]		DATE	DATE
CHECKED BY: [Name]		DATE	DATE
SEC. CHECKED BY: [Name]		DATE	DATE
DATE: 11/11/60		DATE	DATE
DRAWING NO. 720-1111		DATE	DATE
SCALE: 1" = 1"		DATE	DATE
SHEET NO. 11		DATE	DATE
TOTAL SHEETS: 11		DATE	DATE



(WANG)		DATE	APPROVED BY	DATE
		REV	BY	DATE
DRAWING NO. 22222		TITLE P.C.P. FOR AMPLIFIER BOARD (H.K. RAM TYPE)		
SCALE 1:1		SEE CHART D 7826 11		

SECTION 11		REVISED	
DATE		BY	
REV		DATE	
DRAWING NO. 22222		TITLE P.C.P. FOR AMPLIFIER BOARD (H.K. RAM TYPE)	
SCALE 1:1		SEE CHART D 7826 11	

