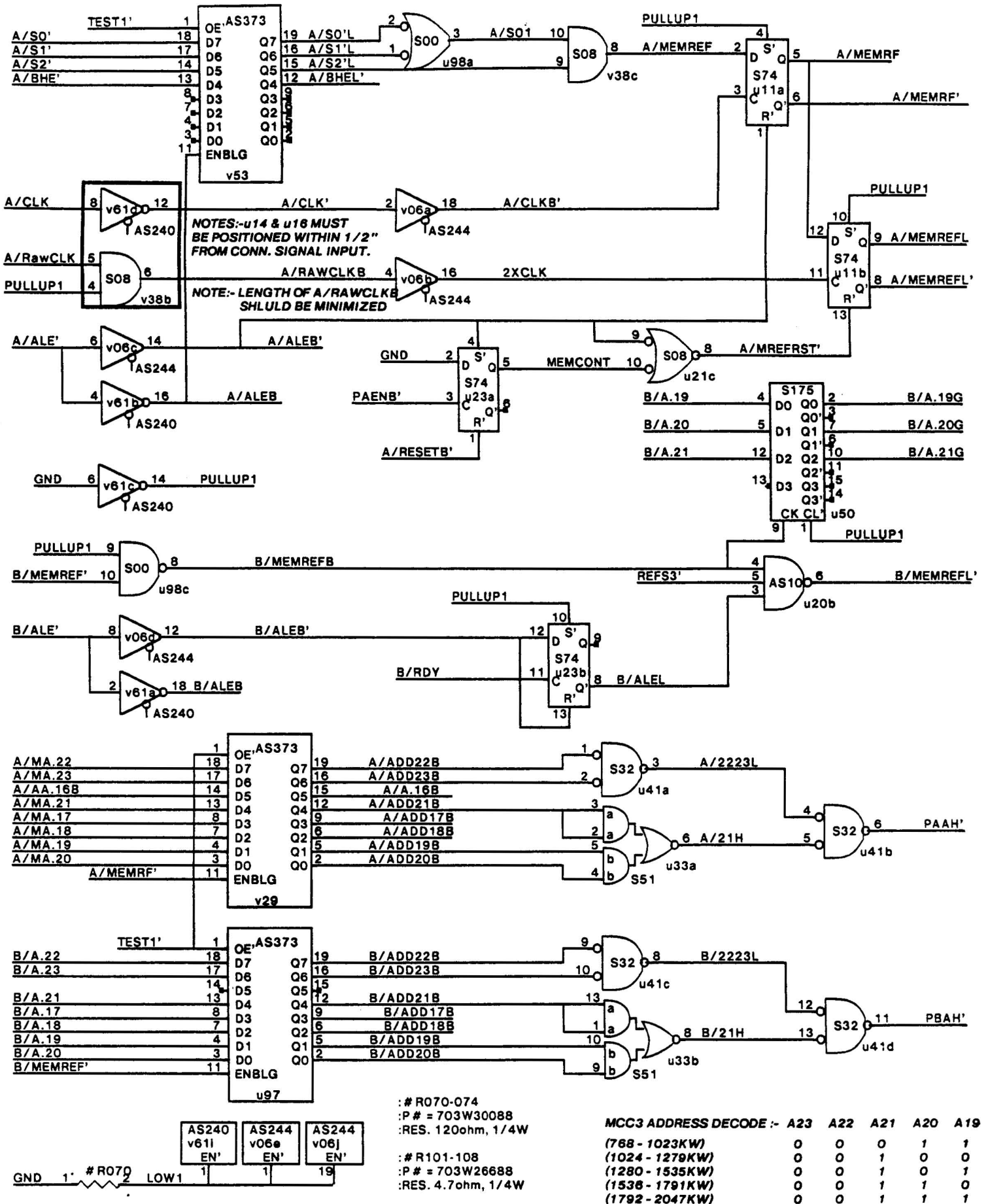
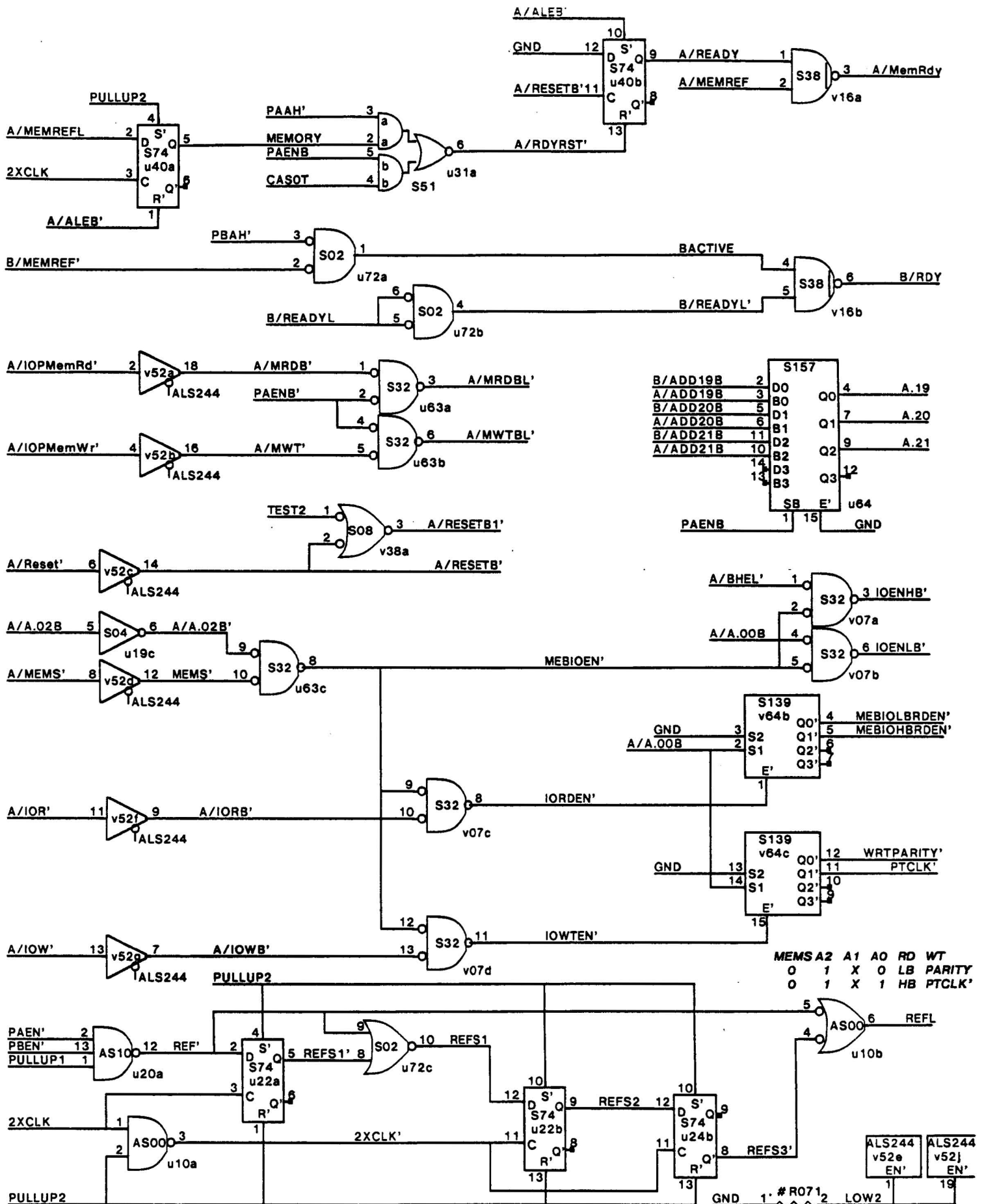


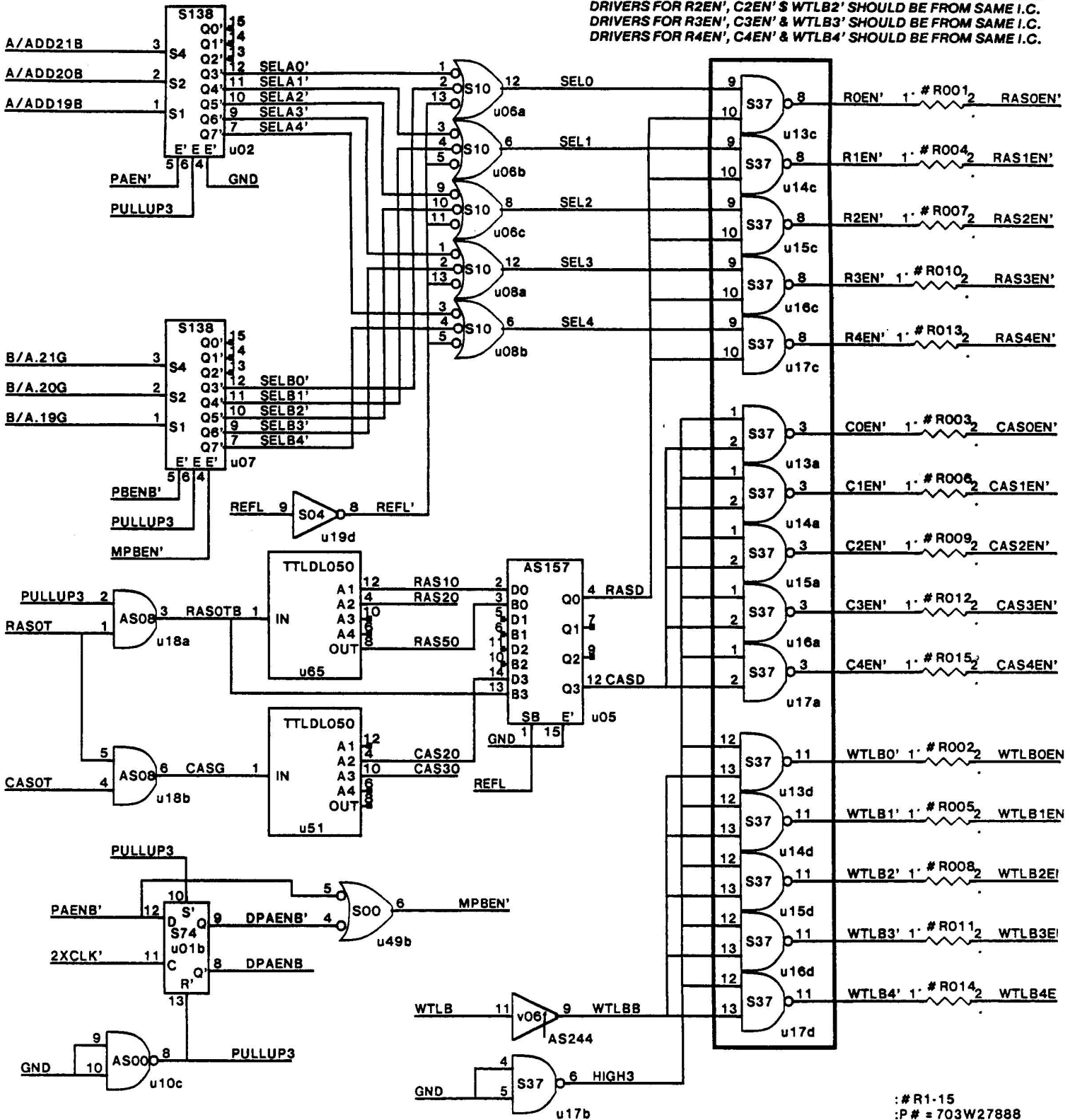
Memory Expansion PWBA





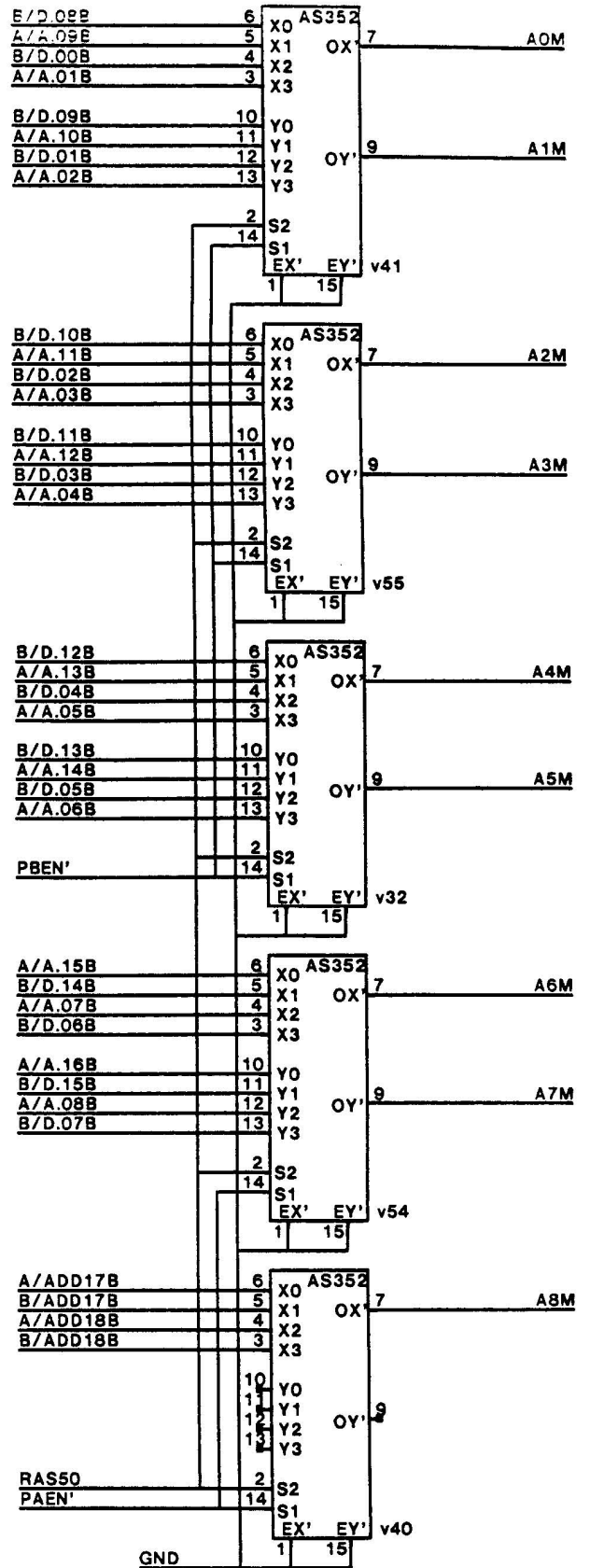
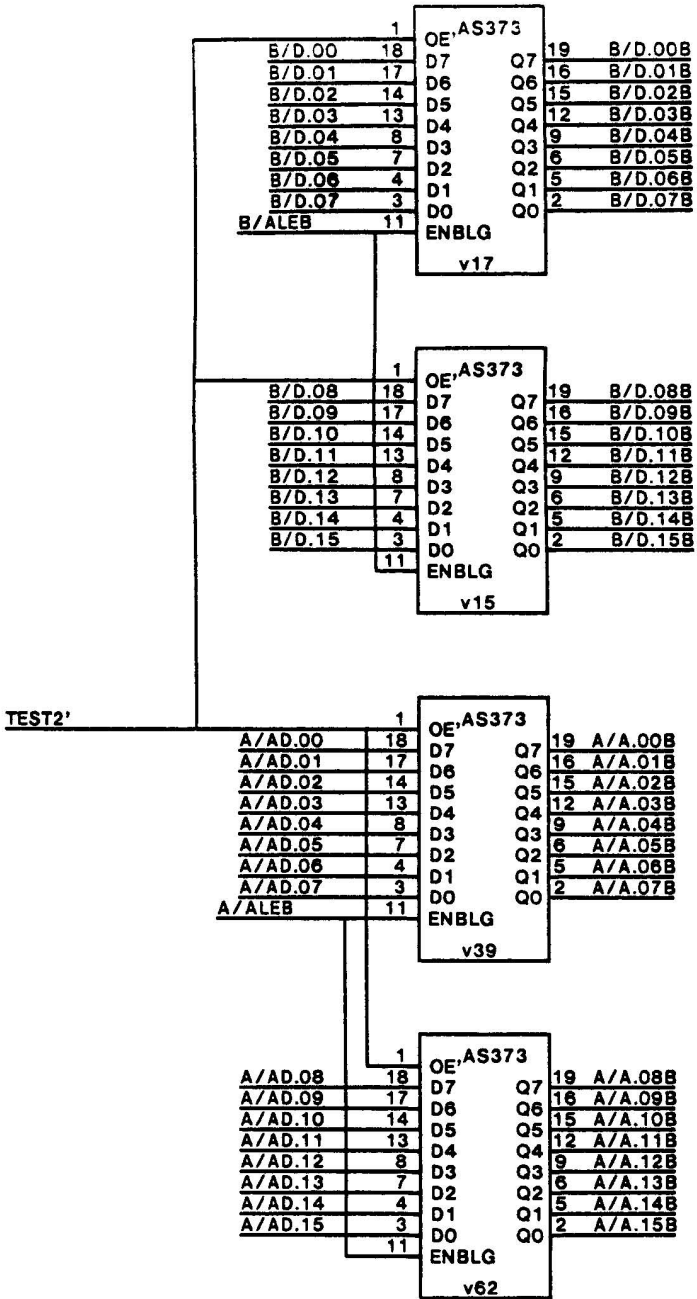
NOTES:-

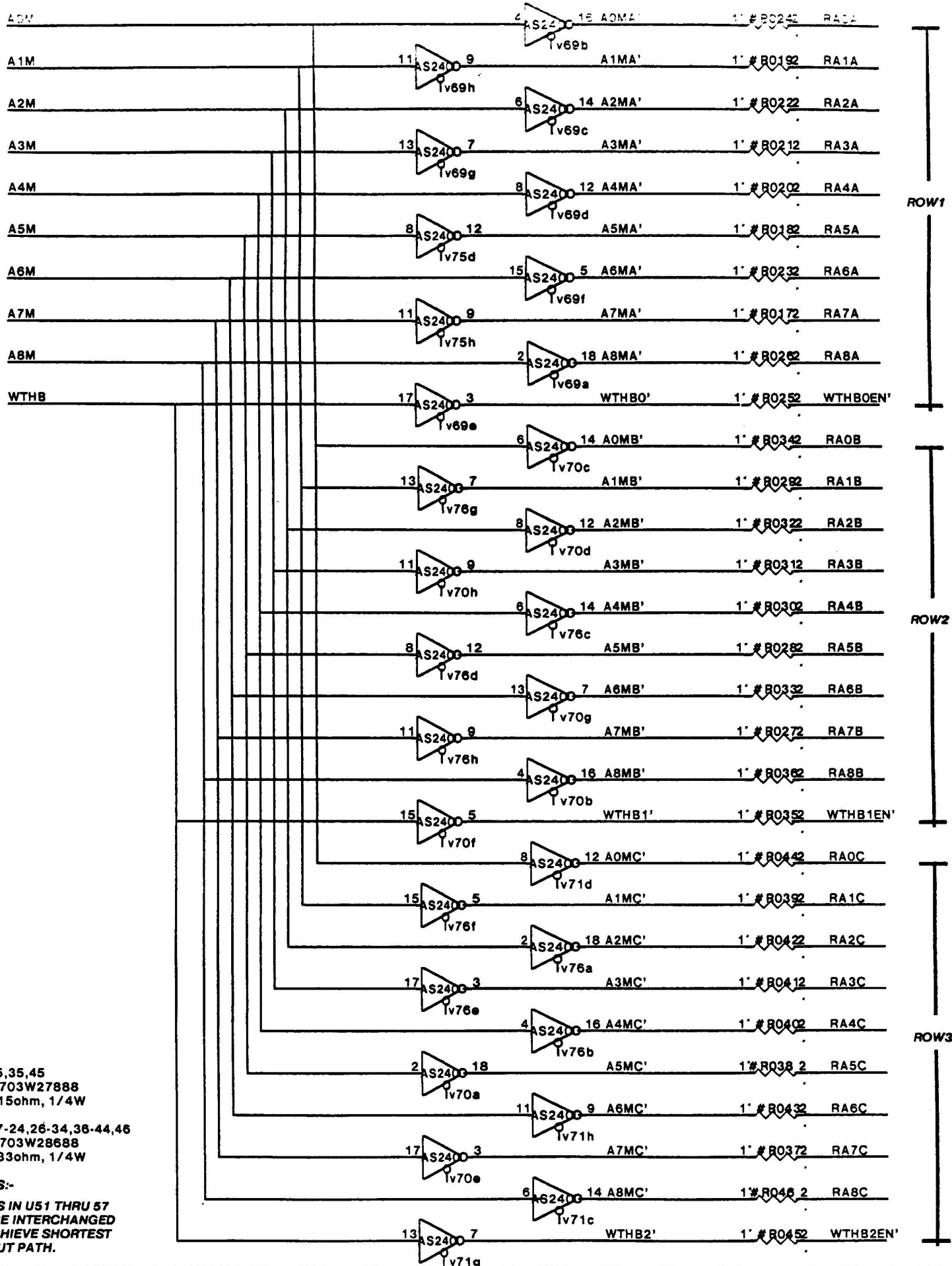
DRIVERS FOR R0EN', COEN' & WTLB0' SHOULD BE FROM SAME I.C.
 DRIVERS FOR R1EN', C1EN' & WTLB1' SHOULD BE FROM SAME I.C.
 DRIVERS FOR R2EN', C2EN' & WTLB2' SHOULD BE FROM SAME I.C.
 DRIVERS FOR R3EN', C3EN' & WTLB3' SHOULD BE FROM SAME I.C.
 DRIVERS FOR R4EN', C4EN' & WTLB4' SHOULD BE FROM SAME I.C.



:# R1-15
 :P# = 703W27888
 :RES. 15ohm, 1/4W

XEROX	PROPRIETARY NOTE ON COVER SHEET APPLIES TO ALL SHEETS		DWG SIZE	DWG NO. 156E07060	SHEET REV.
	TITLE SCHEMATIC, MEB		A4	SHEET 03 OF	A





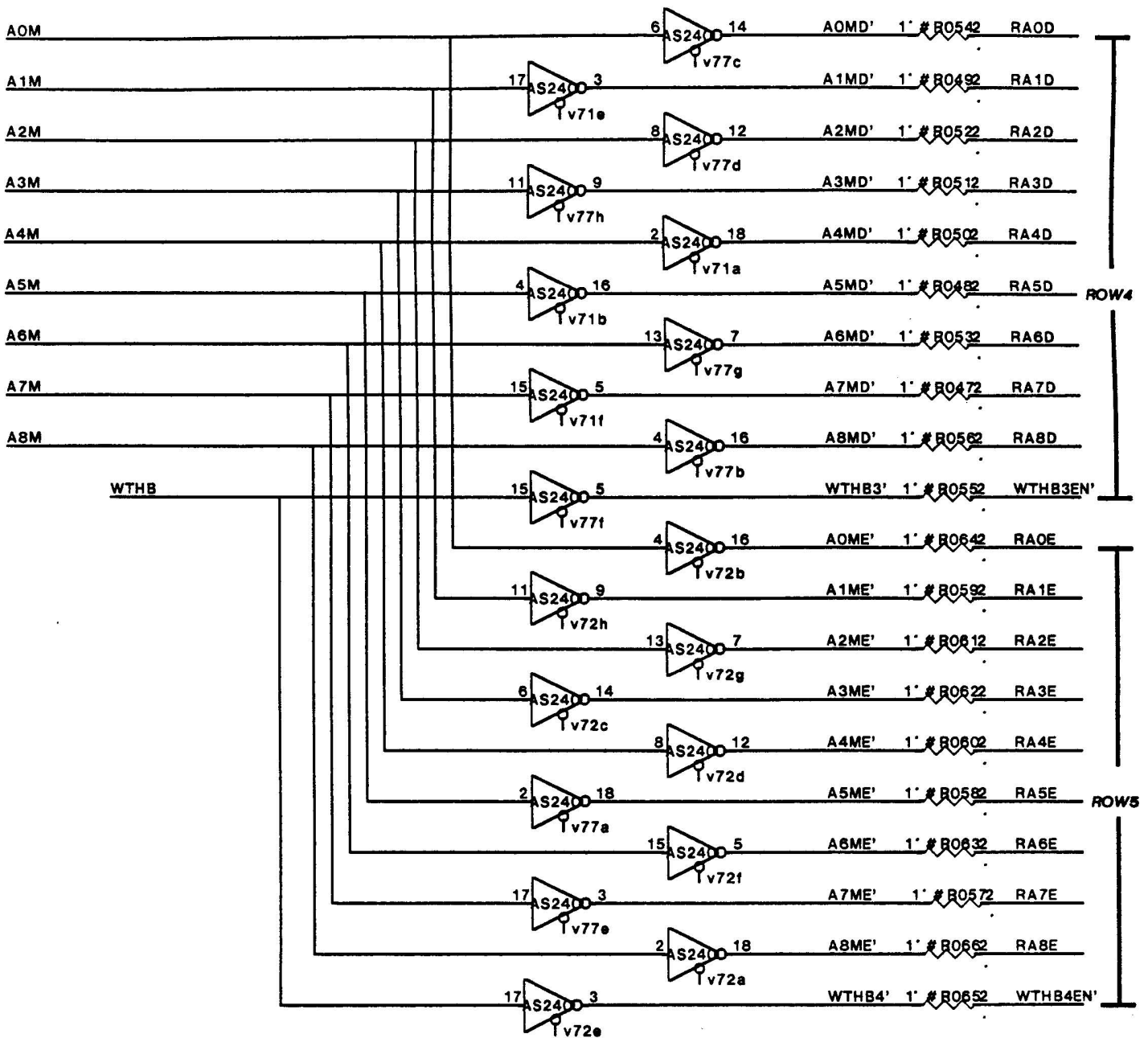
: # R25,35,45
 : P # = 703W27888
 : RES. 15ohm, 1/4W

: # R17-24,26-34,36-44,46
 : P # = 703W28688
 : RES. 33ohm, 1/4W

NOTES:-

GATES IN U51 THRU 57
 CAN BE INTERCHANGED
 TO ACHIEVE SHORTEST
 OUTPUT PATH.

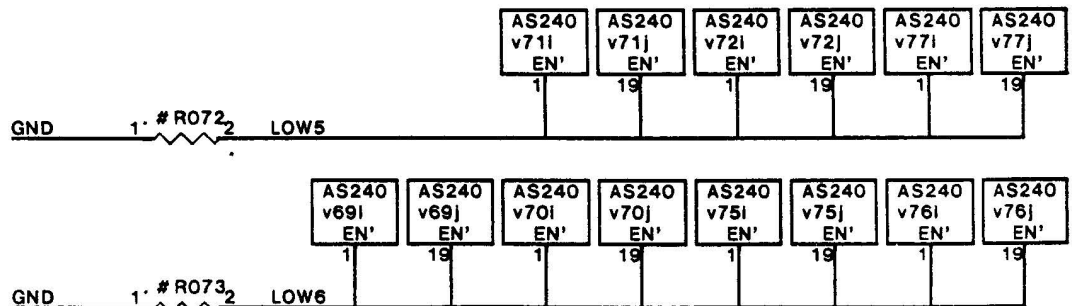
XEROX	PROPRIETARY NOTE ON COVER SHEET APPLIES TO ALL SHEETS		DWG SIZE	DWG NO. 156E07060	SHEET REV.
	TITLE SCHEMATIC, MEB		A4	SHEET 05 OF	A



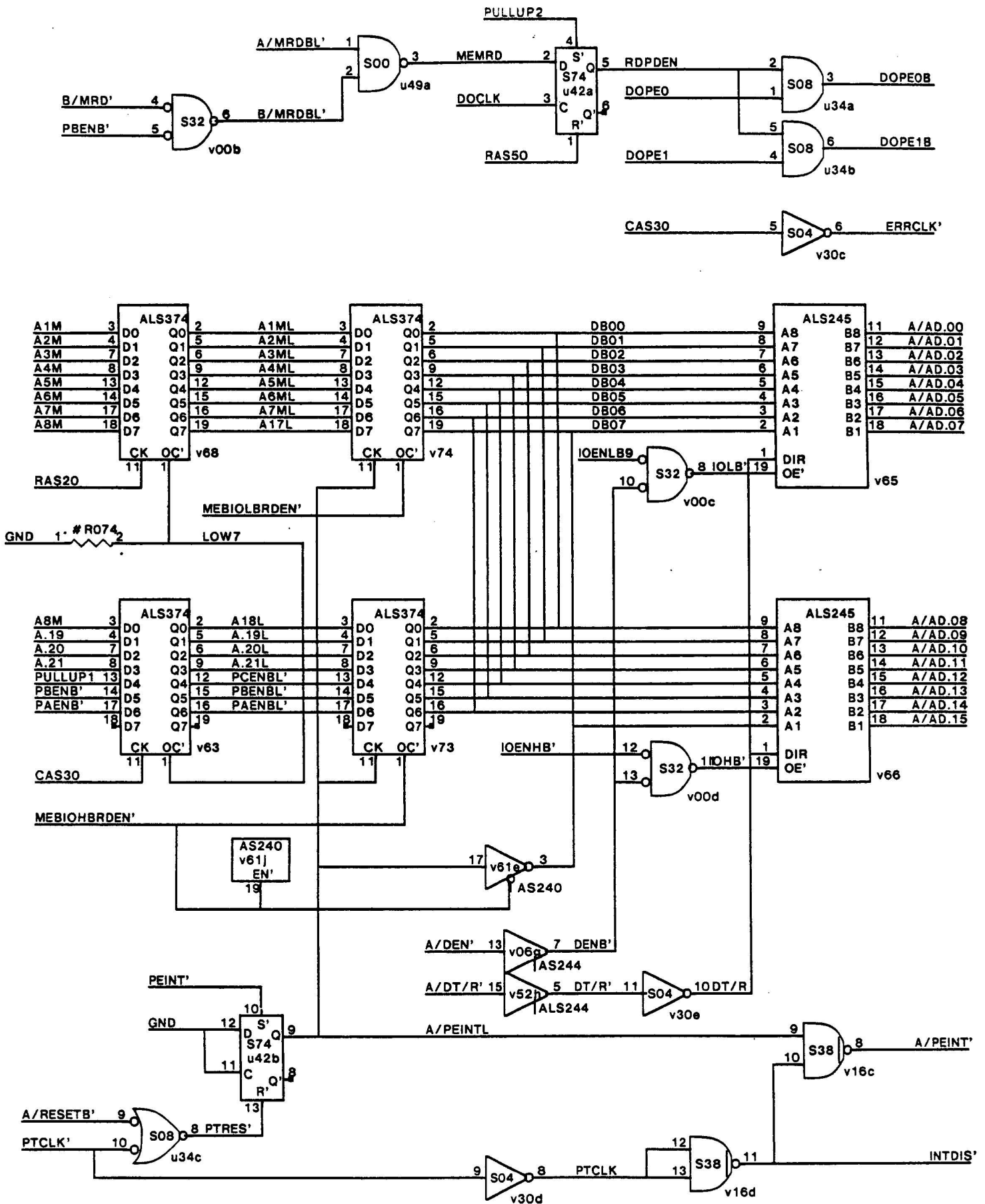
:# R55,65
:P # = 703W27888
:RES. 15ohm, 1/4W

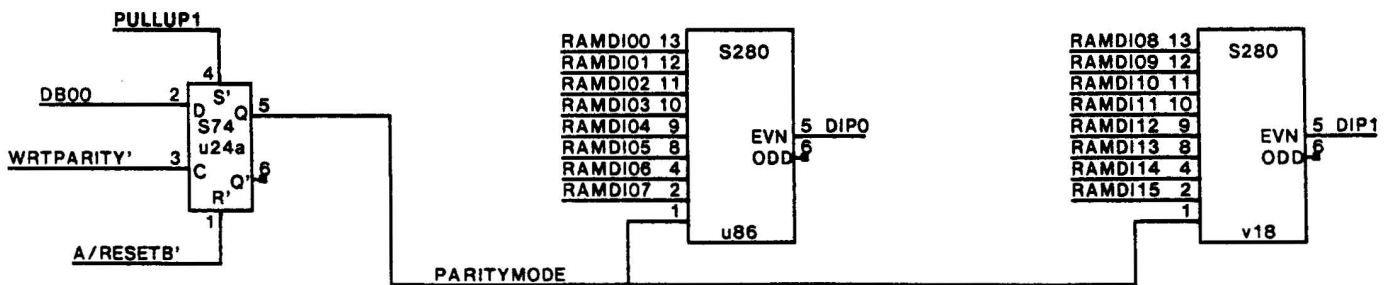
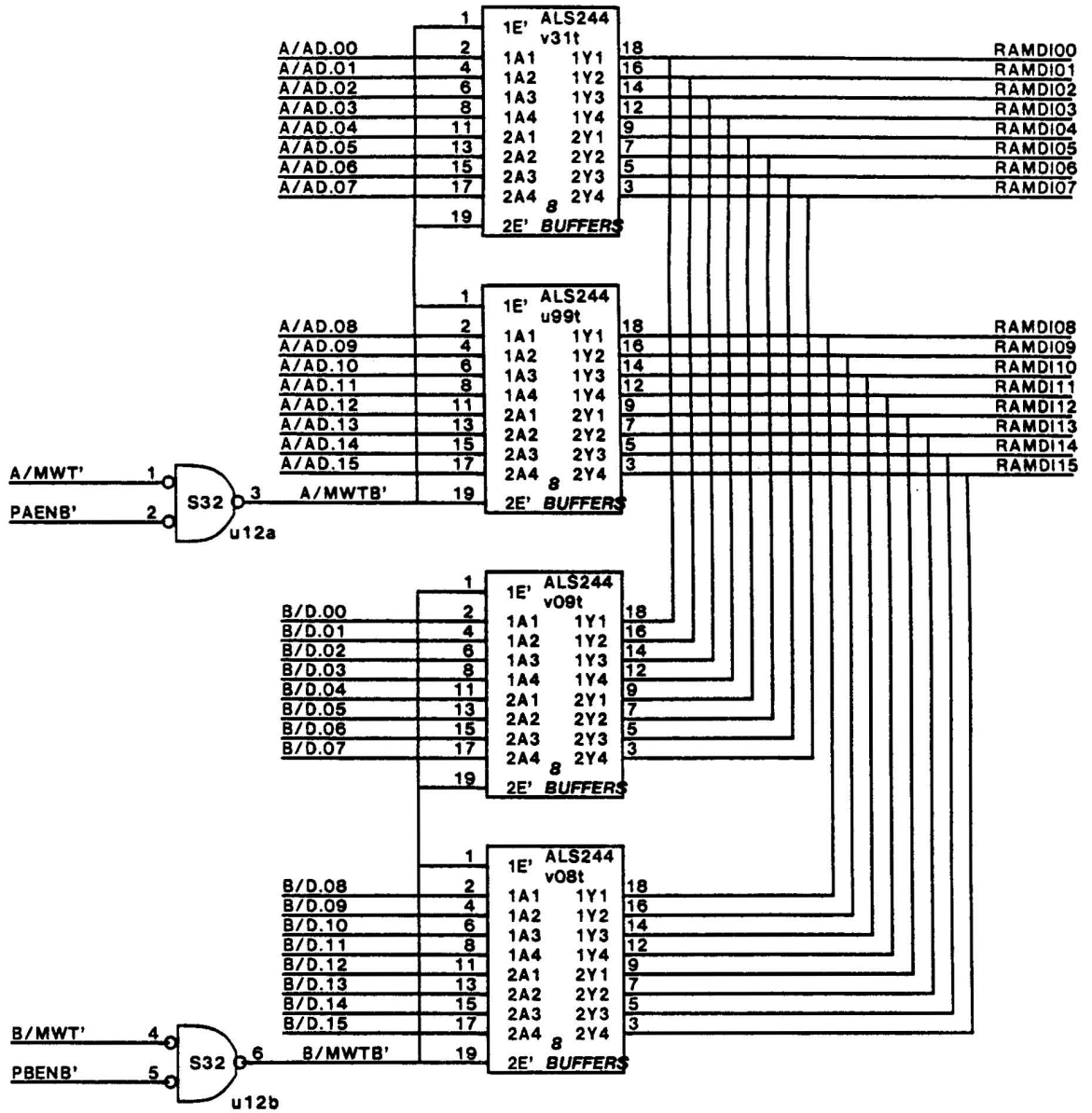
:# R47-54,56-64,66
:P # = 703W28688
:RES. 33ohm, 1/4W

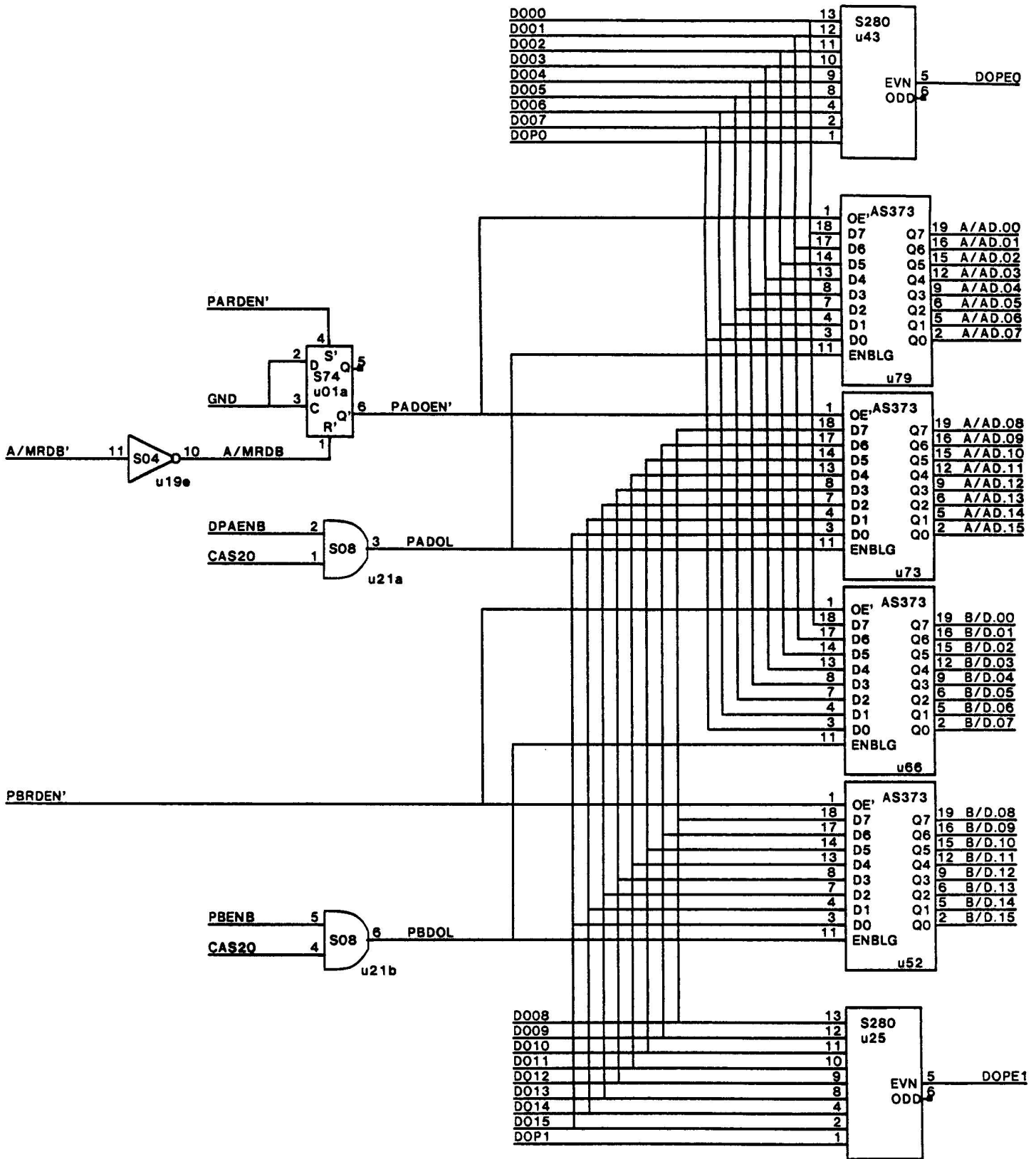
NOTES:-
GATES IN U51 THRU' 57
CAN BE INTERCHANGED
TO ACHIEVE SHORTEST
OUTPUT PATH.

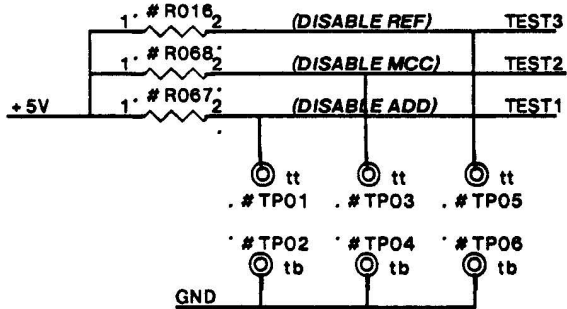
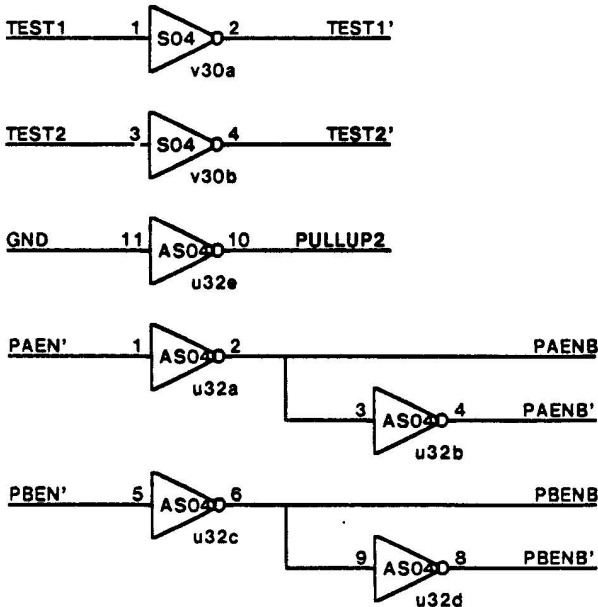
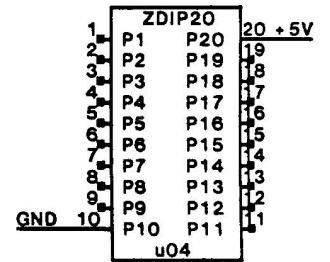
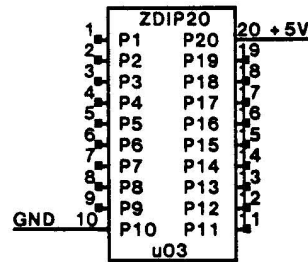
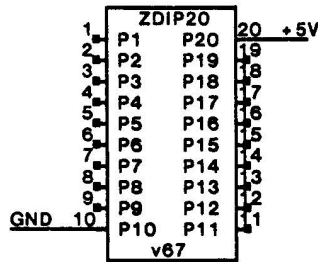
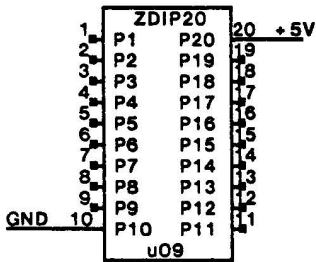
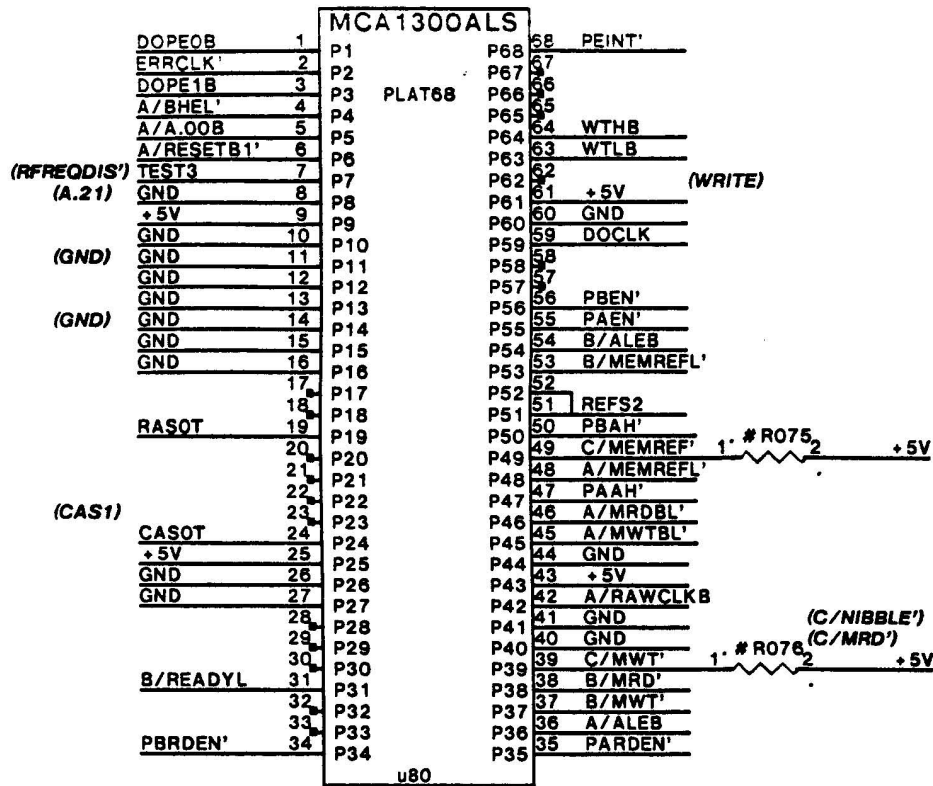


XEROX	PROPRIETARY NOTE ON COVER SHEET APPLIES TO ALL SHEETS		DWG SIZE	DWG NO. 156E07060		SHEET REV.	
	TITLE SCHEMATIC, MEB		A4	SHEET 06 OF		A	



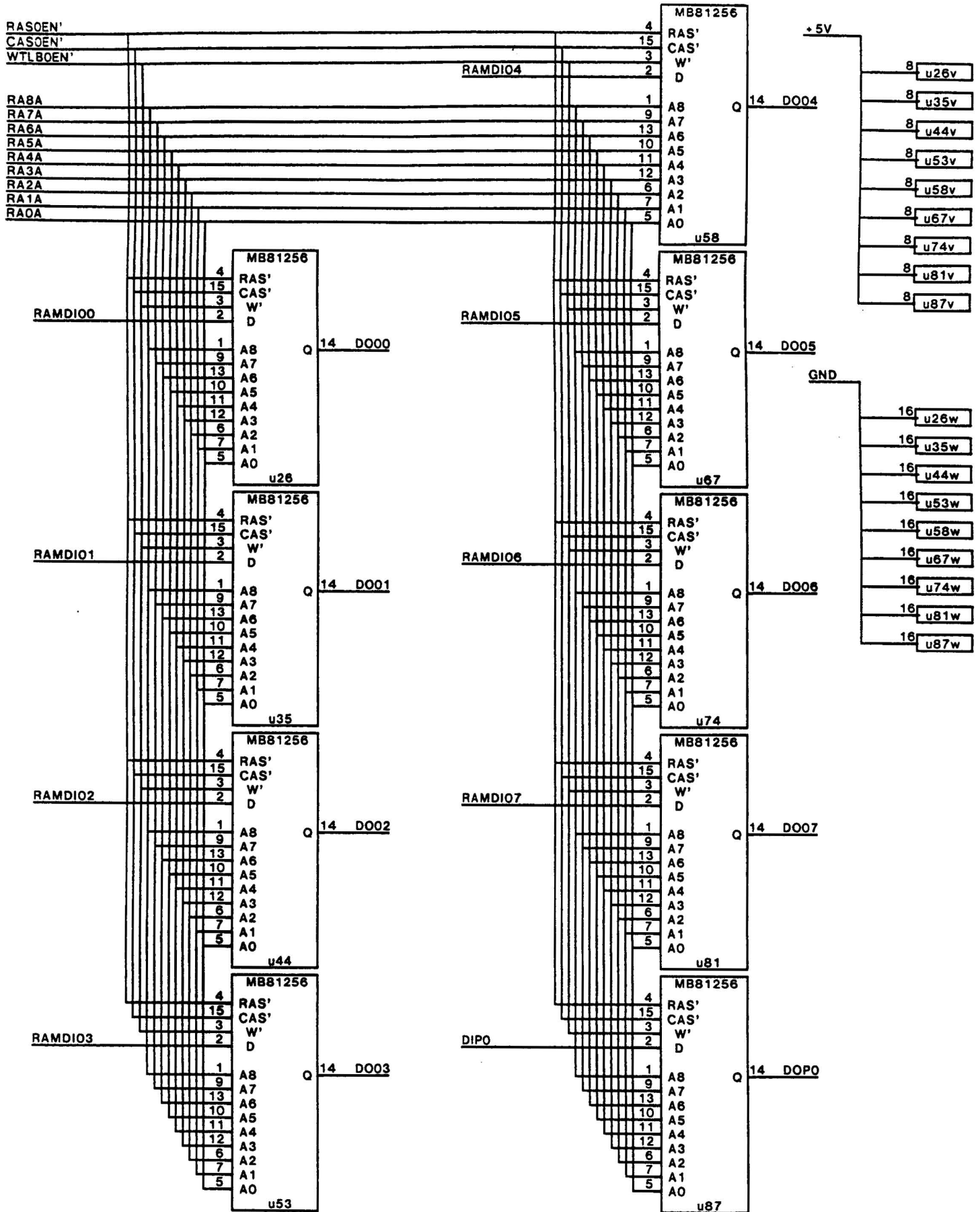




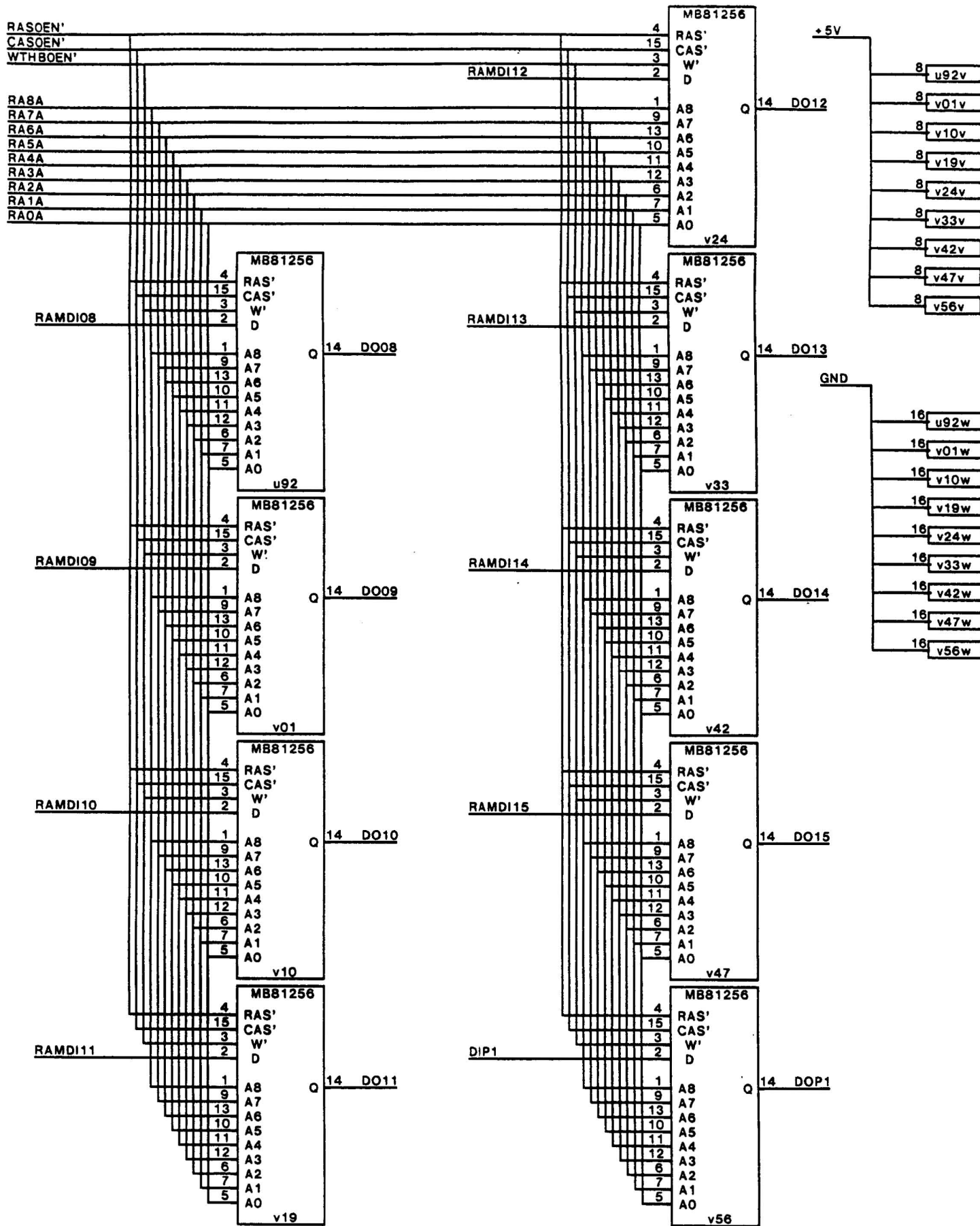


:# R901-910
 :P # = 703W27888
 :RES. 15 OHM 1/4W

 :# R16,67,68,075,076
 :P # = 703W32288
 :RES. 1K 1/4W

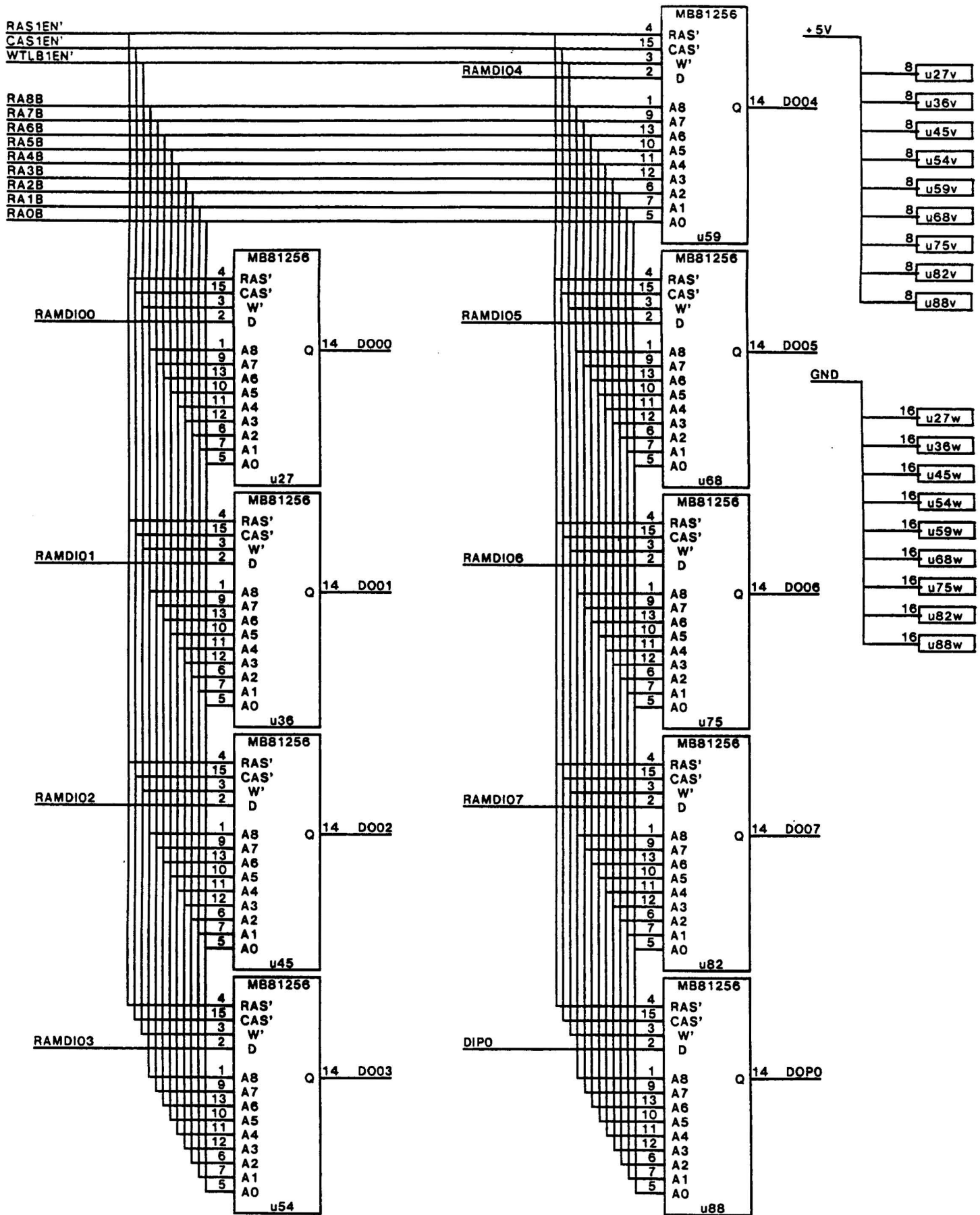


ROW 1 L-BYTE



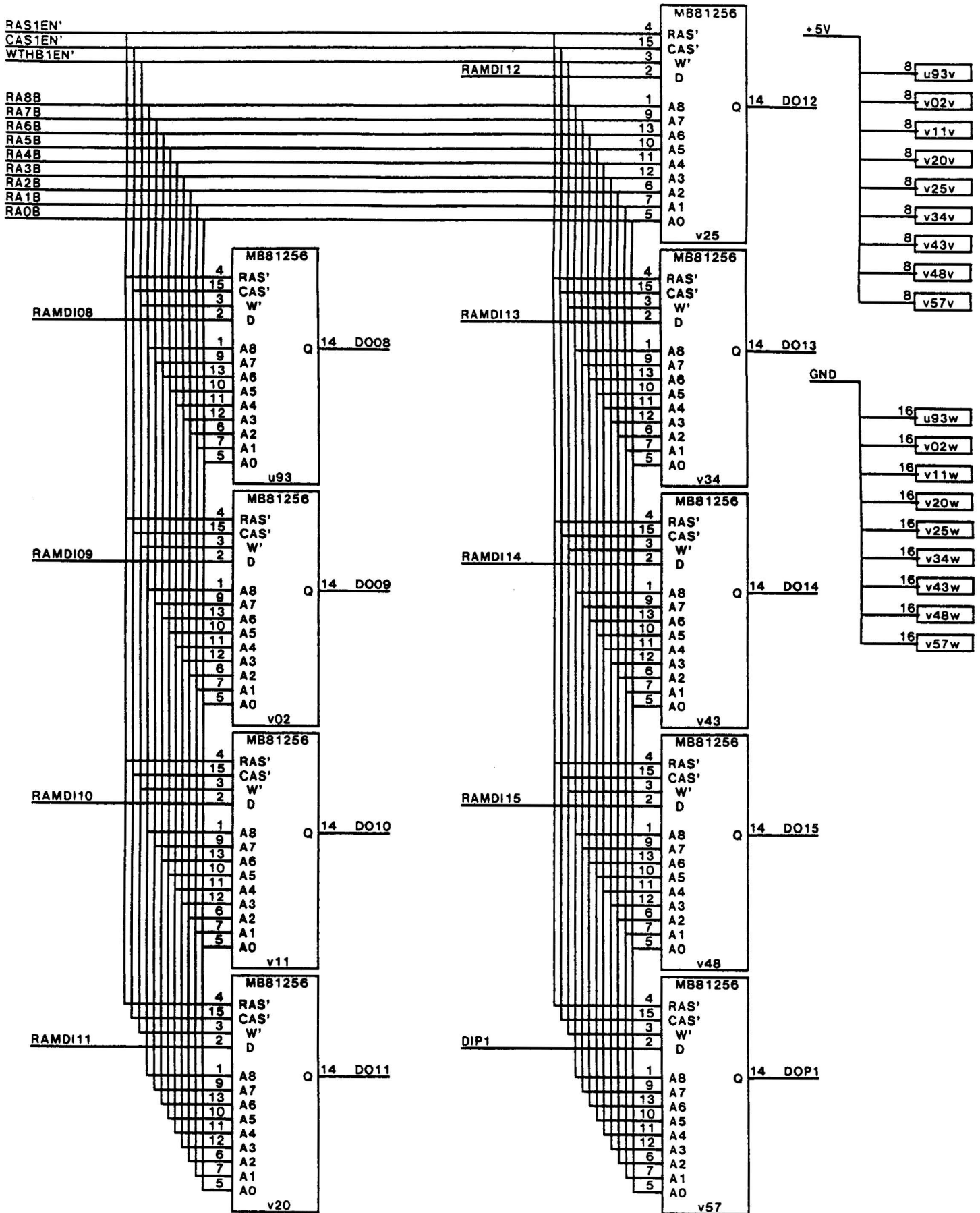
ROW 1 H - BYTE

XEROX	PROPRIETARY NOTE ON COVER SHEET APPLIES TO ALL SHEETS		DWG SIZE A4	DWG NO. 156E07060		SHEET REV. A
	TITLE SCHEMATIC, MEB			SHEET 12 OF		



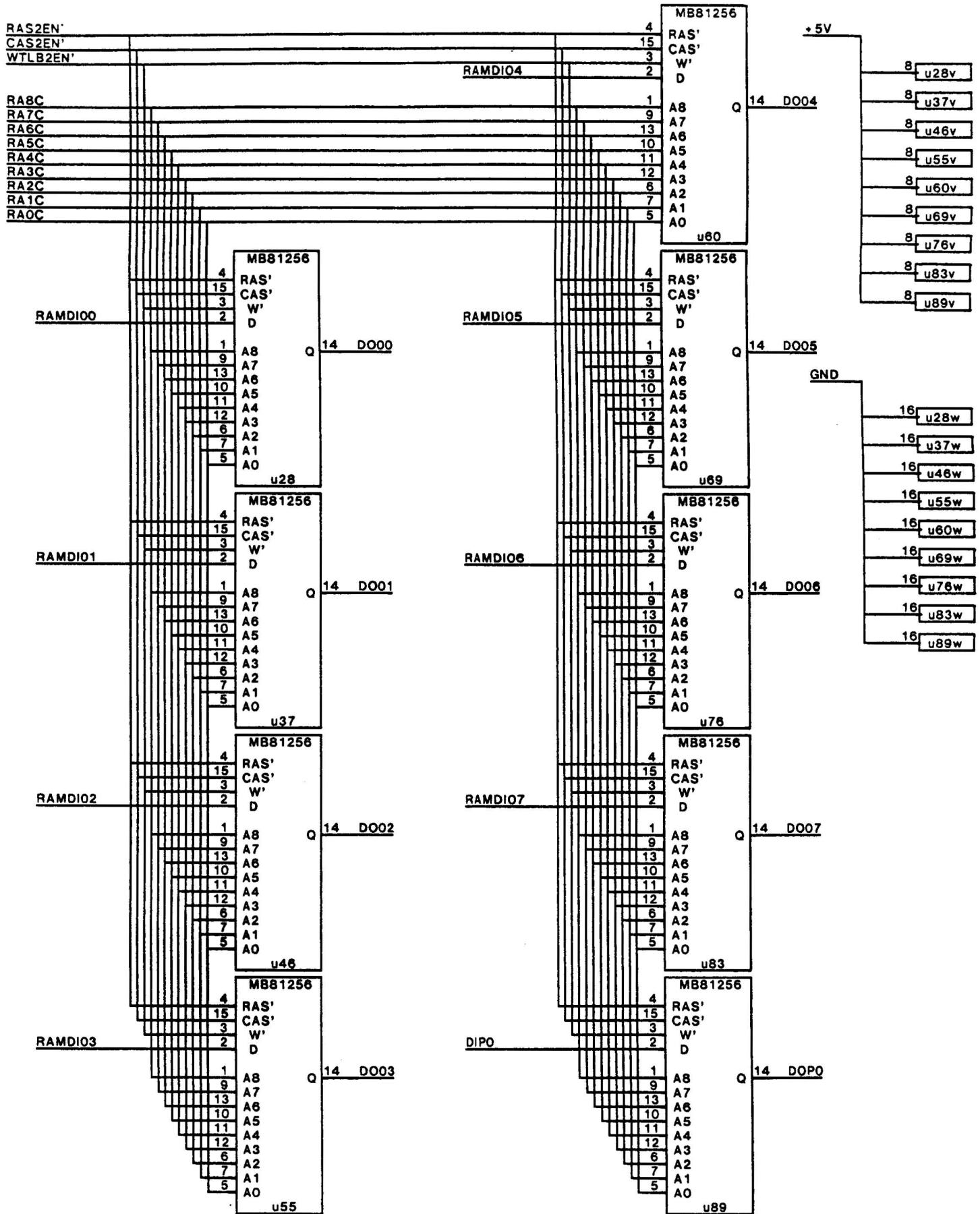
ROW 2 L-BYTE

XEROX	PROPRIETARY NOTE ON COVER SHEET APPLIES TO ALL SHEETS	DWG SIZE A4	DWG NO. 156E07060	SHEET REV. A
	TITLE SCHEMATIC, MEB		SHEET 13 OF	

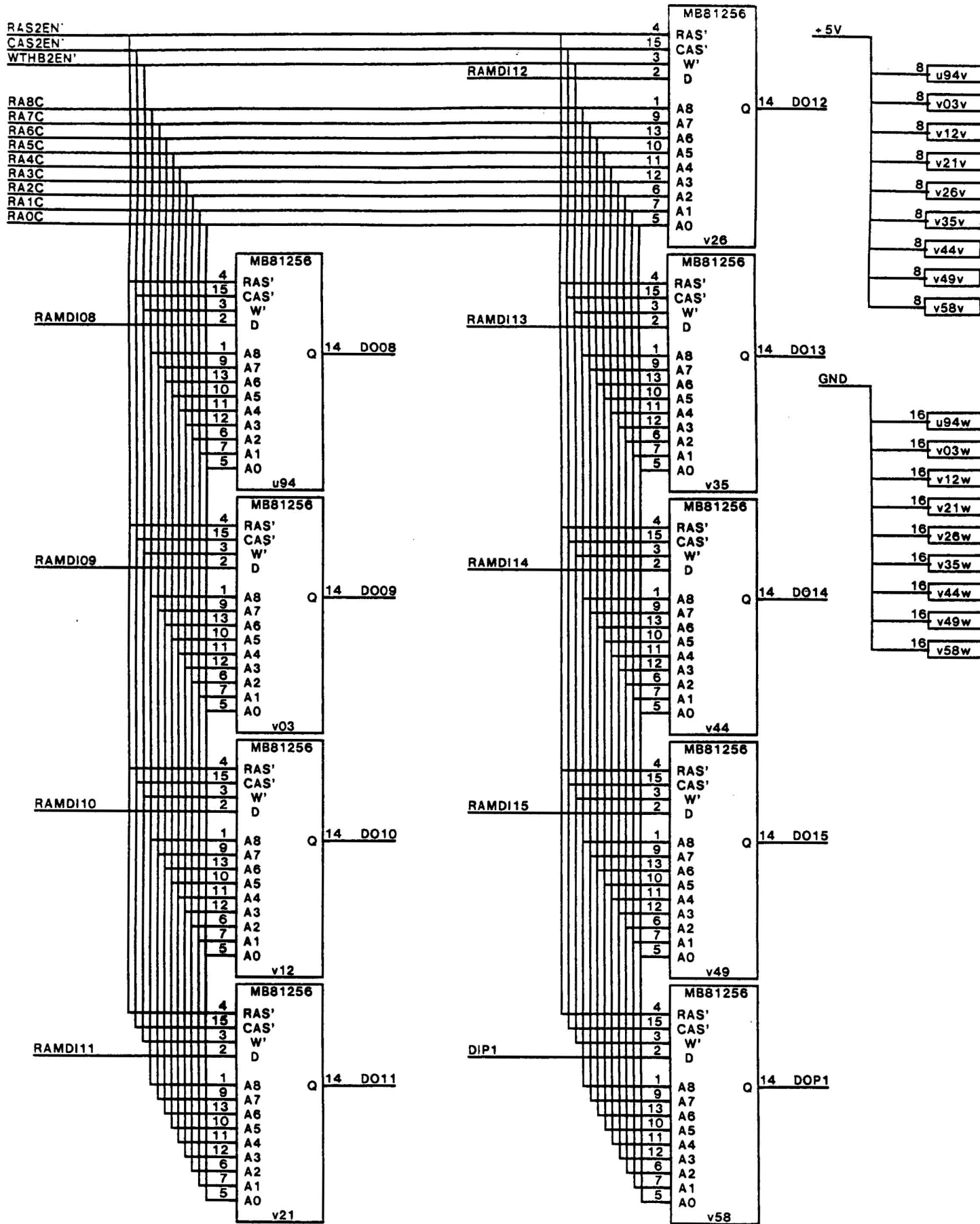


ROW 2 H-BYTE

XEROX	PROPRIETARY NOTE ON COVER SHEET APPLIES TO ALL SHEETS		DWG SIZE	DWG NO. 156E07060	SHEET REV. A
	TITLE SCHEMATIC, MEB		A4	SHEET 14 OF	

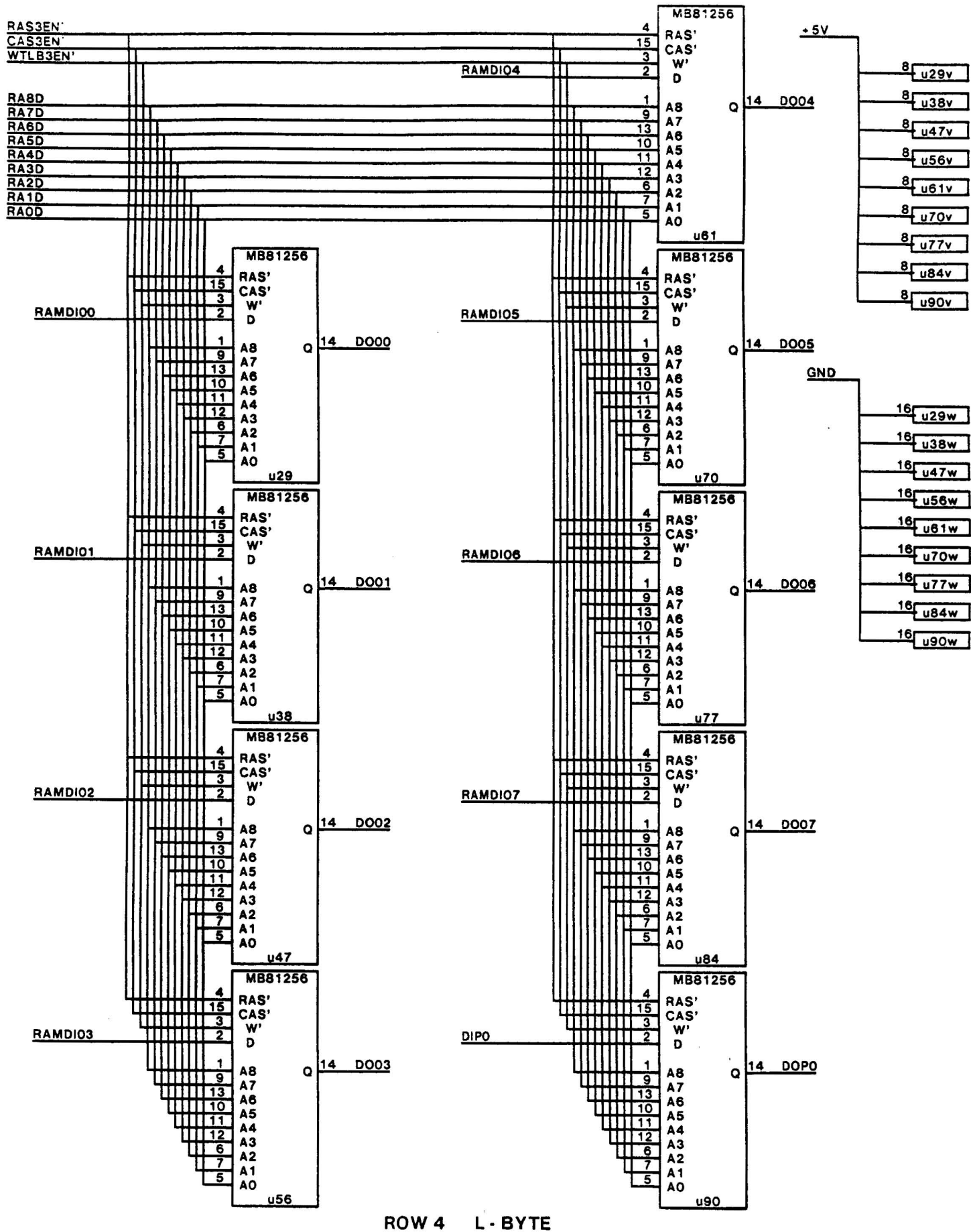


ROW 3 L - BYTE

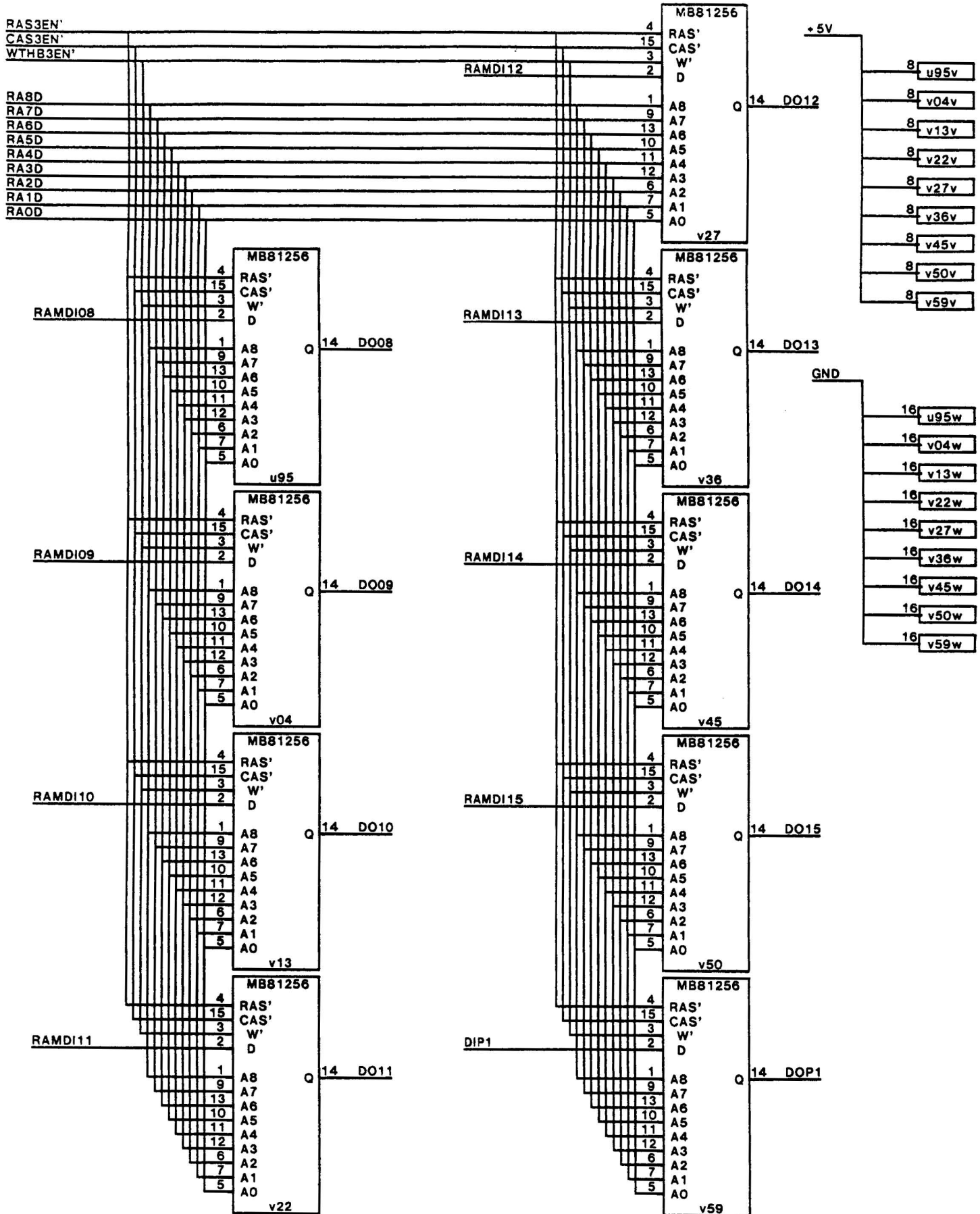


ROW 3 H - BYTE

XEROX	PROPRIETARY NOTE ON COVER SHEET APPLIES TO ALL SHEETS		DWG SIZE	DWG NO. 156E07060	SHEET REV. A
	TITLE SCHEMATIC, MEB		A4	SHEET 16 OF	

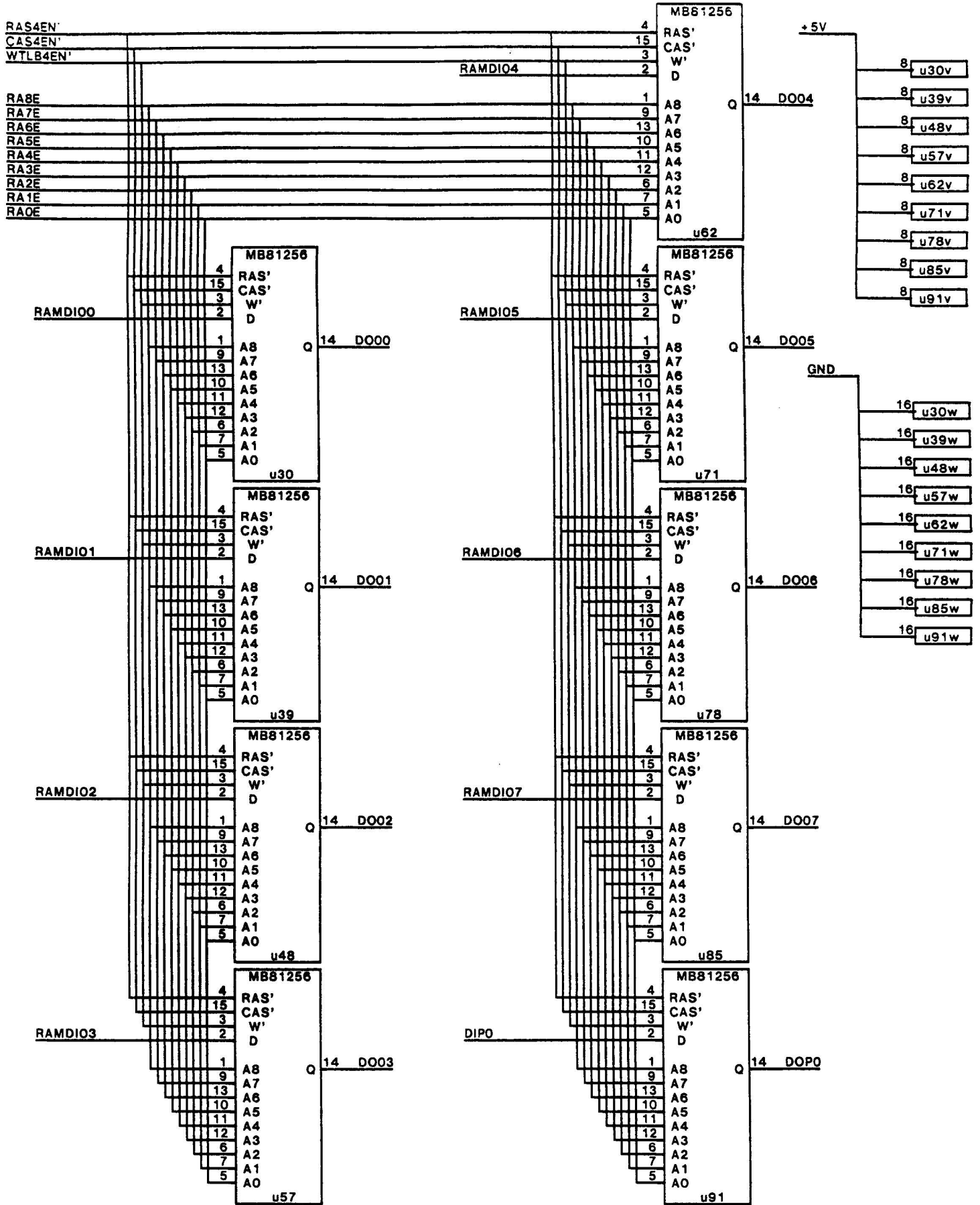


ROW 4 L-BYTE



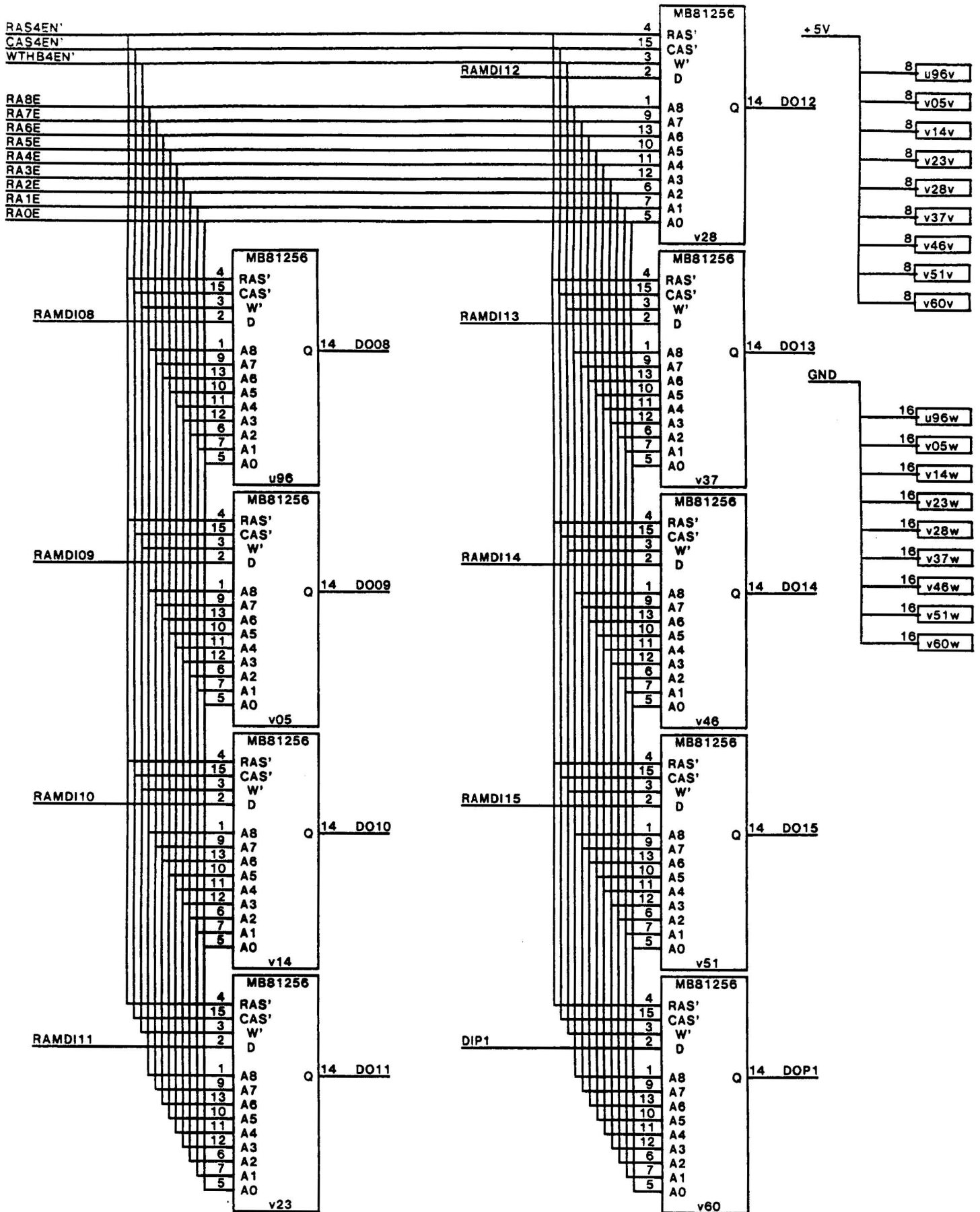
ROW 4 H-BYTE

XEROX	PROPRIETARY NOTE ON COVER SHEET APPLIES TO ALL SHEETS	DWG SIZE A4	DWG NO. 156E07060	SHEET REV. A
	TITLE SCHEMATIC, MEB		SHEET 18 OF	



ROW 5 L-BYTE

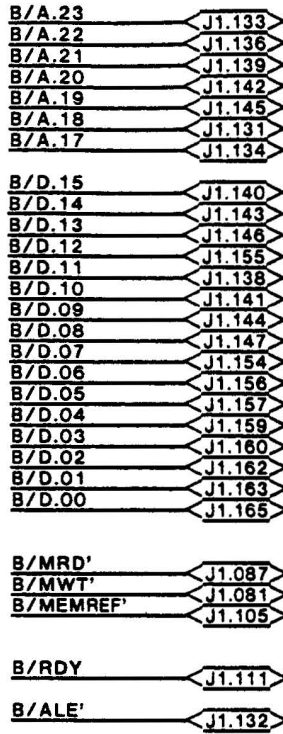
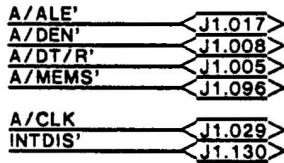
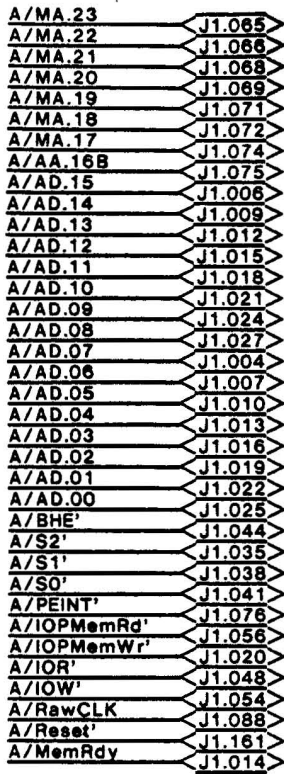
XEROX	PROPRIETARY NOTE ON COVER SHEET APPLIES TO ALL SHEETS		DWG SIZE A4	DWG NO. 156E07060		SHEET REV. A
	TITLE SCHEMATIC, MEB			SHEET 19 OF		



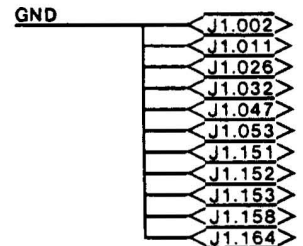
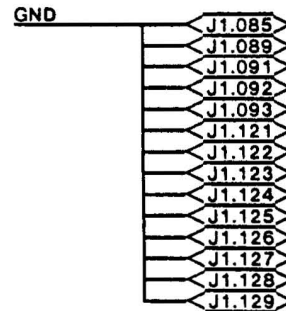
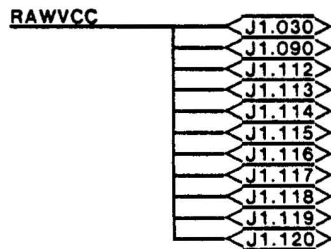
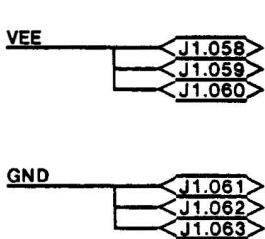
ROW 5 H-BYTE

86 BUS INTERFACE SIGNALS

MESA BUS INTERFACE SIGNALS



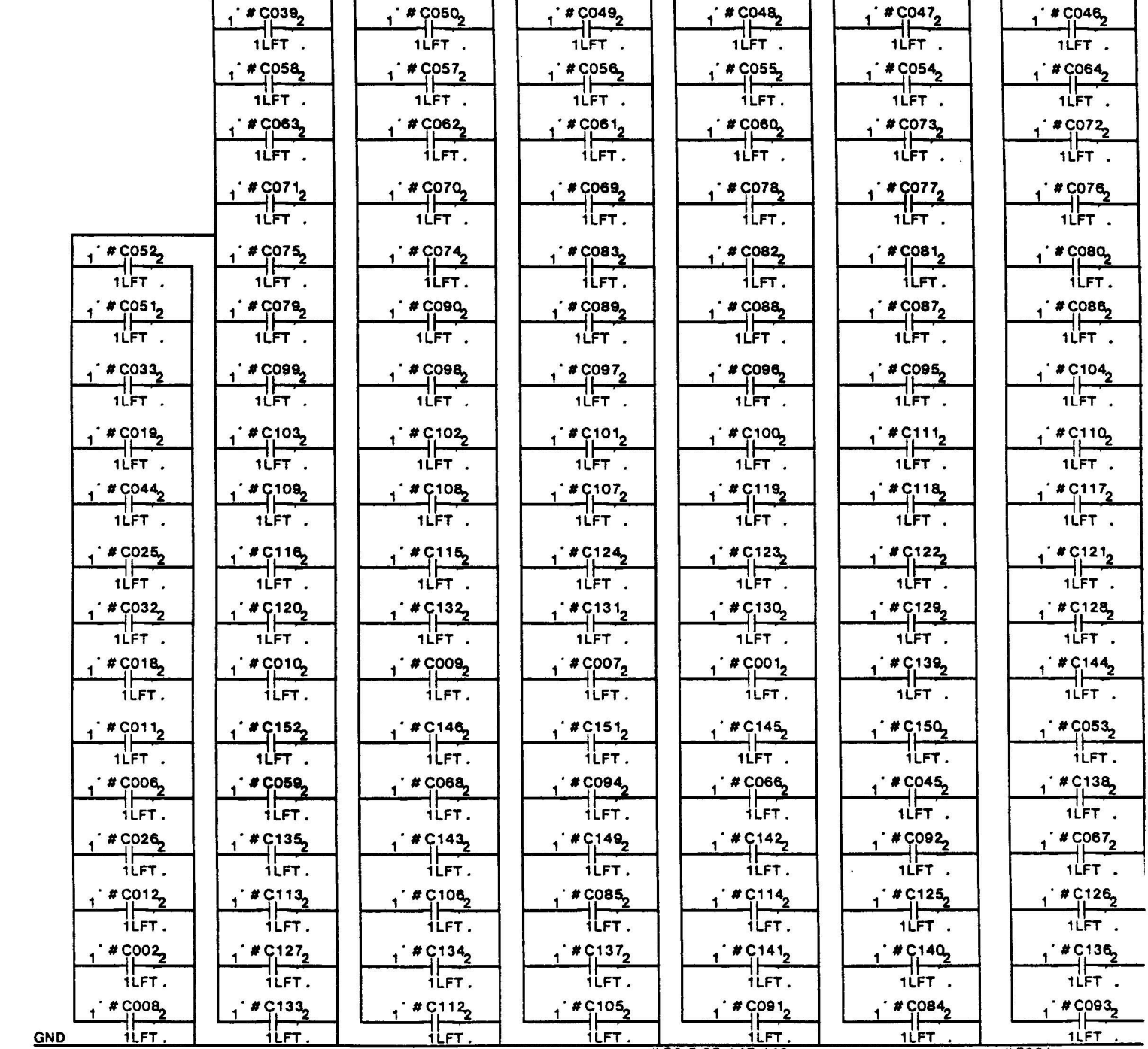
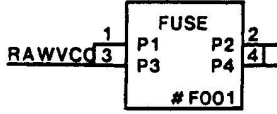
POWER CONNECTIONS



:# C1-2.6-64.66-146
 :P # = 102P01187
 0.1uf, 50V

:# C149-152
 :P # = 102P01187
 0.1uf, 50V

Always connect
 pin 1 to 3 and
 pin 2 to 4



NOTE: EACH DRAM SHALL HAVE A .1uf CAP. FOR DECOUPLING.

:# C3-5,65,147,148
 :P # = 702W10030
 22uf 10V

:# F001
 :P # = 708W11502

XEROX	PROPRIETARY NOTE ON COVER SHEET APPLIES TO ALL SHEETS		DWG SIZE	DWG NO. 156E07060	SHEET REV.
	TITLE SCHEMATIC, MEB		A4	SHEET 22 OF	A

Comments:

- 1) Designator notation notes: u1-99 = U1-99, v0-99 = U100-199, w0-99 = U200-299
- 2) The last item on lines below, preceded by a semicolon (;), is the schematic page number on which the test point, connector or signal information originates.
- 3) Line with no page number was a continuation of the previous line.

#TP01	.1i	TEST1	;10	J1	.068	A/MA.21	;21
#TP02	.1i	GND	;10	J1	.069	A/MA.20	;21
#TP03	.1i	TEST2	;10	J1	.071	A/MA.19	;21
#TP04	.1i	GND	;10	J1	.072	A/MA.18	;21
#TP05	.1i	TEST3	;10	J1	.074	A/MA.17	;21
#TP06	.1i	GND	;10	J1	.075	A/AA.16B	;21
				J1	.076	A/PEINT'	;21
J1	.002	GND	;21	J1	.081	B/MWT'	;21
J1	.004	A/AD.07	;21	J1	.085	GND	;21
J1	.005	A/DT/R'	;21	J1	.087	B/MRD'	;21
J1	.006	A/AD.15	;21	J1	.088	A/RawCLK	;21
J1	.007	A/AD.06	;21	J1	.089	GND	;21
J1	.008	A/DEN'	;21	J1	.090	RAWVCC	;21
J1	.009	A/AD.14	;21	J1	.091	GND	;21
J1	.010	A/AD.05	;21	J1	.092	GND	;21
J1	.011	GND	;21	J1	.093	GND	;21
J1	.012	A/AD.13	;21	J1	.096	A/MEMS'	;21
J1	.013	A/AD.04	;21	J1	.105	B/MEMREF'	;21
J1	.014	A/MemRdy	;21	J1	.111	B/RDY	;21
J1	.015	A/AD.12	;21	J1	.112	RAWVCC	;21
J1	.016	A/AD.03	;21	J1	.113	RAWVCC	;21
J1	.017	A/ALE'	;21	J1	.114	RAWVCC	;21
J1	.018	A/AD.11	;21	J1	.115	RAWVCC	;21
J1	.019	A/AD.02	;21	J1	.116	RAWVCC	;21
J1	.020	A/IOPMemWr'	;21	J1	.117	RAWVCC	;21
J1	.021	A/AD.10	;21	J1	.118	RAWVCC	;21
J1	.022	A/AD.01	;21	J1	.119	RAWVCC	;21
J1	.024	A/AD.09	;21	J1	.120	RAWVCC	;21
J1	.025	A/AD.00	;21	J1	.121	GND	;21
J1	.026	GND	;21	J1	.122	GND	;21
J1	.027	A/AD.08	;21	J1	.123	GND	;21
J1	.029	A/CLK	;21	J1	.124	GND	;21
J1	.030	RAWVCC	;21	J1	.125	GND	;21
J1	.032	GND	;21	J1	.126	GND	;21
J1	.035	A/S2'	;21	J1	.127	GND	;21
J1	.038	A/S1'	;21	J1	.128	GND	;21
J1	.041	A/S0'	;21	J1	.129	GND	;21
J1	.044	A/BHE'	;21	J1	.130	INTDIS'	;21
J1	.047	GND	;21	J1	.131	B/A.18	;21
J1	.048	A/IOR'	;21	J1	.132	B/ALE'	;21
J1	.053	GND	;21	J1	.133	B/A.23	;21
J1	.054	A/IOW'	;21	J1	.134	B/A.17	;21
J1	.056	A/IOPMemRd'	;21	J1	.136	B/A.22	;21
J1	.058	VEE	;21	J1	.138	B/D.11	;21
J1	.059	VEE	;21	J1	.139	B/A.21	;21
J1	.060	VEE	;21	J1	.140	B/D.15	;21
J1	.061	GND	;21	J1	.141	B/D.10	;21
J1	.062	GND	;21	J1	.142	B/A.20	;21
J1	.063	GND	;21	J1	.143	B/D.14	;21
J1	.065	A/MA.23	;21	J1	.144	B/D.09	;21
J1	.066	A/MA.22	;21	J1	.145	B/A.19	;21

XEROX	PROPRIETARY NOTE ON COVER SHEET APPLIES TO ALL SHEETS		DWG SIZE A4	DWG NO. 156E07060		SHEET REV. A
	TITLE	SCHEMATIC, MEB		SHEET	23 OF	

J1	.146 B/D.13	;21	+5V:	v46.8i, v51.8i, v60.8i	
J1	.147 B/D.08	;21	+5V:	#C147.1i, #C013.1i, #C031.1i	;22
J1	.151 GND	;21	+5V:	#C037.1i, #C041.1i, #C047.1i	
J1	.152 GND	;21	+5V:	#C054.1i, #C073.1i, #C077.1i	
J1	.153 GND	;21	+5V:	#C081.1i, #C087.1i, #C095.1i	
J1	.154 B/D.07	;21	+5V:	#C111.1i, #C118.1i, #C122.1i	
J1	.155 B/D.12	;21	+5V:	#C129.1i, #C139.1i, #C150.1i	
J1	.156 B/D.06	;21	+5V:	#C045.1i, #C092.1i, #C125.1i	
J1	.157 B/D.05	;21	+5V:	#C140.1i, #C084.1i, #C065.1i	
J1	.158 GND	;21	+5V:	#C014.1i, #C020.1i, #C038.1i	
J1	.159 B/D.04	;21	+5V:	#C042.1i, #C048.1i, #C055.1i	
J1	.160 B/D.03	;21	+5V:	#C060.1i, #C078.1i, #C082.1i	
J1	.161 A/Reset'	;21	+5V:	#C088.1i, #C096.1i, #C100.1i	
J1	.162 B/D.02	;21	+5V:	#C119.1i, #C123.1i, #C130.1i	
J1	.163 B/D.01	;21	+5V:	#C001.1i, #C145.1i, #C066.1i	
J1	.164 GND	;21	+5V:	#C142.1i, #C114.1i, #C141.1i	
J1	.165 B/D.00	;21	+5V:	#C091.1i, #C005.1i, #C015.1i	
			+5V:	#C021.1i, #C027.1i, #C043.1i	
			+5V:	#C049.1i, #C056.1i, #C061.1i	
+5V:	u09.20o ;10		+5V:	#C069.1i, #C083.1i, #C089.1i	
+5V:	u03.20o ;10		+5V:	#C097.1i, #C101.1i, #C107.1i	
+5V:	u04.20o ;10		+5V:	#C124.1i, #C131.1i, #C007.1i	
+5V:	v67.20o ;10		+5V:	#C151.1i, #C094.1i, #C149.1i	
+5V:	#R068.1i, #R016.1i, #R067.1i ;10		+5V:	#C085.1i, #C137.1i, #C105.1i	
+5V:	u80.9i ;10		+5V:	#C003.1i, #C016.1i, #C022.1i	
+5V:	u80.25i ;10		+5V:	#C028.1i, #C034.1i, #C050.1i	
+5V:	u80.43o ;10		+5V:	#C057.1i, #C062.1i, #C070.1i	
+5V:	u80.61o ;10		+5V:	#C074.1i, #C090.1i, #C098.1i	
+5V:	#R076.2o ;10		+5V:	#C102.1i, #C108.1i, #C115.1i	
+5V:	#R075.2o ;10		+5V:	#C132.1i, #C009.1i, #C146.1i	
+5V:	u26.8i, u35.8i, u44.8i ;11		+5V:	#C068.1i, #C143.1i, #C106.1i	
+5V:	u53.8i, u58.8i, u67.8i		+5V:	#C134.1i, #C112.1i, #C004.1i	
+5V:	u74.8i, u81.8i, u87.8i		+5V:	#C017.1i, #C023.1i, #C029.1i	
+5V:	u92.8i, v01.8i, v10.8i ;12		+5V:	#C035.1i, #C039.1i, #C058.1i	
+5V:	v19.8i, v24.8i, v33.8i		+5V:	#C063.1i, #C071.1i, #C052.1i	
+5V:	v42.8i, v47.8i, v56.8i		+5V:	#C051.1i, #C033.1i, #C019.1i	
+5V:	u27.8i, u36.8i, u45.8i ;13		+5V:	#C044.1i, #C025.1i, #C032.1i	
+5V:	u54.8i, u59.8i, u68.8i		+5V:	#C018.1i, #C011.1i, #C006.1i	
+5V:	u75.8i, u82.8i, u88.8i		+5V:	#C026.1i, #C012.1i, #C002.1i	
+5V:	u93.8i, v02.8i, v11.8i ;14		+5V:	#C008.1i, #C075.1i, #C079.1i	
+5V:	v20.8i, v25.8i, v34.8i		+5V:	#C099.1i, #C103.1i, #C109.1i	
+5V:	v43.8i, v48.8i, v57.8i		+5V:	#C116.1i, #C120.1i, #C010.1i	
+5V:	u28.8i, u37.8i, u46.8i ;15		+5V:	#C152.1i, #C059.1i, #C135.1i	
+5V:	u55.8i, u60.8i, u69.8i		+5V:	#C113.1i, #C127.1i, #C133.1i	
+5V:	u76.8i, u83.8i, u89.8i		+5V:	#F001.4o, #F001.2o, #C148.1i	
+5V:	u94.8i, v03.8i, v12.8i ;16		+5V:	#C024.1i, #C030.1i, #C036.1i	
+5V:	v21.8i, v26.8i, v35.8i		+5V:	#C040.1i, #C046.1i, #C064.1i	
+5V:	v44.8i, v49.8i, v58.8i		+5V:	#C072.1i, #C076.1i, #C080.1i	
+5V:	u29.8i, u38.8i, u47.8i ;17		+5V:	#C086.1i, #C104.1i, #C110.1i	
+5V:	u56.8i, u61.8i, u70.8i		+5V:	#C117.1i, #C121.1i, #C128.1i	
+5V:	u77.8i, u84.8i, u90.8i		+5V:	#C144.1i, #C053.1i, #C138.1i	
+5V:	u95.8i, v04.8i, v13.8i ;18		+5V:	#C067.1i, #C126.1i, #C136.1i	
+5V:	v22.8i, v27.8i, v36.8i		+5V:	#C093.1i	
+5V:	v45.8i, v50.8i, v59.8i				
+5V:	u30.8i, u39.8i, u48.8i ;19		2XCLK':	u24.11i, u10.3o, u22.11i ;02	
+5V:	u57.8i, u62.8i, u71.8i		2XCLK':	u01.11i ;03	
+5V:	u78.8i, u85.8i, u91.8i				
+5V:	u96.8i, v05.8i, v14.8i ;20		2XCLK:	v06.16o, u11.11i ;01	
+5V:	v23.8i, v28.8i, v37.8i		2XCLK:	u40.3i ;02	

XEROX	PROPRIETARY NOTE ON COVER SHEET APPLIES TO ALL SHEETS		DWG SIZE	DWG NO. 156E07060	SHEET REV. A
	TITLE SCHEMATIC, MEB		A4	SHEET 24 OF	

2XCLK: u22.3i, u10.1i ;02	A/A.11B: v55.5i ;04
A.19: u64.4o ;02	A/A.11B: v62.12o ;04
A.19: v63.4i ;07	A/A.12B: v55.11i ;04
A.19L: v63.5o, v73.4i ;07	A/A.12B: v62.9o ;04
A.20: u64.7o ;02	A/A.13B: v32.5i ;04
A.20: v63.7i ;07	A/A.13B: v62.6o ;04
A.20L: v63.6o, v73.7i ;07	A/A.14B: v32.11i ;04
A.21: u64.9o ;02	A/A.14B: v62.5o ;04
A.21: v63.8i ;07	A/A.15B: v54.6i ;04
A.21L: v63.9o, v73.8i ;07	A/A.15B: v62.2o ;04
A/21H: u33.6o, u41.5i ;01	A/A.16B: v29.15o ;01
A/2223L: u41.3o, u41.4i ;01	A/A.16B: v54.10i ;04
A/A.00B: v64.14i, v64.2i ;02	A/AA.16B: v29.14i ;01
A/A.00B: v07.4i ;02	A/AA.16B: J1.075 ;21
A/A.00B: v39.19o ;04	A/AD.00: v39.18i ;04
A/A.00B: u80.5i ;10	A/AD.00: v65.11o ;07
A/A.01B: v41.3i ;04	A/AD.00: v31.2i ;08
A/A.01B: v39.16o ;04	A/AD.00: u79.19o ;09
A/A.02B': u19.6o, u63.9i ;02	A/AD.00: J1.025 ;21
A/A.02B: u19.5i ;02	A/AD.01: v39.17i ;04
A/A.02B: v41.13i ;04	A/AD.01: v65.12o ;07
A/A.02B: v39.15o ;04	A/AD.01: v31.4i ;08
A/A.03B: v55.3i ;04	A/AD.01: u79.16o ;09
A/A.03B: v39.12o ;04	A/AD.01: J1.022 ;21
A/A.04B: v55.13i ;04	A/AD.02: v39.14i ;04
A/A.04B: v39.9o ;04	A/AD.02: v65.13o ;07
A/A.05B: v32.3i ;04	A/AD.02: v31.6i ;08
A/A.05B: v39.6o ;04	A/AD.02: u79.15o ;09
A/A.06B: v32.13i ;04	A/AD.02: J1.019 ;21
A/A.06B: v39.5o ;04	A/AD.03: v39.13i ;04
A/A.07B: v54.4i ;04	A/AD.03: v65.14o ;07
A/A.07B: v39.2o ;04	A/AD.03: v31.8i ;08
A/A.08B: v54.12i ;04	A/AD.03: u79.12o ;09
A/A.08B: v62.19o ;04	A/AD.03: J1.016 ;21
A/A.09B: v41.5i ;04	A/AD.04: v39.8i ;04
A/A.09B: v62.16o ;04	A/AD.04: v65.15o ;07
A/A.10B: v41.11i ;04	A/AD.04: v31.11i ;08
A/A.10B: v62.15o ;04	A/AD.04: u79.9o ;09
	A/AD.04: J1.013 ;21
	A/AD.05: v39.7i ;04
	A/AD.05: v65.16o ;07
	A/AD.05: v31.13i ;08
	A/AD.05: u79.6o ;09
	A/AD.05: J1.010 ;21
	A/AD.06: v39.4i ;04
	A/AD.06: v65.17o ;07

XEROX	PROPRIETARY NOTE ON COVER SHEET APPLIES TO ALL SHEETS		DWG SIZE A4	DWG NO. 156E07060		SHEET REV. A
	TITLE SCHEMATIC, MEB			SHEET 25	OF	

A/AD.06: v31.15i ;08
 A/AD.06: u79.5o ;09
 A/AD.06: J1.007 ;21

 A/AD.07: v39.3i ;04
 A/AD.07: v65.18o ;07
 A/AD.07: v31.17i ;08
 A/AD.07: u79.2o ;09
 A/AD.07: J1.004 ;21

 A/AD.08: v62.18i ;04
 A/AD.08: v66.11o ;07
 A/AD.08: u99.2i ;08
 A/AD.08: u73.19o ;09
 A/AD.08: J1.027 ;21

 A/AD.09: v62.17i ;04
 A/AD.09: v66.12o ;07
 A/AD.09: u99.4i ;08
 A/AD.09: u73.16o ;09
 A/AD.09: J1.024 ;21

 A/AD.10: v62.14i ;04
 A/AD.10: v66.13o ;07
 A/AD.10: u99.6i ;08
 A/AD.10: u73.15o ;09
 A/AD.10: J1.021 ;21

 A/AD.11: v62.13i ;04
 A/AD.11: v66.14o ;07
 A/AD.11: u99.8i ;08
 A/AD.11: u73.12o ;09
 A/AD.11: J1.018 ;21

 A/AD.12: v62.8i ;04
 A/AD.12: v66.15o ;07
 A/AD.12: u99.11i ;08
 A/AD.12: u73.9o ;09
 A/AD.12: J1.015 ;21

 A/AD.13: v62.7i ;04
 A/AD.13: v66.16o ;07
 A/AD.13: u99.13i ;08
 A/AD.13: u73.6o ;09
 A/AD.13: J1.012 ;21

 A/AD.14: v62.4i ;04
 A/AD.14: v66.17o ;07
 A/AD.14: u99.15i ;08
 A/AD.14: u73.5o ;09
 A/AD.14: J1.009 ;21

 A/AD.15: v62.3i ;04
 A/AD.15: v66.18o ;07
 A/AD.15: u99.17i ;08
 A/AD.15: u73.2o ;09
 A/AD.15: J1.006 ;21

 A/ADD17B: v29.9o ;01

A/ADD17B: v40.6i ;04

 A/ADD18B: v29.6o ;01
 A/ADD18B: v40.4i ;04

 A/ADD19B: v29.5o, u33.5i ;01
 A/ADD19B: u64.3i ;02
 A/ADD19B: u02.1i ;03

 A/ADD20B: v29.2o, u33.4i ;01
 A/ADD20B: u64.6i ;02
 A/ADD20B: u02.2i ;03

 A/ADD21B: u33.2i, v29.12o, u33.3i ;01
 A/ADD21B: u64.10i ;02
 A/ADD21B: u02.3i ;03

 A/ADD22B: v29.19o, u41.1i ;01

 A/ADD23B: v29.16o, u41.2i ;01

 A/ALE': v61.4i, v06.6i ;01
 A/ALE': J1.017 ;21

 A/ALEB': u23.4i, u21.9i, u11.1i ;01
 A/ALEB': v06.14o
 A/ALEB': u40.1i ;02
 A/ALEB': u40.10i ;02

 A/ALEB: v53.11i, v61.16o ;01
 A/ALEB: v62.11i, v39.11i ;04
 A/ALEB: u80.36o ;10

 A/BHE': v53.13i ;01
 A/BHE': J1.044 ;21

 A/BHEL': v53.12o ;01
 A/BHEL': v07.1i ;02
 A/BHEL': u80.4i ;10

 A/CLK': v61.12o, v06.2i ;01

 A/CLK: v61.8i ;01
 A/CLK: J1.029 ;21

 A/CLKB': v06.18o, u11.3i ;01

 A/DEN': v06.13i ;07
 A/DEN': J1.008 ;21

 A/DT/R': v52.15i ;07
 A/DT/R': J1.005 ;21

 A/IOPMemRd': v52.2i ;02
 A/IOPMemRd': J1.056 ;21

 A/IOPMemWr': v52.4i ;02
 A/IOPMemWr': J1.020 ;21

XEROX	PROPRIETARY NOTE ON COVER SHEET APPLIES TO ALL SHEETS		DWG SIZE A4	DWG NO. 156E07060	SHEET REV. A
	TITLE SCHEMATIC, MEB		SHEET 26	OF	

A/IOR': v52.11i ;02
 A/IOR': J1.048 ;21

 A/IORB': v52.9o, v07.10i ;02

 A/IOW': v52.13i ;02
 A/IOW': J1.054 ;21

 A/IOWB': v52.7o, v07.13i ;02

 A/MA.17: v29.8i ;01
 A/MA.17: J1.074 ;21

 A/MA.18: v29.7i ;01
 A/MA.18: J1.072 ;21

 A/MA.19: v29.4i ;01
 A/MA.19: J1.071 ;21

 A/MA.20: v29.3i ;01
 A/MA.20: J1.069 ;21

 A/MA.21: v29.13i ;01
 A/MA.21: J1.068 ;21

 A/MA.22: v29.18i ;01
 A/MA.22: J1.066 ;21

 A/MA.23: v29.17i ;01
 A/MA.23: J1.065 ;21

 A/MemRdy: v16.3o ;02
 A/MemRdy: J1.014 ;21

 A/MEMREF: v38.8o, u11.2i ;01
 A/MEMREF: v16.2i ;02

 A/MEMREFL': u11.8o ;01
 A/MEMREFL': u80.48o ;10

 A/MEMREFL: u11.9o ;01
 A/MEMREFL: u40.2i ;02

 A/MEMRF': u11.6o ;01
 A/MEMRF': v29.11i ;01

 A/MEMRF: u11.12i, u11.5o ;01

 A/MEMS': v52.8i ;02
 A/MEMS': J1.096 ;21

 A/MRDB': v52.18o, u63.1i ;02
 A/MRDB': u19.11i ;09

 A/MRDB: u19.10o, u01.1i ;09

 A/MRDBL': u63.3o ;02
 A/MRDBL': u49.1i ;07
 A/MRDBL': u80.46o ;10

A/MREFRST': u21.8o, u11.13i ;01

 A/MWT': v52.16o, u63.5i ;02
 A/MWT': u12.1i ;08

 A/MWTB': u99.1i, v31.19i, v31.1i ;08
 A/MWTB': u12.3o, u99.19i

 A/MWTBL': u63.6o ;02
 A/MWTBL': u80.45o ;10

 A/PEINT': v16.8o ;07
 A/PEINT': J1.076 ;21

 A/PEINTL: v61.17i, v73.11i ;07
 A/PEINTL: v74.11i, u42.9o, v16.9i

 A/RawCLK: v38.5i ;01
 A/RawCLK: J1.088 ;21

 A/RAWCLKB: v38.6o, v06.4i ;01
 A/RAWCLKB: u80.42o ;10

 A/RDYRST': u31.6o, u40.13i ;02

 A/READY: u40.9o, v16.1i ;02

 A/Reset': v52.6i ;02
 A/Reset': J1.161 ;21

 A/RESETB': u23.1i ;01
 A/RESETB': u40.11i ;02
 A/RESETB': v38.2i, v52.14o ;02
 A/RESETB': u34.9i ;07
 A/RESETB': u24.1i ;08

 A/RESETB1': v38.3o ;02
 A/RESETB1': u80.6i ;10

 A/S0': v53.18i ;01
 A/S0': J1.041 ;21

 A/S0'L: v53.19o, u98.2i ;01

 A/S01: u98.3o, v38.10i ;01

 A/S1': v53.17i ;01
 A/S1': J1.038 ;21

 A/S1'L: v53.16o, u98.1i ;01

 A/S2': v53.14i ;01
 A/S2': J1.035 ;21

 A/S2'L: v53.15o, v38.9i ;01

 AOM: v41.7o ;04
 AOM: v70.6i, v71.8i, v69.4i ;05

XEROX	PROPRIETARY NOTE ON COVER SHEET APPLIES TO ALL SHEETS		DWG SIZE A4	DWG NO. 156E07060	SHEET REV. A
	TITLE SCHEMATIC, MEB		SHEET 27 OF		

A0M: v72.4i, v77.6i ;06
A0MA': v69.16o, #R024.1i ;05
A0MB': v70.14o, #R034.1i ;05
A0MC': v71.12o, #R044.1i ;05
A0MD': v77.14o, #R054.1i ;06
A0ME': v72.16o, #R064.1i ;06
A17L: v68.19o, v74.18i ;07
A18L: v63.2o, v73.3i ;07
A1M: v41.9o ;04
A1M: v76.13i, v76.15i, v69.11i ;05
A1M: v72.11i, v71.17i ;06
A1M: v68.3i ;07
A1MA': v69.9o, #R019.1i ;05
A1MB': v76.7o, #R029.1i ;05
A1MC': v76.5o, #R039.1i ;05
A1MD': v71.3o, #R049.1i ;06
A1ME': v72.9o, #R059.1i ;06
A1ML: v68.2o, v74.3i ;07
A2M: v55.7o ;04
A2M: v70.8i, v76.2i, v69.6i ;05
A2M: v72.13i, v77.8i ;06
A2M: v68.4i ;07
A2MA': v69.14o, #R022.1i ;05
A2MB': v70.12o, #R032.1i ;05
A2MC': v76.18o, #R042.1i ;05
A2MD': v77.12o, #R052.1i ;06
A2ME': v72.7o, #R061.1i ;06
A2ML: v68.5o, v74.4i ;07
A3M: v55.9o ;04
A3M: v70.11i, v76.17i, v69.13i ;05
A3M: v72.6i, v77.11i ;06
A3M: v68.7i ;07
A3MA': v69.7o, #R021.1i ;05
A3MB': v70.9o, #R031.1i ;05
A3MC': v76.3o, #R041.1i ;05
A3MD': v77.9o, #R051.1i ;06
A3ME': v72.14o, #R062.1i ;06
A3ML: v68.6o, v74.7i ;07
A4M: v32.7o ;04
A4M: v76.6i, v76.4i, v69.8i ;05
A4M: v72.8i, v71.2i ;06
A4M: v68.8i ;07
A4MA': v69.12o, #R020.1i ;05
A4MB': v76.14o, #R030.1i ;05
A4MC': v76.16o, #R040.1i ;05
A4MD': v71.18o, #R050.1i ;06
A4ME': v72.12o, #R060.1i ;06
A4ML: v68.9o, v74.8i ;07
A5M: v32.9o ;04
A5M: v76.8i, v70.2i, v75.8i ;05
A5M: v77.2i, v71.4i ;06
A5M: v68.13i ;07
A5MA': v75.12o, #R018.1i ;05
A5MB': v76.12o, #R028.1i ;05
A5MC': v70.18o, #R038.1i ;05
A5MD': v71.16o, #R048.1i ;06
A5ME': v77.18o, #R058.1i ;06
A5ML: v68.12o, v74.13i ;07
A6M: v54.7o ;04
A6M: v70.13i, v71.11i, v69.15i ;05
A6M: v72.15i, v77.13i ;06
A6M: v68.14i ;07
A6MA': v69.5o, #R023.1i ;05
A6MB': v70.7o, #R033.1i ;05
A6MC': v71.9o, #R043.1i ;05
A6MD': v77.7o, #R053.1i ;06
A6ME': v72.5o, #R063.1i ;06
A6ML: v68.15o, v74.14i ;07

XEROX	PROPRIETARY NOTE ON COVER SHEET APPLIES TO ALL SHEETS		DWG SIZE A4	DWG NO. 156E07060	SHEET REV. A
	TITLE	SCHEMATIC, MEB	SHEET	28 OF	A

A7M: v54.9o ;04
 A7M: v76.11i, v70.17i, v75.11i ;05
 A7M: v77.17i, v71.15i ;06
 A7M: v68.17i ;07

A7MA': v75.9o, #R017.1i ;05

A7MB': v76.9o, #R027.1i ;05

A7MC': v70.3o, #R037.1i ;05

A7MD': v71.5o, #R047.1i ;06

A7ME': v77.3o, #R057.1i ;06

A7ML: v68.16o, v74.17i ;07

A8M: v40.7o ;04

A8M: v70.4i, v71.6i, v69.2i ;05

A8M: v72.2i, v77.4i ;06

A8M: v68.18i ;07

A8M: v63.3i ;07

A8MA': v69.18o, #R026.1i ;05

A8MB': v70.16o, #R036.1i ;05

A8MC': v71.14o, #R046.1i ;05

A8MD': v77.16o, #R056.1i ;06

A8ME': v72.18o, #R066.1i ;06

B/21H: u33.8o, u41.13i ;01

B/2223L: u41.8o, u41.12i ;01

B/A.17: u97.8i ;01

B/A.17: J1.134 ;21

B/A.18: u97.7i ;01

B/A.18: J1.131 ;21

B/A.19: u97.4i ;01

B/A.19: u50.4i ;01

B/A.19: J1.145 ;21

B/A.19G: u50.2o ;01

B/A.19G: u07.1i ;03

B/A.20: u97.3i ;01

B/A.20: u50.5i ;01

B/A.20: J1.142 ;21

B/A.20G: u50.7o ;01

B/A.20G: u07.2i ;03

B/A.21: u97.13i ;01

B/A.21: u50.12i ;01

B/A.21: J1.139 ;21

B/A.21G: u50.10o ;01

B/A.21G: u07.3i ;03

B/A.22: u97.18i ;01

B/A.22: J1.136 ;21

B/A.23: u97.17i ;01

B/A.23: J1.133 ;21

B/ADD17B: u97.9o ;01

B/ADD17B: v40.5i ;04

B/ADD18B: u97.6o ;01

B/ADD18B: v40.3i ;04

B/ADD19B: u97.5o, u33.10i ;01

B/ADD19B: u64.2i ;02

B/ADD20B: u97.2o, u33.9i ;01

B/ADD20B: u64.5i ;02

B/ADD21B: u33.1i, u97.12o, u33.13i ;01

B/ADD21B: u64.11i ;02

B/ADD22B: u97.19o, u41.9i ;01

B/ADD23B: u97.16o, u41.10i ;01

B/ALE': v61.2i, v06.8i ;01

B/ALE': J1.132 ;21

B/ALEB': u23.13i, v06.12o, u23.12i ;01

B/ALEB: v61.18o ;01

B/ALEB: v15.11i, v17.11i ;04

B/ALEB: u80.54o ;10

B/ALEL: u23.8o, u20.3i ;01

B/D.00: v17.18i ;04

B/D.00: v09.2i ;08

B/D.00: u66.19o ;09

B/D.00: J1.165 ;21

B/D.00B: v17.19o ;04

B/D.00B: v41.4i ;04

B/D.01: v17.17i ;04

B/D.01: v09.4i ;08

B/D.01: u66.16o ;09

B/D.01: J1.163 ;21

B/D.01B: v17.16o ;04

B/D.01B: v41.12i ;04

B/D.02: v17.14i ;04

B/D.02: v09.6i ;08

XEROX	PROPRIETARY NOTE ON COVER SHEET APPLIES TO ALL SHEETS		DWG SIZE A4	DWG NO. 156E07060	SHEET REV. A
	TITLE SCHEMATIC, MEB		SHEET 29 OF		

B/D.02: u66.15o ;09
B/D.02: J1.162 ;21

B/D.02B: v17.15o ;04
B/D.02B: v55.4i ;04

B/D.03: v17.13i ;04
B/D.03: v09.8i ;08
B/D.03: u66.12o ;09
B/D.03: J1.160 ;21

B/D.03B: v17.12o ;04
B/D.03B: v55.12i ;04

B/D.04: v17.8i ;04
B/D.04: v09.11i ;08
B/D.04: u66.9o ;09
B/D.04: J1.159 ;21

B/D.04B: v17.9o ;04
B/D.04B: v32.4i ;04

B/D.05: v17.7i ;04
B/D.05: v09.13i ;08
B/D.05: u66.6o ;09
B/D.05: J1.157 ;21

B/D.05B: v17.6o ;04
B/D.05B: v32.12i ;04

B/D.06: v17.4i ;04
B/D.06: v09.15i ;08
B/D.06: u66.5o ;09
B/D.06: J1.156 ;21

B/D.06B: v17.5o ;04
B/D.06B: v54.3i ;04

B/D.07: v17.3i ;04
B/D.07: v09.17i ;08
B/D.07: u66.2o ;09
B/D.07: J1.154 ;21

B/D.07B: v17.2o ;04
B/D.07B: v54.13i ;04

B/D.08: v15.18i ;04
B/D.08: v08.2i ;08
B/D.08: u52.19o ;09
B/D.08: J1.147 ;21

B/D.08B: v15.19o ;04
B/D.08B: v41.6i ;04

B/D.09: v15.17i ;04
B/D.09: v08.4i ;08
B/D.09: u52.16o ;09
B/D.09: J1.144 ;21

B/D.09B: v15.16o ;04
B/D.09B: v41.10i ;04

B/D.10: v15.14i ;04
B/D.10: v08.6i ;08
B/D.10: u52.15o ;09
B/D.10: J1.141 ;21

B/D.10B: v15.15o ;04
B/D.10B: v55.6i ;04

B/D.11: v15.13i ;04
B/D.11: v08.8i ;08
B/D.11: u52.12o ;09
B/D.11: J1.138 ;21

B/D.11B: v15.12o ;04
B/D.11B: v55.10i ;04

B/D.12: v15.8i ;04
B/D.12: v08.11i ;08
B/D.12: u52.9o ;09
B/D.12: J1.155 ;21

B/D.12B: v15.9o ;04
B/D.12B: v32.6i ;04

B/D.13: v15.7i ;04
B/D.13: v08.13i ;08
B/D.13: u52.6o ;09
B/D.13: J1.146 ;21

B/D.13B: v15.6o ;04
B/D.13B: v32.10i ;04

B/D.14: v15.4i ;04
B/D.14: v08.15i ;08
B/D.14: u52.5o ;09
B/D.14: J1.143 ;21

B/D.14B: v15.5o ;04
B/D.14B: v54.5i ;04

B/D.15: v15.3i ;04
B/D.15: v08.17i ;08
B/D.15: u52.2o ;09
B/D.15: J1.140 ;21

B/D.15B: v15.2o ;04
B/D.15B: v54.11i ;04

B/MEMREF': u97.11i ;01
B/MEMREF': u98.10i ;01
B/MEMREF': u72.2i ;02
B/MEMREF': J1.105 ;21

B/MEMREFB: u50.9i, u98.8o, u20.4i ;01

B/MEMREFL': u20.6o ;01

XEROX	PROPRIETARY NOTE ON COVER SHEET APPLIES TO ALL SHEETS		DWG SIZE A4	DWG NO. 156E07060	SHEET REV. A
	TITLE	SCHEMATIC, MEB		SHEET 30 OF	

B/MEMREFL': u80.53o ;10
 B/MRD': v00.4i ;07
 B/MRD': u80.38o ;10
 B/MRD': J1.087 ;21
 B/MRDBL': v00.6o, u49.2i ;07
 B/MWT': u12.4i ;08
 B/MWT': u80.37o ;10
 B/MWT': J1.081 ;21
 B/MWTB': v08.1i, v09.19i, v09.1i ;08
 B/MWTB': u12.6o, v08.19i
 B/RDY: u23.11i ;01
 B/RDY: v16.6o ;02
 B/RDY: J1.111 ;21
 B/READYL': u72.4o, v16.5i ;02
 B/READYL: u72.6i, u72.5i ;02
 B/READYL: u80.31i ;10
 BACTIVE: u72.1o, v16.4i ;02
 C/MEMREF': u80.49o, #R075.1i ;10
 C/MWT': u80.39o, #R076.1i ;10
 C0EN': u13.3o, #R003.1i ;03
 C1EN': u14.3o, #R006.1i ;03
 C2EN': u15.3o, #R009.1i ;03
 C3EN': u16.3o, #R012.1i ;03
 C4EN': u17.3o, #R015.1i ;03
 CASOEN': #R003.2o ;03
 CASOEN': u67.15i, u74.15i, u81.15i ;11
 CASOEN': u87.15i, u26.15i, u35.15i
 CASOEN': u44.15i, u53.15i, u58.15i
 CASOEN': v33.15i, v42.15i, v47.15i ;12
 CASOEN': v56.15i, u92.15i, v01.15i
 CASOEN': v10.15i, v19.15i, v24.15i
 CASOT: u31.4i ;02
 CASOT: u18.4i ;03
 CASOT: u80.24i ;10
 CAS1EN': #R006.2o ;03
 CAS1EN': u68.15i, u75.15i, u82.15i ;13
 CAS1EN': u88.15i, u27.15i, u36.15i
 CAS1EN': u45.15i, u54.15i, u59.15i
 CAS1EN': v34.15i, v43.15i, v48.15i ;14
 CAS1EN': v57.15i, u93.15i, v02.15i
 CAS1EN': v11.15i, v20.15i, v25.15i

CAS20: u51.4o, u05.14i ;03
 CAS20: u21.1i ;09
 CAS20: u21.4i ;09
 CAS2EN': #R009.2o ;03
 CAS2EN': u69.15i, u76.15i, u83.15i ;15
 CAS2EN': u89.15i, u28.15i, u37.15i
 CAS2EN': u46.15i, u55.15i, u60.15i
 CAS2EN': v35.15i, v44.15i, v49.15i ;16
 CAS2EN': v58.15i, u94.15i, v03.15i
 CAS2EN': v12.15i, v21.15i, v26.15i
 CAS30: u51.10o ;03
 CAS30: v63.11i ;07
 CAS30: v30.5i ;07
 CAS3EN': #R012.2o ;03
 CAS3EN': u70.15i, u77.15i, u84.15i ;17
 CAS3EN': u90.15i, u29.15i, u38.15i
 CAS3EN': u47.15i, u56.15i, u61.15i
 CAS3EN': v36.15i, v45.15i, v50.15i ;18
 CAS3EN': v59.15i, u95.15i, v04.15i
 CAS3EN': v13.15i, v22.15i, v27.15i
 CAS4EN': #R015.2o ;03
 CAS4EN': u71.15i, u78.15i, u85.15i ;19
 CAS4EN': u91.15i, u30.15i, u39.15i
 CAS4EN': u48.15i, u57.15i, u62.15i
 CAS4EN': v37.15i, v46.15i, v51.15i ;20
 CAS4EN': v60.15i, u96.15i, v05.15i
 CAS4EN': v14.15i, v23.15i, v28.15i
 CASD: u16.2i, u15.2i, u14.2i ;03
 CASD: u13.2i, u05.12o, u17.2i
 CASG: u18.6o, u51.1i ;03
 DB00: v66.9i, v73.2o, v74.2o ;07
 DB00: v65.9i
 DB00: u24.2i ;08
 DB01: v66.8i, v73.5o, v74.5o ;07
 DB01: v65.8i
 DB02: v66.7i, v73.6o, v74.6o ;07
 DB02: v65.7i
 DB03: v66.6i, v73.9o, v74.9o ;07
 DB03: v65.6i
 DB04: v66.5i, v73.12o, v74.12o ;07
 DB04: v65.5i
 DB05: v66.4i, v73.15o, v74.15o ;07
 DB05: v65.4i
 DB06: v66.3i, v73.16o, v74.16o ;07
 DB06: v65.3i

XEROX	PROPRIETARY NOTE ON COVER SHEET APPLIES TO ALL SHEETS		DWG SIZE A4	DWG NO. 156E07060		SHEET REV. A
	TITLE	SCHEMATIC, MEB		SHEET	31 OF	

DB07: v66.2i, v61.3o, v74.19o ;07
 DB07: v65.2i

 DENB': v06.7o, v00.13i, v00.10i ;07

 DIP0: u86.5o ;08
 DIP0: u87.2i ;11
 DIP0: u88.2i ;13
 DIP0: u89.2i ;15
 DIP0: u90.2i ;17
 DIP0: u91.2i ;19

 DIP1: v18.5o ;08
 DIP1: v56.2i ;12
 DIP1: v57.2i ;14
 DIP1: v58.2i ;16
 DIP1: v59.2i ;18
 DIP1: v60.2i ;20

 D000: u79.18i, u66.18i, u43.13i ;09
 D000: u26.14o ;11
 D000: u27.14o ;13
 D000: u28.14o ;15
 D000: u29.14o ;17
 D000: u30.14o ;19

 D001: u79.17i, u66.17i, u43.12i ;09
 D001: u35.14o ;11
 D001: u36.14o ;13
 D001: u37.14o ;15
 D001: u38.14o ;17
 D001: u39.14o ;19

 D002: u79.14i, u66.14i, u43.11i ;09
 D002: u44.14o ;11
 D002: u45.14o ;13
 D002: u46.14o ;15
 D002: u47.14o ;17
 D002: u48.14o ;19

 D003: u79.13i, u66.13i, u43.10i ;09
 D003: u53.14o ;11
 D003: u54.14o ;13
 D003: u55.14o ;15
 D003: u56.14o ;17
 D003: u57.14o ;19

 D004: u79.8i, u66.8i, u43.9i ;09
 D004: u58.14o ;11
 D004: u59.14o ;13
 D004: u60.14o ;15
 D004: u61.14o ;17
 D004: u62.14o ;19

 D005: u79.7i, u66.7i, u43.8i ;09
 D005: u67.14o ;11
 D005: u68.14o ;13
 D005: u69.14o ;15

D005: u70.14o ;17
 D005: u71.14o ;19

 D006: u79.4i, u66.4i, u43.4i ;09
 D006: u74.14o ;11
 D006: u75.14o ;13
 D006: u76.14o ;15
 D006: u77.14o ;17
 D006: u78.14o ;19

 D007: u79.3i, u66.3i, u43.2i ;09
 D007: u81.14o ;11
 D007: u82.14o ;13
 D007: u83.14o ;15
 D007: u84.14o ;17
 D007: u85.14o ;19

 D008: u52.18i, u73.18i, u25.13i ;09
 D008: u92.14o ;12
 D008: u93.14o ;14
 D008: u94.14o ;16
 D008: u95.14o ;18
 D008: u96.14o ;20

 D009: u52.17i, u73.17i, u25.12i ;09
 D009: v01.14o ;12
 D009: v02.14o ;14
 D009: v03.14o ;16
 D009: v04.14o ;18
 D009: v05.14o ;20

 D010: u52.14i, u73.14i, u25.11i ;09
 D010: v10.14o ;12
 D010: v11.14o ;14
 D010: v12.14o ;16
 D010: v13.14o ;18
 D010: v14.14o ;20

 D011: u52.13i, u73.13i, u25.10i ;09
 D011: v19.14o ;12
 D011: v20.14o ;14
 D011: v21.14o ;16
 D011: v22.14o ;18
 D011: v23.14o ;20

 D012: u52.8i, u73.8i, u25.9i ;09
 D012: v24.14o ;12
 D012: v25.14o ;14
 D012: v26.14o ;16
 D012: v27.14o ;18
 D012: v28.14o ;20

 D013: u52.7i, u73.7i, u25.8i ;09
 D013: v33.14o ;12
 D013: v34.14o ;14
 D013: v35.14o ;16
 D013: v36.14o ;18
 D013: v37.14o ;20

XEROX	PROPRIETARY NOTE ON COVER SHEET APPLIES TO ALL SHEETS		DWG SIZE	DWG NO. 156E07060	SHEET REV.
	TITLE SCHEMATIC, MEB		A4	SHEET 32 OF	A

D014: u52.4i, u73.4i, u25.4i ;09
 D014: v42.14o ;12
 D014: v43.14o ;14
 D014: v44.14o ;16
 D014: v45.14o ;18
 D014: v46.14o ;20

 D015: u52.3i, u73.3i, u25.2i ;09
 D015: v47.14o ;12
 D015: v48.14o ;14
 D015: v49.14o ;16
 D015: v50.14o ;18
 D015: v51.14o ;20

 DOCLK: u42.3i ;07
 DOCLK: u80.59o ;10

 DOP0: u43.1i ;09
 DOP0: u87.14o ;11
 DOP0: u88.14o ;13
 DOP0: u89.14o ;15
 DOP0: u90.14o ;17
 DOP0: u91.14o ;19

 DOP1: u25.1i ;09
 DOP1: v56.14o ;12
 DOP1: v57.14o ;14
 DOP1: v58.14o ;16
 DOP1: v59.14o ;18
 DOP1: v60.14o ;20

 DOPE0: u34.1i ;07
 DOPE0: u43.5o ;09

 DOPE0B: u34.3o ;07
 DOPE0B: u80.1i ;10

 DOPE1: u34.4i ;07
 DOPE1: u25.5o ;09

 DOPE1B: u34.6o ;07
 DOPE1B: u80.3i ;10

 DPAENB': u01.9o, u49.4i ;03

 DPAENB: u01.8o ;03
 DPAENB: u21.2i ;09

 DT/R': v52.5o, v30.11i ;07

 DT/R: v30.10o, v66.1i, v65.1i ;07

 ERRCLK': v30.6o ;07
 ERRCLK': u80.2i ;10

 GND: u23.2i ;01
 GND: #R070.1i ;01
 GND: v61.6i ;01
 GND: u40.12i ;02

 GND: v64.3i ;02
 GND: v64.13i ;02
 GND: #R071.1i ;02
 GND: u64.15i ;02
 GND: u05.15i ;03
 GND: u17.4i, u17.5i ;03
 GND: u10.9i, u10.10i ;03
 GND: u02.4i ;03
 GND: v40.1i, v54.1i, v54.15i ;04
 GND: v32.1i, v32.15i, v55.1i
 GND: v55.15i, v41.1i, v41.15i
 GND: v40.15i
 GND: #R072.1i ;06
 GND: #R073.1i ;06
 GND: u42.11i, u42.12i ;07
 GND: #R074.1i ;07
 GND: u01.2i, u01.3i ;09
 GND: u09.10i ;10
 GND: v67.10i ;10
 GND: u03.10i ;10
 GND: u04.10i ;10
 GND: u80.10i ;10
 GND: u80.26i ;10
 GND: u80.27i ;10
 GND: u80.60o ;10
 GND: u80.8i ;10
 GND: #TP04.1i, #TP02.1i, #TP06.1i ;10
 GND: u80.11i ;10
 GND: u80.14i ;10
 GND: u80.44o ;10
 GND: u32.11i ;10
 GND: u80.15i ;10
 GND: u80.16i ;10
 GND: u80.12i ;10
 GND: u80.13i ;10
 GND: u80.41o ;10
 GND: u80.40o ;10
 GND: u26.16i, u35.16i, u44.16i ;11
 GND: u53.16i, u58.16i, u67.16i
 GND: u74.16i, u81.16i, u87.16i
 GND: u92.16i, v01.16i, v10.16i ;12
 GND: v19.16i, v24.16i, v33.16i
 GND: v42.16i, v47.16i, v56.16i
 GND: u27.16i, u36.16i, u45.16i ;13
 GND: u54.16i, u59.16i, u68.16i
 GND: u75.16i, u82.16i, u88.16i
 GND: u93.16i, v02.16i, v11.16i ;14
 GND: v20.16i, v25.16i, v34.16i
 GND: v43.16i, v48.16i, v57.16i
 GND: u28.16i, u37.16i, u46.16i ;15
 GND: u55.16i, u60.16i, u69.16i
 GND: u76.16i, u83.16i, u89.16i
 GND: u94.16i, v03.16i, v12.16i ;16
 GND: v21.16i, v26.16i, v35.16i
 GND: v44.16i, v49.16i, v58.16i
 GND: u29.16i, u38.16i, u47.16i ;17
 GND: u56.16i, u61.16i, u70.16i
 GND: u77.16i, u84.16i, u90.16i
 GND: u95.16i, v04.16i, v13.16i ;18

XEROX	PROPRIETARY NOTE ON COVER SHEET APPLIES TO ALL SHEETS		DWG SIZE A4	DWG NO. 156E07060	SHEET REV. A
	TITLE SCHEMATIC, MEB		SHEET 33	OF	

GND: v22.16i, v27.16i, v36.16i
 GND: v45.16i, v50.16i, v59.16i
 GND: u30.16i, u39.16i, u48.16i ;19
 GND: u57.16i, u62.16i, u71.16i
 GND: u78.16i, u85.16i, u91.16i
 GND: u96.16i, v05.16i, v14.16i ;20
 GND: v23.16i, v28.16i, v37.16i
 GND: v46.16i, v51.16i, v60.16i
 GND: J1.062, J1.063, J1.061 ;21
 GND: J1.089, J1.091, J1.092 ;21
 GND: J1.093, J1.121, J1.122
 GND: J1.123, J1.124, J1.125
 GND: J1.126, J1.127, J1.128
 GND: J1.129, J1.085
 GND: J1.011, J1.026, J1.032 ;21
 GND: J1.047, J1.053, J1.151
 GND: J1.152, J1.153, J1.158
 GND: J1.164, J1.002
 GND: #C084.2o, #C140.2o, #C125.2o ;22
 GND: #C092.2o, #C045.2o, #C150.2o
 GND: #C139.2o, #C129.2o, #C122.2o
 GND: #C118.2o, #C111.2o, #C095.2o
 GND: #C087.2o, #C081.2o, #C077.2o
 GND: #C073.2o, #C054.2o, #C047.2o
 GND: #C041.2o, #C037.2o, #C031.2o
 GND: #C013.2o, #C147.2o, #C091.2o
 GND: #C141.2o, #C114.2o, #C142.2o
 GND: #C066.2o, #C145.2o, #C001.2o
 GND: #C130.2o, #C123.2o, #C119.2o
 GND: #C100.2o, #C096.2o, #C088.2o
 GND: #C082.2o, #C078.2o, #C060.2o
 GND: #C055.2o, #C048.2o, #C042.2o
 GND: #C038.2o, #C020.2o, #C014.2o
 GND: #C065.2o, #C105.2o, #C137.2o
 GND: #C085.2o, #C149.2o, #C094.2o
 GND: #C151.2o, #C007.2o, #C131.2o
 GND: #C124.2o, #C107.2o, #C101.2o
 GND: #C097.2o, #C089.2o, #C083.2o
 GND: #C069.2o, #C061.2o, #C056.2o
 GND: #C049.2o, #C043.2o, #C027.2o
 GND: #C021.2o, #C015.2o, #C005.2o
 GND: #C112.2o, #C134.2o, #C106.2o
 GND: #C143.2o, #C068.2o, #C146.2o
 GND: #C009.2o, #C132.2o, #C115.2o
 GND: #C108.2o, #C102.2o, #C098.2o
 GND: #C090.2o, #C074.2o, #C070.2o
 GND: #C062.2o, #C057.2o, #C050.2o
 GND: #C034.2o, #C028.2o, #C022.2o
 GND: #C016.2o, #C003.2o, #C133.2o
 GND: #C127.2o, #C113.2o, #C135.2o
 GND: #C059.2o, #C152.2o, #C010.2o
 GND: #C120.2o, #C116.2o, #C109.2o
 GND: #C103.2o, #C099.2o, #C079.2o
 GND: #C075.2o, #C071.2o, #C063.2o
 GND: #C058.2o, #C039.2o, #C035.2o
 GND: #C029.2o, #C023.2o, #C017.2o
 GND: #C004.2o, #C008.2o, #C002.2o
 GND: #C012.2o, #C026.2o, #C006.2o
 GND: #C011.2o, #C018.2o, #C032.2o

GND: #C025.2o, #C044.2o, #C019.2o
 GND: #C033.2o, #C051.2o, #C052.2o
 GND: #C093.2o, #C136.2o, #C126.2o
 GND: #C067.2o, #C138.2o, #C053.2o
 GND: #C144.2o, #C128.2o, #C121.2o
 GND: #C117.2o, #C110.2o, #C104.2o
 GND: #C086.2o, #C080.2o, #C076.2o
 GND: #C072.2o, #C064.2o, #C046.2o
 GND: #C040.2o, #C036.2o, #C030.2o
 GND: #C024.2o, #C148.2o

HIGH3: u17.6o, u17.12i, u16.12i ;03
 HIGH3: u15.12i, u14.12i, u13.12i
 HIGH3: u17.1i, u16.1i, u15.1i
 HIGH3: u14.1i, u13.1i

INTDIS': v16.10i, v16.11o ;07
 INTDIS': J1.130 ;21

IOENHB': v07.3o ;02
 IOENHB': v00.12i ;07

IOENLB': v07.6o ;02
 IOENLB': v00.9i ;07

IOHB': v00.11o, v66.19i ;07

IOLB': v00.8o, v65.19i ;07

IORDEN': v07.8o, v64.1i ;02

IOWTEN': v07.11o, v64.15i ;02

LOW1: v06.1i, v61.1i, #R070.2o ;01
 LOW1: v06.19i

LOW2: v52.1i, #R071.2o, v52.19i ;02

LOW5: v77.1i, v72.19i, v72.1i ;06
 LOW5: v71.19i, v71.1i, #R072.2o
 LOW5: v77.19i

LOW6: v76.1i, v75.19i, v75.1i ;06
 LOW6: v70.19i, v70.1i, v69.19i
 LOW6: v69.1i, #R073.2o, v76.19i

LOW7: v68.1i, #R074.2o, v63.1i ;07

MEBIOEN': v07.2i, v07.9i, v07.12i ;02
 MEBIOEN': u63.8o, v07.5i

MEBIOHBRDEN': v64.5o ;02
 MEBIOHBRDEN': v61.19i, v73.1i ;07

MEBIOLBRDEN': v64.4o ;02
 MEBIOLBRDEN': v74.1i ;07

MEMCONT: u23.5o, u21.10i ;01

XEROX	PROPRIETARY NOTE ON COVER SHEET APPLIES TO ALL SHEETS		DWG SIZE A4	DWG NO. 156E07060	SHEET REV. A
	TITLE SCHEMATIC, MEB			SHEET 34 OF	

MEMORY: u40.5o, u31.2i ;02
 MEMRD: u49.3o, u42.2i ;07
 MEMS': v52.12o, u63.10i ;02
 MPBEN': u07.4i ;03
 MPBEN': u49.6o ;03
 PAAH': u41.6o ;01
 PAAH': u31.3i ;02
 PAAH': u80.47o ;10
 PADOEN': u79.1i, u01.6o, u73.1i ;09
 PADOL: u79.11i, u21.3o, u73.11i ;09
 PAEN': u20.2i ;02
 PAEN': u02.5i ;03
 PAEN': v54.14i, v40.14i ;04
 PAEN': u80.55o ;10
 PAEN': u32.1i ;10
 PAENB': u23.3i ;01
 PAENB': u63.4i, u63.2i ;02
 PAENB': u49.5i, u01.12i ;03
 PAENB': v63.17i ;07
 PAENB': u12.2i ;08
 PAENB': u32.4o ;10
 PAENB: u31.5i ;02
 PAENB: u64.1i ;02
 PAENB: u32.3i, u32.2o ;10
 PAENBL': v63.16o, v73.17i ;07
 PARDEN': u01.4i ;09
 PARDEN': u80.35o ;10
 PARITYMODE: u86.1i, u24.5o, v18.1i ;08
 PBAH': u41.11o ;01
 PBAH': u72.3i ;02
 PBAH': u80.50o ;10
 PBDOL: u66.11i, u21.6o, u52.11i ;09
 PBEN': u20.13i ;02
 PBEN': v55.14i, v41.14i, v32.14i ;04
 PBEN': u80.56o ;10
 PBEN': u32.5i ;10
 PBENB': u07.5i ;03
 PBENB': v00.5i ;07
 PBENB': v63.14i ;07
 PBENB': u12.5i ;08
 PBENB': u32.8o ;10
 PBENB: u21.5i ;09
 PBENB: u32.9i, u32.6o ;10
 PBENBL': v63.15o, v73.14i ;07
 PBRDEN': u66.1i, u52.1i ;09
 PBRDEN': u80.34i ;10
 PCENBL': v63.12o, v73.13i ;07
 PEINT': u42.10i ;07
 PEINT': u80.68o ;10
 PTCLK': v64.11o ;02
 PTCLK': v30.9i, u34.10i ;07
 PTCLK: v16.12i, v30.8o, v16.13i ;07
 PTRES': u34.8o, u42.13i ;07
 PULLUP1: u11.4i ;01
 PULLUP1: u23.10i ;01
 PULLUP1: u50.1i ;01
 PULLUP1: u98.9i ;01
 PULLUP1: v38.4i ;01
 PULLUP1: v61.14o ;01
 PULLUP1: u11.10i ;01
 PULLUP1: u20.1i ;02
 PULLUP1: v63.13i ;07
 PULLUP1: u24.4i ;08
 PULLUP2: u40.4i ;02
 PULLUP2: u22.13i, u22.1i, u10.2i ;02
 PULLUP2: u24.13i
 PULLUP2: u22.10i, u22.4i, u24.10i ;02
 PULLUP2: u42.4i ;07
 PULLUP2: u32.10o ;10
 PULLUP3: u18.2i ;03
 PULLUP3: u01.13i, u10.8o ;03
 PULLUP3: u02.6i ;03
 PULLUP3: u07.6i ;03
 PULLUP3: u01.10i ;03
 ROEN': u13.8o, #R001.1i ;03
 R1EN': u14.8o, #R004.1i ;03
 R2EN': u15.8o, #R007.1i ;03
 R3EN': u16.8o, #R010.1i ;03
 R4EN': u17.8o, #R013.1i ;03
 RAOA: #R024.2o ;05
 RAOA: u67.5i, u74.5i, u81.5i ;11
 RAOA: u87.5i, u26.5i, u35.5i
 RAOA: u44.5i, u53.5i, u58.5i
 RAOA: v33.5i, v42.5i, v47.5i ;12
 RAOA: v56.5i, u92.5i, v01.5i

XEROX	PROPRIETARY NOTE ON COVER SHEET APPLIES TO ALL SHEETS		DWG SIZE A4	DWG NO. 156E07060	SHEET REV. A
	TITLE SCHEMATIC, MEB		SHEET 35	OF	

RAOA: v10.5i, v19.5i, v24.5i
 RAOB: #R034.2o ;05
 RAOB: u68.5i, u75.5i, u82.5i ;13
 RAOB: u88.5i, u27.5i, u36.5i
 RAOB: u45.5i, u54.5i, u59.5i
 RAOB: v34.5i, v43.5i, v48.5i ;14
 RAOB: v57.5i, u93.5i, v02.5i
 RAOB: v11.5i, v20.5i, v25.5i
 RAOC: #R044.2o ;05
 RAOC: u69.5i, u76.5i, u83.5i ;15
 RAOC: u89.5i, u28.5i, u37.5i
 RAOC: u46.5i, u55.5i, u60.5i
 RAOC: v35.5i, v44.5i, v49.5i ;16
 RAOC: v58.5i, u94.5i, v03.5i
 RAOC: v12.5i, v21.5i, v26.5i
 RAOD: #R054.2o ;06
 RAOD: u70.5i, u77.5i, u84.5i ;17
 RAOD: u90.5i, u29.5i, u38.5i
 RAOD: u47.5i, u56.5i, u61.5i
 RAOD: v36.5i, v45.5i, v50.5i ;18
 RAOD: v59.5i, u95.5i, v04.5i
 RAOD: v13.5i, v22.5i, v27.5i
 RAOE: #R064.2o ;06
 RAOE: u71.5i, u78.5i, u85.5i ;19
 RAOE: u91.5i, u30.5i, u39.5i
 RAOE: u48.5i, u57.5i, u62.5i
 RAOE: v37.5i, v46.5i, v51.5i ;20
 RAOE: v60.5i, u96.5i, v05.5i
 RAOE: v14.5i, v23.5i, v28.5i
 RA1A: #R019.2o ;05
 RA1A: u67.7i, u74.7i, u81.7i ;11
 RA1A: u87.7i, u26.7i, u35.7i
 RA1A: u44.7i, u53.7i, u58.7i
 RA1A: v33.7i, v42.7i, v47.7i ;12
 RA1A: v56.7i, u92.7i, v01.7i
 RA1A: v10.7i, v19.7i, v24.7i
 RA1B: #R029.2o ;05
 RA1B: u68.7i, u75.7i, u82.7i ;13
 RA1B: u88.7i, u27.7i, u36.7i
 RA1B: u45.7i, u54.7i, u59.7i
 RA1B: v34.7i, v43.7i, v48.7i ;14
 RA1B: v57.7i, u93.7i, v02.7i
 RA1B: v11.7i, v20.7i, v25.7i
 RA1C: #R039.2o ;05
 RA1C: u69.7i, u76.7i, u83.7i ;15
 RA1C: u89.7i, u28.7i, u37.7i
 RA1C: u46.7i, u55.7i, u60.7i
 RA1C: v35.7i, v44.7i, v49.7i ;16
 RA1C: v58.7i, u94.7i, v03.7i
 RA1C: v12.7i, v21.7i, v26.7i
 RA1D: #R049.2o ;06
 RA1D: u70.7i, u77.7i, u84.7i ;17
 RA1D: u90.7i, u29.7i, u38.7i
 RA1D: u47.7i, u56.7i, u61.7i
 RA1D: v36.7i, v45.7i, v50.7i ;18
 RA1D: v59.7i, u95.7i, v04.7i
 RA1D: v13.7i, v22.7i, v27.7i
 RA1E: #R059.2o ;06
 RA1E: u71.7i, u78.7i, u85.7i ;19
 RA1E: u91.7i, u30.7i, u39.7i
 RA1E: u48.7i, u57.7i, u62.7i
 RA1E: v37.7i, v46.7i, v51.7i ;20
 RA1E: v60.7i, u96.7i, v05.7i
 RA1E: v14.7i, v23.7i, v28.7i
 RA2A: #R022.2o ;05
 RA2A: u67.6i, u74.6i, u81.6i ;11
 RA2A: u87.6i, u26.6i, u35.6i
 RA2A: u44.6i, u53.6i, u58.6i
 RA2A: v33.6i, v42.6i, v47.6i ;12
 RA2A: v56.6i, u92.6i, v01.6i
 RA2A: v10.6i, v19.6i, v24.6i
 RA2B: #R032.2o ;05
 RA2B: u68.6i, u75.6i, u82.6i ;13
 RA2B: u88.6i, u27.6i, u36.6i
 RA2B: u45.6i, u54.6i, u59.6i
 RA2B: v34.6i, v43.6i, v48.6i ;14
 RA2B: v57.6i, u93.6i, v02.6i
 RA2B: v11.6i, v20.6i, v25.6i
 RA2C: #R042.2o ;05
 RA2C: u69.6i, u76.6i, u83.6i ;15
 RA2C: u89.6i, u28.6i, u37.6i
 RA2C: u46.6i, u55.6i, u60.6i
 RA2C: v35.6i, v44.6i, v49.6i ;16
 RA2C: v58.6i, u94.6i, v03.6i
 RA2C: v12.6i, v21.6i, v26.6i
 RA2D: #R052.2o ;06
 RA2D: u70.6i, u77.6i, u84.6i ;17
 RA2D: u90.6i, u29.6i, u38.6i
 RA2D: u47.6i, u56.6i, u61.6i
 RA2D: v36.6i, v45.6i, v50.6i ;18
 RA2D: v59.6i, u95.6i, v04.6i
 RA2D: v13.6i, v22.6i, v27.6i
 RA2E: #R061.2o ;06
 RA2E: u71.6i, u78.6i, u85.6i ;19
 RA2E: u91.6i, u30.6i, u39.6i
 RA2E: u48.6i, u57.6i, u62.6i
 RA2E: v37.6i, v46.6i, v51.6i ;20
 RA2E: v60.6i, u96.6i, v05.6i
 RA2E: v14.6i, v23.6i, v28.6i
 RA3A: #R021.2o ;05
 RA3A: u67.12i, u74.12i, u81.12i ;11
 RA3A: u87.12i, u26.12i, u35.12i
 RA3A: u44.12i, u53.12i, u58.12i

XEROX	PROPRIETARY NOTE ON COVER SHEET APPLIES TO ALL SHEETS		DWG SIZE A4	DWG NO. 156E07060	SHEET REV. A
	TITLE SCHEMATIC, MEB		SHEET 36	OF	

RA3A: v33.12i, v42.12i, v47.12i ;12
 RA3A: v56.12i, u92.12i, v01.12i
 RA3A: v10.12i, v19.12i, v24.12i

RA3B: #R031.2o ;06
 RA3B: u68.12i, u75.12i, u82.12i ;13
 RA3B: u88.12i, u27.12i, u36.12i
 RA3B: u45.12i, u54.12i, u59.12i
 RA3B: v34.12i, v43.12i, v48.12i ;14
 RA3B: v57.12i, u93.12i, v02.12i
 RA3B: v11.12i, v20.12i, v25.12i

RA3C: #R041.2o ;05
 RA3C: u69.12i, u76.12i, u83.12i ;15
 RA3C: u89.12i, u28.12i, u37.12i
 RA3C: u46.12i, u55.12i, u60.12i
 RA3C: v35.12i, v44.12i, v49.12i ;16
 RA3C: v58.12i, u94.12i, v03.12i
 RA3C: v12.12i, v21.12i, v26.12i

RA3D: #R051.2o ;06
 RA3D: u70.12i, u77.12i, u84.12i ;17
 RA3D: u90.12i, u29.12i, u38.12i
 RA3D: u47.12i, u56.12i, u61.12i
 RA3D: v36.12i, v45.12i, v50.12i ;18
 RA3D: v59.12i, u95.12i, v04.12i
 RA3D: v13.12i, v22.12i, v27.12i

RA3E: #R062.2o ;06
 RA3E: u71.12i, u78.12i, u85.12i ;19
 RA3E: u91.12i, u30.12i, u39.12i
 RA3E: u48.12i, u57.12i, u62.12i
 RA3E: v37.12i, v46.12i, v51.12i ;20
 RA3E: v60.12i, u96.12i, v05.12i
 RA3E: v14.12i, v23.12i, v28.12i

RA4A: #R020.2o ;05
 RA4A: u67.11i, u74.11i, u81.11i ;11
 RA4A: u87.11i, u26.11i, u35.11i
 RA4A: u44.11i, u53.11i, u58.11i
 RA4A: v33.11i, v42.11i, v47.11i ;12
 RA4A: v56.11i, u92.11i, v01.11i
 RA4A: v10.11i, v19.11i, v24.11i

RA4B: #R030.2o ;05
 RA4B: u68.11i, u75.11i, u82.11i ;13
 RA4B: u88.11i, u27.11i, u36.11i
 RA4B: u45.11i, u54.11i, u59.11i
 RA4B: v34.11i, v43.11i, v48.11i ;14
 RA4B: v57.11i, u93.11i, v02.11i
 RA4B: v11.11i, v20.11i, v25.11i

RA4C: #R040.2o ;05
 RA4C: u69.11i, u76.11i, u83.11i ;15
 RA4C: u89.11i, u28.11i, u37.11i
 RA4C: u46.11i, u55.11i, u60.11i
 RA4C: v35.11i, v44.11i, v49.11i ;16
 RA4C: v58.11i, u94.11i, v03.11i
 RA4C: v12.11i, v21.11i, v26.11i

RA4D: #R050.2o ;06
 RA4D: u70.11i, u77.11i, u84.11i ;17
 RA4D: u90.11i, u29.11i, u38.11i
 RA4D: u47.11i, u56.11i, u61.11i
 RA4D: v36.11i, v45.11i, v50.11i ;18
 RA4D: v59.11i, u95.11i, v04.11i
 RA4D: v13.11i, v22.11i, v27.11i

RA4E: #R060.2o ;06
 RA4E: u71.11i, u78.11i, u85.11i ;19
 RA4E: u91.11i, u30.11i, u39.11i
 RA4E: u48.11i, u57.11i, u62.11i
 RA4E: v37.11i, v46.11i, v51.11i ;20
 RA4E: v60.11i, u96.11i, v05.11i
 RA4E: v14.11i, v23.11i, v28.11i

RA5A: #R018.2o ;05
 RA5A: u67.10i, u74.10i, u81.10i ;11
 RA5A: u87.10i, u26.10i, u35.10i
 RA5A: u44.10i, u53.10i, u58.10i
 RA5A: v33.10i, v42.10i, v47.10i ;12
 RA5A: v56.10i, u92.10i, v01.10i
 RA5A: v10.10i, v19.10i, v24.10i

RA5B: #R028.2o ;05
 RA5B: u68.10i, u75.10i, u82.10i ;13
 RA5B: u88.10i, u27.10i, u36.10i
 RA5B: u45.10i, u54.10i, u59.10i
 RA5B: v34.10i, v43.10i, v48.10i ;14
 RA5B: v57.10i, u93.10i, v02.10i
 RA5B: v11.10i, v20.10i, v25.10i

RA5C: #R038.2o ;05
 RA5C: u69.10i, u76.10i, u83.10i ;15
 RA5C: u89.10i, u28.10i, u37.10i
 RA5C: u46.10i, u55.10i, u60.10i
 RA5C: v35.10i, v44.10i, v49.10i ;16
 RA5C: v58.10i, u94.10i, v03.10i
 RA5C: v12.10i, v21.10i, v26.10i

RA5D: #R048.2o ;06
 RA5D: u70.10i, u77.10i, u84.10i ;17
 RA5D: u90.10i, u29.10i, u38.10i
 RA5D: u47.10i, u56.10i, u61.10i
 RA5D: v36.10i, v45.10i, v50.10i ;18
 RA5D: v59.10i, u95.10i, v04.10i
 RA5D: v13.10i, v22.10i, v27.10i

RA5E: #R058.2o ;06
 RA5E: u71.10i, u78.10i, u85.10i ;19
 RA5E: u91.10i, u30.10i, u39.10i
 RA5E: u48.10i, u57.10i, u62.10i
 RA5E: v37.10i, v46.10i, v51.10i ;20
 RA5E: v60.10i, u96.10i, v05.10i
 RA5E: v14.10i, v23.10i, v28.10i

RA6A: #R023.2o ;05
 RA6A: u67.13i, u74.13i, u81.13i ;11

XEROX	PROPRIETARY NOTE ON COVER SHEET APPLIES TO ALL SHEETS		DWG SIZE A4	DWG NO. 156E07060	SHEET REV. A
	TITLE SCHEMATIC, MEB		SHEET 37	OF	

RA6A: u87.13i, u26.13i, u35.13i
 RA6A: u44.13i, u53.13i, u58.13i
 RA6A: v33.13i, v42.13i, v47.13i ;12
 RA6A: v56.13i, u92.13i, v01.13i
 RA6A: v10.13i, v19.13i, v24.13i

 RA6B: #R033.2o ;05
 RA6B: u68.13i, u75.13i, u82.13i ;13
 RA6B: u88.13i, u27.13i, u36.13i
 RA6B: u45.13i, u54.13i, u59.13i
 RA6B: v34.13i, v43.13i, v48.13i ;14
 RA6B: v57.13i, u93.13i, v02.13i
 RA6B: v11.13i, v20.13i, v25.13i

 RA6C: #R043.2o ;05
 RA6C: u69.13i, u76.13i, u83.13i ;15
 RA6C: u89.13i, u28.13i, u37.13i
 RA6C: u46.13i, u55.13i, u60.13i
 RA6C: v35.13i, v44.13i, v49.13i ;16
 RA6C: v58.13i, u94.13i, v03.13i
 RA6C: v12.13i, v21.13i, v26.13i

 RA6D: #R053.2o ;06
 RA6D: u70.13i, u77.13i, u84.13i ;17
 RA6D: u90.13i, u29.13i, u38.13i
 RA6D: u47.13i, u56.13i, u61.13i
 RA6D: v36.13i, v45.13i, v50.13i ;18
 RA6D: v59.13i, u95.13i, v04.13i
 RA6D: v13.13i, v22.13i, v27.13i

 RA6E: #R063.2o ;06
 RA6E: u71.13i, u78.13i, u85.13i ;19
 RA6E: u91.13i, u30.13i, u39.13i
 RA6E: u48.13i, u57.13i, u62.13i
 RA6E: v37.13i, v46.13i, v51.13i ;20
 RA6E: v60.13i, u96.13i, v05.13i
 RA6E: v14.13i, v23.13i, v28.13i

 RA7A: #R017.2o ;05
 RA7A: u67.9i, u74.9i, u81.9i ;11
 RA7A: u87.9i, u26.9i, u35.9i
 RA7A: u44.9i, u53.9i, u58.9i
 RA7A: v33.9i, v42.9i, v47.9i ;12
 RA7A: v56.9i, u92.9i, v01.9i
 RA7A: v10.9i, v19.9i, v24.9i

 RA7B: #R027.2o ;05
 RA7B: u68.9i, u75.9i, u82.9i ;13
 RA7B: u88.9i, u27.9i, u36.9i
 RA7B: u45.9i, u54.9i, u59.9i
 RA7B: v34.9i, v43.9i, v48.9i ;14
 RA7B: v57.9i, u93.9i, v02.9i
 RA7B: v11.9i, v20.9i, v25.9i

 RA7C: #R037.2o ;05
 RA7C: u69.9i, u76.9i, u83.9i ;15
 RA7C: u89.9i, u28.9i, u37.9i
 RA7C: u46.9i, u55.9i, u60.9i
 RA7C: v35.9i, v44.9i, v49.9i ;16

 RA7C: v58.9i, u94.9i, v03.9i
 RA7C: v12.9i, v21.9i, v26.9i

 RA7D: #R047.2o ;06
 RA7D: u70.9i, u77.9i, u84.9i ;17
 RA7D: u90.9i, u29.9i, u38.9i
 RA7D: u47.9i, u56.9i, u61.9i
 RA7D: v36.9i, v45.9i, v50.9i ;18
 RA7D: v59.9i, u95.9i, v04.9i
 RA7D: v13.9i, v22.9i, v27.9i

 RA7E: #R057.2o ;06
 RA7E: u71.9i, u78.9i, u85.9i ;19
 RA7E: u91.9i, u30.9i, u39.9i
 RA7E: u48.9i, u57.9i, u62.9i
 RA7E: v37.9i, v46.9i, v51.9i ;20
 RA7E: v60.9i, u96.9i, v05.9i
 RA7E: v14.9i, v23.9i, v28.9i

 RA8A: #R026.2o ;05
 RA8A: u67.1i, u74.1i, u81.1i ;11
 RA8A: u87.1i, u26.1i, u35.1i
 RA8A: u44.1i, u53.1i, u58.1i
 RA8A: v33.1i, v42.1i, v47.1i ;12
 RA8A: v56.1i, u92.1i, v01.1i
 RA8A: v10.1i, v19.1i, v24.1i

 RA8B: #R036.2o ;05
 RA8B: u68.1i, u75.1i, u82.1i ;13
 RA8B: u88.1i, u27.1i, u36.1i
 RA8B: u45.1i, u54.1i, u59.1i
 RA8B: v34.1i, v43.1i, v48.1i ;14
 RA8B: v57.1i, u93.1i, v02.1i
 RA8B: v11.1i, v20.1i, v25.1i

 RA8C: #R046.2o ;05
 RA8C: u69.1i, u76.1i, u83.1i ;15
 RA8C: u89.1i, u28.1i, u37.1i
 RA8C: u46.1i, u55.1i, u60.1i
 RA8C: v35.1i, v44.1i, v49.1i ;16
 RA8C: v58.1i, u94.1i, v03.1i
 RA8C: v12.1i, v21.1i, v26.1i

 RA8D: #R056.2o ;06
 RA8D: u70.1i, u77.1i, u84.1i ;17
 RA8D: u90.1i, u29.1i, u38.1i
 RA8D: u47.1i, u56.1i, u61.1i
 RA8D: v36.1i, v45.1i, v50.1i ;18
 RA8D: v59.1i, u95.1i, v04.1i
 RA8D: v13.1i, v22.1i, v27.1i

 RA8E: #R066.2o ;06
 RA8E: u71.1i, u78.1i, u85.1i ;19
 RA8E: u91.1i, u30.1i, u39.1i
 RA8E: u48.1i, u57.1i, u62.1i
 RA8E: v37.1i, v46.1i, v51.1i ;20
 RA8E: v60.1i, u96.1i, v05.1i
 RA8E: v14.1i, v23.1i, v28.1i

XEROX	PROPRIETARY NOTE ON COVER SHEET APPLIES TO ALL SHEETS		DWG SIZE A4	DWG NO. 156E07060		SHEET REV. A
	TITLE SCHEMATIC, MEB			SHEET 38	OF	

RAMDI00:	u86.13i	;08	RAMDI07:	u82.2i	;13
RAMDI00:	v09.18o, v31.18o	;08	RAMDI07:	u83.2i	;15
RAMDI00:	u26.2i	;11	RAMDI07:	u84.2i	;17
RAMDI00:	u27.2i	;13	RAMDI07:	u85.2i	;19
RAMDI00:	u28.2i	;15			
RAMDI00:	u29.2i	;17	RAMDI08:	v18.13i	;08
RAMDI00:	u30.2i	;19	RAMDI08:	v08.18o, u99.18o	;08
			RAMDI08:	u92.2i	;12
RAMDI01:	u86.12i	;08	RAMDI08:	u93.2i	;14
RAMDI01:	v09.16o, v31.16o	;08	RAMDI08:	u94.2i	;16
RAMDI01:	u35.2i	;11	RAMDI08:	u95.2i	;18
RAMDI01:	u36.2i	;13	RAMDI08:	u96.2i	;20
RAMDI01:	u37.2i	;15			
RAMDI01:	u38.2i	;17	RAMDI09:	v18.12i	;08
RAMDI01:	u39.2i	;19	RAMDI09:	v08.16o, u99.16o	;08
			RAMDI09:	v01.2i	;12
RAMDI02:	u86.11i	;08	RAMDI09:	v02.2i	;14
RAMDI02:	v09.14o, v31.14o	;08	RAMDI09:	v03.2i	;16
RAMDI02:	u44.2i	;11	RAMDI09:	v04.2i	;18
RAMDI02:	u45.2i	;13	RAMDI09:	v05.2i	;20
RAMDI02:	u46.2i	;15			
RAMDI02:	u47.2i	;17	RAMDI10:	v18.11i	;08
RAMDI02:	u48.2i	;19	RAMDI10:	v08.14o, u99.14o	;08
			RAMDI10:	v10.2i	;12
RAMDI03:	u86.10i	;08	RAMDI10:	v11.2i	;14
RAMDI03:	v09.12o, v31.12o	;08	RAMDI10:	v12.2i	;16
RAMDI03:	u53.2i	;11	RAMDI10:	v13.2i	;18
RAMDI03:	u54.2i	;13	RAMDI10:	v14.2i	;20
RAMDI03:	u55.2i	;15			
RAMDI03:	u56.2i	;17	RAMDI11:	v18.10i	;08
RAMDI03:	u57.2i	;19	RAMDI11:	v08.12o, u99.12o	;08
			RAMDI11:	v19.2i	;12
RAMDI04:	u86.9i	;08	RAMDI11:	v20.2i	;14
RAMDI04:	v09.9o, v31.9o	;08	RAMDI11:	v21.2i	;16
RAMDI04:	u58.2i	;11	RAMDI11:	v22.2i	;18
RAMDI04:	u59.2i	;13	RAMDI11:	v23.2i	;20
RAMDI04:	u60.2i	;15			
RAMDI04:	u61.2i	;17	RAMDI12:	v18.9i	;08
RAMDI04:	u62.2i	;19	RAMDI12:	v08.9o, u99.9o	;08
			RAMDI12:	v24.2i	;12
RAMDI05:	u86.8i	;08	RAMDI12:	v25.2i	;14
RAMDI05:	v09.7o, v31.7o	;08	RAMDI12:	v26.2i	;16
RAMDI05:	u67.2i	;11	RAMDI12:	v27.2i	;18
RAMDI05:	u68.2i	;13	RAMDI12:	v28.2i	;20
RAMDI05:	u69.2i	;15			
RAMDI05:	u70.2i	;17	RAMDI13:	v18.8i	;08
RAMDI05:	u71.2i	;19	RAMDI13:	v08.7o, u99.7o	;08
			RAMDI13:	v33.2i	;12
RAMDI06:	u86.4i	;08	RAMDI13:	v34.2i	;14
RAMDI06:	v09.5o, v31.5o	;08	RAMDI13:	v35.2i	;16
RAMDI06:	u74.2i	;11	RAMDI13:	v36.2i	;18
RAMDI06:	u75.2i	;13	RAMDI13:	v37.2i	;20
RAMDI06:	u76.2i	;15			
RAMDI06:	u77.2i	;17	RAMDI14:	v18.4i	;08
RAMDI06:	u78.2i	;19	RAMDI14:	v08.5o, u99.5o	;08
			RAMDI14:	v42.2i	;12
RAMDI07:	u86.2i	;08	RAMDI14:	v43.2i	;14
RAMDI07:	v09.3o, v31.3o	;08	RAMDI14:	v44.2i	;16
RAMDI07:	u81.2i	;11	RAMDI14:	v45.2i	;18

XEROX	PROPRIETARY NOTE ON COVER SHEET APPLIES TO ALL SHEETS		DWG SIZE A4	DWG NO. 156E07060	SHEET REV. A
	TITLE SCHEMATIC, MEB			SHEET 39 OF	

RAMDI14: v46.2i ;20
RAMDI15: v18.2i ;08
RAMDI15: v08.3o, u99.3o ;08
RAMDI15: v47.2i ;12
RAMDI15: v48.2i ;14
RAMDI15: v49.2i ;16
RAMDI15: v50.2i ;18
RAMDI15: v51.2i ;20

RASOEN': #R001.2o ;03
RASOEN': u67.4i, u74.4i, u81.4i ;11
RASOEN': u87.4i, u26.4i, u35.4i
RASOEN': u44.4i, u53.4i, u58.4i
RASOEN': v33.4i, v42.4i, v47.4i ;12
RASOEN': v56.4i, u92.4i, v01.4i
RASOEN': v10.4i, v19.4i, v24.4i

RASOT: u18.5i, u18.1i ;03
RASOT: u80.19i ;10

RASOTB: u05.13i, u18.3o, u65.1i ;03

RAS10: u65.12o, u05.2i ;03

RAS1EN': #R004.2o ;03
RAS1EN': u68.4i, u75.4i, u82.4i ;13
RAS1EN': u88.4i, u27.4i, u36.4i
RAS1EN': u45.4i, u54.4i, u59.4i
RAS1EN': v34.4i, v43.4i, v48.4i ;14
RAS1EN': v57.4i, u93.4i, v02.4i
RAS1EN': v11.4i, v20.4i, v25.4i

RAS20: u65.4o ;03
RAS20: v68.11i ;07

RAS2EN': #R007.2o ;03
RAS2EN': u69.4i, u76.4i, u83.4i ;15
RAS2EN': u89.4i, u28.4i, u37.4i
RAS2EN': u46.4i, u55.4i, u60.4i
RAS2EN': v35.4i, v44.4i, v49.4i ;16
RAS2EN': v58.4i, u94.4i, v03.4i
RAS2EN': v12.4i, v21.4i, v26.4i

RAS3EN': #R010.2o ;03
RAS3EN': u70.4i, u77.4i, u84.4i ;17
RAS3EN': u90.4i, u29.4i, u38.4i
RAS3EN': u47.4i, u56.4i, u61.4i
RAS3EN': v36.4i, v45.4i, v50.4i ;18
RAS3EN': v59.4i, u95.4i, v04.4i
RAS3EN': v13.4i, v22.4i, v27.4i

RAS4EN': #R013.2o ;03
RAS4EN': u71.4i, u78.4i, u85.4i ;19
RAS4EN': u91.4i, u30.4i, u39.4i
RAS4EN': u48.4i, u57.4i, u62.4i
RAS4EN': v37.4i, v46.4i, v51.4i ;20
RAS4EN': v60.4i, u96.4i, v05.4i
RAS4EN': v14.4i, v23.4i, v28.4i

RAS50: u65.8o, u05.3i ;03
RAS50: v54.2i, v32.2i, v55.2i ;04
RAS50: v41.2i, v40.2i
RAS50: u42.1i ;07

RASD: u05.4o, u17.10i, u16.10i ;03
RASD: u15.10i, u14.10i, u13.10i

RAWVCC: J1.090, J1.112, J1.113 ;21
RAWVCC: J1.114, J1.115, J1.116
RAWVCC: J1.117, J1.118, J1.119
RAWVCC: J1.120, J1.030
RAWVCC: #F001.1i, #F001.3i ;22

RDPDEN: u34.5i, u42.5o, u34.2i ;07

REF': u72.9i, u10.5i, u20.12o ;02
REF': u22.2i

REFL': u19.8o, u08.5i, u08.13i ;03
REFL': u06.11i, u06.5i, u06.13i

REFL: u10.6o ;02
REFL: u05.1i ;03
REFL: u19.9i ;03

REFS1': u22.5o, u72.8i ;02

REFS1: u72.10o, u22.12i ;02

REFS2: u22.9o, u24.12i ;02
REFS2: u80.52o, u80.51o ;10

REFS3': u20.5i ;01
REFS3': u24.8o, u10.4i ;02

SEL0: u06.12o, u13.9i ;03

SEL1: u06.6o, u14.9i ;03

SEL2: u06.8o, u15.9i ;03

SEL3: u08.12o, u16.9i ;03

SEL4: u08.6o, u17.9i ;03

SELA0': u02.12o, u06.1i ;03

SELA1': u02.11o, u06.3i ;03

SELA2': u02.10o, u06.9i ;03

SELA3': u02.9o, u08.1i ;03

SELA4': u02.7o, u08.3i ;03

SELB0': u07.12o, u06.2i ;03

XEROX	PROPRIETARY NOTE ON COVER SHEET APPLIES TO ALL SHEETS		DWG SIZE A4	DWG NO. 156E07060		SHEET REV. A
	TITLE SCHEMATIC, MEB			SHEET 40 OF		

SELB1': u07.11o, u06.4i ;03

SELB2': u07.10o, u06.10i ;03

SELB3': u07.9o, u08.2i ;03

SELB4': u07.7o, u08.4i ;03

TEST1': v53.1i ;01

TEST1': v29.1i, u97.1i ;01

TEST1': v30.2o ;10

TEST1: #TP01.1i, #R067.2o ;10

TEST1: v30.1i ;10

TEST2': v62.1i, v15.1i, v17.1i ;04

TEST2': v39.1i

TEST2': v30.4o ;10

TEST2: v38.1i ;02

TEST2: #TP03.1i, #R068.2o ;10

TEST2: v30.3i ;10

TEST3: #TP05.1i, #R016.2o ;10

TEST3: u80.7i ;10

VEE: J1.059, J1.060, J1.058 ;21

WRTPARITY': v64.12o ;02

WRTPARITY': u24.3i ;08

WTHB0': v69.3o, #R025.1i ;05

WTHBOEN': #R025.2o ;05

WTHBOEN': v33.3i, v42.3i, v47.3i ;12

WTHBOEN': v56.3i, u92.3i, v01.3i

WTHBOEN': v10.3i, v19.3i, v24.3i

WTHB1': v70.5o, #R035.1i ;05

WTHB1EN': #R035.2o ;05

WTHB1EN': v34.3i, v43.3i, v48.3i ;14

WTHB1EN': v57.3i, u93.3i, v02.3i

WTHB1EN': v11.3i, v20.3i, v25.3i

WTHB2': v71.7o, #R045.1i ;05

WTHB2EN': #R045.2o ;05

WTHB2EN': v35.3i, v44.3i, v49.3i ;16

WTHB2EN': v58.3i, u94.3i, v03.3i

WTHB2EN': v12.3i, v21.3i, v26.3i

WTHB3': v77.5o, #R055.1i ;06

WTHB3EN': #R055.2o ;06

WTHB3EN': v36.3i, v45.3i, v50.3i ;18

WTHB3EN': v59.3i, u95.3i, v04.3i

WTHB3EN': v13.3i, v22.3i, v27.3i

WTHB4': v72.3o, #R065.1i ;06

WTHB4EN': #R065.2o ;06

WTHB4EN': v37.3i, v46.3i, v51.3i ;20

WTHB4EN': v60.3i, u96.3i, v05.3i

WTHB4EN': v14.3i, v23.3i, v28.3i

WTHB: v70.16i, v71.13i, v69.17i ;05

WTHB: v72.17i, v77.15i ;06

WTHB: u80.64o ;10

WTLB0': u13.11o, #R002.1i ;03

WTLBOEN': #R002.2o ;03

WTLBOEN': u67.3i, u74.3i, u81.3i ;11

WTLBOEN': u87.3i, u26.3i, u35.3i

WTLBOEN': u44.3i, u53.3i, u58.3i

WTLB1': u14.11o, #R005.1i ;03

WTLB1EN': #R005.2o ;03

WTLB1EN': u68.3i, u75.3i, u82.3i ;13

WTLB1EN': u88.3i, u27.3i, u36.3i

WTLB1EN': u45.3i, u54.3i, u59.3i

WTLB2': u15.11o, #R008.1i ;03

WTLB2EN': #R008.2o ;03

WTLB2EN': u69.3i, u76.3i, u83.3i ;15

WTLB2EN': u89.3i, u28.3i, u37.3i

WTLB2EN': u46.3i, u55.3i, u60.3i

WTLB3': u16.11o, #R011.1i ;03

WTLB3EN': #R011.2o ;03

WTLB3EN': u70.3i, u77.3i, u84.3i ;17

WTLB3EN': u90.3i, u29.3i, u38.3i

WTLB3EN': u47.3i, u56.3i, u61.3i

WTLB4': u17.11o, #R014.1i ;03

WTLB4EN': #R014.2o ;03

WTLB4EN': u71.3i, u78.3i, u85.3i ;19

WTLB4EN': u91.3i, u30.3i, u39.3i

WTLB4EN': u48.3i, u57.3i, u62.3i

WTLB: v06.11i ;03

WTLB: u80.63o ;10

WTLBB: u16.13i, u15.13i, u14.13i ;03

WTLBB: u13.13i, v06.9o, u17.13i

XEROX	PROPRIETARY NOTE ON COVER SHEET APPLIES TO ALL SHEETS	DWG SIZE A4	DWG NO. 156E07060	SHEET REV. A
	TITLE SCHEMATIC, MEB		SHEET 41 OF	