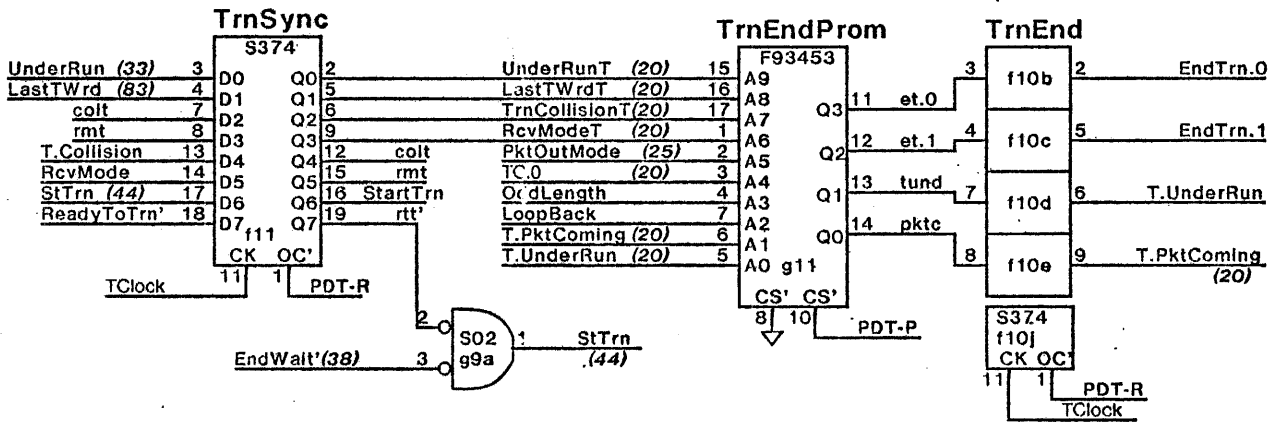


States	Outputs
0 Off	
1 unused	RdLastWrd
2 Skip (wait for no Carrier)	
3 Idle (wait for PktInMode)	
4 Post Status	RcvMode InAttn
5 ReadLastWord	RcvMode InAttn RdLastWrd
6 Purge	RcvMode Purge
7 PktInMode	RcvMode

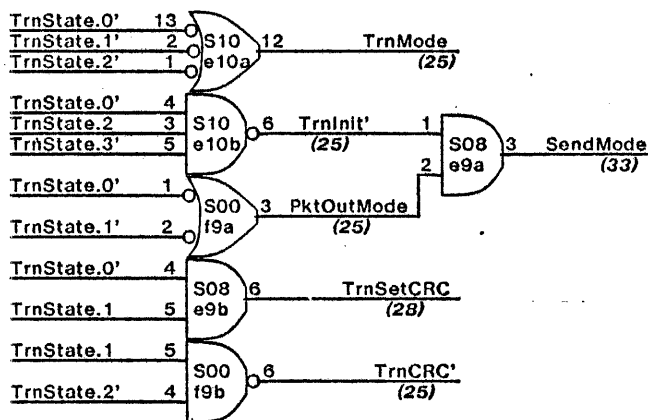
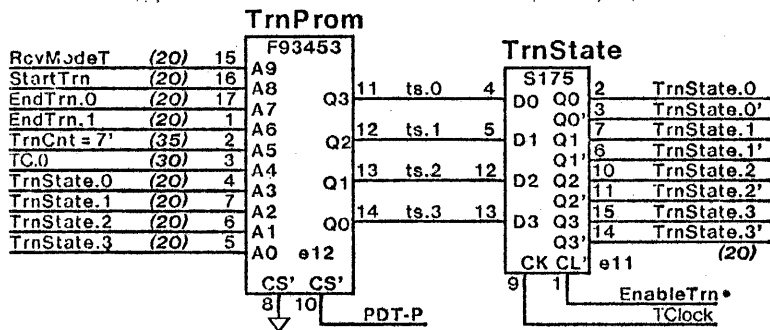
Loopback: skip & Idle until PktOutMode true  
 ~Loopback: remain off if PktOutMode true  
 Remain in PktInMode if (PktInMode OR ~Empty)



**EndTrn**

- 0 EndWithCRC = ~Loopback AND LastByte
- 1 EndWithoutCRC = (Loopback AND LastByte) OR RcvMode
- 2 EndWithJam = T.UnderRun OR TrnCollision
- 3 unused

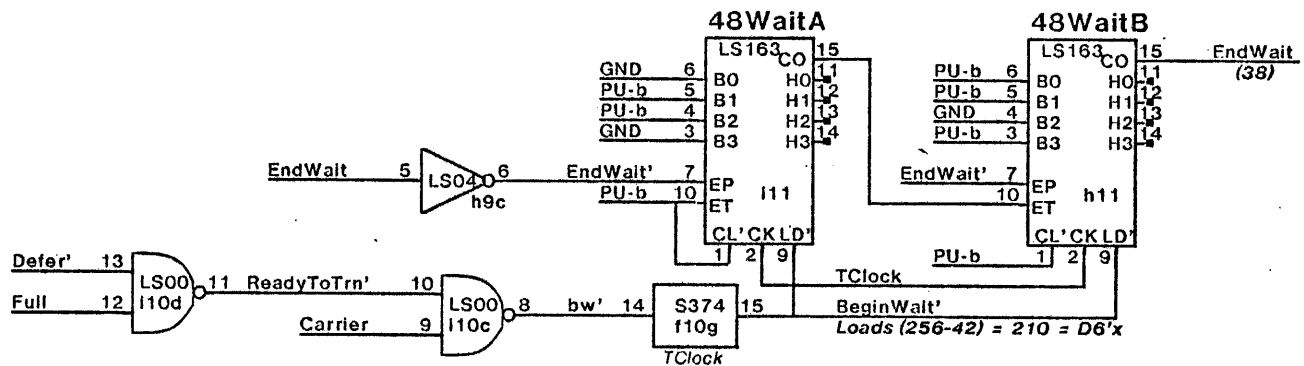
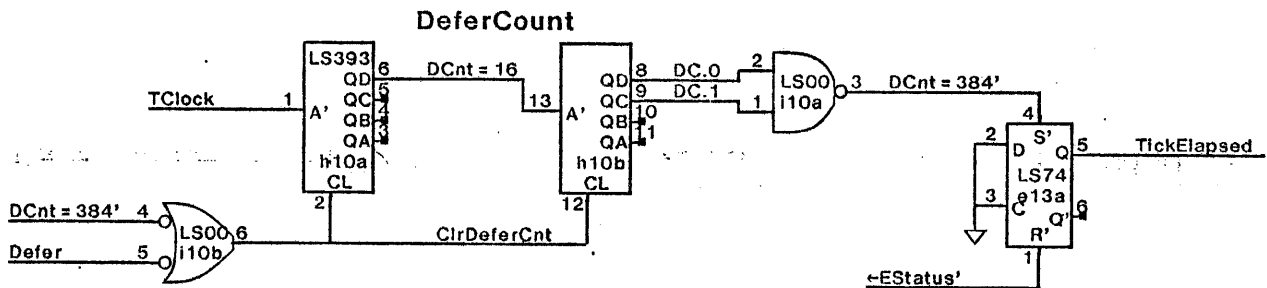
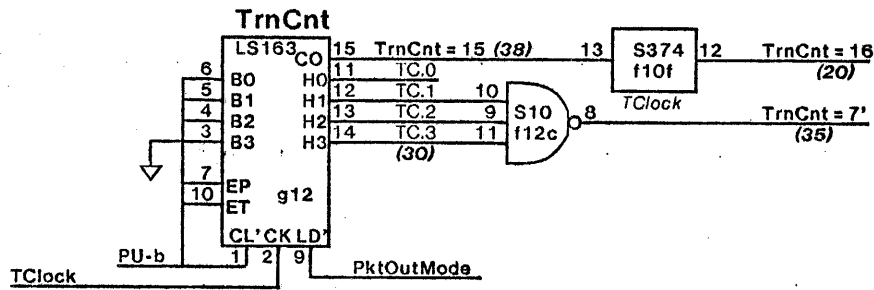
LastByte = LastTWrd AND (TC.0 XOR OddLength)  
 T.UnderRun = T.UnderRun OR UnderRun  
 T.PktComing = T.PktComing OR RcvMode

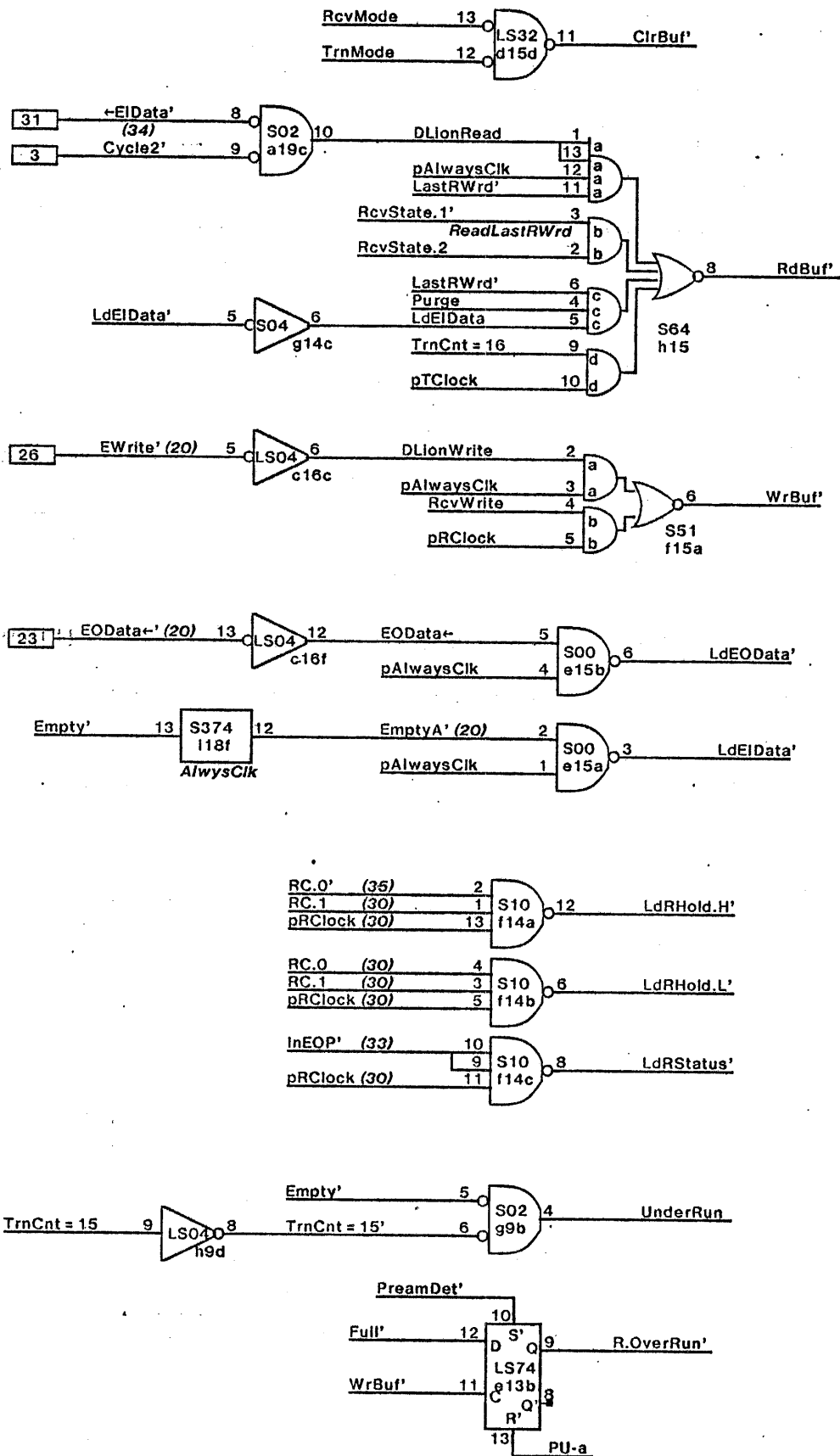


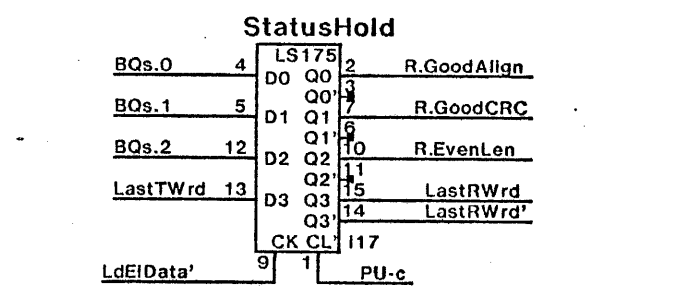
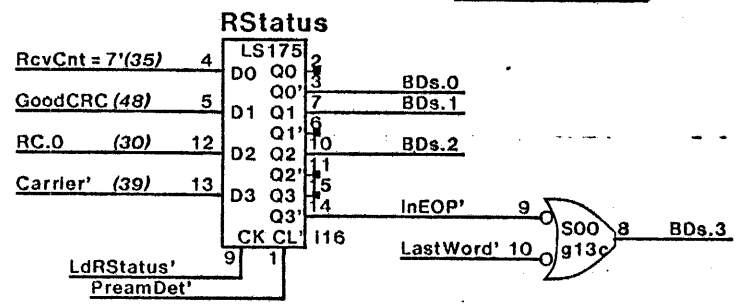
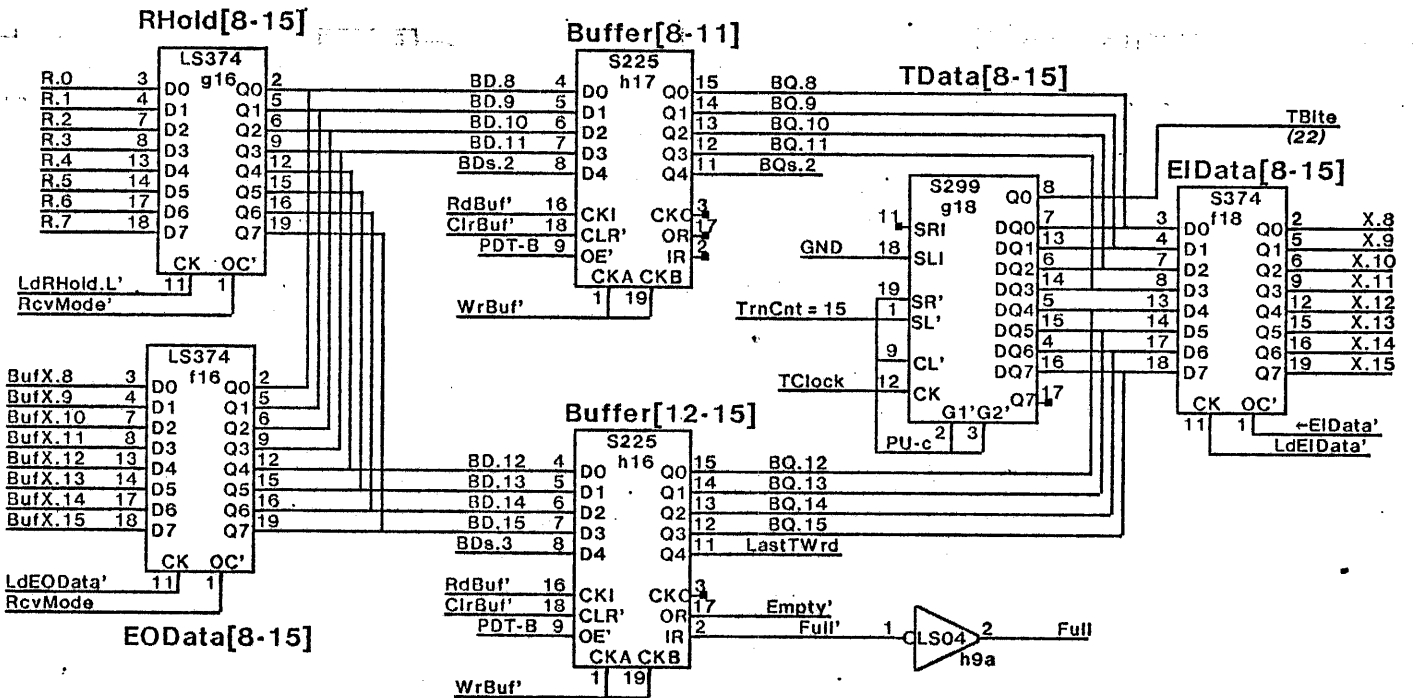
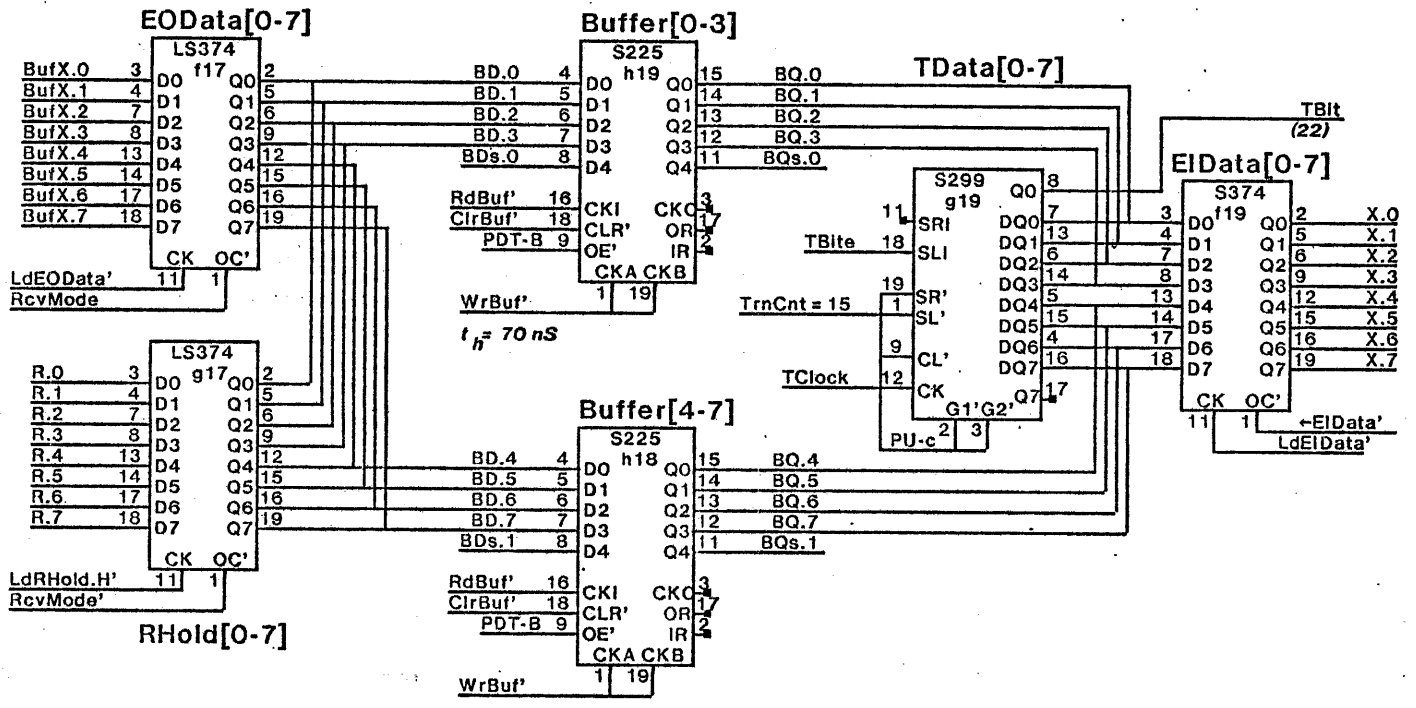
**States**

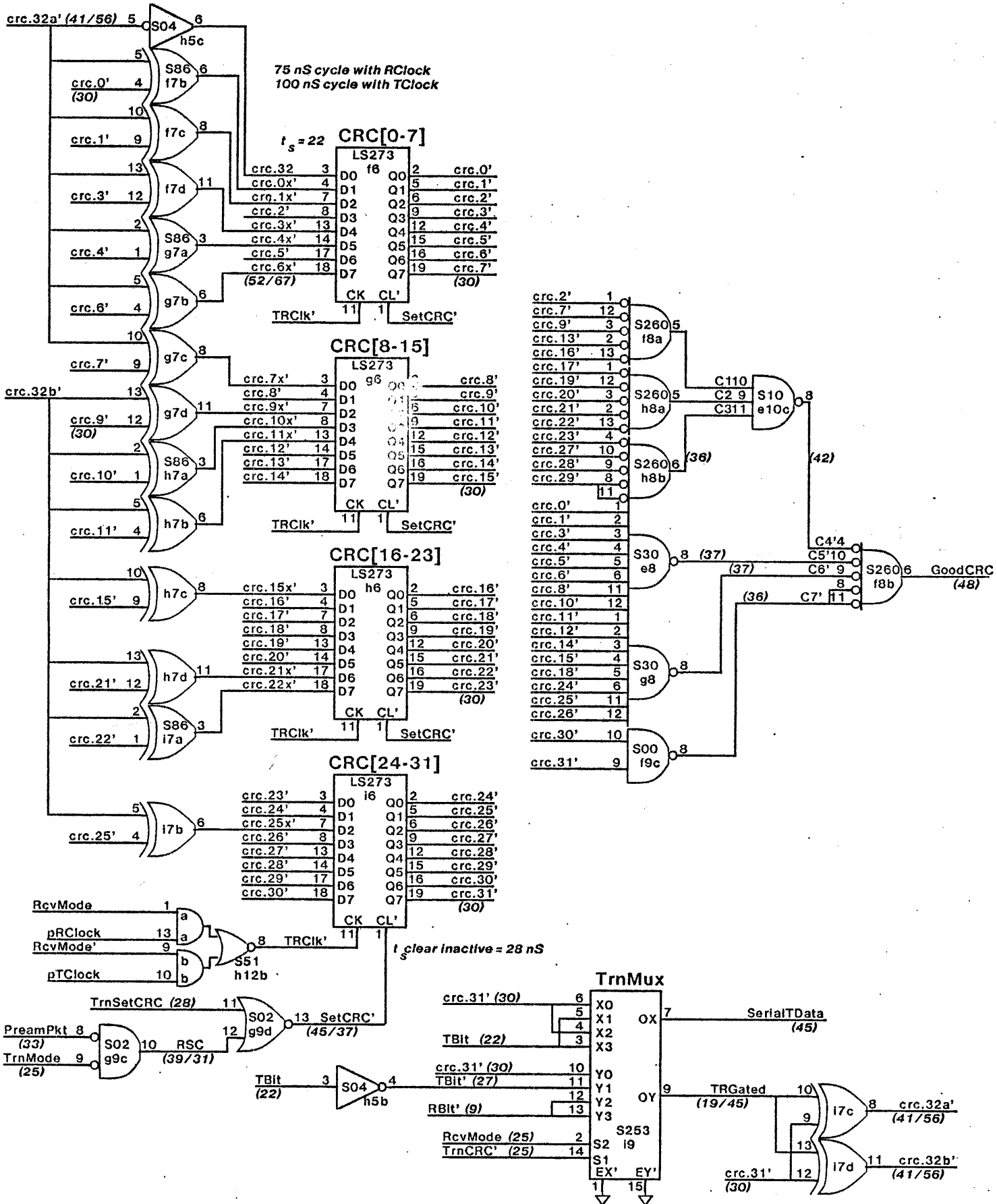
**Outputs**

- 0 Off
- 1 WaitForService
- 2 WaitToTran TrnMode
- 3 PostOutStatusTrnMode
- 4 Pream0 (word) TrnMode PktOutMode Send SetCRC
- 5 Pream1 (word) TrnMode PktOutMode Send SetCRC
- 6 TrnInitialize TrnMode PktOutMode SetCRC TrnInit
- 7 Jam2 (word) TrnMode PktOutMode Send SetCRC OutAttn
- 8 CRC0 (byte) TrnMode PktOutMode Send TrnCRC
- 9 CRC1 (byte) TrnMode PktOutMode Send TrnCRC
- 10 Send TrnMode PktOutMode Send
- 11 Jam1 (word) TrnMode PktOutMode Send OutAttn
- 12 CRC3 (byte) TrnMode PktOutMode Send TrnCRC
- 13 CRC2 (byte) TrnMode PktOutMode Send TrnCRC
- 14 Jam0 (Kword) TrnMode PktOutMode Send
- 15 Jam3 (1 bit) TrnMode PktOutMode Send OutAttn

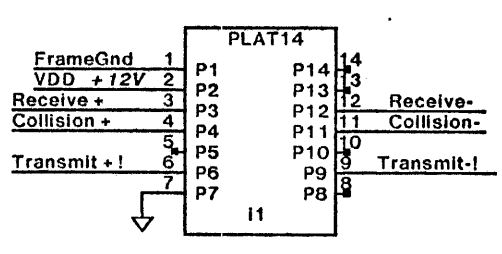
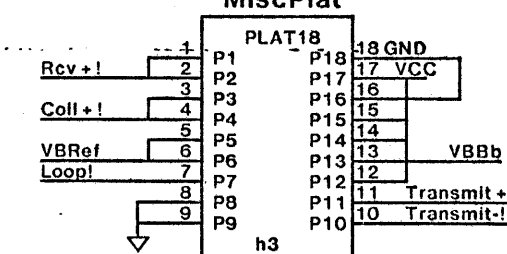
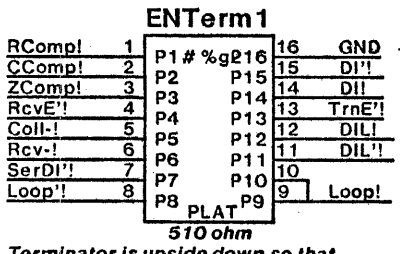
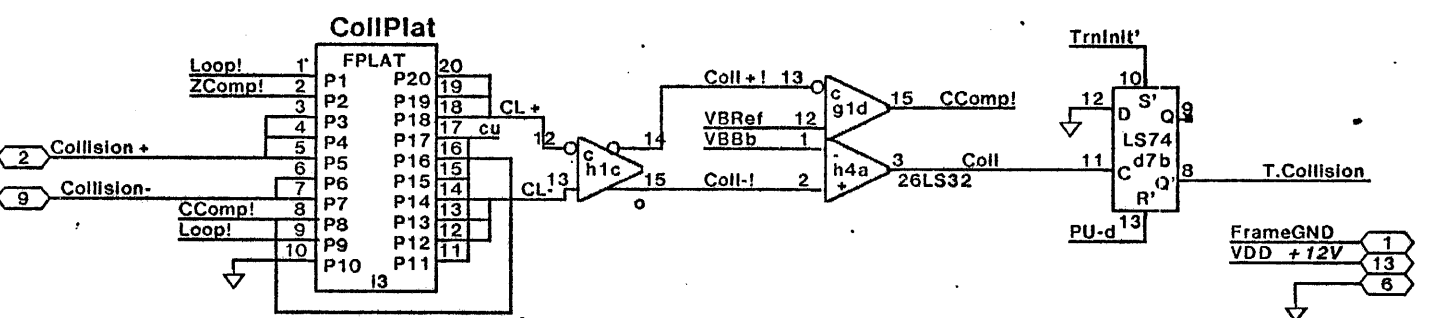
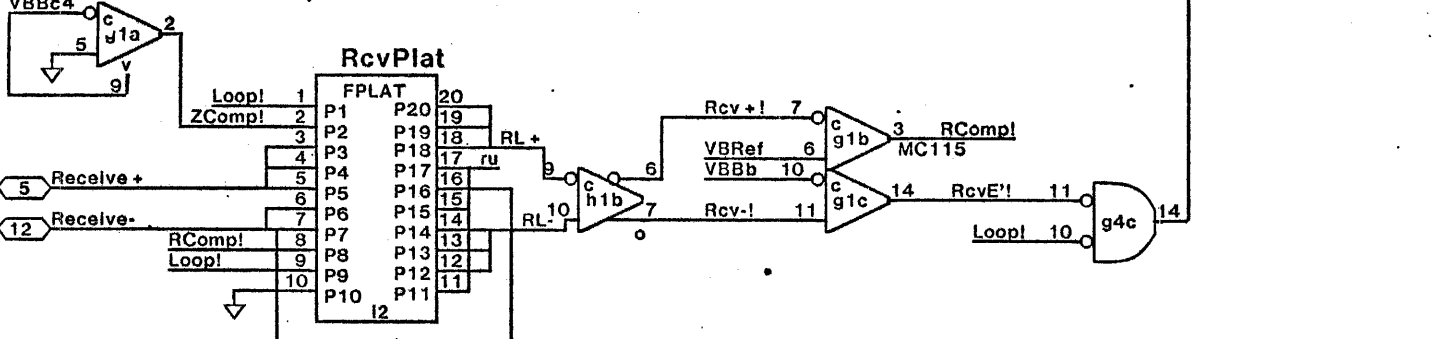
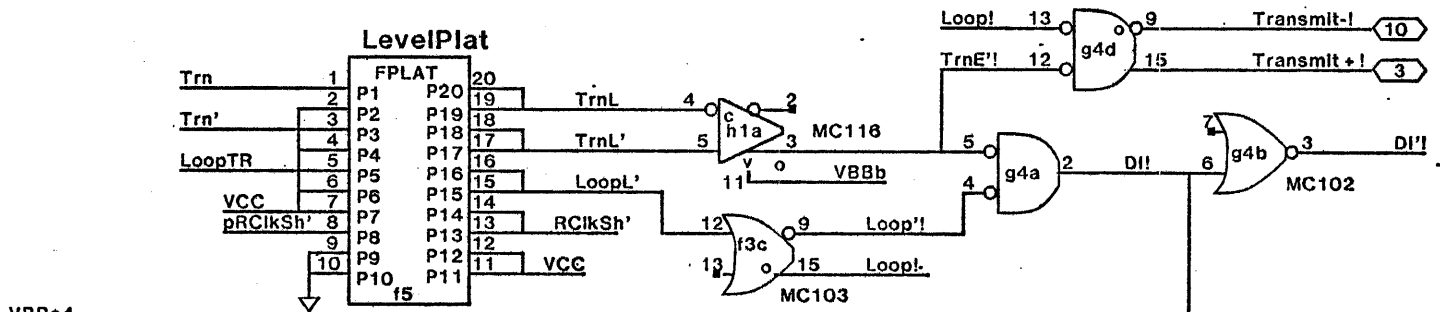
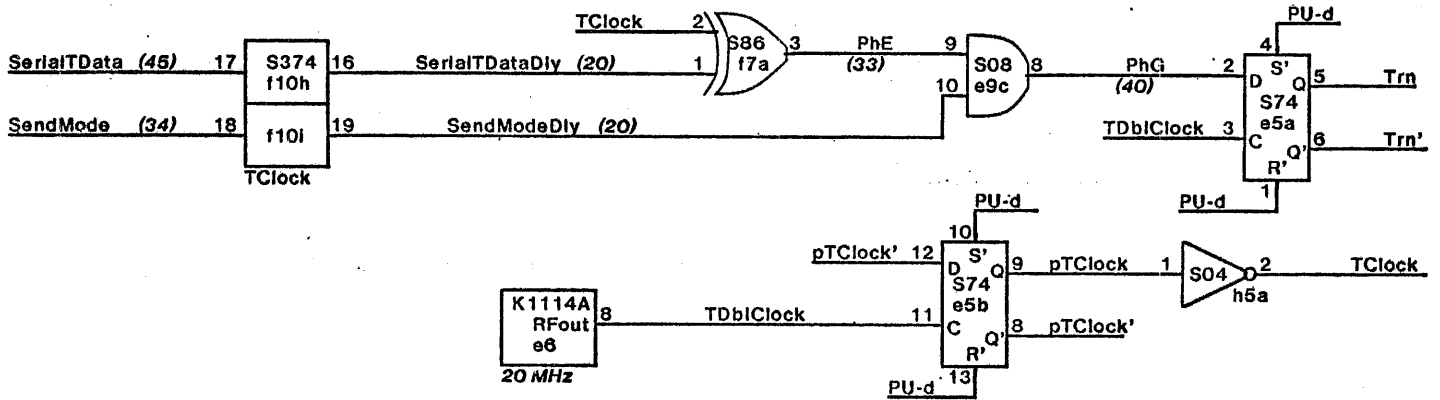






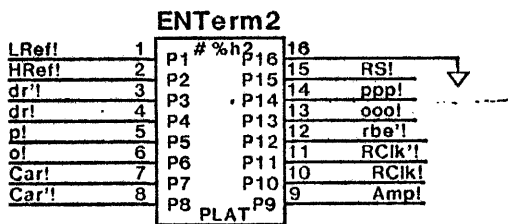
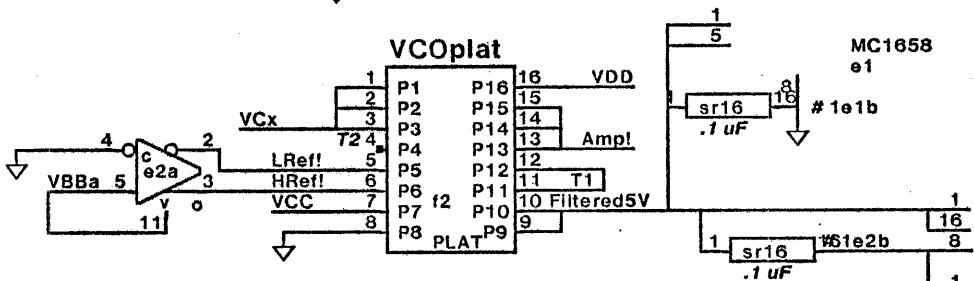
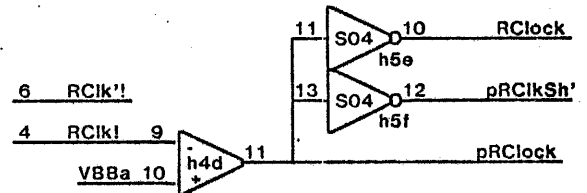
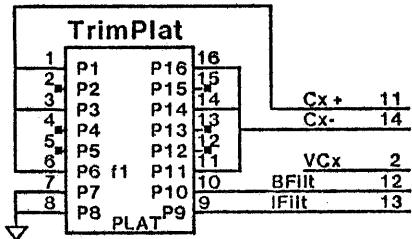
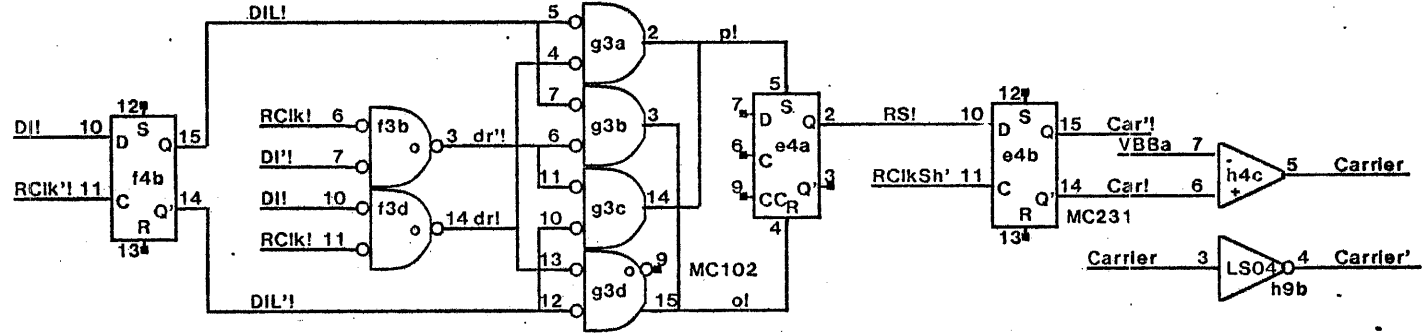
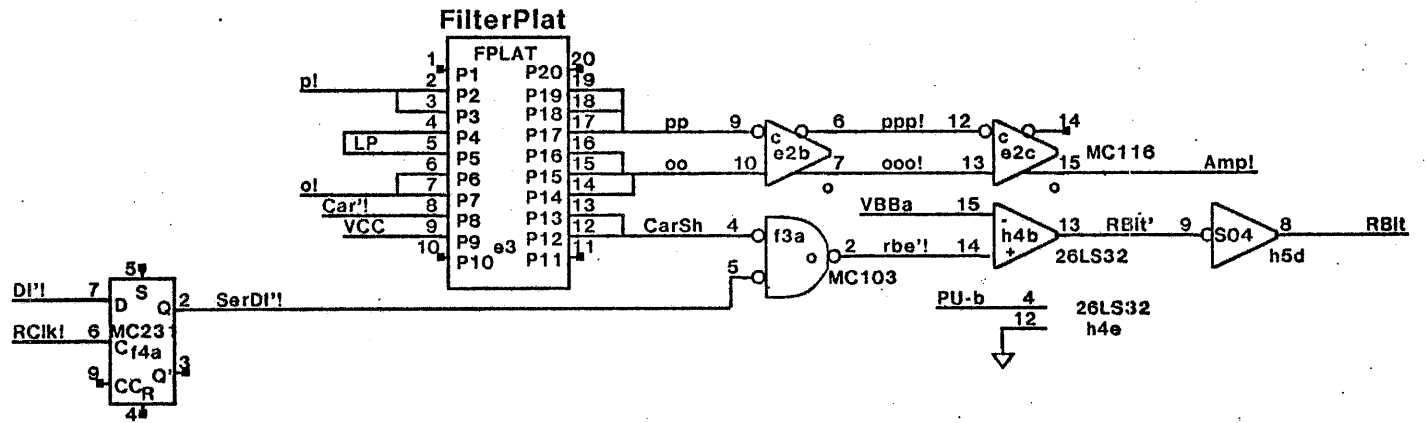




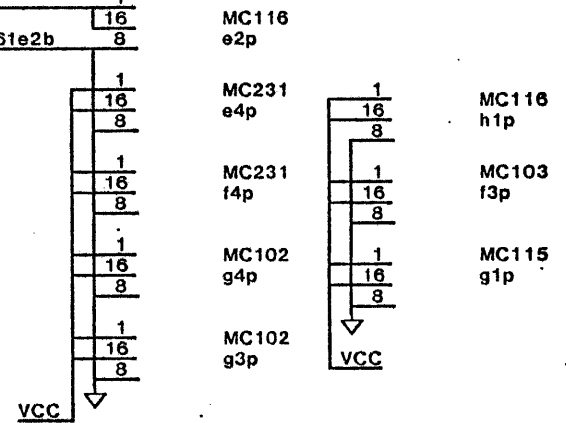


Terminator is upside down so that there is a direct ground connection.

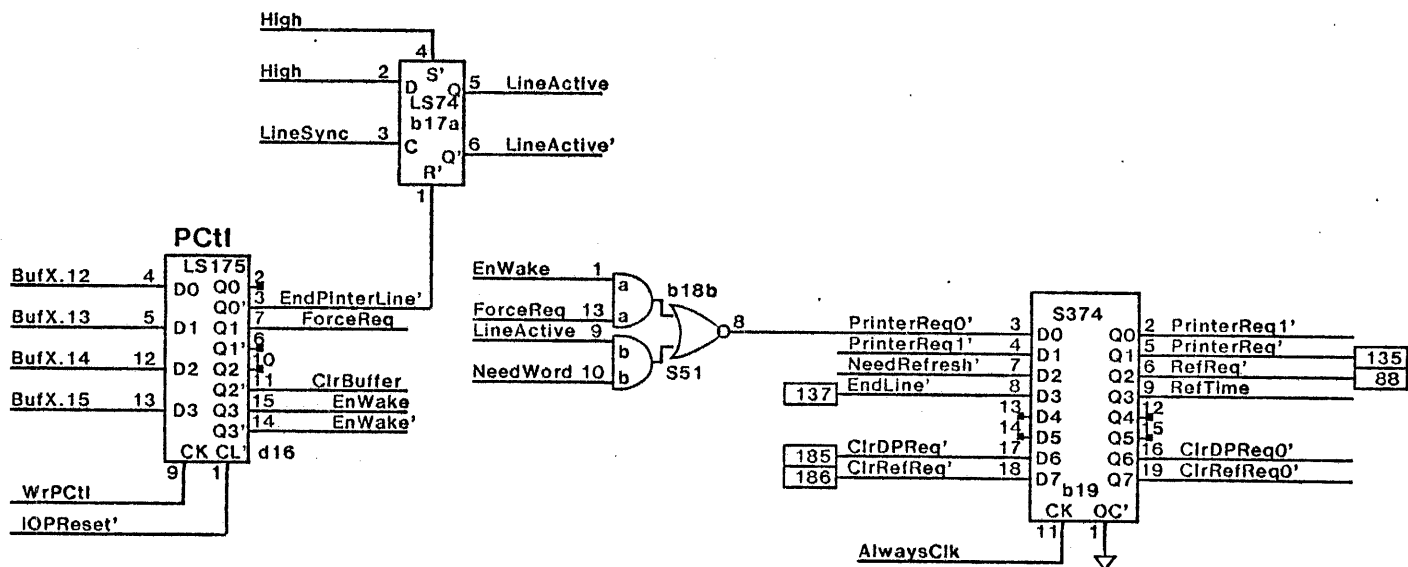
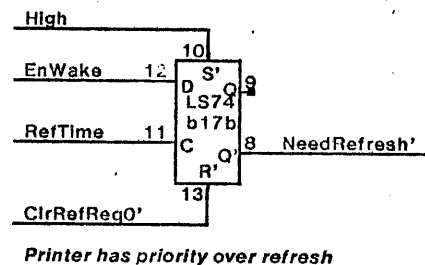
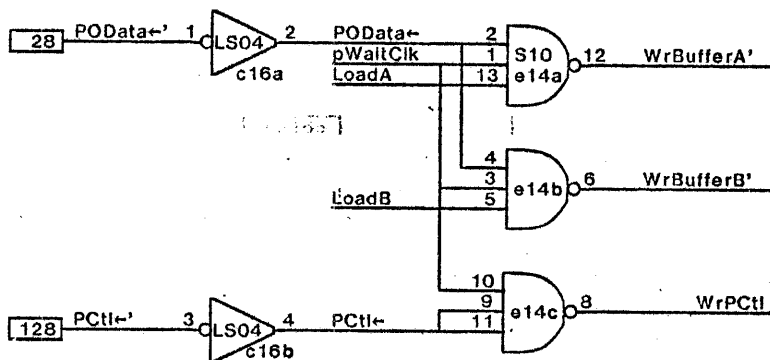
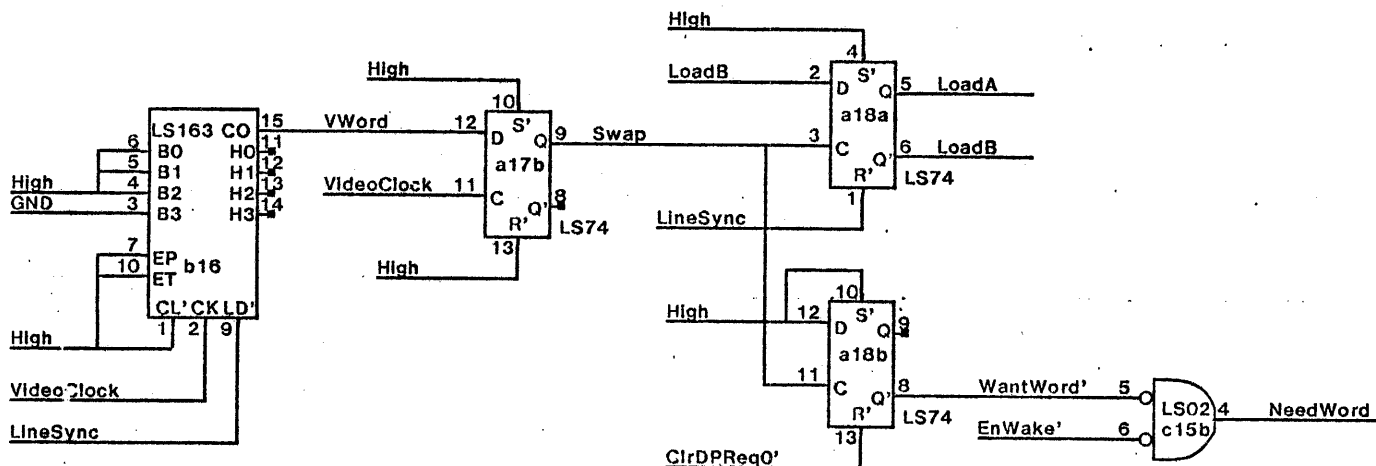
XEROX SDD	Project Dandelion	Phase Encoder and Cable Interface	File sOption09.sil	Designer Crane, Garner	Rev C	Date 7/30/80	Page 09
--------------	----------------------	--------------------------------------	-----------------------	---------------------------	----------	-----------------	------------

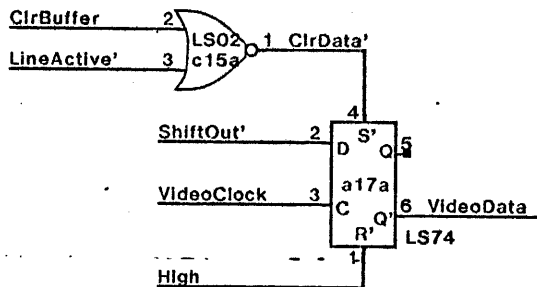
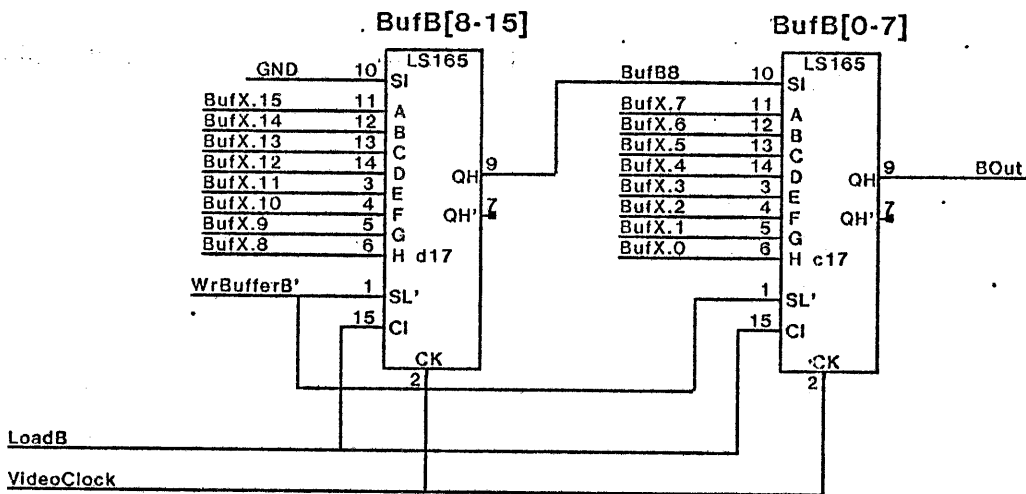
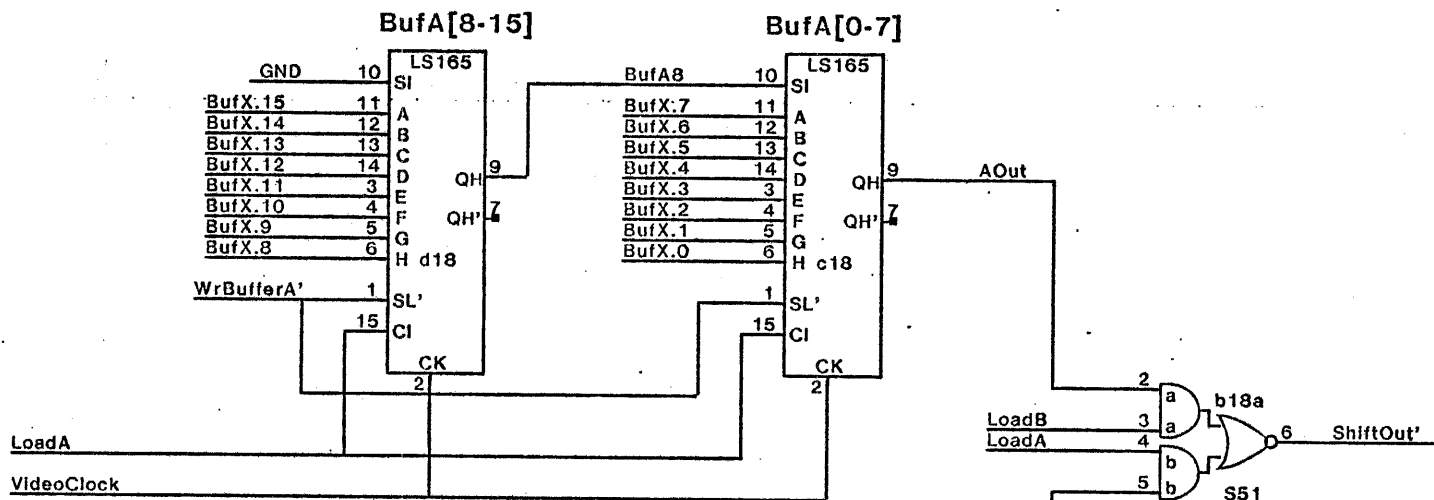


510 ohm  
 Terminator is rotated so that  
 there is a direct ground connection.



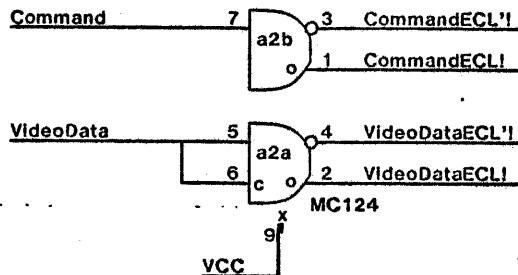
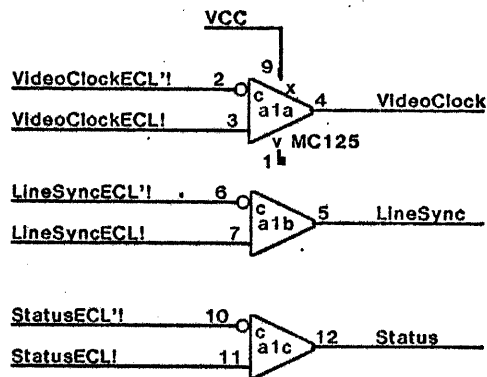
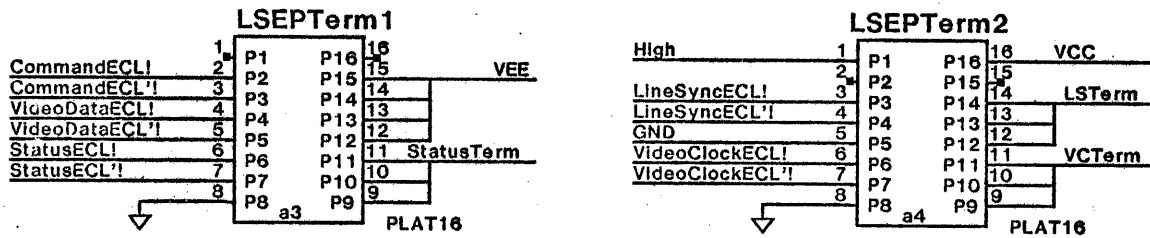
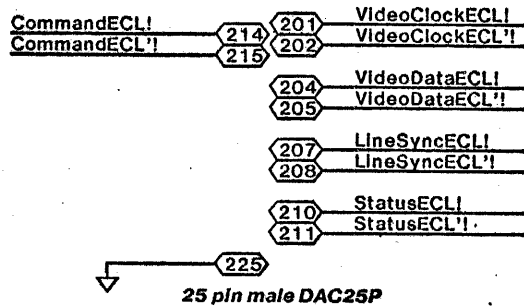
XEROX SDD	Project Dandelion	PLL Receiver	File sOption10.sil	Designer Crane, Garner	Rev C	Date 7/30/80	Page 10
--------------	----------------------	--------------	-----------------------	---------------------------	----------	-----------------	------------

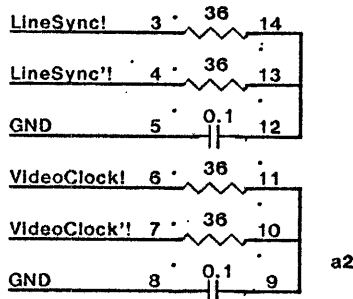
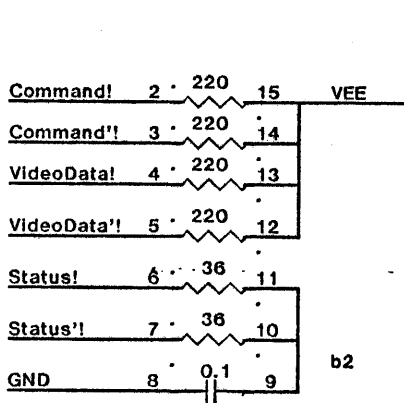




Reclocking the data avoids  
glitches at word boundaries

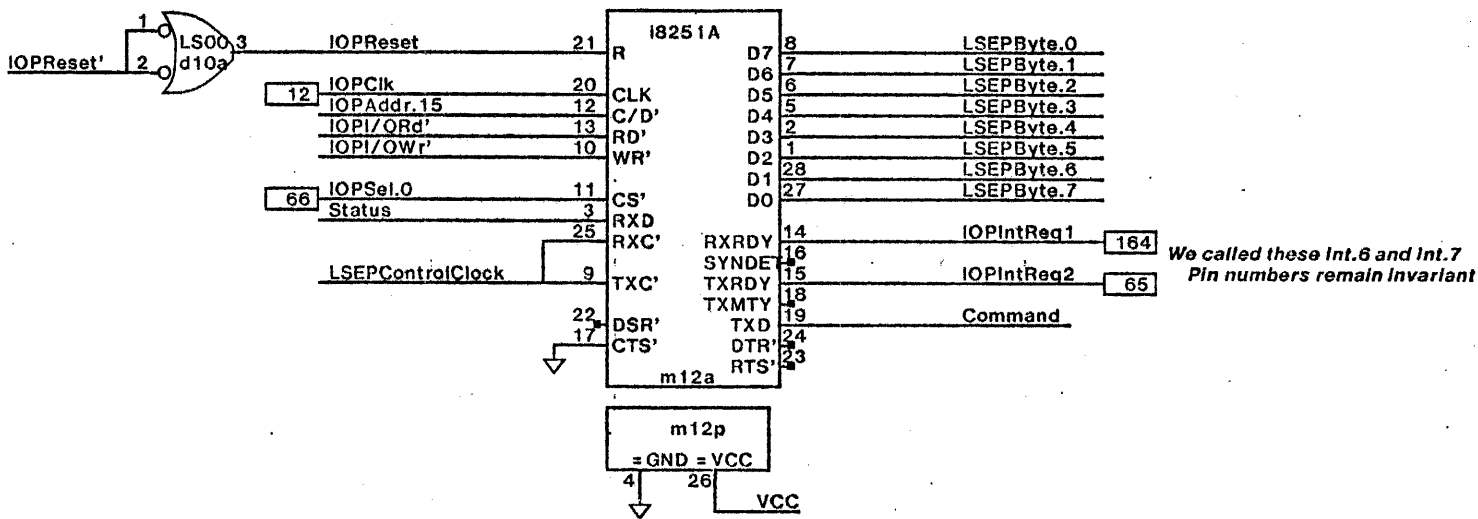
XEROX	Project	File	Designer	Rev	Date	Page
SDD	LSEP	LSEP Shifters	Jarvis	C	7/30/80	21
		Option21.sil				



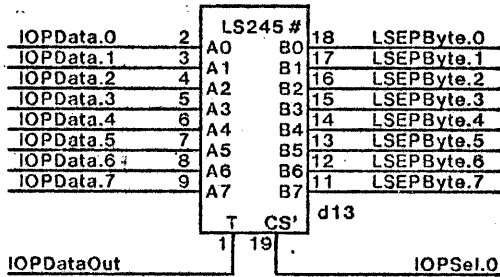


XEROX	Project	Reference	File	Designer	Rev	Date	Page
SDD	Dandelion	LSEP Terminators	pOption22.sil	Jarvis	C	7/8/80	22

### LSEP UART



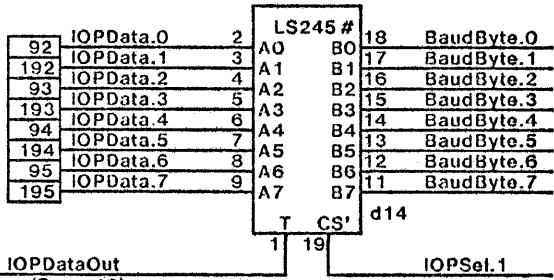
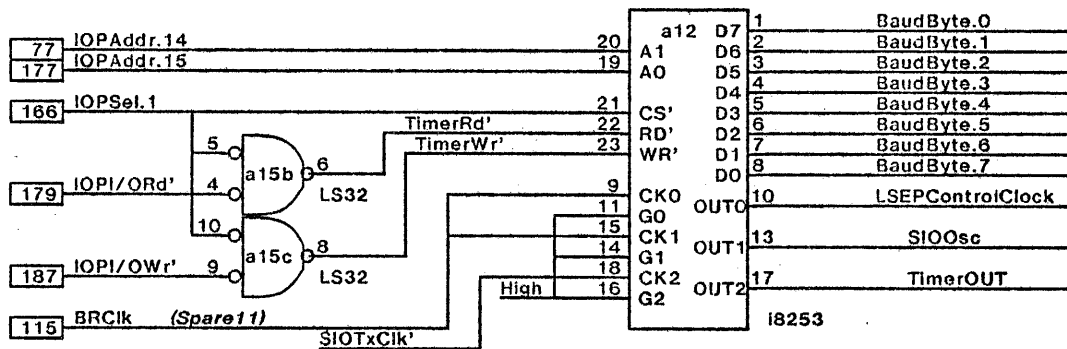
We called these Int.6 and Int.7 Pin numbers remain Invariant



T=0 => A-B  
T=1 => B-A

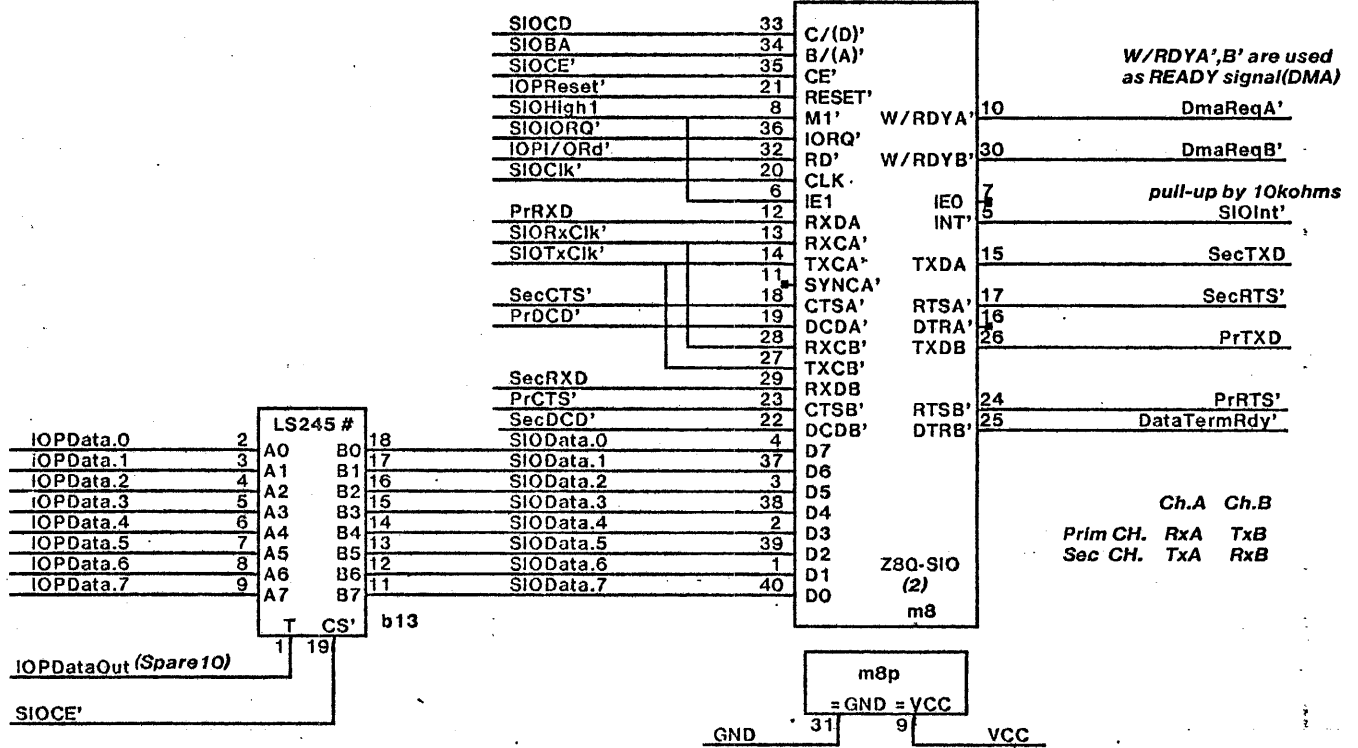
Note: Due to a design shortcoming the RD' and WR' lines of the 8253-5 must be externally qualified.

### Baud-rate generator



T=0 => A-B  
T=1 => B-A

# Serial I/O Controller

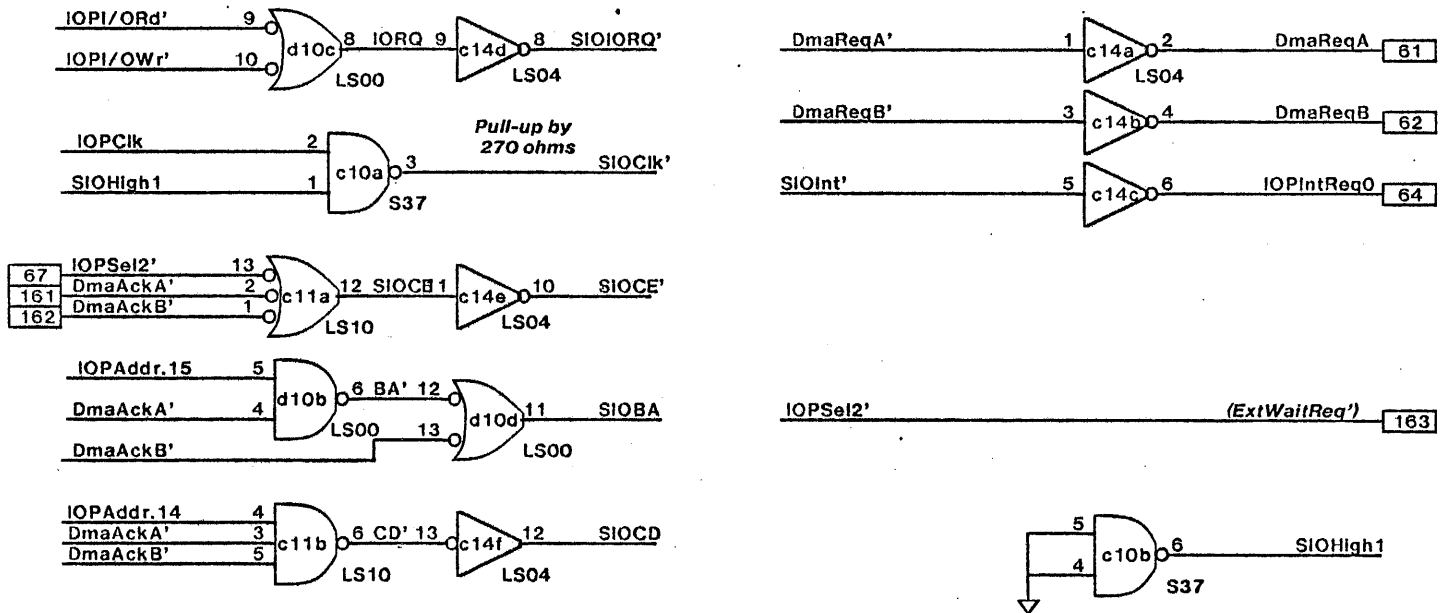


From 8085

To Z80-SIO

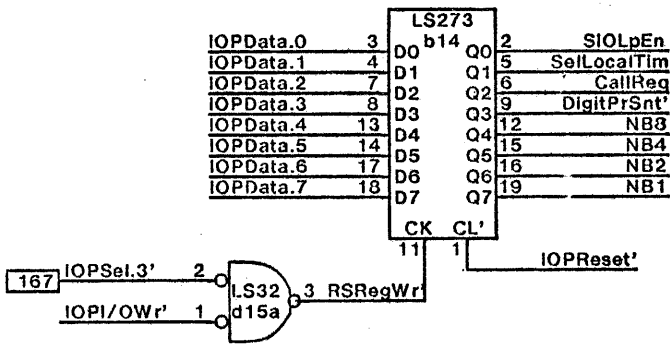
From Z80-SIO

To 8085

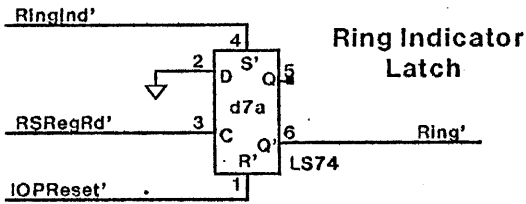
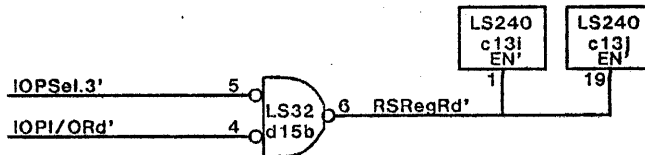
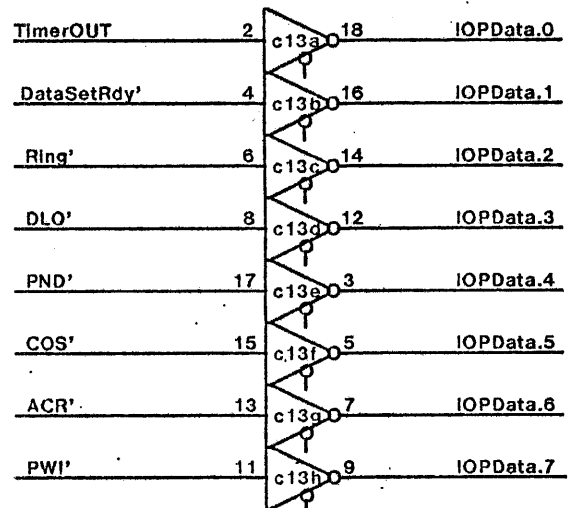




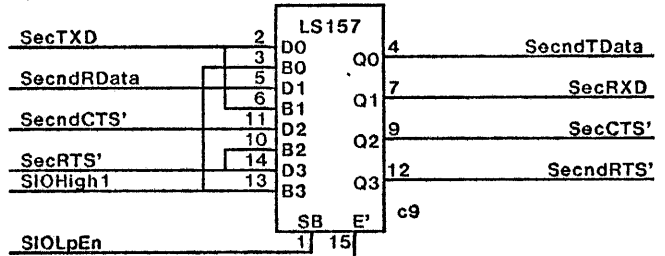
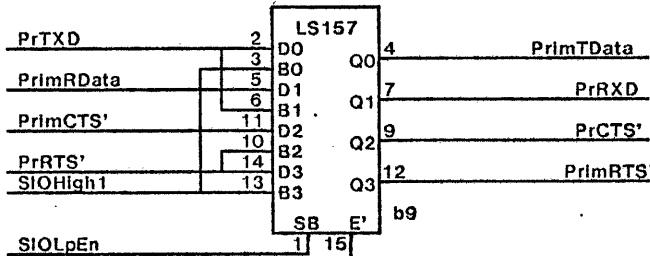
### RS366 Control Register



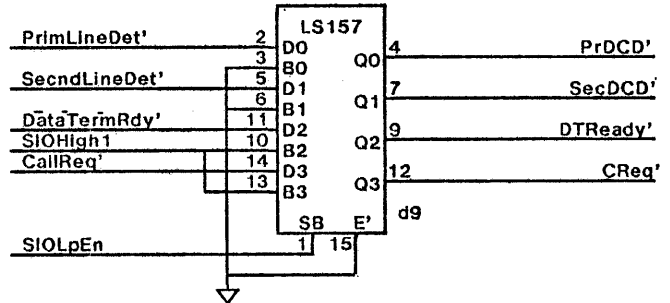
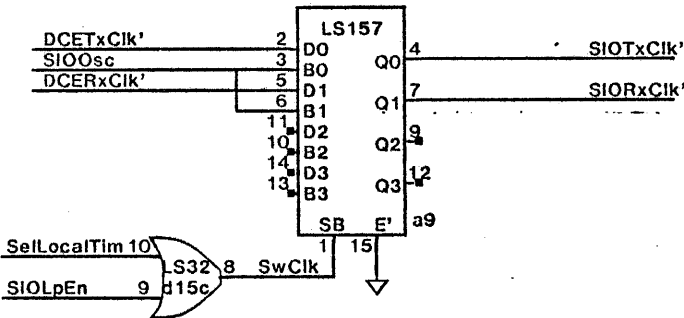
### RS366 Status



### Diag Loop-Back MPX

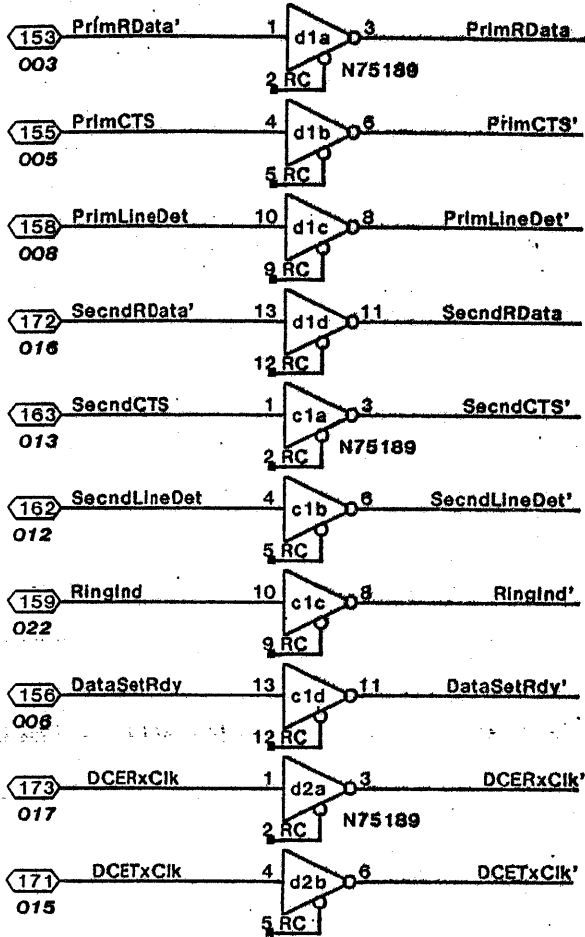


### Clock Switch

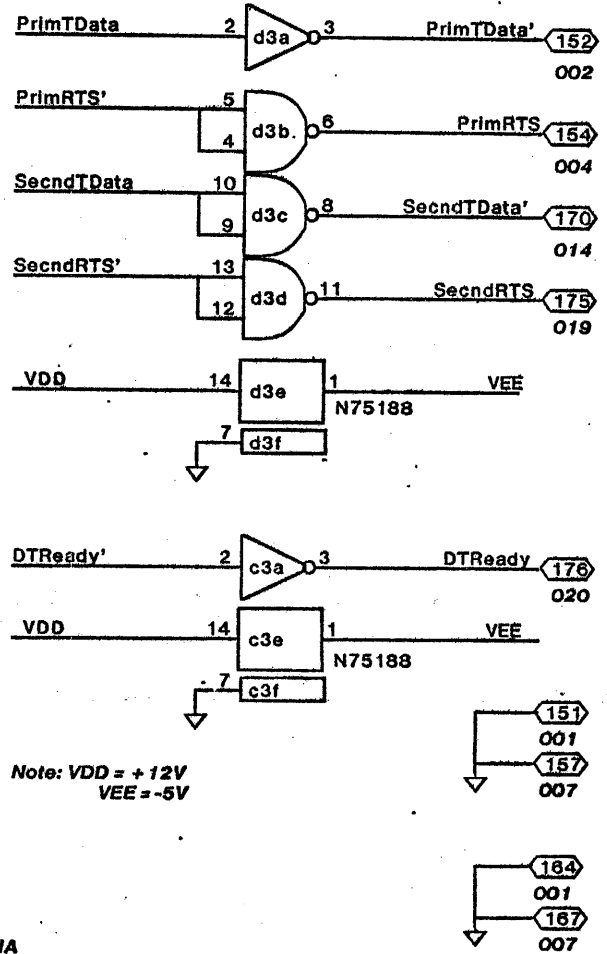


### RS232C Receivers

Font 2 is RS232C EIA  
Interface pin # (DTE).

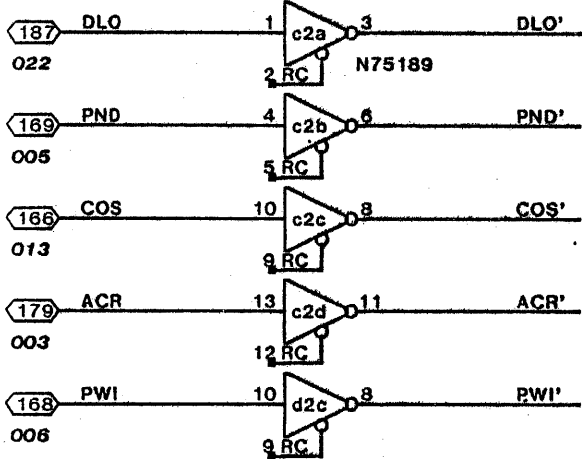


### RS232C Drivers

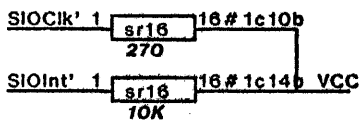
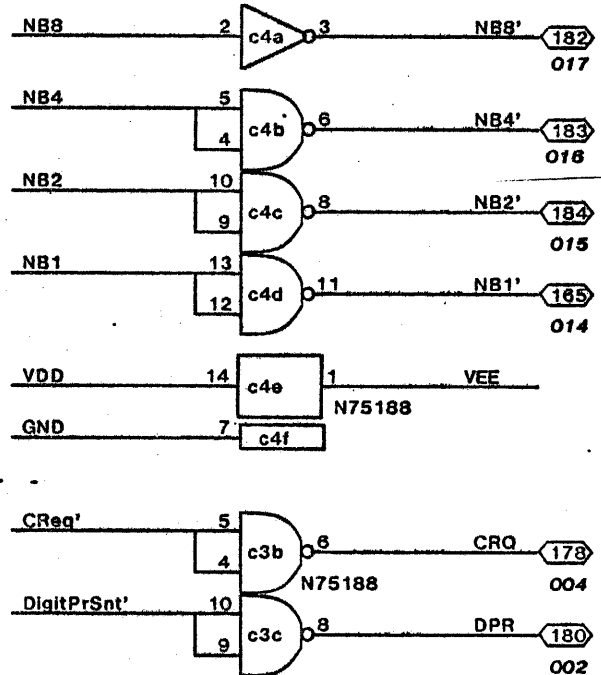


Font 2 is RS366 EIA  
Interface pin # (DTE).

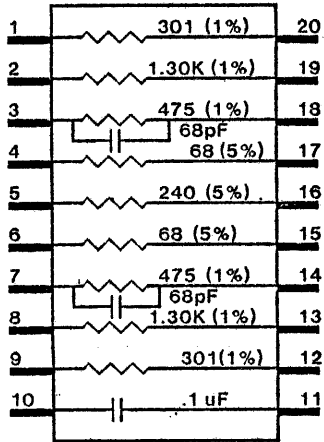
### RS366 receivers



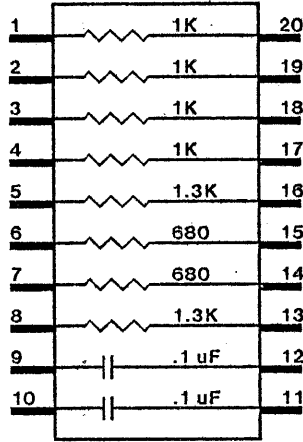
### RS366 Drivers



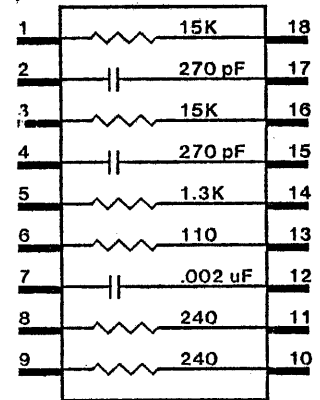
**CollPlat  
RcvPlat**



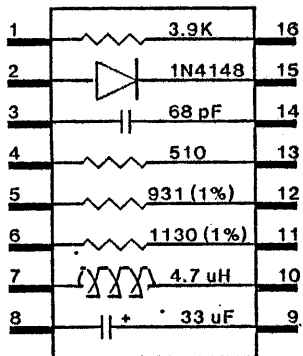
**LevelPlat**



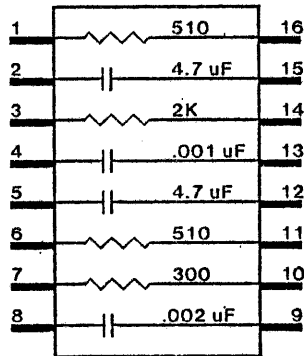
**MiscPlat**



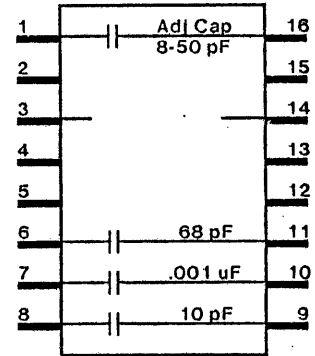
**VCOPlat**

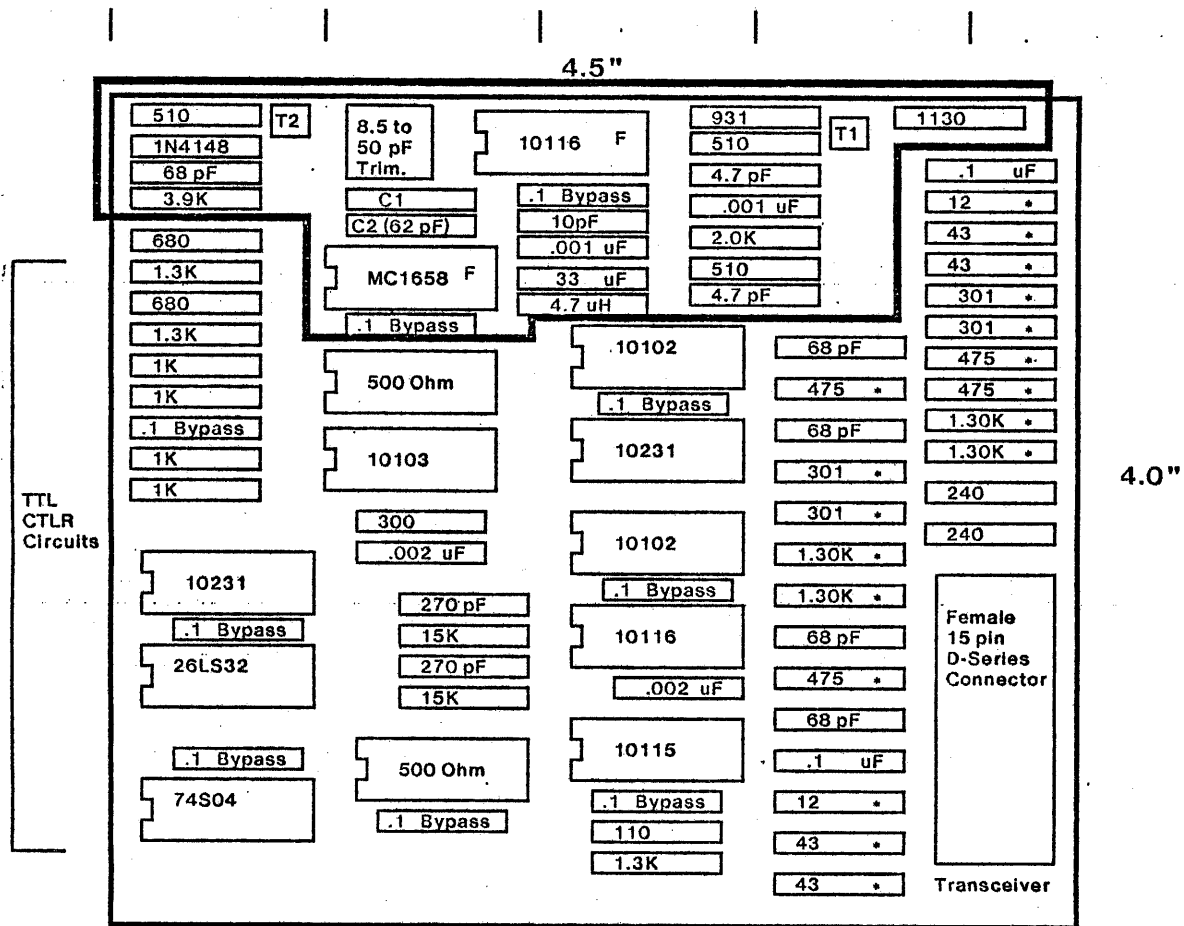


**FilterPlat**



**TrimPlat**





- \* These components will be put into a 16 pin resistor package.
- F The amplifier (10116) and VCO (MC1658) chips get filtered +5 volt power.

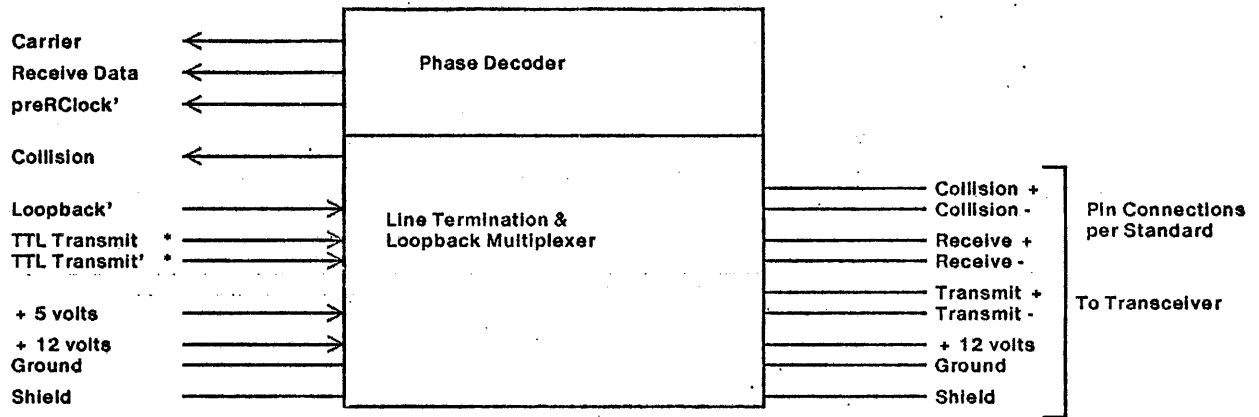
**PC Board Considerations:**

1. TTL signals should only touch the periphery of this circuit. TTL-ECL conversion (resistor dividers) should be at edge of circuit as well as ECL-TTL translator (26LS32).
2. There should be a ground plane providing at least 75% coverage of the board. Particular care should be take with the filter, amplifier, and VCO components enclosed by the heavy black line.
3. +5 volt power supply should have low impedance to ground plane at each chip. This can be accomplished by a separate +5 volt ground plane (or grid) or bypassing of the +5 supply at each chip. Power supply bypass capacitors should have short leads and have a low inductance (less than 30 nH) path between +5 volts and the ground plane.
4. Discrete components should be located next to the IC chip with which they are associated.
5. VCO timing and bypass capacitors should be located as close to the chip (MC1658) as possible.
6. Use of SIP's (single inline package) for terminators may ease layout problems due to many nets converging on a single terminator package. (Might use 4 SIPs instead of 2 DIPs)
7. It is OK to rearrange gates, flip-flops, & amplifiers within a given IC package, but do not trade from one package to another. Circuit operation depends on matching of sections within a package.
8. Component variations in the MC1658 VCO make it necessary to adjust the capacitance of the timing capacitor on each unit. Units examined so far require a range from 77 pF to 95 pF. C1 + C2 (NPO temperature coefficient) and the adjustable capacitor must span a range of approximately 35 pF. The sum of C1 and C2 in parallel is used to center the trimmer in the middle of the necessary adjustment range. This is done at design time when the PC board is available. Two capacitor positions are available to permit using two capacitors to get the desired value.

**Adjustment**

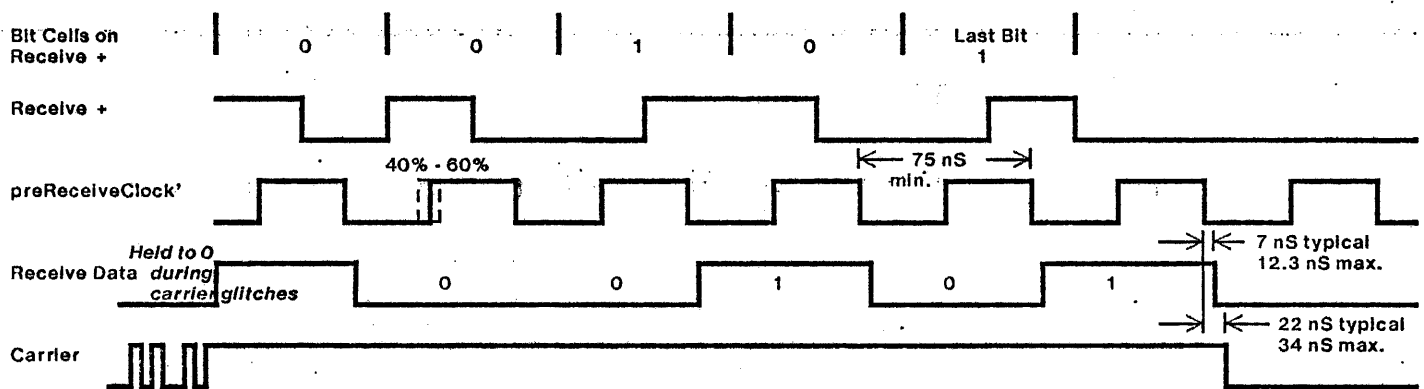
Adjustment is performed by connecting a 10 MHz input to the decoder and measuring the DC voltage between points T1 and T2. The board should be at room temperature and have power applied for at least 20 to 30 seconds before making the adjustment. The power supply voltage should be 5.0 volts + or - 100 mV and + 12 V + or - .25V. The adjustable capacitor is adjusted to set the voltage between points T1 and T2 to 10 mV or less. Measurement should be done with a DC voltmeter with 20,000 ohms/volt or greater input impedance. The data line should be checked to verify that it is in a stable 0 or 1 state and the carrier signal verified to be in a constant 1 state once the adjustment is made.

XEROX	Project	Title	File	Designer	Rev	Date	Page
SDD	EN	PLL Receiver Layout	Option51.sily	Crane	C	6/24/80	51



\* TTL Transmit and TTL Transmit' are the true and complement outputs of the final 74S74 flip-flop in the phase encoder.

### Block Diagram



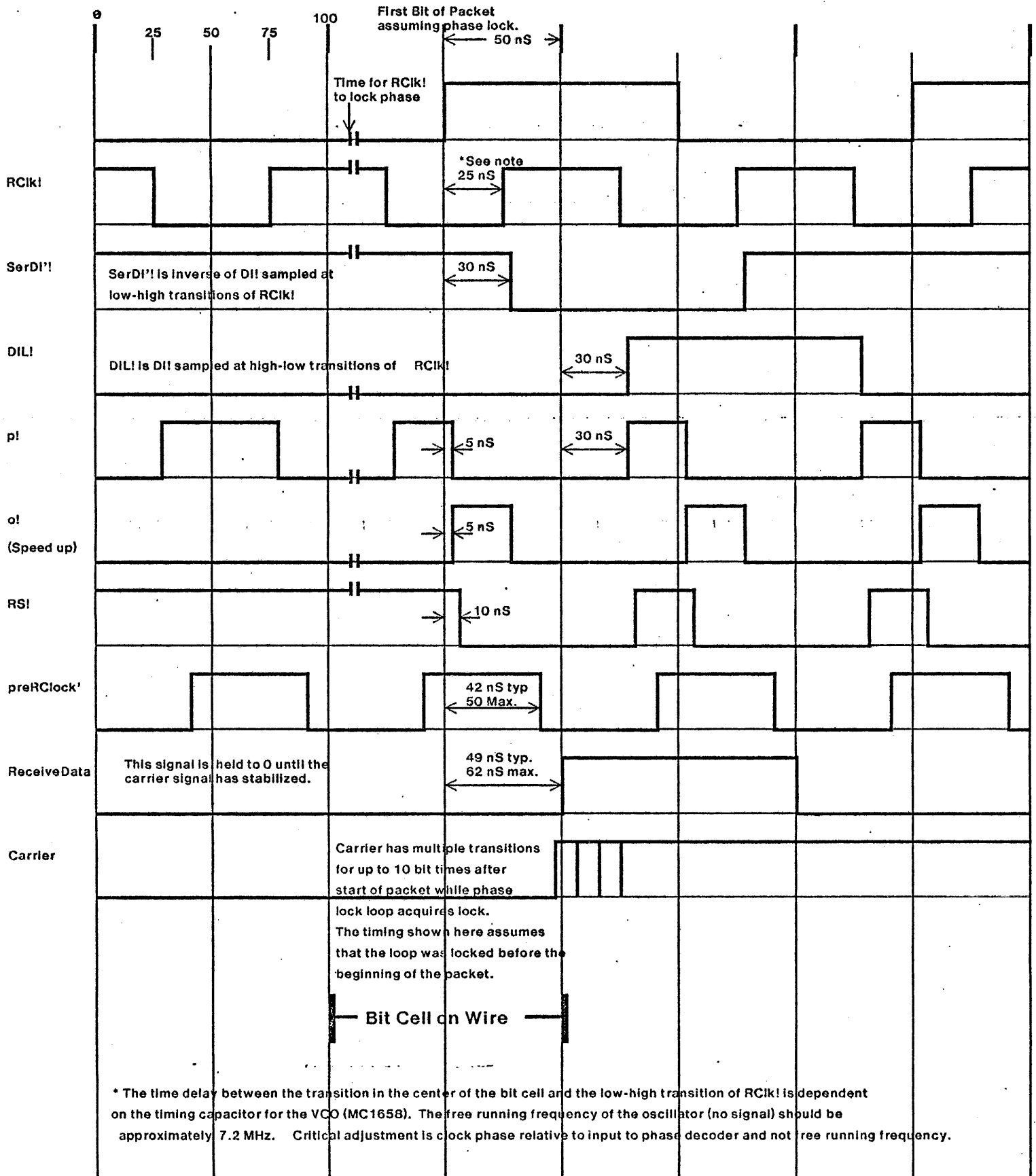
Carrier line has glitches at the start of carrier. The receive data line is held to zero during this period until the phase locked loop has acquired lock and the receive data stream contains valid data.

### Interface Timing

1. preRClock' has a 40% to 60% duty cycle. It free runs at about 7.2 MHz. With the test generator and 5000 feet of cable, a bit cell can be shortened by as much as 20 nS. This results in a clock period jitter ranging from 83 nS to 122 nS. Logic design must work with a 75 nS minimum clock period.
2. The collision signal is a TTL version of the differential signal which has passed through the line compensation and envelope threshold circuits.
3. The TTLtransmit signals are routed to the transceiver interface unless loopback is asserted in which case it goes to the phase decoder.
4. When Loopback' = 1, the multiplexer sends TTLtransmit to the transceiver and it sends the receive signal from the transceiver to the phase decoder. When Loopback' = 0, a logic 0 is sent to the transceiver and the TTLtransmit signal is sent to the phase decoder.
5. The 26LS32 can sink up to 8 mA in the logic low state. The 74S04 can sink up to 20 mA in the logic low state.
6. The differential signal, Transmit, has a differential voltage of .8 volt peak and a common mode voltage of 3.7 V above ground.
7. The differential receiver circuits for collision and receive require signals of at least .4 volt peak differential amplitude and a common mode voltage between 0 and + 5 volts. None of the inputs to the line receiver circuits should fall outside the range of -.5 V to + 5.5 V.
8. The line receivers can withstand up to .1 volt noise on the differential signal leads. This is accomplished by the introduction of an offset voltage at the input of the line receiver when the circuit is in the quiescent state. This offset is removed if a signal larger than 300 mV is present at the input to the receiver. The offset will not return until 200 to 300 nS after the last high-low transition on the given signal pair. The offset will also return if there are no signals larger than .12 volt peak present on the line.
9. The phase locked loop in the phase decoder takes up to 16 bit times to acquire lock (typically 5).
10. Power - .7 A @ + 5 volts, 2mA for interface and .5A for transceiver at + 12 volts Both supply tolerances are + or - 5%.

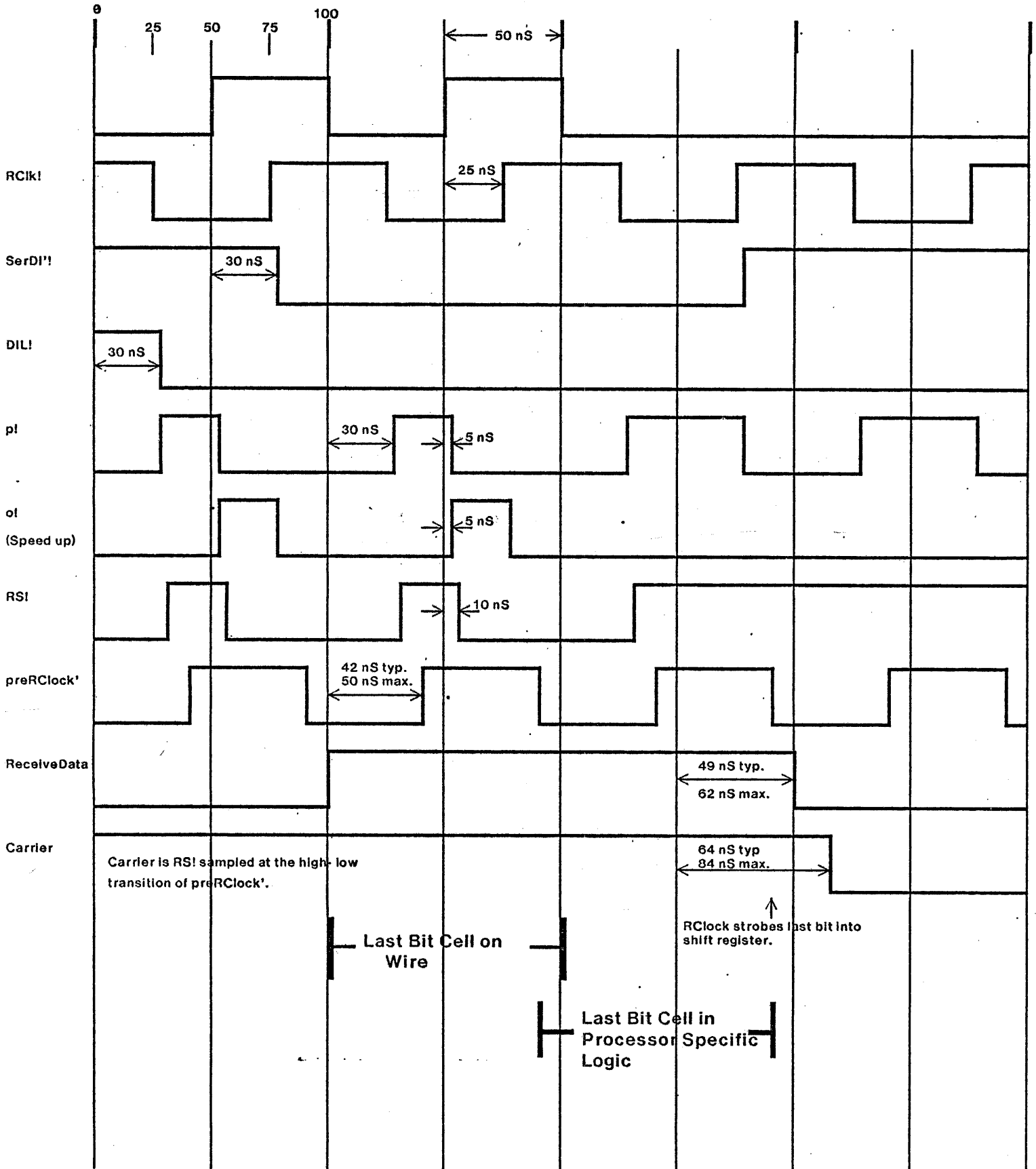
### Interface Specifications

XEROX SDD	Project EN	Analog Electronics Block Diagram & Specs.	File Option52.sily	Designer Crane	Rev C	Date 6/23/80	Page 52
--------------	---------------	--	-----------------------	-------------------	----------	-----------------	------------



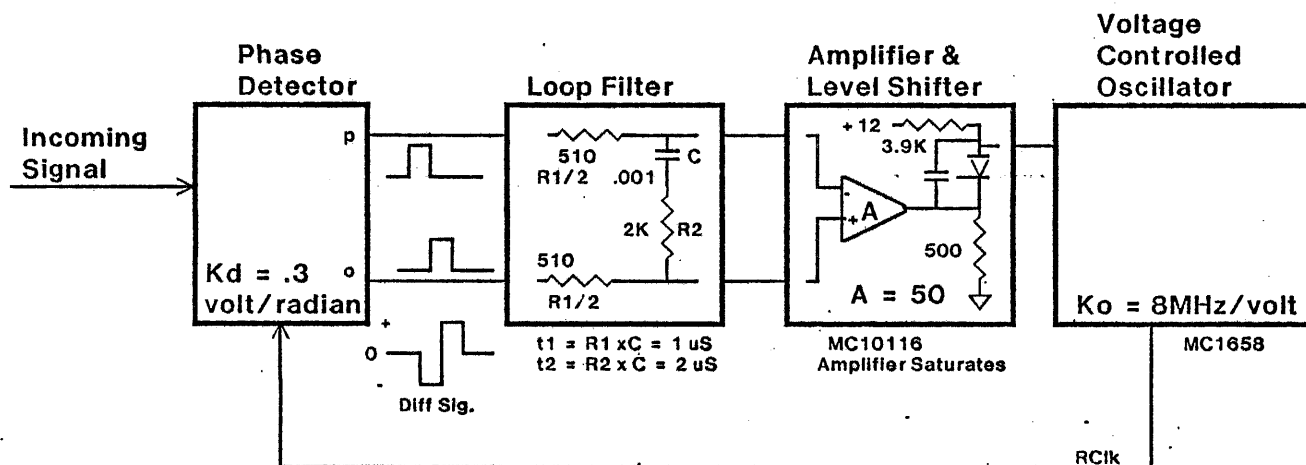
Time delays are from data book typicals & maximums. The number of significant digits is not an indication of accuracy.

XEROX SDD	Project EN	Receive Timing Start of Packet	File Option53.sily	Designer Crane	Rev C	Date 6/24/80	Page 53
--------------	---------------	-----------------------------------	-----------------------	-------------------	----------	-----------------	------------



Time delays are sums of typicals and maximums from data books. The number of significant digits is not an indication of accuracy.

XEROX	Project	Receive Timing	File	Designer	Rev	Date	Page
SDD	EN	End of Packet	Option54.sily	Crane	A	6/24/80	54



Natural Frequency  $\omega_n = \sqrt{\frac{K_o K_d A}{t_1 + t_2}}$  = 7.9 MHz if Amplifier were linear for pulses  $A = 1$  since amplifier saturates. Thus  $\omega_n =$  about 1 MHz .

Damping Factor  $D = \frac{\omega_n}{2} \left[ t_2 + \frac{1}{K_o K_d A} \right] =$  about 6.28, but amplifier is not saturated when pulses are gone so this is not exactly correct either.

$K_o = 1.25 \times 10^9$  rad/volt

$K_d = .3$  volt/radian

$A = 50$  volts/volt

$t_1 = 10^{-6}$  seconds

$t_2 = 2 \times 10^{-6}$  seconds

### Circuit Operation

The figure above identifies the key parts of the phase locked loop. The details of the phase detector are not important here except for the outputs p and o. With no signal input, p has a 50% duty cycle and o is always low. When a signal appears, but is not yet locked, both p and o have duty cycles averaging 25% over many cycles. This produces a zero net input to the amplifier and VCO. The VCO is tuned such that this voltage causes the VCO to run near 10 MHz. Assuming that the input signal is at 10MHz, the PLL will be well within its lock range. In the locked state, if the input signal advances in phase, the o signal will become wider and the p signal will get shorter causing a net positive voltage over the cycle. This causes the VCO to increase in frequency and catch up. The loop filter provides some attenuation of quick phase shifts, but most importantly it, combined with the high amplifier gain, centers the local clock (VCO) at 90 degrees with respect to the incoming signal. Note that in the locked state, both p and o have a 25% duty cycle in every cycle rather than 25% averaged over many cycles.

### Parts Selection & Design Comments

The key linear components of the phase locked loop, the amplifier and VCO, were selected to be readily available and operate from a +5 volt supply. The Motorola MC10116-amplifier and MC1658 VCO were selected.

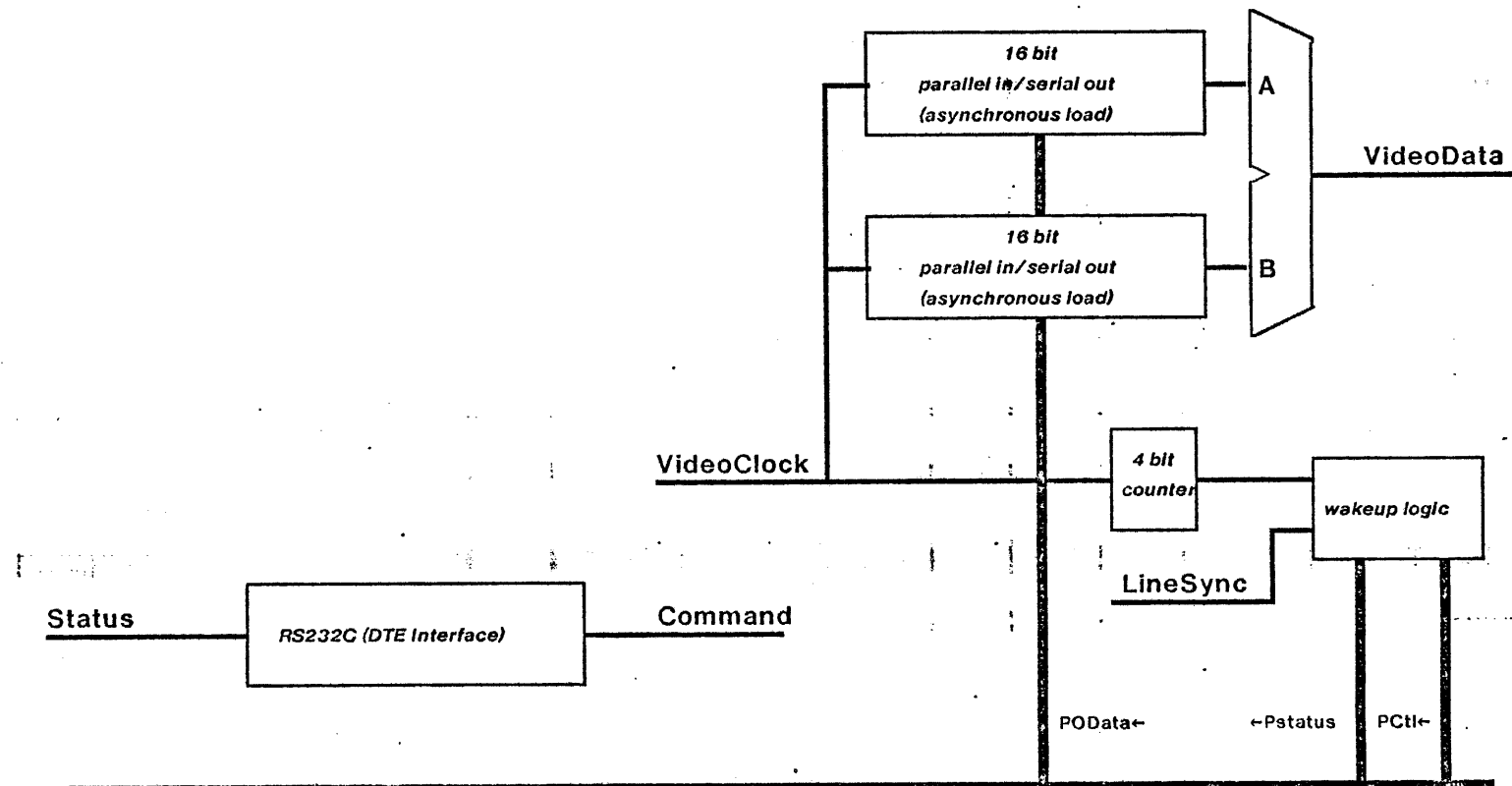
The combination of these two components with the diode level shifter provides a constant output frequency for a given differential input in the face of varying power supply voltage and temperature. It is important that the amplifier (MC10116) not have power supply compensation like the Fairchild 10K logic series. Motorola or Signetics parts should be used. The Fairchild part should NOT be used.

Limited linear range of amplifier (.8 volts peak-peak) requires that textbook equations have correction factors added. Some analysis and experimentation have resulted in the above circuit configuration. In particular, the typical integrator configuration works poorly because the amplifier saturates and fails to charge the integrator capacitor.

Because the pulses from the phase detector pass directly to the VCO, typical lock time of this circuit is very short. These pulses at the VCO are also the reason for the 40% to 60% duty cycle of the clock waveform.

XEROX SDD	Project EN	Phase Locked Loop (PLL) Details	File Option55.sily	Designer Crane	Rev C	Date 6/24/80	Page 55
--------------	---------------	------------------------------------	-----------------------	-------------------	----------	-----------------	------------





X Bus

Signals from LSEP connector are in the large font.

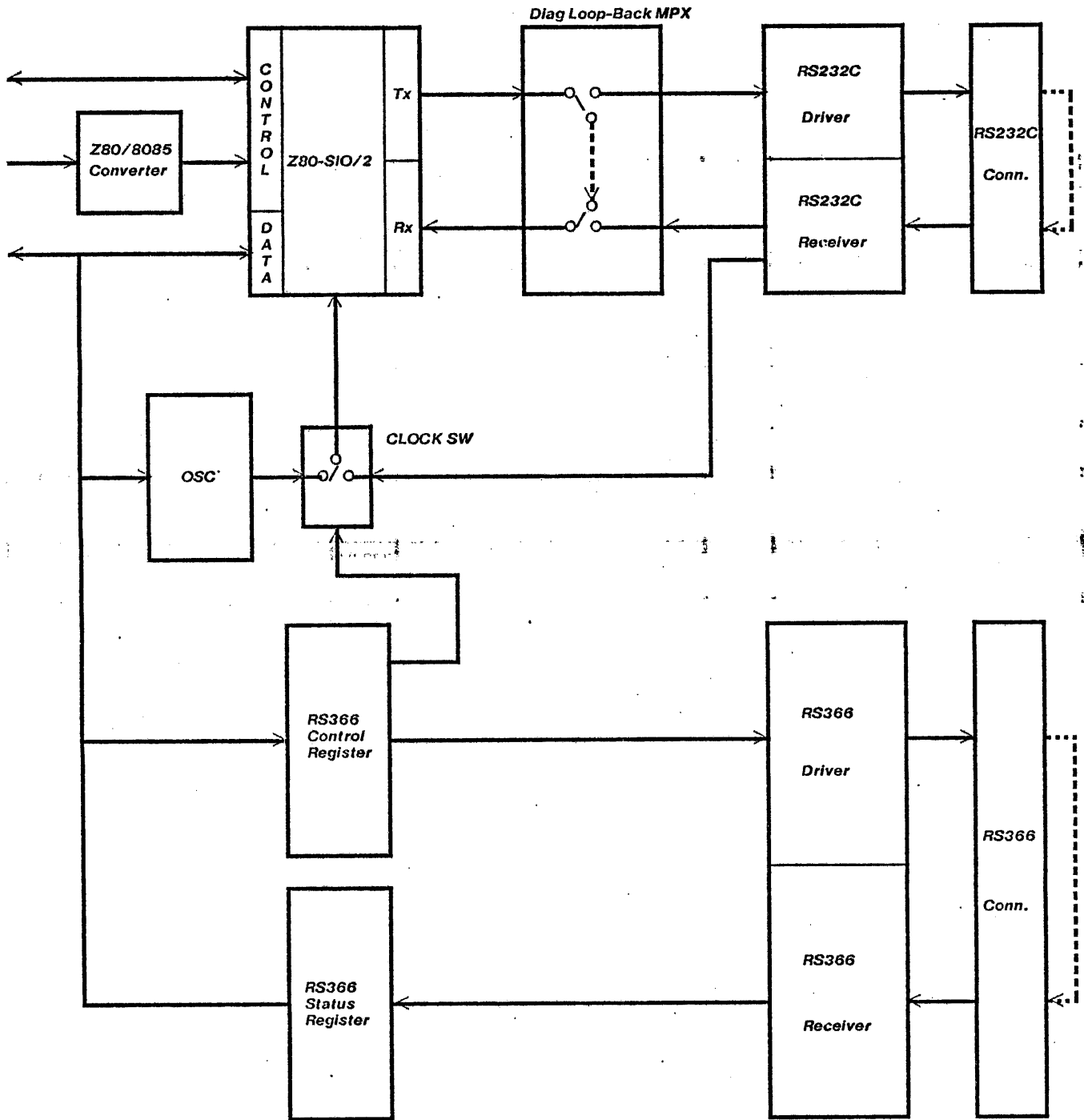
**Control Register Functions:**

1. disable wakeup (level)
2. clear buffer (level)
3. test mode (level)
4. end of line (pulse)
5. clear errors (pulse)
6. step (test mode clock)

**Status Register:**

1. data overrun
2. buffer loadable (0 =>A, 1 =>B)
3. VideoData

XEROX SDD	Project Dandelion	Reference LSEP Block Diagram	File Option80.sily	Designer Jarvis	Rev C	Date 3/11/80	Page 80
--------------	----------------------	---------------------------------	-----------------------	--------------------	----------	-----------------	------------



### RS232C Loop Back Plug (Plug1)

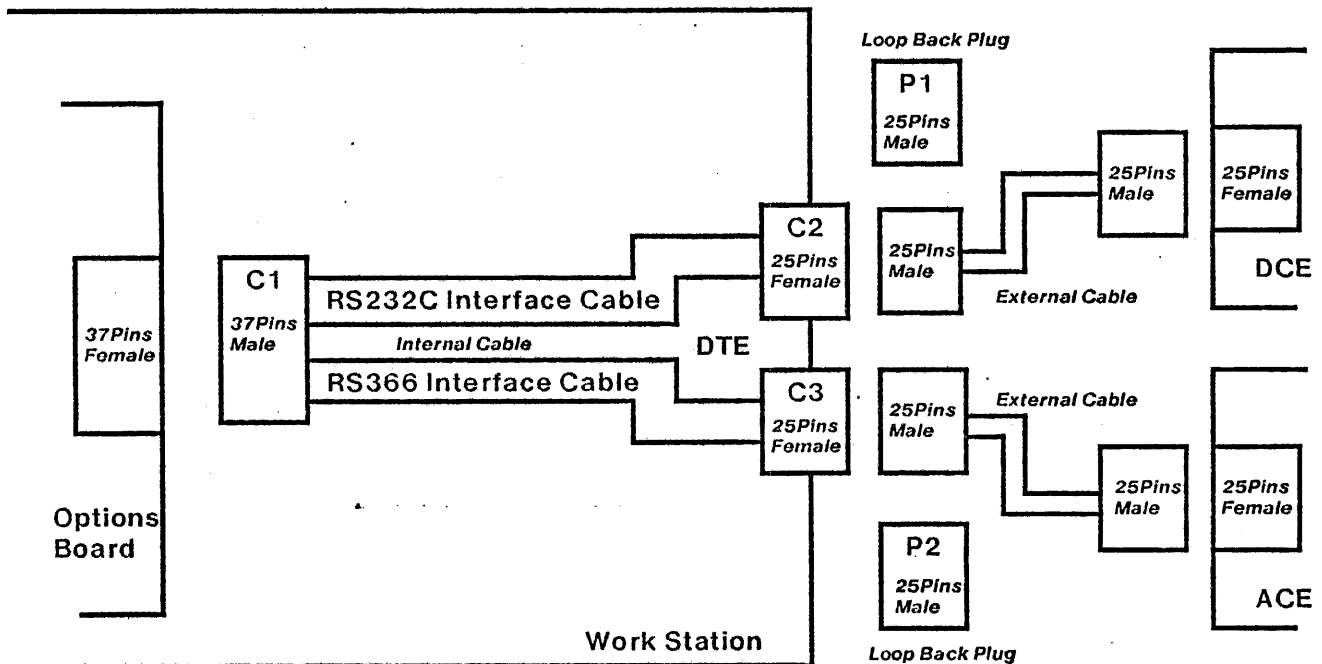
From	OutPut Signal Name	To	Input Signal name
P2-2	Transmitted Data (DCE source)	P2-3	Received Data (DCE Input)
P2-4	Request to Send	P2-5	Clear to Send
P2-4	Request to Send	P2-8	Receive Line Signal detector
P2-19	Secondary Request to Send	P2-12	Secondary Received Line Signal Detector
P2-14	Secondary Transmitted Data (DCE source)	P2-16	Secondary Received Data (DCE Input)
P2-19	Secondary Request to Send	P2-13	Secondary Clear to Send
P2-20	Data Terminal Ready	P2-6	Data Set Ready

Unused Signals: P2-15 Transmittion Signal Element Timing (DCE source)  
 P2-17 Receiver Signal Element Timing (DCE source)  
 P2-22 Ring Indicator  
 P2-24 Transmit Signal Element Timing (DTE source)

### RS366 Loop Back/ LSEP Plug (Plug2)

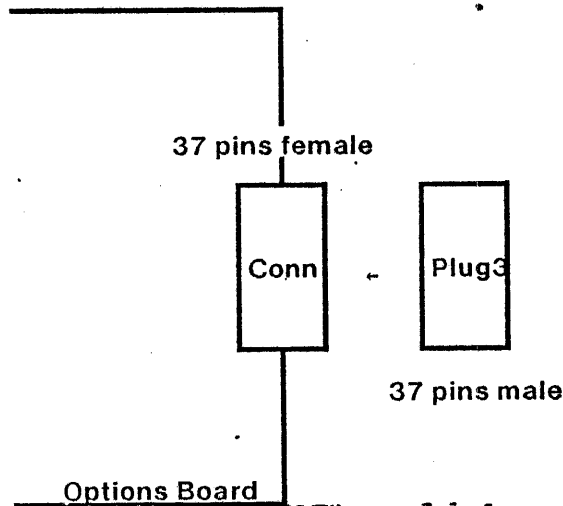
From	OutPut Signal Name	To	Input Signal name
P3-14	Number Bit1 (RS366)	P3-6	Power Indcation (RS366)
	Command! (LSEP)	P3-10	Status! (LSEP)
P3-15	Number Bit2 (RS366)	P3-3	Abondon Call & Retry (RS366)
	Command!! (LSEP)	P3-11	Status!! (LSEP)
P3-16	Number Bit4	P3-13	Call origination Status
P3-17	Number Bit8	P3-5	Present Next Digit
P3-2	Digit Present	P3-22	Data Line Occupied

Unused Signal P3-4 Call Request

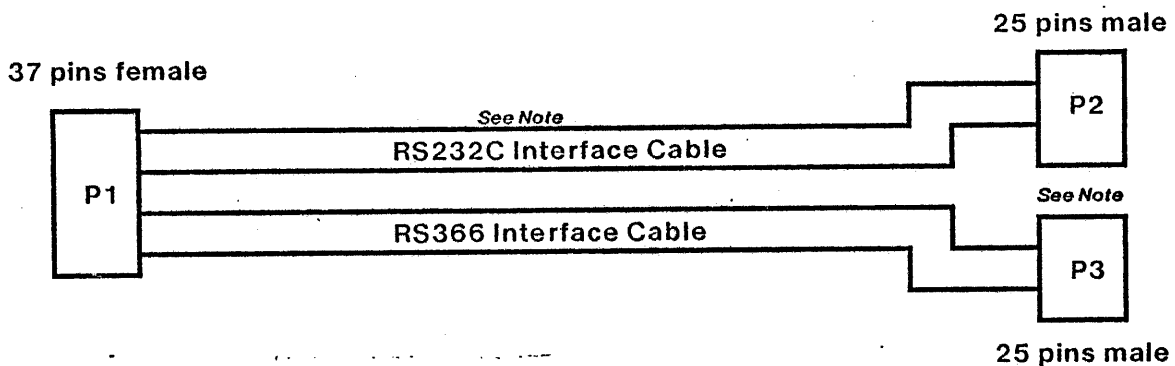


### Loop Back Plug (Plug3)

From	Signal Name (OUTPUT)	to	Signal Name (INPUT)
2 (152)	PrimTData'	3 (153)	PrimRData'
4 (154)	PrimRTS	5 (155)	PrimCTS
4 (154)	PrimRTS	8 (158)	PrimLineDet
25 (175)	SecndRTS	12 (162)	SecndLineDet
20 (170)	SecndTData'	22 (172)	SecndRData'
25 (175)	SecndRTS	13 (163)	SecndCTS
26 (178)	DTRReady	6 (156)	DataSetRdy
15 (165)	NB1'	18 (168)	PWI
34 (184)	NB2'	29 (179)	ACR
33 (183)	NB4'	16 (166)	COS
32 (182)	NB8'	19 (169)	PND
28 (178)	CRQ	9 (159)	RingInd (RS232C Signal)
30 (180)	DPR	37 (187)	DLO



From	Signal Name at P1	To	RS232C/RS366 Interface Signal Name
24		P1-27	
36		P1-35	
1 (151)	GND	P2-1	Protective Ground
2 (152)	PrimTData'	P2-2	Transmitted Data (DCE source)
3 (153)	PrimRData'	P2-3	Received Data (DCE input)
4 (154)	PrimRTS	P2-4	Request to Send
5 (155)	PrimCTS	P2-5	Clear to Send
6 (156)	DataSetRdy	P2-6	Data Set Ready
7 (157)	GND	P2-7	Signal Ground
8 (158)	PrimLineDet	P2-8	Receive Line Signal detector
9 (159)	RingInd	P2-22	Ring Indicator
10 (160)		P2-11	
11 (161)	Spare (Option)	P2-24	Transmit Signal Element Timing (DTE source)
12 (162)	SecndLineDet	P2-12	Secondary Received Line Signal Detector
13 (163)	SecndCTS	P2-13	Secondary Clear to Send
20 (170)	SecndTData'	P2-14	Secondary Transmitted Data (DCE source)
21 (171)	DCETxCik	P2-15	Transmittion Signal Element Timing (DCE source)
22 (172)	SecndRData'	P2-16	Secondary Received Data (DCE input)
23 (173)	DCERxCik	P2-17	Receiver Signal Element Timing (DCE source)
25 (175)	SecndRTS	P2-19	Secondary Request To Send
26 (176)	DTRedy	P2-20	Data Terminal Ready
31 (181)	Spare		
28 (178)	CRQ	P3-4	Call Request
29 (179)	ACR	P3-3	Abondon Call & Retry
30 (180)	DPR	P3-2	Digit Present
14 (164)	GND	P3-1	Frame Ground
15 (165)	NB1'	P3-14	Number Bit1
16 (166)	COS	P3-13	Call origination Status
17 (167)	GND	P3-7	Signal Ground
18 (168)	PWI	P3-6	Power Indication
19 (169)	PND	P3-5	Present Next Digit
32 (182)	NB8'	P3-17	Number Bit8
33 (183)	NB4'	P3-16	Number Bit4
34 (184)	NB2'	P3-15	Number Bit2
37 (187)	DLO	P3-22	Data Line Occupied



Note: For P2 and P3, Cannon or Clinch type DB-19604-432(male) associated with Clinch type DB-521226-1 HOOD.  
Note: Use 24 AWG Stranded, Non twisted paire wire for fabrication.

**Rev A (5/28/80)**

**Created**

**Rev B (6/27/80)**

**Add Power supply section of Z80-SIO/2 (m8p).**

**Add Inverter d14d.**

**Signal name change from PrCTS' to SecCTS'.**

**Signal name change from SecCTS' to PrCTS'.**

**Move signal "DataTermRdy'" of Z80-SIO/2 from pin 16 to pin 25.**

**Change IC SN74LS257 to SN74LS157**

**Change IC from SN7437N to SN7438N**

**SIOHigh1 is pull-up ed by 1k ohm.**

<b>XEROX</b> SDD	<b>Project</b> Dandelion	<b>Title</b> RS232 Change History	<b>File</b> Option94.sily	<b>Designer</b> K.Yamanaka	<b>Rev</b> C	<b>Date</b> 6/27/80	<b>Page</b> 94
---------------------	-----------------------------	--------------------------------------	------------------------------	-------------------------------	-----------------	------------------------	-------------------

LSEP			
a	b	c	d
S02 @ pWait,pAlways EIData,...	S374 @ AlwaysClk	S241 BufX[0-7]	S241 BufX[8-15]
LS74 Load,Want	S51 Req,ShiOut	LS165 BufA[0-7]	LS165 BufA[8-15]
LS74 Swap,Data	LS74 Line, Ref	LS165 BufB[0-7]	LS165 BufB[8-15]
LS163 VWord		LS04 POD,PCII,EWr EICII,EOCI,EOD	LS175 PCII
LS32 @ ...TRd, TWf,...		LS02 @ Clr,Need, .....	LS32 Wr', Rd', ClkLp, ClrBuf'
	LS273 RS366 Clk	LS04 dmaA,B,Int, IorQ,CE,CD	LS245 BaudByte
	LS245 SIOData	LS240 RS366 Stat	LS245 LSEPByte
	18253 LSEP Baud Rate Gen	m12	18251 LSEP UART
		LS10 @ SIOCE,CD', ...	
		S37 @ SIOCik', SIOHigh	LS00 IOPReset' BA', IORQ, SIOBA
LS157 LoopBack	LS157 LoopBack	LS157 LoopBack	LS157 LoopBack
		m8	Z80-SIO/2 RS232 Serial
			LS74 Ring, Coll
PLAT16 LSEPTerm2		N75188 RS232 Drv	
PLAT16 LSEPTerm1		N75188 RS232 Drv	N75188 RS366 Drv
MC124 LSEP: Comm, Data		N75189 RS366 Rcv	N75189 RS232 Rcv
MC125 LSEP: Clk, Sync, Stat		N75189 RS366 Rcv	N75189 RS232 Rcv

ETHERNET				
e	f	g	h	i
S240 ESat[0-7]	S374 EIData[0-7]	S299 TData[0-7]	S225 Buf[0-3]	
S240 ESat[8-15]	S374 EIData[8-15]	S299 TData[8-15]	S225 Buf[4-7]	S374 @ AlwaysClk
LS175 EICII	LS374 EOData[0-7]	LS374 RHold[0-7]	S225 Buf[8-11]	LS175 StatusHold'
LS175 EOCII	LS374 EOData[8-15]	LS374 RHold[8-15]	S225 Buf[12-15]	LS175 RStatus
S00 EIData,EOData, EICII-,EOCII-	S51 WrBuf', Attn'	S299 RData	S64 RdBuf'	S64' EReq'
S10 LSEP Qual	S10 LdRHold.H, L LdRStatus	S04 @ RCO,atn,EID', .....,alwys	LS175 RcvState	LS175 @ RClock
LS74 TickElapsd, OverRun	LS163 RcvCnt	S00 @ PPkt,RC = 15', BDs.3	F93453 RcvProm	LS374 RSync
F93453 TrnProm	S10 PreamDel', RcvCnt = 7', TrnCnt = 7'	LS163 TrnCnt		S51 PktInMode' TRCIk'
S175 TrnState	S374 Tsync	F93453 TrnEndProm	LS163 WaitB	LS163 WaitA
S10 TrnMode, TrnInit, c4'	S374 Tclock		LS393 DeferCnt	LS00 DC = 384, ClrDC,bw', RdyTrn
S08 @ Snd,SetCRC, PhG,....	S00 @ POM,TrnCRC, c7,....	S02 StTrn,Under, rsc,SetCRC	LS04 @ Full,Car,EW TC = 15.	S253 TrnMux
S30 c5'	S260 c1,GoodCRC	S30 c6'	S260	S260 c2,c3
LS244 Testability	S86 PhE,Ox,1x,3x	S86 4x,6x,7x,9x,	S86 10x,11x, 15x,21x	S86 22x,25x, 32a,32b
K1114A 20 MHz	LS273 CRC[0-7]	LS273 CRC[8-15]	LS273 CRC[16-23]	LS273 CRC[24-31]
S74 Trn, pTClock	LevelPlat		S04 TCIk,TBit, c32,RBit, RclkSh,RCIk	
MC231 RS, Car	MC231 SerDI, DIL	MC102 DI, Transmit	26LS32 Coll, RBit', Car, pRCIk	
FilterPlat	MC103 dr, rbe',Lp	MC102 p, o	MiscPlat	CollPlat
MC116 ppp,Amp, Ref	VCOPlat	500 ohm ENTerm1	500 ohm ENTerm2	RcvPlat
MC1658 VCO	TrimPlat	MC115 RComp,RcvE, CComp,ZCom	MC116 TrnE,Rcv + Trn +	EPLAT

DIP Orient. I/O Connector Area (Top) I/O Connector Area (Bottom) No TTL In Box!!

ML	Drawing No.	Rev. C
----	-------------	-----------

MATERIAL LIST

Rev. C	Drawing Title <b>Preliminary</b> <b>Dandelion Options Card Parts List</b>		<p>These drawings and specifications, and the data contained therein, are the exclusive property of Xerox Corporation and or Rank Xerox, Ltd. Issued in strict confidence and shall not, without the prior written permission of Xerox Corporation Rank Xerox, Ltd., be reproduced, copied or used for any purpose whatsoever, burp, except the manufacture of articles for Xerox Corporation or Rank Xerox, Ltd.</p>		
	Dwg. No.	[Iris]<Workstation>Options>OPTParts-C.dm			
		Model No.	Date <b>31 July 80</b>	Sheet <b>1</b> of <b>4</b>	
ML	Item No.	Drawing Title	Drawing No.	No. Req.	Remarks
		<i>Integrated Circuit</i> SN74S00	733W00318	3	
		SN74S02	733W01643	3	
		SN74S04	733W00319	2	
		SN74S08	733W01611	1	
		SN74S10	733W01606	4	
		SN74S30	733W01645	2	
		SN74S37	733W02136	1	
		SN74S51	733W01621	3	
		SN74S64	733W01620	2	
		SN74S74	733W01771	1	
		SN74S86	733W01648	4	
		SN74S175	733W01630	1	
		SN74S225	733W01533	4	T I F I F O
		SN74S240	733W01633	2	
		SN74S241	733W01634	2	
		SN74S253	733W01636	1	
		SN74S260	733W00321	2	
		SN74S299	733W01668	3	
		SN74S374	733W01640	6	
		SN74LS00	733W01671	2	
		SN74LS04	733W01672	3	
		SN74LS10	733W01761	1	
		SN74LS32--	733W01705	2	
		SN74LS74	733W01675	5	
		SN74LS157	733W01745	4	
		SN74LS163	733W01770	5	
		SN74LS175	733W01642	7	
	<i>Integrated Circuit</i>	SN74LS165	733W01674	4	





ML	Drawing No.	Rev. C
----	-------------	-----------

**MATERIAL LIST**

Rev. C	Drawing Title	<p>These drawings and specifications, and the data contained therein, are the exclusive property of Xerox Corporation and or Rank Xerox, Ltd. Issued in strict confidence and shall not, without the prior written permission of Xerox Corporation Rank Xerox, Ltd., be reproduced, copied or used for any purpose whatsoever, except the manufacture of articles for Xerox Corporation or Rank Xerox, Ltd.</p>	
	<p><b>Dandelion Options Card Parts List</b></p> <p><i>[[Iris]&lt;Workstation&gt;Options&gt;OPTParts-C.dm</i></p>		
	Model No.	Date 8 July 80	Sheet 3 of 4

Item No.	Drawing Title	Drawing No.	No. Req.	Remarks
	Resistor 1/4 watt 5% 36 ohm	703W28788	6	
	68 ohm		4	
	110 ohm	703W29988	1	
	220 ohm	703W30688	5	
	240 ohm	703W30788	5	
	300 ohm	703W30988	1	
	510 ohm	703W31588	3	
	680 ohm	703W31888	2	
	1K ohm	703W32288	10	
	1.3K ohm	703W32588	3	
	2.0K ohm	703W32988	1	
	3.9K ohm	703W33688	1	
	10K ohm	703W34688	1	
	Resistor 1/4 watt 5% 15K ohm	703W35088	2	
	Resistor 1/4 watt 1% metal film 301 ohm	703W15206	4	
	475 ohm	703W17106	4	
	931 ohm	703W19906	1	
	1130 ohm	703W20706	1	
	Resistor 1/4 watt 1% metal film 1300 ohm	703W21306	4	
	Resistor Network 5% 510 ohms 15 pulldowns		2	AB 316A511 ??
	Diode 1N4148	707W00273	1	
	Fuse 10A slow blow	708W11402	1	
	Inductor 4.7 uH .55 ohm DC res.	705W00021	1	Nytronics SWD 4.7
	20 MHz oscillator K1114A		1	

ML	Drawing No.	Rev. C
----	-------------	-----------

MATERIAL LIST

Rev. C No.	Drawing Title		<p>These drawings and specifications, and the data contained therein, are the exclusive property of Xerox Corporation and or Rank Xerox, Ltd. issued in strict confidence and shall not, without the prior written permission of Xerox Corporation Rank Xerox, Ltd., be reproduced, copied or used for any purpose whatsoever, except the manufacture of articles for Xerox Corporation or Rank Xerox, Ltd.</p>		
	<p><b>Dandelion Options Card Parts List</b>  <i>Ethernet Phase Decoder</i>  <i>[Iris] &lt;Workstation&gt; Options &gt; OPTParts-C.dm</i></p>				
	Model No.	Date 31 July 80	Sheet 4 of 4		
	Item No.	Drawing Title	Drawing No.	No. Req.	Remarks
		Capacitor 6V, tantalum electrolytic, 33 uF		1	Across 5V
		Al Foil Electrolytic, 50 uF	702W14201	2	
		50V, Ceramic, .1 uF -20 + 80%	702W05218	~ 50	
ML		Capacitor 25V, + 30ppm NPO, 62pF + 5%		1	
		Capacitor, Adjustable 8.5-50 pF, 650 ppm TC			JFD # MT550
		Capacitor, 25V, + 30 ppm NPO 4.7 pF + 10%		2	
		10 pF + 10%		1	
		68 pF + 10%	702W01191	5	
		270 pE + 10%	702W01891	2	
		.001 uE + 10%	702W02591	2	
		Capacitor, 25V, + 30 ppm NPO .002 uE + 10%		2	
		15 Pin Female D series connector		1	AMP 206914-1