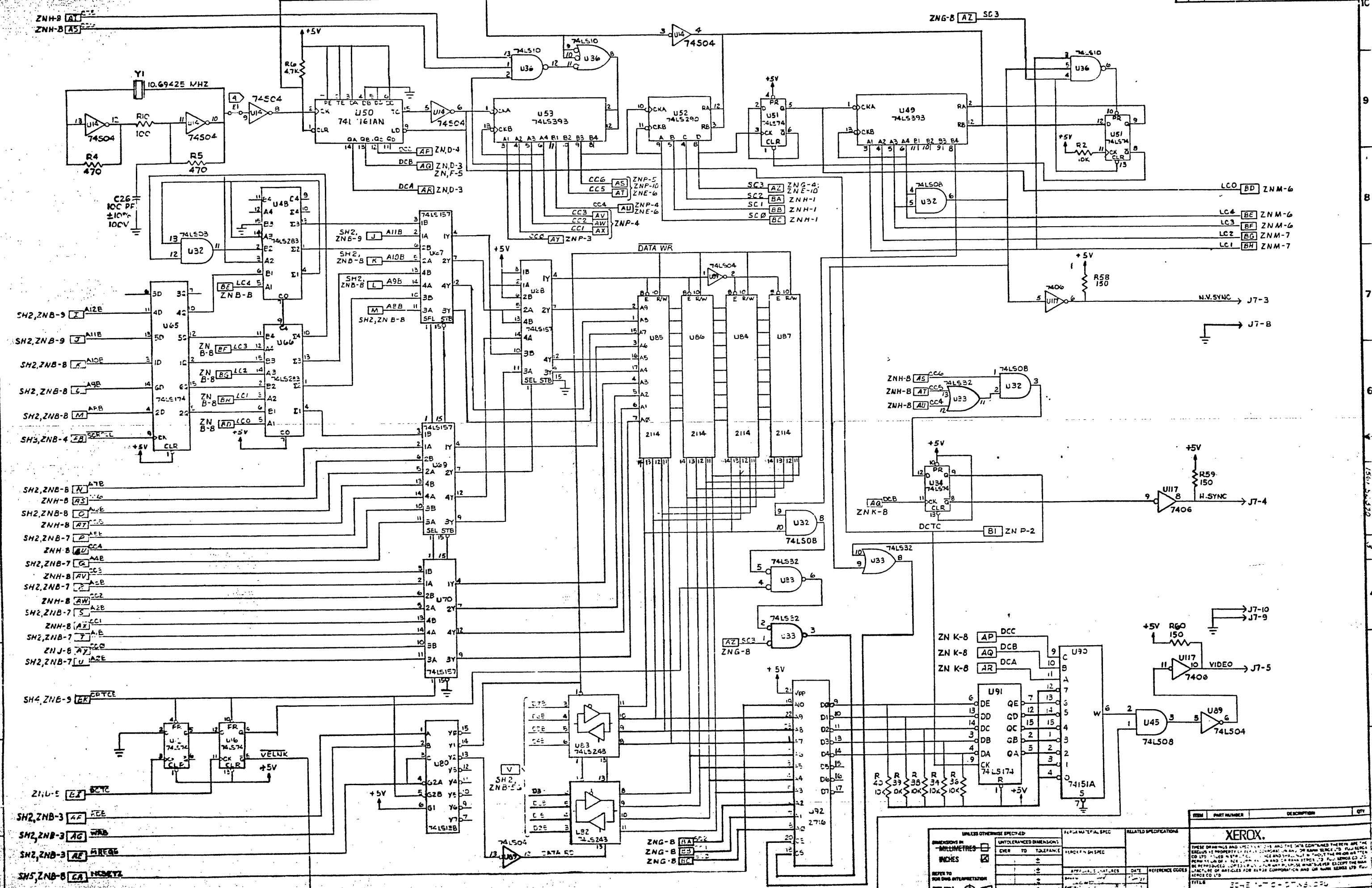
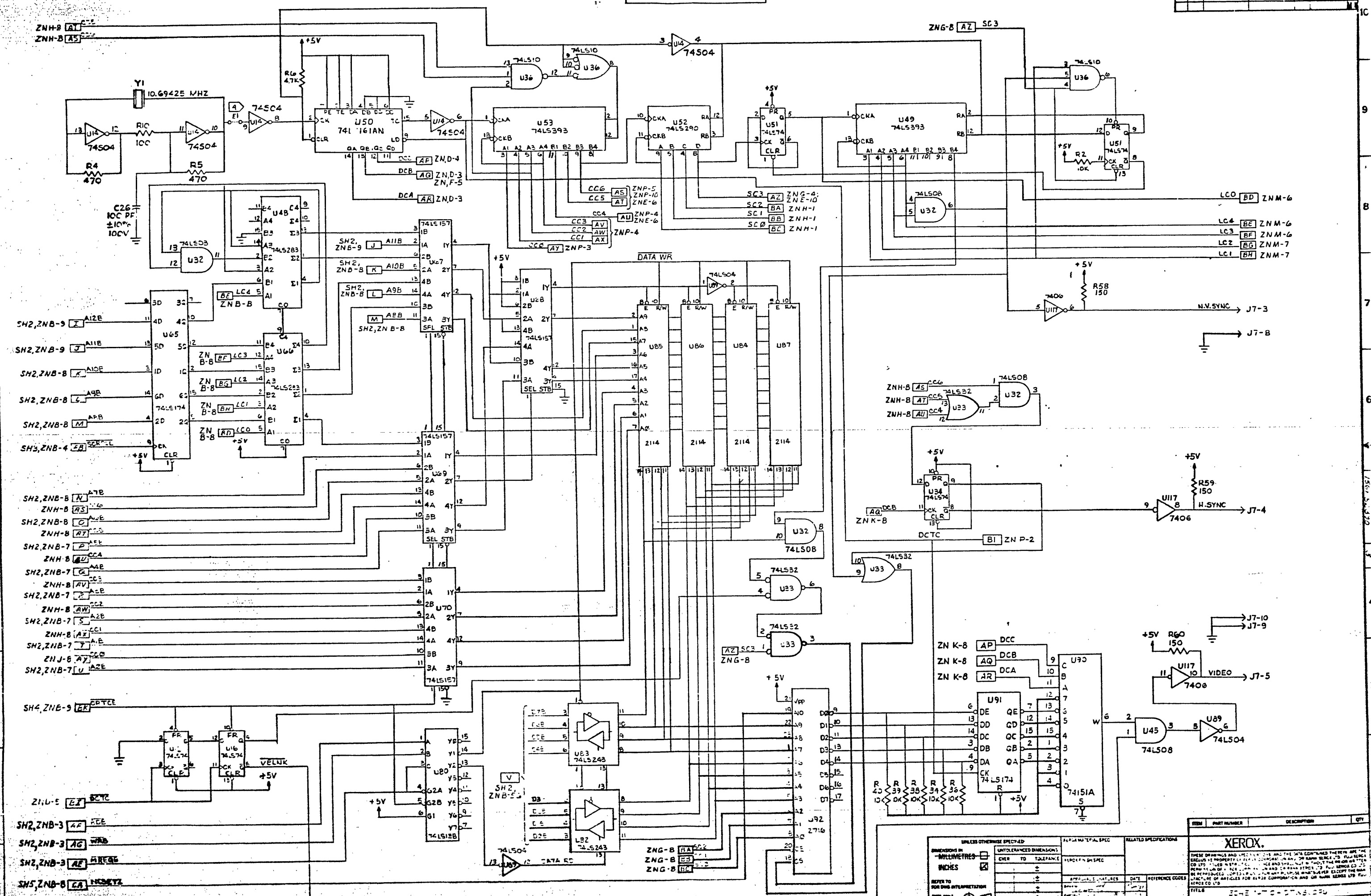


CRT DISPLAY GEN

REVISION RECORD				
REV	DATE	BY	CHKD	REMARKS



- ZNH-B [AT] 10.69425 MHZ
- ZNH-B [AS] 74LS04
- ZNH-B [AZ] SC3
- ZNH-B [BA] ZNH-1
- ZNH-B [BB] ZNH-1
- ZNH-B [BC] ZNH-1
- ZNH-B [BD] ZNM-6
- ZNH-B [BE] ZNM-6
- ZNH-B [BF] ZNM-6
- ZNH-B [BG] ZNM-7
- ZNH-B [BH] ZNM-7
- ZNH-B [CA] ZNM-7
- ZNH-B [CB] ZNM-7
- ZNH-B [CC] ZNM-7
- ZNH-B [CD] ZNM-7
- ZNH-B [CE] ZNM-7
- ZNH-B [CF] ZNM-7
- ZNH-B [CG] ZNM-7
- ZNH-B [CH] ZNM-7
- ZNH-B [CI] ZNM-7
- ZNH-B [CJ] ZNM-7
- ZNH-B [CK] ZNM-7
- ZNH-B [CL] ZNM-7
- ZNH-B [CM] ZNM-7
- ZNH-B [CN] ZNM-7
- ZNH-B [CO] ZNM-7
- ZNH-B [CP] ZNM-7
- ZNH-B [CQ] ZNM-7
- ZNH-B [CR] ZNM-7
- ZNH-B [CS] ZNM-7
- ZNH-B [CT] ZNM-7
- ZNH-B [CU] ZNM-7
- ZNH-B [CV] ZNM-7
- ZNH-B [CW] ZNM-7
- ZNH-B [CX] ZNM-7
- ZNH-B [CY] ZNM-7
- ZNH-B [CZ] ZNM-7



- ZNH-B [AT] 10.69425 MHZ
- ZNH-B [AS] 74LS04
- ZNH-B [AZ] SC3
- ZNH-B [BA] ZNH-1
- ZNH-B [BB] ZNH-1
- ZNH-B [BC] ZNH-1
- ZNH-B [BD] ZNM-6
- ZNH-B [BE] ZNM-6
- ZNH-B [BF] ZNM-6
- ZNH-B [BG] ZNM-7
- ZNH-B [BH] ZNM-7
- ZNH-B [CA] ZNM-7
- ZNH-B [CB] ZNM-7
- ZNH-B [CC] ZNM-7
- ZNH-B [CD] ZNM-7
- ZNH-B [CE] ZNM-7
- ZNH-B [CF] ZNM-7
- ZNH-B [CG] ZNM-7
- ZNH-B [CH] ZNM-7
- ZNH-B [CI] ZNM-7
- ZNH-B [CJ] ZNM-7
- ZNH-B [CK] ZNM-7
- ZNH-B [CL] ZNM-7
- ZNH-B [CM] ZNM-7
- ZNH-B [CN] ZNM-7
- ZNH-B [CO] ZNM-7
- ZNH-B [CP] ZNM-7
- ZNH-B [CQ] ZNM-7
- ZNH-B [CR] ZNM-7
- ZNH-B [CS] ZNM-7
- ZNH-B [CT] ZNM-7
- ZNH-B [CU] ZNM-7
- ZNH-B [CV] ZNM-7
- ZNH-B [CW] ZNM-7
- ZNH-B [CX] ZNM-7
- ZNH-B [CY] ZNM-7
- ZNH-B [CZ] ZNM-7

ITEM	PART NUMBER	DESCRIPTION	QTY

UNLESS OTHERWISE SPECIFIED:

DIMENSIONS IN MILLIMETRES

OVER TO TOLERANCE

DATE

REFERENCE CODES

TITLE

SCHEMATIC - CRT DISPLAY GEN

UNLESS OTHERWISE SPECIFIED:

DIMENSIONS IN MILLIMETRES

OVER TO TOLERANCE

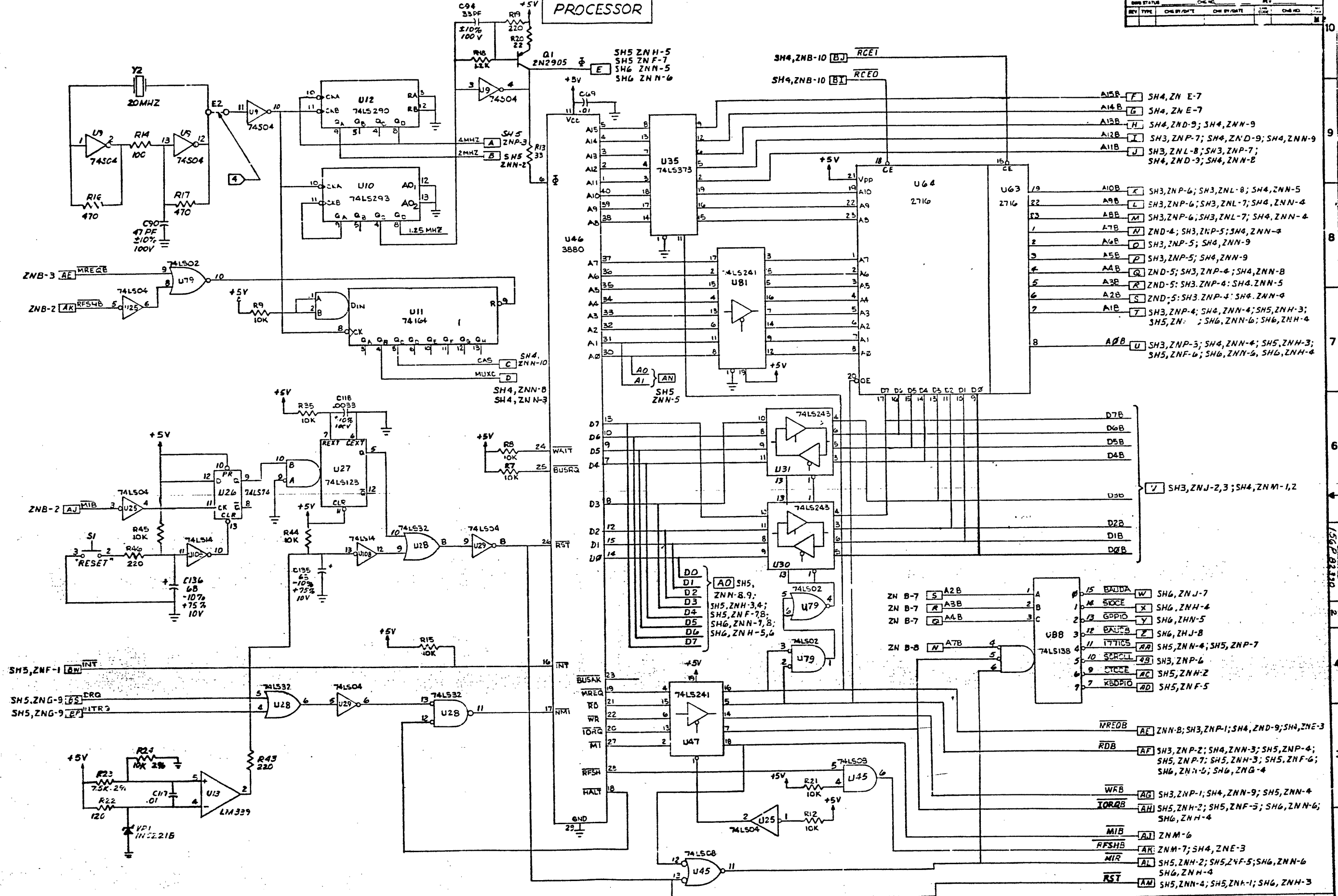
DATE

REFERENCE CODES

TITLE

SCHEMATIC - CRT DISPLAY GEN

PROCESSOR



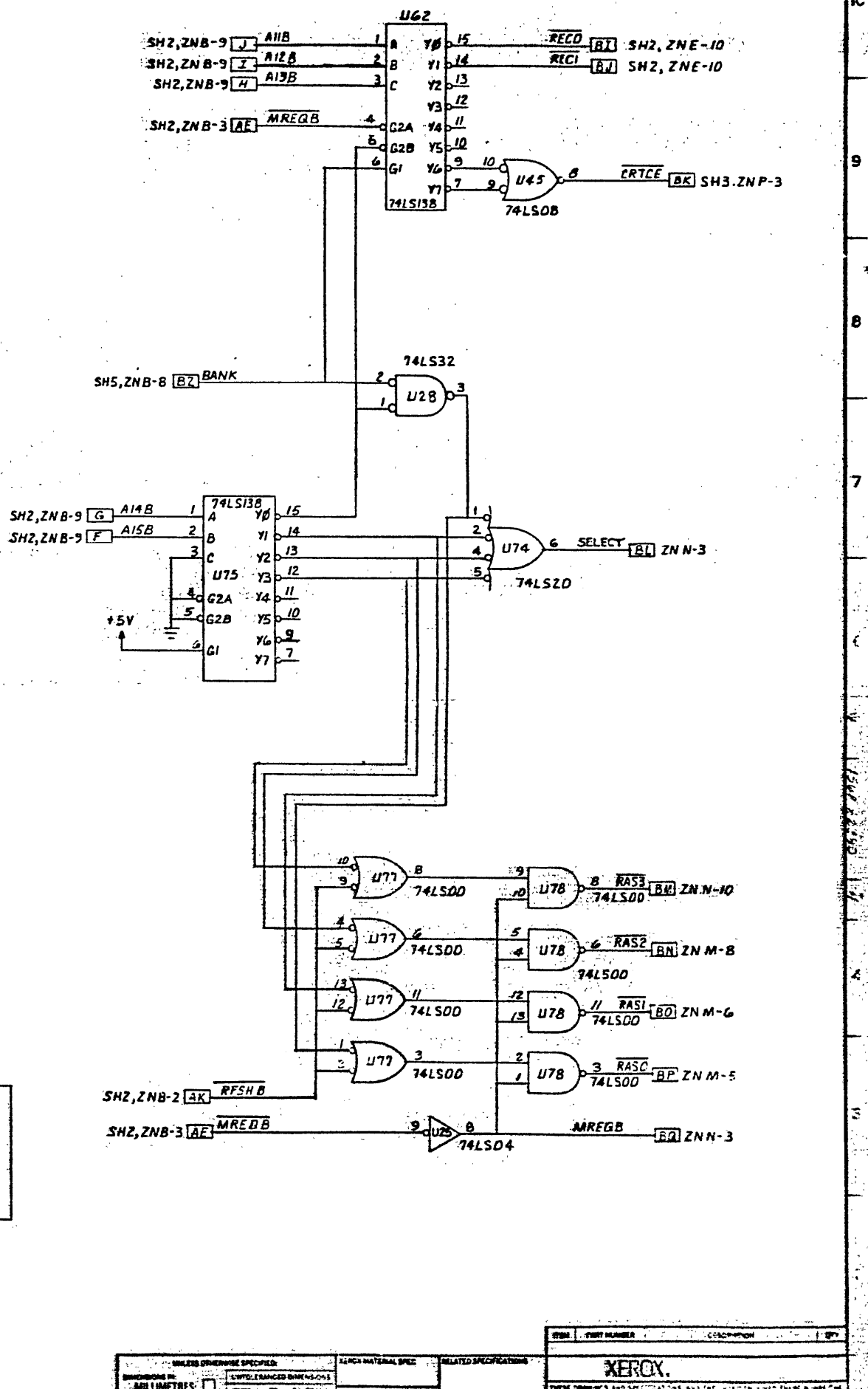
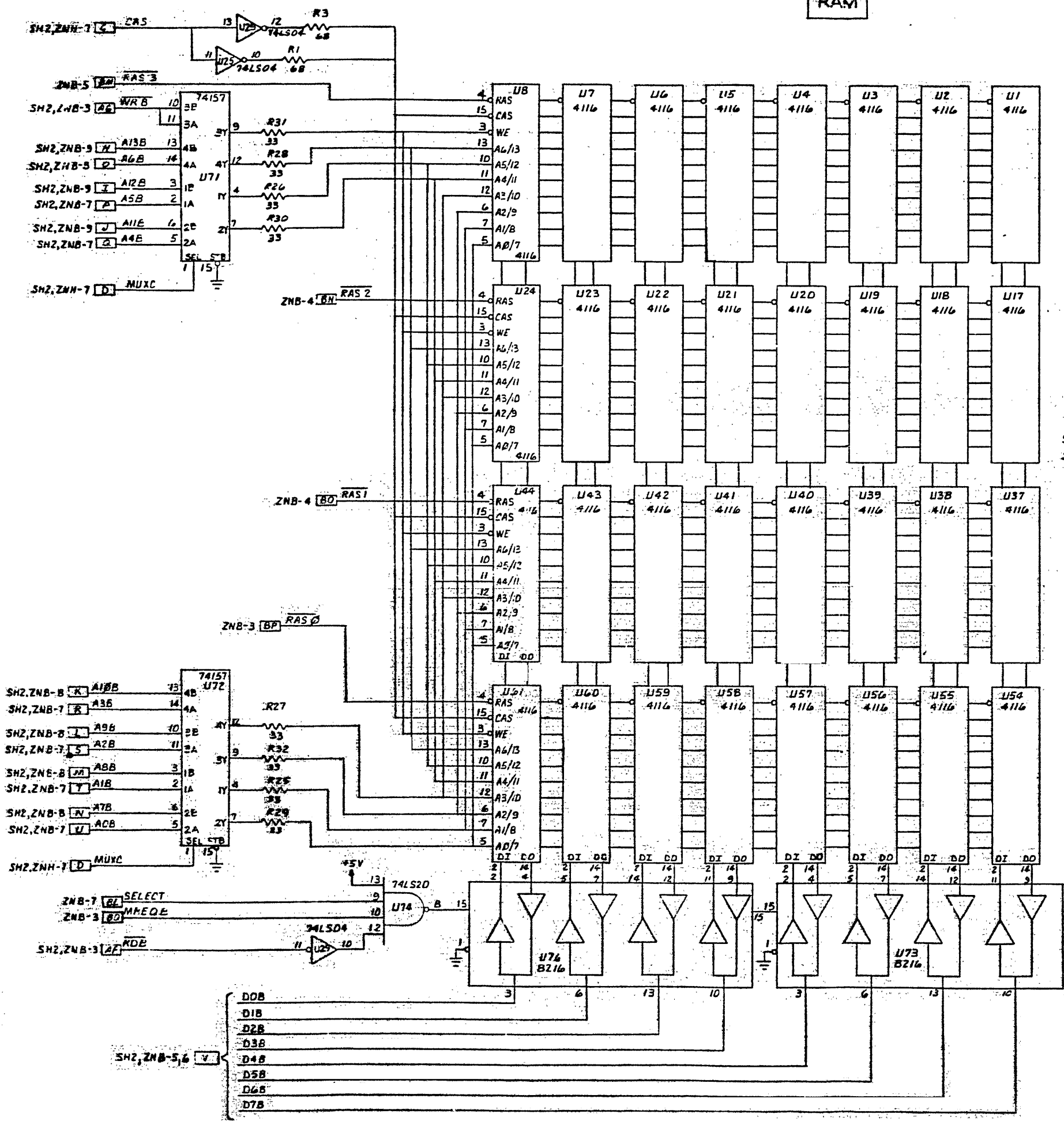
REV	TYPE	CHK BY/DATE	CHK BY/DATE	QTY	CHK BY/DATE

- A15B F SH4, ZN E-7
- A14B G SH4, ZN E-7
- A13B H SH4, ZND-9; SH4, ZNN-9
- A12B I SH3, ZNP-7; SH4, ZND-9; SH4, ZNN-9
- A11B J SH3, ZNL-8; SH3, ZNP-7; SH4, ZND-9; SH4, ZNN-8
- A10B K SH3, ZNP-6; SH3, ZNL-8; SH4, ZNN-5
- A9B L SH3, ZNP-6; SH3, ZNL-7; SH4, ZNN-4
- A8B M SH3, ZNP-6; SH3, ZNL-7; SH4, ZNN-4
- A7B N ZND-4; SH3, ZNP-5; SH4, ZNN-4
- A6B O SH3, ZNP-5; SH4, ZNN-9
- A5B P SH3, ZNP-5; SH4, ZNN-9
- A4B Q ZND-5; SH3, ZNP-4; SH4, ZNN-8
- A3B R ZND-5; SH3, ZNP-4; SH4, ZNN-5
- A2B S ZND-5; SH3, ZNP-4; SH4, ZNN-4
- A1B T SH3, ZNP-4; SH4, ZNN-4; SH5, ZNN-3; SH5, ZN ; SH6, ZNN-6; SH6, ZNN-4
- A0B U SH3, ZNP-3; SH4, ZNN-4; SH5, ZNN-3; SH5, ZNF-6; SH6, ZNN-6; SH6, ZNN-4
- D7B V SH3, ZNJ-2,3; SH4, ZNM-1,2
- D6B W SH6, ZNJ-7
- D5B X SH6, ZNH-4
- D4B Y SH6, ZNH-5
- D3B Z SH6, ZNJ-8
- D2B AA SH5, ZNN-4; SH5, ZNP-7
- D1B AB SH3, ZNP-6
- D0B AC SH5, ZNH-2
- D7B AD SH5, ZNF-5
- NREOB AE ZNN-8; SH3, ZNP-1; SH4, ZND-9; SH4, ZNE-3
- RDB AF SH3, ZNP-2; SH4, ZNN-3; SH5, ZNP-4; SH5, ZNP-7; SH5, ZNH-3; SH5, ZNF-6; SH6, ZNH-5; SH6, ZNG-4
- WFB AG SH3, ZNP-1; SH4, ZNN-9; SH5, ZNN-4
- TORQB AH SH5, ZNH-2; SH5, ZNF-5; SH6, ZNN-6; SH6, ZNH-4
- MIB AJ ZNN-6
- RFSHB AK ZNN-7; SH4, ZNE-3
- MIR AL SH5, ZNH-2; SH5, ZNF-5; SH6, ZNN-6; SH6, ZNH-4
- RST AM SH5, ZNN-4; SH5, ZNH-1; SH6, ZNH-3

UNLESS OTHERWISE SPECIFIED		REWORK MATERIAL SPEC	RELATED SPECIFICATIONS
DIMENSIONS IN MILLIMETRES	UNLESS OTHERWISE SPECIFIED	REWORK MATERIAL SPEC	RELATED SPECIFICATIONS
DIMENSIONS IN INCHES	UNLESS OTHERWISE SPECIFIED	REWORK MATERIAL SPEC	RELATED SPECIFICATIONS
REFER TO FOR DIM INTERPRETATION	UNLESS OTHERWISE SPECIFIED	REWORK MATERIAL SPEC	RELATED SPECIFICATIONS
THIS DRAWING IS THE PROPERTY OF XEROX CORPORATION AND IS TO BE KEPT IN CONFIDENTIALITY. IT IS TO BE USED ONLY FOR THE PURPOSES SPECIFIED IN THE ORDER AND IS NOT TO BE REPRODUCED OR TRANSMITTED IN ANY FORM OR BY ANY MEANS, ELECTRONIC OR MECHANICAL, INCLUDING PHOTOCOPYING, RECORDING, OR BY ANY INFORMATION STORAGE AND RETRIEVAL SYSTEM. XEROX CORPORATION IS NOT RESPONSIBLE FOR ANY DAMAGE TO PERSONS OR PROPERTY ARISING FROM THE USE OF THIS DRAWING.	UNLESS OTHERWISE SPECIFIED	REWORK MATERIAL SPEC	RELATED SPECIFICATIONS
XEROX.			
THESE DIMENSIONS AND SPECIFICATIONS ARE THE DATA CONTAINED THEREIN ARE THE EXCLUSIVE PROPERTY OF XEROX CORPORATION AND ARE NOT TO BE REPRODUCED OR TRANSMITTED IN ANY FORM OR BY ANY MEANS, ELECTRONIC OR MECHANICAL, INCLUDING PHOTOCOPYING, RECORDING, OR BY ANY INFORMATION STORAGE AND RETRIEVAL SYSTEM. XEROX CORPORATION IS NOT RESPONSIBLE FOR ANY DAMAGE TO PERSONS OR PROPERTY ARISING FROM THE USE OF THIS DRAWING.			
TITLE: SCHEMATIC - CPU			
DRAWING NUMBER: 86P8289D			

RAM

REV	TYPE	CHK BY/DATE	CHK BY/DATE	REV	CHK BY/DATE



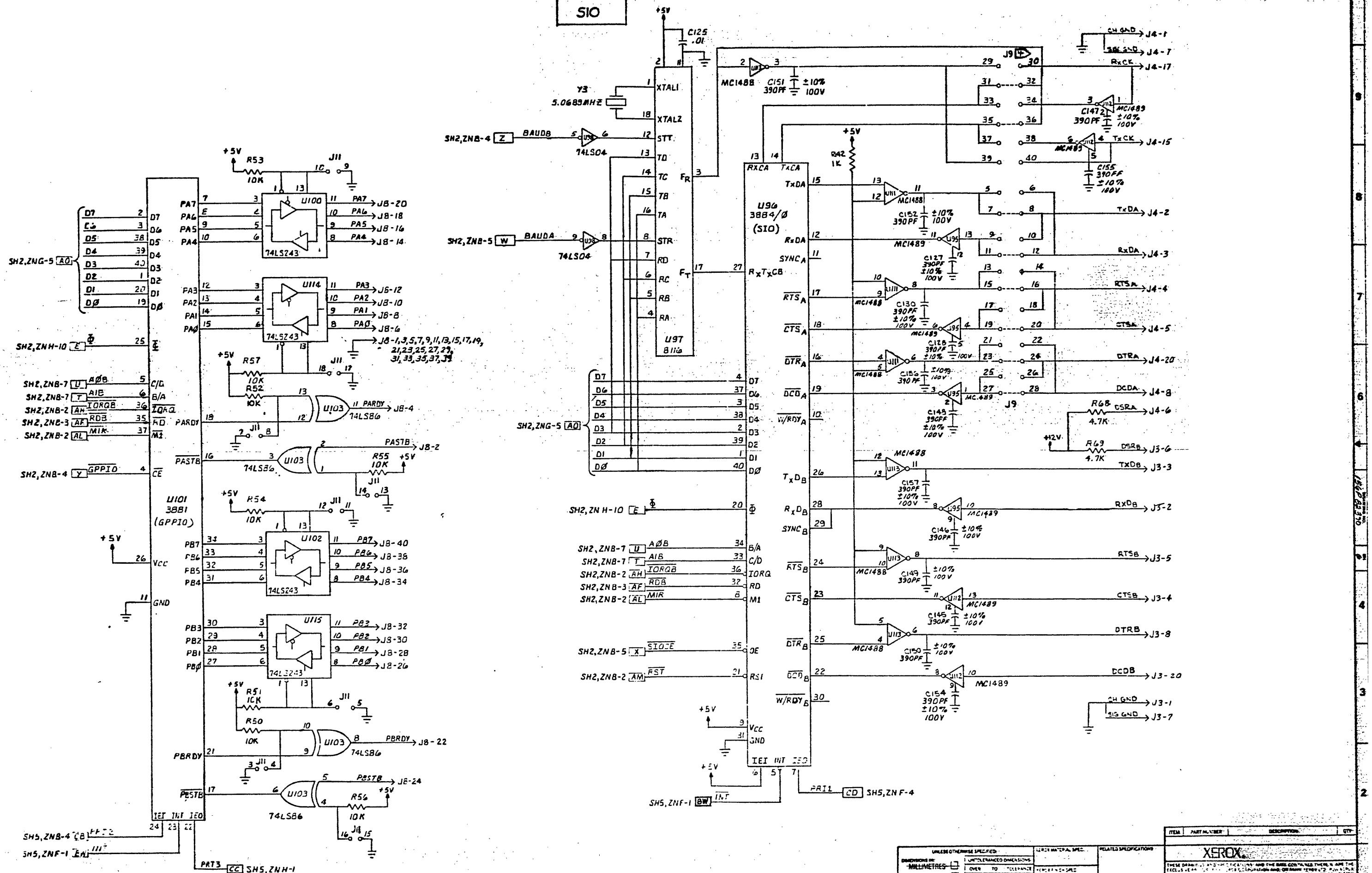
UNIT	UNIT NUMBER	DESCRIPTION	REV

UNLESS OTHERWISE SPECIFIED:	LENEX MATERIAL SPEC	RELATED SPECIFICATIONS
DIMENSIONS IN: MILLIMETERS <input type="checkbox"/> INCHES <input type="checkbox"/>	TOLERANCES UNLESS OTHERWISE SPECIFIED:	

XEROX	

REV	DATE	BY	CHKD	APP'D

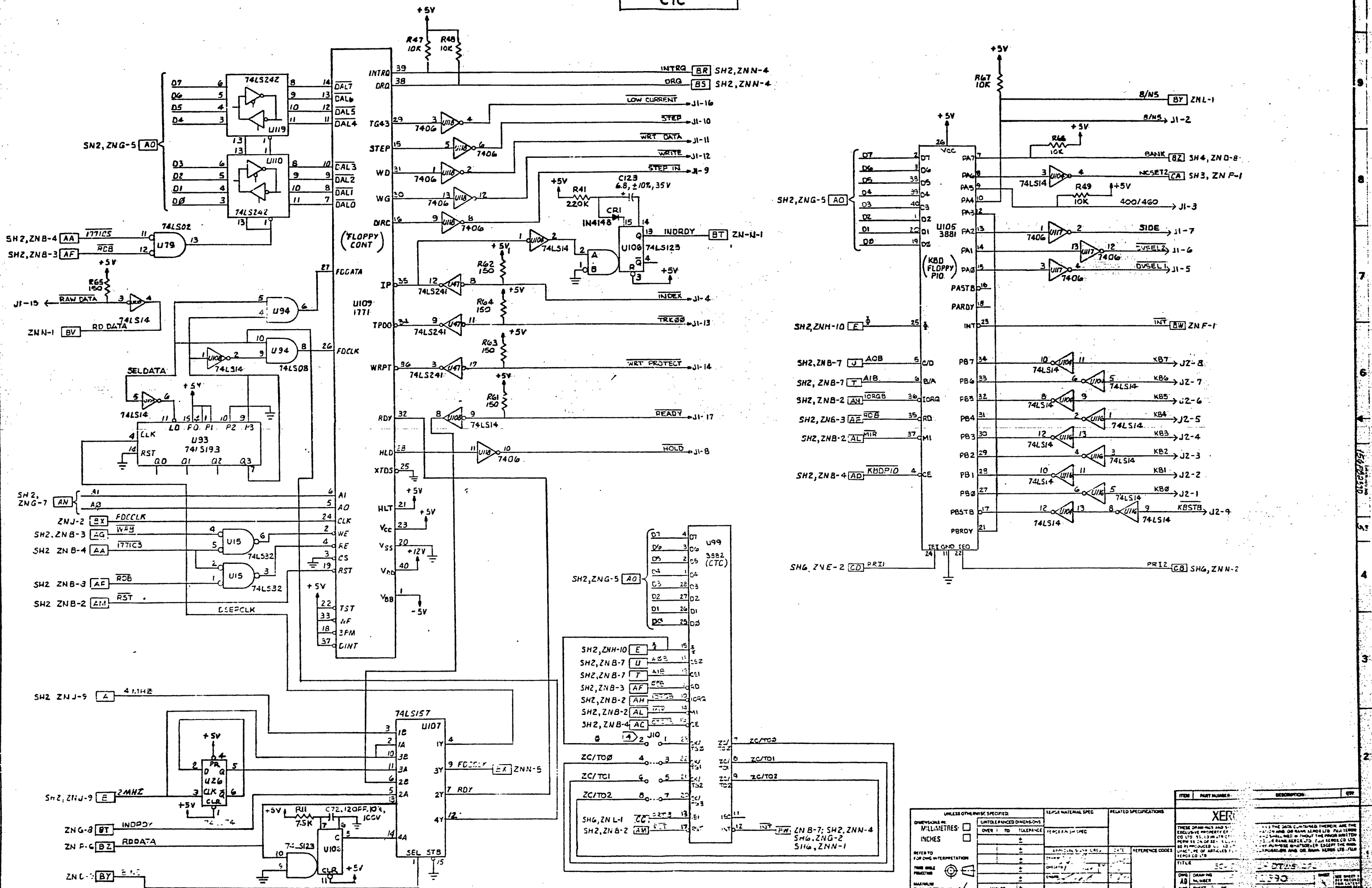
GP
PIO
SIO



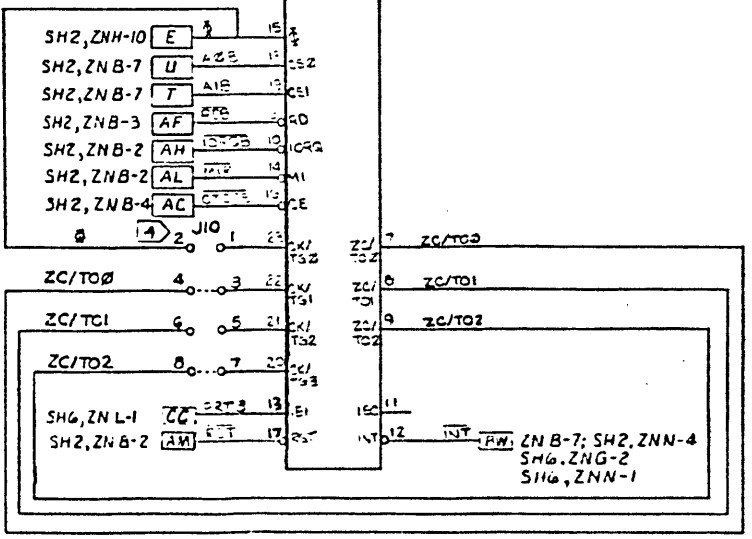
UNLESS OTHERWISE SPECIFIED:	UNLESS OTHERWISE SPECIFIED:	RELATED SPECIFICATIONS:
DIMENSIONS IN MILLIMETRES <input type="checkbox"/>	TOLERANCES UNLESS OTHERWISE SPECIFIED:	
DIMENSIONS IN INCHES <input checked="" type="checkbox"/>	OVER TO TOLERANCE	
REFER TO FOR DIMENSIONAL INTERPRETATION		
WELD SYMBOL		
MAXIMUM SURFACE TEXTURE		

ITEM	PART NUMBER	DESCRIPTION	QTY
XEROX			
<small>THESE DIMENSIONS AND TOLERANCES AND THE BASE CONTAINED THEREIN ARE THE RESULT OF A DESIGN AND CONSTRUCTION AND DO NOT TAKE INTO ACCOUNT THE EFFECTS OF WEAR, CORROSION, OR OTHER FACTORS WHICH MAY OCCUR IN THE COURSE OF THE LIFE OF THE PART. THE USER SHALL BE RESPONSIBLE FOR THE PROTECTION OF THE PART AGAINST SUCH FACTORS. THE USER SHALL BE RESPONSIBLE FOR THE PROTECTION OF THE PART AGAINST SUCH FACTORS. THE USER SHALL BE RESPONSIBLE FOR THE PROTECTION OF THE PART AGAINST SUCH FACTORS.</small>			
TITLE: SIO - EMULATOR DTWS, CPU			
DATE: 12/15/80	BY: [Signature]	CHKD: [Signature]	APP'D: [Signature]

FLOPPY CON/FP
KBD INPUT
CTC



- SH2,ZNG-5 [AO] D7 4 D7 U99
- SH2,ZNB-7 [U] A2B 15 382
- SH2,ZNB-7 [T] A1B 15 381
- SH2,ZNB-3 [AF] AFB 10 380
- SH2,ZNB-2 [AH] AFB 10 380
- SH2,ZNB-2 [AL] AFB 10 380
- SH2,ZNB-4 [AC] AFB 10 380



UNLESS OTHERWISE SPECIFIED:	TEMPERATURE SPEC	RELATED SPECIFICATIONS
DIMENSIONS IN MILLIMETRES:	UNLESS OTHERWISE SPECIFIED:	
INCHES:	OVER 1 TO TOLERANCE:	
REFER TO FOR DIM INTERPRETATION:		
THIS FILE:		
MAXIMUM SURFACE TEXTURE:		
ANGLES:		

ITEM	PART NUMBER	DESCRIPTION	QTY
XERO			
THESE DRAWINGS AND THE EXCLUSIVE PROPERTY OF XEROX CORPORATION. NO PARTS MAY BE REPRODUCED OR TRANSMITTED IN ANY FORM OR BY ANY MEANS, ELECTRONIC OR MECHANICAL, WITHOUT PERMISSION IN WRITING FROM XEROX CORPORATION.			
TITLE: SC-1			
DRAWN: AD			
DATE: 1990			
SHEET: 1 OF 1			