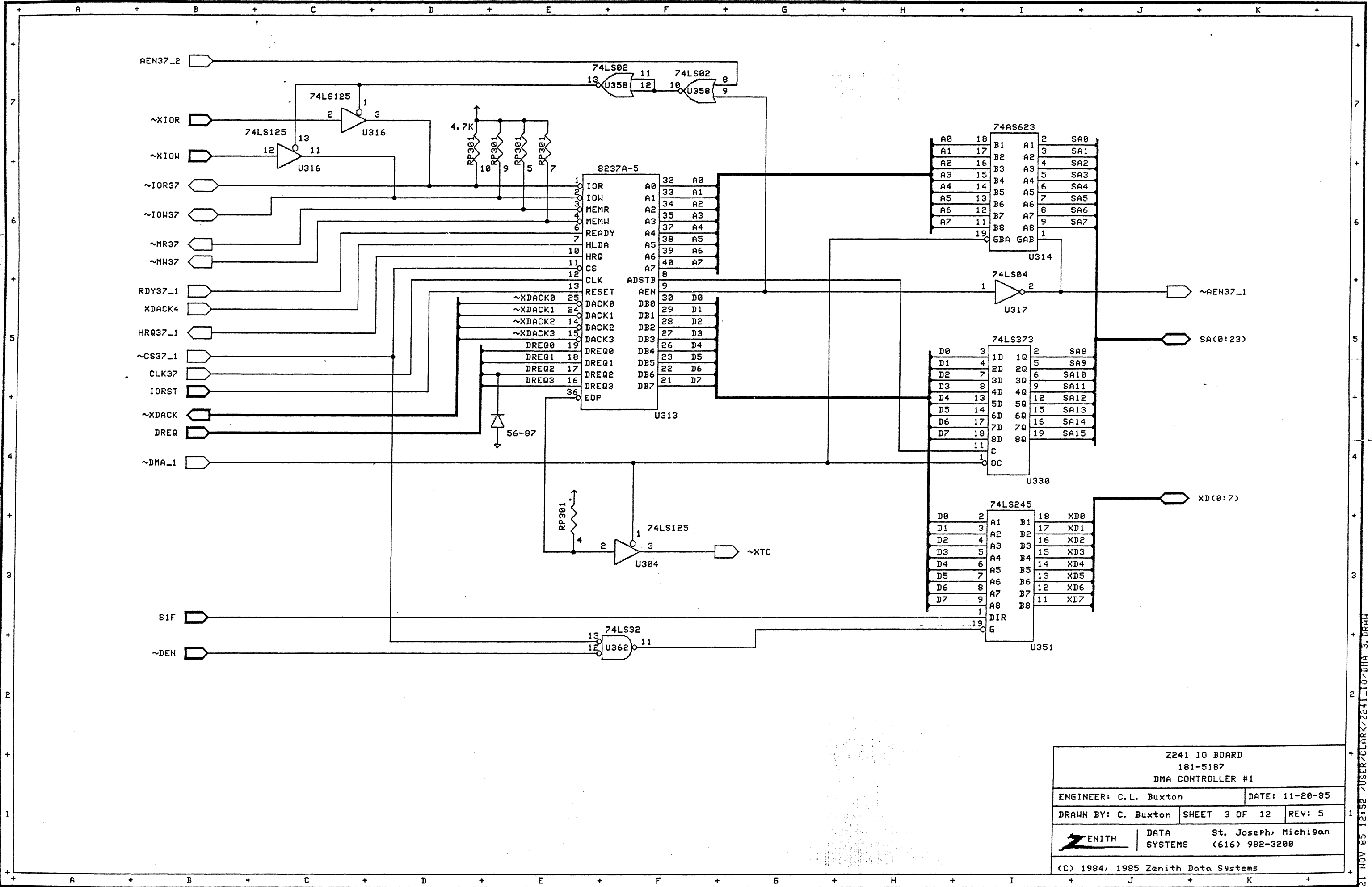


Z241 IO BOARD
181_5187
DMA PAGE REGISTER

ENGINEER: C.L. Buxton		DATE: 12-5-85
DRAWN BY: C. Buxton	SHEET 2 OF 12	REV: 5
ZENITH DATA SYSTEMS		St. Joseph, Michigan (616) 982-3200
(C) 1984, 1985 Zenith Data Systems		

22 NOV 85 09:10 USER/CLARK/241-10/DMA 1.DRAW



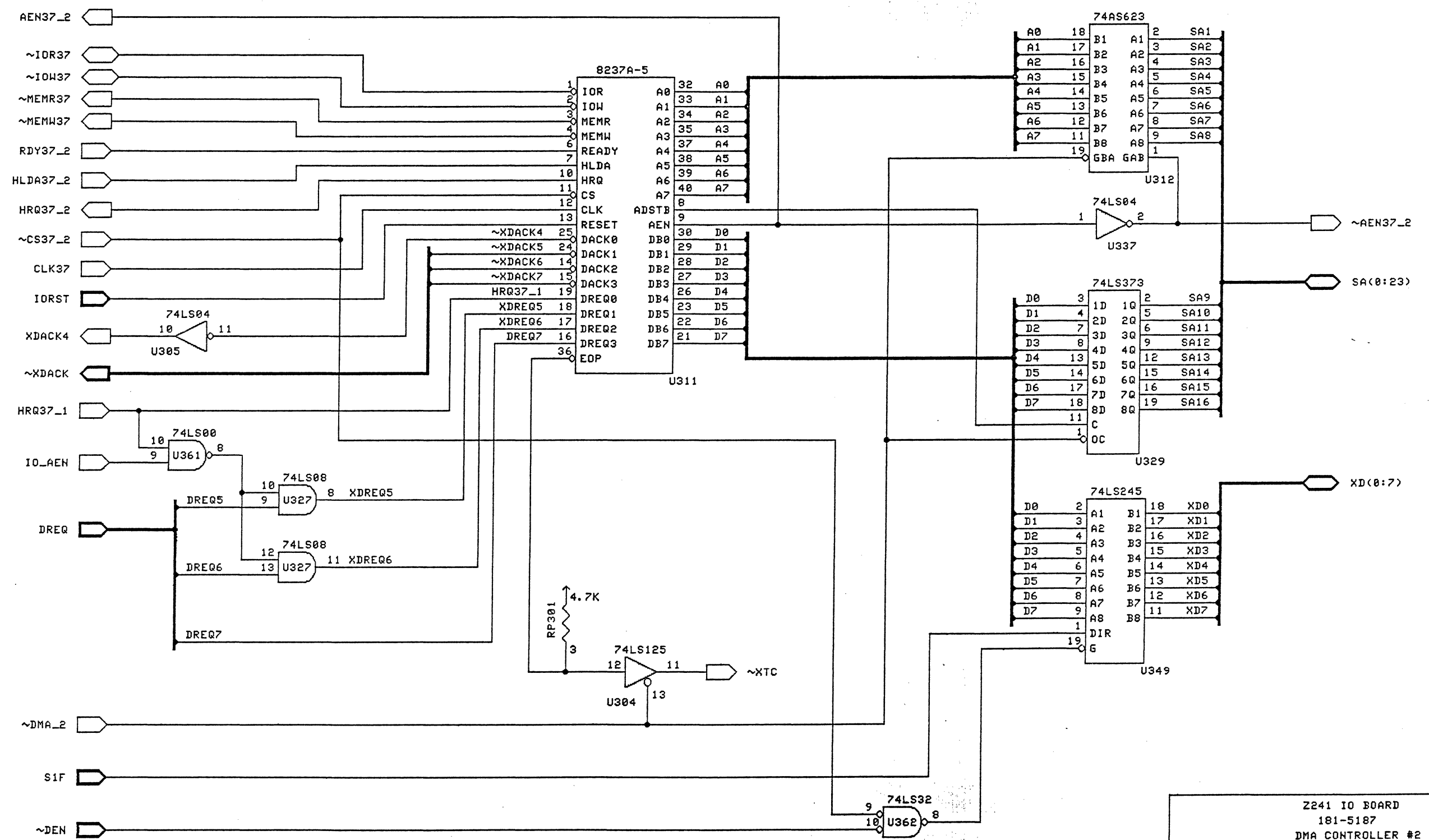
Z241 IO BOARD
181-5187
DMA CONTROLLER #1

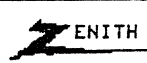
ENGINEER: C.L. Buxton	DATE: 11-20-85
DRAWN BY: C. Buxton	SHEET 3 OF 12
	REV: 5

ZENITH DATA St. Joseph, Michigan
SYSTEMS (616) 982-3200

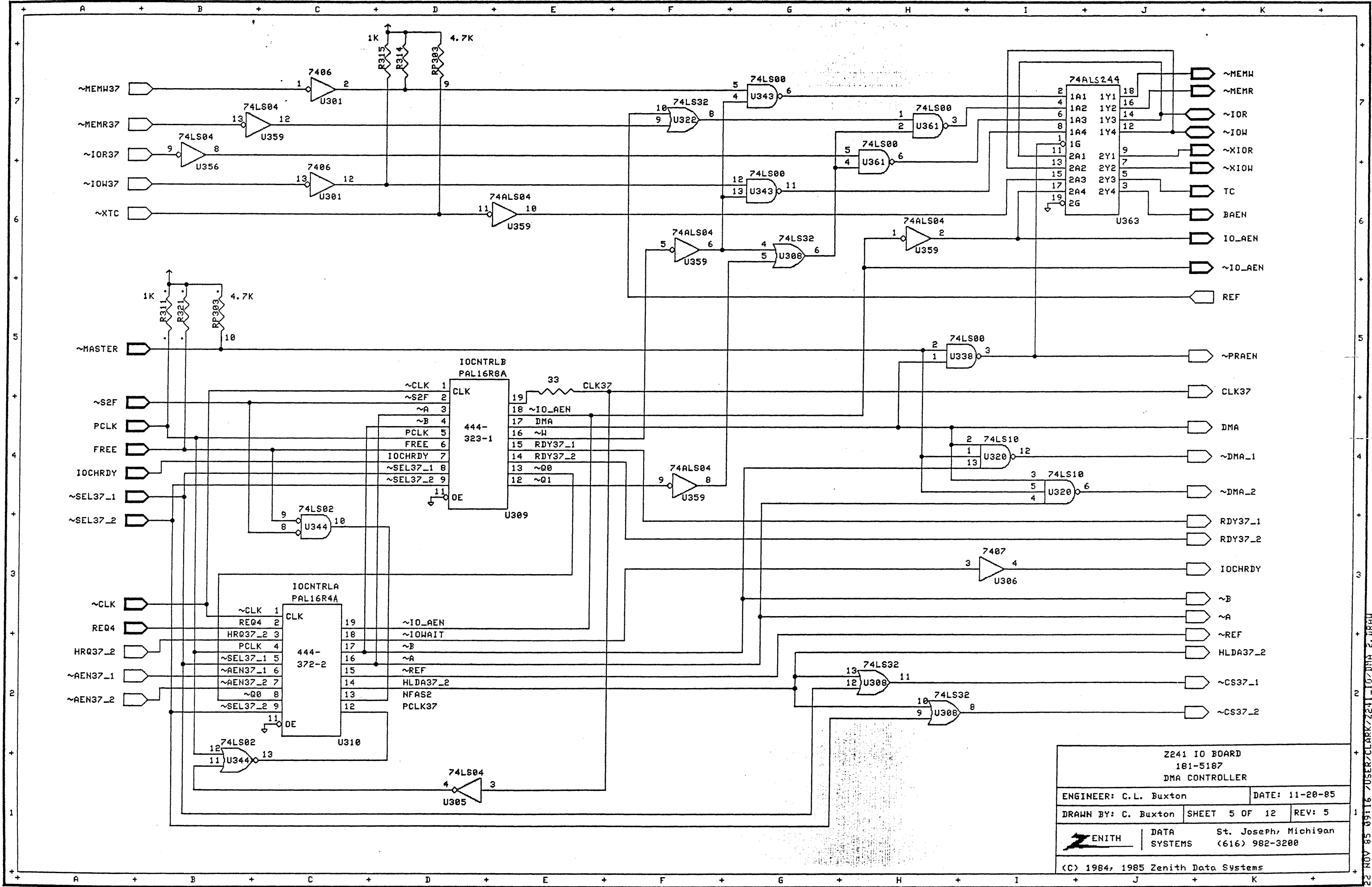
(C) 1984, 1985 Zenith Data Systems

21 NOV 85 12:52 USER/CLARK/Z241-107/DMA 3. DRAH



Z241 IO BOARD		
181-5187		
DMA CONTROLLER #2		
ENGINEER: C.L. Buxton	DATE: 11-20-85	
DRAWN BY: C. Buxton	SHEET 4 OF 12	REV: 5
 ZENITH	DATA SYSTEMS	St. Joseph, Michigan (616) 982-3200
(C) 1984, 1985 Zenith Data Systems		

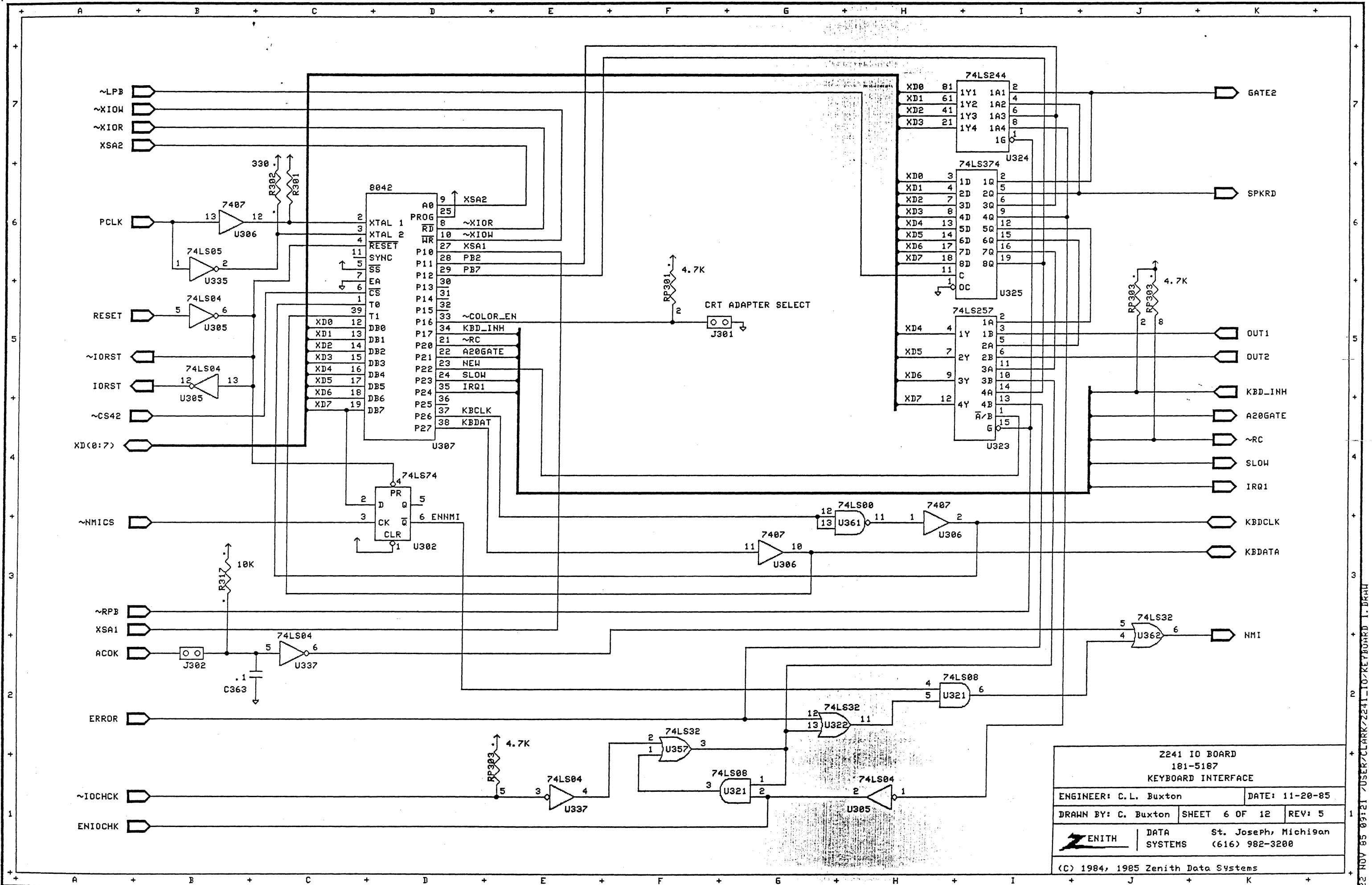
22 NOV 85 09:13 USER/CLARK/Z241_IO/DMA 4.DRAW



Z241 IO BOARD
181-5187
DMA CONTROLLER

ENGINEER: C.L. Buxton		DATE: 11-20-85
DRAWN BY: C. Buxton	SHEET 5 OF 12	REV: 5
ZENITH DATA SYSTEMS		St. Joseph, Michigan (616) 982-3200
(C) 1984, 1985 Zenith Data Systems		

22 NOV 85 09116 70SER7CLARKZ241-10/DMA 2.DRA4



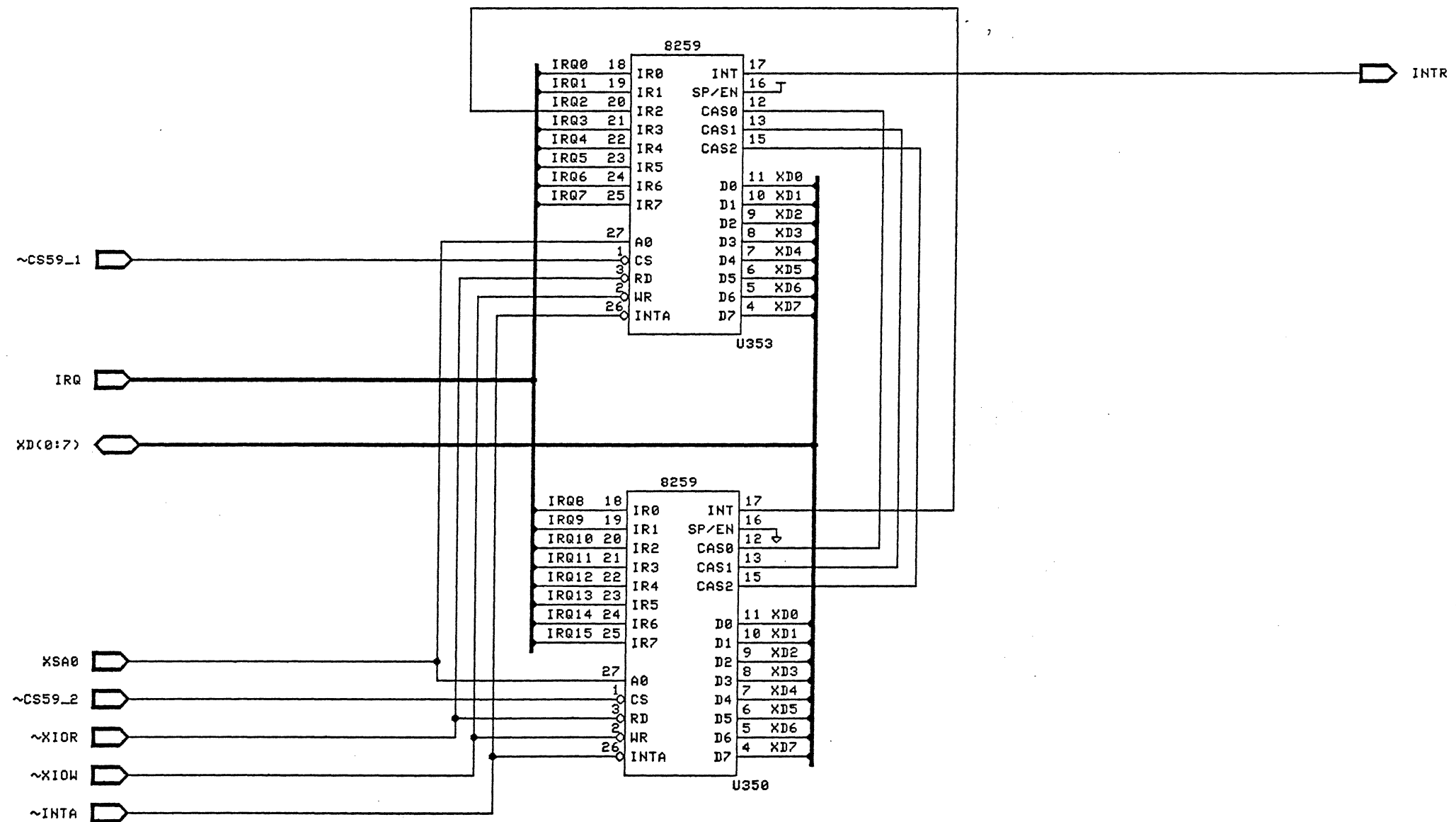
2241 IO BOARD
181-5187
KEYBOARD INTERFACE

ENGINEER: C.L. Buxton	DATE: 11-20-85
DRAWN BY: C. Buxton	SHEET 6 OF 12
	REV: 5

ZENITH DATA St. Joseph, Michigan
SYSTEMS (616) 982-3200

(C) 1984, 1985 Zenith Data Systems

22 NOV 85 09:21 USER7CLARK2241-10/KEYBOARD 1. DRGH

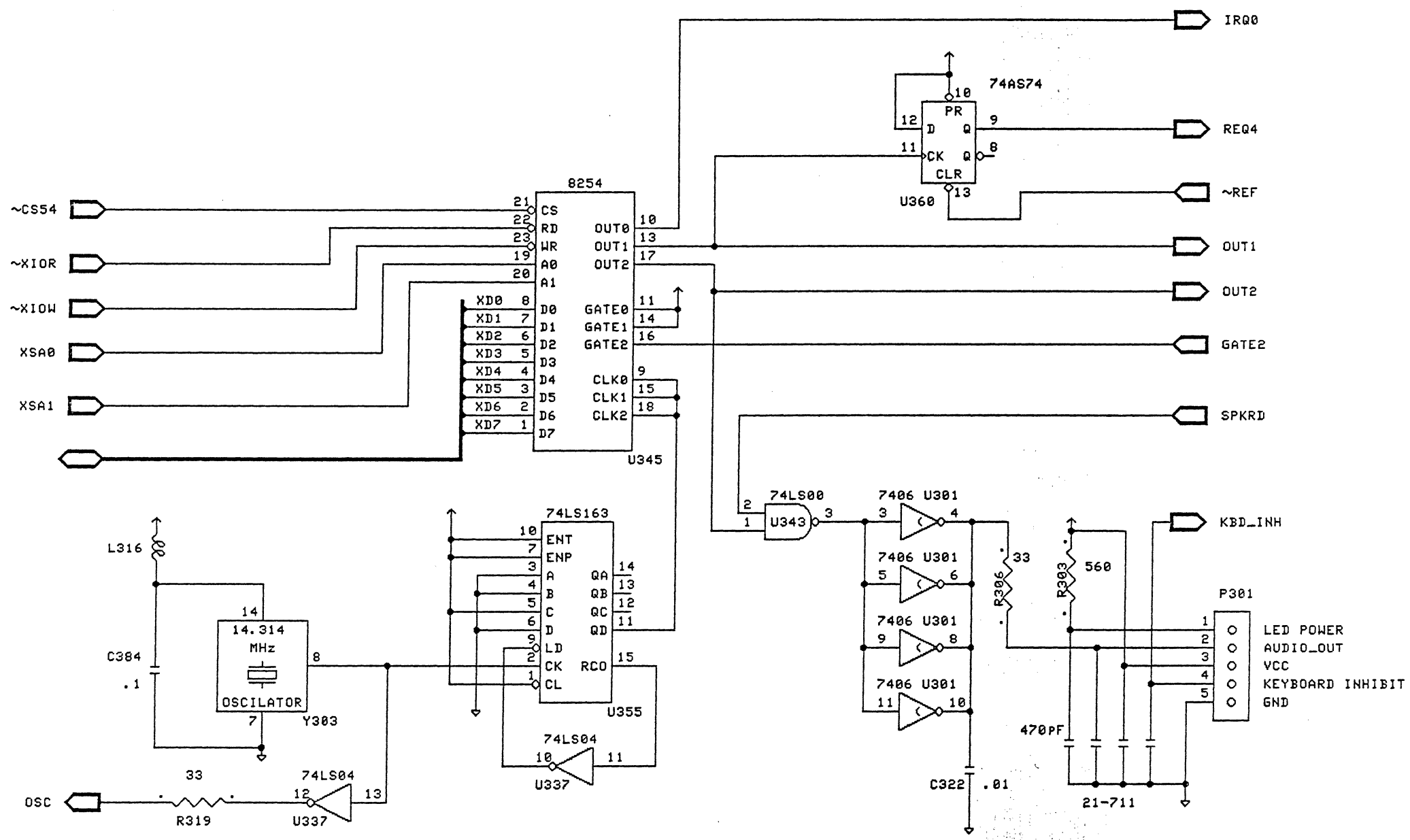


Z241 IO BOARD
181-5187
INTERRUPT CONTROLLER

ENGINEER: C. L. Buxton	DATE: 11-20-85
DRAWN BY: C. Buxton	SHEET 7 OF 12 REV: 5
ZENITH DATA SYSTEMS	St. Joseph, Michigan (616) 982-3200

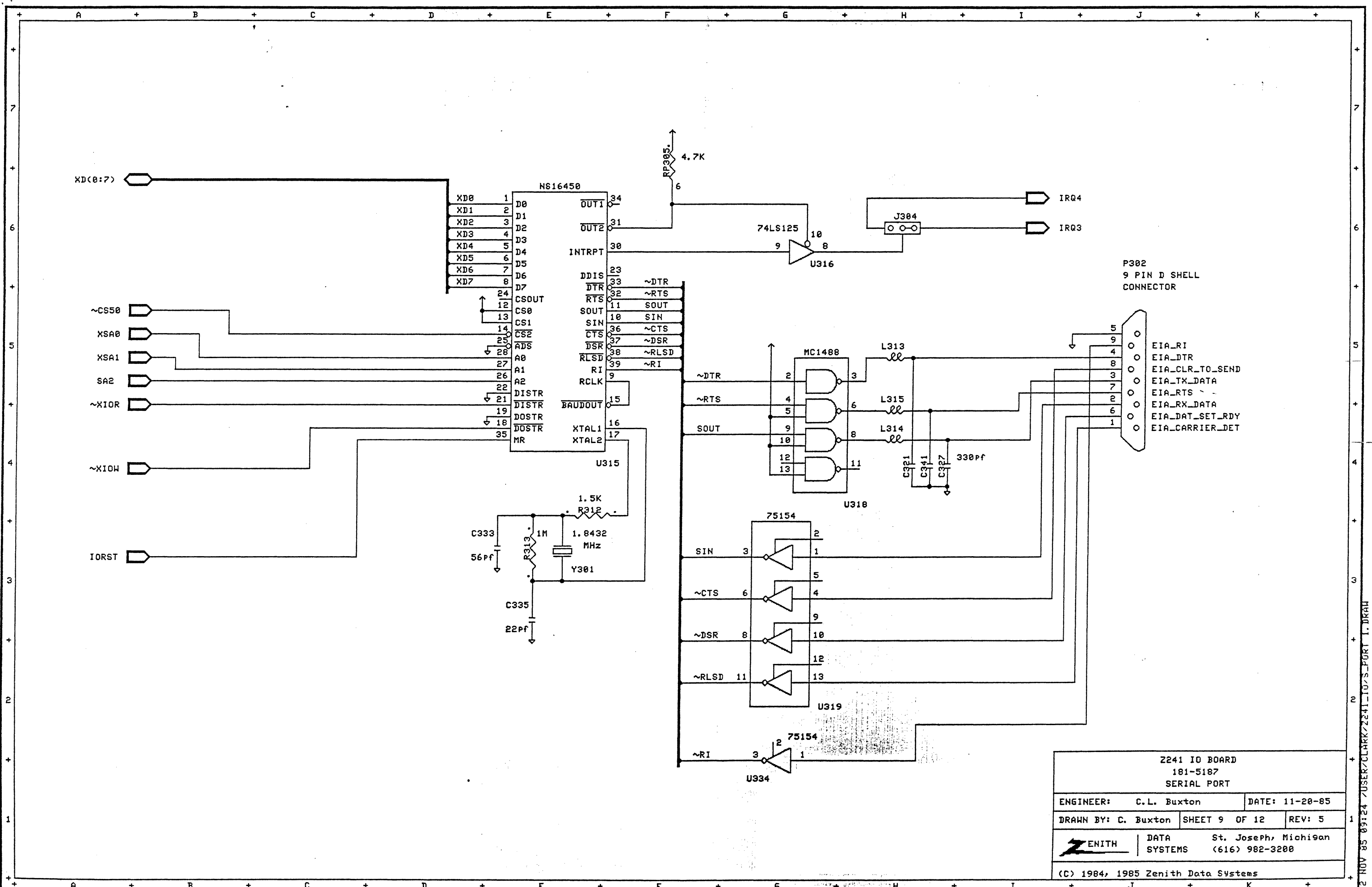
(C) 1984, 1985 Zenith Data Systems

21 NOV 85 12:57 USER:CLARK/2241-10/INTR I. DRAH



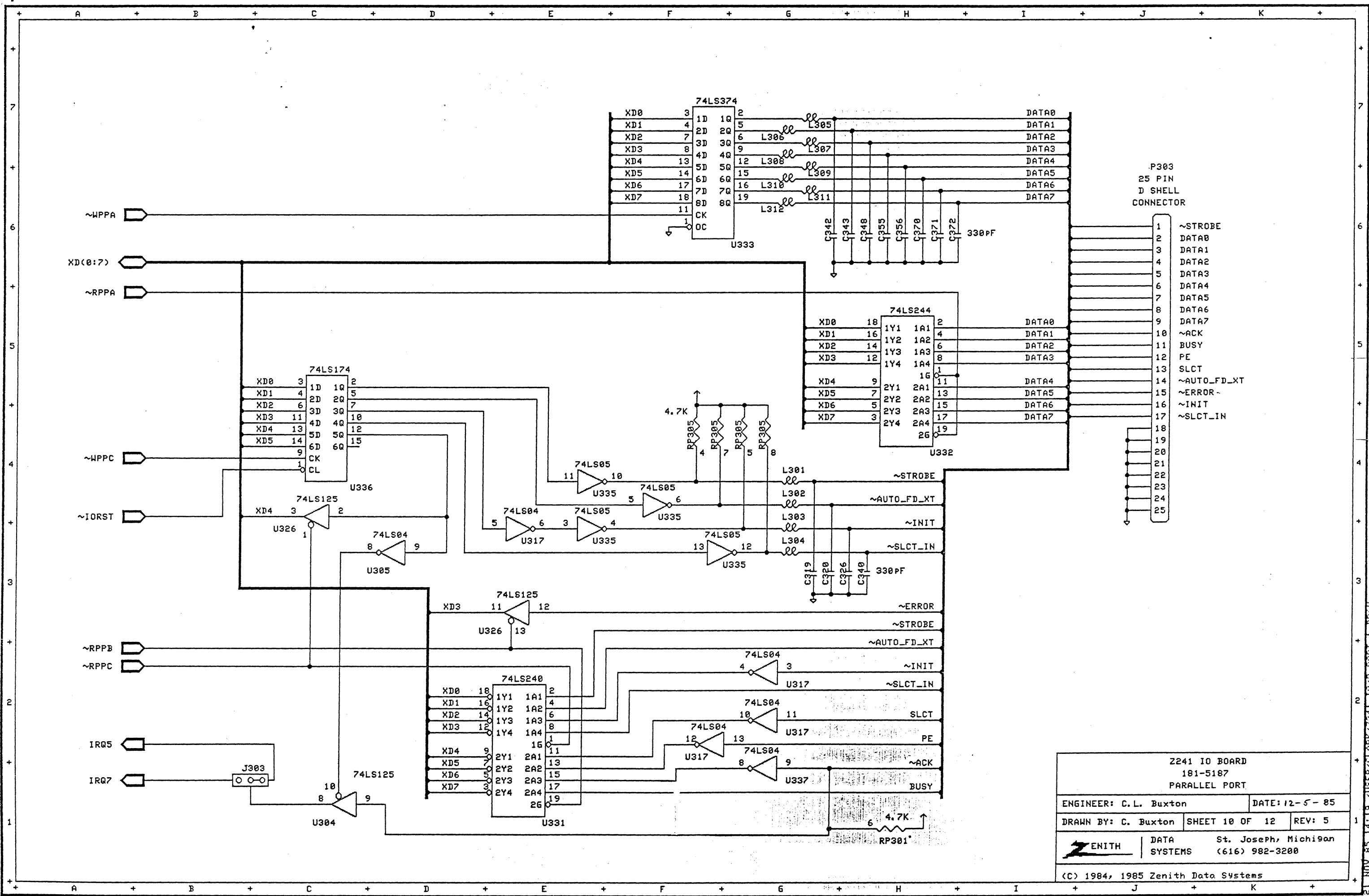
Z241 IO BOARD 181-5187 TIMER AND SPEAKER INTERFACE		
ENGINEER: C.L. Buxton	DATE: 11-20-85	
DRAWN BY: C. Buxton	SHEET 8 OF 12	REV: 5
ZENITH SYSTEMS	St. Joseph, Michigan (616) 982-3200	
(C) 1984, 1985 Zenith Data Systems		

21 NOV 85 13:45 7USER/CLARKZ241-10/TIMER I.DRAW



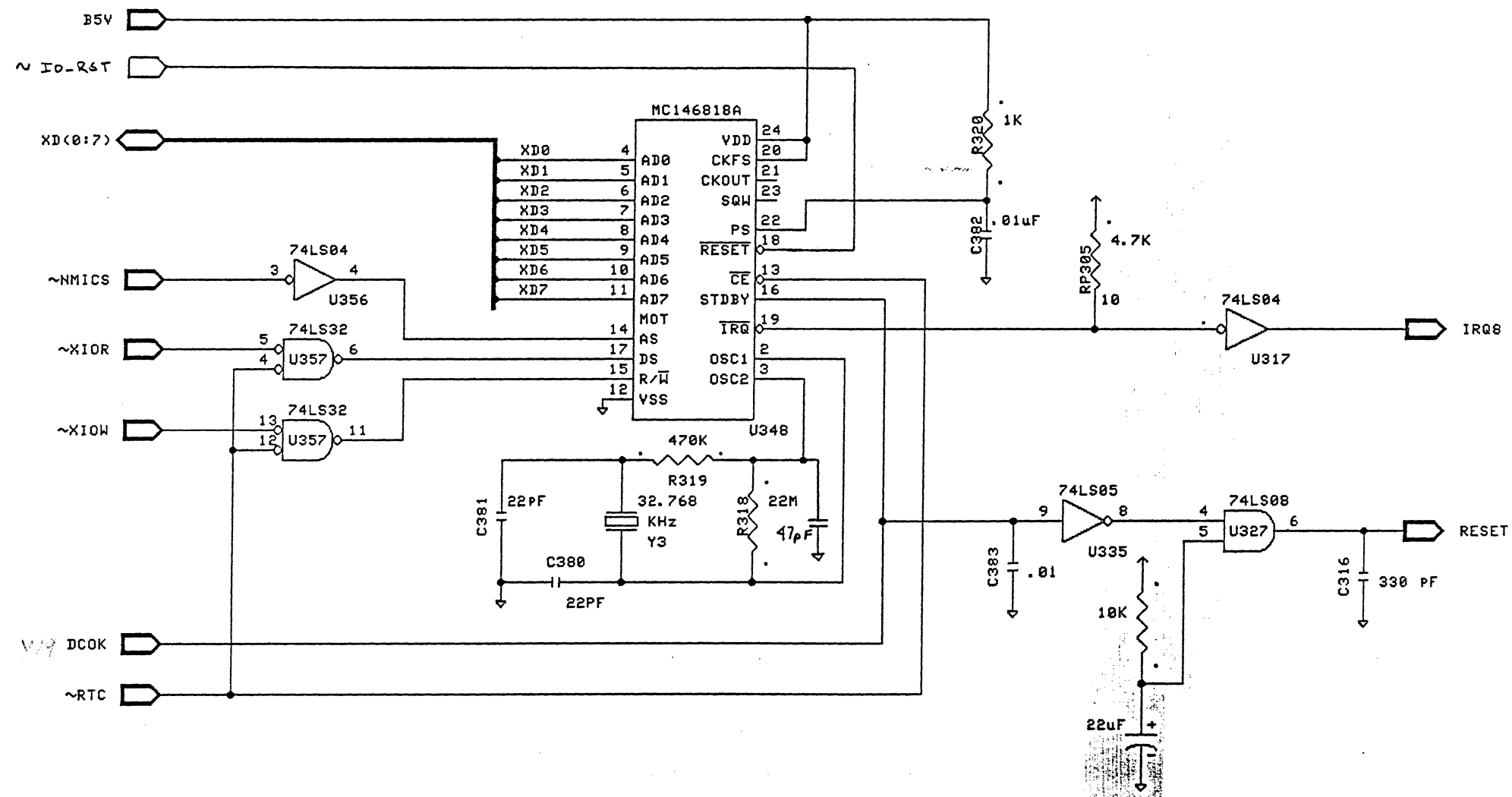
2241 IO BOARD 181-5187 SERIAL PORT		
ENGINEER: C. L. Buxton	DATE: 11-20-85	
DRAWN BY: C. Buxton	SHEET 9 OF 12	REV: 5
ZENITH	DATA SYSTEMS	St. Joseph, Michigan (616) 982-3200
(C) 1984, 1985 Zenith Data Systems		

22 NOV 85 09:24 USER/CLARK/2241-10/S-PORT 1. DRAW



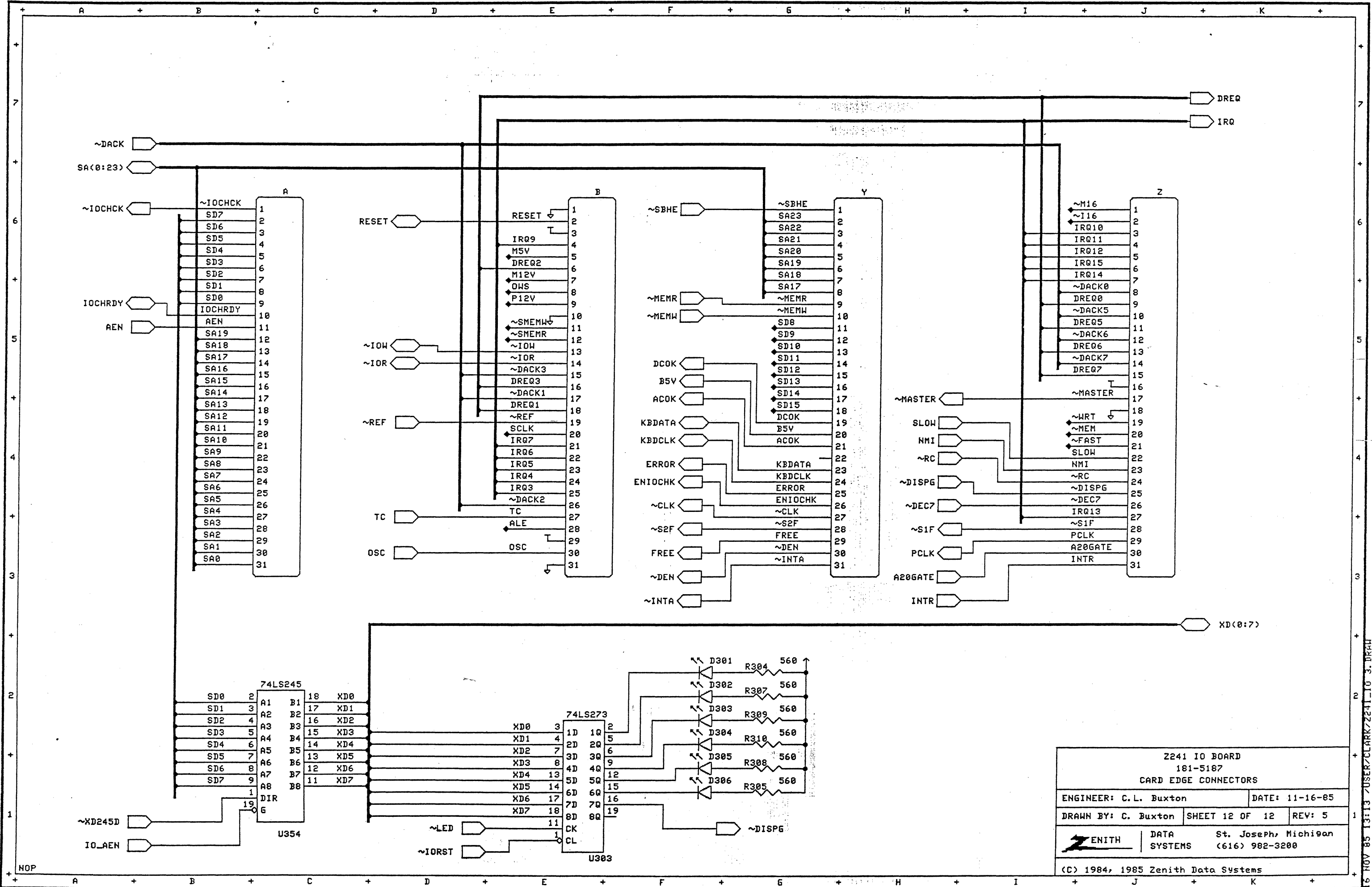
Z241 IO BOARD 181-5187 PARALLEL PORT		
ENGINEER: C. L. Buxton	DATE: 12-5-85	
DRAWN BY: C. Buxton	SHEET 10 OF 12	REV: 5
ZENITH	DATA SYSTEMS	St. Joseph, Michigan (616) 982-3200
(C) 1984, 1985 Zenith Data Systems		

21 NOV 85 14:19 USER/CLARK/Z241_I07P_PORT 1.DRAW



2241 IO BOARD		
181-5187		
REAL TIME CLOCK INTERFACE		
ENGINEER: C. L. Buxton	DATE: 2-14-85	
DRAWN BY: C. Buxton	SHEET 11 OF 12	REV: 5
ZENITH	DATA SYSTEMS	St. Joseph, Michigan (616) 982-3200
	(C) 1984, 1985 Zenith Data Systems	

21 NOV 85 14734 ZUSER/CLARK/Z241-IO/RTC I.DRAW



Z241 IO BOARD 181-5187 CARD EDGE CONNECTORS		
ENGINEER: C.L. Buxton	DATE: 11-16-85	
DRAWN BY: C. Buxton	SHEET 12 OF 12	REV: 5
ZENITH DATA SYSTEMS	St. Joseph, Michigan (616) 982-3200	
(C) 1984, 1985 Zenith Data Systems		

16 NOV 85 13:13:13 USER:CLARK/Z241-10 3. DR41