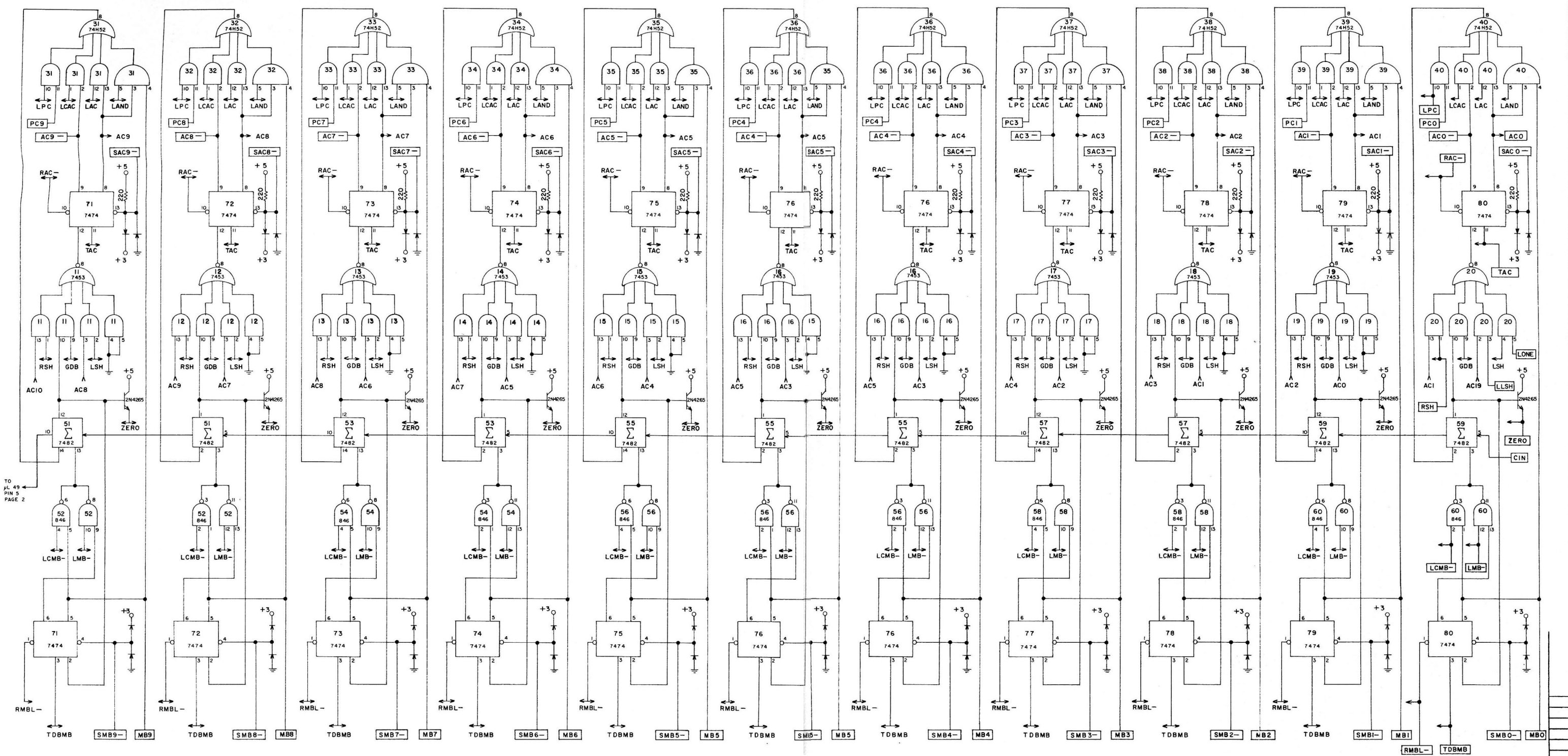


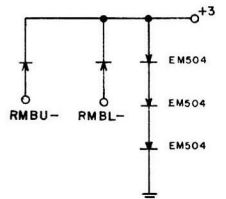
SCHEMATIC INDEX

| <u>TITLE</u> | <u>Page</u> |
|---|-------------|
| DATA REGISTER - BOARD 1 | |
| Bits 0-9 , Sheet 1 of 2 | S- 1 |
| Bits 10-19 , Sheet 2 of 2 | S- 2 |
| ADDRESS REGISTER - BOARD 2 | |
| 8 LSB - Sheet 1 of 4 | S- 3 |
| 8 MSB - Sheet 2 of 4 | S- 4 |
| Measure & Readout Scaler 1081-1085, Sheet 3 of 4 | S- 5 |
| Measure & Readout Scaler for 1089, Sheet 4 of 4 | S- 6 |
| AUTO ARITHMETIC & CONTROL - BOARD 3 | |
| Readout Control - Sheet 1 of 4 | S- 7 |
| Shift Control - Sheet 2 of 4 | S- 8 |
| Automatic Arithmetic - Sheet 3 of 4 | S- 9 |
| MQ Register - Sheet 4 of 4 | S-10 |
| DATA PROCESSOR CONTROL - BOARD 4 | |
| IOP Generator Test & Miscellaneous - Sheet 1 of 3 | S-11 |
| Data Processor Control - Sheet 2 of 3 | S-12 |
| Program Pulser - Sheet 3 of 3 | S-13 |
| DISPLAY REGISTERS - BOARD 5 | |
| Display Registers - Sheet 1 of 2 | S-14 |
| Display Register Control - Sheet 2 of 2 | S-15 |
| TELETYPE CONTROL BOARD 11 | S-16 |
| MEMORY BANK | |
| Sense Amplifier - Memory Board 1 | S-17 |
| Inhibit Driver - Memory Board 2 | S-18 |
| Address Driver - Memory Board 3 | S-19 |
| Address Driver - Memory Board 6 | S-20 |
| FRONT PANEL CONTROLS | S-21 |
| AUTOSTOP DISPLAY/COUNTER/DRIVER | S-22 |
| FRONT PANEL CONNECTOR - BOARD D-2 | S-23 |
| MODEL 290 DISPLAY/CONTROL | S-24 |
| POWER SUPPLY (in 290) | S-25 |
| POWER SUPPLY (in 1080E) | S-26 |
| SD-82 ANALOG TO DIGITAL CONVERTER | |
| Analog Board - Location D | S-27 |
| A/D Data Scaler - Location G | S-28 |
| Control Logic - Location H | S-29 |
| SW-80 SWEEP CONTROL | |
| Frequency Divider - Location C | S-30 |
| Address Cursor - Location E | S-31 |
| Ramp Generator - Location G | S-32 |
| Control Logic - Location H | S-33 |

| REVISIONS | | | |
|-----------|-------------|------|----------|
| SYM. ZONE | DESCRIPTION | DATE | APPROVED |
| | | | |



TO
µL 49
PIN 5
PAGE 2

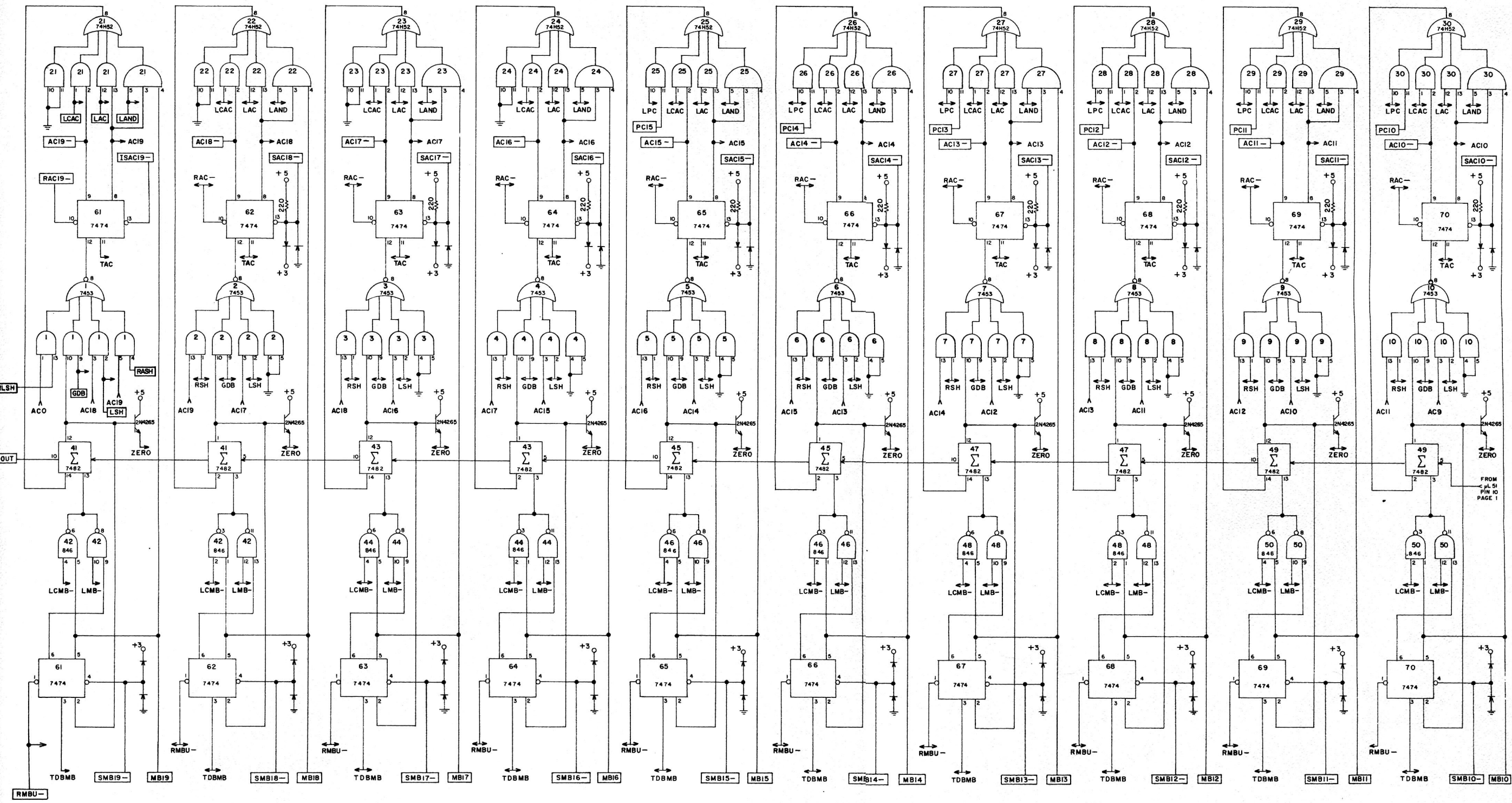


| | | | | | |
|---|--|---|--|--|--|
| UNLESS OTHERWISE SPECIFIED DIMENSIONS ARE IN INCHES AND TOLERANCES ARE FRACTIONS DECIMALS ANGLES ± ± ± ✓ INDICATED SURFACE ROUGHNESS PER MIL-STD-10 | | REMOVE ALL BURRS BREAK ALL SHARP CORNERS | | NICOLET INSTRUMENT CORPORATION 5225 Verona Road, Madison, Wisconsin 53711 | |
| DRAWN Gwj | | DATE | | TITLE BITS 0-9 of DATA REGISTER 1080 | |
| CHECKED | | APPROVED | | CODE IDENT. NO. | |
| APPROVED | | APPROVED | | SIZE D (BOARD 1) | |
| SPEC. FINISH | | SPEC. | | SCALE | |
| NEXT ASSY USED ON APPLICATION | | DATE | | SHEET 1 of 2 | |

REV.

DIST. KEY

| REVISIONS | | |
|-----------|-------------|---------------|
| SYM. ZONE | DESCRIPTION | DATE APPROVED |
| | | |



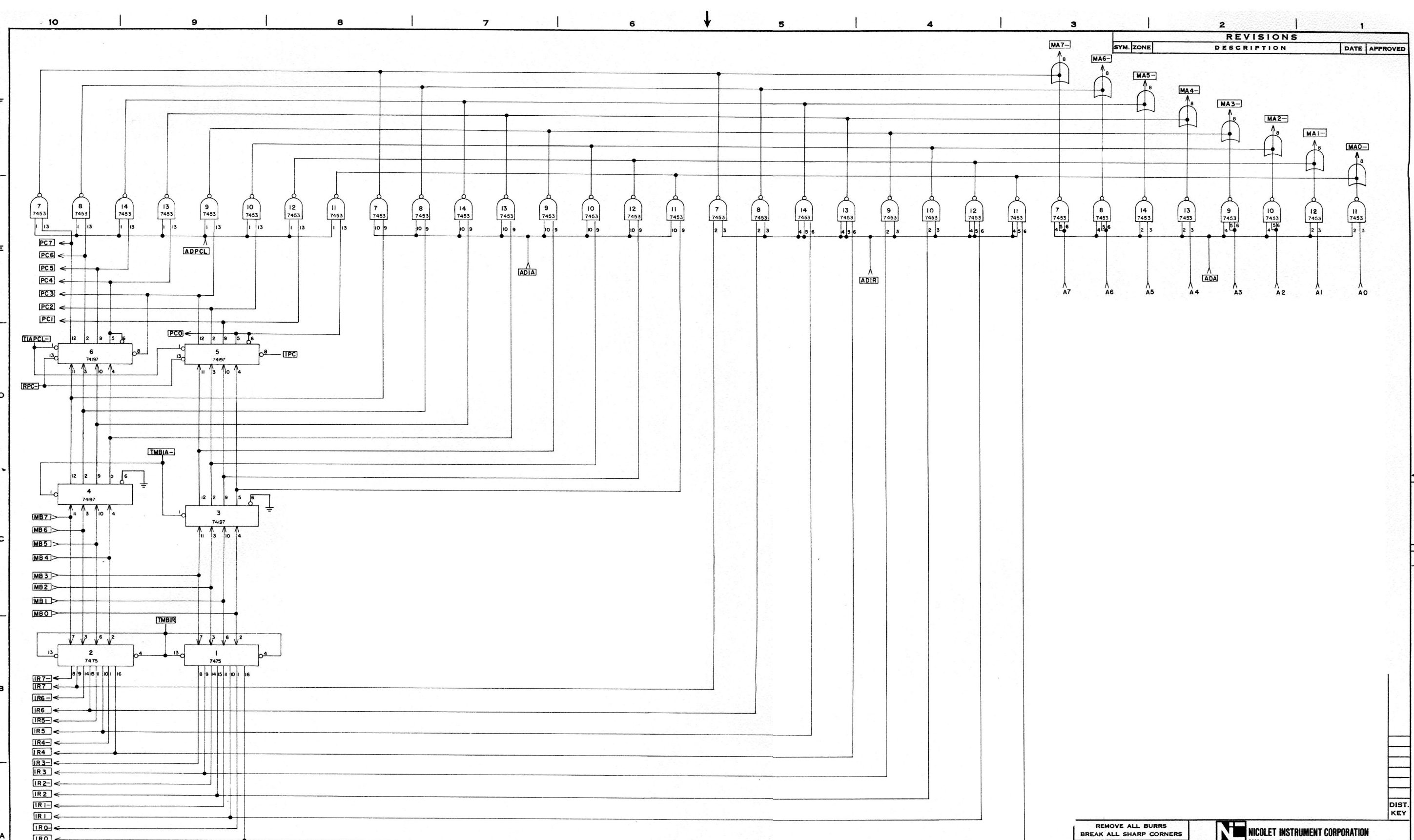
FROM
PIN 10
PAGE 1

REV.

DIST. KEY

| | | | | |
|--|---|------|---|-------|
| UNLESS OTHERWISE SPECIFIED DIMENSIONS ARE IN INCHES AND TOLERANCES ARE FRACTIONS DECIMALS ANGLES ± INDICATES SURFACE ROUGHNESS PER MIL-STD-10 | REMOVE ALL BURRS BREAK ALL SHARP CORNERS | | NICOLET INSTRUMENT CORPORATION 5225 Verona Road, Madison, Wisconsin 53711 | |
| | DRAWN | DATE | | TITLE |
| | CHECKED | | | |
| | APPROVED | | | |
| MATERIAL | | | | |
| SPEC. FINISH | | | | |
| NEXT ASSY' USED ON APPLICATION | | | | |
| | | | | |

BITS 10-19 of DATA REGISTER
 1080
 (BOARD 1)
 SCALE SHEET 2 of 2

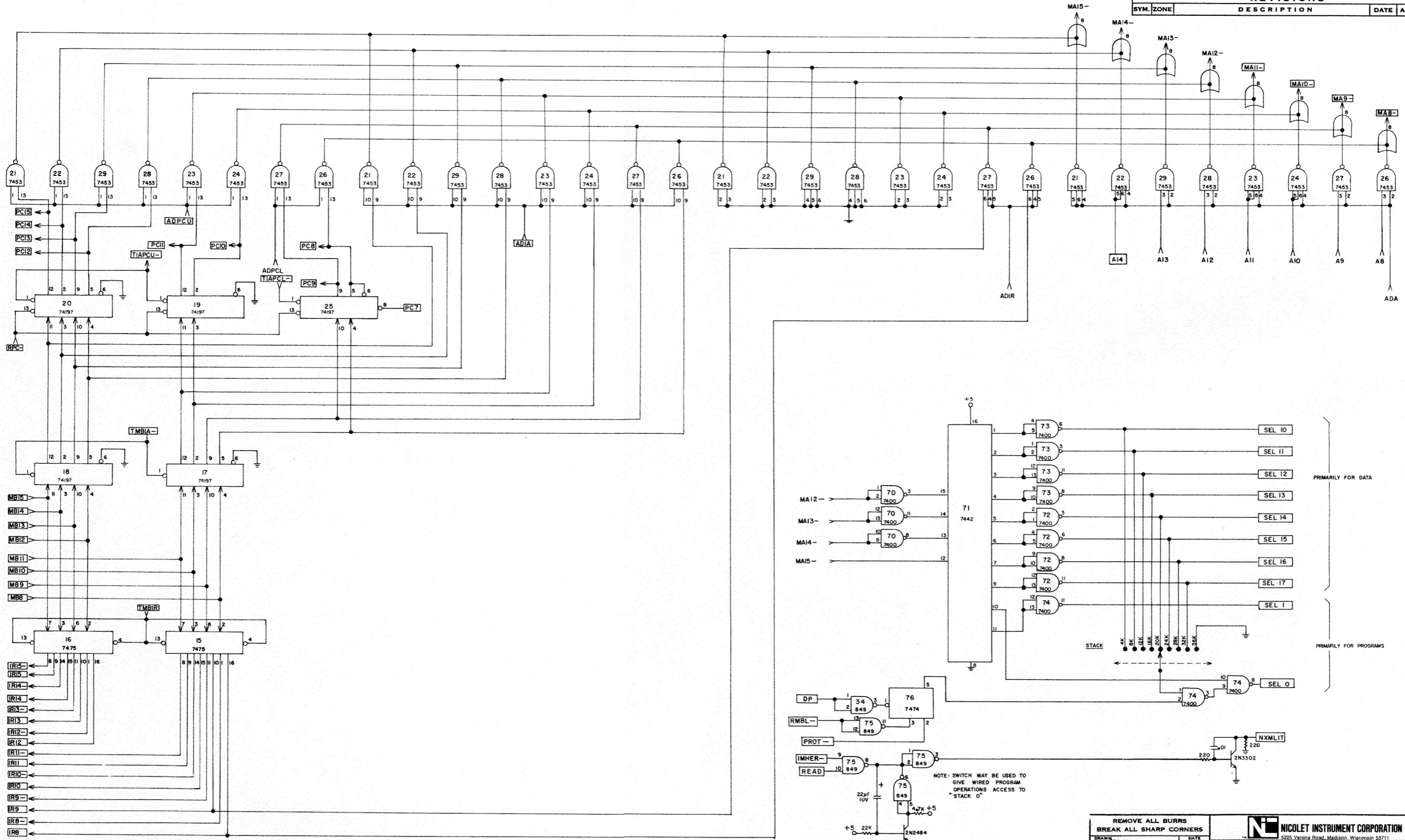


| REVISIONS | | | |
|-----------|-------------|------|----------|
| SYM. ZONE | DESCRIPTION | DATE | APPROVED |
| | | | |
| | | | |

| | | | |
|---|----------------|--|---------------------|
| REMOVE ALL BURRS BREAK ALL SHARP CORNERS | | NICOLET INSTRUMENT CORPORATION 5225 Verona Road, Madison, Wisconsin 53711 | |
| DRAWN <i>MLC</i> | DATE 7-8-70 | TITLE 8 LSB OF ADDRESS REGISTERS | |
| CHECKED | # | 1080 DATA PROCESSOR | |
| APPROVED | | CODE IDENT. NO. | SIZE D (BOARD 2) |
| APPROVED | | SCALE | SHEET 1 of 4 |

| | |
|-------------|--------------|
| MATERIAL | SPEC. FINISH |
| NEXT ASSY | USED ON |
| APPLICATION | SPEC. |

| REVISIONS | | | |
|-----------|-------------|------|----------|
| SYM. ZONE | DESCRIPTION | DATE | APPROVED |
| | | | |



PRIMARYLY FOR DATA

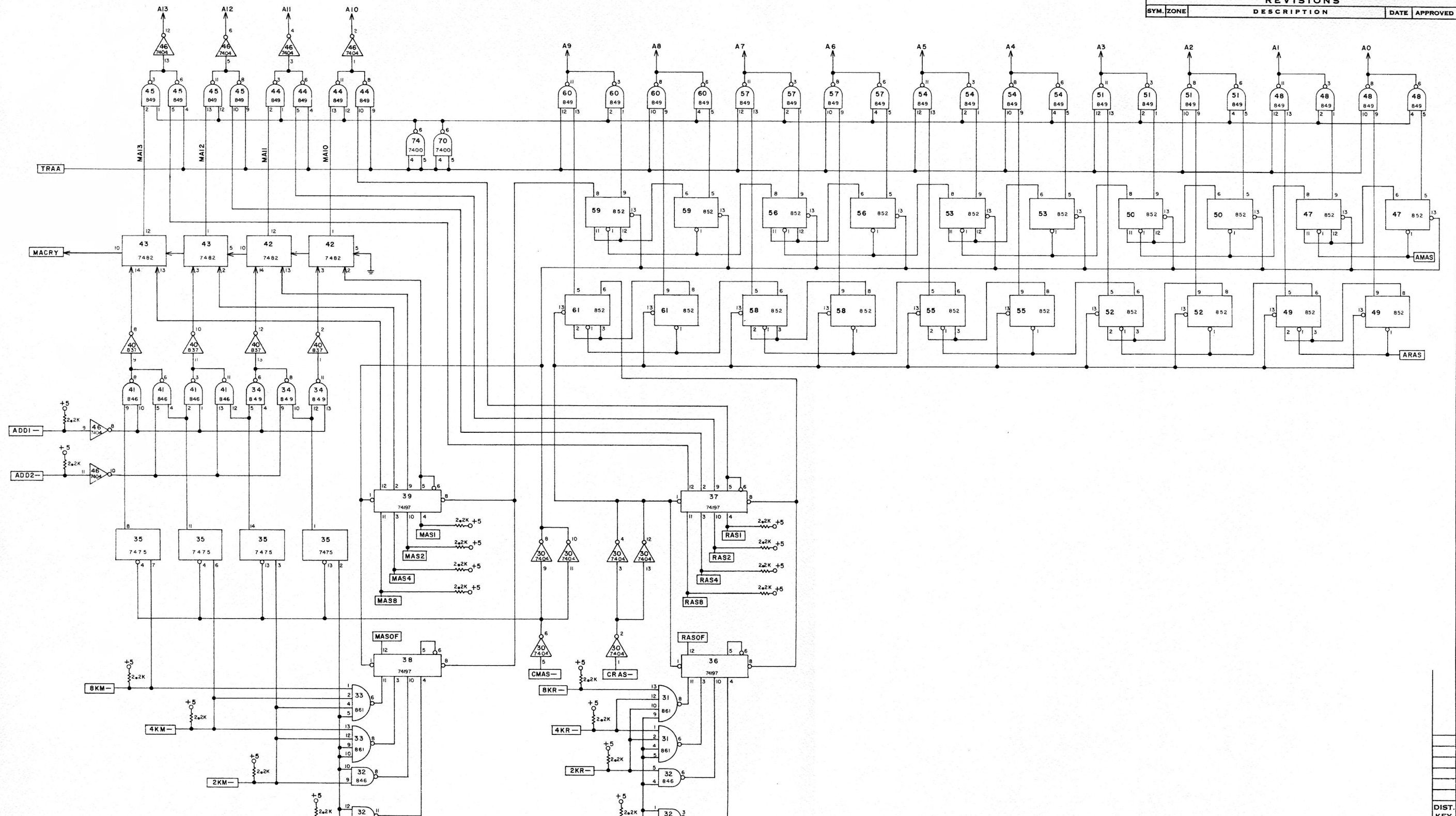
PRIMARYLY FOR PROGRAMS

NOTE: SWITCH MAY BE USED TO GIVE WIRED PROGRAM OPERATIONS ACCESS TO "STACK 0"

| | | |
|-------------|---------|--------|
| NEXT ASS'Y | USED ON | FINISH |
| APPLICATION | SPEC. | |

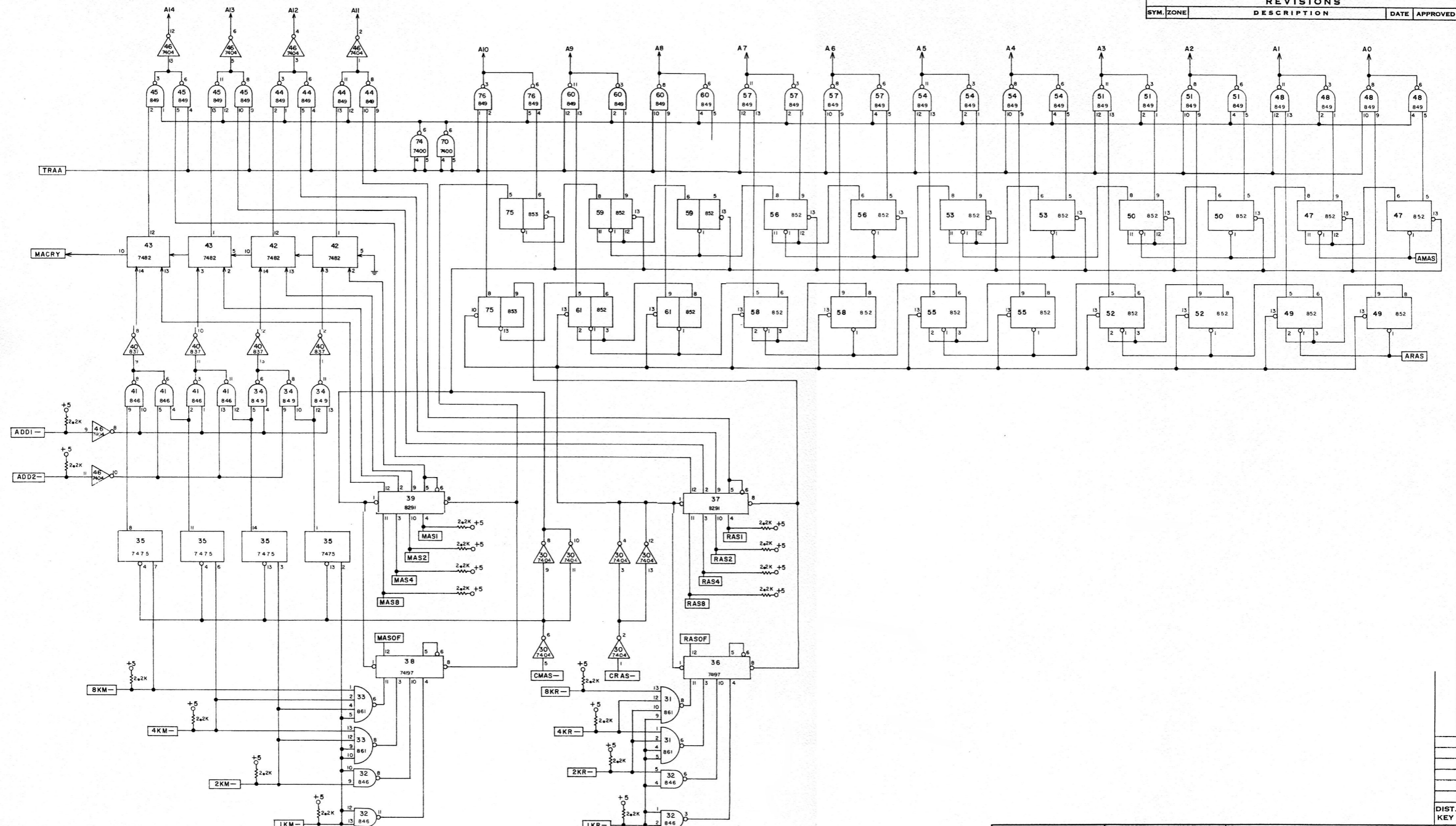
| | | |
|---|--------------|--|
| REMOVE ALL BURRS BREAK ALL SHARP CORNERS | | NICOLET INSTRUMENT CORPORATION 5225 Verona Road, Madison, Wisconsin 53711 |
| DRAWN: <i>PC</i> | DATE: 7-4-70 | |
| CHECKED: | | TITLE: 8 MSB OF ADDRESS REGISTERS 1080 DATA PROCESSOR |
| APPROVED: | | CODE IDENT. NO. SIZE: D (BOARD 2) |
| | | SCALE: SHEET 2 of 4 |

| REVISIONS | | | |
|-----------|-------------|------|----------|
| SYM.ZONE | DESCRIPTION | DATE | APPROVED |
| | | | |



| | | | | |
|---|---|------------------------|--|---|
| UNLESS OTHERWISE SPECIFIED DIMENSIONS ARE IN INCHES AND TOLERANCES ARE FRACTIONS DECIMALS ANGLES ± ± ± √ INDICATES SURFACE ROUGHNESS PER MIL-STD-10 | REMOVE ALL BURRS BREAK ALL SHARP CORNERS | | NICOLET INSTRUMENT CORPORATION 5225 Verona Road, Madison, Wisconsin 53711 | |
| | DRAWN: Guj | DATE: | | TITLE: MEASURE & READOUT ADDRESS SCALER FOR MODELS 1081 TO 1085 |
| | CHECKED: | APPROVED: | | CODE IDENT. NO.: |
| | APPROVED: | APPROVED: | | SIZE: D (BOARD 2) |
| MATERIAL: | SPEC. FINISH: | NEXT ASSY APPLICATION: | SCALE: | |
| SPEC. FINISH: | SPEC. FINISH: | USED ON: | SHEET 3 of 4 | |

| REVISIONS | | | | |
|-----------|------|-------------|------|----------|
| SYM. | ZONE | DESCRIPTION | DATE | APPROVED |
| | | | | |

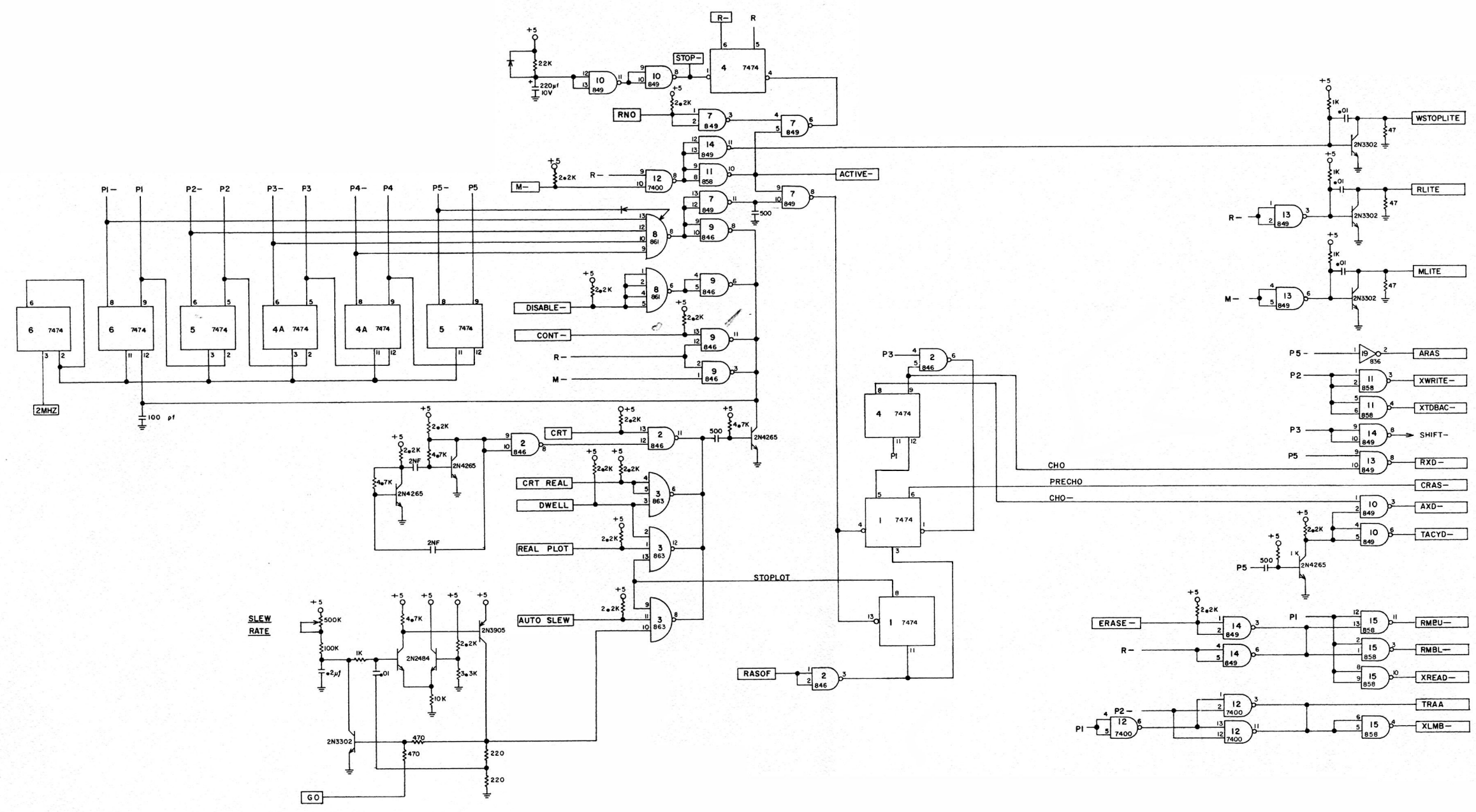


REV.

DIST. KEY

| | | | | |
|---|---|--------------|--|--|
| UNLESS OTHERWISE SPECIFIED DIMENSIONS ARE IN INCHES AND TOLERANCES ARE FRACTIONS DECIMALS ANGLES ± ± ± ✓ INDICATES SURFACE ROUGHNESS PER MIL-STD-10 | REMOVE ALL BURRS BREAK ALL SHARP CORNERS | | NICOLET INSTRUMENT CORPORATION 5225 Verona Road, Madison, Wisconsin 53711 | |
| | DRAWN: <i>[Signature]</i> | DATE: | | TITLE: MEASURE & READOUT ADDRESS SCALER FOR MODEL 1089 |
| | CHECKED: | APPROVED: | | CODE IDENT. NO.: |
| | APPROVED: | APPROVED: | | DWG. NO.: (BOARD 2) |
| MATERIAL: | SPEC. FINISH: | SCALE: | SHEET 4 of 4 | |
| NEXT ASSY: | USED ON: | APPLICATION: | REV. A 6/15/71 | |

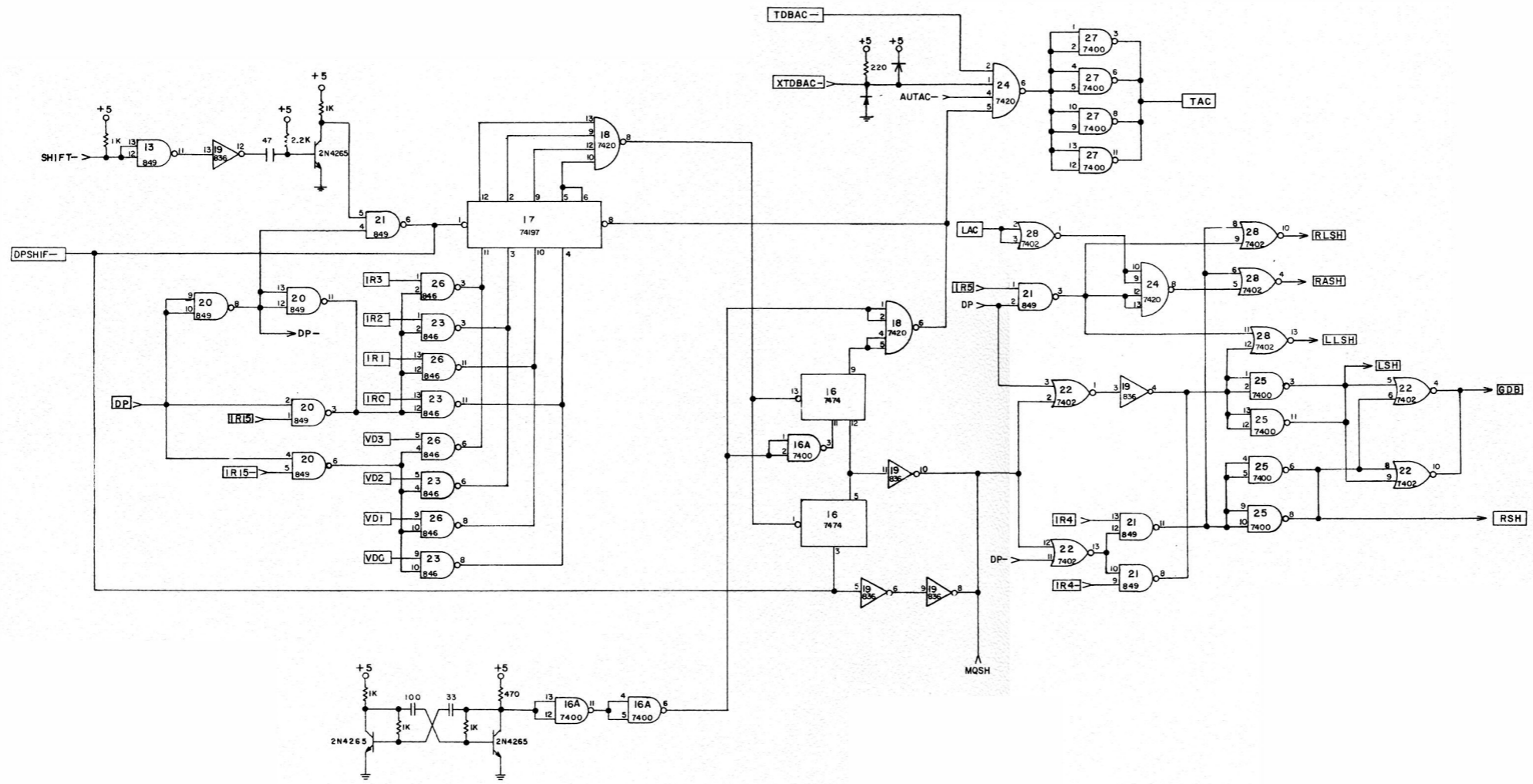
| REVISIONS | | | |
|-----------|-------------|------|----------|
| SYM. ZONE | DESCRIPTION | DATE | APPROVED |
| | | | |



| | | | | | |
|---|--------------|---|------|--|----------------------------|
| UNLESS OTHERWISE SPECIFIED DIMENSIONS ARE IN INCHES AND TOLERANCES ARE FRACTIONS DECIMALS ANGLES ± √ INDICATES SURFACE ROUGHNESS PER MIL-STD-10 | | REMOVE ALL BURRS BREAK ALL SHARP CORNERS | | NICOLET INSTRUMENT CORPORATION 5225 Verona Road, Madison, Wisconsin 53711 | |
| MATERIAL | SPEC. FINISH | DRAWN | DATE | TITLE | CODE IDENT. NO. |
| | | CHECKED | | AUTO ARITHMETIC & CONTROL BOARD READOUT CONTROL I080 | SIZE D (BOARD 3) |
| | | APPROVED | | | SCALE |
| | | | | | SHEET 1 of 4 |

| | |
|-------------|---------|
| NEXT ASSY | USED ON |
| | |
| APPLICATION | |

| REVISIONS | | | | |
|-----------|------|-------------|------|----------|
| SYM. | ZONE | DESCRIPTION | DATE | APPROVED |
| | | | | |
| | | | | |
| | | | | |
| | | | | |

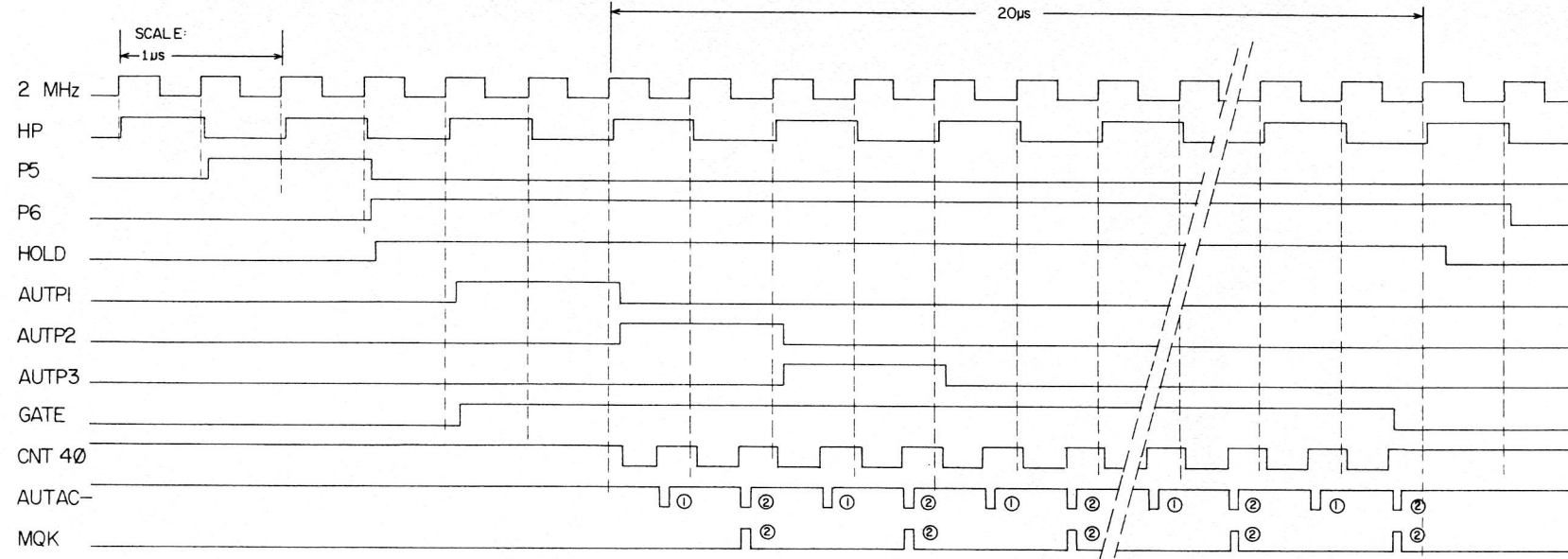


REV.

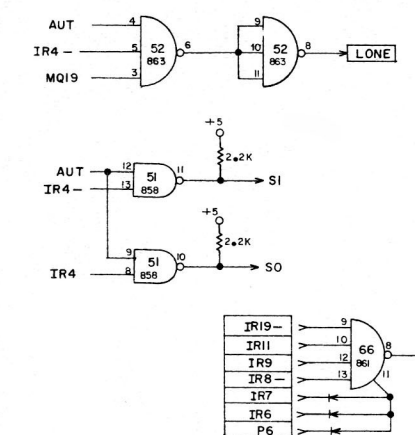
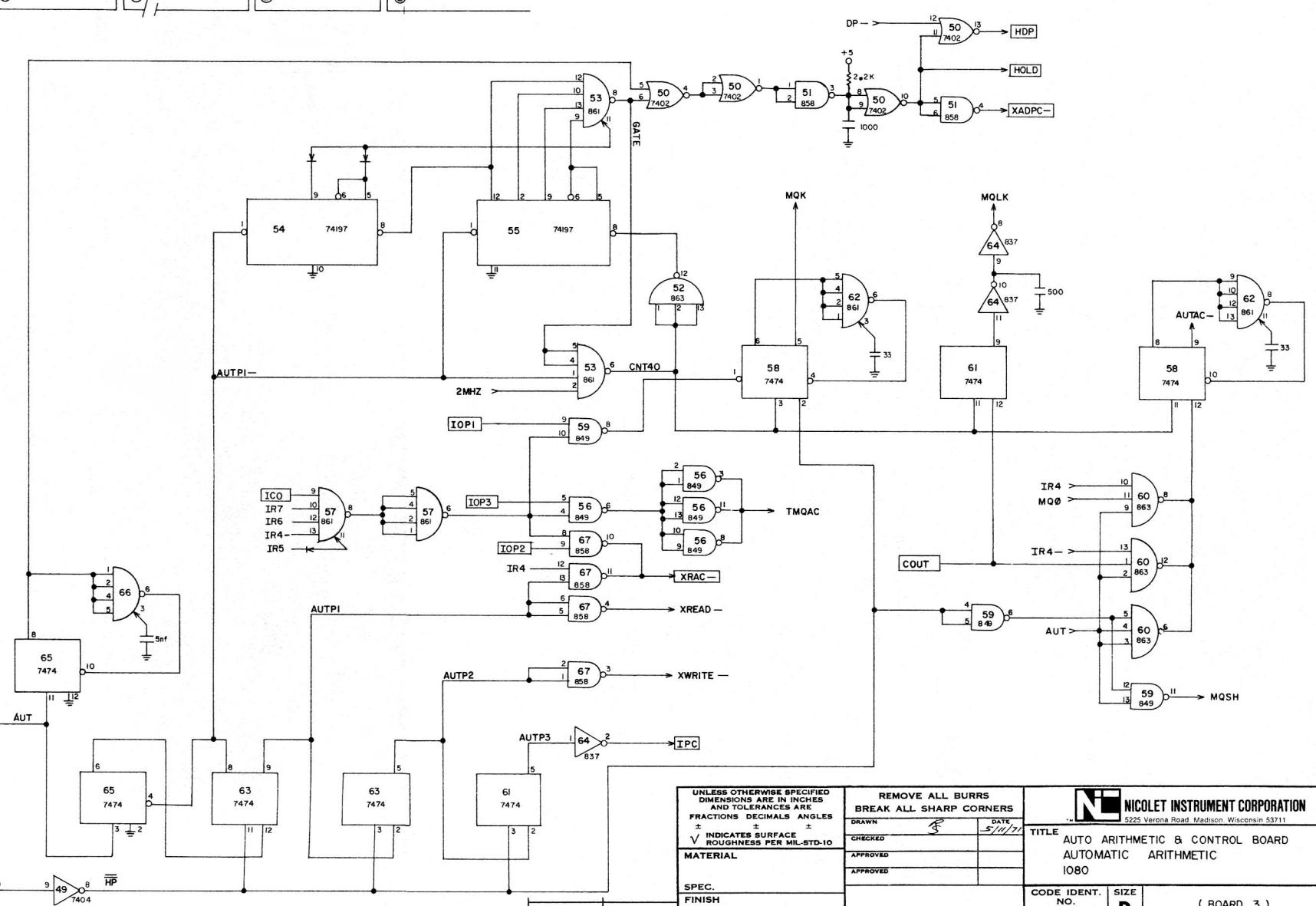
DIST. KEY

| | | | | |
|---|---|---|--|--|
| UNLESS OTHERWISE SPECIFIED DIMENSIONS ARE IN INCHES AND TOLERANCES ARE FRACTIONS DECIMALS ANGLES \pm \sqrt INDICATES SURFACE ROUGHNESS PER MIL-STD-10 | REMOVE ALL BURRS BREAK ALL SHARP CORNERS | | NICOLET INSTRUMENT CORPORATION <small>5225 Verona Road, Madison, Wisconsin 53711</small> | |
| | DRAWN _____ DATE _____ CHECKED _____ APPROVED _____ APPROVED _____ | TITLE AUTO ARITHMETIC & CONTROL BOARD SHIFT CONTROL IO80 | | |
| | MATERIAL _____ SPEC. FINISH _____ SPEC. _____ | CODE IDENT. NO. _____ SIZE D SCALE _____ | (BOARD 3) SHEET 2 of 4 | |
| | NEXT ASS'Y _____ USED ON _____ APPLICATION _____ | SPEC. _____ | | |

| REVISIONS | | | |
|-----------|-------------|------|----------|
| SYM. ZONE | DESCRIPTION | DATE | APPROVED |
| | | | |

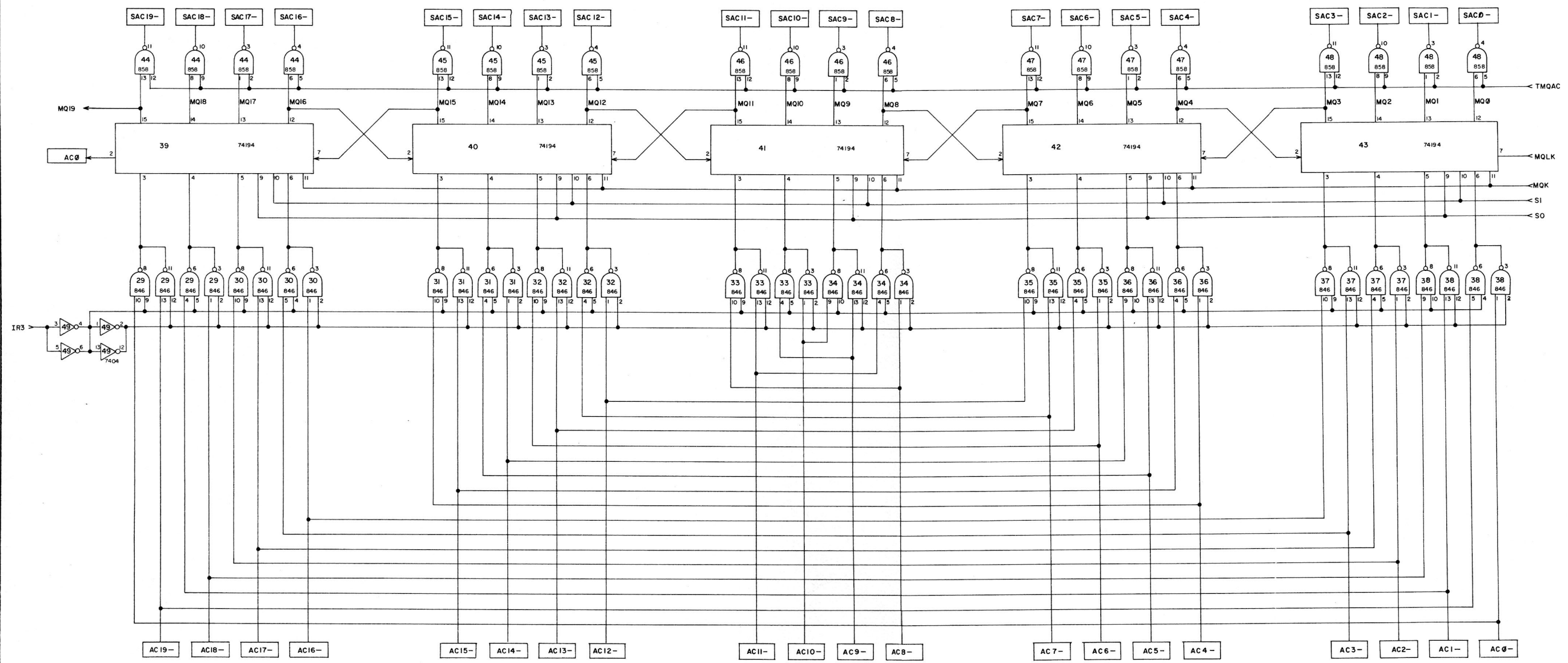


- ① - ADDITION OR SUBTRACTION OCCURS HERE. OCCURRENCE OF PULSE CONDITIONAL ON MQ0 OR COUT.
 - ② - SHIFT PULSES. 5 OF THE 20 WHICH OCCUR ARE SHOWN.
- NOTE: ONLY 5 OF INDICATED 20µs ARE SHOWN



| | | | | | |
|--|--|---|---------|--|-------------|
| UNLESS OTHERWISE SPECIFIED DIMENSIONS ARE IN INCHES AND TOLERANCES ARE FRACTIONS DECIMALS ANGLES ± | | REMOVE ALL BURRS BREAK ALL SHARP CORNERS | | NICOLET INSTRUMENT CORPORATION 5225 Verona Road, Madison, Wisconsin 53711 | |
| ✓ INDICATES SURFACE ROUGHNESS PER MIL-STD-10 | | DRAWN | DATE | TITLE | |
| MATERIAL | | CHECKED | 5/11/71 | AUTO ARITHMETIC & CONTROL BOARD AUTOMATIC ARITHMETIC 1080 | |
| SPEC. FINISH | | APPROVED | | CODE IDENT. NO. | SIZE |
| SPEC. | | APPROVED | | D | (BOARD 3) |
| NEXT ASSY USED ON APPLICATION | | SCALE | | SHEET 3 of 4 | |

| REVISIONS | | | |
|-----------|------|-------------|---------------|
| SYM. | ZONE | DESCRIPTION | DATE APPROVED |
| | | | |
| | | | |

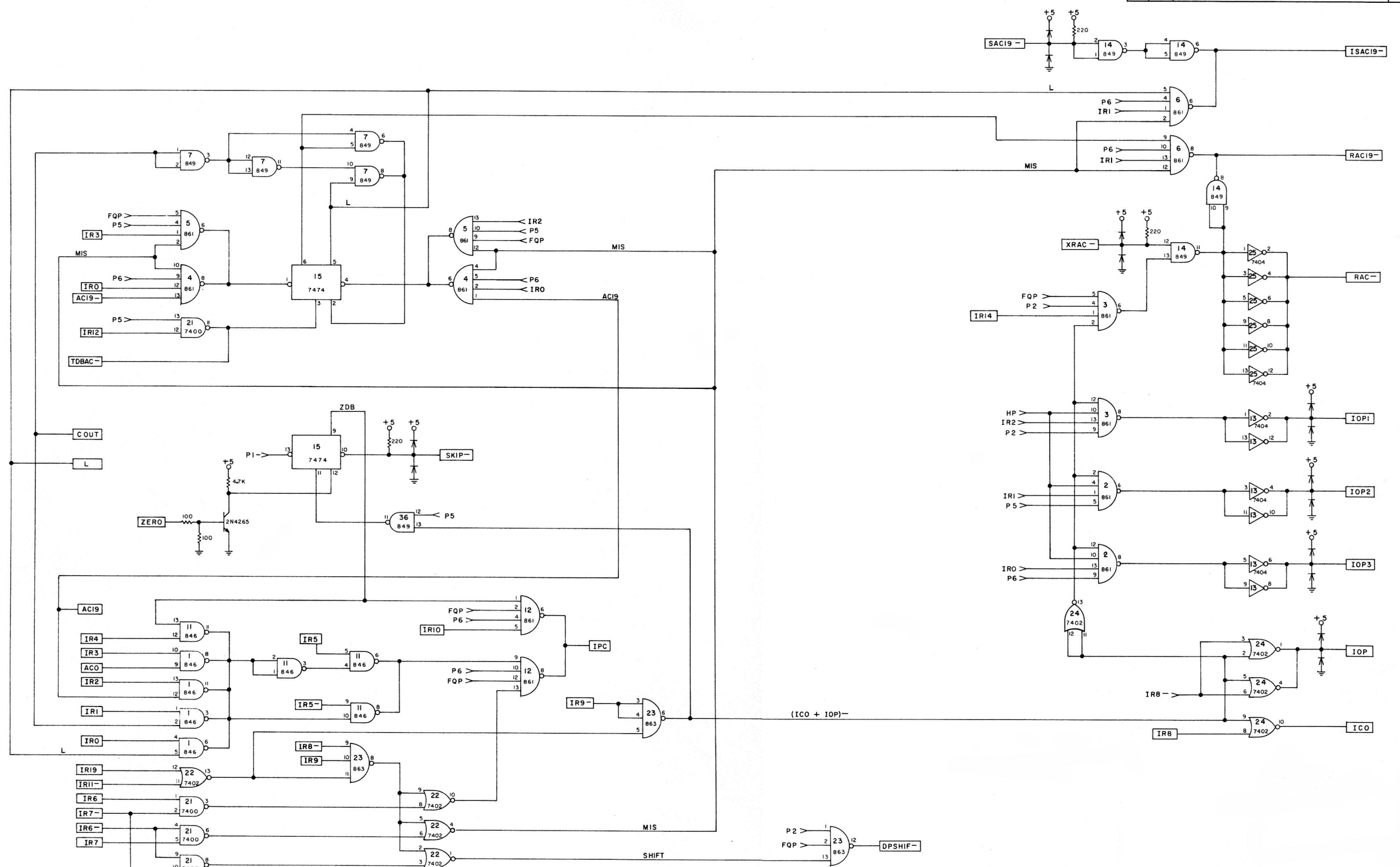


REV.

DIST. KEY

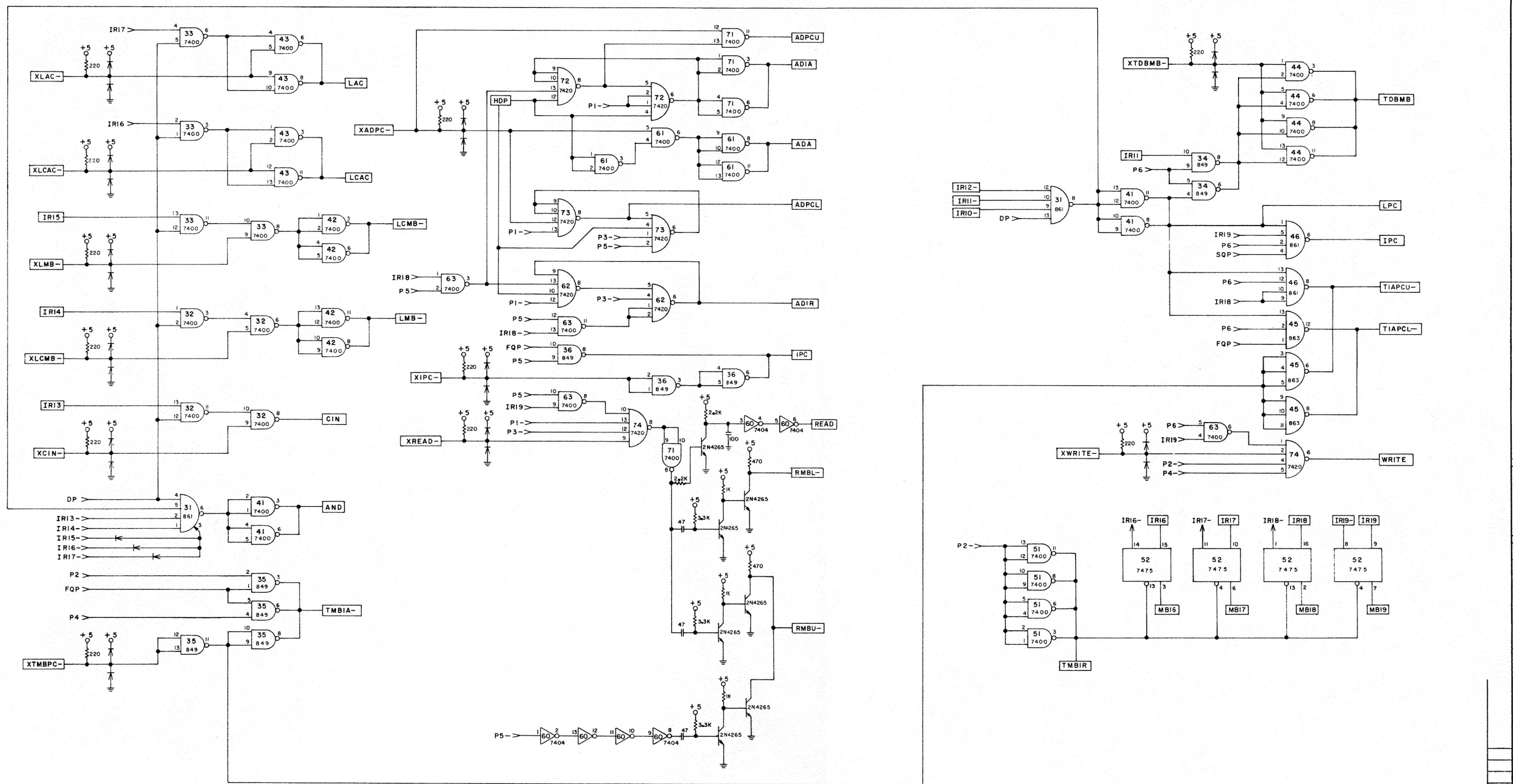
| | | | | |
|---|---|--------------|--|---|
| UNLESS OTHERWISE SPECIFIED DIMENSIONS ARE IN INCHES AND TOLERANCES ARE FRACTIONS DECIMALS ANGLES ± ± ± √ INDICATES SURFACE ROUGHNESS PER MIL-STD-10 | REMOVE ALL BURRS BREAK ALL SHARP CORNERS | | NICOLET INSTRUMENT CORPORATION 5225 Verona Road, Madison, Wisconsin 53711 | |
| | DRAWN <i>R</i> | DATE 4/14/71 | | TITLE AUTO ARITHMETIC & CONTROL BOARD MQ REGISTER |
| | CHECKED | APPROVED | | CODE IDENT. NO. 1080 |
| | MATERIAL | FINISH | | SIZE D (BOARD 3) |
| NEXT ASSY USED ON APPLICATION | SPEC. FINISH SPEC. | SCALE | SHEET 4 of 4 | |

| REVISIONS | | | |
|-----------|-------------|------|----------|
| SYM. ZONE | DESCRIPTION | DATE | APPROVED |
| | | | |



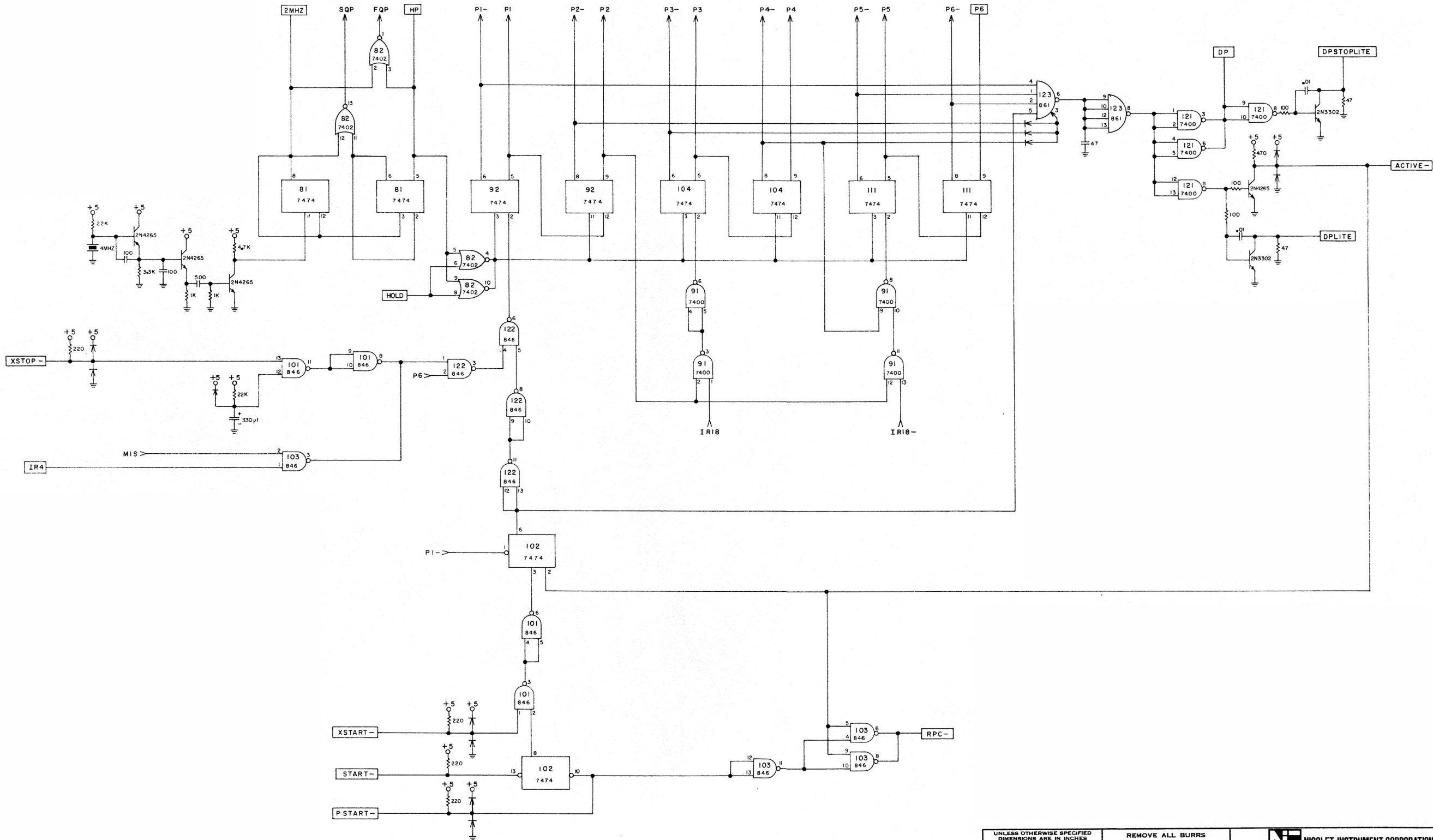
| | | | | |
|---|---|-------------|---|------|
| UNLESS OTHERWISE SPECIFIED DIMENSIONS ARE IN INCHES AND TOLERANCES ARE FRACTIONS DECIMALS ANGLES ± ± ± √ INDICATES SURFACE ROUGHNESS PER MIL-STD-10 | REMOVE ALL BURRS BREAK ALL SHARP CORNERS | | NICOLET INSTRUMENT CORPORATION 5225 Verona Road, Madison, Wisconsin 53711 | |
| | DRAWN | GW | | DATE |
| | CHECKED | | | |
| | APPROVED | | | |
| MATERIAL | | | TITLE DATA PROCESSOR CONTROL BOARD (IOP GENERATOR TEST & MIS LOGIC) 1080 | |
| SPEC. | | | CODE IDENT. NO. | |
| FINISH | | | SIZE D | |
| NEXT ASS'Y | USED ON | (BOARD 4) | | |
| APPLICATION | SPEC. | SCALE | SHEET 1 of 3 | |

| REVISIONS | | | |
|-----------|------|-------------|---------------|
| SYM. | ZONE | DESCRIPTION | DATE APPROVED |
| | | | |



| | | | | | |
|--|--|---|--|--|--|
| UNLESS OTHERWISE SPECIFIED DIMENSIONS ARE IN INCHES AND TOLERANCES ARE FRACTIONS DECIMALS ANGLES ± | | REMOVE ALL BURRS BREAK ALL SHARP CORNERS | | NICOLET INSTRUMENT CORPORATION 5225 Verona Road, Madison, Wisconsin 53711 | |
| DRAWN GW | | DATE | | TITLE DATA PROCESSOR CONTROL BOARD | |
| CHECKED | | APPROVED | | 1080 | |
| APPROVED | | APPROVED | | CODE IDENT. NO. SIZE (BOARD 4) | |
| MATERIAL | | APPROVED | | SCALE SHEET 2 of 3 | |
| SPEC. FINISH | | APPROVED | | NEXT ASSY USED ON APPLICATION | |
| SPEC. | | APPROVED | | | |

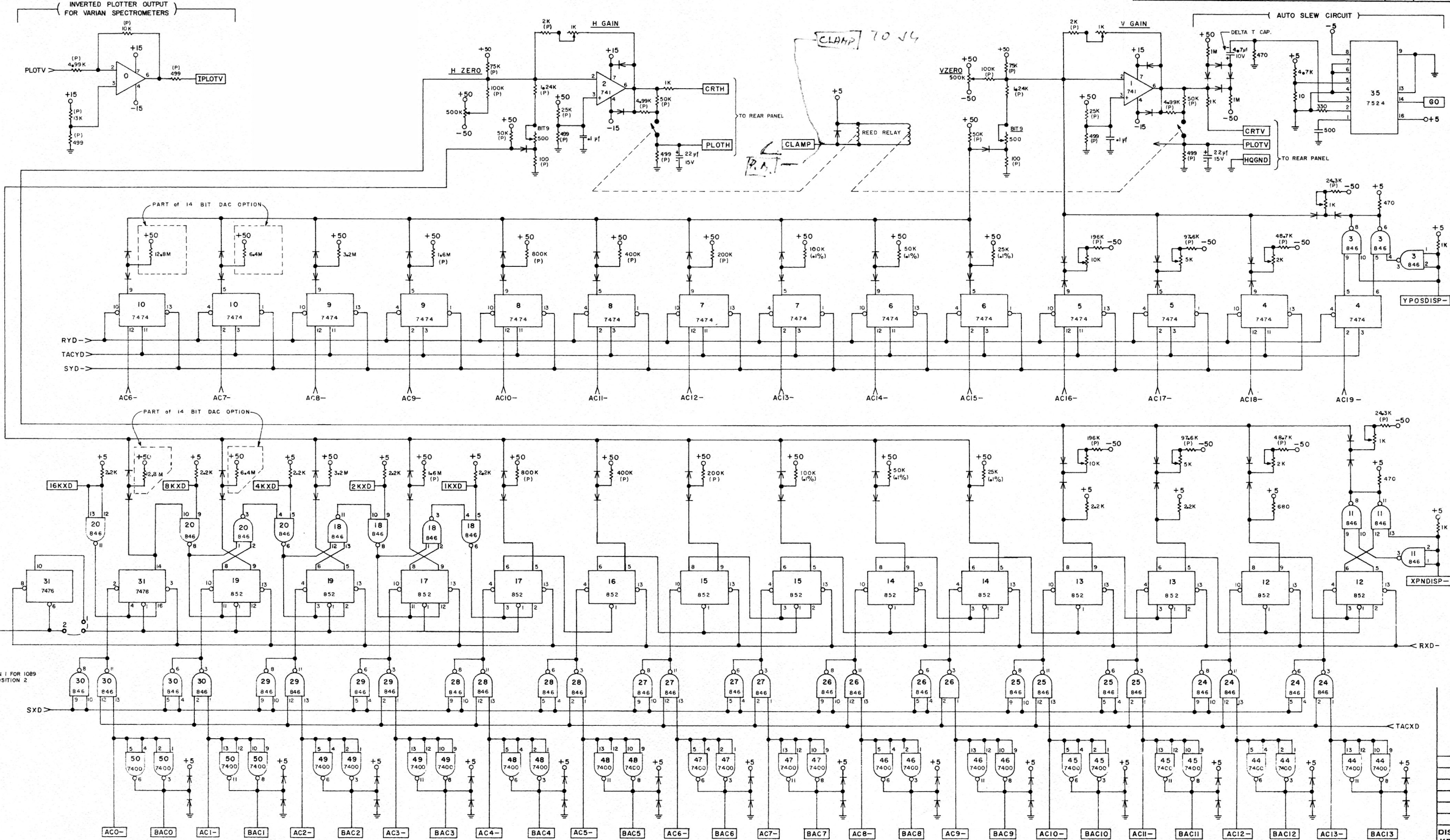
| REVISIONS | | | |
|-----------|-------------|------|----------|
| SYM. ZONE | DESCRIPTION | DATE | APPROVED |
| | | | |



| | | | | |
|---|---|----|---|------|
| UNLESS OTHERWISE SPECIFIED DIMENSIONS ARE IN INCHES AND TOLERANCES ARE FRACTIONS DECIMALS ANGLES ± ± ± √ INDICATES SURFACE ROUGHNESS PER MIL-STD-10 | REMOVE ALL BURRS BREAK ALL SHARP CORNERS | | NICOLET INSTRUMENT CORPORATION 5225 Verona Road, Madison, Wisconsin 53711 TITLE DATA PROCESSOR CONTROL BOARD (PROGRAM PULSER) 1080 | |
| | DRAWN | GW | | DATE |
| | CHECKED | | | |
| | APPROVED | | | |
| MATERIAL | | | CODE IDENT. NO. | |
| SPEC. FINISH | | | SIZE D | |
| | | | (BOARD 4) | |
| | | | SCALE | |
| | | | SHEET 3 of 3 | |

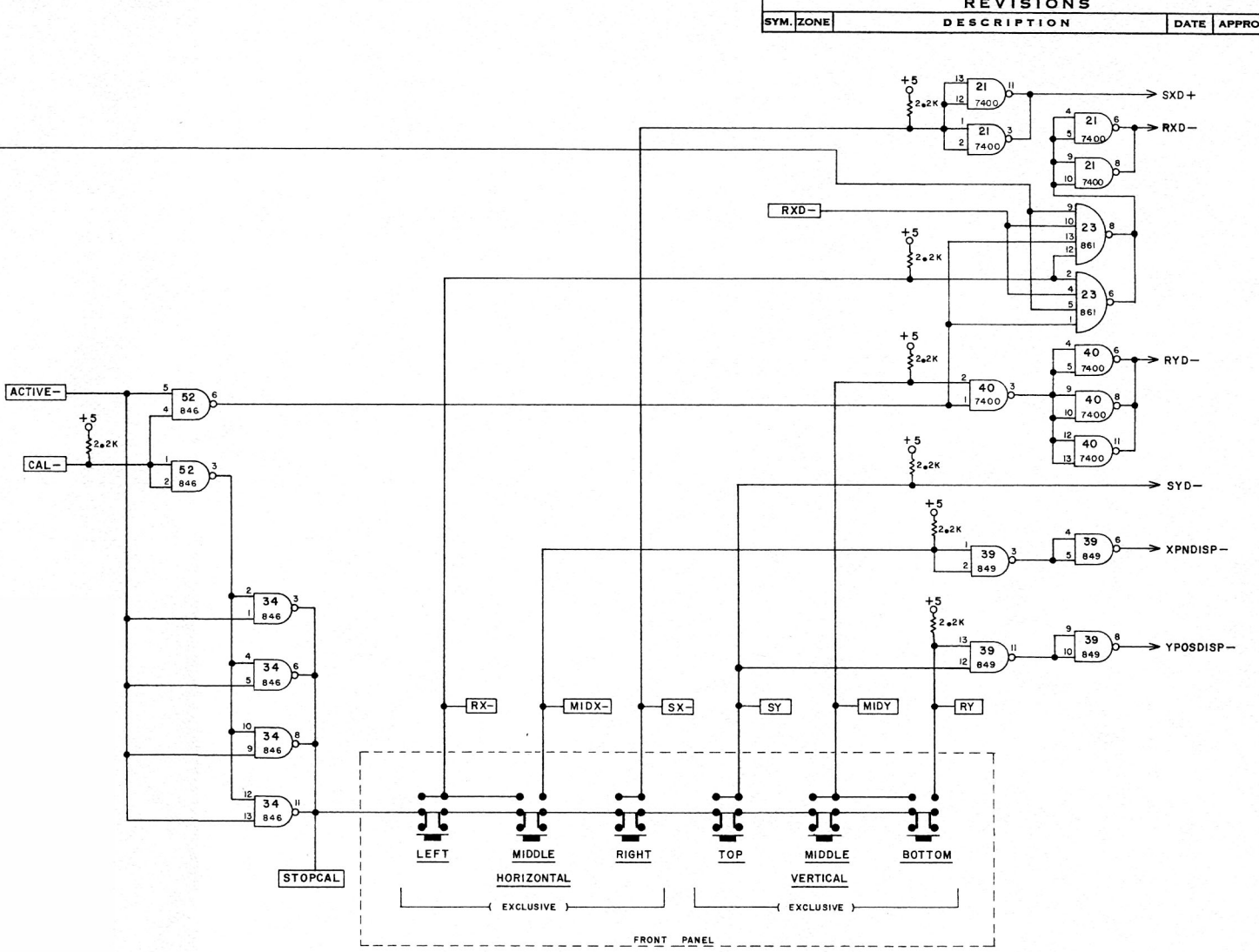
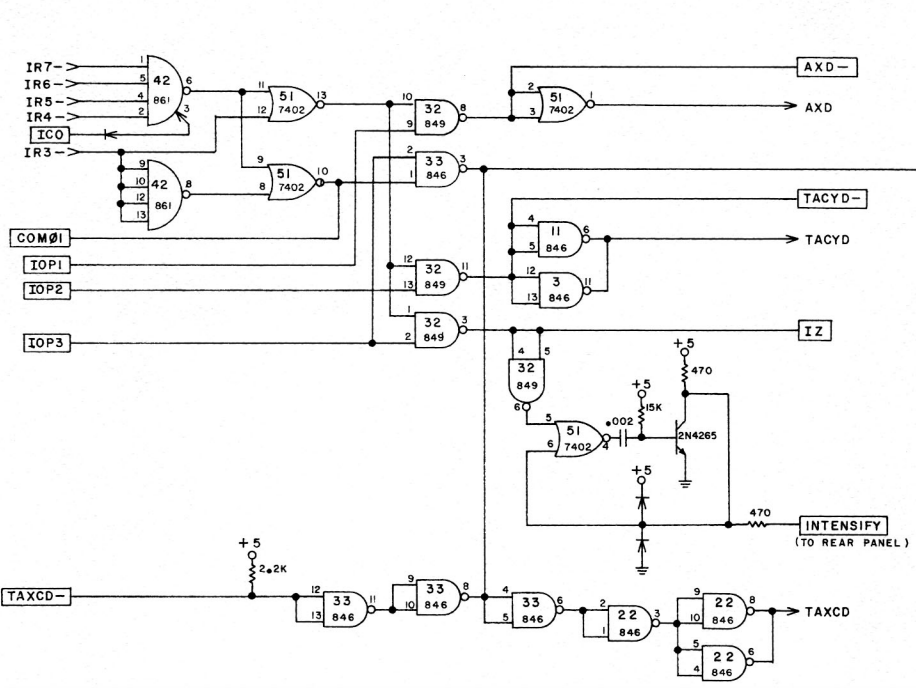
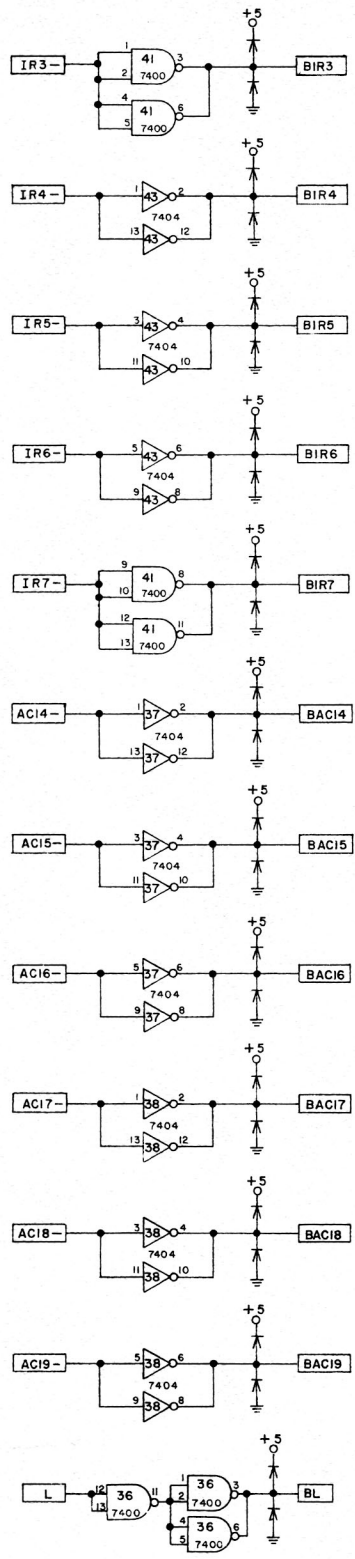
| | |
|-------------|---------|
| NEXT ASS'Y | USED ON |
| APPLICATION | SPEC. |

| REVISIONS | | | |
|-----------|-------------|------|----------|
| SYM.ZONE | DESCRIPTION | DATE | APPROVED |
| | | | |



NOTE
LINK 15 IN POSITION 1 FOR 1089
OTHERWISE IN POSITION 2

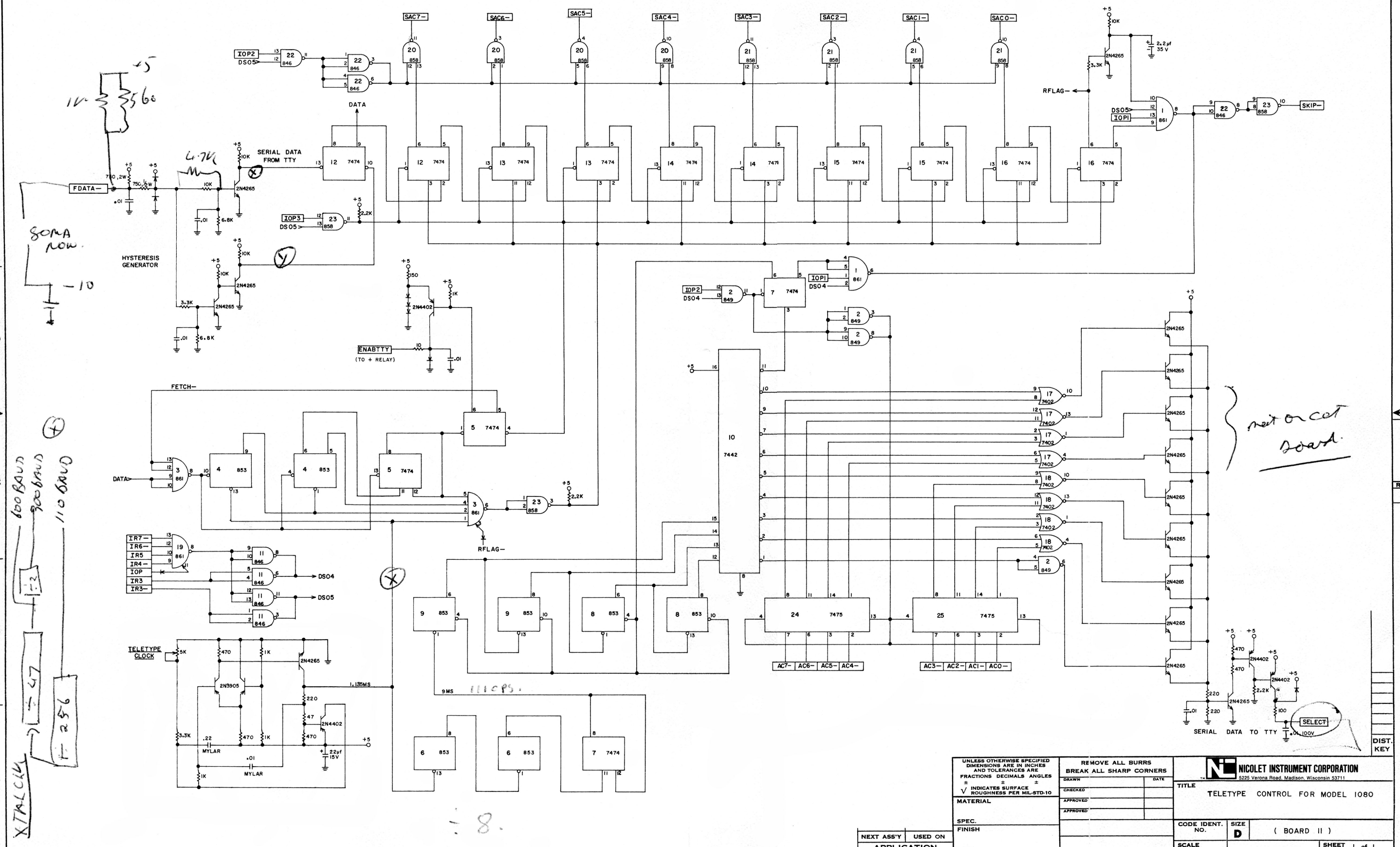
| | | |
|---|---|---|
| UNLESS OTHERWISE SPECIFIED DIMENSIONS ARE IN INCHES FRACTIONS DECIMALS ANGLES \pm $\sqrt{\text{INDICATES SURFACE ROUGHNESS PER MIL-STD-10}}$ MATERIAL SPEC. FINISH SPEC. | REMOVE ALL BURRS BREAK ALL SHARP CORNERS | NICOLET INSTRUMENT CORPORATION 5225 Verona Road, Madison, Wisconsin 53711 TITLE DISPLAY REGISTERS 1080 (BOARD 5) SHEET 1 of 2 |
| | DRAWN GW CHECKED APPROVED | |
| | DATE APPROVED | |
| | NEXT ASSY USED ON APPLICATION | |



| REVISIONS | | | | |
|-----------|------|-------------|------|----------|
| SYM. | ZONE | DESCRIPTION | DATE | APPROVED |
| | | | | |

| | | | | | |
|---|--|--|--|---|--------------------------------------|
| UNLESS OTHERWISE SPECIFIED DIMENSIONS ARE IN INCHES AND TOLERANCES ARE FRACTIONS DECIMALS ANGLES ± ± ± √ INDICATES SURFACE ROUGHNESS PER MIL-STD-10 | | REMOVE ALL BURRS BREAK ALL SHARP CORNERS DRAWN Gvj DATE CHECKED APPROVED | | NICOLET INSTRUMENT CORPORATION 5225 Verona Road, Madison, Wisconsin 53711 TITLE DISPLAY REGISTER CONTROL BOARD 1080 | |
| MATERIAL SPEC. FINISH SPEC. | | NEXT ASSY USED ON APPLICATION | | CODE IDENT. NO. SIZE D | (BOARD 5) SCALE SHEET 2 of 2 |

| REVISIONS | | | | |
|-----------|------|-------------|------|----------|
| SYM. | ZONE | DESCRIPTION | DATE | APPROVED |
| | | | | |



XTAL CLK
 100 baud
 956
 100 baud
 956

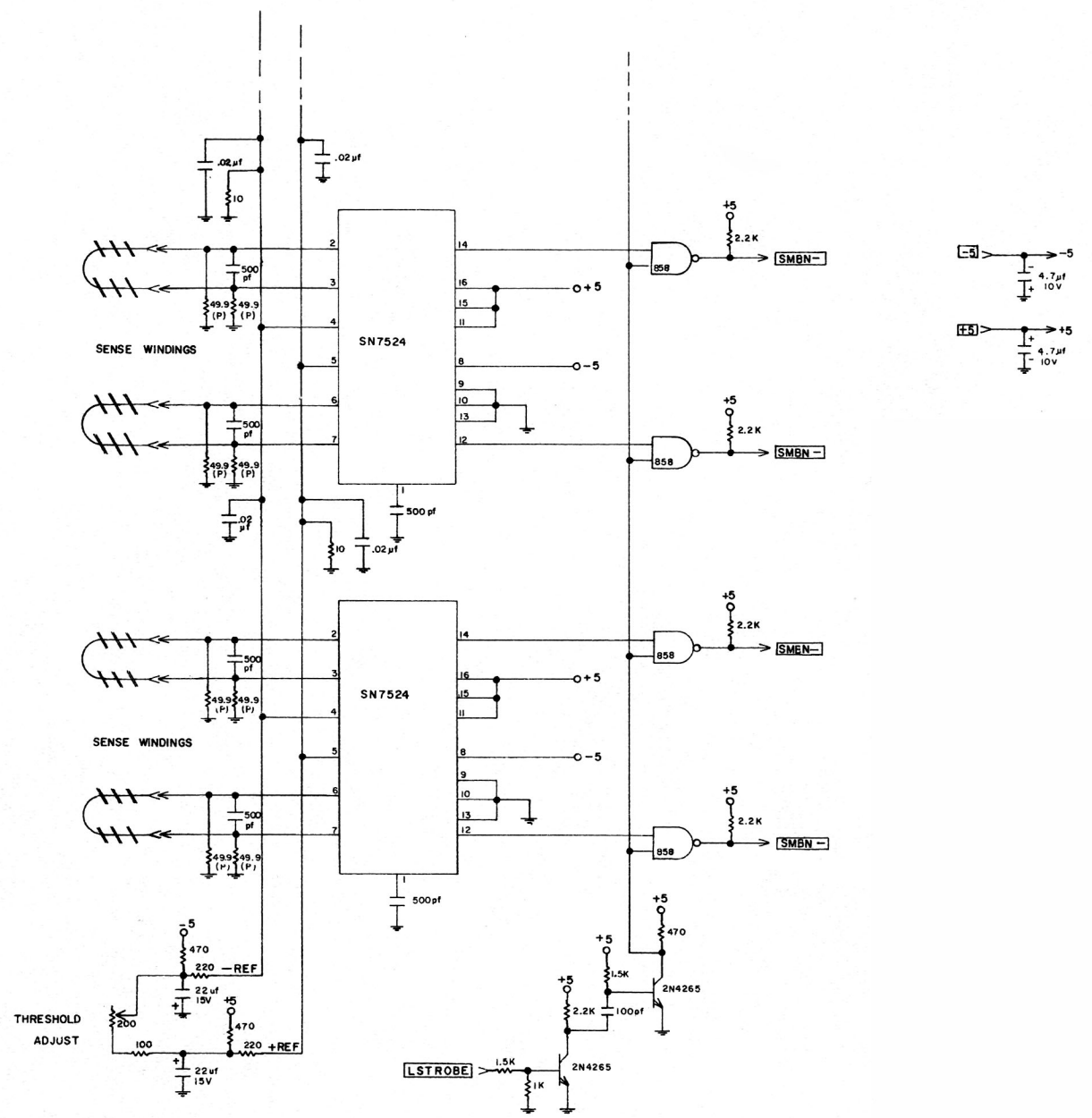
net or cat board.

8.

| | | | | | |
|---|--|---|--|--|--|
| UNLESS OTHERWISE SPECIFIED DIMENSIONS ARE IN INCHES AND TOLERANCES ARE FRACTIONS DECIMALS ANGLES ± ± √ INDICATES SURFACE ROUGHNESS PER MIL-STD-10 | | REMOVE ALL BURRS BREAK ALL SHARP CORNERS | | NICOLET INSTRUMENT CORPORATION 5225 Verona Road, Madison, Wisconsin 53711 | |
| MATERIAL | | DRAWN | | TITLE TELETYPE CONTROL FOR MODEL 1080 | |
| SPEC. FINISH | | CHECKED | | CODE IDENT. NO. | |
| NEXT ASS'Y APPLICATION | | APPROVED | | SIZE D (BOARD II) | |
| | | APPROVED | | SCALE | |
| | | | | SHEET 1 of 1 | |

| REVISIONS | | | |
|-----------|-------------|------|----------|
| SYM. ZONE | DESCRIPTION | DATE | APPROVED |
| | | | |

TOTAL OF 20 IDENTICAL STAGES, 4 SHOWN

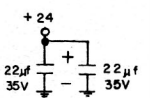
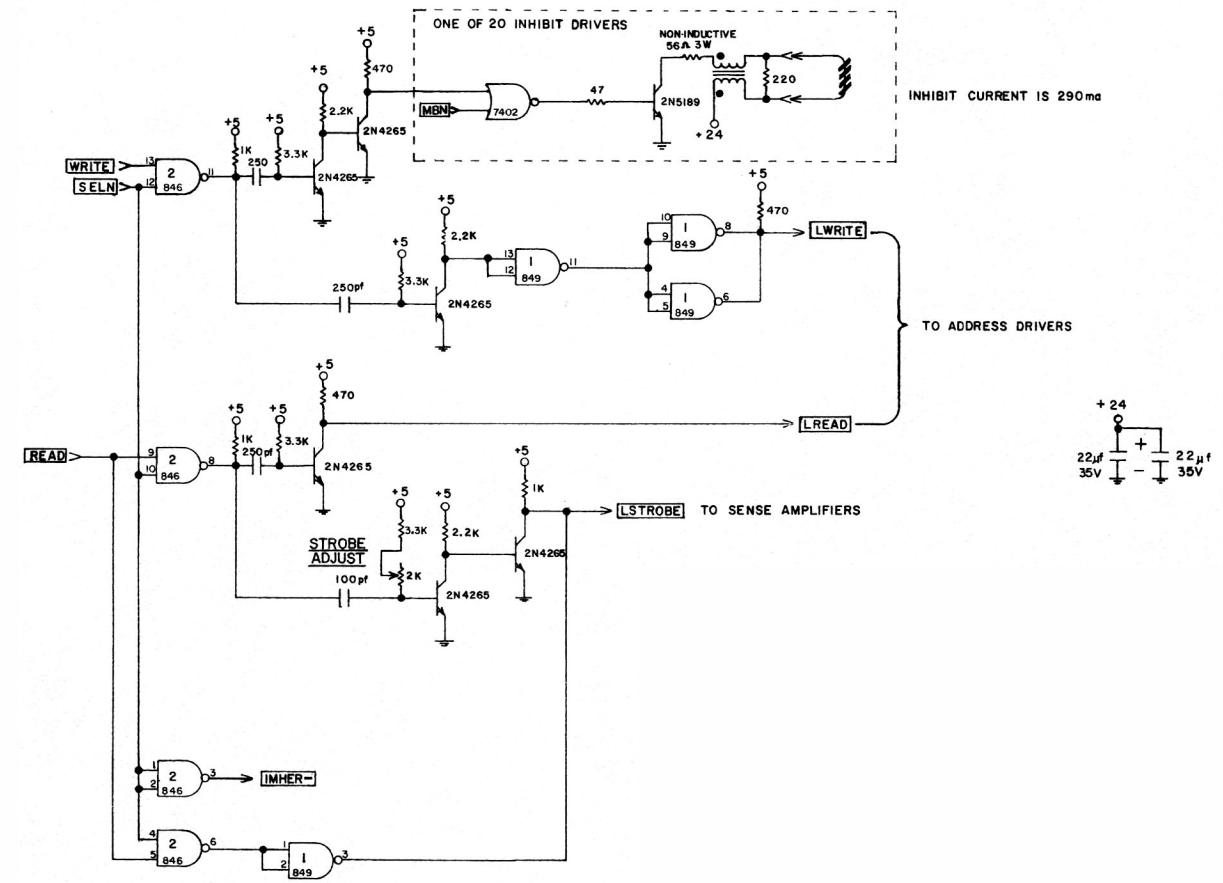


REV.

DIST. KEY

| | | | | | |
|---|--|---|--|---|--|
| UNLESS OTHERWISE SPECIFIED DIMENSIONS ARE IN INCHES AND TOLERANCES ARE FRACTIONS DECIMALS ANGLES ± ± ± √ INDICATES SURFACE ROUGHNESS PER MIL-STD-10 | | REMOVE ALL BURRS BREAK ALL SHARP CORNERS | | NICOLET INSTRUMENT CORPORATION <small>5225 Verona Road, Madison, Wisconsin 53711</small> | |
| DRAWN: <i>M/C</i> | | DATE: 6-27-70 | | TITLE: SENSE AMPLIFIER 1080 | |
| MATERIAL: | | APPROVED: | | CODE IDENT. NO. SIZE: D | |
| SPEC. FINISH: | | APPROVED: | | MEMORY BOARD I | |
| SPEC. APPLICATION: | | SCALE: | | SHEET 1 of 1 | |

| REVISIONS | | | |
|-----------|------|-------------|---------------|
| SYM. | ZONE | DESCRIPTION | DATE APPROVED |
| | | | |

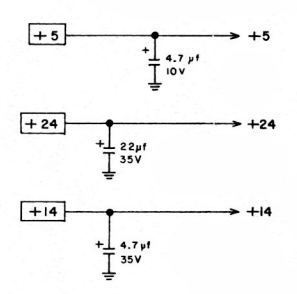
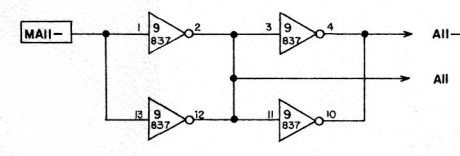
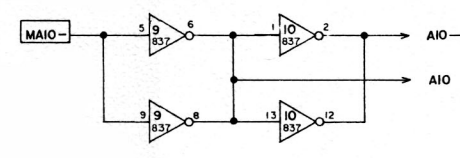
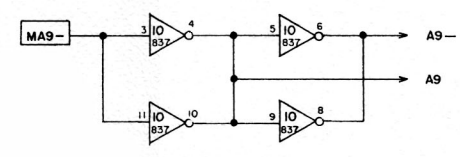
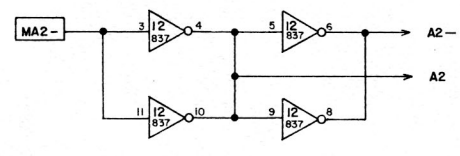
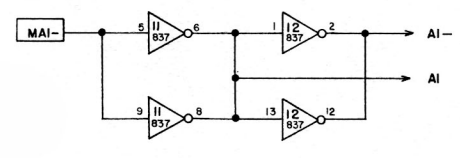
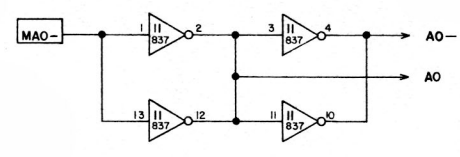
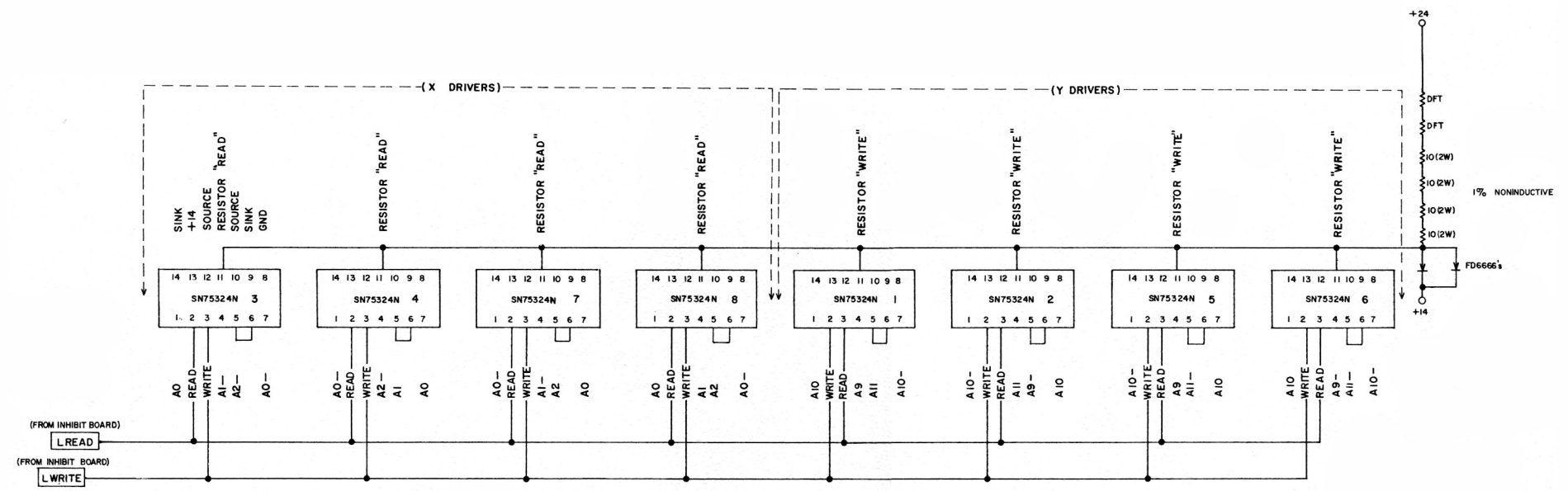


REV.

DIST. KEY

| | | | | | |
|---|--|---|--|--|--|
| UNLESS OTHERWISE SPECIFIED DIMENSIONS ARE IN INCHES AND TOLERANCES ARE FRACTIONS DECIMALS ANGLES ± ± ± √ INDICATES SURFACE ROUGHNESS PER MIL-STD-10 | | REMOVE ALL BURRS BREAK ALL SHARP CORNERS | | 5225 Verona Road, Madison, Wisconsin 53711 | |
| DRAWN: <i>MLC</i> | | DATE: 6-23-70 | | TITLE: INHIBIT DRIVER 1080 MEMORY | |
| MATERIAL: | | APPROVED: | | CODE IDENT. NO.: | |
| SPEC. FINISH: | | APPROVED: | | SIZE: D | |
| SPEC. APPLICATION: | | SCALE: | | MEMORY BOARD 2 | |
| | | | | SHEET 1 of 1 | |

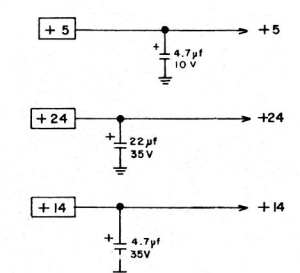
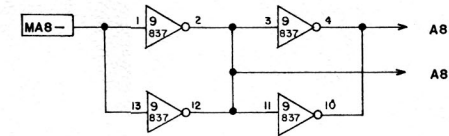
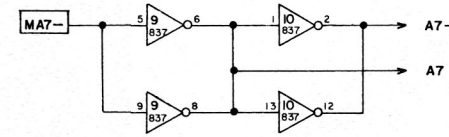
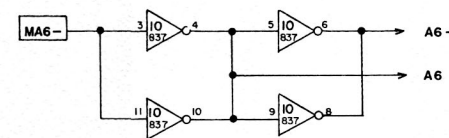
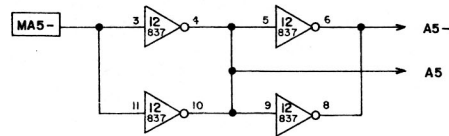
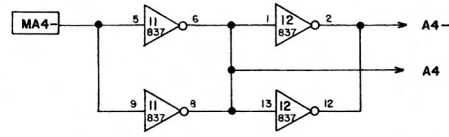
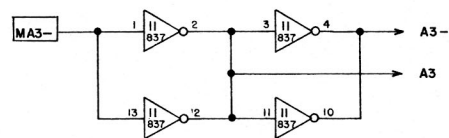
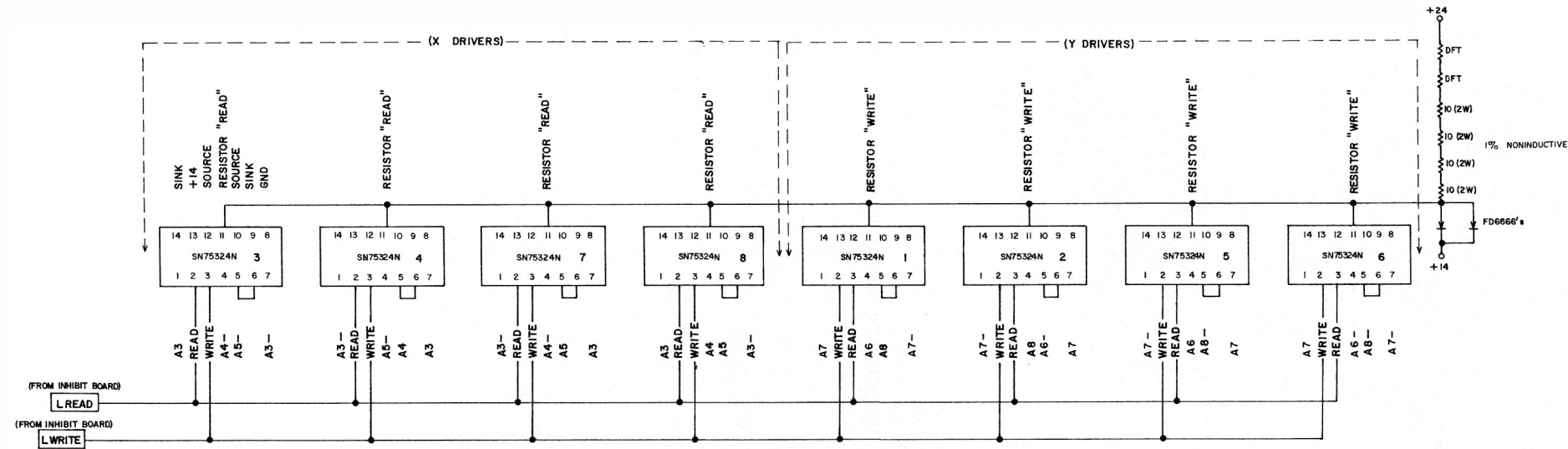
| REVISIONS | | | |
|-----------|------|-------------|------|
| SYM. | ZONE | DESCRIPTION | DATE |
| | | | |



| | | | | |
|---|---|------|--|-------------------------------|
| UNLESS OTHERWISE SPECIFIED DIMENSIONS ARE IN INCHES AND TOLERANCES ARE FRACTIONS DECIMALS ANGLES ± ± ± √ INDICATES SURFACE ROUGHNESS PER MIL-STD-10 | REMOVE ALL BURRS BREAK ALL SHARP CORNERS | | NICOLET INSTRUMENT CORPORATION 5225 Verona Road, Madison, Wisconsin 53711 | |
| | DRAWN | DATE | | TITLE |
| | CHECKED | | | ADDRESS DRIVER FOR MODEL 1080 |
| | APPROVED | | | |
| MATERIAL | | | CODE IDENT. NO. | |
| SPEC. FINISH | | | SIZE D | |
| | | | MEMORY BOARD 3 | |
| | | | SCALE | |
| | | | SHEET 2 of 2 | |

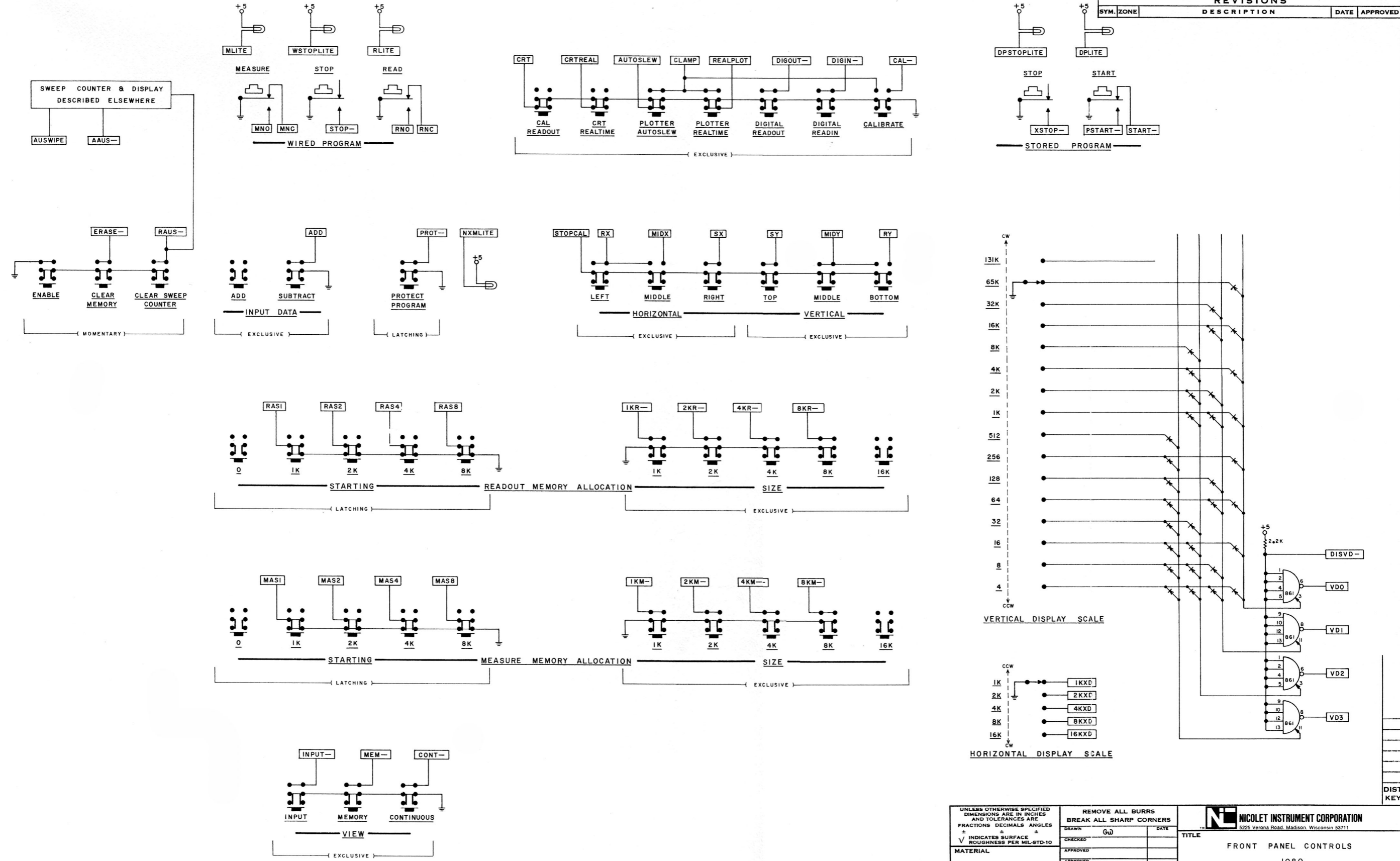
| | |
|-------------|---------|
| NEXT ASS'Y | USED ON |
| | |
| APPLICATION | |
| | |

| REVISIONS | | | |
|-----------|-------------|------|----------|
| SYM. ZONE | DESCRIPTION | DATE | APPROVED |
| | | | |



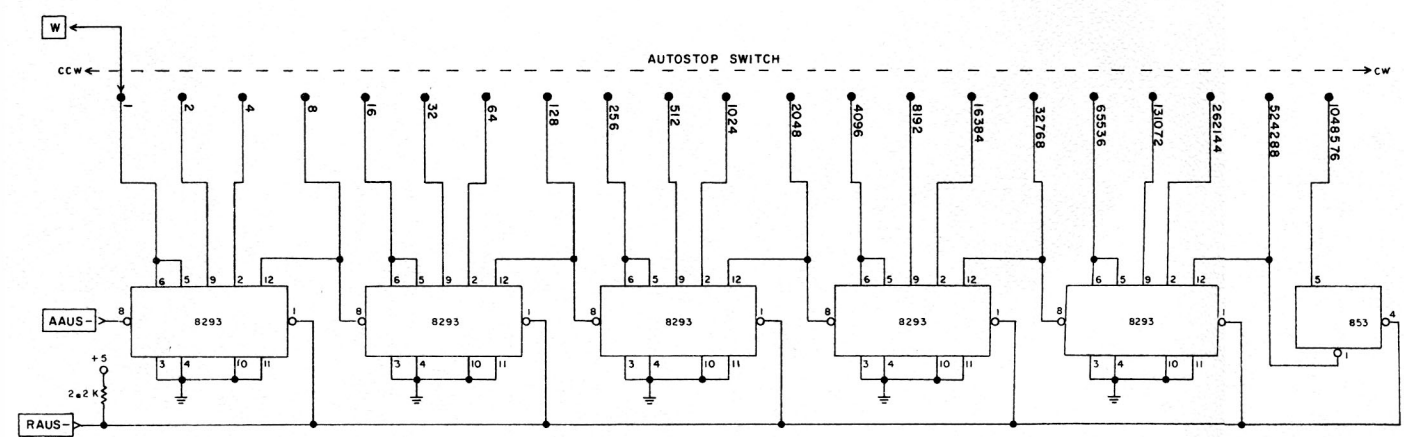
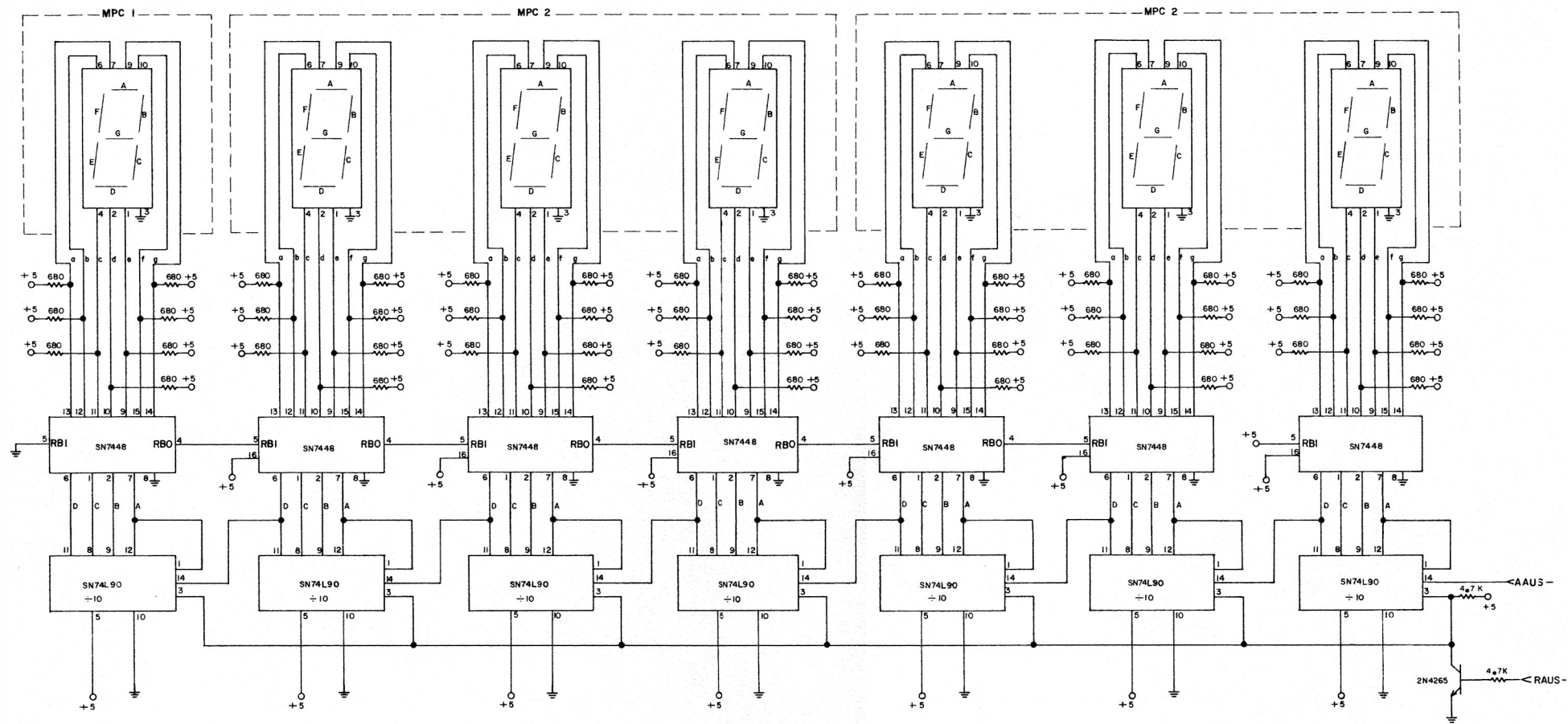
| | | | | |
|---|---|-------|--|--------------|
| UNLESS OTHERWISE SPECIFIED DIMENSIONS ARE IN INCHES AND TOLERANCES ARE FRACTIONS DECIMALS ANGLES ± √ INDICATES SURFACE ROUGHNESS PER MIL-STD-10 | REMOVE ALL BURRS BREAK ALL SHARP CORNERS | | NICOLET INSTRUMENT CORPORATION 5225 Verona Road, Madison, Wisconsin 53711 | |
| | DRAWN | DATE | TITLE | |
| | CHECKED | | ADDRESS DRIVER FOR MODEL 1080 | |
| | APPROVED | | CODE IDENT. NO. | SIZE |
| MATERIAL | | SCALE | | SHEET 1 of 2 |
| SPEC. FINISH | | | | |
| SPEC. | | | | |

| | |
|-------------|---------|
| NEXT ASS'Y | USED ON |
| APPLICATION | |



| UNLESS OTHERWISE SPECIFIED DIMENSIONS ARE IN INCHES AND TOLERANCES ARE FRACTIONS DECIMALS ANGLES ± √ INDICATES SURFACE ROUGHNESS PER MIL-STD-10 | | REMOVE ALL BURRS BREAK ALL SHARP CORNERS | | NICOLET INSTRUMENT CORPORATION 5225 Verona Road, Madison, Wisconsin 53711 | |
|---|---------|---|--|--|---------------|
| DRAWN | GW | DATE | | TITLE FRONT PANEL CONTROLS | |
| CHECKED | | | | 1080 | |
| APPROVED | | | | CODE IDENT. NO. | SIZE DWG. NO. |
| APPROVED | | | | D | |
| SPEC. FINISH | | | | SCALE | SHEET 1 of 1 |
| NEXT ASS'Y | USED ON | | | | |
| APPLICATION | | | | | |

| REVISIONS | | | |
|-----------|------|-------------|---------------|
| SYM. | ZONE | DESCRIPTION | DATE APPROVED |
| | | | |

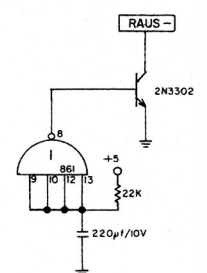
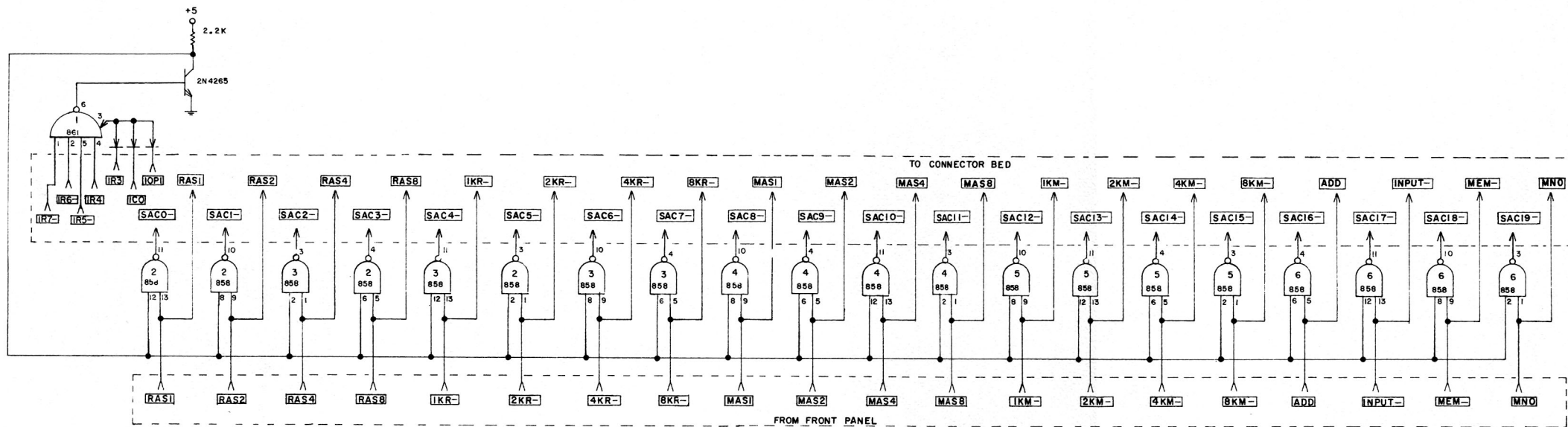


| | |
|-------------|---------|
| NEXT ASSY | USED ON |
| APPLICATION | |

| | |
|---|---|
| UNLESS OTHERWISE SPECIFIED DIMENSIONS ARE IN INCHES AND TOLERANCES ARE FRACTIONS DECIMALS ANGLES ± INDICATES SURFACE ROUGHNESS PER MIL-STD-10 | REMOVE ALL BURRS BREAK ALL SHARP CORNERS |
| DRAWN | DATE |
| CHECKED | |
| APPROVED | |
| | |
| SPEC. FINISH | |
| SPEC. | |

| | | |
|---|--------|----------|
| NICOLET INSTRUMENT CORPORATION 5225 Verona Road, Madison, Wisconsin 53711 | | |
| TITLE LOCATED ON FRONT PANEL OF 1080 SEVEN SEGMENT - SEVEN DIGIT DISPLAY COUNTER & DRIVER & AUTOSTOP SCALER | | |
| CODE IDENT. NO. | SIZE D | DWG. NO. |
| SCALE | SHEET | |

| REVISIONS | | | |
|-----------|------|-------------|------|
| SYM. | ZONE | DESCRIPTION | DATE |
| | | | |

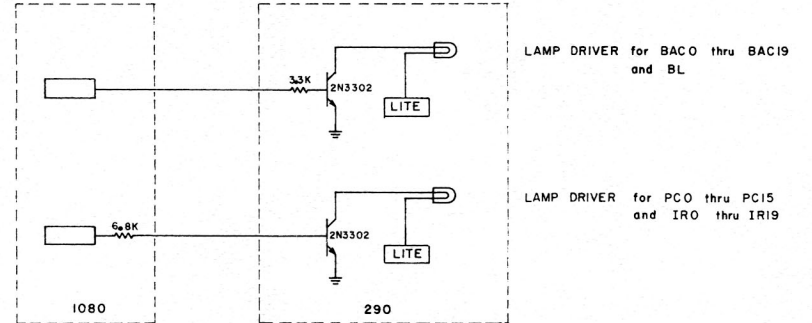
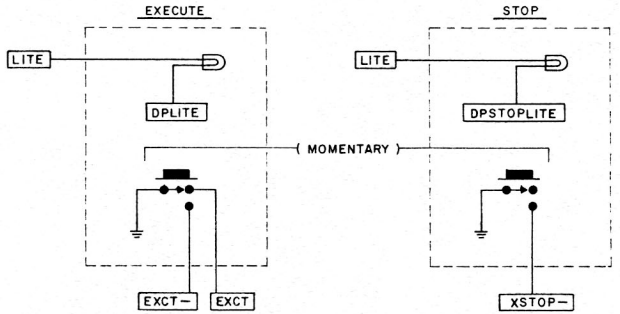
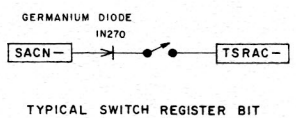
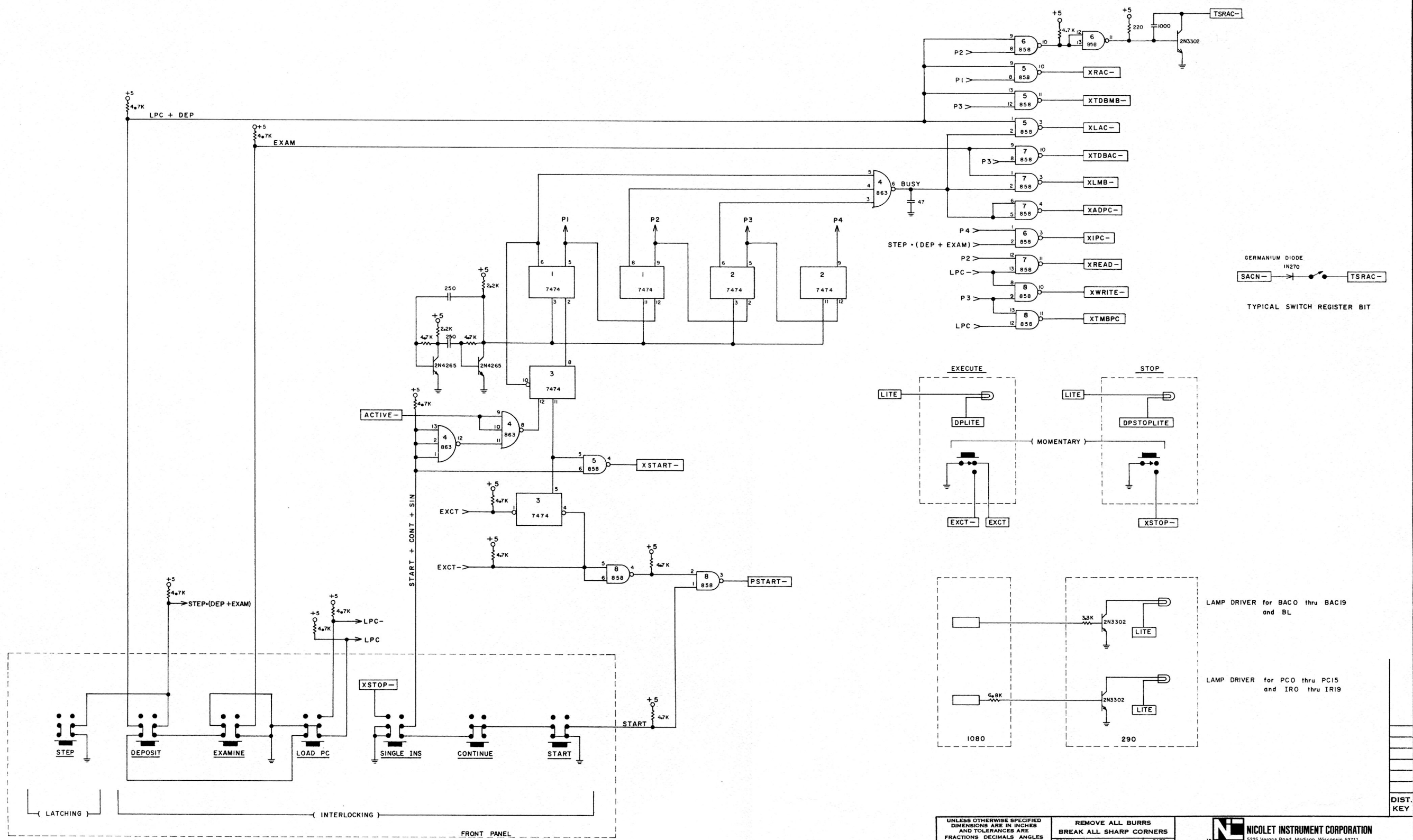


REV.

DIST. KEY

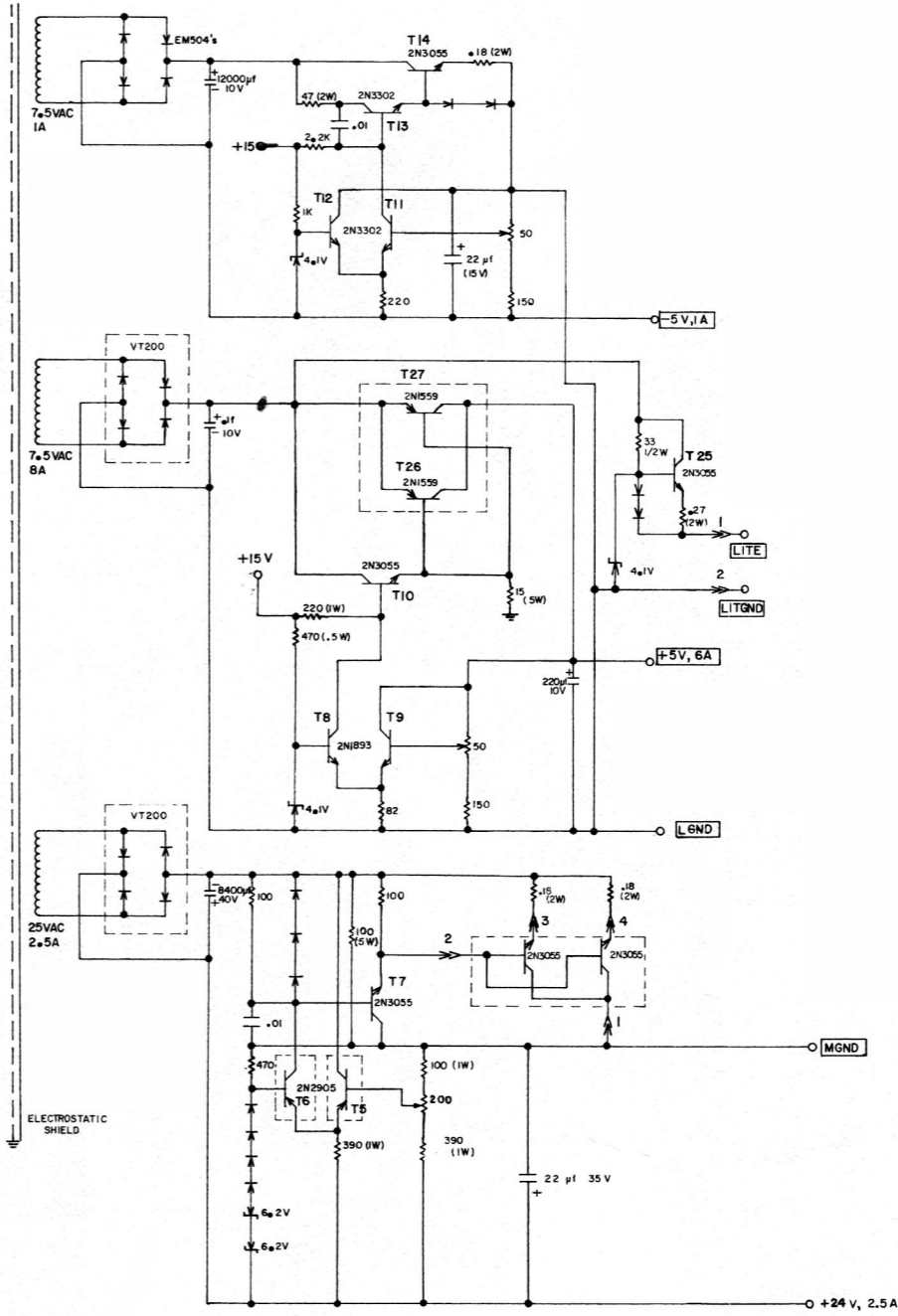
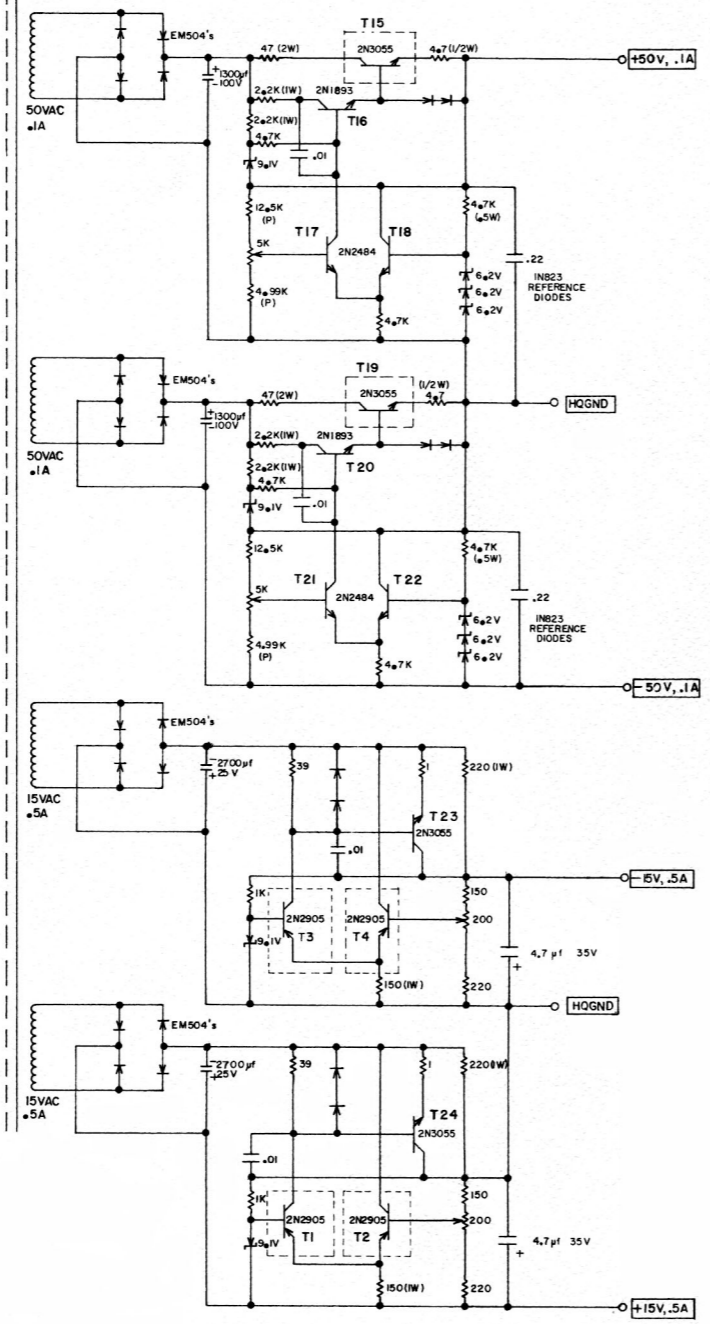
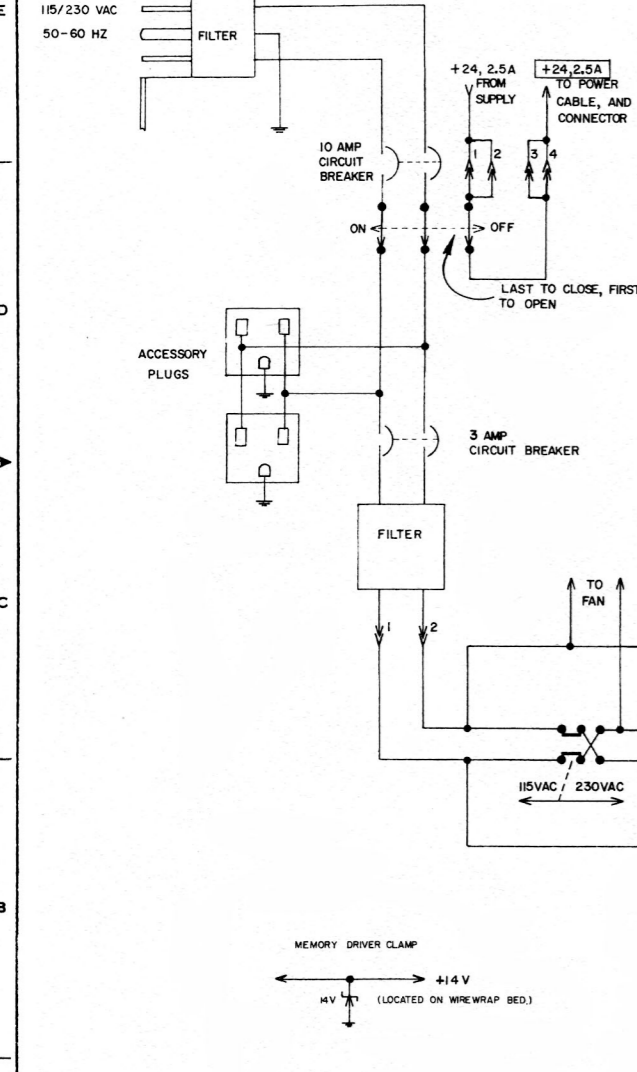
| | | | | | |
|---|--|---|-------------|--|----------------------------|
| UNLESS OTHERWISE SPECIFIED DIMENSIONS ARE IN INCHES AND TOLERANCES ARE FRACTIONS DECIMALS ANGLES ± ± ± √ INDICATES SURFACE ROUGHNESS PER MIL-STD-10 | | REMOVE ALL BURRS BREAK ALL SHARP CORNERS | | NICOLET INSTRUMENT CORPORATION 5225 Verona Road, Madison, Wisconsin 53711 | |
| MATERIAL | | DRAWN <i>Mb</i> | DATE 7-1-70 | TITLE FRONT PANEL CONNECTOR 1080 | |
| SPEC. FINISH | | CHECKED | APPROVED | CODE IDENT. NO. | SIZE D (BOARD D2) |
| NEXT ASS'Y USED ON APPLICATION | | APPROVED | | SCALE | SHEET 1 of 1 |

| REVISIONS | | | |
|-----------|-------------|------|----------|
| SYM. ZONE | DESCRIPTION | DATE | APPROVED |
| | | | |



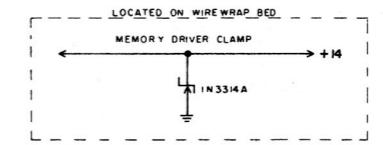
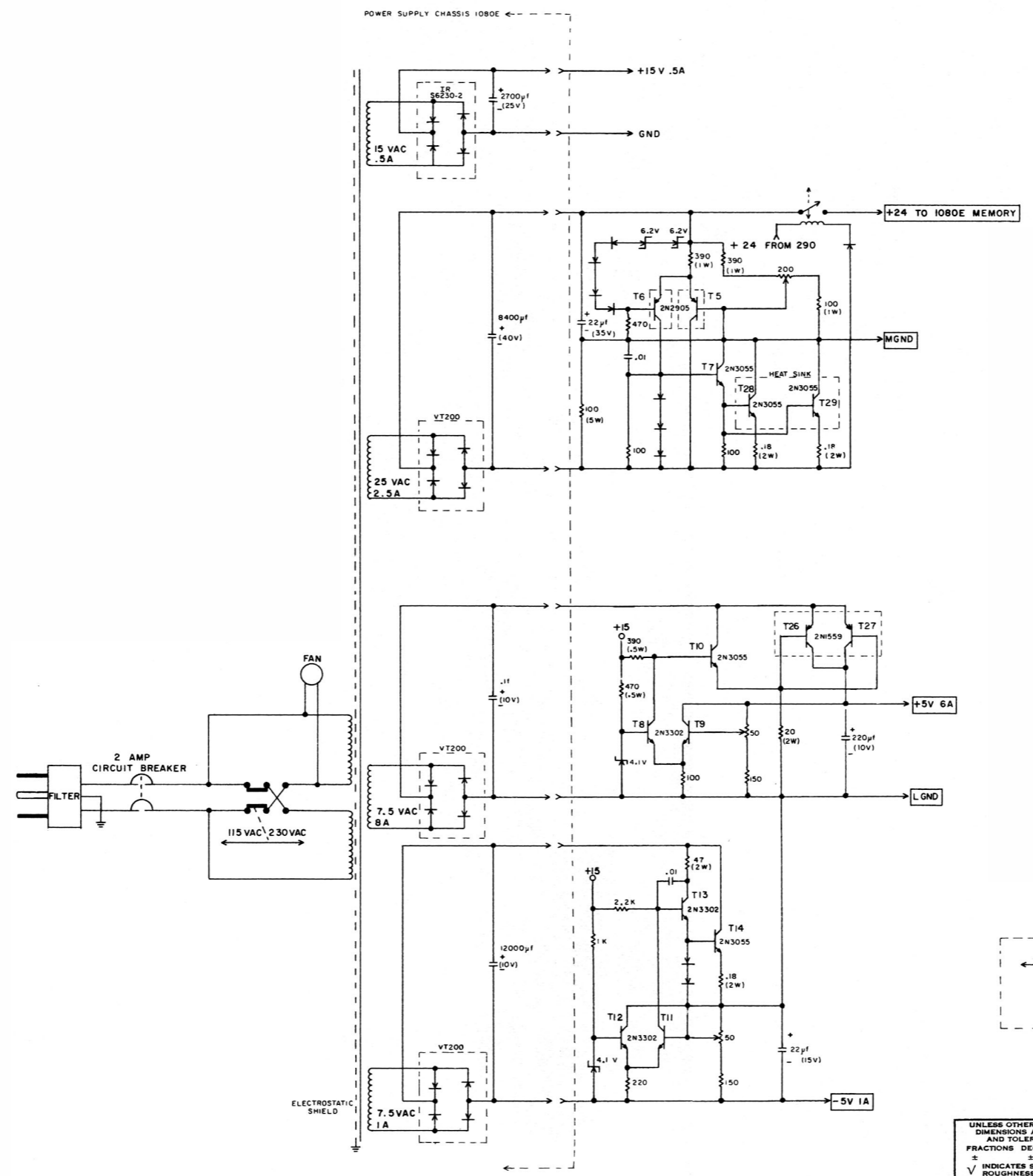
| | | | | | |
|---|--|--|--|--|--|
| UNLESS OTHERWISE SPECIFIED DIMENSIONS ARE IN INCHES AND TOLERANCES ARE FRACTIONS DECIMALS ANGLES ± ± ± INDICATES SURFACE ROUGHNESS PER MIL-STD-10 | | REMOVE ALL BURRS BREAK ALL SHARP CORNERS | | NICOLET INSTRUMENT CORPORATION 5225 Verona Road, Madison, Wisconsin 53711 | |
| MATERIAL | | DRAWN GW | | DATE | |
| SPEC. FINISH | | CHECKED | | APPROVED | |
| NEXT ASSY USED ON APPLICATION | | APPROVED | | TITLE MODEL 290 DISPLAY/CONTROL | |
| SPEC. | | SCALE | | CODE IDENT. NO. SIZE D | |
| | | | | SHEET 1 of 1 | |

| REVISIONS | | | |
|-----------|------|-------------|------|
| SYM. | ZONE | DESCRIPTION | DATE |
| | | | |
| | | | |



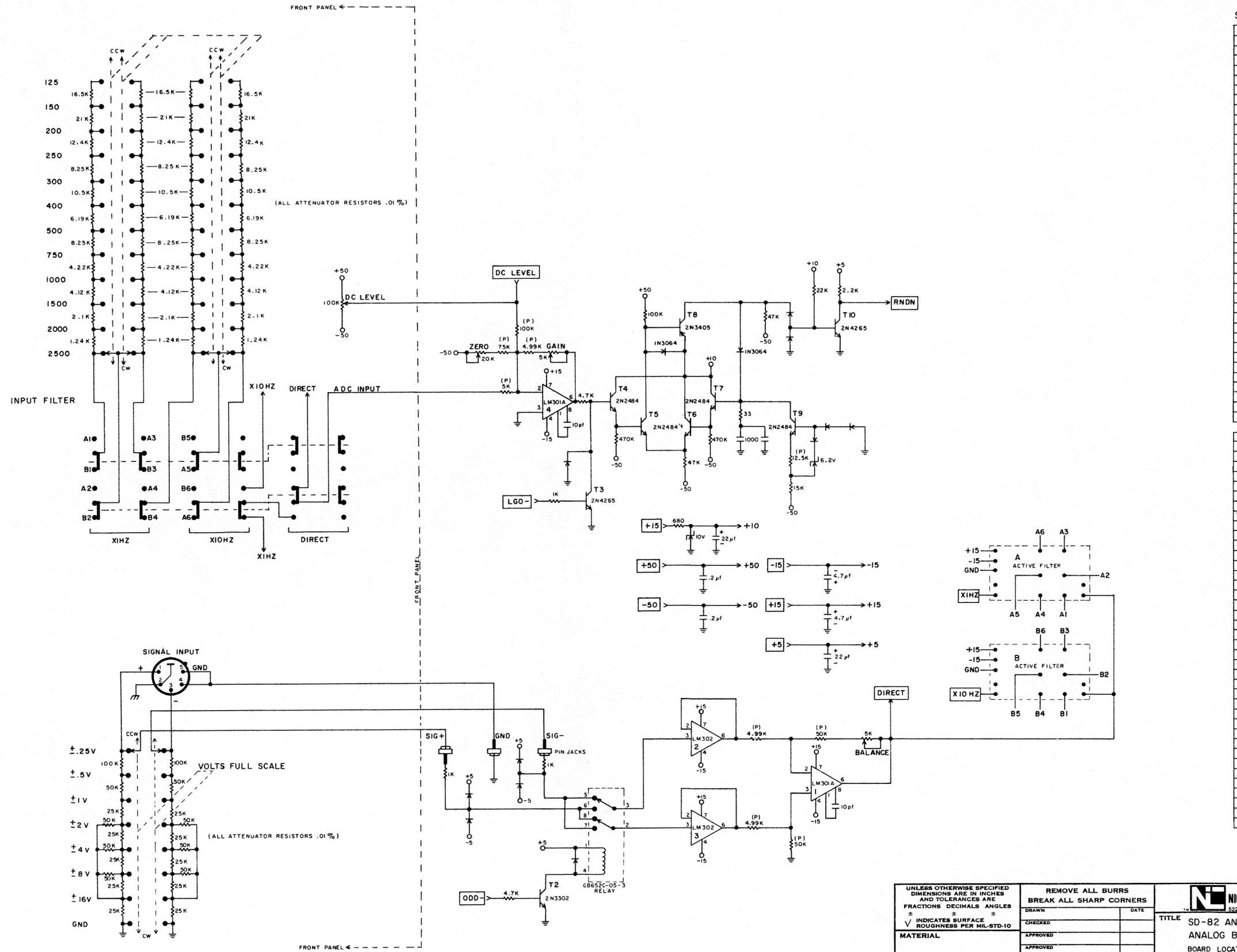
| | | | |
|---|-------------------------|-----------------------------|--|
| UNLESS OTHERWISE SPECIFIED DIMENSIONS ARE IN INCHES AND TOLERANCES ARE FRACTIONS DECIMALS ANGLES ± INDICATES SURFACE ROUGHNESS PER MIL-STD-10 | REMOVE ALL BURRS | DATE | NICOLET INSTRUMENT CORPORATION 5225 Verona Road, Madison, Wisconsin 53711 |
| | BREAK ALL SHARP CORNERS | TITLE | |
| | MATERIAL | POWER SUPPLY FOR MODEL 1080 | |
| | SPEC. FINISH | CODE IDENT. NO. | |
| NEXT ASS'Y | USED ON | SIZE | D |
| APPLICATION | SPEC. | SCALE | SHEET 1 of 1 |

| REVISIONS | | | |
|-----------|-------------|------|----------|
| SYM. ZONE | DESCRIPTION | DATE | APPROVED |
| | | | |



| | | | | | |
|---|--|---|------|--|---------------|
| UNLESS OTHERWISE SPECIFIED DIMENSIONS ARE IN INCHES FRACTIONS DECIMALS ANGLES ± | | REMOVE ALL BURRS BREAK ALL SHARP CORNERS | | 5225 Verona Road, Madison, Wisconsin 53711 | |
| ✓ INDICATES SURFACE ROUGHNESS PER MIL-STD-10 | | DRAWN | DATE | TITLE | |
| MATERIAL | | CHECKED | | POWER SUPPLY FOR MODEL 1080E | |
| SPEC. FINISH | | APPROVED | | CODE IDENT. NO. | SIZE DWG. NO. |
| NEXT ASS'Y USED ON APPLICATION | | APPROVED | | SCALE | SHEET |

| REVISIONS | | | |
|-----------|-------------|------|----------|
| SYM. ZONE | DESCRIPTION | DATE | APPROVED |
| | | | |



| SIGNAL | CONNECTOR PIN | TO |
|--------|---------------|--------|
| GND | D-1 | |
| +5 | D-3 | |
| -5 | D-5 | |
| | D-7 | |
| | D-9 | |
| | D-11 | |
| | D-13 | |
| | D-15 | |
| | D-17 | |
| | D-19 | |
| | D-21 | |
| | D-23 | |
| | D-27 | |
| | D-29 | |
| | D-31 | |
| | D-33 | |
| | D-35 | |
| | D-37 | |
| GND | D-39 | |
| | D-41 | |
| | D-43 | |
| | D-45 | |
| | D-47 | |
| | D-49 | |
| | D-51 | |
| | D-53 | |
| | D-55 | |
| | D-57 | |
| DIRECT | D-59 | FPB-20 |
| X10 HZ | D-61 | FPD-18 |
| X1 HZ | D-63 | FPC-18 |
| | D-65 | |
| | D-67 | |
| +15 | D-69 | |
| -15 | D-71 | |
| | D-73 | |
| | D-75 | |
| | D-77 | |
| +50 | D-79 | |

| | | |
|-----------|------|--------|
| GND | D-2 | |
| +5 | D-4 | |
| -5 | D-6 | |
| | D-8 | |
| RNDN | D-10 | G-36 |
| | D-12 | |
| | D-14 | |
| | D-16 | |
| | D-18 | |
| LGO- | D-20 | H-43 |
| | D-22 | |
| | D-24 | |
| | D-26 | |
| ADC INPUT | D-28 | FPA-20 |
| DC LEVEL | D-30 | FPA-6 |
| | D-32 | |
| | D-34 | |
| ODD- | D-36 | H-34 |
| | D-38 | |
| GND | D-40 | |
| | D-42 | |
| A3 | D-44 | FPA-17 |
| A2 | D-46 | FPB-15 |
| A1 | D-48 | FPB-17 |
| B3 | D-50 | FPA-16 |
| B2 | D-52 | FPA-15 |
| A6 | D-54 | FPA-19 |
| A5 | D-56 | FPA-18 |
| A4 | D-58 | FPB-14 |
| B6 | D-60 | FPB-19 |
| B5 | D-62 | FPB-18 |
| B1 | D-64 | FPB-16 |
| B4 | D-66 | FPA-14 |
| | D-68 | |
| | D-70 | |
| | D-72 | |
| | D-74 | |
| | D-76 | |
| | D-78 | |
| +50 | D-80 | |

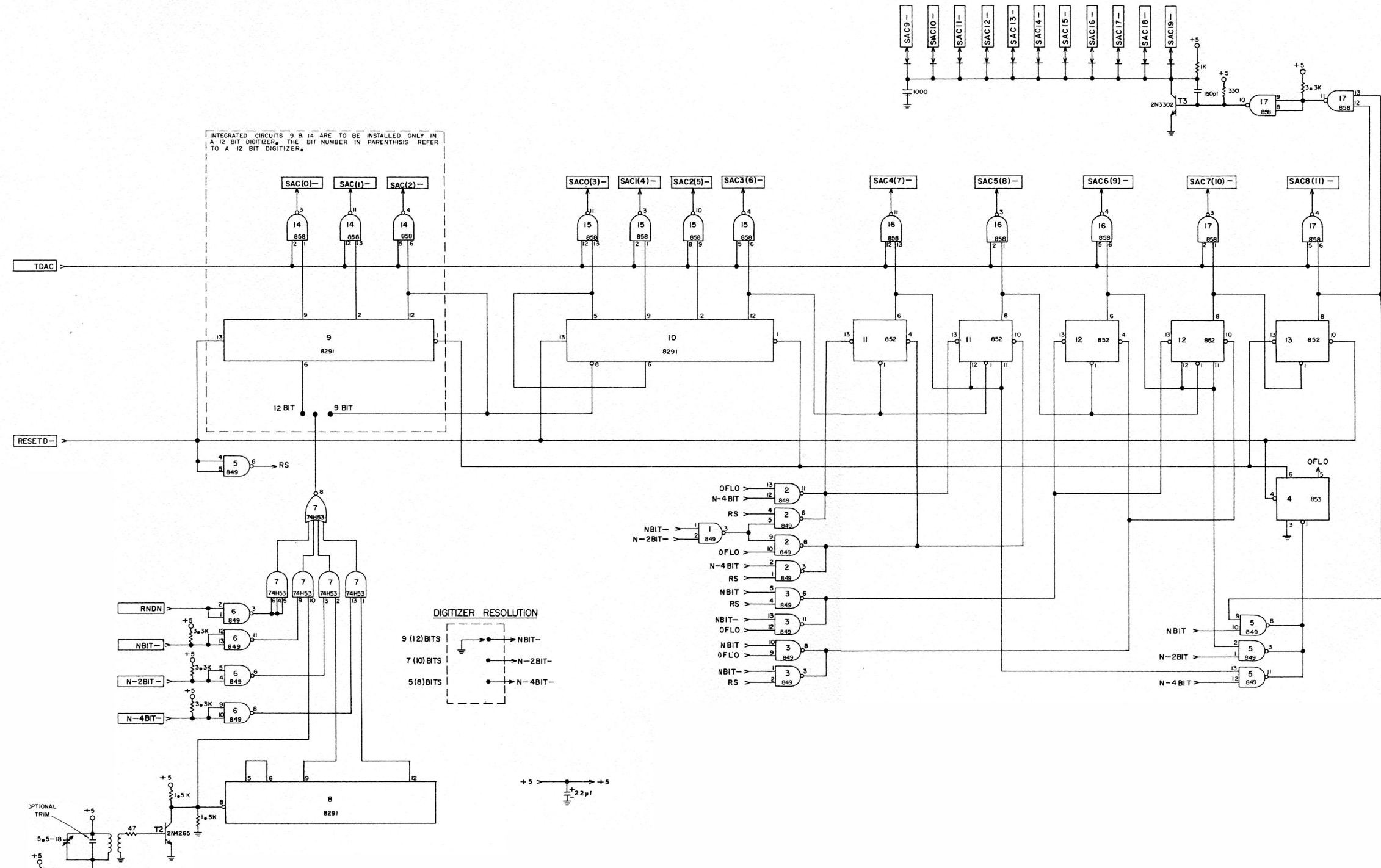
REV.

DIST. KEY

| | | | | |
|--|---|--|-----------------|--------------------------------|
| UNLESS OTHERWISE SPECIFIED DIMENSIONS ARE IN INCHES AND TOLERANCES ARE FRACTIONS DECIMALS ANGLES | REMOVE ALL BURRS BREAK ALL SHARP CORNERS | NICOLET INSTRUMENT CORPORATION 2225 Verona Road, Madison, Wisconsin 53711 | TITLE | SD-82 ANALOG/DIGITAL CONVERTER |
| MATERIAL | DRAWN | | CHECKED | APPROVED |
| SPEC. | NEXT ASS'Y | APPROVED | CODE IDENT. NO. | BOARD LOCATION "D" |
| FINISH | USED ON | | SIZE | D |
| APPLICATION | APPLICATION | | DWG. NO. | |
| | | | SCALE | SHEET |

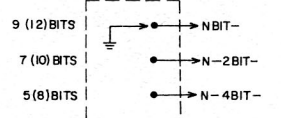
| REVISIONS | | | |
|-----------|------|-------------|------|
| SYM | ZONE | DESCRIPTION | DATE |
| | | | |
| | | | |

| CONNECTOR | | |
|-----------|------|--------|
| SIGNAL | PIN | TO |
| GND | G-1 | |
| +5 | G-3 | |
| -5 | G-5 | |
| | G-7 | |
| | G-9 | |
| | G-11 | |
| | G-13 | |
| | G-15 | |
| | G-17 | |
| | G-19 | |
| | G-21 | |
| | G-23 | |
| | G-25 | |
| | G-27 | |
| | G-29 | |
| SAC19- | G-31 | A-40 |
| SAC18- | G-33 | A-38 |
| SAC17- | G-35 | A-36 |
| SAC16- | G-37 | A-34 |
| GND | G-39 | GND |
| SAC15- | G-41 | A-32 |
| SAC14- | G-43 | A-30 |
| | G-45 | |
| | G-47 | |
| | G-49 | |
| | G-51 | |
| | G-53 | |
| | G-55 | |
| TDAC | G-57 | H-47 |
| SAC6- | G-59 | A-14 |
| SAC5- | G-61 | A-12 |
| SAC4- | G-63 | A-10 |
| SAC3- | G-65 | A-8 |
| | G-67 | |
| +15 | G-69 | |
| -15 | G-71 | |
| | G-73 | |
| -50 | G-75 | |
| | G-77 | |
| +50 | G-79 | |
| GND | G-2 | |
| +5 | G-4 | |
| -5 | G-6 | |
| | G-8 | |
| | G-10 | |
| | G-12 | |
| | G-14 | |
| | G-16 | |
| | G-18 | |
| | G-20 | |
| | G-22 | |
| | G-24 | |
| | G-26 | |
| | G-28 | |
| N-4BIT- | G-30 | FPC-20 |
| NBIT- | G-32 | FPC-19 |
| N-2BIT- | G-34 | FPC-19 |
| RNDN | G-36 | D-10 |
| RESETD- | G-38 | H-45 |
| GND | G-40 | |
| SAC13- | G-42 | A-28 |
| SAC12- | G-44 | A-26 |
| SAC11- | G-46 | A-24 |
| SAC10- | G-48 | A-22 |
| SAC9- | G-50 | A-20 |
| SAC8- | G-52 | A-18 |
| SAC7- | G-54 | A-16 |
| SAC1- | G-56 | A-4 |
| SAC2- | G-58 | A-6 |
| SAC0- | G-60 | A-2 |
| | G-62 | |
| | G-64 | |
| | G-66 | |
| | G-68 | |
| +15 | G-70 | |
| -15 | G-72 | |
| | G-74 | |
| -50 | G-76 | |
| | G-78 | |
| +50 | G-80 | |



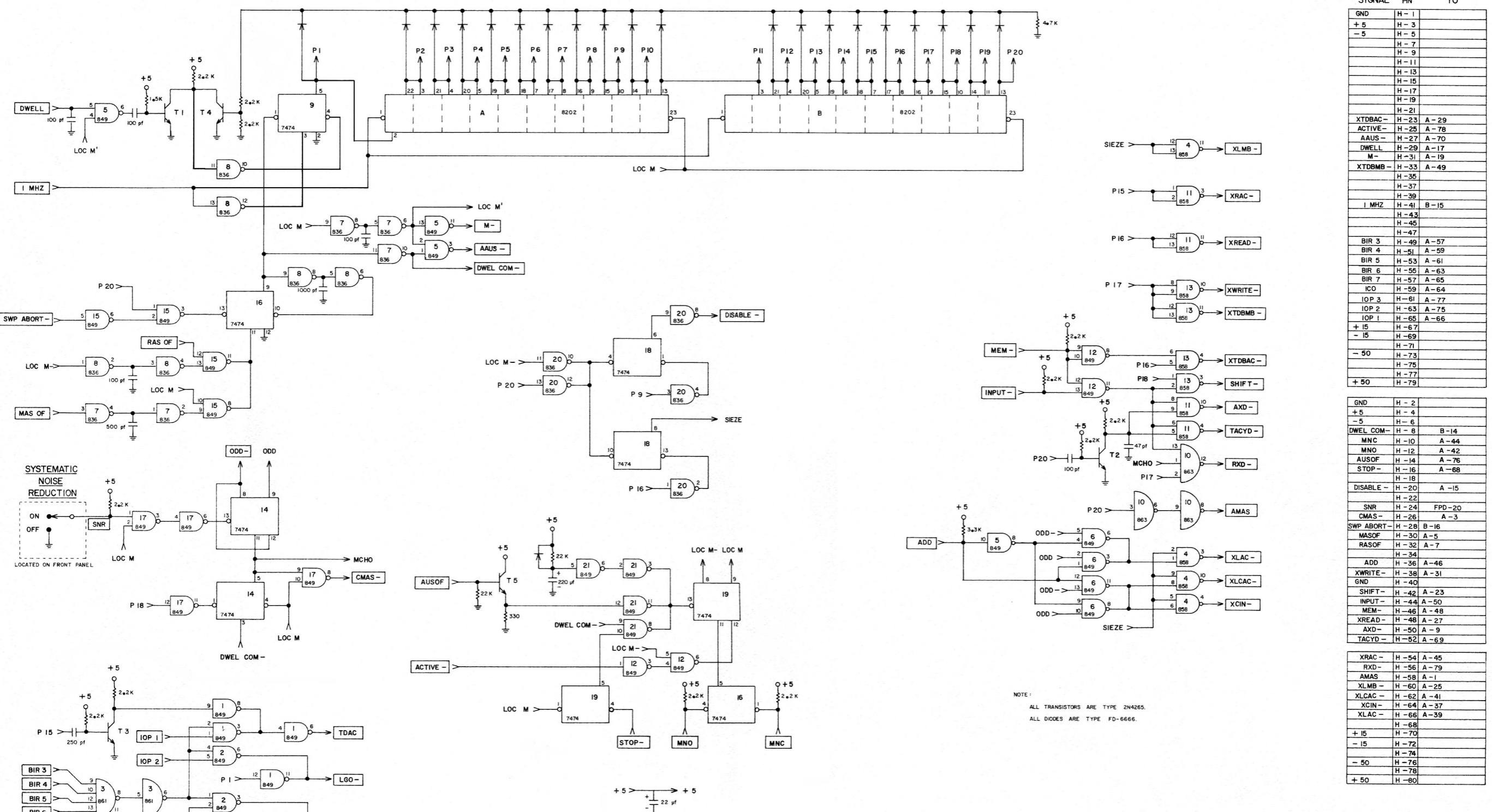
INTEGRATED CIRCUITS 9 & 14 ARE TO BE INSTALLED ONLY IN A 12 BIT DIGITIZER. THE BIT NUMBER IN PARENTHESIS REFER TO A 12 BIT DIGITIZER.

DIGITIZER RESOLUTION



| | | | |
|--|---|---|------|
| UNLESS OTHERWISE SPECIFIED DIMENSIONS ARE IN INCHES AND TOLERANCES ARE FRACTIONS DECIMALS ANGLES ± ± ± √ INDICATES SURFACE ROUGHNESS PER MIL-STD-10 | REMOVE ALL BURRS BREAK ALL SHARP CORNERS | NICOLET INSTRUMENT CORPORATION 5225 Verona Road, Madison, Wisconsin 53711 TITLE SD-82 ANALOG TO DIGITAL CONVERTER A/D DATA SCALER BOARD LOCATION "G" | |
| | DRAWN | | DATE |
| | CHECKED | | |
| | APPROVED | | |
| MATERIAL | | CODE IDENT. NO. | |
| SPEC. FINISH | | SIZE DWG. NO. | |
| NEXT ASS'Y USED ON APPLICATION | | SCALE SHEET | |

| REVISIONS | | | |
|-----------|-------------|------|----------|
| SYM. ZONE | DESCRIPTION | DATE | APPROVED |
| | | | |



| CONNECTOR | | |
|-----------|------|------|
| SIGNAL | PIN | TO |
| GND | H-1 | |
| +5 | H-3 | |
| -5 | H-5 | |
| | H-7 | |
| | H-9 | |
| | H-11 | |
| | H-13 | |
| | H-15 | |
| | H-17 | |
| | H-19 | |
| | H-21 | |
| XTDBAC- | H-23 | A-29 |
| ACTIVE- | H-25 | A-78 |
| AAUS- | H-27 | A-70 |
| DWELL | H-29 | A-17 |
| M- | H-31 | A-19 |
| XTDBMB- | H-33 | A-49 |
| | H-35 | |
| | H-37 | |
| 1 MHZ | H-41 | B-15 |
| | H-43 | |
| | H-45 | |
| | H-47 | |
| BIR 3 | H-49 | A-57 |
| BIR 4 | H-51 | A-59 |
| BIR 5 | H-53 | A-61 |
| BIR 6 | H-55 | A-63 |
| BIR 7 | H-57 | A-65 |
| ICO | H-59 | A-64 |
| IOP 3 | H-61 | A-77 |
| IOP 2 | H-63 | A-75 |
| IOP 1 | H-65 | A-66 |
| +15 | H-67 | |
| -15 | H-69 | |
| | H-71 | |
| | H-73 | |
| | H-75 | |
| | H-77 | |
| +50 | H-79 | |

| | | |
|------------|------|--------|
| GND | H-2 | |
| +5 | H-4 | |
| -5 | H-6 | |
| DWELL COM- | H-8 | B-14 |
| MNC | H-10 | A-44 |
| MNO | H-12 | A-42 |
| AUSOF | H-14 | A-76 |
| STOP | H-16 | A-68 |
| | H-18 | |
| DISABLE- | H-20 | A-15 |
| | H-22 | |
| SNR | H-24 | FPD-20 |
| CMAS- | H-26 | A-3 |
| SWP ABORT- | H-28 | B-16 |
| MASOF | H-30 | A-5 |
| | H-32 | A-7 |
| | H-34 | |
| ADD | H-36 | A-46 |
| XWRITE- | H-38 | A-31 |
| GND | H-40 | |
| SHIF T- | H-42 | A-23 |
| INPUT- | H-44 | A-50 |
| MEM- | H-46 | A-48 |
| XREAD- | H-48 | A-27 |
| AXD- | H-50 | A-9 |
| TACYD- | H-52 | A-69 |

| | | |
|--------|------|------|
| XRAC- | H-54 | A-45 |
| RXD- | H-56 | A-79 |
| AMAS | H-58 | A-1 |
| XLMB- | H-60 | A-25 |
| XLCAC- | H-62 | A-41 |
| XCIN- | H-64 | A-37 |
| XLAC- | H-66 | A-39 |
| | H-68 | |
| | H-70 | |
| | H-72 | |
| | H-74 | |
| | H-76 | |
| | H-78 | |
| +50 | H-80 | |

NOTE:
ALL TRANSISTORS ARE TYPE 2N4265.
ALL DIODES ARE TYPE FD-6666.

| | | | | | |
|--|--|---|--|----------|--|
| UNLESS OTHERWISE SPECIFIED DIMENSIONS ARE IN INCHES AND TOLERANCES ARE FRACTIONS DECIMALS ANGLES ± | | REMOVE ALL BURRS BREAK ALL SHARP CORNERS | | DATE | |
| ✓ INDICATES SURFACE ROUGHNESS PER MIL-STD-10 | | DRAWN B.C. | | CHECKED | |
| MATERIAL | | APPROVED | | APPROVED | |
| SPEC. FINISH | | APPROVED | | APPROVED | |
| NEXT ASS'Y USED ON APPLICATION | | SCALE | | SHEET | |

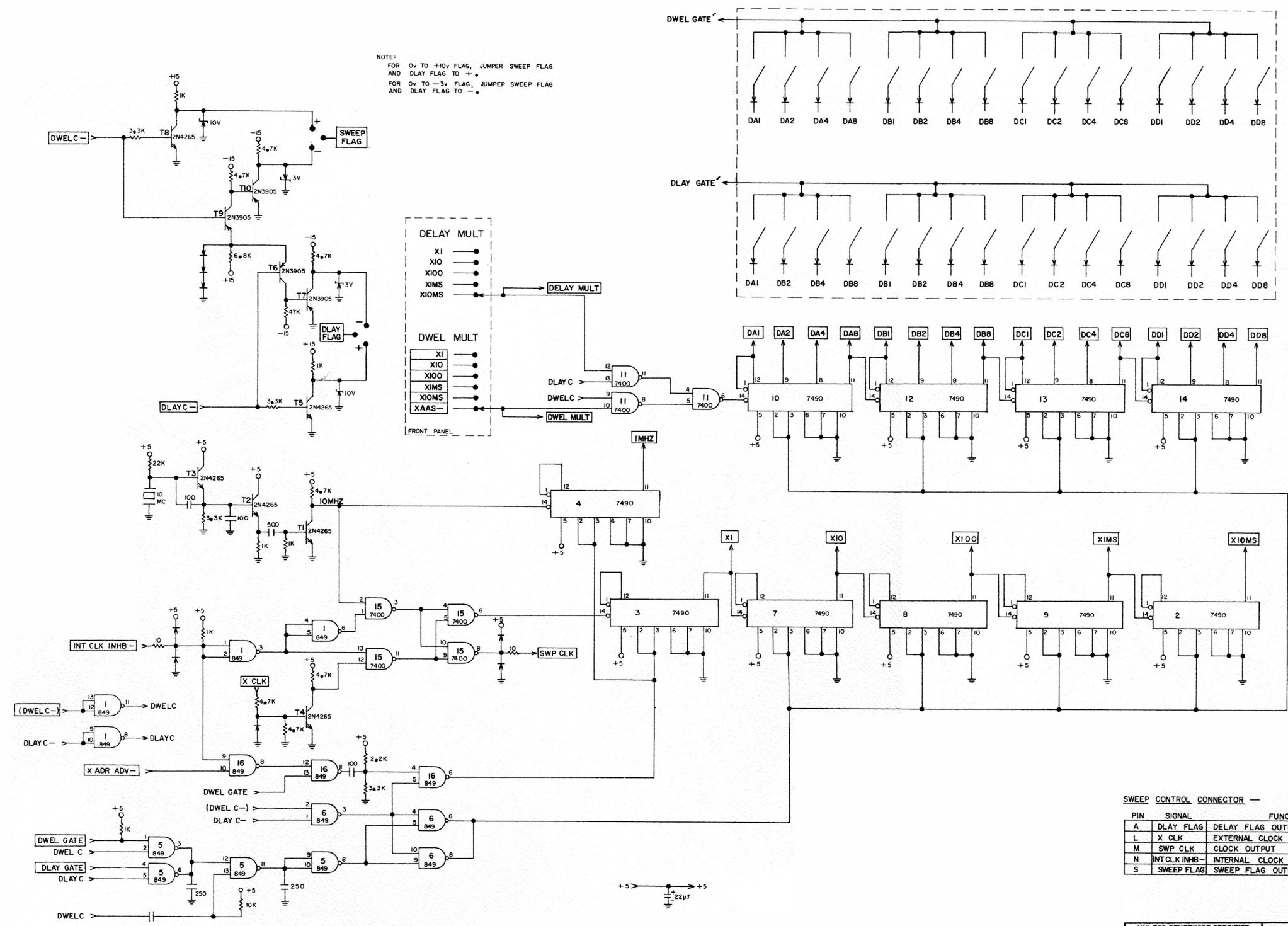
NICOLET INSTRUMENT CORPORATION
5225 Verona Road, Madison, Wisconsin 53711

TITLE
SD-82 ANALOG TO DIGITAL CONVERTER CONTROL LOGIC
BOARD LOCATION "H"

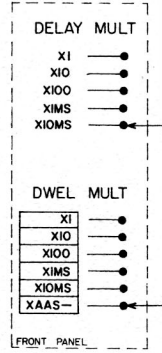
CODE IDENT. NO. **D** DWG. NO.

| REVISIONS | | | |
|-----------|------|-------------|------|
| SYM. | ZONE | DESCRIPTION | DATE |
| | | | |

| SIGNAL | CONNECTOR PIN | TO |
|------------|---------------|-----------|
| GND | C-1 | |
| +5 | C-3 | |
| -5 | C-5 | |
| | C-7 | |
| | C-9 | |
| | C-11 | |
| | C-13 | |
| | C-15 | |
| | C-17 | |
| | C-19 | |
| | C-21 | |
| | C-23 | |
| | C-25 | |
| | C-27 | |
| | C-29 | |
| | C-31 | |
| | C-33 | |
| | C-35 | |
| | C-37 | |
| GND | C-39 | |
| X ADR ADV- | C-41 | FPA-18 |
| | C-43 | |
| | C-45 | |
| | C-47 | |
| | C-49 | |
| | C-51 | |
| | C-53 | |
| DWEL C- | C-55 | H-17 |
| DELAY FLAG | C-57 | FPB-18 |
| SWEEPFLAG | C-59 | FPB-18 |
| DWEL GATE | C-61 | E-66 H-11 |
| DLAY GATE | C-63 | H-9 |
| INTCLKINH- | C-65 | FPD-19 |
| | C-67 | |
| +15 | C-69 | |
| -15 | C-71 | |
| | C-73 | |
| -50 | C-75 | |
| +50 | C-75 | |
| | C-79 | |
| GND | C-2 | |
| +5 | C-4 | |
| -5 | C-6 | |
| DD4 | C-8 | FPA-3 |
| DD2 | C-10 | FPC-2 |
| DB8 | C-12 | FPB-3 |
| DD1 | C-14 | FPB-2 |
| DC4 | C-16 | FPC-5 |
| DC2 | C-18 | FPB-5 |
| DC8 | C-20 | FPA-6 |
| DC1 | C-22 | FPA-5 |
| DB4 | C-24 | FPB-8 |
| DB2 | C-26 | FPA-8 |
| DB8 | C-28 | FPC-8 |
| DB1 | C-30 | FPC-7 |
| DELAY MULT | C-32 | FPC-15 |
| DWEL MULT | C-34 | FPA-16 |
| DA4 | C-36 | FPB-12 |
| DA2 | C-38 | FPA-12 |
| GND | C-40 | |
| DAB | C-42 | FPC-12 |
| DA1 | C-44 | FPC-11 |
| SWP CLK | C-46 | FPD-17 |
| X100 | C-48 | FPC-14 |
| X10 | C-50 | FPB-14 |
| X1 | C-52 | FPA-14 |
| (DWEL C-) | C-54 | H-13 |
| DLAY C- | C-56 | E-62 H-8 |
| X10MS | C-58 | FPB-15 |
| X1MS | C-60 | FPA-15 |
| 1MHZ | C-62 | B-15 |
| XCLK | C-64 | FPB-1B |
| | C-66 | |
| | C-68 | |
| +15 | C-70 | |
| -15 | C-72 | |
| | C-74 | |
| -50 | C-76 | |
| | C-78 | |
| +50 | C-80 | |



NOTE:
 FOR 0v TO +10v FLAG, JUMPER SWEEP FLAG
 AND DLAY FLAG TO +.
 FOR 0v TO -3v FLAG, JUMPER SWEEP FLAG
 AND DLAY FLAG TO -.

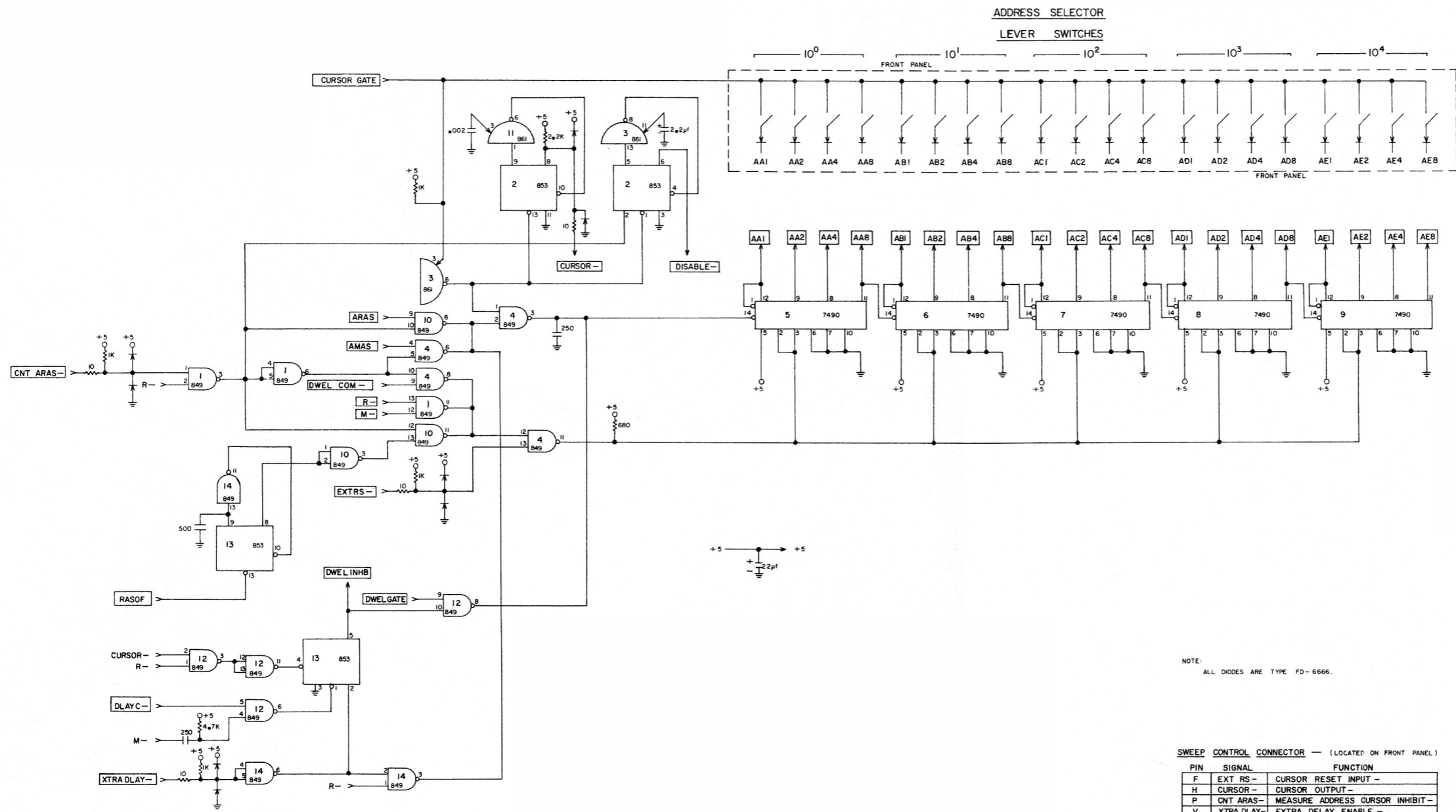


SWEEP CONTROL CONNECTOR

| PIN | SIGNAL | FUNCTION |
|-----|---------------|------------------------|
| A | DLAY FLAG | DELAY FLAG OUTPUT |
| L | X CLK | EXTERNAL CLOCK INPUT |
| M | SWP CLK | CLOCK OUTPUT |
| N | INT CLK INHB- | INTERNAL CLOCK INHIBIT |
| S | SWEEP FLAG | SWEEP FLAG OUTPUT |

| | | |
|--|-------------------------|--|
| UNLESS OTHERWISE SPECIFIED DIMENSIONS ARE IN INCHES AND TOLERANCES ARE FRACTIONS DECIMALS ANGLES ± √ INDICATES SURFACE ROUGHNESS PER MIL-STD-10 | REMOVE ALL BURRS | NICOLET INSTRUMENT CORPORATION 5225 Verona Road, Madison, Wisconsin 53711 |
| | BREAK ALL SHARP CORNERS | |
| | DRAWN _____ DATE _____ | |
| | CHECKED _____ | |
| MATERIAL _____ | APPROVED _____ | TITLE |
| SPEC. _____ | APPROVED _____ | SW-80 SWEEP CONTROL |
| FINISH _____ | | FREQ. DIVIDER |
| | | BOARD LOCATION "C" |
| NEXT ASS'Y _____ | USED ON _____ | CODE IDENT. NO. |
| APPLICATION _____ | SPEC. _____ | SIZE DWG. NO. |
| | | SCALE _____ |
| | | SHEET _____ |

| 2 REVISIONS | | | |
|-------------|-------------|------|----------|
| SYM. ZONE | DESCRIPTION | DATE | APPROVED |
| | | | |
| | | | |



| SIGNAL | CONNECTOR PIN | TO |
|-----------|---------------|------------|
| GND | E-1 | |
| +5 | E-3 | |
| -5 | E-5 | |
| | E-7 | |
| | E-9 | |
| | E-11 | |
| | E-13 | |
| | E-15 | |
| | E-17 | |
| | E-19 | |
| | E-21 | |
| | E-23 | |
| | E-25 | |
| | E-27 | |
| | E-29 | |
| | E-31 | |
| RASOF | E-33 | A-7 |
| ARAS | E-35 | A-11 |
| AA4 | E-37 | FPA-11 |
| GND | E-39 | |
| | E-41 | |
| | E-43 | |
| | E-45 | |
| | E-47 | |
| | E-49 | |
| | E-51 | |
| | E-53 | |
| | E-55 | |
| CNTARAS- | E-57 | FPD-20 |
| R- | E-59 | H-15, A-21 |
| | E-61 | |
| | E-63 | |
| XTRADLAY- | E-65 | FPD-16 |
| | E-67 | |
| +15 | E-69 | |
| -15 | E-71 | |
| -50 | E-73 | |
| -50 | E-75 | |
| +50 | E-77 | |
| +50 | E-79 | |

| | | |
|-------------|------|-----------------|
| GND | E-2 | |
| +5 | E-4 | |
| -5 | E-6 | |
| AE4 | E-8 | FPC-1 |
| AE2 | E-10 | FPB-1 |
| AE8 | E-12 | FPA-2 |
| AE1 | E-14 | FPA-1 |
| AD4 | E-16 | FPB-4 |
| AD2 | E-18 | FPA-4 |
| AD8 | E-20 | FPC-4 |
| AD1 | E-22 | FPC-3 |
| AC4 | E-24 | FPA-7 |
| AC2 | E-26 | FPC-6 |
| AC8 | E-28 | FPB-7 |
| AC1 | E-30 | FPB-6 |
| AB4 | E-32 | FPC-9 |
| AB2 | E-34 | FPB-9 |
| AB8 | E-36 | FPA-10 |
| AB1 | E-38 | FPA-9 |
| GND | E-40 | |
| AA2 | E-42 | FPC-10 |
| AA8 | E-44 | FPB-11 |
| AA1 | E-46 | FPB-10 |
| AMAS | E-48 | G-62, A-1 |
| DWEL COM- | E-50 | G-60, H-7, B-14 |
| EXTRS- | E-52 | FPB-20 |
| CURSOR GATE | E-54 | FPC-13 |
| DISABLE- | E-56 | A-15 |
| CURSOR- | E-58 | FPC-20 |
| M- | E-60 | H-57, A-19 |
| DLAYC- | E-62 | H-8, C-56 |
| DWEL INHB | E-64 | H-33 |
| DWEL GATE | E-66 | H-11, C-61 |
| | E-68 | |
| +15 | E-70 | |
| -15 | E-72 | |
| | E-74 | |
| -50 | E-76 | |
| | E-78 | |
| +50 | E-80 | |

NOTE: ALL DIODES ARE TYPE FD-6666.

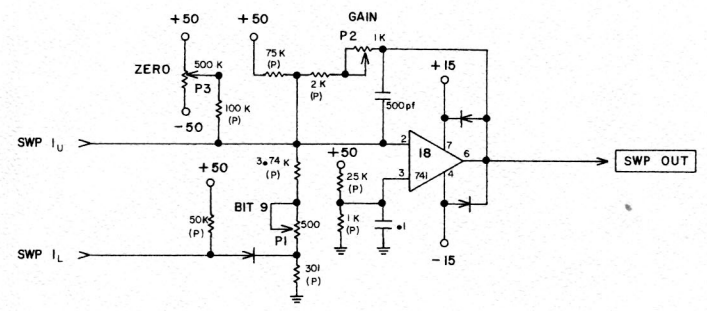
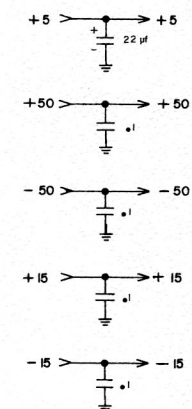
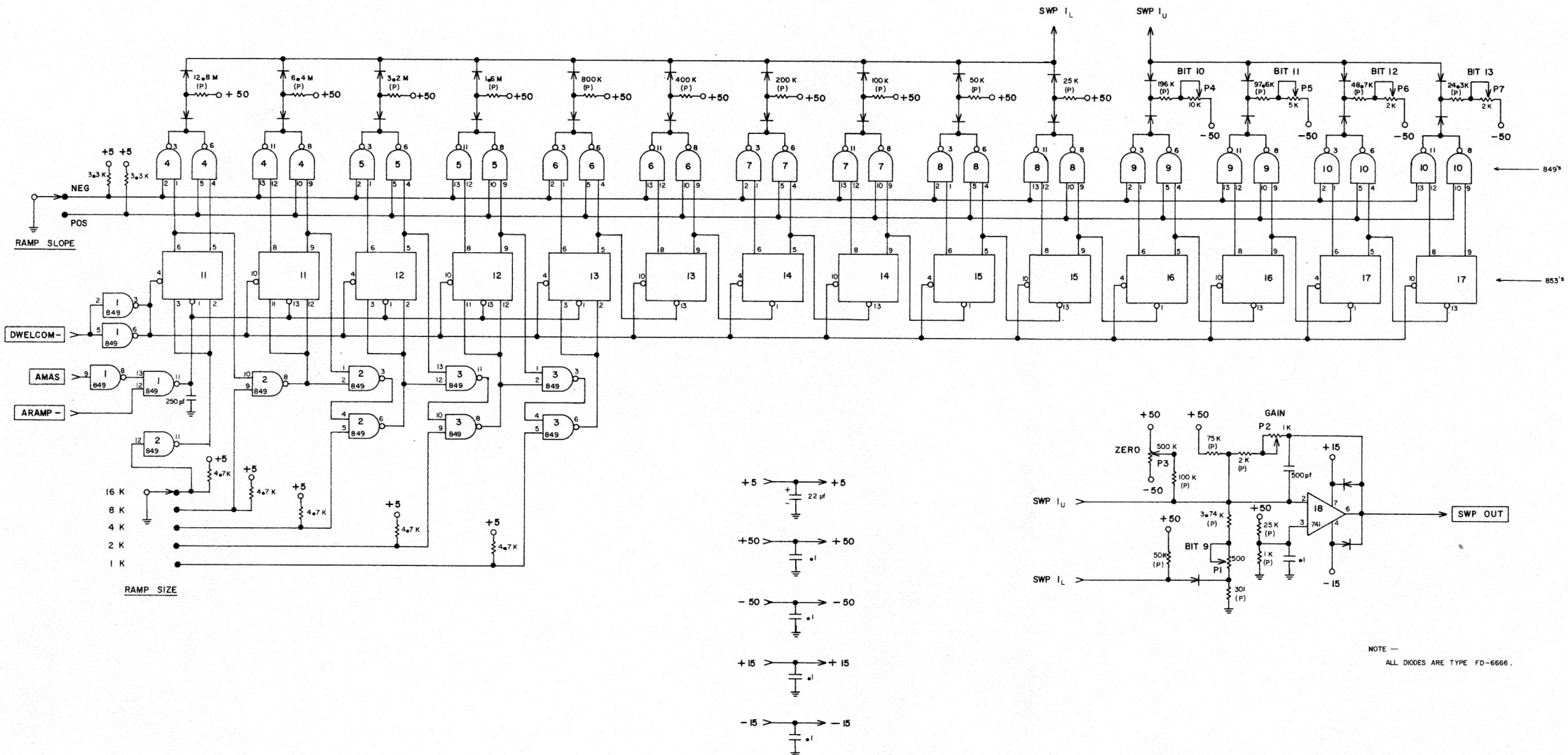
SWEEP CONTROL CONNECTOR (LOCATED ON FRONT PANEL)

| PIN | SIGNAL | FUNCTION |
|-----|------------|----------------------------------|
| F | EXT RS- | CURSOR RESET INPUT - |
| H | CURSOR - | CURSOR OUTPUT - |
| P | CNT ARAS- | MEASURE ADDRESS CURSOR INHIBIT - |
| V | XTRA DLAY- | EXTRA DELAY ENABLE - |

| | | | |
|---|--|----------------|--|
| UNLESS OTHERWISE SPECIFIED DIMENSIONS ARE IN INCHES AND TOLERANCES ARE FRACTIONS DECIMALS ANGLES ± √ INDICATES SURFACE ROUGHNESS PER MIL-STD-10 | REMOVE ALL BURRS DRAWN ALL SHARP CORNERS | | NICOLET INSTRUMENT CORPORATION 5225 Verona Road, Madison, Wisconsin 53711 |
| | DRAWN _____ DATE _____ | | |
| MATERIAL | CHECKED _____ | APPROVED _____ | SW-80 SWEEP CONTROL ADDRESS CURSOR BOARD LOCATION "E" |
| SPEC. FINISH | | | CODE IDENT. NO. _____ SIZE _____ DWG. NO. _____ |
| NEXT ASS'Y USED ON APPLICATION | | | SCALE _____ SHEET _____ |

| REVISIONS | | DATE | APPROVED |
|-----------|------|-------------|----------|
| SYM. | ZONE | DESCRIPTION | |

| CONNECTOR | | |
|-----------|------|-----------------|
| SIGNAL | PIN | TO |
| GND | G-1 | |
| +5 | G-3 | |
| -5 | G-5 | |
| | G-7 | |
| | G-9 | |
| | G-11 | |
| | G-13 | |
| | G-15 | |
| | G-17 | |
| | G-19 | |
| | G-21 | |
| | G-23 | |
| | G-25 | |
| | G-27 | |
| | G-29 | |
| | G-31 | |
| | G-33 | |
| | G-35 | |
| | G-37 | |
| GND | G-39 | |
| | G-41 | |
| | G-43 | |
| | G-45 | |
| | G-47 | |
| | G-49 | |
| | G-51 | |
| | G-53 | |
| | G-55 | |
| | G-57 | |
| | G-59 | |
| | G-61 | |
| | G-63 | |
| | G-65 | |
| | G-67 | |
| +15 | G-69 | |
| -15 | G-71 | |
| | G-73 | |
| -50 | G-75 | |
| | G-77 | |
| +50 | G-79 | |
| GND | G-2 | |
| +5 | G-4 | |
| -5 | G-6 | |
| | G-8 | |
| | G-10 | |
| | G-12 | |
| | G-14 | |
| | G-16 | |
| | G-18 | |
| | G-20 | |
| | G-22 | |
| | G-24 | |
| | G-26 | |
| | G-28 | |
| | G-30 | |
| | G-32 | |
| | G-34 | |
| | G-36 | |
| | G-38 | |
| GND | G-40 | |
| | G-42 | |
| | G-44 | |
| | G-46 | |
| | G-48 | |
| | G-50 | |
| | G-52 | |
| | G-54 | |
| | G-56 | |
| ARAMP- | G-58 | H-31 |
| DWELCOM- | G-60 | B-14, E-50, H-7 |
| AMAS | G-62 | A-1, E-48 |
| SWP OUT | G-64 | FPA-20 |
| | G-66 | |
| | G-68 | |
| +15 | G-70 | |
| -15 | G-72 | |
| | G-74 | |
| -50 | G-76 | |
| | G-78 | |
| +50 | G-80 | |



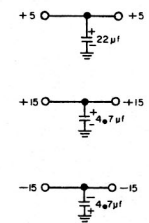
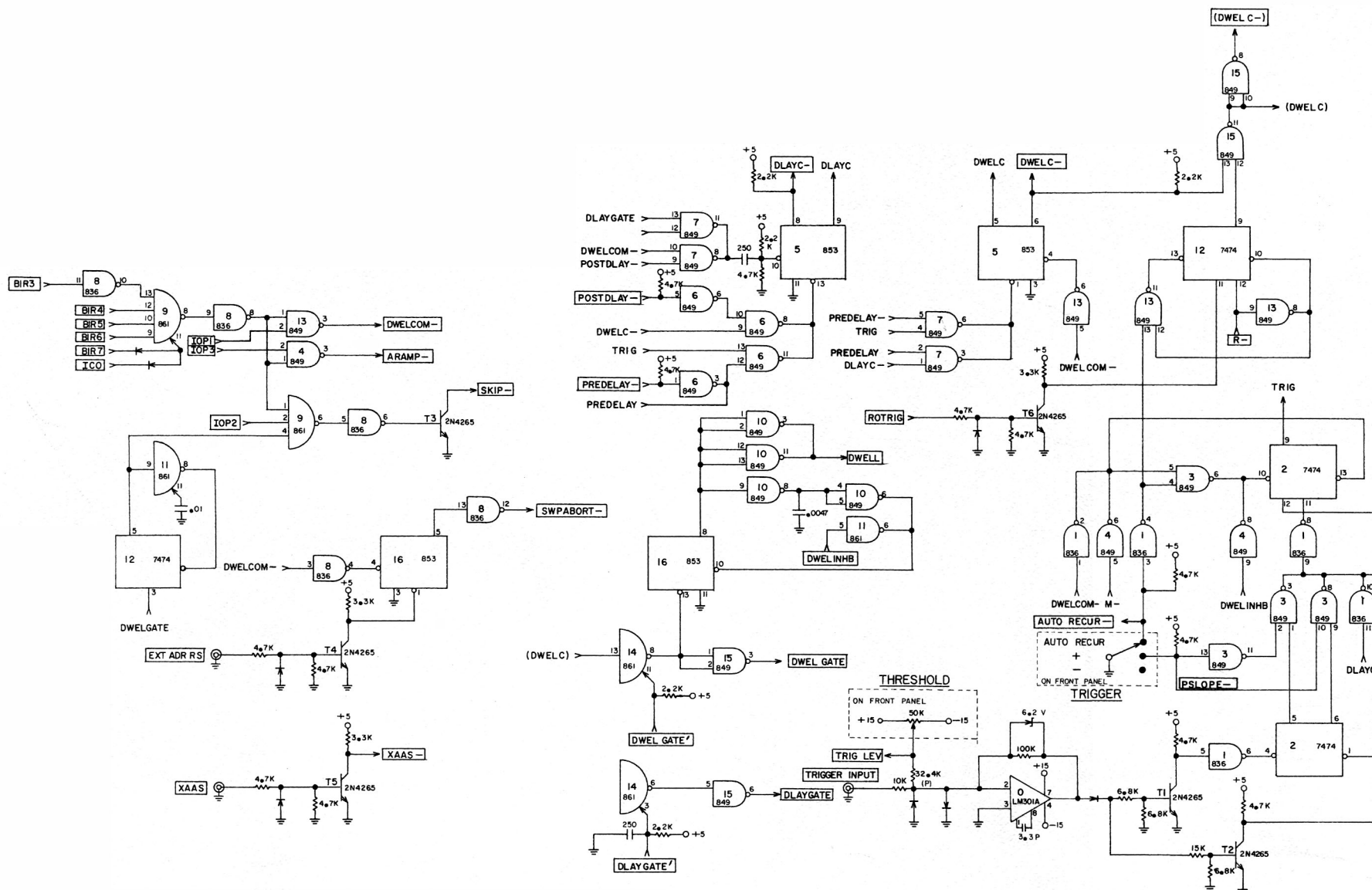
NOTE — ALL DIODES ARE TYPE FD-6666.

SWEEP CONTROL CONNECTOR — (LOCATED ON FRONT PANEL)

| PIN | SIGNAL | FUNCTION |
|-----|---------|-------------------|
| E | SWP OUT | SWEEP RAMP OUTPUT |

| | | |
|---|---|---|
| UNLESS OTHERWISE SPECIFIED DIMENSIONS ARE IN INCHES AND TOLERANCES ARE FRACTIONS DECIMALS ANGLES ± ± ± √ INDICATES SURFACE ROUGHNESS PER MIL-STD-10 | REMOVE ALL BURRS BREAK ALL SHARP CORNERS | NICOLETT INSTRUMENT CORPORATION 5223 Verona Road, Madison, Wisconsin 53711 |
| | DRAWN B.C. | |
| MATERIAL | CHECKED | BOARD LOCATION "G" |
| SPEC. FINISH | APPROVED | CODE IDENT. NO. |
| NEXT ASS'Y USED ON APPLICATION | | SIZE DWG. NO. D |
| | | SCALE SHEET |

| REVISIONS | | | |
|-----------|-------------|------|----------|
| SYM. ZONE | DESCRIPTION | DATE | APPROVED |



| SIGNAL | CONNECTOR | TO |
|-------------|-----------|------------------|
| CND | H-1 | |
| +5 | H-3 | |
| -5 | H-5 | |
| DWELCOM- | H-7 | G-60, E-50, B-14 |
| DLAYGATE | H-9 | C-63 |
| DWELGATE | H-11 | E-66, C-61 |
| (DWELC-) | H-13 | C-54 |
| R- | H-15 | E-59, A-21 |
| DWELC- | H-17 | C-55 |
| IOP1 | H-19 | A-66 |
| PREDELAY- | H-21 | FPB-16 |
| POSTDLAY- | H-23 | FPC-16 |
| PSLOPE- | H-25 | FPA-17 |
| AUTO RECUR- | H-27 | FPB-17 |
| IOP3 | H-29 | A-77 |
| ARAMP- | H-31 | G-58 |
| DWEL INHB | H-33 | E-64 |
| | H-35 | |
| | H-37 | |
| GND | H-39 | |
| XAAS - | H-41 | FPD-14 |
| | H-43 | |
| | H-45 | |
| | H-47 | |
| | H-49 | |
| | H-51 | |
| | H-53 | |
| | H-55 | |
| M- | H-57 | E-60, A-19 |
| | H-59 | |
| | H-61 | |
| | H-63 | |
| | H-65 | |
| | H-67 | |
| +15 | H-69 | |
| -15 | H-71 | |
| | H-73 | |
| -50 | H-75 | |
| +50 | H-77 | |

| | | |
|-----------|------|-----------|
| GND | H-2 | |
| +5 | H-4 | |
| -5 | H-6 | |
| DLAYC- | H-8 | E-62 C-56 |
| | H-10 | |
| | H-12 | |
| | H-14 | |
| ROTRIG | H-16 | FPD-15 |
| | H-18 | |
| | H-20 | |
| | H-22 | |
| | H-24 | |
| | H-26 | |
| | H-28 | |
| | H-30 | |
| DWELGATE' | H-32 | FPA-13 |
| DLAYGATE' | H-34 | FPB-13 |
| DWELL | H-36 | A-17 |
| | H-38 | |
| GND | H-40 | |
| IOP2 | H-42 | A-75 |
| BIR7 | H-44 | A-65 |
| ICO | H-46 | A-64 |
| BIR6 | H-48 | A-63 |
| BIR5 | H-50 | A-61 |
| BIR4 | H-52 | A-59 |
| BIR3 | H-54 | A-57 |
| SWPABORT- | H-56 | B-16 |
| SKIP - | H-58 | A-33 |
| EXTADRRS | H-60 | FPA-19 |
| XAAS | H-62 | FPB-19 |
| TRIGINPUT | H-64 | FPC-19 |
| TRIG LEV | H-66 | FPC-17 |
| | H-68 | |
| +15 | H-70 | |
| -15 | H-72 | |
| | H-74 | |
| -50 | H-76 | |
| | H-78 | |
| +50 | H-80 | |

SWEEP CONTROL CONNECTOR (LOCATED ON FRONT PANEL)

| PIN | SIGNAL | FUNCTION |
|-----|------------|--------------------------------|
| C | EXT ADRRS | EXTERNAL ADDRESS RESET INPUT |
| D | TRIG INPUT | TRIGGER INPUT |
| K | XAAS | EXTERNAL ADDRESS ADVANCE INPUT |
| U | RO TRIG | REAL TIME READOUT TRIGGER |

| | | | | |
|---|---|-----------------|--|-------|
| UNLESS OTHERWISE SPECIFIED DIMENSIONS ARE IN INCHES AND TOLERANCES ARE FRACTIONS DECIMALS ANGLES ± ± ± ✓ INDICATES SURFACE ROUGHNESS PER MIL-STD-10 | REMOVE ALL BURRS BREAK ALL SHARP CORNERS | | NICOLET INSTRUMENT CORPORATION 5225 Verona Road, Madison, Wisconsin 53711 | |
| | DRAWN | DATE | | TITLE |
| | CHECKED | | | |
| | APPROVED | | | |
| MATERIAL | | | | |
| SPEC. | | | | |
| FINISH | | | | |
| NEXT ASS'Y | USED ON | CODE IDENT. NO. | SIZE DWG. NO. | |
| APPLICATION | SPEC. | D | | |
| | | SCALE | SHEET | |