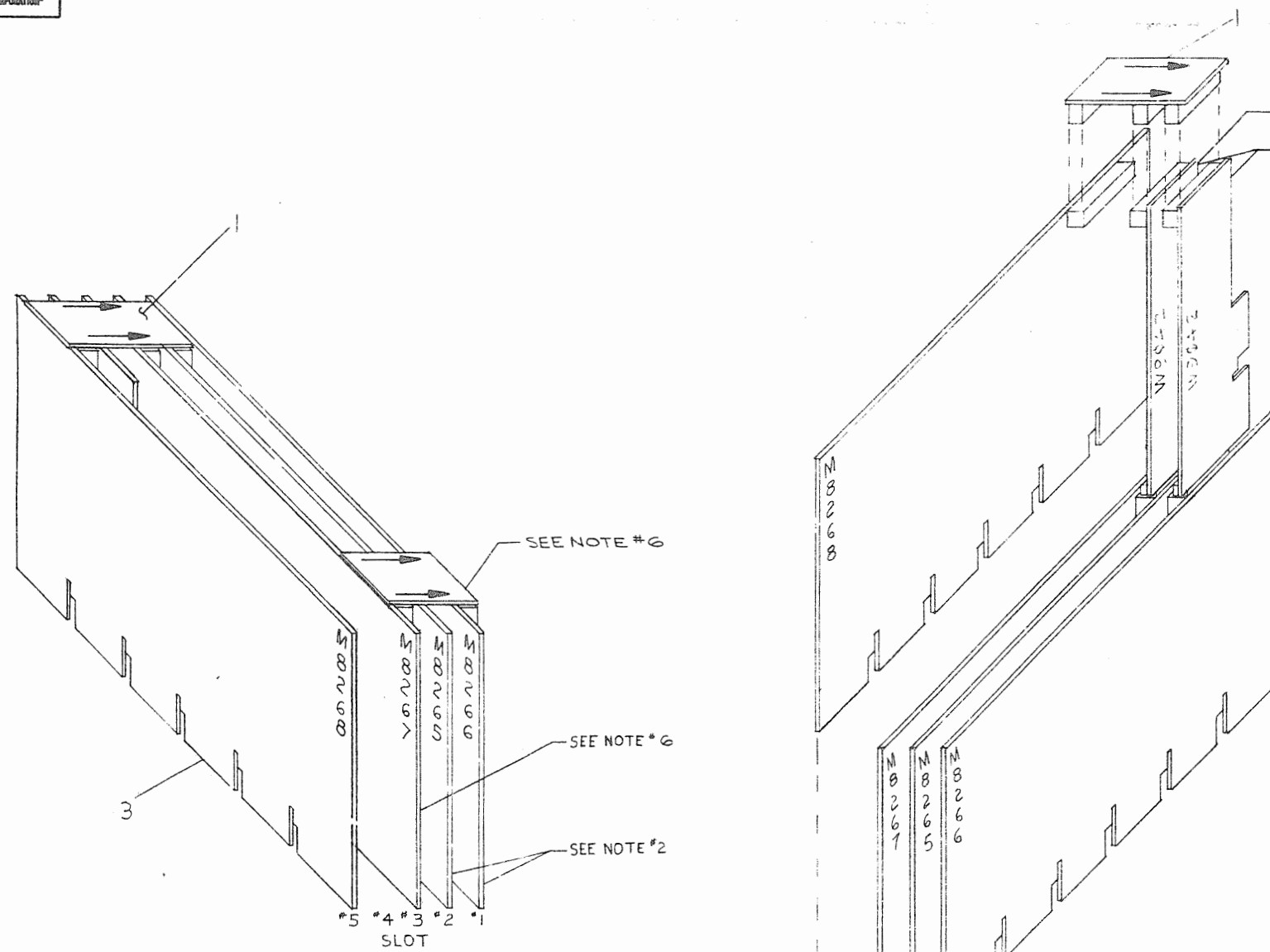




THIS DRAWING AND SPECIFICATIONS, HEREIN, ARE THE PROPERTY OF DIGITAL EQUIPMENT CORPORATION AND SHALL NOT BE REPRODUCED OR COPIED OR USED IN WHOLE OR IN PART AS THE BASIS FOR THE MANUFACTURE OR SALE OF ITEMS WITHOUT WRITTEN PERMISSION.
 © DIGITAL EQUIPMENT CORPORATION

NOTES:

1. THE W9042 EXTENDER BD. ASSY. IS STORED IN THE BACKPLANE AND IS USED FOR SOME MAINTENANCE OPERATIONS.
2. MODULES M8265 AND M8266 ARE PART OF KD11-EA AND ARE SHOWN FOR REF. ONLY.
3. ALL CONFIGURATIONS SHOWN ARE USED IN THE BA11-K (10 1/2 INCH BOX) OR BA11-L (5 1/4 BOX).
4. CONFIGURATION C SHOWS SLOT 3 UTILIZATION FOR EITHER KK11-A OR FP11-A WHEN ONLY ONE IS PRESENT.
5. CONFIGURATIONS B & D SHOW TYPICAL MAINTENANCE SET UP.
6. M8267, 5412416 AND W9042 ARE PART OF FP11-A AND ARE SHOWN FOR REF. ONLY.



CONFIGURATION "A"
SEE NOTE #3

CONFIGURATION "B"
SEE NOTE #5

1	PLASTIC BAG, 9"X12"	99-05129-25	5
1	RESISTOR 1K, 1/4W, 1%	13-03114-00	4
1	CACHE MEMORY (KK11-A)	D-UA-M8268-B-0	3
1	BOARD, INTERCONN 40 PIN	D-UA-H8821-B-0	2
1	TRICONN BOARD	D-UA-H8822-B-0	1

DESCRIPTION	DWG./PART NO.	ITEM NO.			
UNLESS OTHERWISE SPECIFIED DIMENSIONS ARE IN INCHES					
ANGLES 90°/30°	CLASS OF ACCURACY	NOMINAL DIMENSION RANGE INCHES			
SURFACE QUALITY IN	(CHECK ONE)	OVER 0.2 TO 0.2	OVER 1.2 TO 4.0	OVER 12.0 TO 40.0	OVER 40.0 TO 60.0
		MEDIUM	±.004 ±.005 ±.012 ±.016 ±.024 ±.04		
QUANTITY & VARIATION	MICROINCHES	PREFERRED	±.012 ±.016 ±.025 ±.04 ±.063 ±.1		

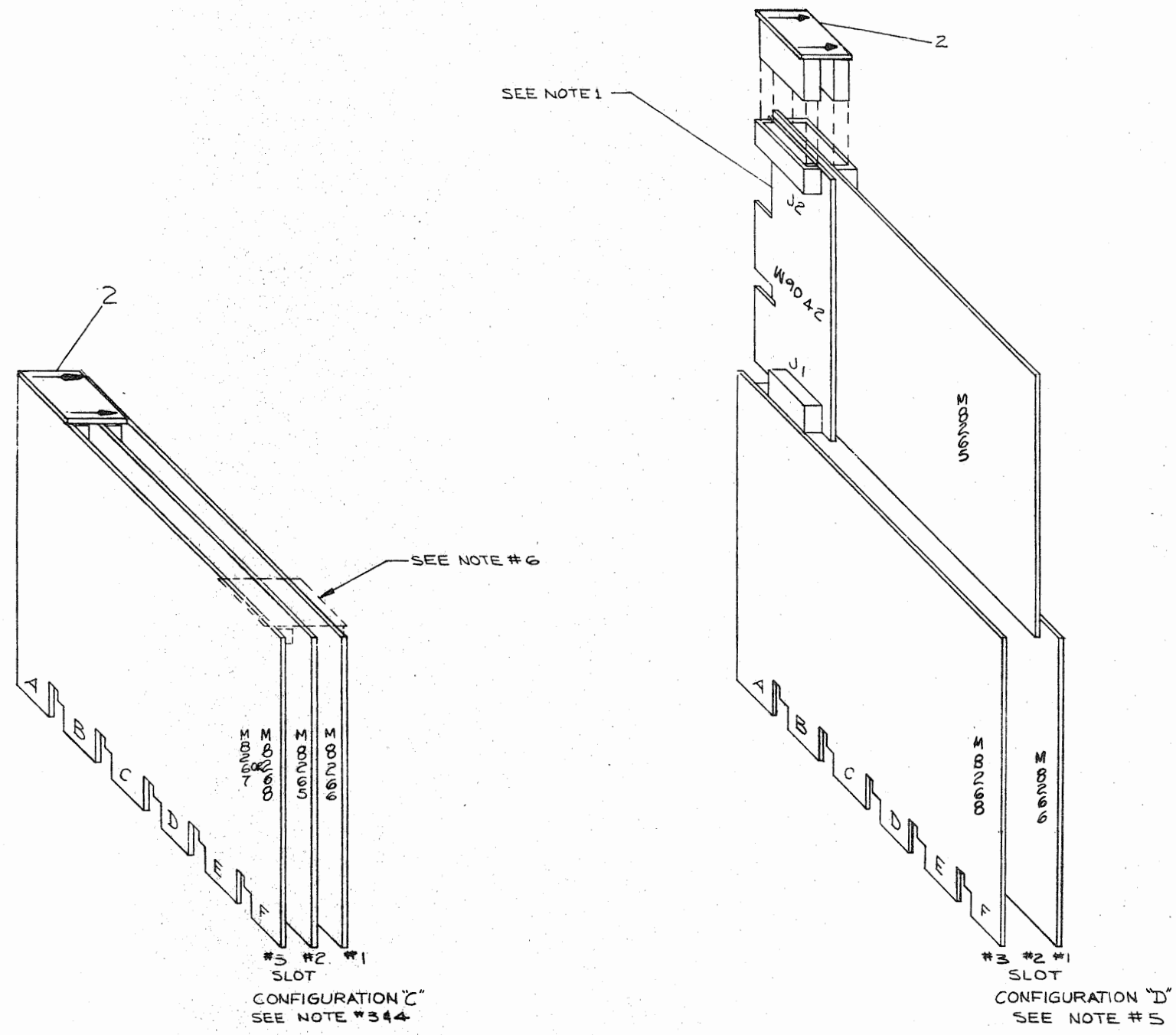
THIRD ANGLE PROJECTION	DRN. <i>R. Wadell</i> 25 JAN 78	FIRST USED ON 11-34A
REMOVE BURRS AND BREAK SHARP CORNERS	CHK'D <i>R. Wadell</i>	TITLE
DO NOT SCALE DWG	PROJ. ENG. <i>R. Wadell</i>	CACHE MEMORY OPTION
MATERIAL SEE PARTS LIST	PROD. <i>R. Wadell</i>	SIZE CODE NUMBER REV.
FINISH	NEXT HIGHER ASSY.	D UA KK11-A-0 C
	SCALE NONE	SHEET 1 OF 2
		DIST. TW 1

REV.	
CHANGE NO.	
CHK	

DEC FORM 88 1004

THIS DRAWING AND SPECIFICATIONS HEREIN ARE THE PROPERTY OF DIGITAL EQUIPMENT CORPORATION AND SHALL NOT BE REPRODUCED OR COPIED OR USED IN WHOLE OR IN PART AS THE BASIS FOR THE MANUFACTURE OR SALE OF ITEMS WITHOUT WRITTEN PERMISSION. COPYRIGHT © 1975 DIGITAL EQUIPMENT CORPORATION

DUAL-K11-A-0 2



CONFIGURATION "C"
SEE NOTE #3 & 4

CONFIGURATION "D"
SEE NOTE #5

REVISIONS		
CHK	CHANGE NO.	REV.

TITLE	SIZE/CODE	NUMBER	REV.
CACHE MEMORY OPTION	DUAL K11-A-0		C
SCALE NONE	SHEET 2 OF 2	DIST.	

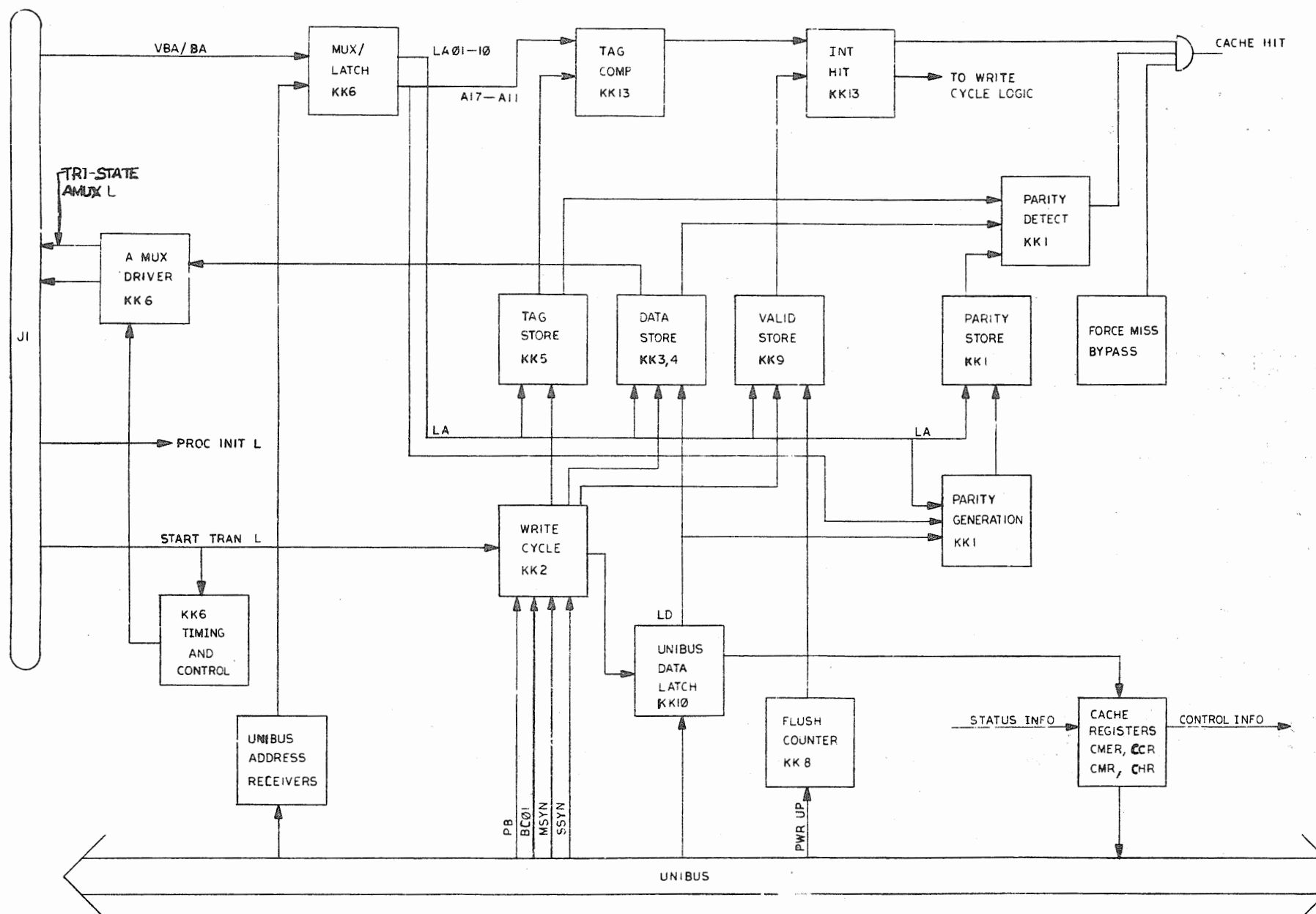
DEC 1975 DR. 000 137

TW 1

6

"THIS DRAWING AND SPECIFICATIONS HEREIN ARE THE PROPERTY OF DIGITAL EQUIPMENT CORPORATION AND SHALL NOT BE REPRODUCED OR COPIED OR USED IN WHOLE OR IN PART AS THE BASIS FOR THE MANUFACTURE OR SALE OF ITEMS WITHOUT WRITTEN PERMISSION. COPYRIGHT © 1978 DIGITAL EQUIPMENT CORPORATION"

8 7 6 5 4 3 2 1



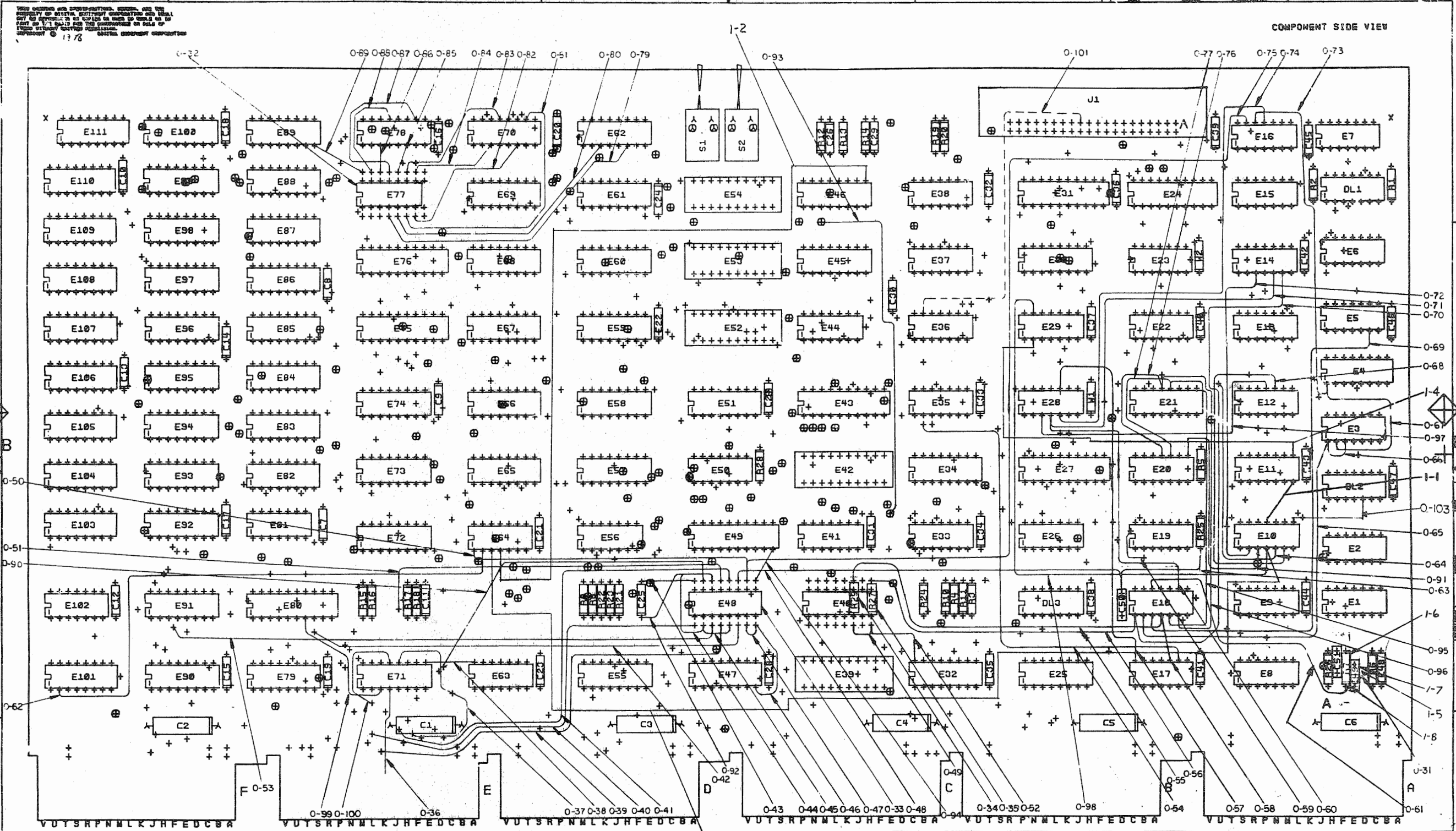
CACHE RESPONSE MATRIX

	DMA		CPU	
	MISS	HIT	HIT	MISS
READ	NOTHING	NOTHING	CACHE READ	WRITE DATA WRITE TAG WRITE VALID
READ BYPASS	NOTHING	INVALIDATE	INVALIDATE	NOTHING
WRITE BYPASS	NOTHING	INVALIDATE	INVALIDATE	NOTHING
WRITE	NOTHING	INVALIDATE	WRITE DATA WRITE VALID	NOTHING

REVISIONS

REV.	CHANGE NO.

DRN. <i>Joseph</i>	23 MAR 72	FIRST USED ON	KK11-A	digital
CHK'D	<i>Joseph</i>	TITLE	CACHE MEMORY OPTION	
ENG.	<i>Joseph</i>			
PROJ. ENG.				
PROD.				
NEXT HIGHER ASSY.				
D-UA-KK11-A-0	SIZE	CODE	NUMBER	REV.
SCALE NONE	D	BD	KK11-A-1	C
SHEET	OF	DIST.		



NOTES:

CHK	CHANGE NO	REV
M	8268-TM001	D
M	BLAKE	

ETD: REV.	D
P.C. DESIGN DATA BRSE REV.	D

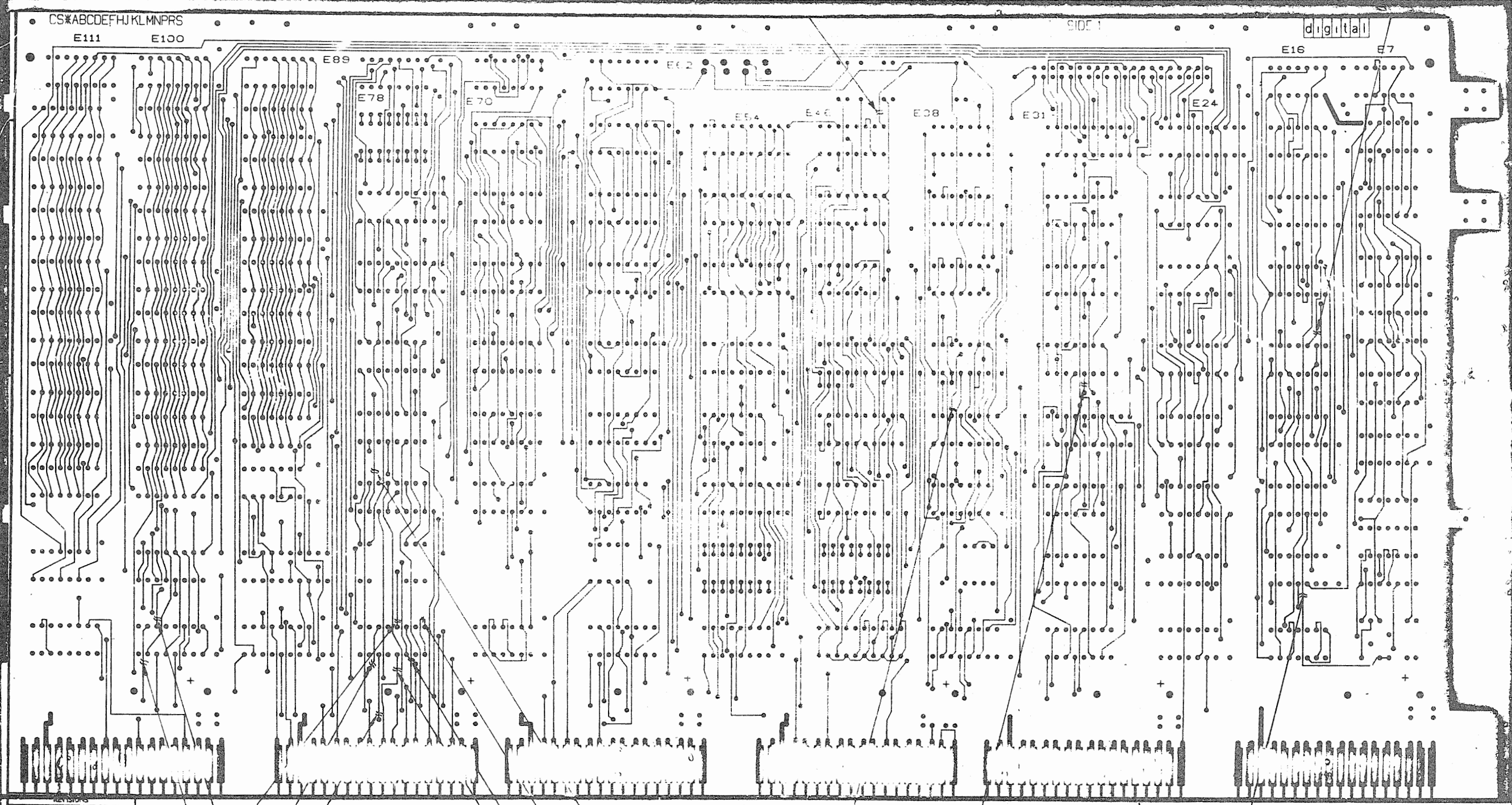
SIGNATURES	DATE	TITLE
DRN. <i>M. Blake</i>	3-6-78	digital
CHK'D. R. DAY	3-13-78	
ENG. <i>P. Day</i>	7-10-78	
PROJ. ENG. <i>P. Day</i>	7-10-78	11/34 CACHE
PROD. <i>P. Day</i>	7-4-77	
SCALE 1/2" = 1"		SIZE CODE NUMBER REV
SMT. 1 OF 8		D UA M8268-00 D
NEXT NUMBER ASSY. B-DD M8268-0		

"THIS DRAWING AND SPECIFICATIONS, HEREIN, ARE THE PROPERTY OF DIGITAL EQUIPMENT CORPORATION AND SHALL NOT BE REPRODUCED OR COPIED OR USED IN WHOLE OR IN PART AS THE BASIS FOR THE MANUFACTURE OR SALE OF ANY DEVICE WITHOUT THE WRITTEN PERMISSION OF DIGITAL EQUIPMENT CORPORATION."

DUA M8268-0-0 2

M8268 SC:2524D

LAYER 1



CHK	CHANGE NO.	REV.	0-1	0-2	0-3	0-4	0-5	0-6	0-7	0-8	0-9	WITHOUT INK	0-11	0-10	0-12

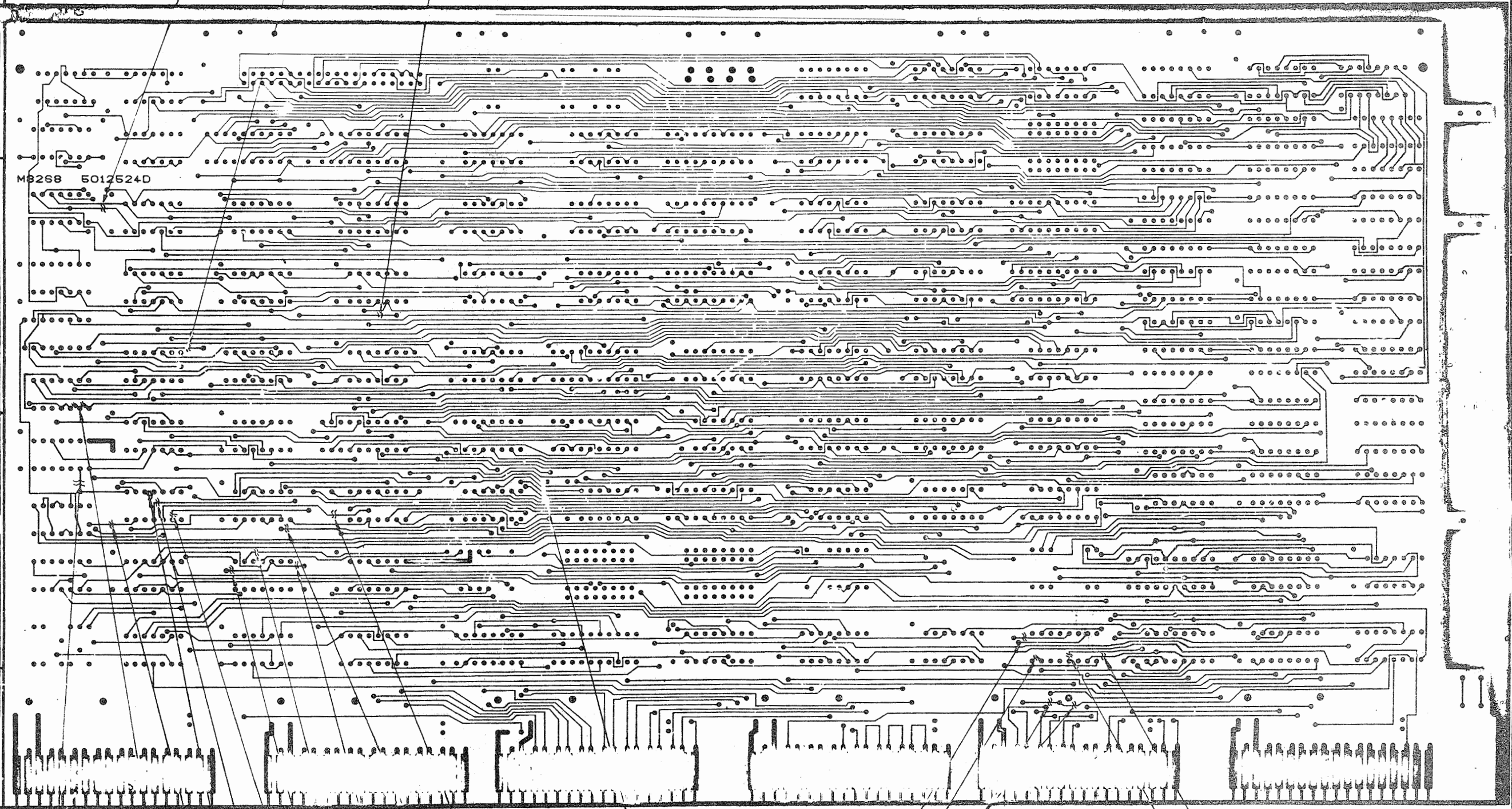
TITLE: 11/34 CACHE
 SCALE: 2-1
 SHEET: 2 OF 8
 SIZE COD: DUA
 NUMBER: M8268-0-0
 REV: D
 DIST: TW

8 7 6 5 4 3 2 1

THIS DRAWING AND SPECIFICATIONS HEREIN ARE THE PROPERTY OF DIGITAL EQUIPMENT CORPORATION AND SHALL NOT BE REPRODUCED OR COPIED OR USED IN WHOLE OR IN PART WITHOUT THE WRITTEN PERMISSION OF DIGITAL EQUIPMENT CORPORATION. COPYRIGHT ©

030 0-20 1-11

DJA M8268-0-0 2

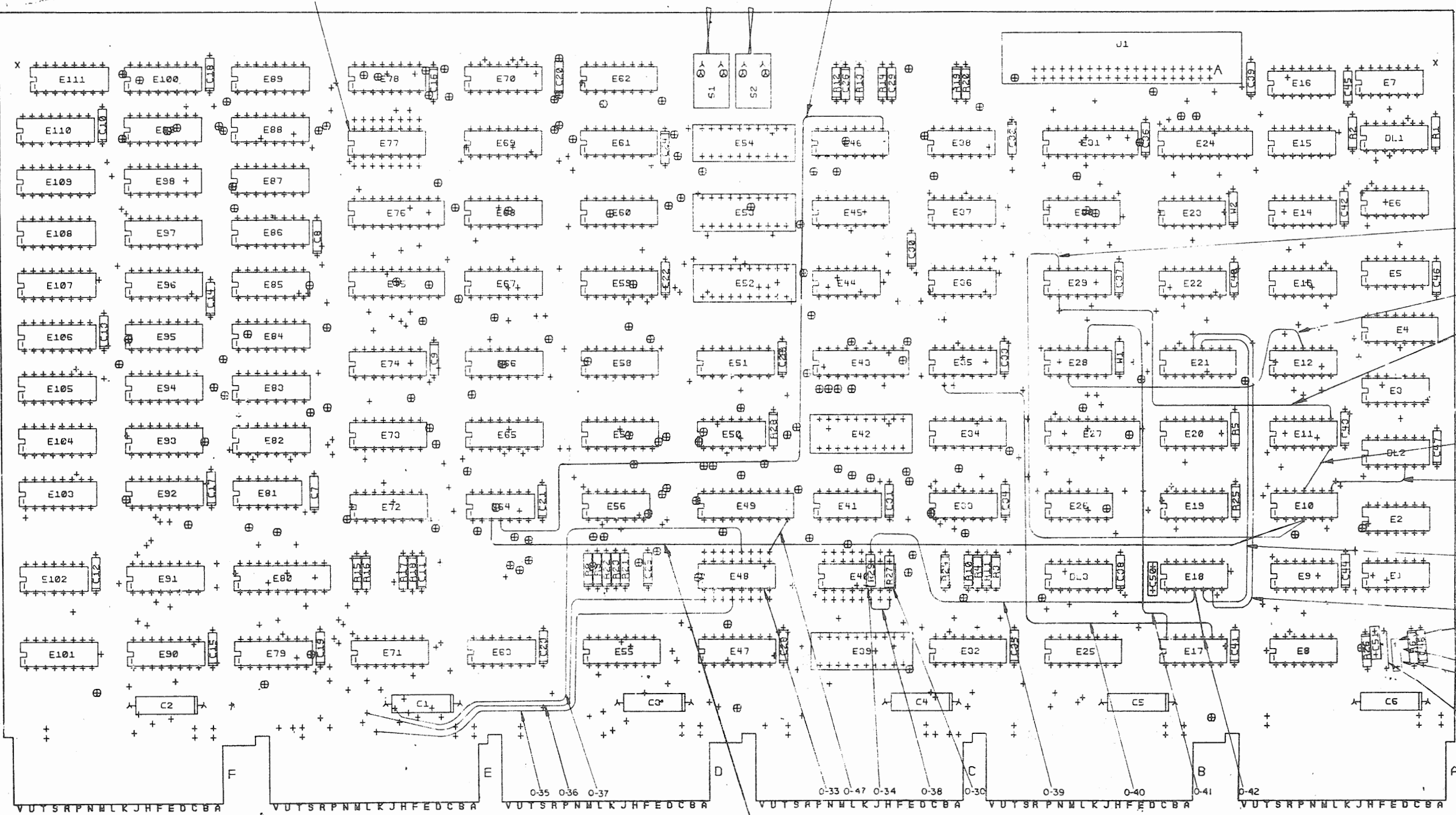


WITHOUT INK

0-102 0-27 0-22 0-16 0-17 0-18 0-19 0-18 0-21 0-15 0-23 0-24 0-25 0-26 0-28 0-29

REVISIONS		
CHK	CHANGE NO.	REV

TITLE	11/34 CACHE	SIZE CODE	DJA	NUMBER	M8268-0-0	REV.	D
SCALE	2-1	SHEET	3 OF 8	DIST			



NOTES:

CH	REV

ETCH REV. D

P.C. DESIGN DATA BRSE REV. D

SIGNATURES		DATE	digital
DRN. <i>[Signature]</i>		11/74	
CHK'D. R. DAY		11/74	
ENG. <i>[Signature]</i>		11/74	
PROJ. ENG. <i>[Signature]</i>		11/74	
PROD. <i>[Signature]</i>		11/74	
SCALE 1/2"			
SMT. 4 OF 8			
NEXT HIGHER ASSY. B-DD M8268-0			

TITLE
11/34 CACHE

SIZE	COLE	NUMBER	REV
D	UA	M8268-0	D

8

7

6

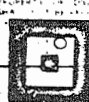
5

4

3

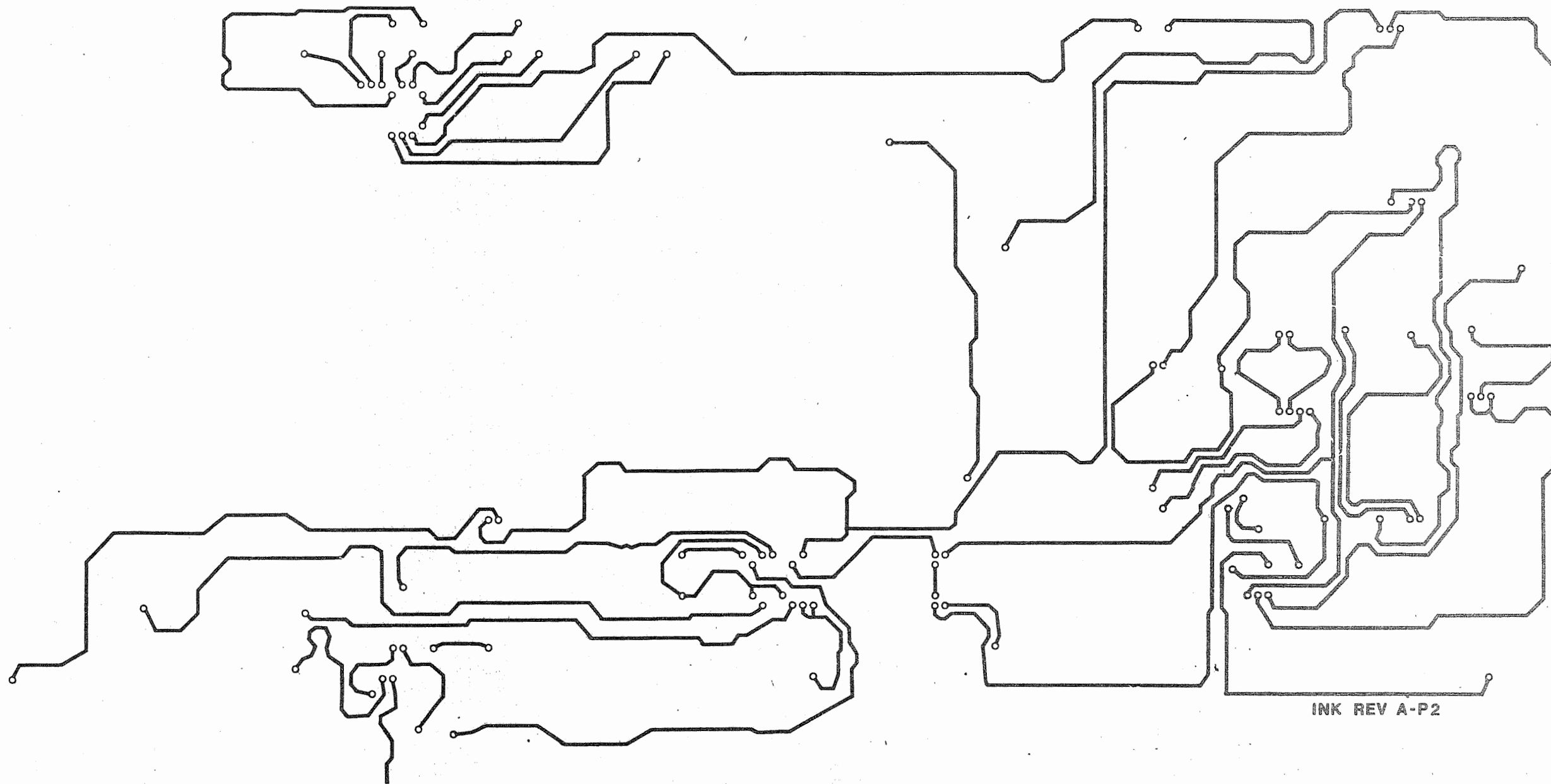
D | 0-0-8928W | D | 2

1



M8268
5012524D

COPPER INK REV A-P2



INK REV A-P2

REVISIONS		
CHK	CHANGE NO	REV

TITLE
11/34 CACHE

SIZE CODE NUMBER
D UA M8268-0-0

REV
D

SCALE 2/1 SHEET 5 OF 8

8

7

6

5

4

3

2

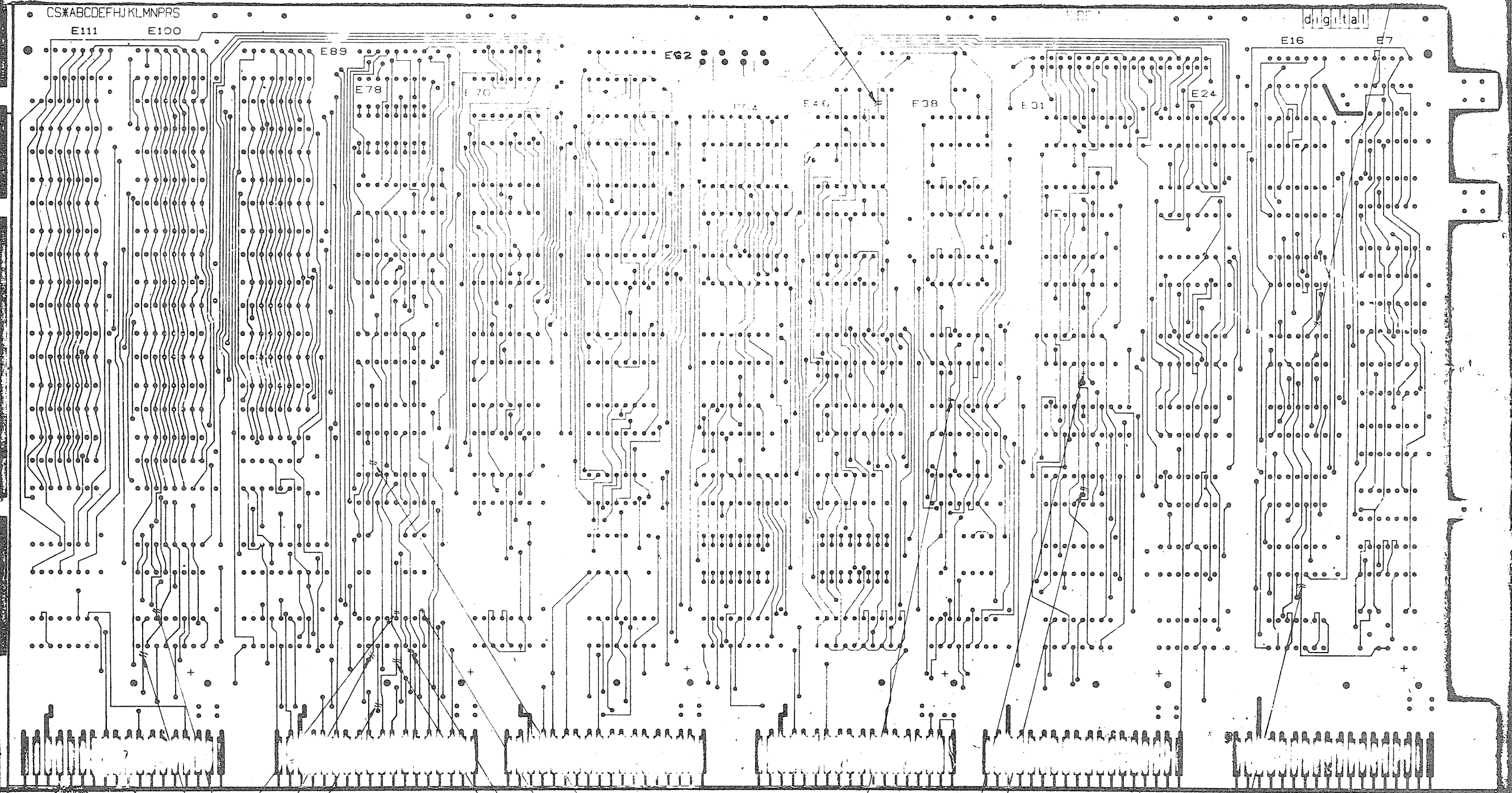
1

"THIS DRAWING AND SPECIFICATIONS, HEREIN, ARE THE PROPERTY OF DIGITAL EQUIPMENT CORPORATION AND SHALL NOT BE REPRODUCED OR COPIED OR USED IN WHOLE OR IN PART AS A BASIS FOR THE MANUFACTURE OR SALE OF ITEMS WITHOUT WRITTEN PERMISSION OF DIGITAL EQUIPMENT CORPORATION"

0 0-0-00000 0 2

M8268 5012524D

LAYER 1



CHK	CHANGE NO.	REV.	0-1	0-2	0-3	0-4	0-5	0-6	0-7	0-8	0-9	0-15	0-10	0-11	0-12

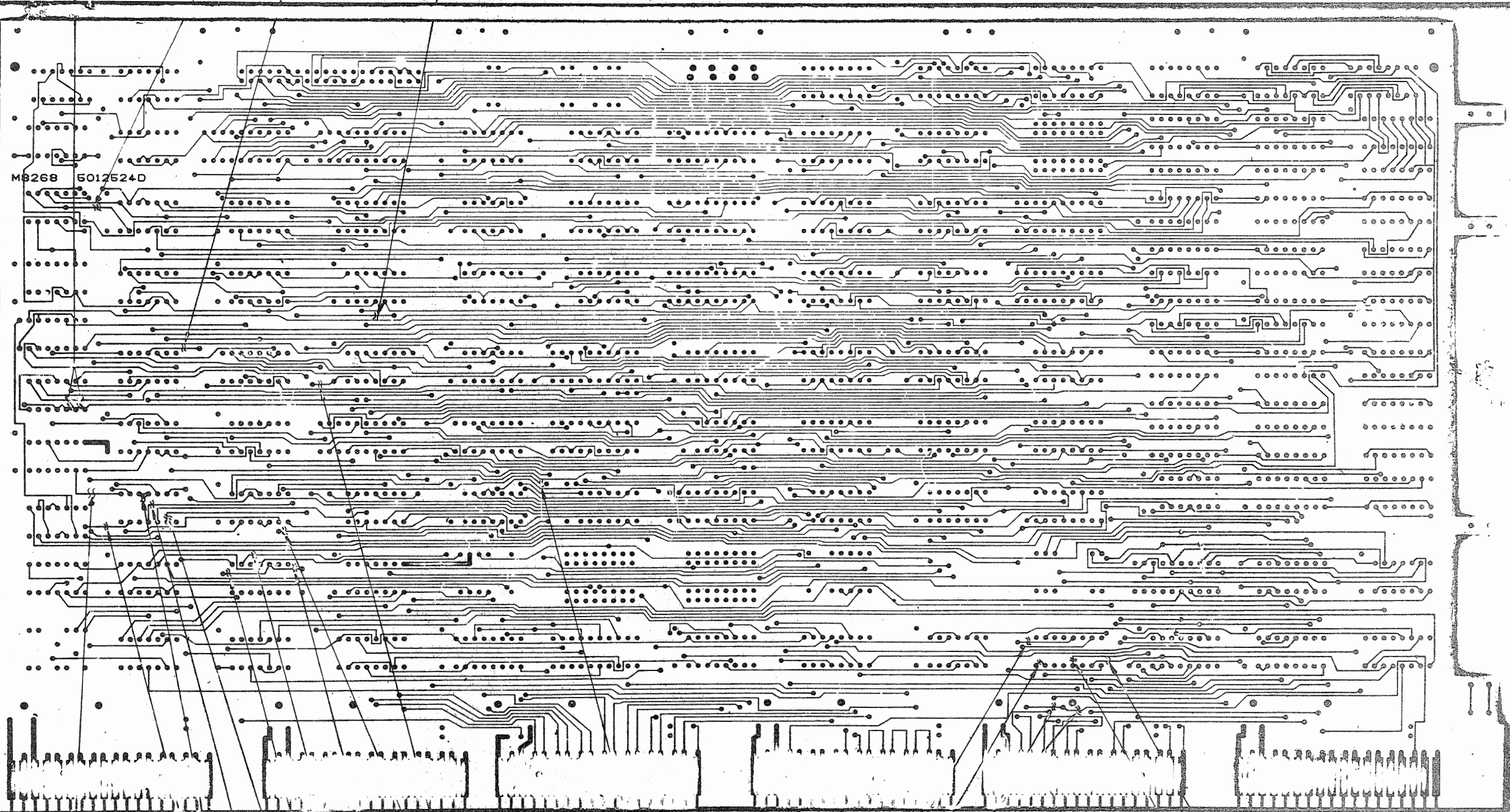
WITH INK

TITLE		SIZE CODE	NUMBER	REV.
11/34 CACHE		DJA	M8268-0-0	D
SCALE 2-1	SHEET 6 OF 8	DIST.	TW	1

8 7 6 5 4 3 2 1

THIS DRAWING AND SPECIFICATIONS ARE THE PROPERTY OF DIGITAL EQUIPMENT CORPORATION AND SHALL NOT BE REPRODUCED OR COPIED OR USED IN WHOLE OR IN PART WITHOUT THE WRITTEN PERMISSION OF DIGITAL EQUIPMENT CORPORATION.

PC 834AJ



0-102 0-29 0-16 0-17 0-18 0-19 0-18 0-21 0-22 0-23 WITH INK 0-24 0-25 0-26 0-27 0-28

REVISIONS		
CHK	CHANGE NO	REV

TITLE	11/34 CACHE	SIZE CODE	DUA	NUMBER	M8268-0-0	REV.	D
SCALE	2-1	SHEET	7 OF 8	U.S.			

14

THIS DRAWING AND SPECIFICATIONS HEREBY ARE THE PROPERTY OF DIGITAL EQUIPMENT CORPORATION AND SHALL NOT BE REPRODUCED OR COPIED OR USED IN WHOLE OR IN PART AS THE BASIS FOR THE MANUFACTURE OR SALE OF THIS WITHOUT WRITTEN PERMISSION. COPYRIGHT © DIGITAL EQUIPMENT CORPORATION

FIRST RELEASE
REWORK INSTRUCTIONS WITHOUT INK

- ETCH CUTS SIDE 1:
- 0-1 E90-15 BELOW E90-1 & 2
 - 0-2 AT E90-14
 - 0-3 AT E71-12
 - 0-4 E71-14 AT F/T BELOW E71-2
 - 0-5 E71-3 AT F/T
 - 0-6 AT E71-5
 - 0-7 E71-11 BELOW E71-6 & 7
 - 0-8 BETWEEN E71-8 & 9 ABOVE E71-9
 - 0-9 E72-2 ABOVE E72-14 & 15
 - 0-10 AT E28-5
 - 0-11 AT E34-14
 - 0-12 E10-5 BELOW E9-4 & 5
 - 0-13 E12-10 ABOVE E12-9
- ETCH CUTS SIDE 2:
- 0-15 CUT ETCH ABOVE E26-7, CONNECTED TO E26-10 ON SIDE 1
 - 0-16 AT E10-4
 - 0-17 AT E10-2
 - 0-18 AT E18-12 (2 PLACES)
 - 0-19 AT E18-9
 - 0-20 AT E12-11
 - 0-21 AT F/T BELOW E19-2
 - 0-22 AT E10-6
 - 0-23 AT F/T ABOVE & BETWEEN E41 & E33
 - 0-24 AT E71-13
 - 0-25 BETWEEN E71-7 & 8
 - 0-26 AT F/T TO LEFT OF RIGHT LEAD OF C1 (2 PLACES)
 - 0-27 AT E3-2 (2 PLACES)
 - 0-28 AT E71-4
 - 0-29 AT E71-2
 - 0-30 AT E14-6

- COMPONENT ADDS SIDE 1:
- ~~0-31 ADD DIODE (D1 1105275-00) NEXT TO R7~~
 - ~~CATHODE DOWN WRAP D1 LEADS 270°~~
 - ~~AROUND R7 LEADS FOR MECHANICAL RIGIDITY (SEE VIEW A-A)~~
 - 0-32 ADD IC (1300005-01) AT E77 PIN 1 IN HOLE 1
 - 0-33 ADD IC (1911579) AT E48
 - 0-34 ADD 1K RES (R29 1300365) AT E40-6 & 11
 - 0-35 ADD 1K RES (R27 1300365) AT E40-8 & 9
- WIRE ADDS SIDE 1:
- 0-36 E71-4 TO EK1
 - 0-37 E71-12 TO F/T UNDER C1
 - 0-38 E71-9 TO E63-14
 - 0-39 E48-4 OUTSIDE HOLE TO F/T CONNECTED TO EK2
 - 0-40 E48-1 OUTSIDE HOLE TO F/T CONNECTED TO EL1
 - 0-41 E48-12 OUTSIDE HOLE TO F/T CONNECTED TO EJ1
 - 0-42 E48-6 OUTSIDE HOLE TO F/T BELOW E80-8
 - 0-43 E48-16 OUTSIDE HOLE TO C25 TOP LEAD
 - 0-44 E48-2 OUTSIDE HOLE TO E48-14 OUTSIDE HOLE
 - 0-45 E48-2 OUTSIDE HOLE TO E48-5 OUTSIDE HOLE
 - 0-46 E47-8 TO E48-8 OUTSIDE HOLE
 - 0-47 E48-8 OUTSIDE HOLE E48-7 OUTSIDE HOLE

- 0-48 E48-11 OUTSIDE HOLE TO C50 TOP END
- 0-49 E40-6 OUTSIDE HOLE TO E40-8 OUTSIDE HOLE
- 0-50 E64-1 TO E48-10 OUTSIDE HOLE
- 0-51 E48-13 OUTSIDE HOLE TO F/T LEFT OF R7
- 0-52 E32-16 TO E40-8 OUTSIDE HOLE
- 0-53 E48-3 OUTSIDE HOLE TO F/T BELOW E91-3 & 4
- 0-54 E17-9 TO F/T BELOW E35-2
- 0-55 E18-4 TO E40-11 OUTSIDE HOLE
- 0-56 E18-1 TO E40-9 OUTSIDE HOLE
- 0-57 E17-14 TO E28-10
- 0-58 E17-10 TO E18-4
- 0-59 F/T BELOW E19-2 TO F/T BELOW E19-14
- 0-60 E18-9 TO E28-4
- 0-61 R7 BOTTOM LEAD TO E18-12
- 0-62 E101-2 TO E64-2
- 0-63 C50 TOP LEAD TO R25 BOTTOM LEAD
- 0-64 E10-5 TO F/T LEFT OF E12-14
- 0-65 E3-1 TO E18-2
- 0-66 E3-1 TO E3-3
- 0-67 E3-2 TO E4-1
- 0-68 E12-10 TO E10-6
- 0-69 E5-6 TO E18-3
- 0-70 E14-6 TO E18-1
- 0-71 E14-5 TO E28-4
- 0-72 E14-3 TO E10-2
- 0-73 E4-1 TO E16-12
- 0-74 E16-11 TO E28-5
- 0-75 E16-13 TO E48-10 OUTSIDE HOLE
- 0-76 E21-13 TO E20-11
- 0-77 E21-12 TO E20-10
- 0-79 E77-4 OUTSIDE HOLE TO E62-6
- 0-80 E77-5 OUTSIDE HOLE TO E62-3
- 0-81 E77-6 OUTSIDE HOLE TO E70-10
- 0-82 E77-7 OUTSIDE HOLE TO E70-6
- 0-83 E77-8 OUTSIDE HOLE TO E70-3
- 0-84 E77-9 OUTSIDE HOLE TO E70-13
- 0-85 E77-10 OUTSIDE HOLE TO E78-6
- 0-86 E77-12 OUTSIDE HOLE TO E79-3
- 0-87 E77-11 OUTSIDE HOLE TO E78-10
- 0-88 E77-13 OUTSIDE HOLE TO E78-13
- 0-89 E77-14 OUTSIDE HOLE TO E89-8
- 0-90 E48-15 OUTSIDE HOLE TO F/T LEFT OF E63-14
- 0-91 E10-3 TO E20-8
- 0-92 E48-14 TO C25 LOWER LEAD
- 0-93 F/T BELOW E46-3 TO F/T TO RIGHT OF C31 TOP LEAD
- 0-94 E48-9 OUTSIDE HOLE TO E49-10
- 0-95 E18-5 TO E21-12
- 0-96 E18-6 TO E21-13
- 0-97 E21-11 TO E28-3
- 0-98 E10-4 TO E29-13
- 0-99 E71-3 TO E80-7
- 0-100 E71-13 TO F/T BELOW E71-2

- WIRE ADDS SIDE 2:
- 0-101 E36-13 TO J1-EE
- FIRST RELEASE
REWORK INSTRUCTIONS WITH INK
- ETCH CUTS SIDE 1:
- 0-1 E90-15 BELOW E90-1 & 2
 - 0-2 AT E90-14
 - 0-3 AT E71-12
 - 0-4 E71-14 AT F/T BELOW E71-2
 - 0-5 E71-3 AT F/T
 - 0-6 AT E71-5
 - 0-7 E71-11 BELOW E71-6 & 7
 - 0-8 BETWEEN E71-8 & 9 ABOVE E71-9
 - 0-9 E72-2 ABOVE E72-14 & 15
 - 0-10 AT E28-5
 - 0-11 AT E26-10 UNDER E26
 - 0-12 E10-5 BELOW E9-4 & 5
 - 0-13 E12-10 ABOVE E12-9
 - 0-15 AT E34-14
- ETCH CUTS SIDE 2:
- 0-16 AT E10-4
 - 0-17 AT E10-2
 - 0-18 AT E18-12 (2 PLACES)
 - 0-19 AT E18-9
 - 0-20 AT E12-11
 - 0-21 AT F/T BELOW E19-2
 - 0-22 BETWEEN W1-BOTTOM SIDE & F/T TO THE LEFT
 - 0-23 AT F/T ABOVE & BETWEEN E41 & E33
 - 0-24 AT E71-13
 - 0-25 BETWEEN E71-7 & 8
 - 0-26 AT F/T TO THE LEFT OF THE RIGHT LEAD OF C1 (2 PLACES)
 - 0-27 AT E71-4
 - 0-28 AT E71-2
 - 0-29 AT E10-6
- COMPONENT ADDS SIDE 1:
- 0-30 ADD 1K RES (R27 1300365) AT E40-8 & 9
 - ~~0-31 ADD DIODE (D1 1105275-00) NEXT TO R7~~
 - ~~CATHODE DOWN WRAP D1 LEADS 270°~~
 - ~~AROUND R7 LEADS FOR MECHANICAL RIGIDITY (SEE VIEW A-A)~~
 - 0-32 ADD IC (1300005-01) AT E77-1 IN HOLE 1
 - 0-33 ADD IC (1911579) AT E48
 - 0-34 ADD 1K RES (R29 1300365) AT E40-6 & 11
- WIRE ADDS SIDE 1:
- 0-35 E48-4 OUTSIDE HOLE TO F/T CONNECTED TO EK2
 - 0-36 E48-1 OUTSIDE HOLE TO F/T CONNECTED TO EL2
 - 0-37 E48-12 OUTSIDE HOLE TO F/T CONNECTED TO EJ1
 - 0-38 E40-6 OUTSIDE HOLE TO E40-8 OUTSIDE HOLE
 - 0-39 E40-11 OUTSIDE HOLE TO E18-4
 - 0-40 E17-9 TO F/T BELOW E35-2
 - 0-41 E17-14 TO E28-10
 - 0-42 E17-10 TO E18-4

- 0-43 E10-4 TO E29-13
- 0-44 E18-6 TO E21-13
- 0-45 E18-5 TO E21-12
- 0-46 E12-11 TO E28-3
- 0-47 E49-10 TO E48-9 OUTSIDE HOLE

ADDITIONAL REWORK INSTRUCTIONS WITH OR WITHOUT INK

ETCH CUTS SIDE 2

- 0-102 E10-8 TO DL2-2

WIRE ADDS SIDE 1

- 0-103 E10-8 TO DL2-5

FIRST RELEASE REWORK WITH INK CONT.

ETCH CUTS SIDE 2:

- 0-95 E6-8 TO E14-6
- 0-96 BETWEEN E3-1 & 2 AND-2 & 3

REWORK INSTRUCTION WITH OR WITHOUT INK
ECO#1.

WIRE ADDS

- 1-1 E10-11 TO E11-7
- 1-2 E46-9 TO E64-4
- 1-3 E64-3 TO E10-4
- 1-4 E29-2 TO E11-8

COMPONENT DELETES

- 1-5 D1
- 1-6 R7
- 1-7 C49

COMPONENT ADDS

- 1-8 ADD JUMPER WIRE IN PLACE OF R7.

ETCH CUTS SIDE 2

- 1-9 AT E46-9

ETCH CUTS SIDE 2

- 1-10 BETWEEN E10-11 AND E10-10.
- 1-11 AFTER THE FEED THRU CONNECTED TO E29-2.

REVISIONS		
CHK	CHANGE NO.	REV.

TITLE	SIZE CODE	NUMBER	REV.
11/34 CACHE	D UA	M8268-0-0	D
SCALE	SHEET 8 OF 8	DIST.	

8 7 6 5 4 3 2 1

LINE	ITEM	DOCUMENT NUMBER	PART NUMBER	DESCRIPTION	QTY	REFERENCE DESIGNATOR
1	1	D-ND-5012524-0-0	5012524-00	M8268	1	
2	2		1000076-00	39 MFD 10V 10% 150D S.TA	6	C1-C6
3	3		1012784-00	.047 MFD 50V -20+80 CER	42	C7-C48
4	4		1012121-00	220.0 MMF 100V 1%200PPM DM158	1	C51
5	5		1000024-00	470.0 MMF 100V 5%200PPM DM158	1	C50
6	6		1213506-01	HEADER 40POS RT ANGLE W/3 SI	1	J1
7	7		1210711-00	/OBSOLETE	1	
8	8		1210209-00	SW, TOG 1P, 01A SUBMINI	2	S1, S2
9	9		1300271-00	220 1/4W 5% CC	6	R1, R2, R5, R6, R10, R11
10	10		1300202-00	47 1/4W 5% CC	1	R26
11	11		1300365-00	1 K 1/4W 5% CC	15	R8, R9, R12-R20, R24, R27, R28, R29
12	12		1311422-00	17R 1/4W 1% RN55D-F 100PPM	3	R3, R21, R22
13	13		1305125-00	383 1/4W 1% RN55D-F 100PPM	2	R4, R23
14	14		1300250-00	150 1/4W 5% CC	1	R25
15	16		1612463-00	DELAY= 150NS, 10TAPS	3	DL1, DL2, DL3
16	17		1910532-00	74S00 NAND GATE-QUAD 2IN6	2	E15, E37
17	18		1912799-00	LS00 NAND-GATE-QUAD 2IN, P	5	E2, E7, E19, E22, E33
18	19		1912801-00	LS02 NOR-GATE-QUAD 2IN	2	E14, E35
19	20		1912388-00	74S02 NOR GATE-QUAD 2IN, PO	1	E10
20	21		1910534-00	74S04 INVERTER GATE-HEX 1I	2	E11, E64
21	22		1912803-00	LSC4 INVERTER GATE-HEX 1I	3	E6, E12, E26
22	23		1910536-00	74S10 NAND GATE-TRIPLE 3IN	2	E8, E20
23	24		1912807-00	LS10 NAND GATE-TRIPLE 3IN	1	E28
24	25		1912808-00	LS11 AND GATE-TRIPLE 3IN	1	E29
25	26		1912815-00	LS30 NAND GATE-SINGLE 8IN	1	E81
26	27		1913340-00	74S32 OR GATE-QUAD 2IN	1	E16
27	28		1912813-00	LS27 NOR GATE-TRIPLE 3IN	1	E3
28	29		1912824-00	LS74 FF-D DUAL, EDGE TRIGG	4	E1, E9, E36, E41
29	30		1910544-00	74S74 FF-D DUAL, EDGE TRIGG	2	E5, E13
30	31		1912089-00	74S85 CMPRTR-4BIT MAGNITUD	2	E45, E74

REVISION HISTORY			SECTION 1 OF 1	RESP. ENG.: ROGER DAY	DATE: 20-MAR-78	DIGITAL			
ENG	ECO NUMBER	REV	SECTION, VARIATION INDEX	MADE BY: MIKE FUNARO	DATE: 20-MAR-78	TITLE PARTS LIST			
---	INIT	IC							
RD	TW001	ID	1.00			11/34 CACHE			
			2.	CHECKED: ROGER DAY	DATE: 20-MAR-78				
			3.						
			4.						
			5.	DSN. ENG.: ROGER DAY	DATE: 20-MAR-78				
			6.						
			7.						
			8.						
			9.	PROD.: BOB KING	DATE: 20-MAR-78	K	PL	M8268-0-DBP	D
			10.						
			11.						
			12.	ASSEMBLY NUMBER: D-UA-M8268-0-0		PART NUMBER: M826800		EDIT # 20	

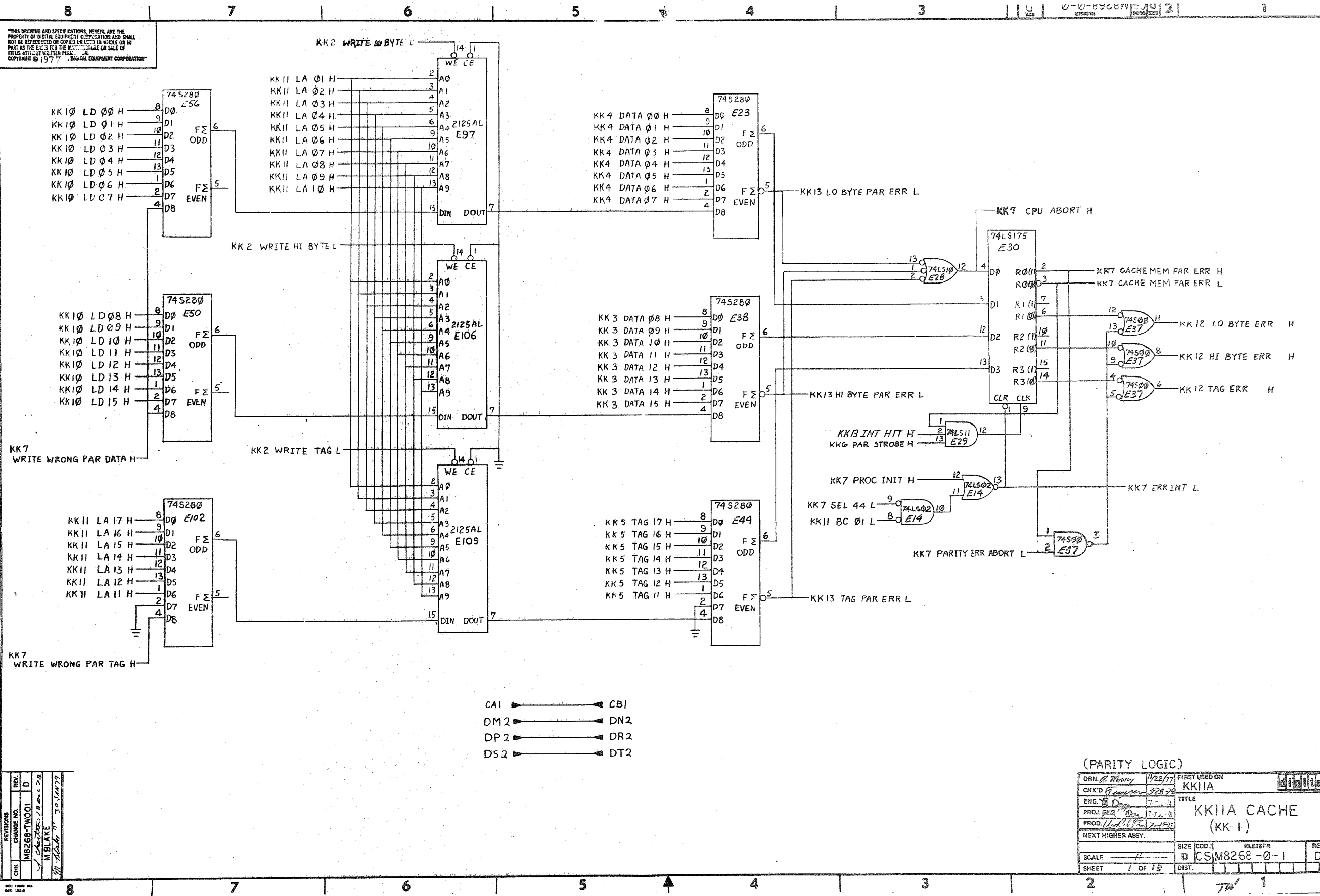
"THIS DRAWING AND SPECIFICATIONS HERFIN, ARE THE PROPERTY OF DIGITAL EQUIPMENT CORPORATION AND SHALL NOT BE REPRODUCED OR COPIED OR USED IN WHOLE OR IN PART AS THE BASIS FOR THE MANUFACTURE OR SALE OF ITEMS WITHOUT WRITTEN PERMISSION. COPYRIGHT 1979, DIGITAL EQUIPMENT CORPORATION"

LINE	ITEM	DOCUMENT NUMBER	PART NUMBER	DESCRIPTION	QTY	REFERENCE DESIGNATOR
31	32		1911983-00	74S133 NAND GATE-POSITIVE 1	1	E21
32	33		1912839-00	LS133 NAND GATE-POS	1	E91
33	34		1912548-00	74S157 MUX 1 OF 2 (QUAD)	9	E58-E60,E62,E66-E68,E70,E78
34	35		1912847-00	LS157 MUX 1 OF 2 (QUAD)	1	E4
35	36		1912842-00	LS138 DECODER-THREE INPUT,	1	E73
36	37		1912697-00	LS174 FF-D HEX W/CLEAR	1	E46
37	38		1912853-00	LS175 FF-D QUAD	2	E30,E34
38	39		1912854-00	LS193 COUNTER,SYNCHR,4BIT,	3	E51,E57,E65
39	40		1915193-00	LS244 DRIVER,LINE,OCTAL,T	5	E39,E42,E52-E54
40	41		1911573-00	74S280 PARITY GEN/CHKR,9BIT	6	E23,E38,E44,E56,E50,E102
41	42		1913670-00	74S373 LATCH 8BIT TRASP TR	5	E24,E31,E75,E76,E80
42	43		1913671-00	74S374 FF-D OCTAL TRISTATE	3	E27,E49,E43
43	44		1911469-00	DEC 8640 RECEIVER,BUS,QUAD,U	1	E17
44	45		1911579-00	8641 TRANSCEIVER,BUS,QUA	6	E25,E32,E47,E55,E71,E48
45	46		1911116-00	DEC 8837 RECEIVER,BUS,HEX,UN	3	E72,E79,E90
46	47		1909705-00	DEC 8881 NAND GATE-QUAD 2IN 0	2	E18,E63
47	48	SEE NOTE 1	1914438-00	DC 013 UNIBUS INTERRUPT-BIP	1	E101
48	49		2115020-00	1K MOS RAM 25NS S	28	E61,E69,E82-E89,E92-E100,E103-E111
49	50		9000024-01	EYELET, ROLLED FLANGE, .121 OD X	11	
50	51		9009185-00	JUMPER, WIPE, INSULATED, BLACK B	2	W1,W2
51	54		1300005-01	P NETWORK 13-1K RESISTORS 5% DIP	1	E77

52 NOTE: #1 P/N 1912083-00 IS AN ALTERNATE PART FOR ITEM #48

D I G I T A L										TITLE	SECTION 1 OF 1			SIZE	CODE	DOCUMENT NUMBER	REV
										11/34 CACHE				K	PL	M8268-0-DBP	D

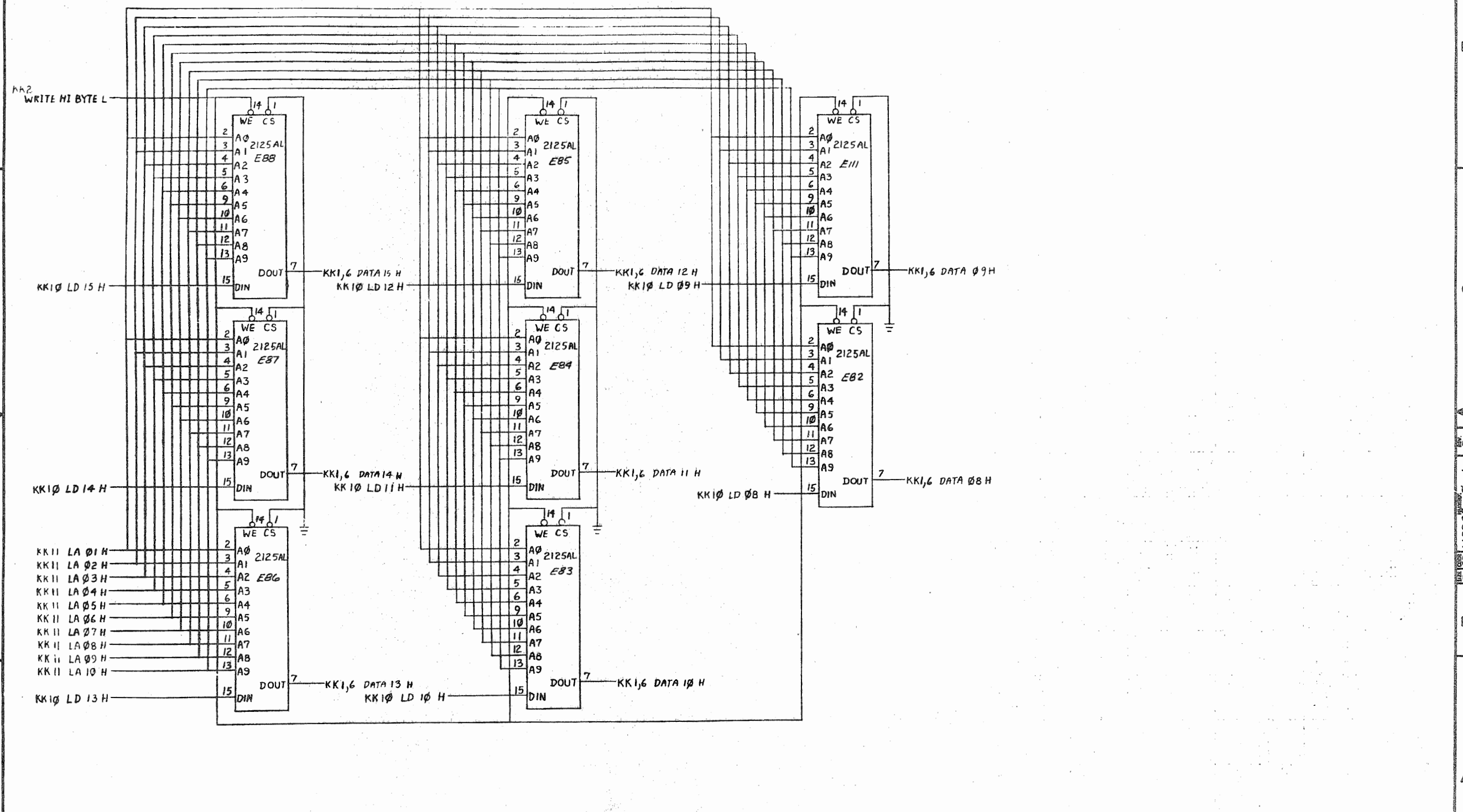
THIS DRAWING AND SPECIFICATIONS HEREIN ARE THE PROPERTY OF DIGITAL EQUIPMENT CORPORATION AND SHALL NOT BE REPRODUCED OR COPIED IN WHOLE OR IN PART AS THE BASIS FOR THE MANUFACTURE OR SALE OF ITEMS WITHOUT WRITTEN PERMISSION. COPYRIGHT © 1977, DIGITAL EQUIPMENT CORPORATION.



REV. NO.	REV.
1	D
CHANGE NO.	
18268-10001	
CHK'D	
M. BLAKE	
DATE	
30/1/77	

(PARITY LOGIC)	
DRN. R. Barry	1/22/77
CHK'D. F. ...	3/28/77
ENG.
PROJ. ENG.
PROD.
NEXT HIGHER ASSY.	
SCALE	1
SHEET	1 OF 13
FIRST USED ON	KK1A
TITLE	KK1A CACHE (KK-1)
SIZE	1
NUMBFR	D CSIM8268-0-1
REV.	D

THIS DRAWING AND SPECIFICATIONS, HEREIN ARE THE PROPERTY OF DIGITAL EQUIPMENT CORPORATION AND SHALL NOT BE REPRODUCED OR TRANSMITTED IN ANY FORM OR BY ANY MEANS, ELECTRONIC OR MECHANICAL, INCLUDING PHOTOCOPYING, RECORDING, OR BY ANY INFORMATION STORAGE AND RETRIEVAL SYSTEM, WITHOUT PERMISSION IN WRITING FROM DIGITAL EQUIPMENT CORPORATION. COPYRIGHT © 1977 DIGITAL EQUIPMENT CORPORATION



REVISIONS		
CHK	CHANGE NO.	REV.

(DATA MEMORY ARRAY)			
TITLE	SIZE/CODE	NUMBER	REV.
KK11A CACHE (KK 3)	DCS M8268-0-1	1	D
SCALE	SHEET	OF 13	DIST.

THIS DRAWING AND SPECIFICATIONS, HEREIN, ARE THE PROPERTY OF DIGITAL EQUIPMENT CORPORATION AND SHALL NOT BE REPRODUCED OR COPIED OR USED IN WHOLE OR IN PART AS THE BASIS FOR THE MANUFACTURE OR SALE OF ITEMS WITHOUT WRITTEN PERMISSION. COPYRIGHT © 1977 DIGITAL EQUIPMENT CORPORATION

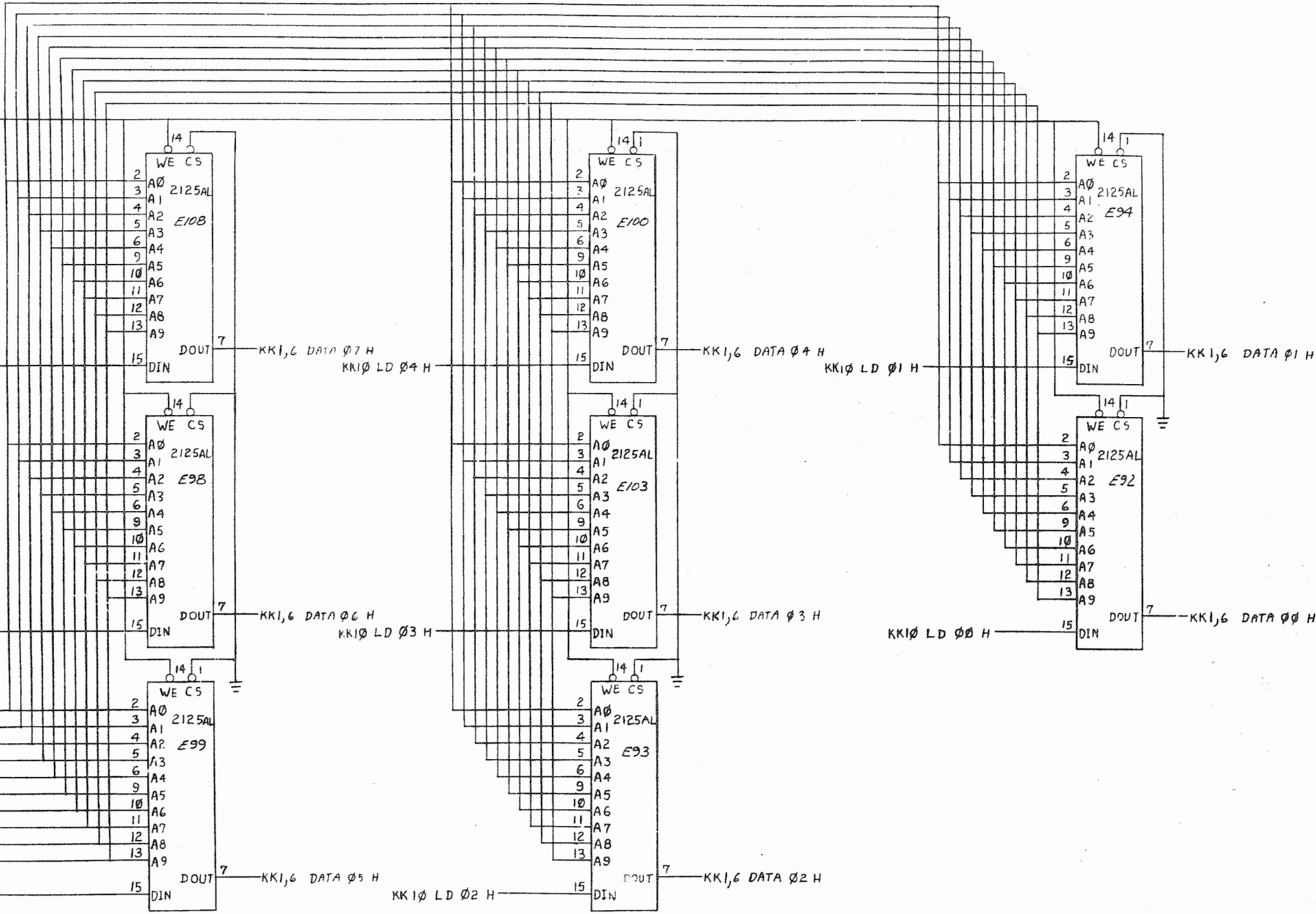
KK 2 WRITE LO BYTE L

KK10 LD 07 H

KK10 LD 06 H

KK11 LA 01 H
 KK11 LA 02 H
 KK11 LA 03 H
 KK11 LA 04 H
 KK11 LA 05 H
 KK11 LA 06 H
 KK11 LA 07 H
 KK11 LA 08 H
 KK11 LA 09 H
 KK11 LA 10 H

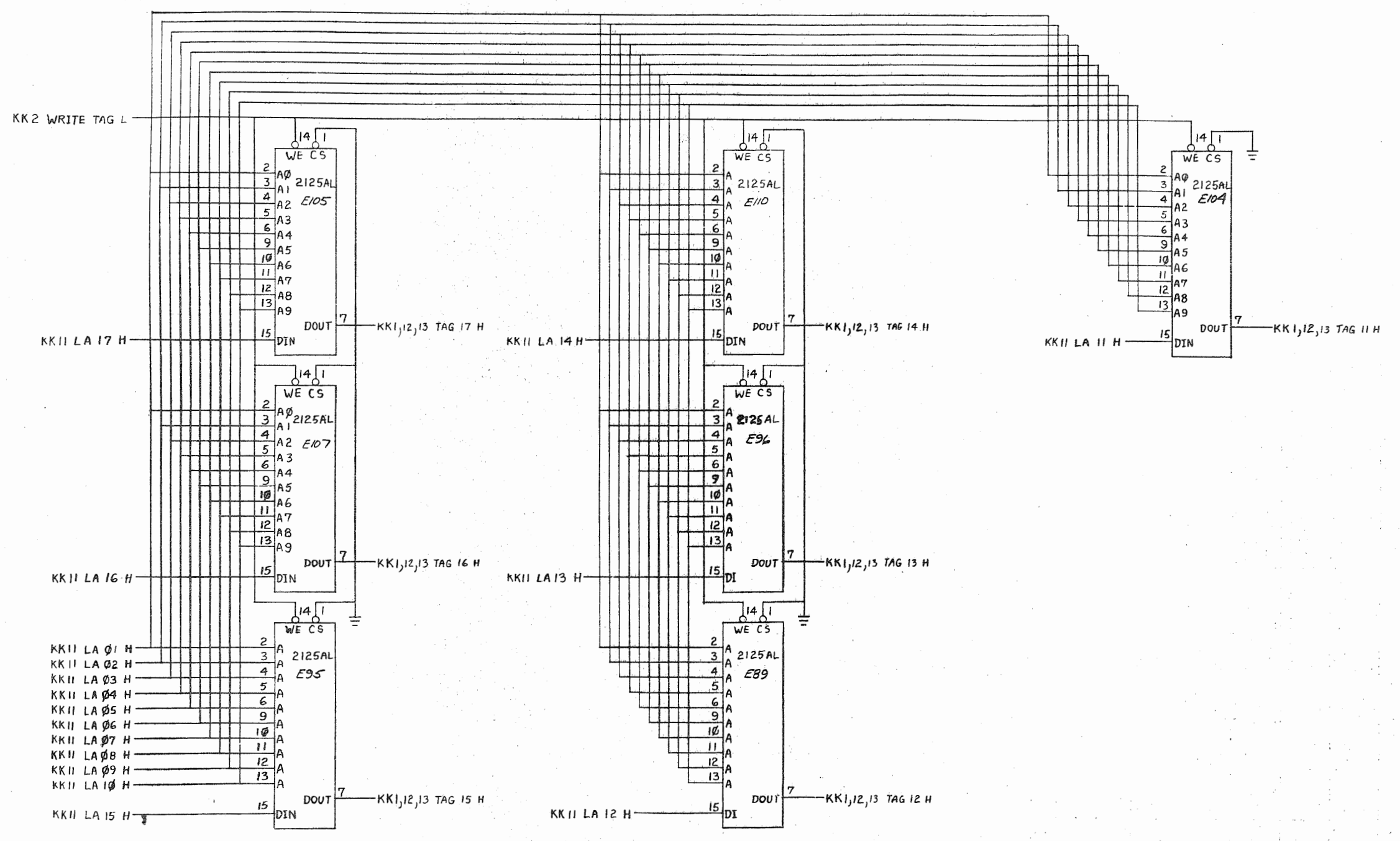
KK10 LD 05 H



REVISIONS		
CHK	CHANGE NO.	REV.

(DATA MEMORY ARRAY)		TITLE	SIZE CODE	NUMBER	REV.
		KK11A CACHE (KK 4)	DCS	M8268-0-1	D
SCALE	SHEET	OF	DIST.		

THIS DRAWING AND SPECIFICATIONS HEREIN ARE THE PROPERTY OF DIGITAL EQUIPMENT CORPORATION AND SHALL NOT BE REPRODUCED OR COPIED OR USED IN WHOLE OR IN PART AS THE BASIS FOR THE MANUFACTURE OR SALE OF ITEMS WITHOUT WRITTEN PERMISSION. COPYRIGHT © 1977 DIGITAL EQUIPMENT CORPORATION

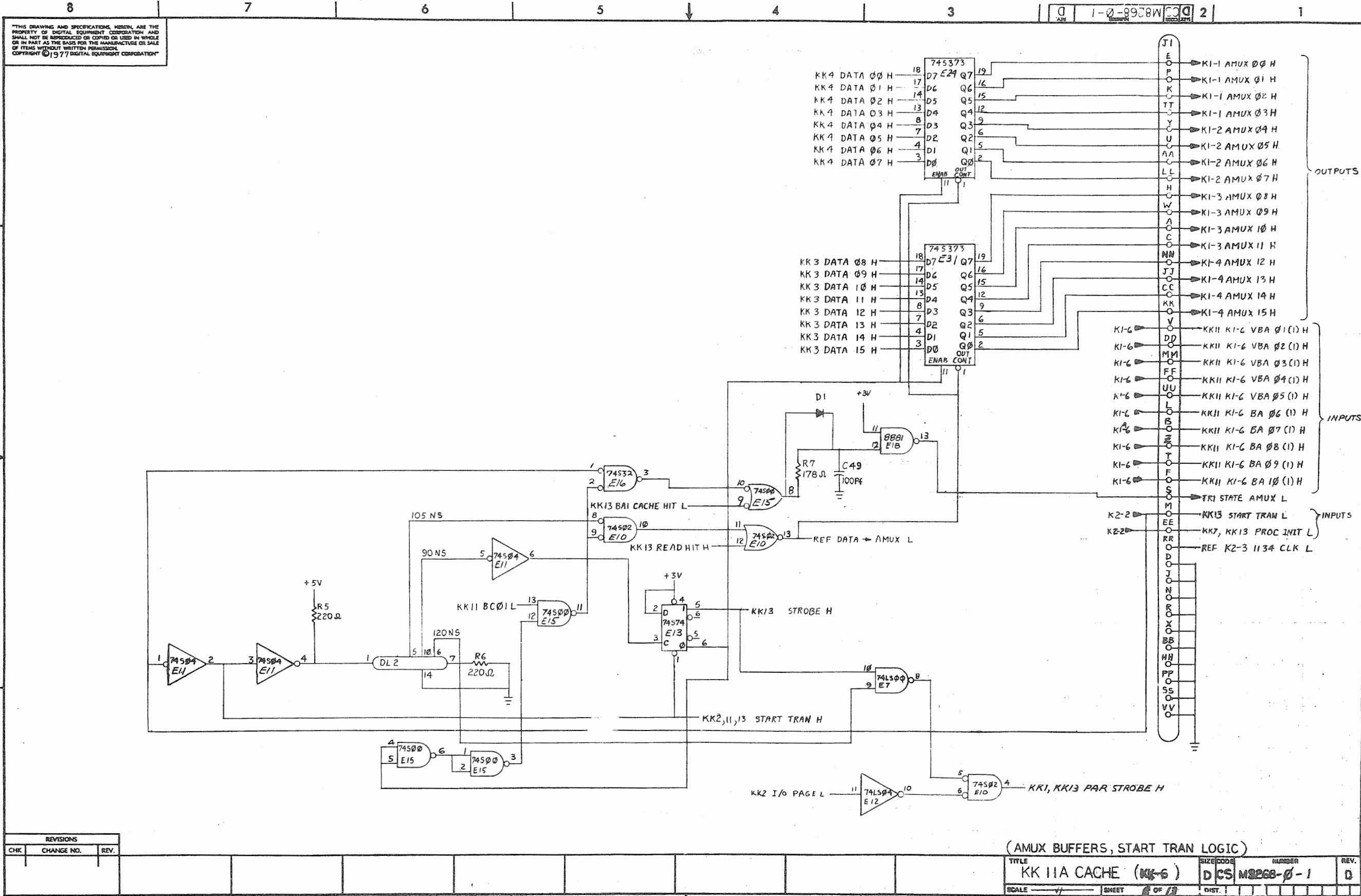


REVISIONS		
CHK	CHANGE NO.	REV.

(TAG STORE)

TITLE	SIZE CODE	NUMBER	REV.
KK11A CACHE (KK 5)	D CS	M268-0-1	0
SCALE	SHEET	OF	TOTAL
	2	8	

THIS DRAWING AND SPECIFICATIONS HEREIN ARE THE PROPERTY OF DIGITAL EQUIPMENT CORPORATION AND SHALL NOT BE REPRODUCED OR COPIED OR USED IN WHOLE OR IN PART AS THE BASIS FOR THE MANUFACTURE OR SALE OF ITEMS WITHOUT WRITTEN PERMISSION. COPYRIGHT © 1977 DIGITAL EQUIPMENT CORPORATION



REVISIONS		
CHK	CHANGE NO.	REV.

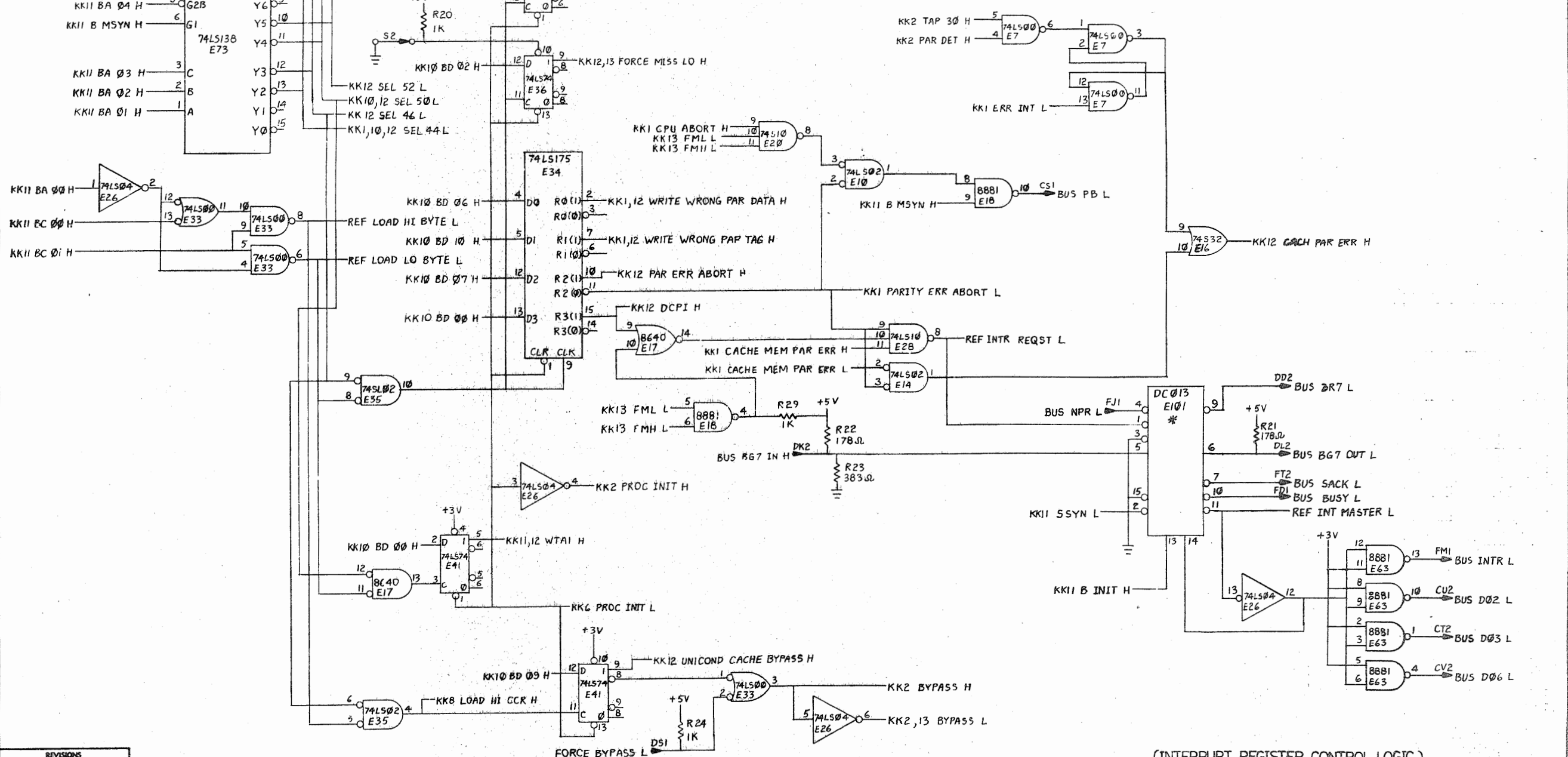
(AMUX BUFFERS, START TRAN LOGIC)			
TITLE	SIZE CODE	NUMBER	REV.
KK 11A CACHE (KK-6)	D	MS268-0-1	D
SCALE	SHEET	OF	DIST.

23

* - 8647 IS ACCEPTABLE SUBSTITUTE

"THIS DRAWING AND SPECIFICATIONS, HEREIN, ARE THE PROPERTY OF DIGITAL EQUIPMENT CORPORATION AND SHALL NOT BE REPRODUCED OR COPIED OR USED IN WHOLE OR IN PART AS THE BASIS FOR THE MANUFACTURE OR SALE OF ITEMS WITHOUT WRITTEN PERMISSION. COPYRIGHT © 1977 DIGITAL EQUIPMENT CORPORATION"

- KK11 BA 17 H 1
- KK11 BA 16 H 2
- KK11 BA 15 H 3
- KK11 BA 14 H 4
- KK11 BA 13 H 5
- KK11 BA 12 H 6
- KK11 BA 11 H 7
- KK11 BA 10 H 8
- KK11 BA 09 H 9
- KK11 BA 08 H 10
- KK11 BA 07 H 11
- KK11 BA 06 H 12
- KK11 BA 05 H 13
- KK11 BA 04 H 14
- KK11 B MSYN H 15

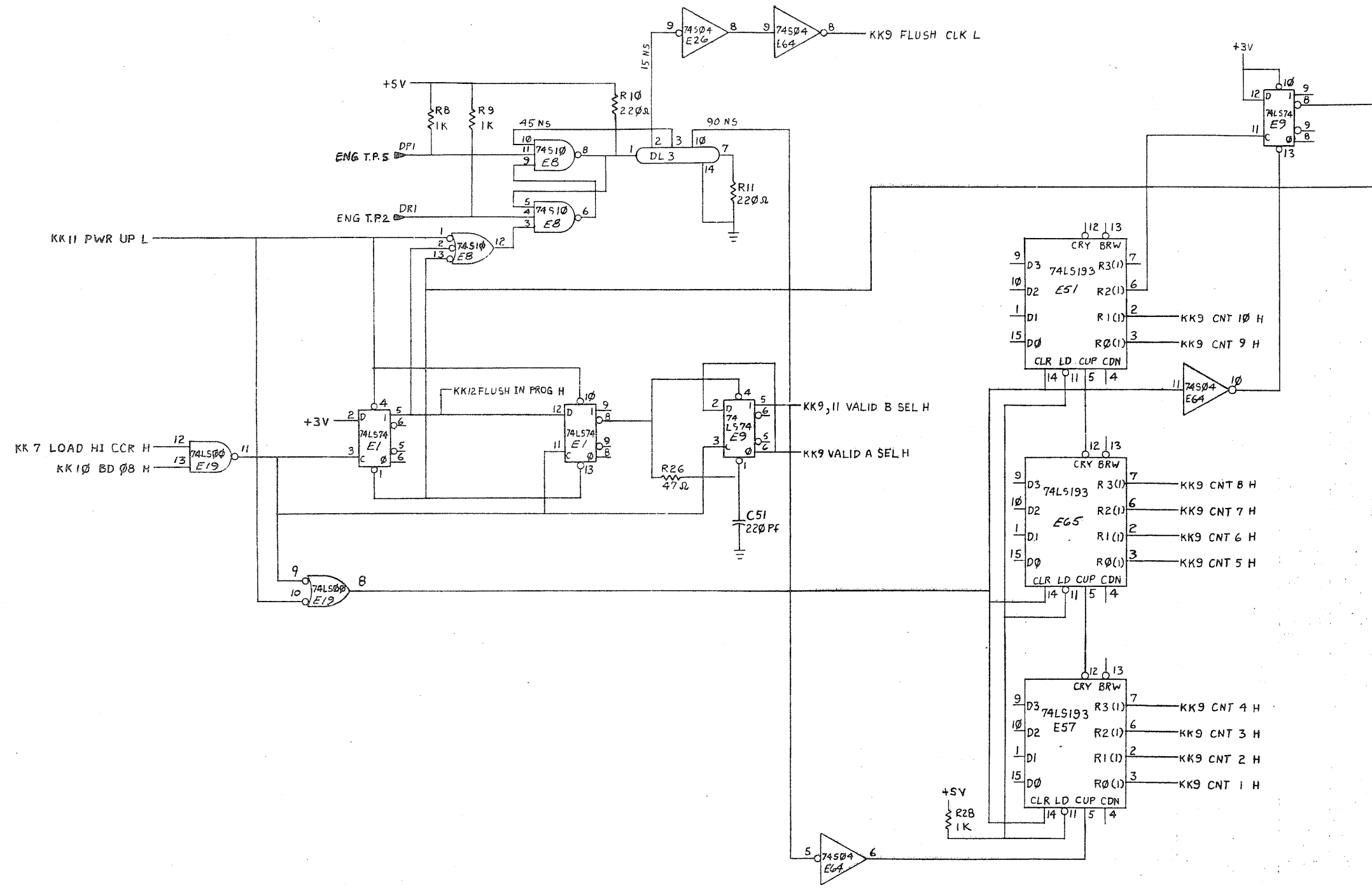


CHK	CHANGE NO.	REV.

(INTERRUPT, REGISTER CONTROL LOGIC)

TITLE	SIZE/SCALE	NUMBER	REV.
KK11 A CACHE KK7	D CS M8268-0-1	7 OF 13	0

"THIS DRAWING AND SPECIFICATIONS, HEREIN, ARE THE PROPERTY OF DIGITAL EQUIPMENT CORPORATION AND SHALL NOT BE REPRODUCED OR COPIED OR USED IN WHOLE OR IN PART AS THE BASIS FOR THE MANUFACTURE OR SALE OF ITEMS WITHOUT WRITTEN PERMISSION. COPYRIGHT © 1977 DIGITAL EQUIPMENT CORPORATION"



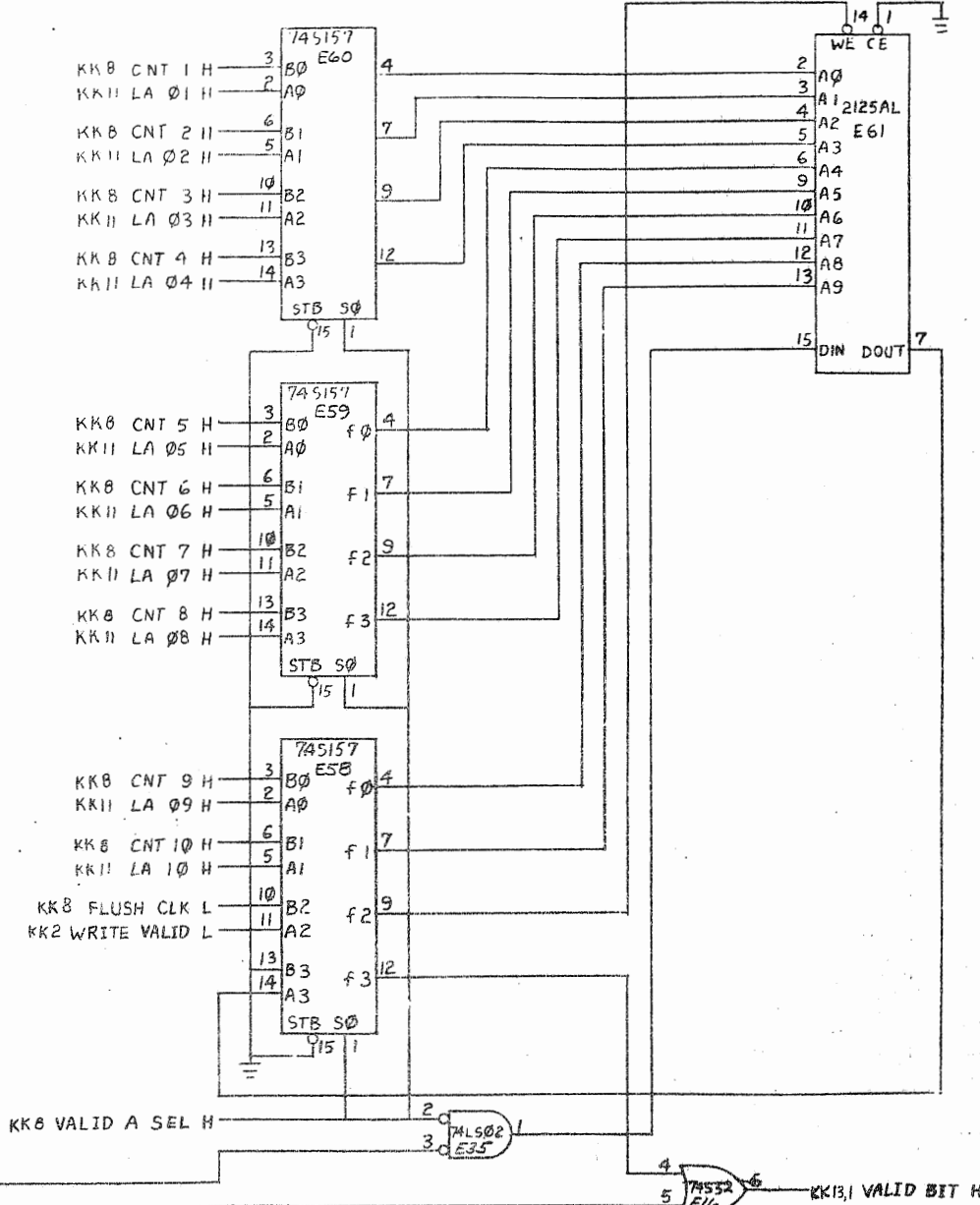
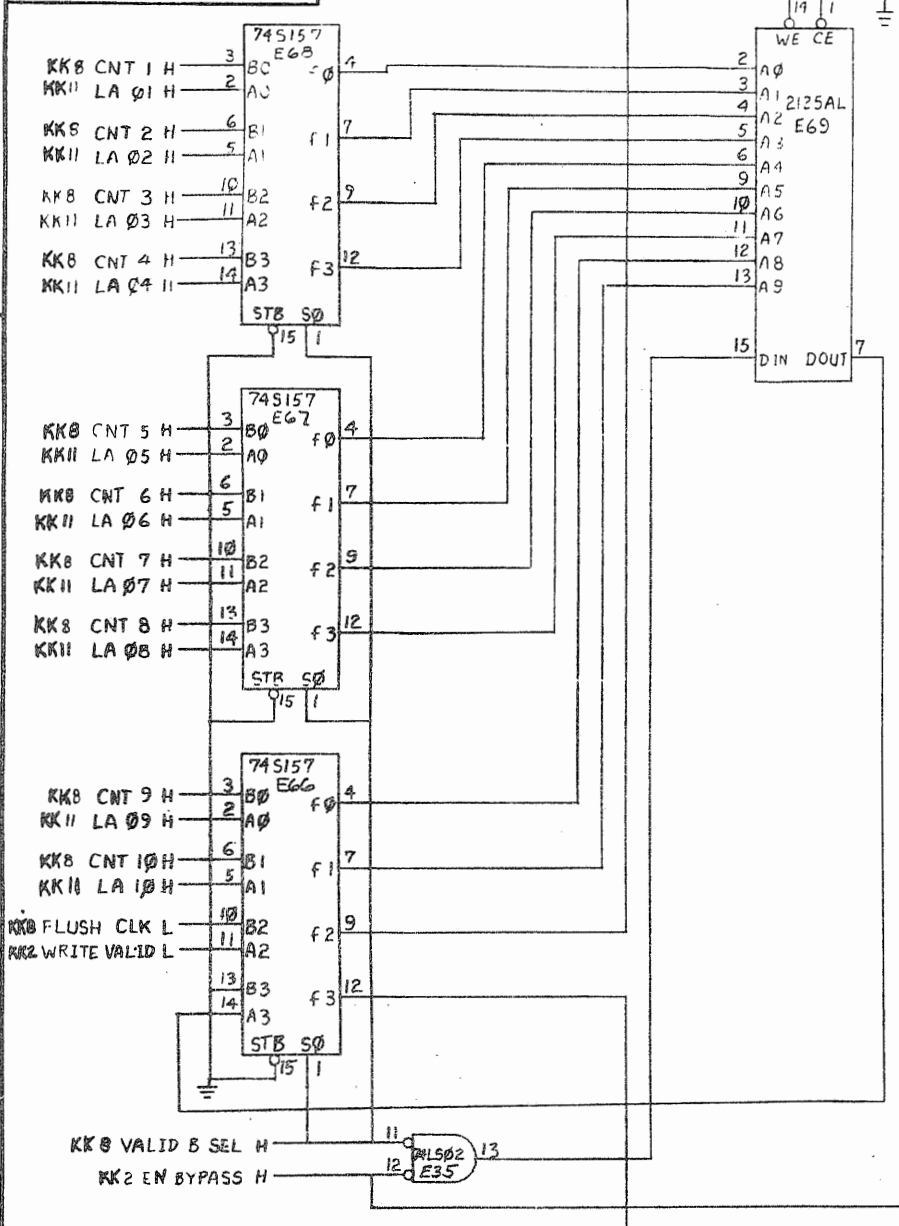
REVISIONS		
CHK	CHANGE NO.	REV.

(FLUSH COUNTER)

TITLE	SIZE/CODE	NUMBER	REV.
KK11A CACHE (KK8)	D CS	M8268-0-1	0
SCALE	SHEET	OF	DIST.
	8	13	

25

THIS DRAWING AND SPECIFICATIONS HEREAFTER ARE THE PROPERTY OF DIGITAL EQUIPMENT CORPORATION AND SHALL NOT BE REPRODUCED OR COPIED OR USED IN WHOLE OR IN PART AS THE BASIS FOR THE MANUFACTURE OR SALE OF ITEMS WITHOUT WRITTEN PERMISSION OF DIGITAL EQUIPMENT CORPORATION. COPYRIGHT © 1977 DIGITAL EQUIPMENT CORPORATION

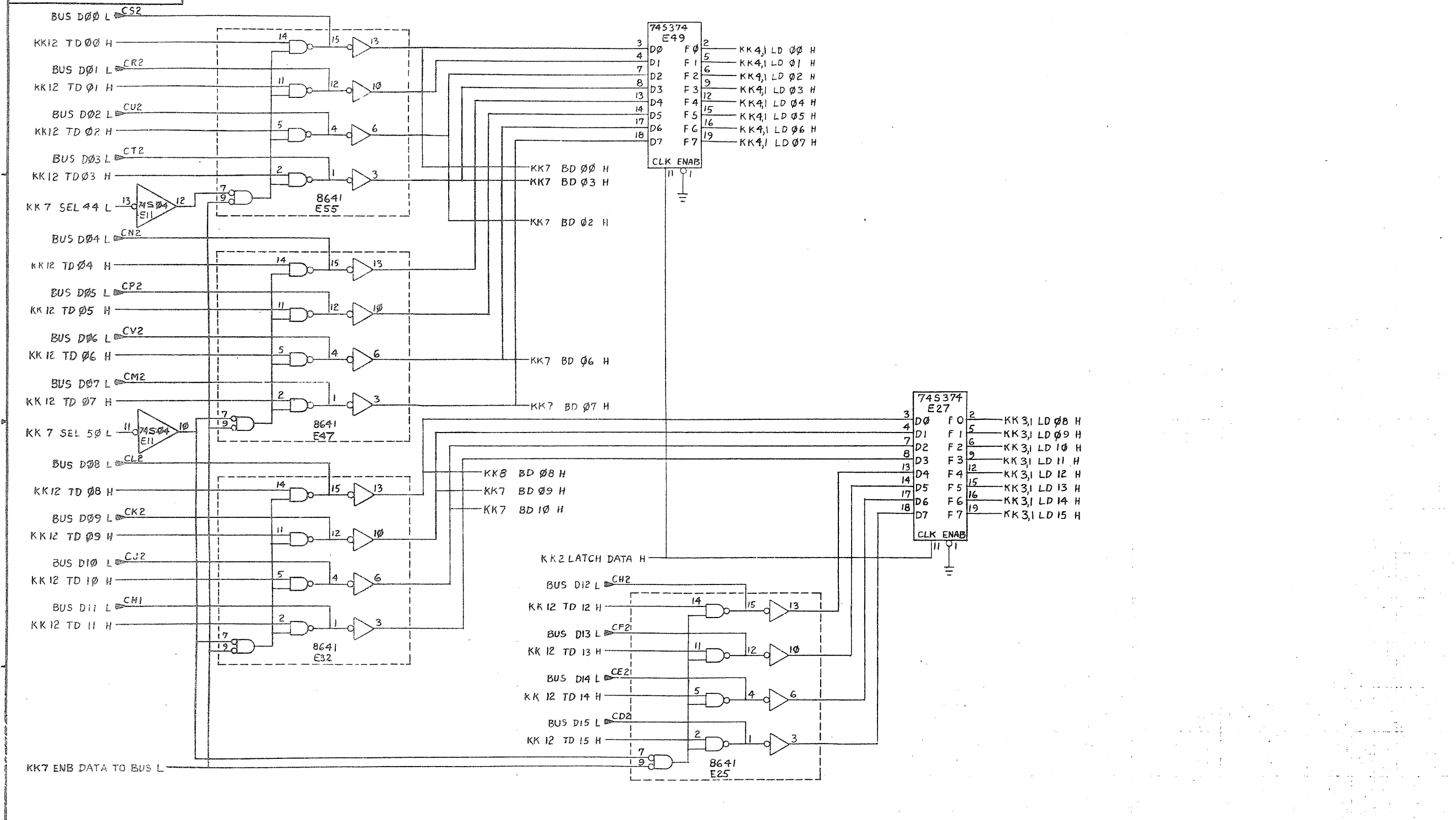


REVISIONS		
CHK	CHANGE NO.	REV.

(VALID BIT STORE)

TITLE	KK11 A CACHE (KK9)	DCS M8268-0-1
SCALE	1/1	SHEET 9 OF 13

THIS DRAWING AND SPECIFICATIONS HEREIN ARE THE PROPERTY OF DIGITAL EQUIPMENT CORPORATION AND SHALL NOT BE REPRODUCED OR COPIED OR USED IN WHOLE OR IN PART AS THE BASIS FOR THE MANUFACTURE OR SALE OF ITEMS WITHOUT WRITTEN PERMISSION. COPYRIGHT © 1977 DIGITAL EQUIPMENT CORPORATION

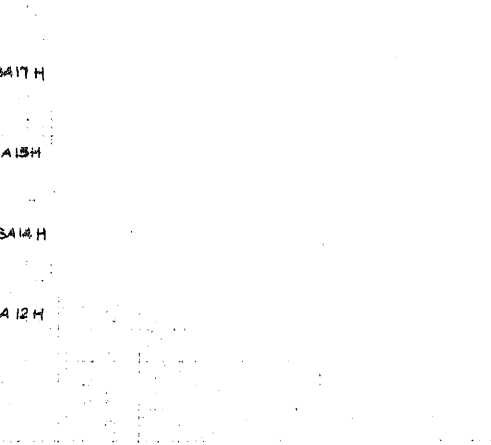
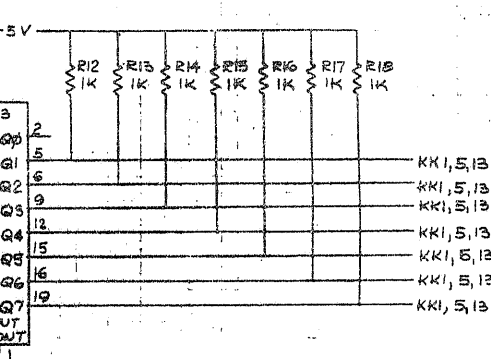
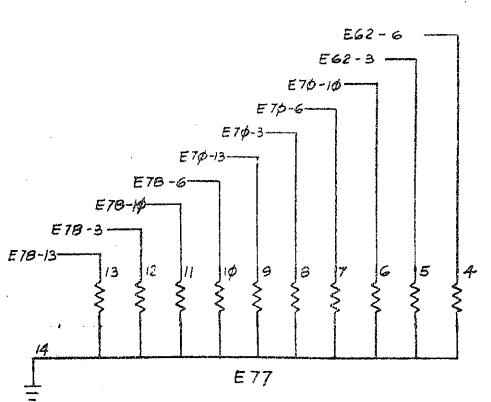
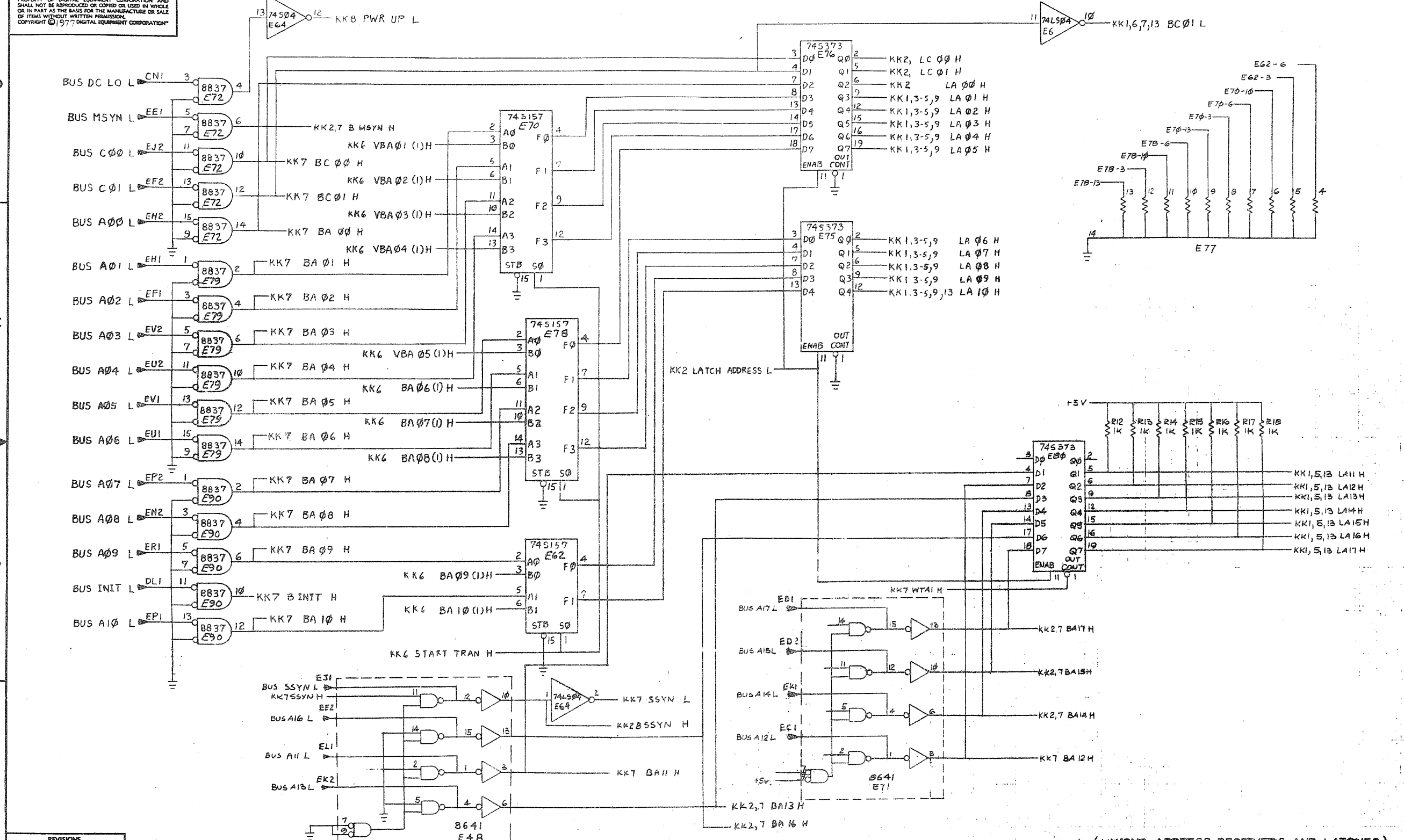


REVISIONS		
CHK	CHANGE NO.	REV.

TITLE		SIZE	NUMBER	REV.
KK11A CACHE (KK10)		D	DCS M8268-0-1	0
SCALE	SHEET	DIST.		
11	10 OF 13			

27

THIS DRAWING AND SPECIFICATIONS HEREIN ARE THE PROPERTY OF DIGITAL EQUIPMENT CORPORATION AND SHALL NOT BE REPRODUCED OR COPIED OR USED IN WHOLE OR IN PART AS THE BASIS FOR THE MANUFACTURE OR SALE OF ITEMS WITHOUT WRITTEN PERMISSION. COPYRIGHT © 1977 DIGITAL EQUIPMENT CORPORATION

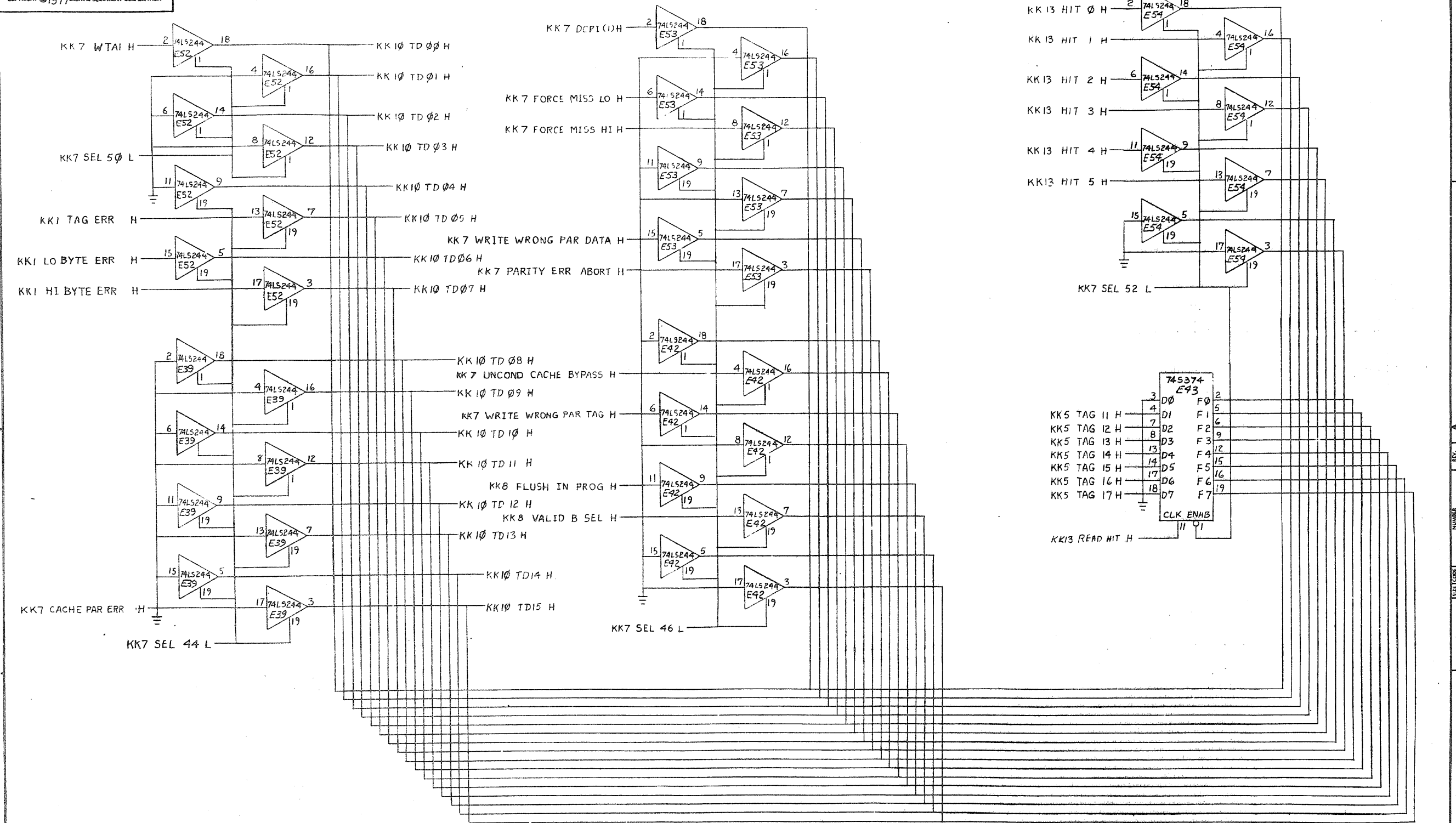


REVISIONS		
CHK	CHANGE NO.	REV.

(UNIBUS ADDRESS RECEIVERS AND LATCHES)

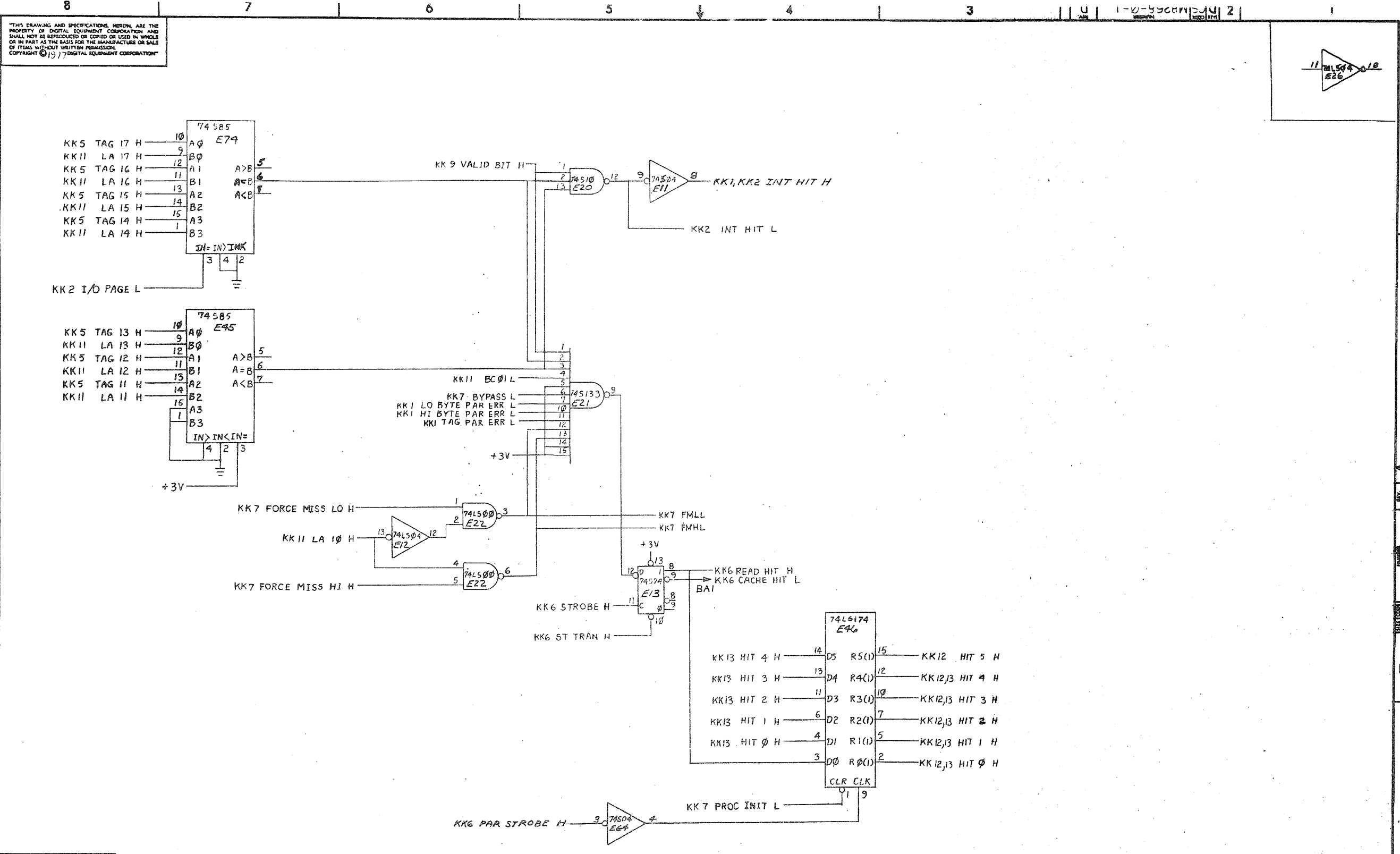
TITLE	KK11A CACHE (KK11)	DCS M8268-0-1	REV.	2
SCALE	1/1	SHEET	11	OF 15

THIS DRAWING AND SPECIFICATIONS, HEREIN, ARE THE PROPERTY OF DIGITAL EQUIPMENT CORPORATION AND SHALL NOT BE REPRODUCED OR COPIED OR USED IN WHOLE OR IN PART AS THE BASIS FOR THE MANUFACTURE OR SALE OF ITEMS WITHOUT WRITTEN PERMISSION. COPYRIGHT © 1977 DIGITAL EQUIPMENT CORPORATION.

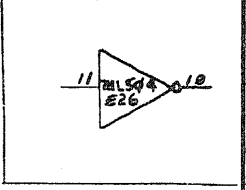


REVISIONS		
CHK	CHANGE NO.	REV.

(UNIBUS REGISTERS)		TITLE	SIZE CODE	NUMBER	REV.
		KK11 A CACHE (KK12)	D/CS	M8268-0-1	D
SCALE	SHEET	DIST.			
1/1	12 OF 13				



THIS DRAWING AND SPECIFICATIONS HEREIN ARE THE PROPERTY OF DIGITAL EQUIPMENT CORPORATION AND SHALL NOT BE REPRODUCED OR COPIED OR USED IN WHOLE OR IN PART AS THE BASIS FOR THE MANUFACTURE OR SALE OF ITEMS WITHOUT WRITTEN PERMISSION. COPYRIGHT © 1977 DIGITAL EQUIPMENT CORPORATION



REVISIONS		
CHK	CHANGE NO.	REV.

(HIT LOGIC & SPARE GATES)

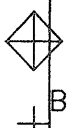
TITLE	SIZE/CODE	ORDER	REV.
KK11 A CACHE (KK13)	DCS	268-0-1	0
SCALE	SHEET	DIST.	
11	13 OF 13		

THIS DRAWING AND SPECIFICATIONS, HEREIN, ARE THE PROPERTY OF DIGITAL EQUIPMENT CORPORATION AND SHALL NOT BE REPRODUCED OR COPIED IN WHOLE OR IN PART OR IN ANY MANNER FOR THE DISSEMINATION OR SALE OF THIS OR OTHER DIGITAL PRODUCTS.
 COPYRIGHT © 1978 DIGITAL EQUIPMENT CORPORATION

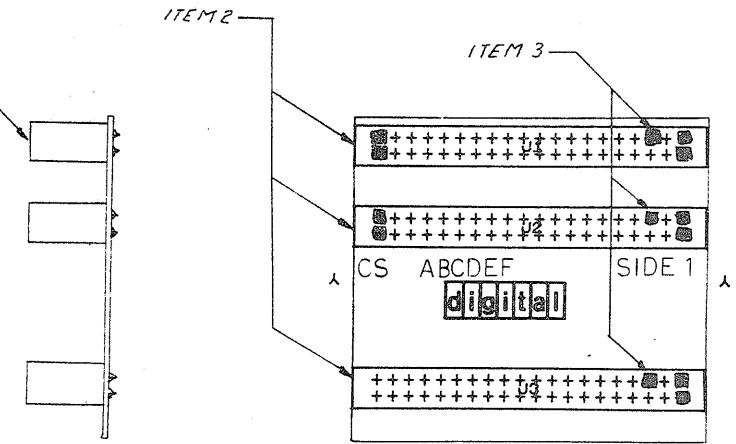
2 | DUA H8822-0-0 | 2 | 1

COMPONENT SIDE VIEW

D
C
B
A



SEE NOTE 1
& NOTE 2



NOTES:

- 1. INSTALL DEC# 12 13508-03 (KEY) P/L
- ITEM 3 REFER DEC# 12 13508-01 (CONV) P/L ITEM 2 ARE INSTALLED
- 2. CONNECTORS HAVE KEY INSTALLED FROM FACTORY, IN ALL 4 CORNERS.

CHANGE NO	REV
5412684-1	B
P. B. [unclear]	22-78
E. CROCKER	[unclear]
[unclear]	[unclear]

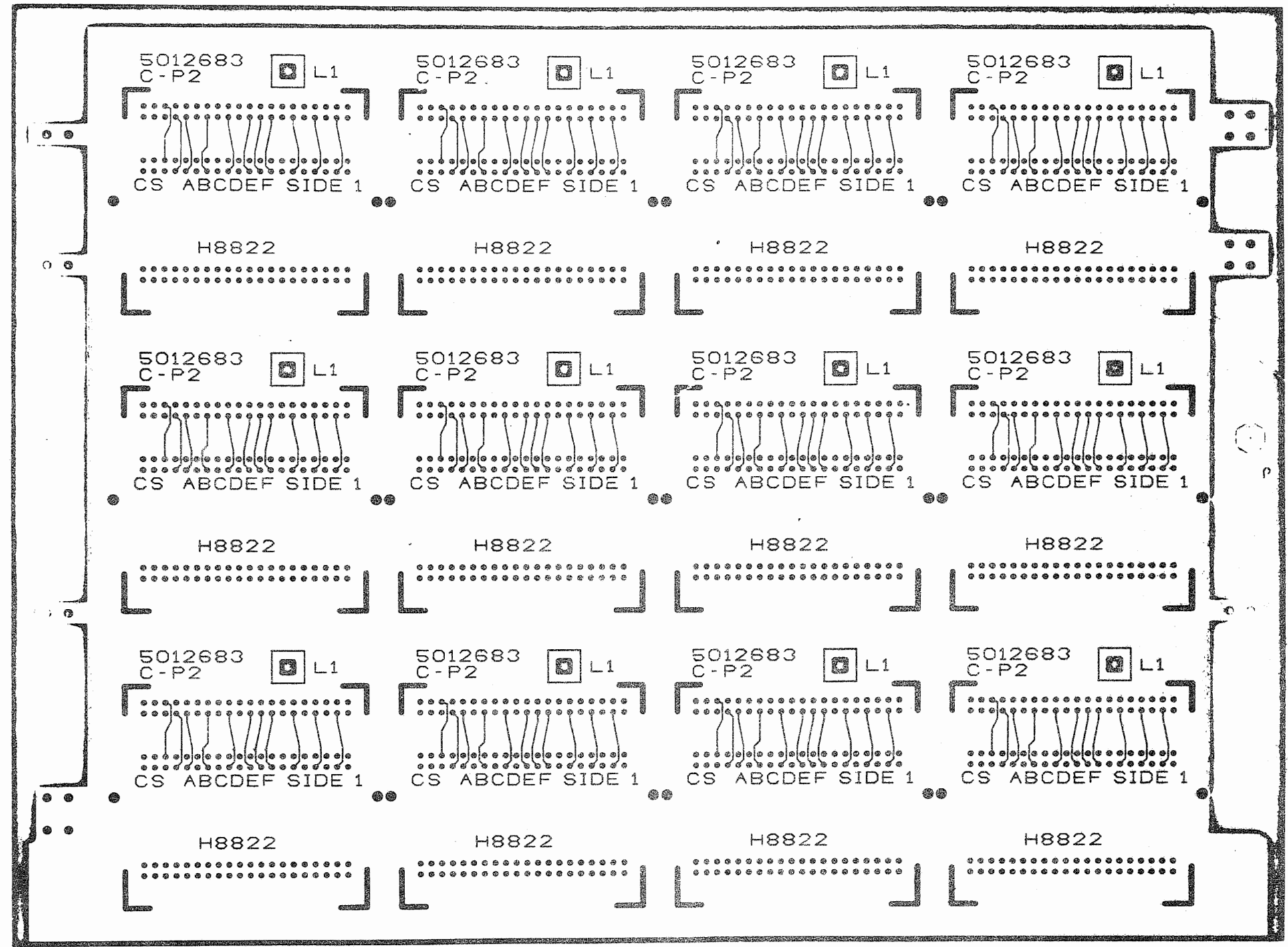
ETCH REV.	C-P2
P.C. DESIGN DATA BASE REV.	C

SIGNATURES	DATE
DRN. D. POWERS	9-22-78
CHK'D. [unclear]	9-22-78
ENG. [unclear]	9-22-78
PROJ. ENG. [unclear]	9-22-78
PROD. [unclear]	9-22-78

digital	
TITLE TRICONN BOARD	
SCALE 2-1	SIZE CODE
SHT. 1 OF 3	NUMBER
NEXT HIGHER ASSY. B-DD-H8822-0	D U A H8822-0-0

THIS DRAWING AND THE MATERIAL HEREIN ARE THE PROPERTY OF DIGITAL EQUIPMENT CORPORATION AND SHALL NOT BE REPRODUCED, COPIED, OR LENT IN WHOLE OR IN PART AS THE BASIS FOR THE MANUFACTURE OR SALE OF ITEMS WITHOUT WRITTEN PERMISSION OF DIGITAL EQUIPMENT CORPORATION.
 DATE: 10/17/78

LAYER 1

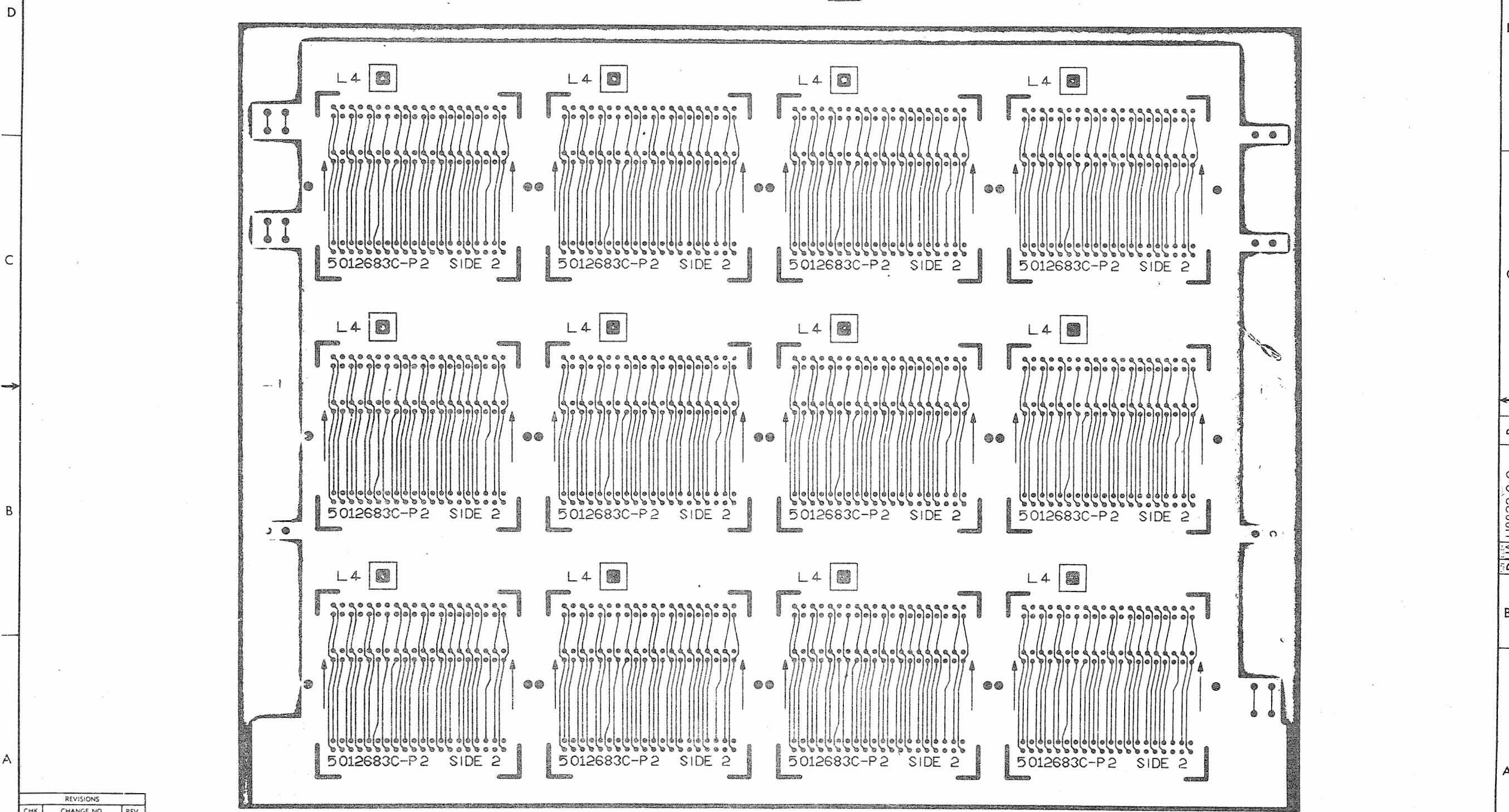


REVISIONS		
CHK	CHANGE NO	REV

TITLE	TRICONN BOARD	SIZE/CODE	DUAH8822-0-0	NUMBER	B
SCALE	2-	SHEET	2 OF 3	TW	1

THIS DRAWING AND SPECIFICATIONS HEREIN ARE THE PROPERTY OF DIGITAL EQUIPMENT CORPORATION AND SHALL NOT BE REPRODUCED OR COPIED OR USED IN WHOLE OR IN PART AS THE BASIS FOR THE MANUFACTURE OR SALE OF ITEMS WITHOUT WRITTEN PERMISSION. DIGITAL EQUIPMENT CORPORATION. COPYRIGHT © 1978

U A34AJ



REVISIONS		
CHK	CHANGE NO	REV

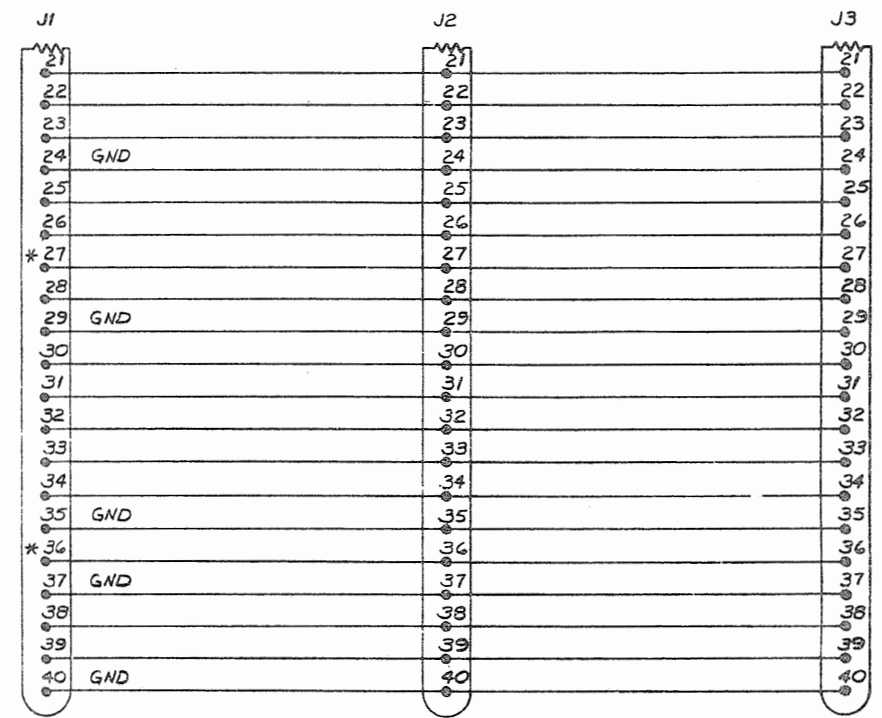
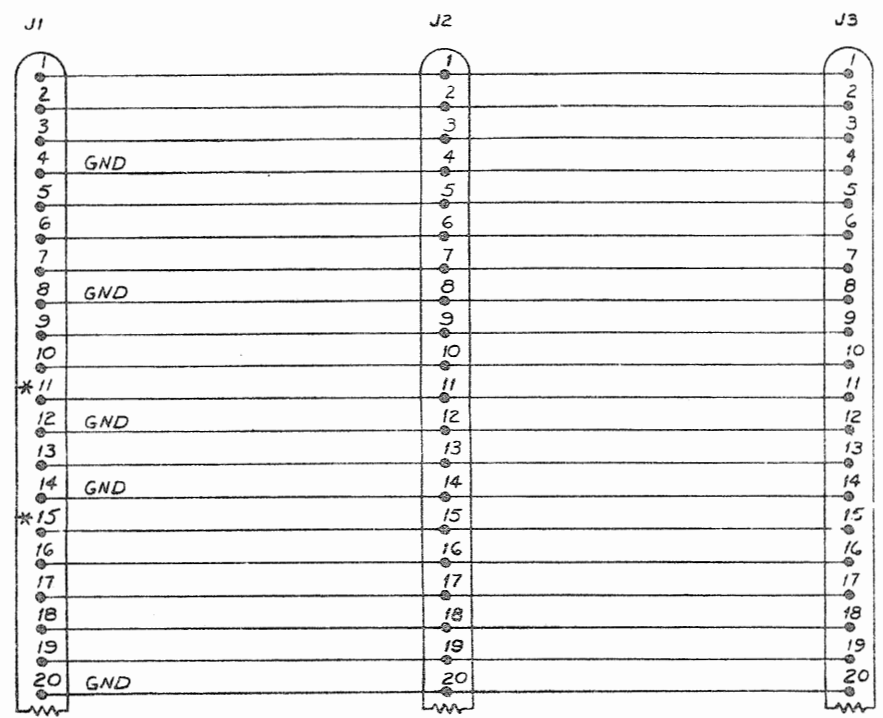
TITLE	TRICONN BOARD	SIZE	COPIES	NUMBER	REV.
SCALE	2-1	SHEET	3	OF 3	B

LINE ITEM	DOCUMENT NUMBER	PART NUMBER	DESCRIPTION	QTY PER VARIATION 00	REFERENCE DESIGNATOR
1	D-MD-5012683-0-0	5012683-00	TRICONN BD	1	
2		1213508-01	CONN .100 44POS STRAIGHT	3	J1,J2,J3
3		1213508-03	CONN KEYING PLUG	3	

REVISION HISTORY		BASIC PART NO: H8822		DRN: DENNIS SIREEN		DATE: 27-DEC-77		D I G I T A I L	
ENG	ECO NUMBER	REV	SECTION A OF A	CHK'D:	FRED GERRY	DATE:	27-DEC-77	TITLE	PARTS LIST
---	INITIAL	A	SECTION VARIATION INDEX	CHK'D:	FRED GERRY	DATE:	27-DEC-77	TITLE	TRICONN BOARD
---	00001	B	[A] 00						
			[B]						
			[C]	DES.ENG:	JOE MERCURI	DATE:	24-FEB-78		
			[D]						
			[E]					DOCUMENT NUMBER	
			[F]	RESP.ENG.:	JOE MERCURI	DATE:	24-FEB-78		
			[G]					SIZE	CODE
			[H]					NUMBER	REV
			[I]						
			[J]						
			[K]	MFG.ENG.:	BOB KING	DATE:	24-FEB-78	K	PL
			[L]					H8822-0-JBP	B
			[M]	ASSEMBLY NUMBER:				FILE NAME:	EDIT #
			[N]	D-UA-H8822-0-0				H8822.PLS	1

"THIS DRAWING AND SPECIFICATIONS HEREIN, ARE THE PROPERTY OF DIGITAL EQUIPMENT CORPORATION AND SHALL NOT BE REPRODUCED OR COPIED OR USED IN WHOLE OR IN PART AS THE BASIS FOR THE MANUFACTURE OR SALE OF ITEMS WITHOUT WRITTEN PERMISSION. COPYRIGHT (C) 1979, DIGITAL EQUIPMENT CORPORATION"

THIS DRAWING AND SPECIFICATIONS HEREIN ARE THE PROPERTY OF DIGITAL EQUIPMENT CORPORATION AND SHALL NOT BE REPRODUCED OR COPIED OR USED IN WHOLE OR IN PART AS THE BASIS FOR THE MANUFACTURE OR SALE OF ITEMS WITHOUT WRITTEN PERMISSION. COPYRIGHT © 1976, DIGITAL EQUIPMENT CORPORATION



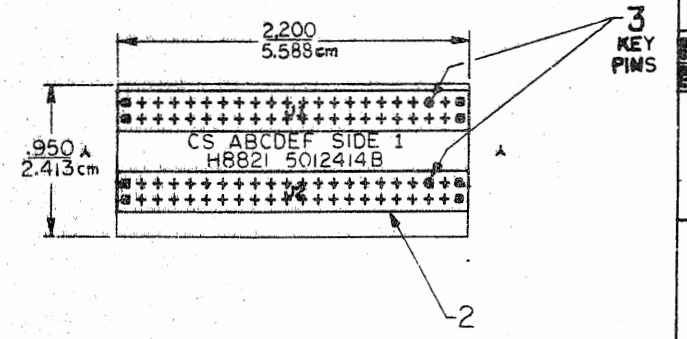
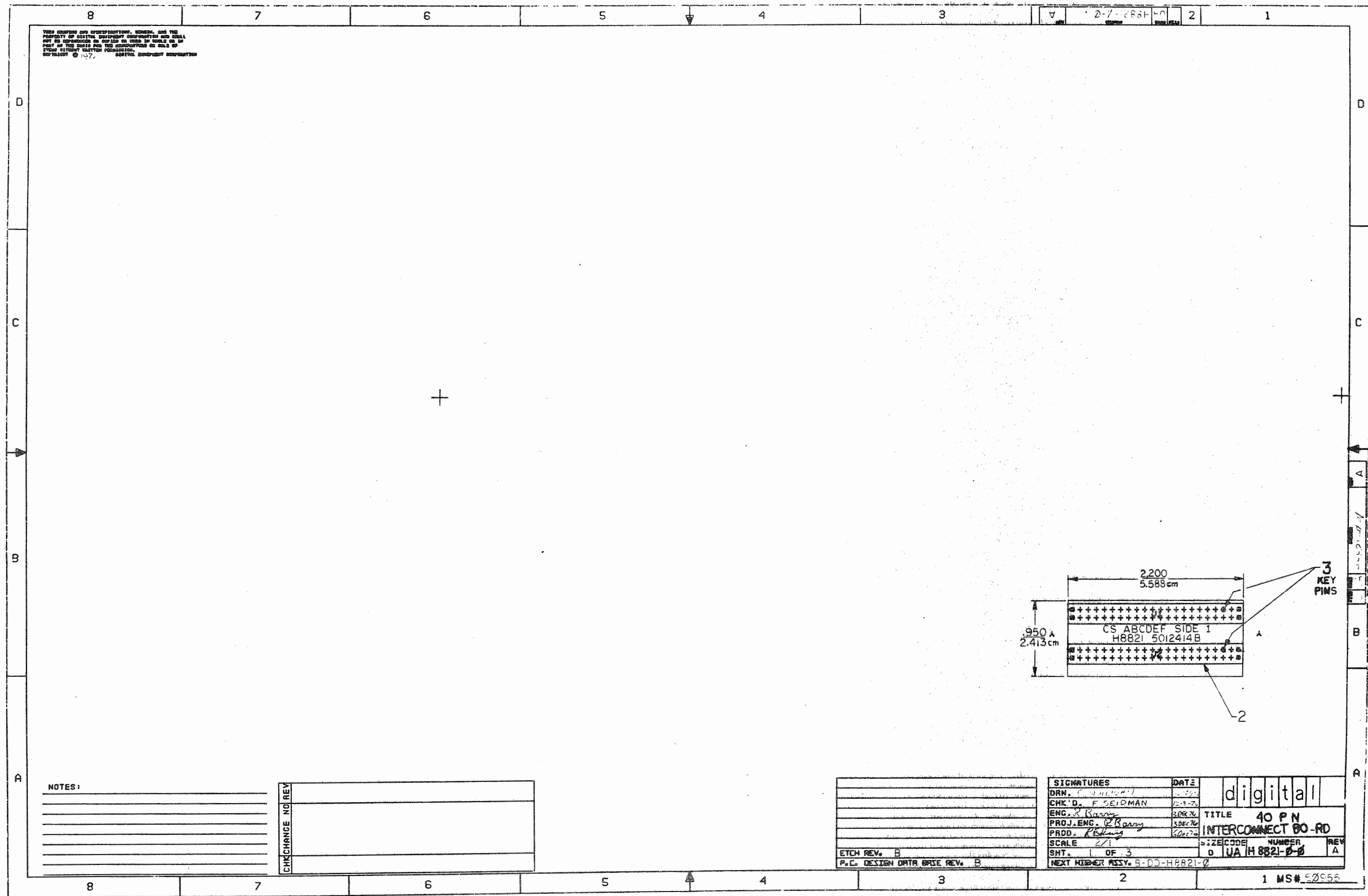
NOTES:
 1. * DESIGNATES CONDUCTORS LOCATED ON LAYER 2.

REV.	542684-1W001	B
CHK	P. Macdonald	10 Oct 78
	E. Crocker	10 Nov 78

FIRST USED ON OPTION/MODEL	QTY.	DESCRIPTION	PART NO.	ITEM NO.
PARTS LIST				
DIMENSIONAL TOLERANCE		DATE	digital	
DIMENSIONS ARE MILLIMETERS INCHES		12/3/76		
UNLESS OTHERWISE SPECIFIED		DATE		
MILLIMETERS	INCHES	ANGLES	TITLE	
X.XX ±0.10	XXX ±.005	30° 30'	TRICONN BOARD	
X.X ±0.5	XX ±.02		DATE	
X ±.2	X ±.1		12/24/78	
THIRD ANGLE PROJECTION	REMOVE BURRS AND BREAK SHARP CORNERS SURFACE QUALITY	DATE	DATE	
	NEXT HIGHER ASSY.	12/24/78	12/24/78	
MATERIAL	FINISH	SCALE	SIZE CODE	NUMBER
		H	DCS	H8822-0-1
		SHEET	OF	REV.
				B

THIS DRAWING AND SPECIFICATIONS, WHETHER AND THE PROPERTY OF THE U.S. GOVERNMENT OR NOT, SHALL NOT BE REPRODUCED OR TRANSMITTED IN ANY FORM OR BY ANY MEANS, ELECTRONIC OR MECHANICAL, INCLUDING PHOTOCOPYING, RECORDING, OR BY ANY INFORMATION STORAGE AND RETRIEVAL SYSTEM, WITHOUT EXPRESS PERMISSION OF THE U.S. GOVERNMENT.

2-7-68 H-0 2



NOTES:

CHK	CHANGE NO	REV

ETCH REV. B
P.C. DESIGN DATA BASE REV. B

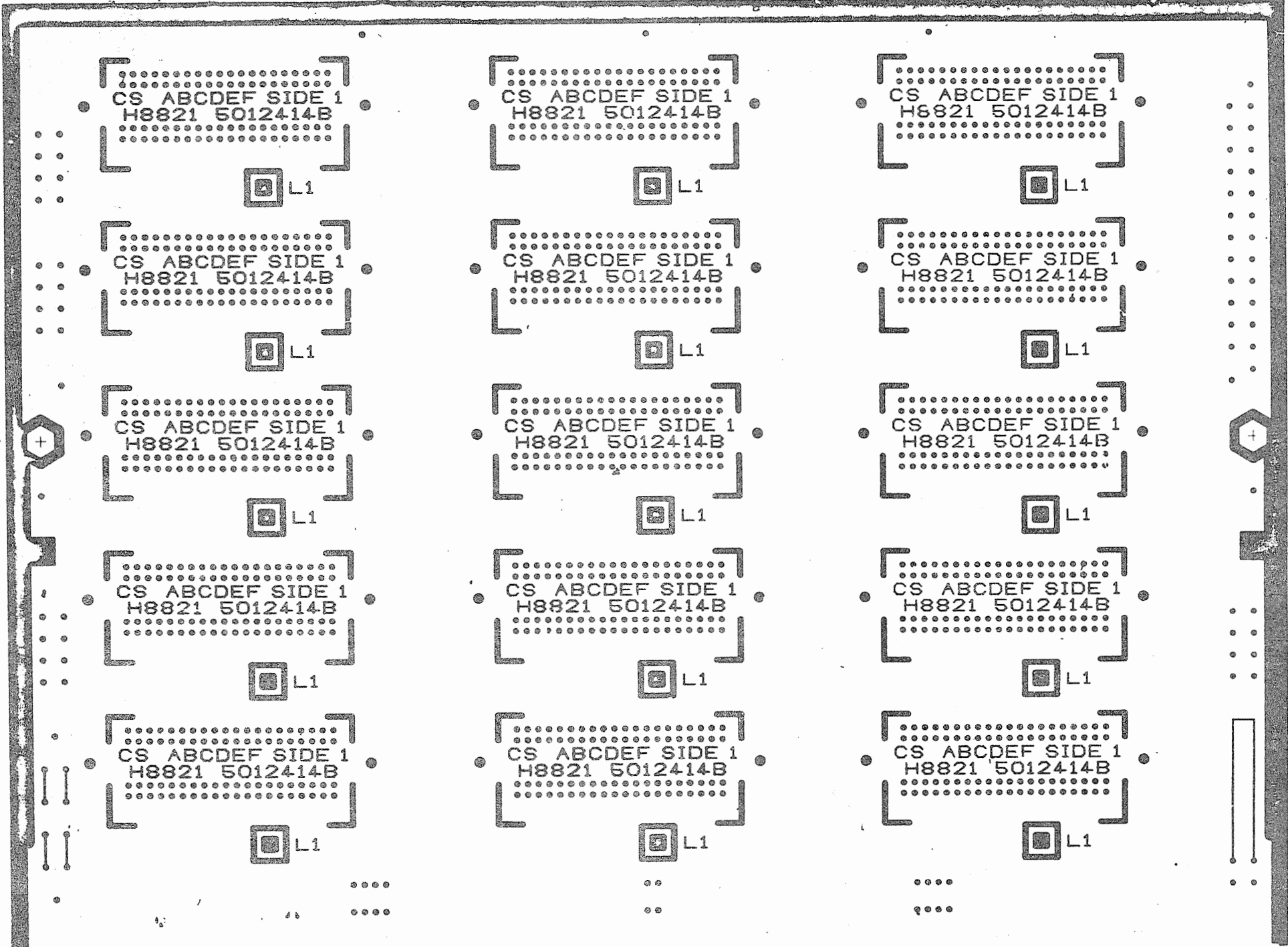
SIGNATURES		DATE	digital
DRN. <i>[Signature]</i>		12-27-71	
CHK'D. F. SEIDMAN		12-3-71	
ENG. R. RAY		3 DEC 71	
PROJ. ENG. P. BARRY		3 DEC 71	
PRD. P. BARRY		12/27/71	
SCALE 2/1			
SHT. 1 OF 3			
NEXT HIGHER ASSY. B-DC-H8821-0			

TITLE	40 P N
INTERCONNECT BO-RO	
SIZE CODE	D
NUMBER	1
REV	A

1 MS# 52955

THIS DRAWING AND SPECIFICATIONS HEREAFTER ARE THE PROPERTY OF DIGITAL EQUIPMENT CORPORATION AND SHALL NOT BE REPRODUCED OR COPIED OR USED IN WHOLE OR IN PART AS THE BASIS FOR THE MANUFACTURE OR SALE OF ITEMS WITHOUT WRITTEN PERMISSION. COPYRIGHT © 1976 DIGITAL EQUIPMENT CORPORATION

LITERATURE

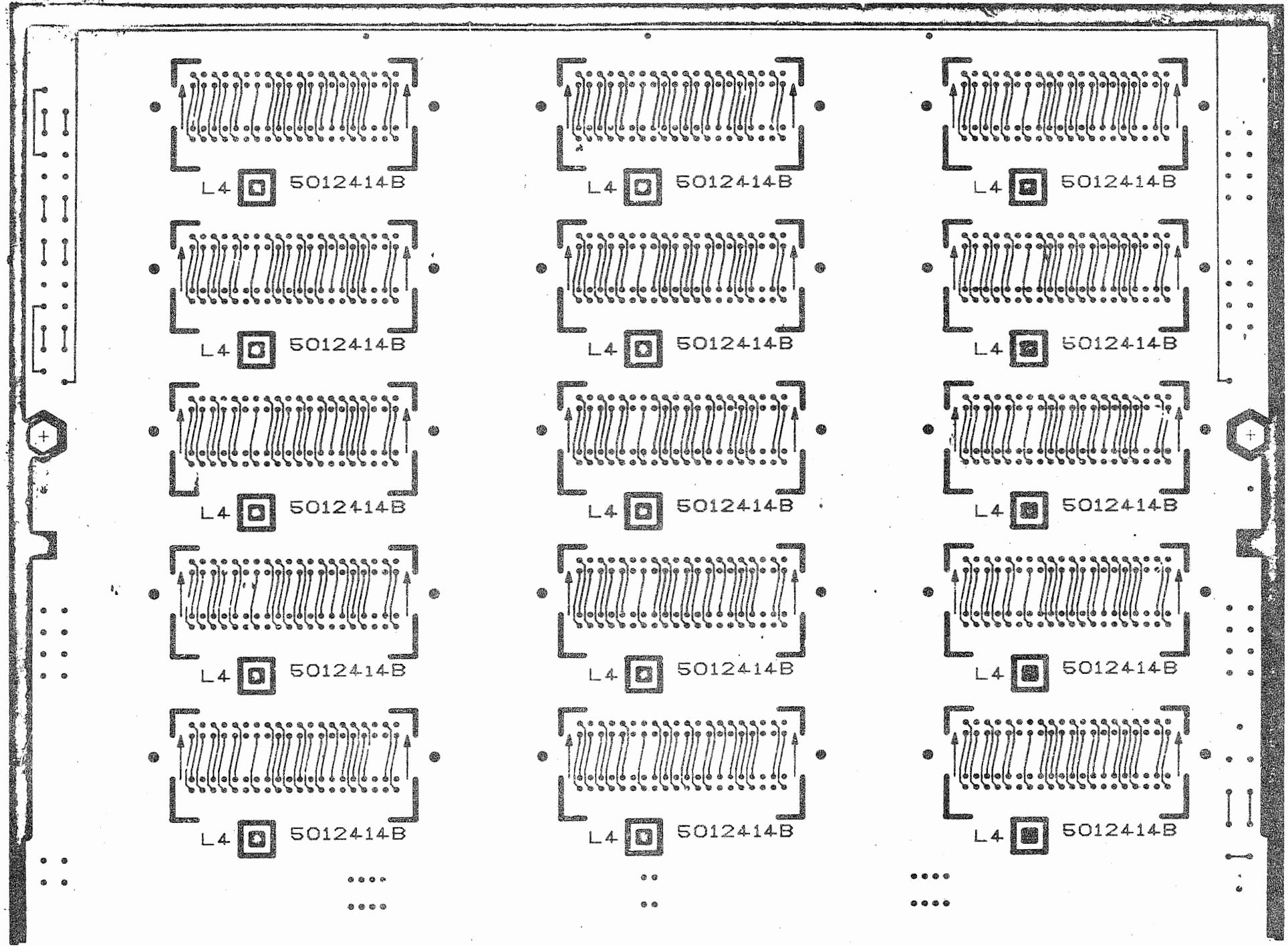


REVISIONS		
CHK	CHANGE NO.	REV.

TITLE	SIZE/CODE	NUMBER	REV.
40 PIN INTERCONNECT BOARD	D U A	H8821-0-0	A
SCALE 2/1	SHEET 2 OF 3	DIST.	

THIS DRAWING AND SPECIFICATIONS HEREIN ARE THE PROPERTY OF D.E.C. EQUIPMENT CORPORATION AND SHALL NOT BE REPRODUCED OR USED IN WHOLE OR IN PART AS THE BASIS FOR THE MANUFACTURE OR SALE OF ITEMS WITHOUT WRITTEN PERMISSION. COPYRIGHT ©1976 DIGITAL EQUIPMENT CORPORATION.

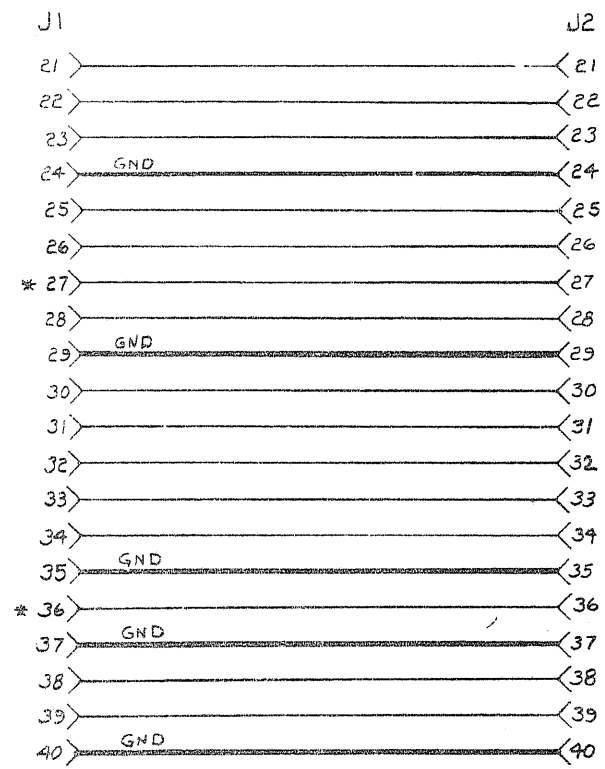
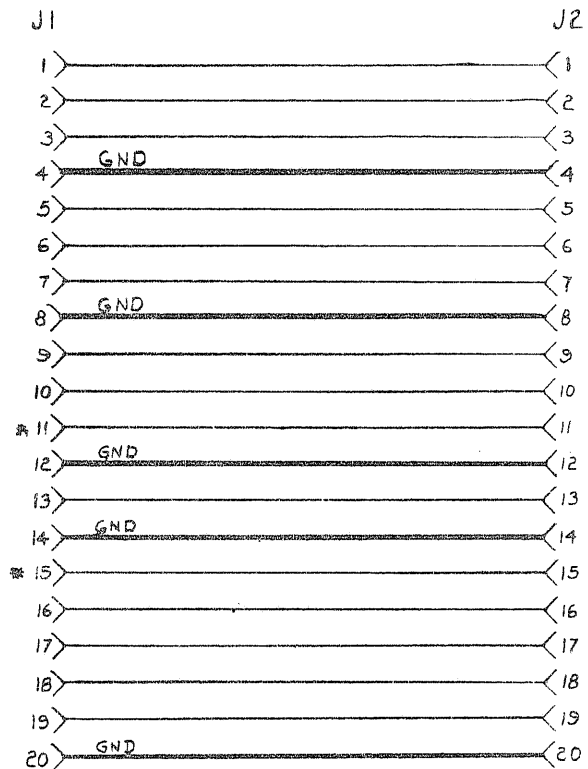
2-D-288H UNID 2



REVISIONS		
CHK	CHANGE NO	REV

TITLE	SIZE/CODE	NUMBER	REV.
40 PIN INTERCONNECT BOARD	D UA	H8821-0-0	A
SCALE 2/1	SHEET 3 OF 3	DIST.	


"THIS DRAWING AND SPECIFICATIONS, HEREIN, ARE THE PROPERTY OF DIGITAL EQUIPMENT CORPORATION AND SHALL NOT BE REPRODUCED OR COPIED OR USED IN WHOLE OR IN PART AS THE BASIS FOR THE MANUFACTURE OR SALE OF ITEMS WITHOUT WRITTEN PERMISSION. COPYRIGHT © 1976, DIGITAL EQUIPMENT CORPORATION"



NOTES:

1. * DESIGNATES CONDUCTORS TO BE LOCATED ON LAYER 2
2. GND WILL BE ON LAYER 3 & REMAINING ETCH ON LAYER 4
3. LAYER 1 (SIDE 1) WILL BE FREE OF ALL CIRCUITRY

REVISIONS	REV.
CHANGE NO.	
CHK	

FIRST USED ON OPTION/MODEL	QTY.	DESCRIPTION	PART NO.	ITEM NO.	
PARTS LIST					
UNLESS OTHERWISE SPECIFIED DIMENSION IN INCHES	DRN. F. MULLIGAN	DATE 8/3/76	 digital EQUIPMENT CORPORATION MAYNARD, MASS. 01901		
TOLERANCES	CHK'D. <i>[Signature]</i>	DATE 8/10/76			
DECIMALS	ENG. R. Barry	DATE 8 DEC 76			
ANGLES	PROJ. ENG. R. Barry	DATE 8/20/76			
.xxx = .005 .xx = .02 .x = .1	REMOVE BURRS AND BREAK SHARP CORNERS SURFACE QUALITY 4	PROJ. ENG. <i>[Signature]</i>	DATE 8/20/76	TITLE 40 PIN INTERCONNECT BOARD	
MATERIAL	NEXT HIGHER ASSY.	SIZE CODE	NUMBER	REV.	
FINISH	SCALE NA	C CS	H8821-0-1	A	
SHEET 1 OF 1		DIST			

B
 C
 D
 1
 2
 3
 4
 5
 6
 7
 8
 9
 10
 11
 12
 13
 14
 15
 16
 17
 18
 19
 20
 NUMBER
 H8821-0-1
 SIZE CODE
 C CS

**DIGITAL EQUIPMENT CORPORATION
MAYNARD, MASSACHUSETTS
PARTS LIST**

MADE BY <i>A. Breda</i>	CHECKED <i>R Day</i>	SECTION
DATE 23 MAR 78	DATE 8-JULY-78	
ENG <i>R Day</i>	PROD <i>R Day</i>	ISSUED SECT.
DATE 8-JULY-78	DATE 9-26-78	

QUANTITY VARIATION

ITEM NO.	DWG NO./PART NO.	DESCRIPTION	KK11-A												
1	EK-KK11-A-UG-001	KK11-A CACHE MEMORY USERS GUIDE	1												
2	AK-E112-A-ML	SOFTWARE LIBRARY KIT (PAPER TAPE)	1												
3	AC-E110-A-ML	SOFTWARE LIBRARY KIT (DOCUMENTATION)	1												
4	MP00574	KK11-A FIELD MAINTENANCE PRINT SET	1												
5	1303114-00	1K 1/8 RESISTOR	1												
		NOTE: 1K RESISTOR IS USED TO REPLACE R2 ON M8266 PROCESSOR BOARD IF THE VALUE OF R2 IS 750 OHM.													

TITLE	ASSY NO.	SIZE	CODE	NUMBER	REV	ECO NO.
KK11-A SHIPPING LIST	NONE	A	PL	KK11-A-2	C	
SHEET 1 OF 1		DIST				

DEC FORM DRA 110

