

PROPRIETARY INFORMATION
 THIS INFORMATION CONTAINS TRADE SECRETS AND IS THE PROPERTY OF TANDY CORPORATION. IT IS TO BE KEPT CONFIDENTIAL AND NOT TO BE DISCLOSED TO ANY OTHER PERSON OR ORGANIZATION WITHOUT THE WRITTEN PERMISSION OF TANDY CORPORATION.

DATE	TITLE
NOV 30 83	SCHMATIC - HI-RES GRAPHICS PROJECT J-507 (26-5140)
DESIGNER: Paul Schreiber	DATE: 12-14-83
APPD: MFB	DATE: 12-14-83
APPD: W. M. ...	DATE: 12-14-83

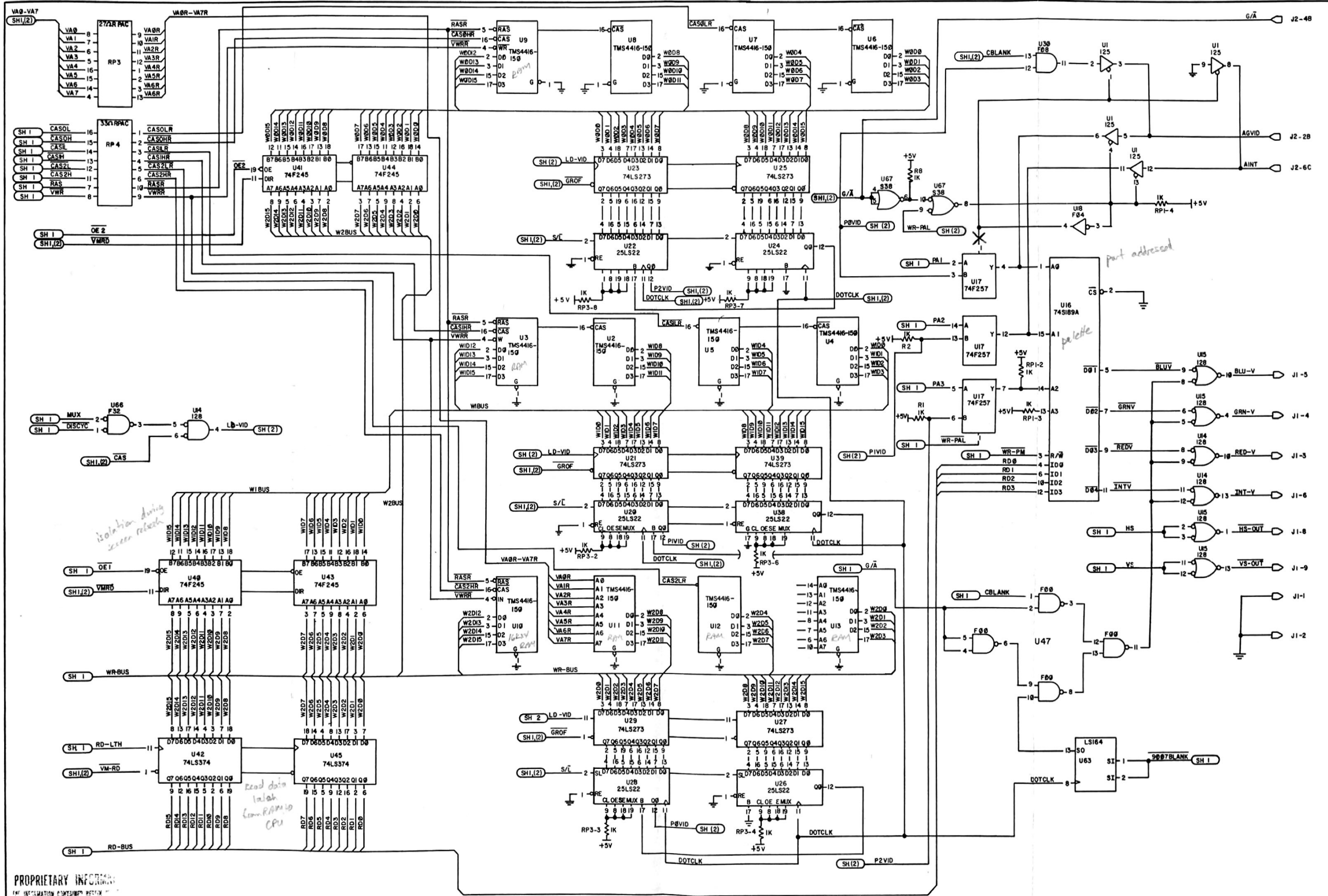
RELEASED FOR PRODUCTION

SCALE: 1 OF 2

DWG NO: 8000195

REV: D

tandy



PROPRIETARY INFORMATION
 THE INFORMATION CONTAINED HEREIN IS UNCLASSIFIED
 DATE 08-14-2018 BY 60322 UCBAW/SJS