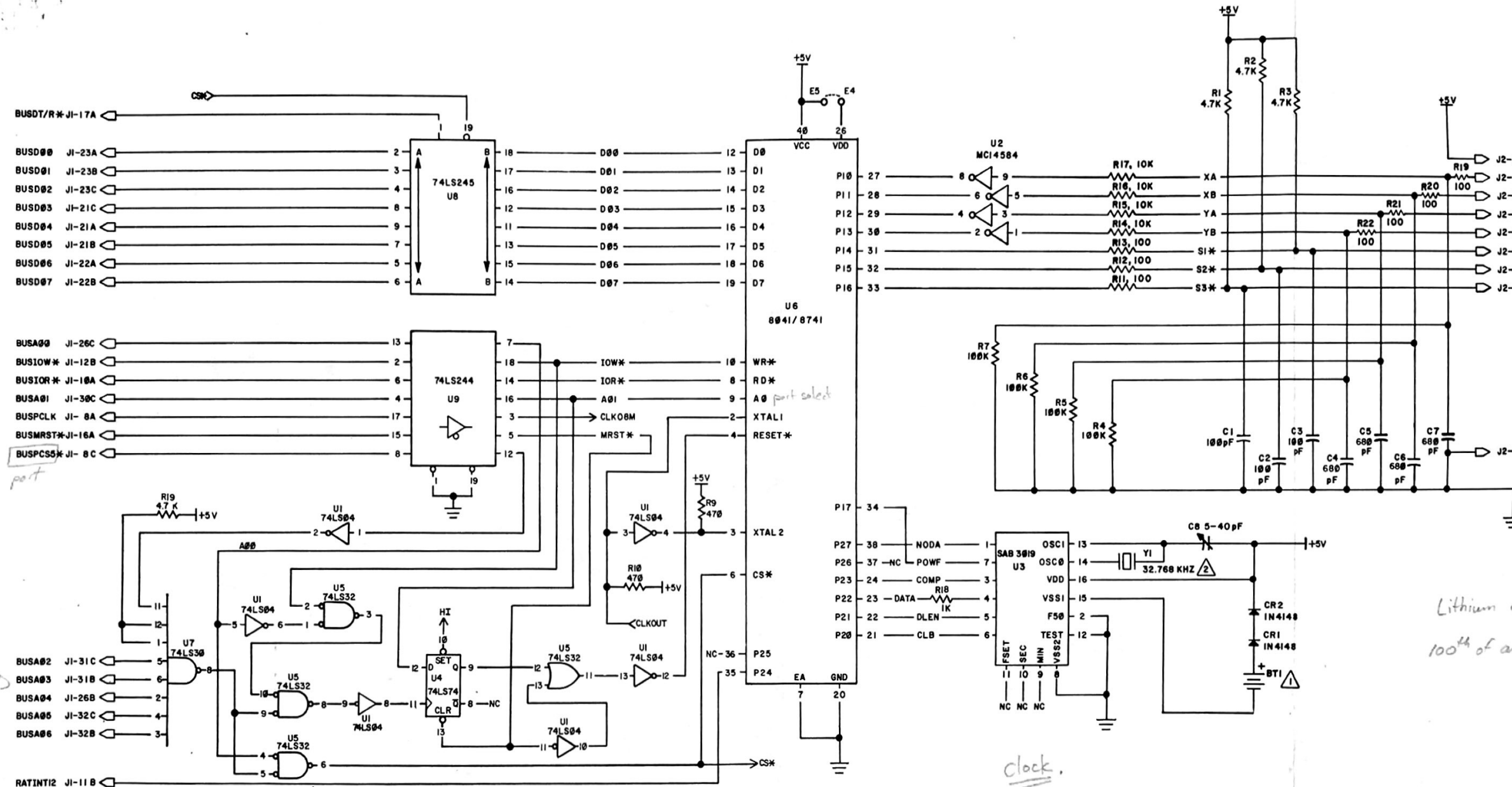
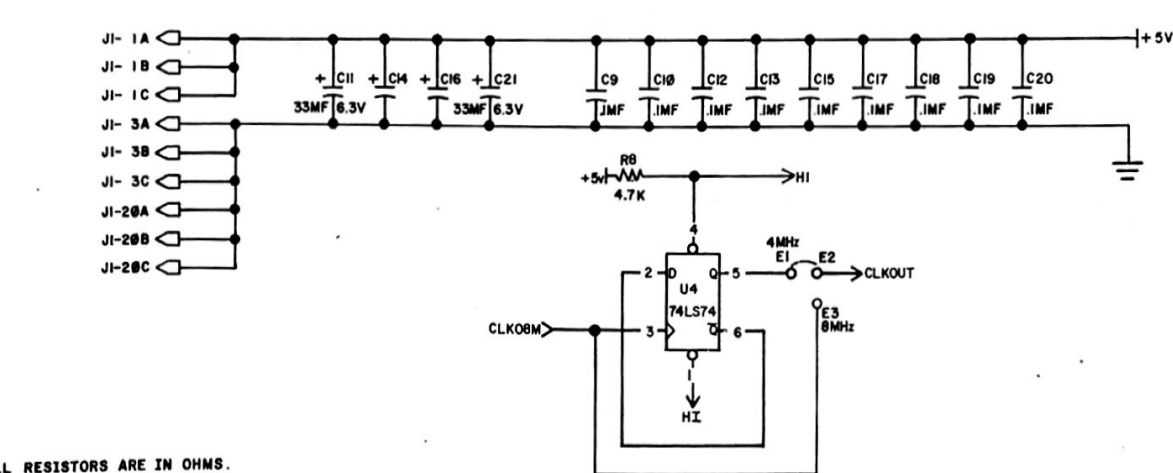


ZONE	LTR	REVISION DESCRIPTION	DATE	APPROVED
		RELEASED FOR PRODUCTION	Jan 12/83	
A		REVISED PER TCO NO. 215	ag 2-23-84	



Lithium cell used for clock
 100th of an inch rotational distance
 = one "mickey"



IF U6 IS:	8041	8741
THEN JUMPER	E1-E3	E1-E2 E4-E5

- 3 ALL RESISTORS ARE IN OHMS.
- 2 CRYSTAL Y1 SHOULD LIE FLAT; ATTACH GROUND TO CASE AS REQUIRED.
- BT1 BATTERY IS 3.0V LITHIUM COIN CELL, TYPE 2320, RADIO SHACK CAT. NO. 23-163.
- BT1 HOLDER IS MEMORY PROTECTION DEVICES, INC., P/N 8H906.

NOTES (UNLESS OTHERWISE SPECIFIED):

RELEASED FOR PRODUCTION
 REF. DRILL PLAN 1700251 REV - A

PROPRIETARY INFORMATION
 THE INFORMATION CONTAINED HEREIN IS PROPRIETARY AND IS EXCLUSIVE PROPERTY OF TANDY CORPORATION. NO REPRODUCTION OF ANY KIND MAY BE MADE WITHOUT THE EXPRESS WRITTEN AUTHORIZATION OF TANDY CORPORATION, 1000 TWO TANDY CENTER, FORT WORTH, TX 76102.

DATE	TITLE	SCALE	SHEET	OF
12-2-83	SCHEMATIC - CALENDAR/CLOCK INTERFACE		1	1
2-2-83				
2-2-83				

PROJECT J507



UWID NO	8000215	SIZE	D
SCALE		SHEET	1