

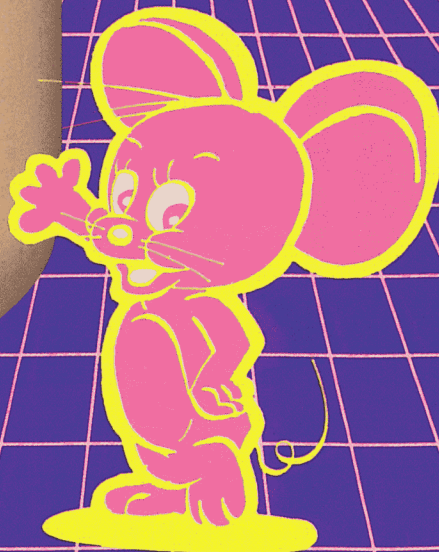
ARTEC MOUSE



AM-21

HIGH SPEED &
HIGH RESOLUTION

ARTEC

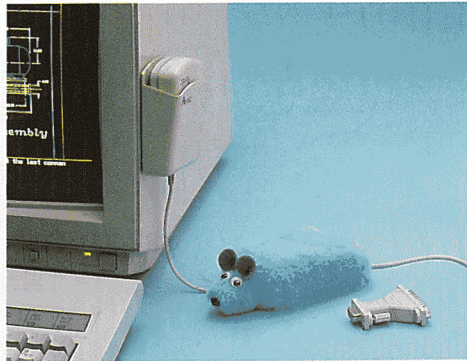




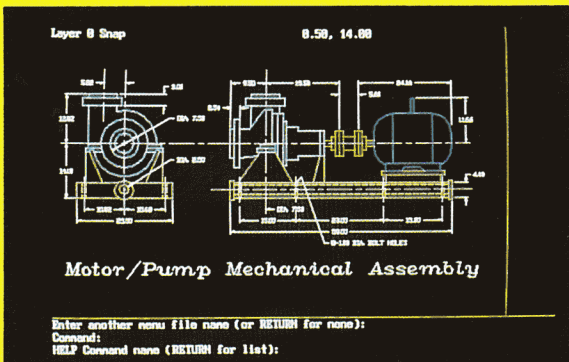
ARTEC MOUSE

AM-21

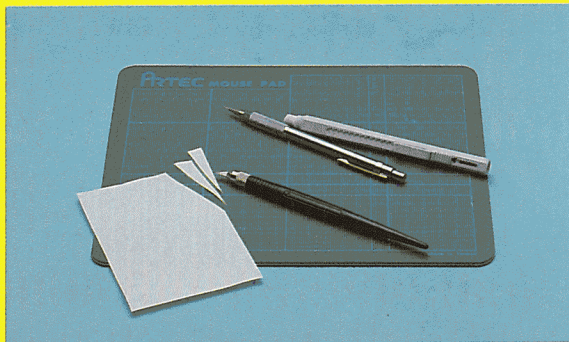
HIGH SPEED &
HIGH RESOLUTION



MOUSE COAT
MOUSE POCKET
9-25 PIN CONNECTOR ADAPTER



Dr. HALO PLUS



CUTTING PAD

ARTEC MOUSE AM-21 SPECIFICATION

- | | |
|----------------------------|--|
| Technology | : Optical Rotary Encoder |
| High Resolution | : 356 counts per inch |
| High Tracking Speed | : 1050 mm / sec |
| Total Current less | : No external power required 10 mA / DC |
| I / O Level | : RS-232-C |
| Baud Rate | : 1200 baud |
| Silicon Rubber Coated Ball | : 22 mm |
| Long lifetime | : 1000 miles rotation |
| Buttons | : 3 buttons |
| Switches | : 1 million cycle life |
| Long Cable | : 200 cm |
| Connectors | : DB 9-to-25 Pin female adapter
DB 9-to-25 Pin female adapter |
| Protocol | : Mouse System Mouse and Microsoft Mouse compatible |
| Protocol select | : Hardware Switch (any time select) |
| size | : Mouse 9.8cm * 6.6cm * 2.9cm Cutting Pad 23cm*19cm*3.0mm |
| Weight | : Mouse 185g (W / cable & connector) Cutting Pad 173g |

CONTENTS

PACKING MODEL	MOUSE	CUTTING PAD	DRIVER & TEST PROGRAM	MOUSE MANUAL	DR. HALO PLUS PROGRAM ×3PCS	DR. HALO PLUS PROGRAM MANUAL	9-25PIN CONNECTOR ADAPTER	MOUSE POCKET	MOUSE COAT
AM-21	✓		✓	✓					
AM-21 PLUS	✓	✓	✓	✓	✓	✓	✓	✓	✓



ULTIMA ELECTRONICS CORP.

2FL NO.25, Chung-Hua Rd., Sec.1, Taipei, Taiwan, R.O.C.
Tel:(02)3810711(12 Lines) Fax:886-2-3143785,3141170
Telex:13329 Sherryco
USA BRANCH OFFICE
1245 Reamwood Avenue, Sunnyvale CA. 94089 U.S.A.
Tel:(408)7349208 Fax:(408)7349207

All of the names of products and software mentioned above are registered trademarks of their owners.