

uniden **BARACAT**

40 CHANNEL RADIO SCANNING SYSTEM

210 XLT

AUTO

SQUELCH

OFF

VOLUME



uniden[®]
Bearcat[®]

BC 210_{XLT}



**40 CHANNEL
SCANNING RADIO**

- 2 BANKS
- 40 CHANNELS
- 11 BANDS
- CRYSTAL FREE
- DIGITAL DISPLAY
- CHANNEL LOCKOUT
- TRACK TUNING
- DIRECT CHANNEL ACCESS
- CUSTOM ANTENNA

OPERATING INSTRUCTIONS

INSTALLATION

Welcome to the world of computerized radio scanning. The Uniden Bearcat 210XLT is the result of years of research and development, and incorporates many unique, state of the art design concepts. The BC 210XLT uses the most recent technological advances to satisfy the highest performance standards. The custom integrated circuits, microprocessor, and other components have been designed to give the 210XLT professional quality performance.

Uniden, one of the world leaders in radio scanners, has designed and manufactured this unit to give you years of trouble free use. We are confident you will be proud to own the BC 210XLT and to insure that you get the most out of all the features, please read this operating guide completely before using your scanner.

Your BC 210XLT has been certified in accor-

dance with FCC Rules and Regulations Part 15 as of the date of manufacturing.

Insert the connector end of the antenna provided into the receptacle on back of the unit.

An external antenna may be helpful in fringe areas. Always use 50-70 ohm coaxial cable for lead-in. For lengths in excess of 50 feet, RG8AU low-loss foam dielectric coax is recommended. Your scanner is equipped with a standard automotive type connector. You may need an adaptor (optional) or other type of mating plug for proper connection.

WARNING

Uniden Corporation does NOT represent this unit to be WEATHERPROOFED. To reduce the risk of electrical shock, fire hazard, or damage to the unit, do not expose to rain or moisture.

CAUTION

RISK OF ELECTRIC SHOCK.
DO NOT OPEN.

CAUTION: TO REDUCE THE RISK OF ELECTRIC SHOCK, DO NOT REMOVE COVER (OR BACK). NO SERVICEABLE PARTS INSIDE. REFER SERVICING TO QUALIFIED SERVICE PERSONNEL.



The lightning flash with arrowhead symbol, within an equilateral triangle, is intended to alert the user to the presence of uninsulated "dangerous voltage" within the product's enclosure that may be of sufficient magnitude to constitute a risk of electric shock to persons.



The exclamation point within an equilateral triangle is intended to alert the user to the presence of important operating and maintenance (servicing) instructions in the literature accompanying the appliance.

Certified in accordance with FCC Rules and Regulations Part 15.63 as of date of manufacture.

Unpacking Your Unit

Carefully remove the unit from the shipping carton and check the contents against the following list:

- Uniden Bearcat 210XLT
- Power Cord
- Antenna
- Antenna Holder
- Operating Guide (read it and save)

Product Registration Card (fill in and mail)

If any of these items are missing or if there are signs of physical damage, DO NOT attempt to operate the unit. Notify your dealer or shipping carrier immediately.

NOTE: Keep the shipping carton and packing materials, as well as all the printed material. This carton serves as an excellent method to transport your new scanner for service or any other reason.

CONTROLS AND FUNCTIONS



On/Off Volume Control—Turns the receiver power on or off, and also varies the audio output level.

Squelch—Rotary control is used to silence back-ground noise. The radio should be squelched (silent) when no signal is present. Turn the control clockwise to receive more distant (weaker) signals. Turn the squelch control to "Auto" for a preset level that allows all clear signals to be received.

Rear Panel Controls

Antenna Connector—Insert the Antenna into the opening, and adjust to the desired angle.

AC Power Connector—Connect the power cord by inserting the plug fully into the opening.

DC Power Connector—For use when mobile installation is desired.

External Speaker Jack—For use when external speaker is desired.

Front Panel Controls

Vacuum Florescent Display—The 8 digit display shows channel number, frequency, and indicates the operational mode of the unit.

Scan Key—Press to scan all channels programmed into memory.

Manual Key—Stops the scan function, steps scanner through channels in sequence, and allows direct channel access.

Lockout Key—Locks out the reception of signals on any selected channels during scan mode. Press to activate, press again to deactivate.

Delay Key—Press to add a 2 second pause at the end of a transmission before scanning begins. Press again to deactivate.

Priority Key—Press to activate the priority feature on channel 1. The scanner will check channel 1 for activity every 2 seconds no matter what mode it is in. If a transmission is present the scanner will stay on channel 1 until the transmission is over. Press again to deactivate.

CONTROLS AND FUNCTIONS

Hold Key—Press to stop the Search function. The Hold key will also step up through the Search frequencies. Press the Search key to restart.

WX—Searches all seven NOAA weather frequencies until locking on the one actively broadcasting in your area.

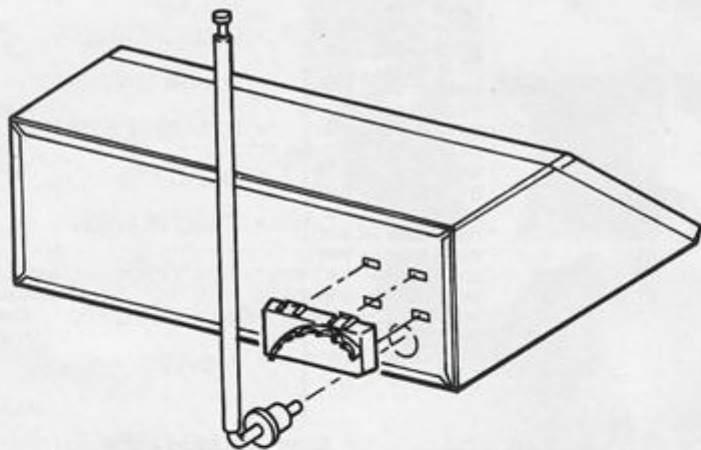
20 Key—Activates or deactivates the frequencies stored in the first 20 locations in memory. This is the first "Bank" of memory.

40 Key—This activates or deactivates the second Bank of memory, which includes the locations 21-40.

Limit Key—Use the Limit key to enter the upper and lower limits of the search. The Limit key will also step down through the Search frequencies.

Search Key—Press to activate the Search mode.

Numeric keys "0-9" and decimal point "."—Used to program frequencies or Search limits. "E" enters frequencies into any of the forty channels.



Insert antenna holder into slots and push to secure. Adjust the angle of the antenna according to your needs.

OPERATION

Now that you are familiar with the controls and their functions you are ready to use your scanner. The following instructions illustrate the operation of your BC 210XLT. Please read each section thoroughly before attempting to program your scanner. Each section explains a function and then shows the key strokes involved in that function.

NOTE: If you know the exact frequencies you wish to scan, proceed with the "PROGRAMMING" section. If you do not know the frequencies (i.e., police, fire, weather, etc.) you wish to scan, check with your dealer. Uniden produces the Betty Bearcat Frequency Directory — the most complete up-to-date reference of frequencies ever. The book is available in an Eastern and Western edition. Uniden also makes available Local Frequency Lists for your area. See the "ACCESSORIES" section of the guide for more information.

Programing your scanner

Turn the unit on and press the "1" key followed by the "MANUAL" key. This will bring the scanner to channel 1 in the manual mode. Press the number keys for the desired frequency. Remember to press the "." key whenever there is a decimal point in the frequency. As each key is pressed the display will show that digit. After the digits of the frequency are reviewed, press the "E" key to enter that number into channel 1. Press the "MANUAL" key to advance to channel 2. Continue this procedure until all channels are programmed.

1. To program 162.550 into channel 1:

1 — **MANUAL**

1 6 2 . 5 5 E

[final zeros to the right of the decimal point will be entered automatically.]

the display will show:

1 162.550

2. To program 471.2375 into channel 5:

5 — **MANUAL**

4 7 1 . 2 3 7 5 E

[rounded off to 3 places.]

the display will show:

5 471.237

If you attempt to enter a frequency outside the range of the BC 210XLT, the display will show an "Error". If this ever happens simply enter the correct number. You may omit the decimal point when entering frequencies in the VHF high band (136-174 MHz) and UHF (406-420 and 450-512 MHz). The BC 210XLT has been designed to automatically enter trailing zeros on these bands. ON LOW BAND (29-54 MHz), YOU MUST PRESS THE DECIMAL POINT or an "Error" will appear.

OPERATION

Squelch

The squelch function controls the sensitivity of the receiver. It adjusts the level at which the scan mode will stop to receive a transmission on any frequency. Rotate the "SQUELCH" control clockwise until you hear background noise and then turn it back counter clockwise until the noise is silenced. This will set the scanner to receive any transmission above the level of background noise. You can adjust the squelch level to pick up more distant signals by turning it clockwise, or less distant signals by turning it back.

Manual channel selection

If you wish to select a channel manually, press and release the "MANUAL" key until that channel number appears in the display. You can also press the channel number and then the "MANUAL" key to directly access that channel.

Lockout

There may be times when you wish to skip over a channel that you have programmed into your BC 210XLT. Any number of channels can be "Locked out" so that the scanner skips over them. To lock out a channel, select the channel number you wish to skip over. Press the "L/O" key. The indication "L/O" will appear in the display whenever that channel number appears. To cancel the lockout mode simply press the "L/O" key when that channel number appears.

"Bank" Keys (20, 40)

The memory capabilities of the BC 210XLT are divided into two Banks — Channels

1-20, and 21-40. You can scan either or both banks by using the 20, or 40 key.

Scan

To scan the channels programmed in memory, press the "SCAN" key. The channels will automatically scan at the rate of approximately 15 channels per second. As the unit scans, the channel digits in the display will advance rapidly, indicating the scanning mode. In order to stop the scan mode a transmission must be present on one of the programmed frequencies. The squelch control must also be set so that the transmission will "break squelch" and stop the scan. You can also stop scanning by pressing the "MANUAL" key.

Delay

The BC 210XLT can be programmed to pause for about 2 seconds after a transmission ends on any channel. This is useful in preventing the continuation of scanning when there is a slight pause in a transmission. It is also useful when both sides of a conversation are occurring on the same channel. Press the "DLY" key when the desired channel(s) appear. Press again to deactivate.

Search

The BC 210XLT will search for unknown signals between two frequency limits within the same band. The Frequency Allocation listing in the back of this guide will give you an indication of what to expect in each band. To Search for these unknown signals select the low frequency limit and press the "LIMIT" key. Select the high frequency and press the "LIMIT" key

OPERATION

again. Press the "SEARCH" key to start searching.

Select the low limit:

MANUAL

1 6 2 . 5 5

LIMIT ▼

Select the high limit:

1 7 0 . 5 0

LIMIT ▼

SEARCH

The display will selectively show the ascending frequencies as they are tested for activity. If a signal is found the search will stop until the transmission ends. Write down the active frequencies you may want to program into the Scan memory. You may also program a Search frequency directly into the channel the unit is on. When a Search frequency is found press

the "HOLD" key to stop the Search and press the "ENTER" key. That frequency will be programmed into the current channel. Press the "SEARCH" key to continue.

The Hold key allows you to stay on a frequency after it has gone off the air. It also steps up to the next frequency for a manual Search. Press the "LIMIT" key to manually Search down to the last frequency. Press the "SEARCH" key to resume searching or press the "MANUAL" key to exit the Search mode.

Priority

The Priority feature allows you to keep track of an important frequency on channel 1 while performing other functions on the scanner. Program the important frequency in channel 1 and press the "PRIORITY" key. Every 2 seconds the scanner will check that channel for activity. If it is inactive the scanner will return to its present function. If it is active the scanner will stay on channel one to allow monitoring of the transmission. When the signal goes off air the scanner will return to its present function. Press the "PRIORITY" again to deactivate it.

Communications between aircraft and airport control towers can be found between 118 – 136 MHz.

HELPFUL HINTS

The following hints are provided to help you fully enjoy your new scanner. By reading this entire guide, including this section, you will better understand and enjoy your new BC 210XLT.

1. Always remember to press the enter key when programming a frequency. If the enter key is not pressed the frequency will not be programmed into that channel. It is a good idea to review the frequency in the display before pressing the Enter key.
2. If you ever need to ship the unit, be sure to remove the antenna and place it and the unit in the original styrofoam inner packing and box. One of the most common causes of damage to electronic products is improper packing when shipping.
3. The BC 210XLT never sleeps — its memory is always active even though the power is turned off. The BC 210XLT also has a built in capacitor which will protect frequency storage for at least seven days.
4. Receiver sensitivity is affected by the location of the antenna and the environment that the unit is used in. Best reception will occur when the unit is placed on a level metal surface with the antenna pointing up. Placing the unit close to a window will also provide better reception.
5. Receivers, such as the BC 210XLT, which have broad tuning ranges are subject to interference from internally generated signals ("Birdies") on a few receiver frequencies. On these frequencies, reception of external signals may be impaired. Nothing is wrong with your scanner if this kind of interference occurs, unless it happens on a large number of frequencies.

TROUBLE SHOOTING

If your BC 210XLT is not performing up to your expectations, please try these simple steps. If you still cannot get satisfactory results after reading this guide thoroughly

and following the trouble shooting steps, you may need to send your unit in for service.

TROUBLE

CHECK

Unit will not turn on/
no power

1. Power is off — turn the volume control on
2. Check power cord at both ends for proper connection

No reception/poor reception

1. Antenna is not correctly installed — check connector
2. Environment is not suitable for scanner — relocate unit and try again
3. Frequencies are not properly programmed — check and reprogram
4. Power cord is not plugged in

"Error" appears in display

1. Programing error — check frequency and try again

If you determine that service is necessary, remove the antenna from the unit and make sure it is turned off. Pack the scanner in the original packing material and carton. Send it along with a brief, concise descrip-

tion of the problem, your name, address, phone number and a copy of your purchase receipt to the address listed in the warranty.

OPTIONAL ACCESSORIES

The following accessories are available for use with your BC 210XLT. Check with your local dealer or call the Uniden Parts Department: 1-317-842-1036 M-F 9am-5pm EST.

Model PS-001 Vehicle Power Cord. Plugs into vehicle cigarette lighter socket to power your BC 210XLT.

Model MB 001 Mobile Mounting Bracket. Used to mount the BC 210XLT under the

dash. NOTE: The use of scanners in a vehicle may be illegal in some areas. Check with local authorities for information.

Model BC FB-E Betty Bearcat Frequency Directory Eastern USA Edition

Model BC FB-W Betty Bearcat Frequency Directory Western USA Division

uniden BEARCAT BC 210XLT PRODUCT REGISTRATION CARD

Thank you for choosing a Uniden® Personal Communications product. You have chosen one of the most sophisticated, technologically advanced electronic products available. Please fill out the requested information on this card so that we can better understand our customers and their needs. With this information we can plan new products, advertising, and guide our customer service programs. Thanks for your help.

1. Mr. 2. Mrs. 3. Ms. 4. Miss

5. First Name

6. Initial

7. Last Name

8. Street

9. Apt. No.

10. City

11. State 12. Zip

13. Date of Purchase:

Mo.	Day	Yr.
-----	-----	-----

14. Serial No.

15. Is this the first scanner you have purchased or received as a gift?

YES NO

16. If NO, please specify brand and model number purchased.

A. _____
B. _____
C. _____

17. Where did you purchase the product?

- Department Store
- Discount Store
- Catalog Showroom
- Electronics Specialty Store
- Local Electronics Dealer
- Mail Order
- Gift
- Truck Stop

18. How did you become aware of this product?

- TV Advertisement
- Magazine Advertisement
- Newspaper Advertisement
- Store Display
- Friend's Recommendation
- Salesperson's Recommendation
- Previous Use

19. Please check two of the factors that most influenced your purchase of this product.

- Style or Appearance
- Price
- Uniden Reputation
- Warranty
- Previous Use
- Features
- Quality

20. Please check your age category

- Under 20
- 20-25
- 26-30
- 31-35
- 36-40
- 41-45
- 46-50
- 51-55
- 56-60
- 61-65
- 66 & Over

21. Occupation

- Homemaker
- Teacher/Educator
- Professional Driver
- Executive/Administrator
- Civil Servant
- Sales/Marketing
- Clerical
- Farmer/Agriculture
- Military
- Technical/Professional
- Business/Professional
- Craftsworker
- Machine Operator/Laborer
- Retired
- Student

22. Please check your approximate family income.

- Under \$10,000
- \$10,000-19,999
- \$20,000-29,999
- \$30,000-39,999
- \$40,000-49,999
- \$50,000-59,999
- \$60,000 & Over

ORANGE 100% RECYCLED PAPER

PLACE
FIRST CLASS
STAMP
HERE

uniden®

4700 Amon Carter Boulevard
Fort Worth, Texas 76155

ATTN: PC MARKET RESEARCH DEPARTMENT

Please do not send any products or service related correspondence to this address

Please fold here

23. What types of credit cards do you use?

- American Express, Diners Club, Carte Blanche
- Bank Card (Master Card, Visa, etc.)
- Gasoline Card. Name _____
- Department Store Card
- None of the above

24. What type of car(s) do you drive?

- Compact
- Mid Size
- Sports
- Full Size
- Station Wagon
- Van
- Recreation Vehicle
- Specialty
- Motor Cycle
- Pick Up

25. What magazine(s) do you read?

- Road & Track
- Car & Driver
- Motor Trend
- Auto Week
- American Trucker
- Road King
- Playboy
- Sports Illustrated
- Penthouse
- Time
- Newsweek
- Popular Science
- Popular Mechanics
- Consumer Reports
- People

Thank you for taking the time to complete this questionnaire. If you have any other comments or suggestions please write to:

UNIDEN AMERICA CORPORATION
Product Development Dept.
4700 Amon Carter Boulevard
Fort Worth, Texas 76155
317-842-2483

© 1989 Uniden America Corporation

Printed in The Philippines

INSTRUCTIONS: Fill out both sides of card. Cut out on dashed line.
Fold on dotted line. Fold over flap and seal with glue or paste.
Affix postage and mail.

Please fold here

FREQUENCY ALLOCATIONS

Because of the short-range nature of VHF and UHF FM communications, frequencies allocated to services in one geographical location will not be heard more than 25-50 miles distance (an exception is "skip", when signals bounce back to earth from the ionosphere). For this reason, a separate frequency directory must be compiled for each monitoring area.

Most standard frequency separations and classifications are regulated in the United States by the FCC.

Block allocations...and even some discrete frequencies...covered by your scanner are shown below. These are not necessarily active in your area.

ABBREVIATIONS

Police	PD.	35.74-35.98	Sp. Ind. & Bus.
State Police	St. PD.	36.00-37.00	Govt.
Fire Department	FD.	37.02-37.44	FD., PD. & L. Govt.
Special Emergency	Sp. Emer.	37.45-37.86	Power
Highway Maintenance	Hwy.	37.90-37.98	Hwy. & Sp. Emer.
Forestry-Conservation	Fors. Cons.	38.00-39.00	Govt.
Government	Govt.	39.02-39.98	PD., L. Govt.
Local Government	L. Govt.	40.00-42.00	Govt.
Business Radio	Bus.	42.02-42.94	St. PD.
Manufacturers	Mfg.	42.96-43.18	Sp. Ind. & Bus.
Broadcast Remote	BC. R	43.22-43.68	Mob. Tel., Page
Mobile Telephone	Mob. Tel.	43.70-44.60	Trucks, Bus.
Radio Paging	Page	44.62-45.06	St. PD., Fors. Cons.
Special Industrial	Sp. Ind.	45.08-45.66	PD.
Motion Picture	Mot. P.	45.68-46.04	PD., Hwy. Sp. Emer.
Power Utilities	Power	46.06-46.50	FD.
Petroleum	Pet.	46.52-46.58	PD., L. Govt.
Forest Products	For. Prod.	46.60-47.00	Govt.
Railroad	R.R.	47.02-47.40	St. Hwy.
Automobile Emergency	Auto Emer.	47.42-	Red Cross
Red Cross		47.44-47.68	Sp. Ind., Sp. Emer.
U.S. Weather Bureau	U.S.W.B.	47.70-48.54	Power
U.S. Coastal & Geodetic Survey	U.S.C.G.S.	48.56-49.58	L. Govt. Pet.
National Parks	Nat. Pk.	49.60-50.00	Govt.
Indian Affairs		50.00-54.00	HAM

118-174 MHz BAND

29.00-29.70	10 HAM	118.000-135.975	Aero
29.70-29.80	For. Prod.	136.000-144.000	Govt.
29.80-30.00	Aero	144.000-148.000	HAM
30.01-30.56	Govt.	148.010	MARS
30.56-30.62	Sp. Ind.	148.150	CAP
30.66-31.24	Ind. (Pet., Fors. Cons. Bus., For. Prod.)	148.155-148.250	MIL
31.26-31.98	Sp. Ind., Fors. Cons.	148.290-150.750	USN
32.00-33.00	Govt.	150.815-150.995	Bus.
33.02-33.16	Hwy. Sp. Emer., Bus.	151.010-151.130	Hwy.
33.18-33.38	Pet.	151.145-151.475	Fors. Cons.
33.42-33.98	FD.	151.505-151.595	Sp. Ind.
34.00-35.00	Govt.	151.625-151.955	Bus.
35.02-35.18	Bus.	151.985-152.240	Mob. Tel. (RCC)
35.22-35.66	Mob. Tel. & Page	152.270-152.450	Taxi
35.70-35.73	Bus.	152.480-152.840	Mob. Tel. & Page
		152.870-153.020	Sp. Ind., Mot. P.
		153.050-153.440	Pet. For. Prod.
		153.470-153.710	Power
		153.740-154.115	FD., L. Govt.
		154.130-154.445	FD.
		154.450-154.600	Sp. Ind., Pet., Bus.

FREQUENCY ALLOCATIONS

154.655-155.145	PD., L. Govt., St. PD.	460.650-462.175	Bus.
155.160-155.400	Sp. Emer., PD.	462.000-462.450	Taxi
156.045-156.240	L. Govt., Hwy. PD.	462.550-462.725	C.B.
156.275-157.425	Marine	462.750-462.975	Bus.
157.456-157.500	Auto Emer.	463.000-463.175	Medical
157.530-157.710	Taxi	463.200-464.975	Bus.
157.740-158.100	Mob. Tel. & Page	465.000-467.500	PD., FD., Sp. Ind., & Land Tr.
158.130-158.460	Power, For. Prod., Pet.	467.5375-467.7375	C.B.
158.490-158.700	Mob. Tel. (RCC)	467.7375-467.925	Pub. Safety, Ind., & Land Tr.
158.730-158.970	PD., L. Govt.		
158.985-159.210	PD., Hwy.		
159.225-159.465	Fors. Cons.		
159.510-160.200	Trucks		
160.215-161.565	R.R.		
161.600-162.000	Marine		
162.026-162.175	Bur. Recl.		
162.400	U.S.W.B.	470-476 TV	Channel 14
162.475	U.S.W.B.	476-482 TV	Channel 15
162.550	U.S.W.B.	482-488 TV	Channel 16
163.125	Indian Affairs	488-494 TV	Channel 17
163.175	Bur. Recl.	494-500 TV	Channel 18
163.275	U.S.W.B.	500-506 TV	Channel 19
163.388-163.538	MIL	506-512 TV	Channel 20
163.825-163.975	Govt.		
164.025-164.075	U.S.C.G.S.		
164.175-165.188	Fur. Recl., Nat. Pk., Govt., Agr. & For.		
169.300	FAA		
169.450-169.725	Nat. Pk., Ind., Data		
170.150	FD., BC. R.		
170.200-170.220	U.S.C.G.S.		
170.225-170.325	Ind., Land Tr.		
170.425-170.575	Fors. Cons.		
170.975-171.250	Govt., Sp. Ind. & Land Tr.		
171.388-172.725	Bur. Recl., Fors. Cons., Ind., Dept. Ag. & For. Govt.		
172.775	Nat. Pk.		
173.025	U.S.W.B.		
173.075	U.S.C.G.S.		
173.204-173.375	Press Relay, Mot. P., Pet., Bur. Recl.		
406-512 MHz BAND			
406.000-420.000	Govt.	470.0125-470.2875	Domestic Public (Base, Mob.)
420.000-450.000	HAM	470.3125-471.1375	Public Safety
450.050-450.950	Remote Br.	471.1625-471.2875	Reserve Pool A
451.000-451.150	Util.	471.3125-471.4125	Pwr., Tel. Maint.
451.175-451.750	For. Prod., Pet., Power, Tel. Maint.	471.4375-471.6375	PD., Spec. Ind.
451.775-451.975	Spec. Ind.	471.6625-471.7875	Reserve Pool B
452.000-452.500	Taxi, Motor Carrier & R.R.	471.8125-472.3375	Bus.
452.525-452.600	Auto Club	472.3625-472.4375	Taxi
452.625-452.975	BC. R., Motor Carrier & R.R.	472.4675-472.7875	R.R., Motor Carrier, Auto Emer.
453.000-453.975	L. Govt., PD., & FD.	472.8125-472.9875	Pet., For. Prod., Mfg.
454.000-454.975	Mob. Tel. & Page	473.0125-473.2875	Domestic Public
455.000-455.975	Remote Br.	473.3125-474.1375	Public Safety
456.000-458.975	PD., FD. Ind., Land Tr.	474.1625-474.2875	Reserve Pool A
459.000-459.975	Mob. Tel., Page, & Domestic Public	474.3125-474.4125	Power, Tel., Maint.
460.000-460.625	PD., FD.	474.4375-474.6375	Spec. Ind. (Mobile)
		474.6625-474.7875	Reserve Pool B
		474.8125-475.3375	Bus.
		475.3625-475.4375	Taxi
		475.4625-475.4875	R.R., Motor Carrier, Auto Emer.
		475.8125-475.9975	Pet., For. Prod., Mfg.

In some large metropolitan areas, 1 or 2 channels of the "TV Band" (470 MHz to 512 MHz) are used for communication purposes. Each TV station (channels 14 through 20) utilizes 6 MHz:

470-476 TV	Channel 14
476-482 TV	Channel 15
482-488 TV	Channel 16
488-494 TV	Channel 17
494-500 TV	Channel 18
500-506 TV	Channel 19
506-512 TV	Channel 20

Where these frequencies are assigned for communication purposes, in lieu of a TV station, the 6 MHz segment is allocated as shown here for channel 14 (470-476 MHz).

470.0125-470.2875	Domestic Public (Base, Mob.)
470.3125-471.1375	Public Safety
471.1625-471.2875	Reserve Pool A
471.3125-471.4125	Pwr., Tel. Maint.
471.4375-471.6375	PD., Spec. Ind.
471.6625-471.7875	Reserve Pool B
471.8125-472.3375	Bus.
472.3625-472.4375	Taxi
472.4675-472.7875	R.R., Motor Carrier, Auto Emer.
472.8125-472.9875	Pet., For. Prod., Mfg.
473.0125-473.2875	Domestic Public
473.3125-474.1375	Public Safety
474.1625-474.2875	Reserve Pool A
474.3125-474.4125	Power, Tel., Maint.
474.4375-474.6375	Spec. Ind. (Mobile)
474.6625-474.7875	Reserve Pool B
474.8125-475.3375	Bus.
475.3625-475.4375	Taxi
475.4625-475.4875	R.R., Motor Carrier, Auto Emer.
475.8125-475.9975	Pet., For. Prod., Mfg.

The same allocation pattern is repeated for each of the TV channels 14 through 20. For example, if channel 17 is assigned for communications in your area, "Taxi" would be 490.3625 to 490.4375 and 493.3625 to 493.4375 [corresponding to 472.3625 to 472.4375 and 475.3625 to 475.4375 above]. Note that in the example, we added three TV channels [18 MHz] to the channel 14 frequencies.

WARRANTY

ONE YEAR LIMITED WARRANTY

WARRANTOR: UNIDEN AMERICA CORPORATION ("UNIDEN")

ELEMENTS OF WARRANTY: UNIDEN warrants, for the duration of this warranty, UNIDEN Bearcat Scanners (hereinafter referred to as the Product) to be free from defects in materials and craftsmanship with only the limitations or exclusions set out below.

WARRANTY DURATION: This warranty shall terminate and be of no further effect one (1) year after the date of the original purchase of the Product or at the time the Product is (A) damaged or not maintained as reasonable or necessary, (B) modified, (C) improperly installed, (D) repaired by someone other than warrantor for a defect or malfunction covered by this warranty, (E) used in a manner or purpose for which the Product was not intended, or (F) sold by the original purchaser.

STATEMENT OF REMEDY: In the event that the product does not conform to this warranty at any time while this warranty is in effect, warrantor will repair

the defect and return it to you without charge for parts, service, or any other cost incurred by warrantor or its representatives in connection with the performance of this warranty. THIS WARRANTY DOES NOT COVER OR PROVIDE FOR THE REIMBURSEMENT OF PAYMENT OF INCIDENTAL OR CONSEQUENTIAL DAMAGES. Some states do not allow this exclusion or limitation of incidental or consequential damages so the above limitation or exclusion may not apply to you.

PROCEDURE FOR OBTAINING PERFORMANCE OF WARRANTY: In the event that the Product does not conform to this warranty, the Product should be shipped or delivered, freight prepaid, to warrantor at UNIDEN Customer Service Center, 9340 Castlegate Drive, Indianapolis, IN 46256 with evidence of original purchase.

LEGAL REMEDIES: This warranty gives you specific legal rights, and you may also have other rights which vary from state to state.

This warranty is void outside of the United States of America.

PAT. UNDER ONE OR MORE OF THE FOLLOWING U.S. PATENT NUMBERS:

3,873,924	3,883,808	3,951,261	3,962,644	3,974,452
3,987,400	3,996,521	3,996,522	4,000,468	4,027,251
4,057,760	4,092,594	4,100,497	4,114,103	4,123,715
4,157,505	4,179,662	4,219,821	4,270,217	4,398,304
4,409,688	4,455,679	4,461,036	4,521,915	4,627,100
		RE 31,523		

OTHER U.S. AND FOREIGN PATENTS PENDING

SPECIFICATIONS

Size:	10 ⁵ / ₈ w × 3 ¹ / ₂ h × 8d
Weight:	5 lbs.
Cabinet:	Vinyl coated metal case
Power:	120V AC 60 Hz or 13.8V DC
Antenna:	Telescopic antenna with custom antenna holder
RF Sensitivity:	Low band 0.3 μv for 12 dB SINAD Aircraft 0.8 μv for 12 db SINAD High band 0.3 μv for 12 dB SINAD UHF band 0.5 μv for 12 dB SINAD (typical midband, from 50 ohm source, E.I.A. method)
IF Selectivity:	-55 dB @ +/- 25 KHz
Audio Output:	2.2W at maximum output
Frequency Coverage:	29-29.7 MHz 10 M Amateur Band 29.7-50 MHz Low Band 50-54 MHz 6 M Amateur Band 118-136 MHz Aircraft 136-144 MHz Military Land Mobile 144-148 MHz 2 M Amateur Band 148-174 MHz High Band 406-420 MHz Fed. Gov't Mobile 420-450 MHz ¾ M Amateur Band 450-470 MHz UHF Band 470-512 MHz "T" Band
Scan Speed:	15 channels per second
Channels:	40
Delay:	2 seconds (selectable)
Lockout:	Any channel(s) (selectable)
Display:	Vacuum Fluorescent Decimal

Specifications are subject to change without notice.

IMPORTANT SAFEGUARDS

Electrical energy can perform many useful functions. This product has been designed and manufactured to assure your personal safety. Improper use can result in potential electrical shock or fire hazards. Please carefully read all safety and operating instructions before installation and use. Keep these instructions handy for future reference. Take special note, and adhere to all warnings on the unit and in the instruction and safety manual.

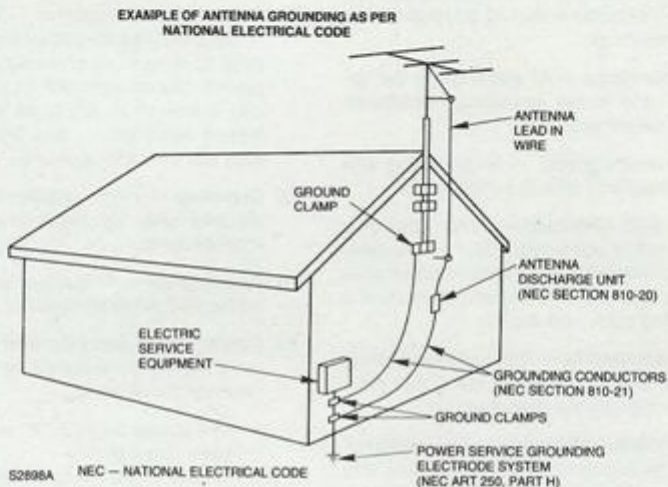
- 1. Read Instructions** — All the safety and operating instructions should be read before the appliance is operated.
- 2. Retain Instructions** — The safety and operating instructions should be retained for future reference.
- 3. Heed Warnings** — All warnings on the appliance and in the operating instructions should be adhered to.
- 4. Follow Instructions** — All operating and use instructions should be followed.
- 5. Water and Moisture** — The appliance should not be used near water — for example, near a bathtub, washbowl, kitchen sink, laundry tub, in a wet basement, or near a swimming pool, and the like.
- 6. Carts and Stands** — The appliance should be used only with a cart or stand that is recommended by the manufacturer.
- 7. Wall or Ceiling Mounting** — The appliance should be mounted to a wall or ceiling only as recommended by the manufacturer.
- 8. Ventilation** — The appliance should be situated so that its location or position does not interfere with its proper ventilation. For example, the appliance should not be situated on a bed, sofa, rug, or similar surface that may block the ventilation openings; or, placed in a built-in installation, such as a bookcase or cabinet that may impede the flow of air through the ventilation openings.
- 9. Heat** — The appliance should be situated away from heat sources such as radiators, heat registers, stoves, or other appliances (including amplifiers) that produce heat.
- 10. Power Sources** — The appliance should be connected to a power supply only of the type described in the operating instructions or as marked on the appliance.
- 11. Grounding or Polarization** — The precautions that should be taken so that the grounding or polarization means of an appliance is not defeated.
- 12. Power-Cord Protection** — Power-supply cords should be routed so that they are not likely to be walked on or pinched by items placed upon or against them, paying particular attention to cords at plugs, convenience receptacles, and the point where they exit from the appliance.
- 13. Cleaning** — The appliance should be cleaned only as recommended by the manufacturer.
- 14. Power Lines** — An outdoor antenna should be located away from power lines.
- 15. Damage Requiring Service** — The appliance should be serviced by qualified service personnel when:
 - A. The power-supply cord or the plug has been damaged; or
 - B. Objects have fallen, or liquid has been spilled into the appliance; or
 - C. The appliance has been exposed to rain; or
 - D. The appliance does not appear to operate normally or exhibits a marked change in performance; or
 - E. The appliance has been dropped, or the enclosure damaged.
- 16. Non-use Periods** — The power cord of the appliance should be unplugged from the outlet when left unused for a long period of time.
- 17. Object and Liquid Entry** — Care should be taken so that objects do not fall and liquids are not spilled into the enclosure through openings.

Please see reverse side for more details.

18. **Outdoor Antenna Grounding** — If an outside antenna is connected to the receiver, be sure the antenna system is grounded so as to provide some protection against voltage surges and built up static charges. Section 810 of the National Electrical Code, ANSI/NFPA No. 70-1984, provides information with respect to proper grounding of the mast and supporting structure, grounding of the lead-in wire to an antenna dis-

charge unit, size of grounding conductors, location of antenna-discharge unit, connection to grounding electrodes, and requirements for the grounding electrode. See Figure below.

19. **Servicing** — The user should not attempt to service the appliance beyond that described in the operating instructions. All other servicing should be referred to qualified service personnel.



uniden®

NOTICE FOR ALL UNIDEN SCANNER PRODUCTS

The installation, possession or use of this scanning radio in a motor vehicle may be prohibited, regulated, or require a permit in certain states, cities, and/or local jurisdiction. Your local law enforcement officials should be able to provide you with information regarding the laws in your community.

D423066Z